

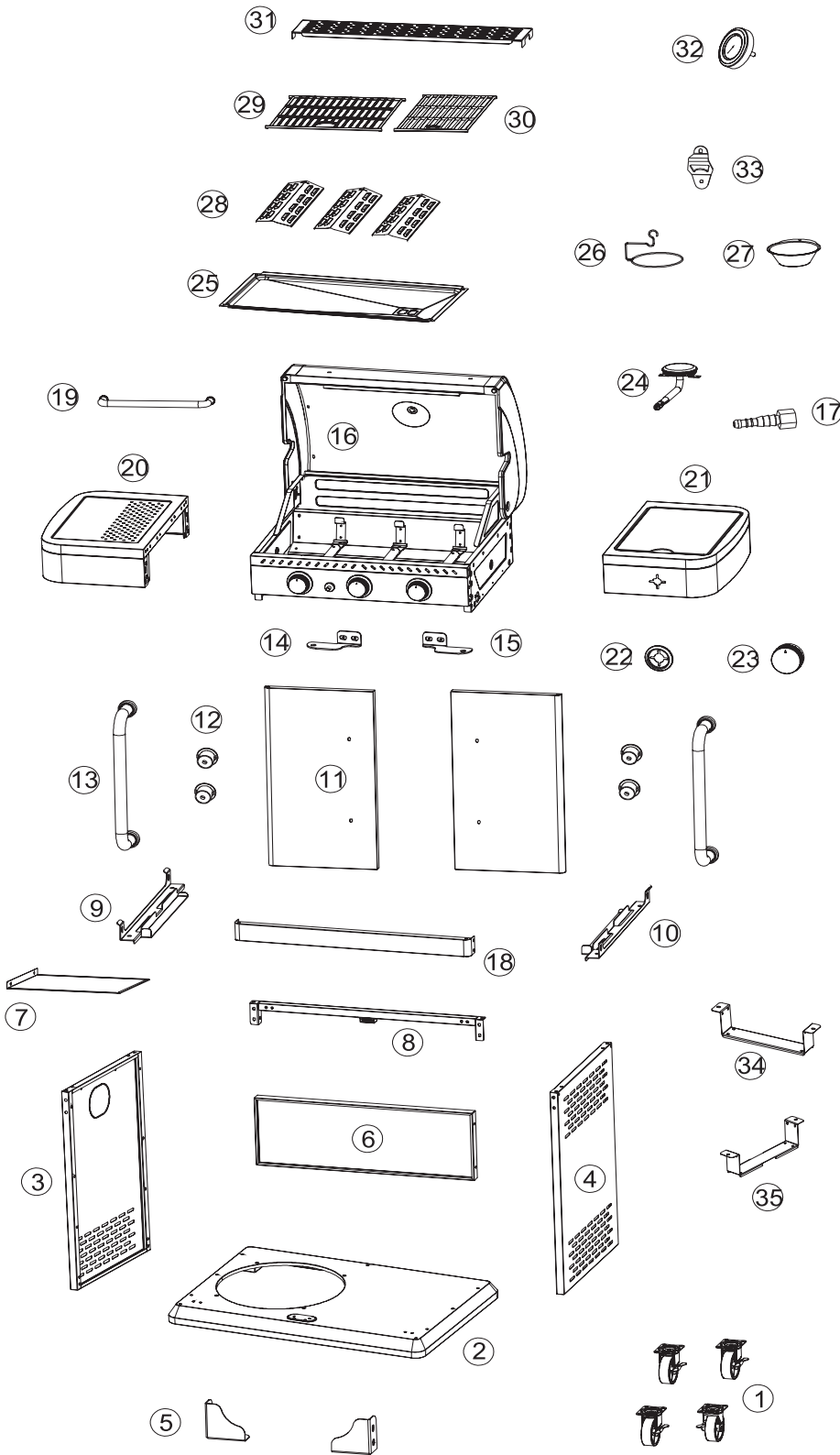
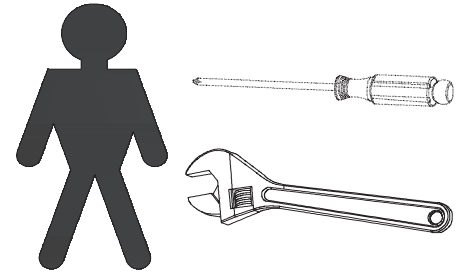
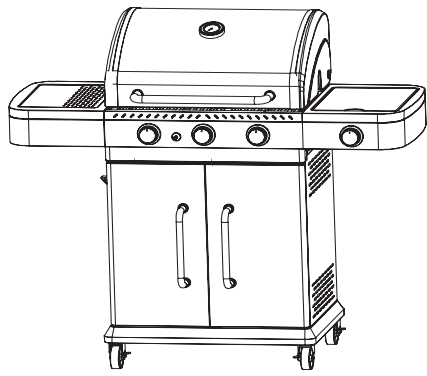
YATO



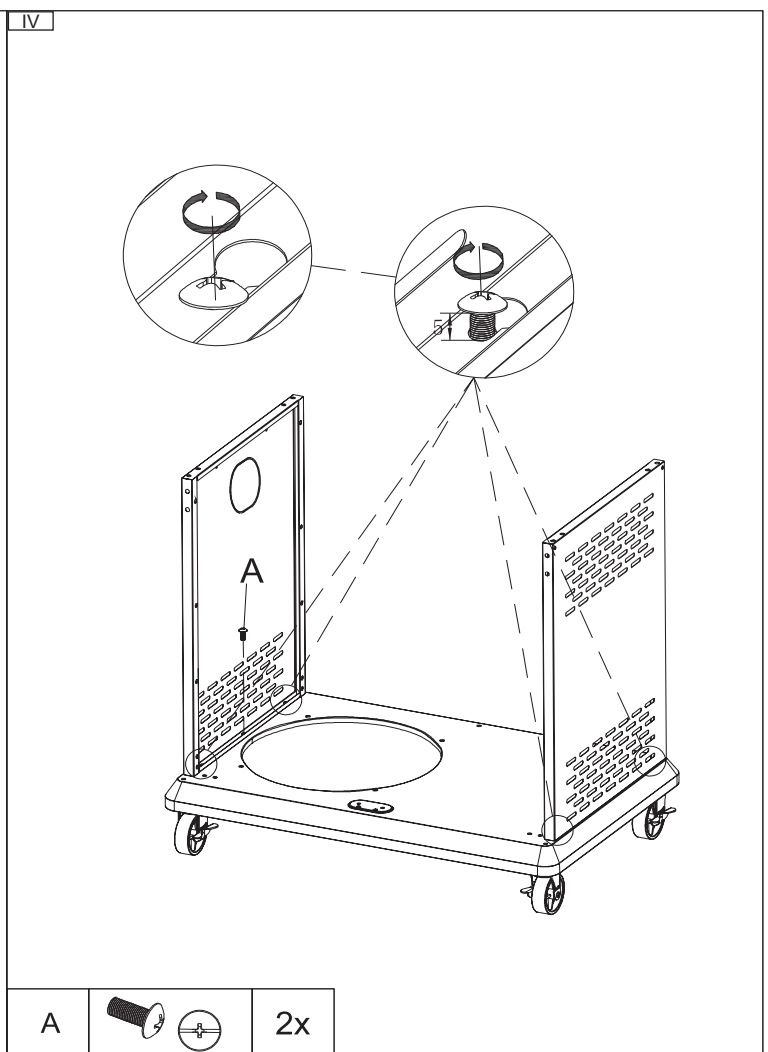
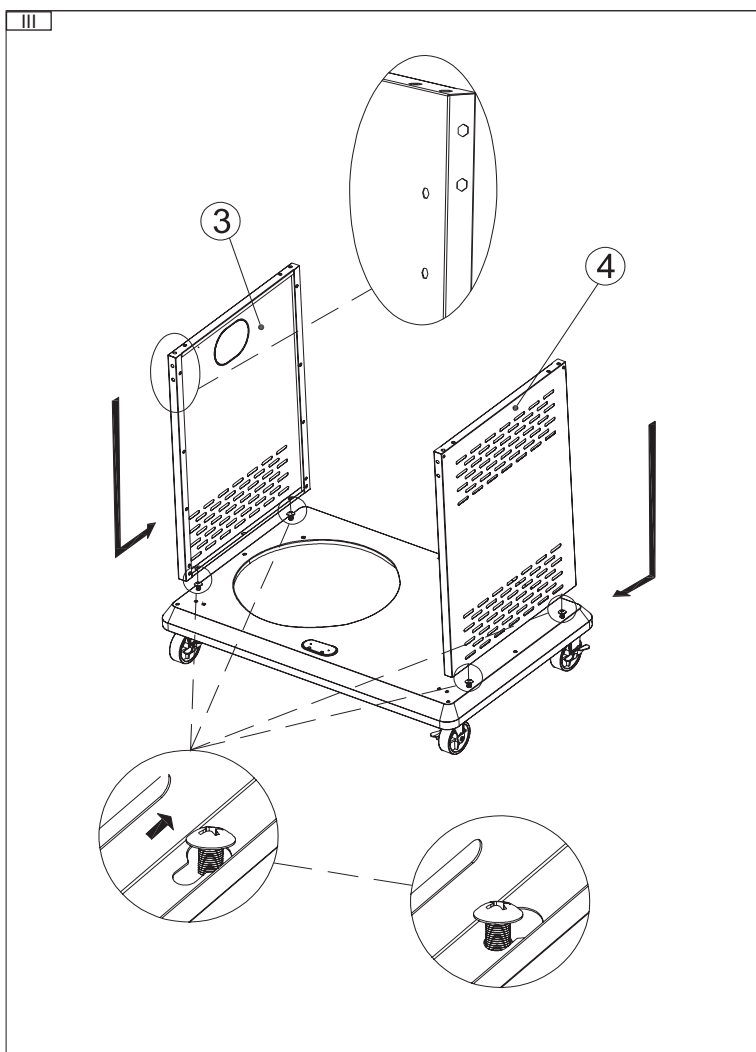
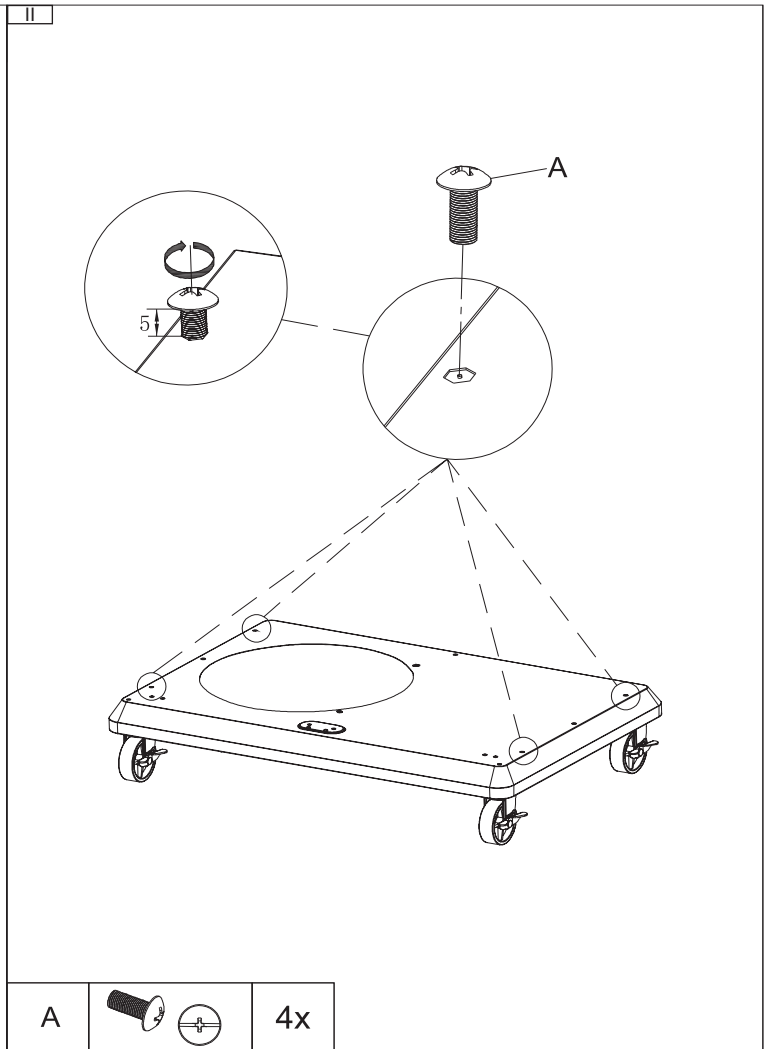
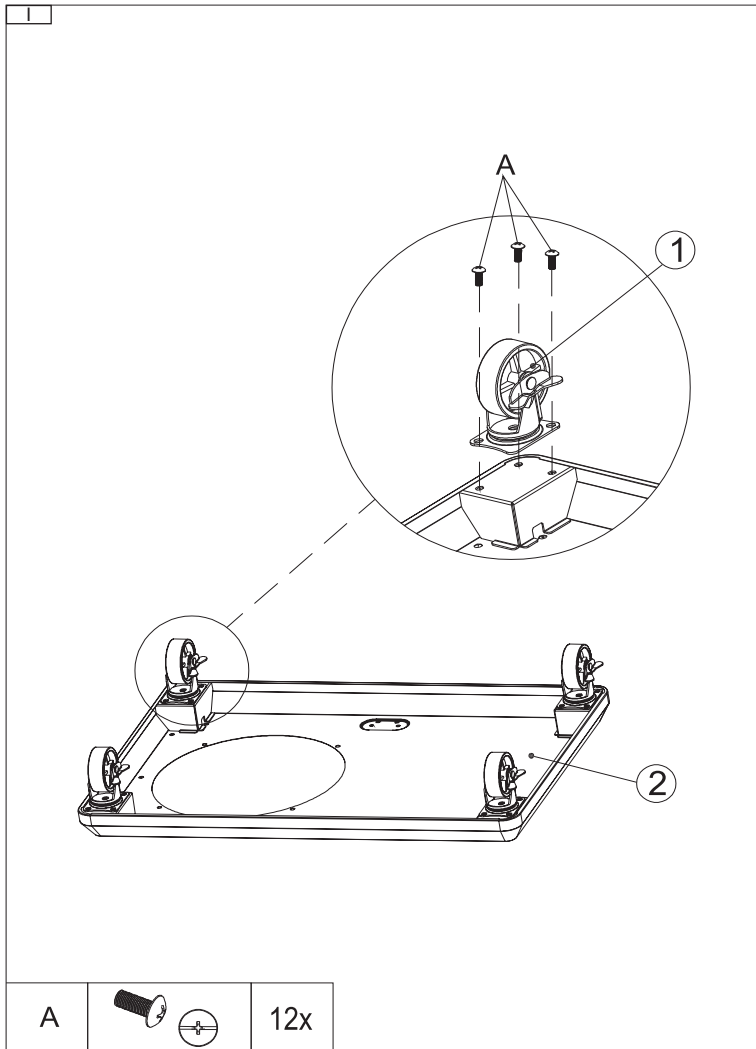
PL GRILL GAZOWY
EN GAS GRILL
DE GASGRILL
RU ГАЗОВЫЙ ГРИЛЬ
UA ГАЗОВИЙ ГРИЛЬ
LT DUJINIS GRILIS
LV GĀZES GRILS
CZ PLYNOVÝ GRIL
SK PLYNOVÝ GRIL
HU GÁZGRILL
RO GRĂȚARUL CU GAZ
ES BARBACOA DE GAS
FR BARBECUE À GAZ
IT BARBECUE A GAS
NL GASGRILL
GR ΨΗΣΤΑΡΙΑ ΥΓΡΑΕΡΓΙΟΥ
BG БАРБЕКЮ НА ГАЗ
PT CHURRASQUEIRA A GÁS
HR PLINSKI ROŠTILJ
AR شواية غاز

YG-20018

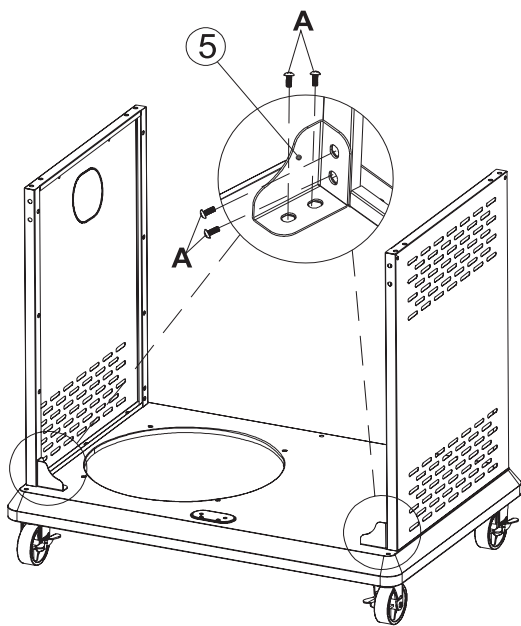




① *4	② *1	③ *1
④ *1	⑤ *2	⑥ *1
⑦ *1	⑧ *1	⑨ *1(L)
⑩ *1(R)	⑪ *2	⑫ *4
⑬ *2	⑭ *1(R)	⑮ *1(L)
⑯ *1	⑰ *1	⑱ *1
⑲ *1	⑳ *1(L)	㉑ *1(R)
㉒ *1	㉓ *1	㉔ *1
㉕ *1	㉖ *1	㉗ *1
㉘ *3	㉙ *1	㉚ *1
㉛ *1	㉜ *1	㉝ *1
㉞ *1	㉟ *1	
AM5-10*51	B M5-12*10	C M4-8*8
DM6-15*8	E*1	F*4
G M4-10*4	H M4-10*6	I \varnothing 28-2*1
J M5-16*10	KM4*2	



V

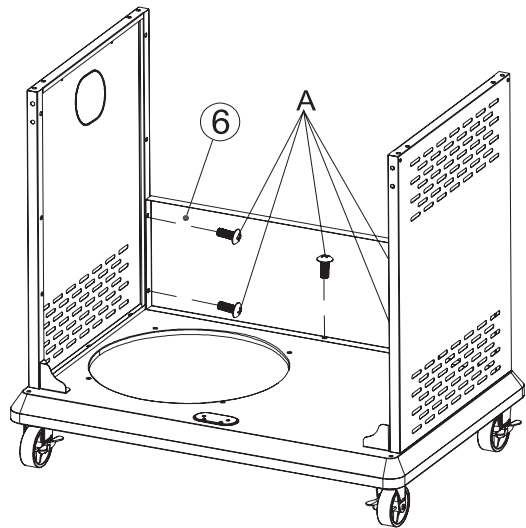


A

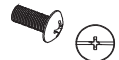


8x

VI

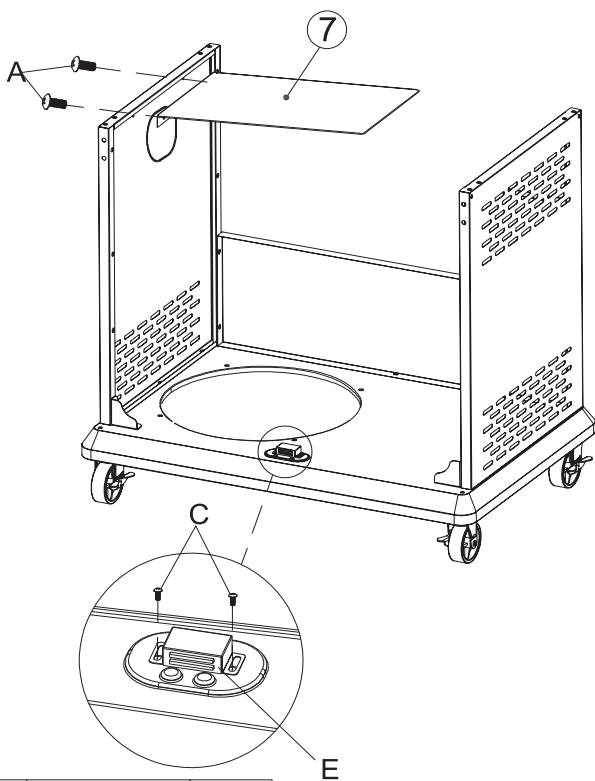


A



5x

VII



A



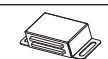
2x

C



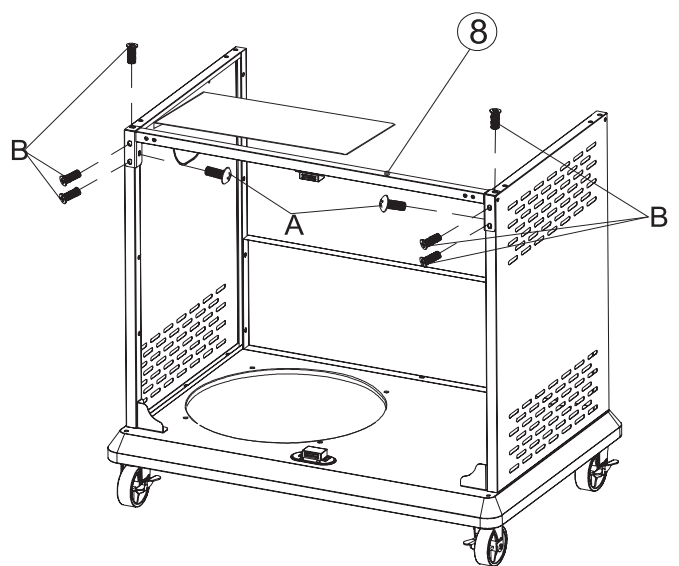
2x

E



1x

VIII

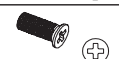


A



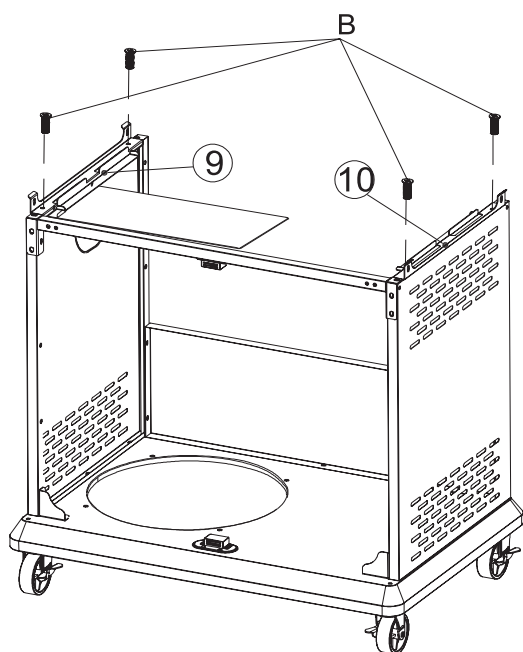
2x

B



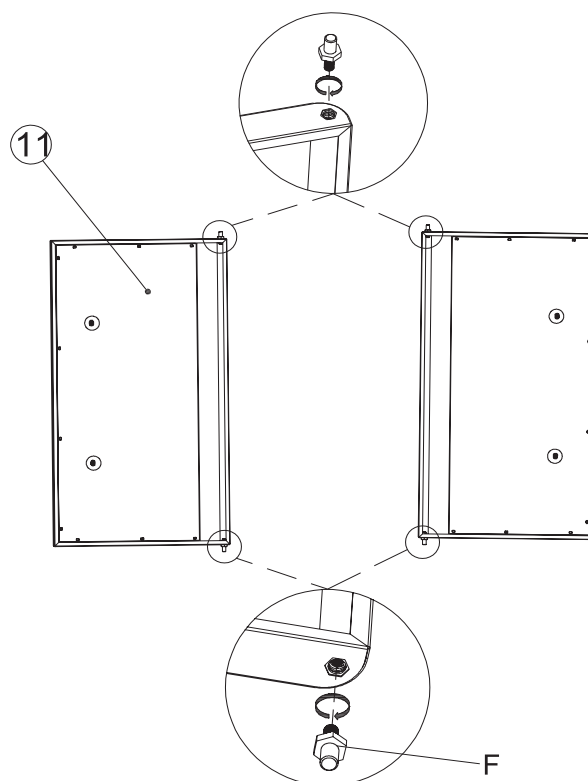
6x

IX



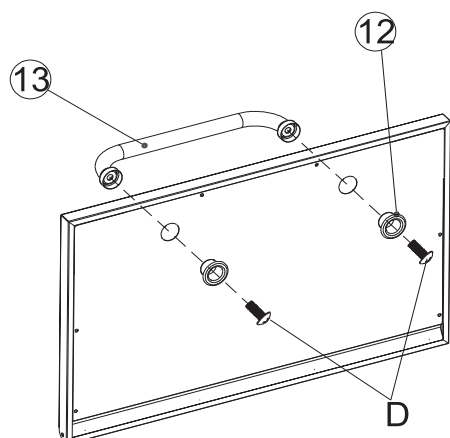
B		4x
---	--	----

X



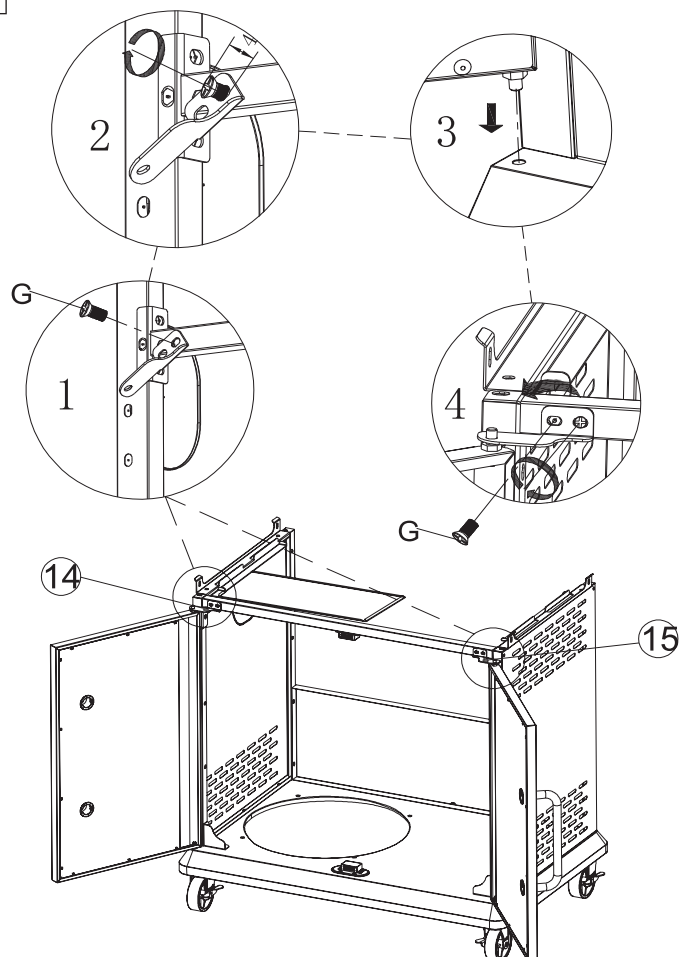
F		4x
---	--	----

XI



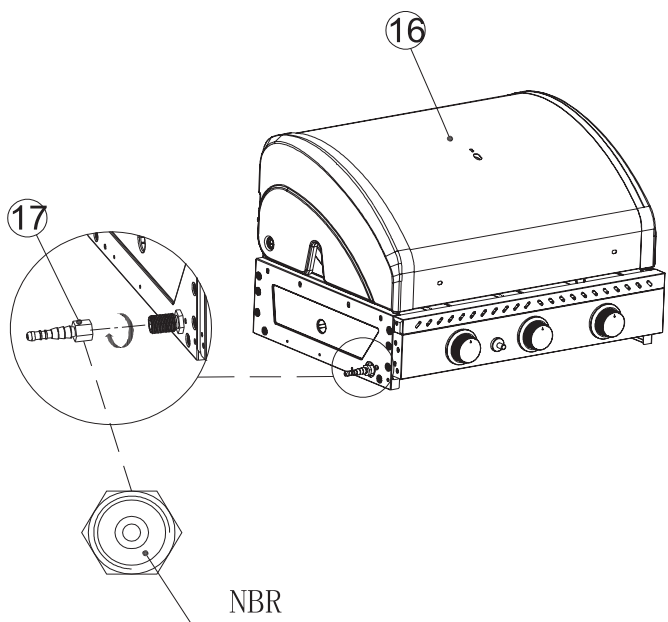
D		4x
---	--	----

XII

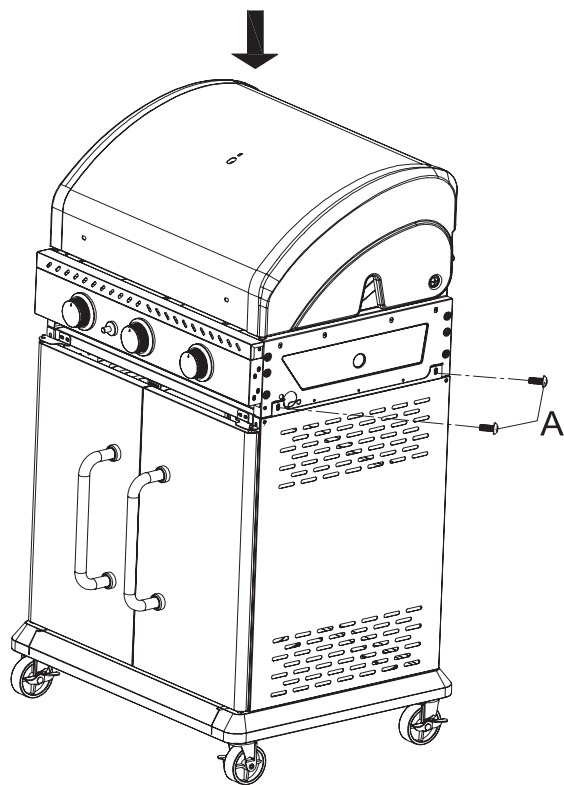


G		4x
---	--	----

XIII

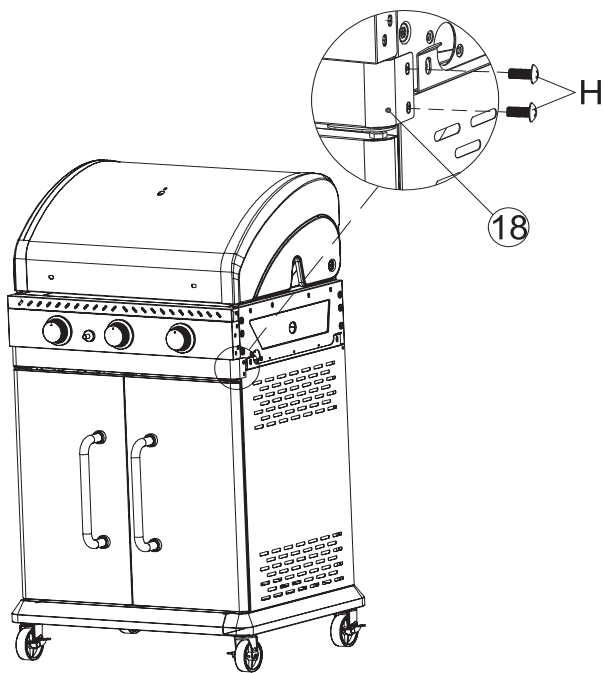


XIV



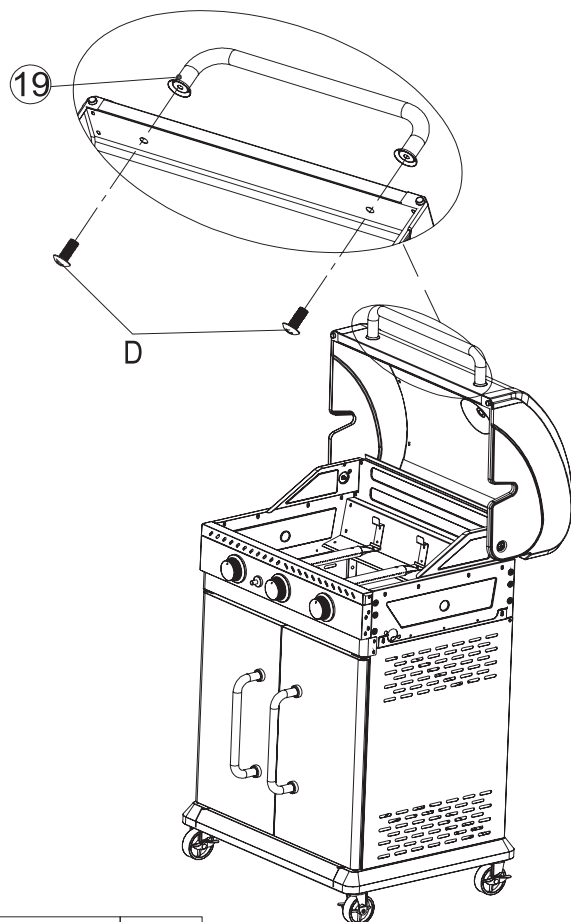
A			4x
---	--	--	----

XV



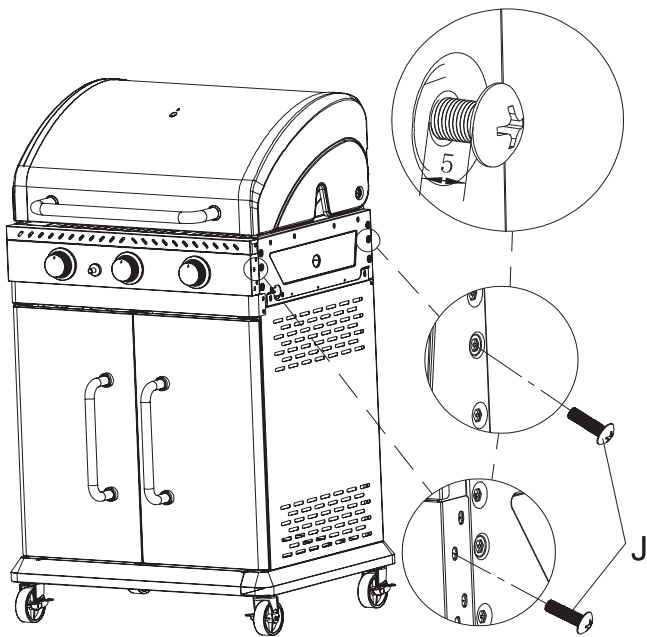
H			4x
---	--	--	----

XVI



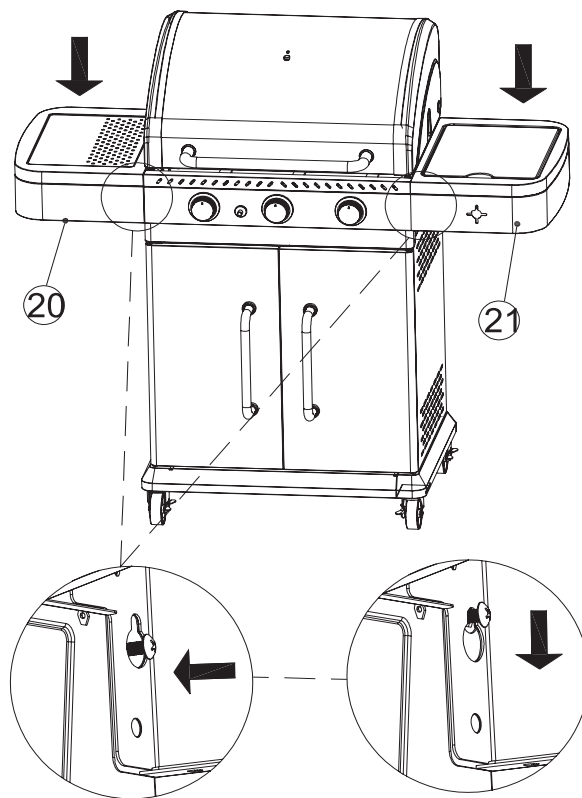
D			2x
---	--	--	----

XVII

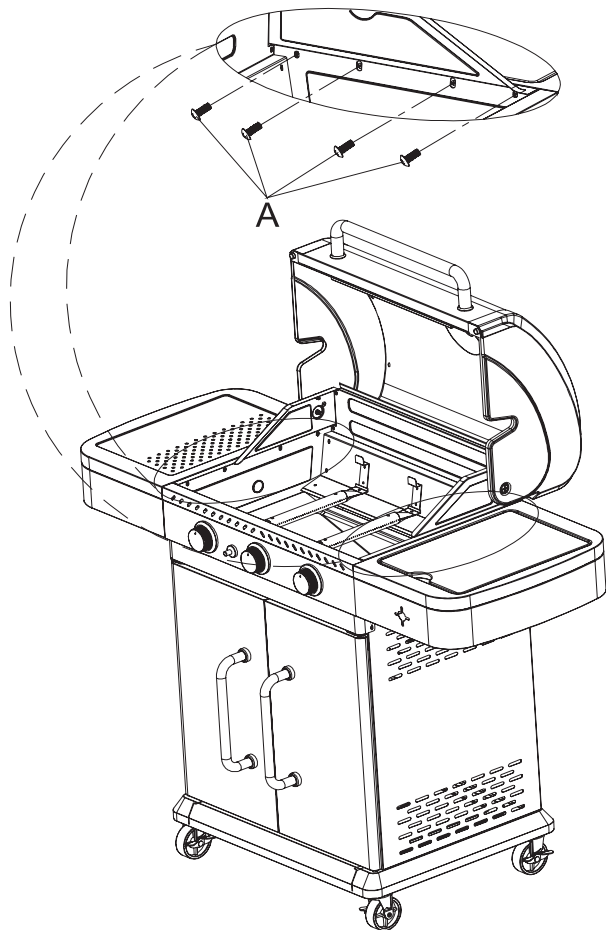


J   4x

XVIII

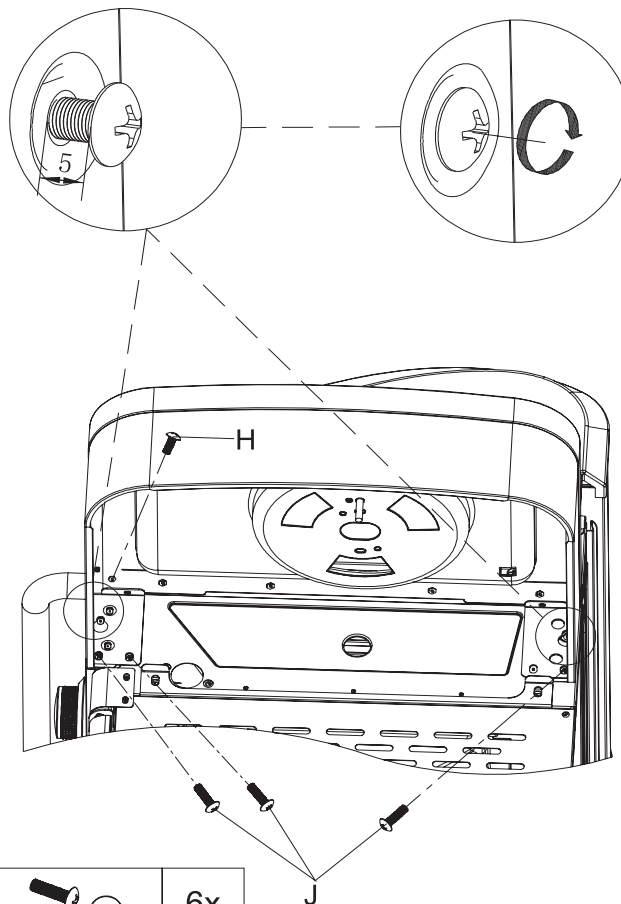


XIX



A   8x

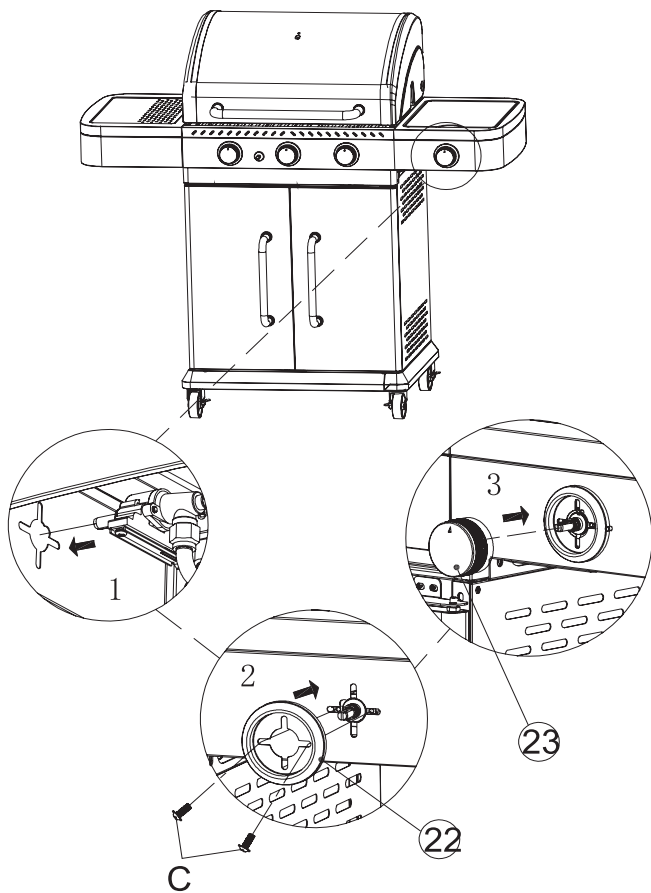
XX



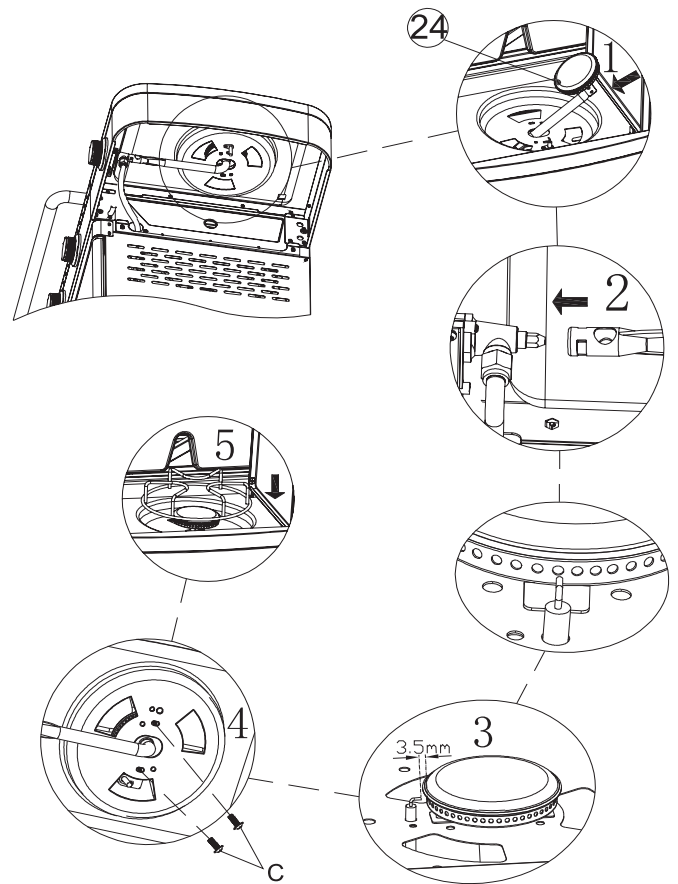
J   6x

H   2x

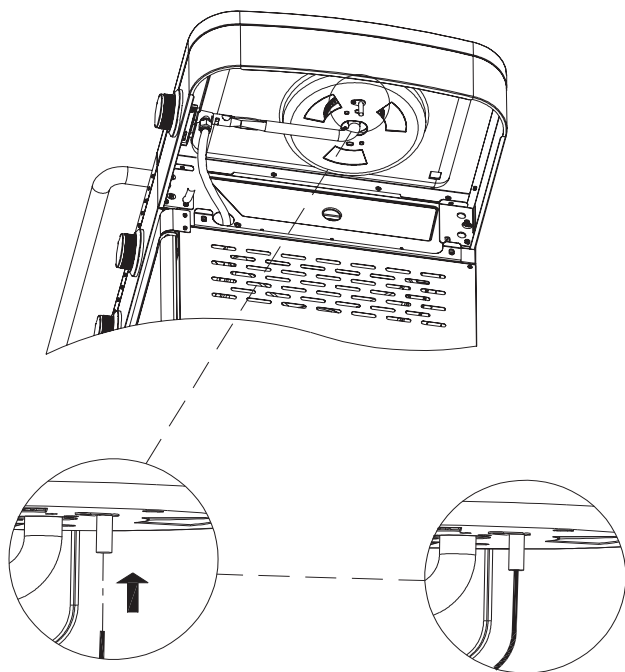
XXI

C   2x

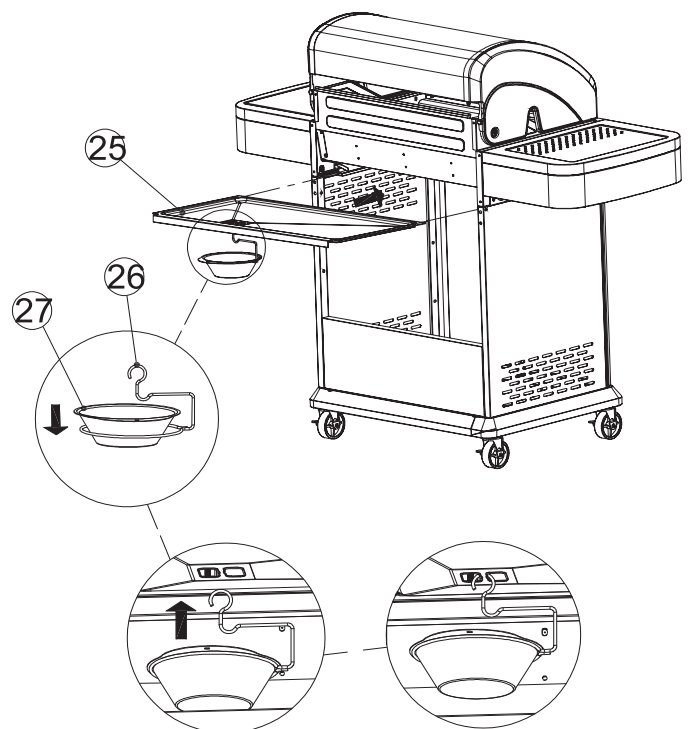
XXII

C   2x

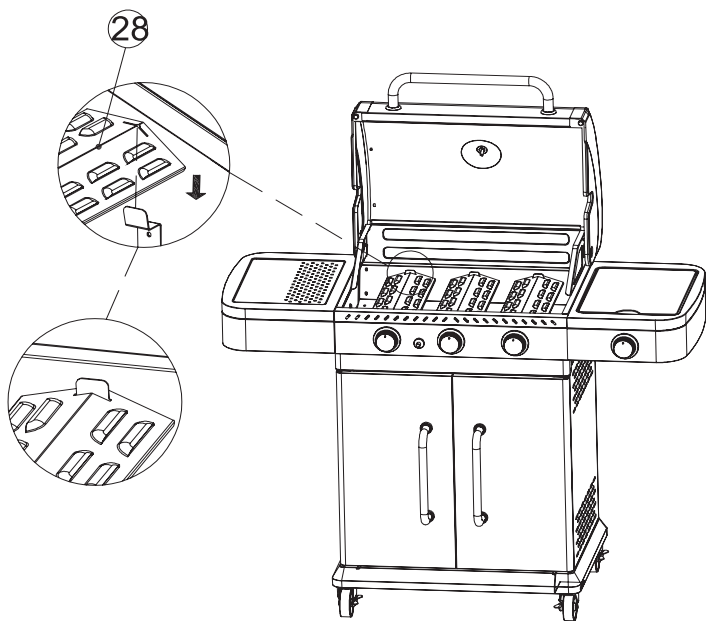
XXIII



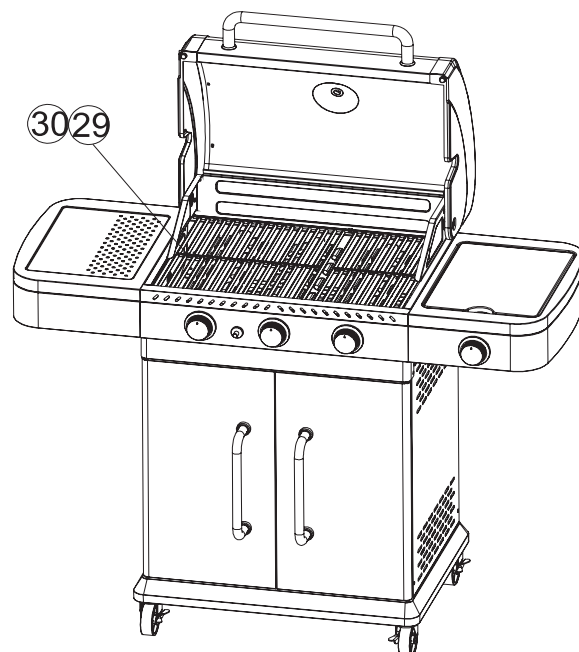
XXIV



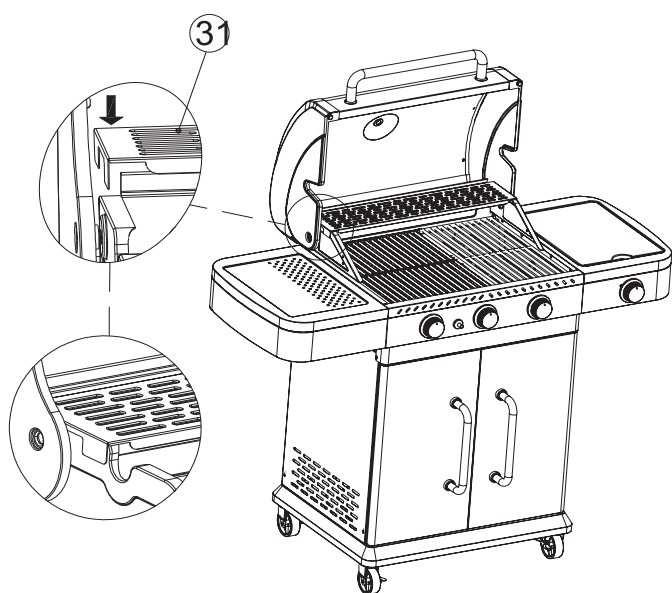
XXV



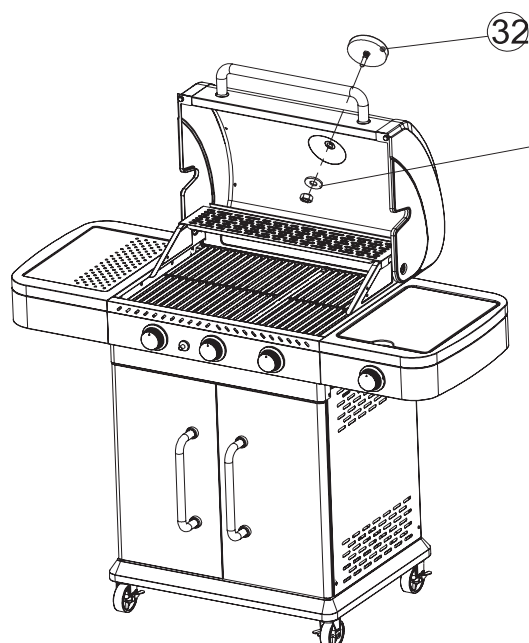
XXVI



XXVII



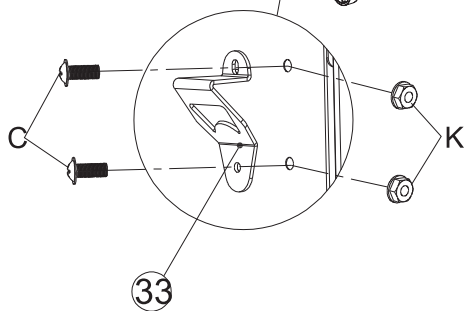
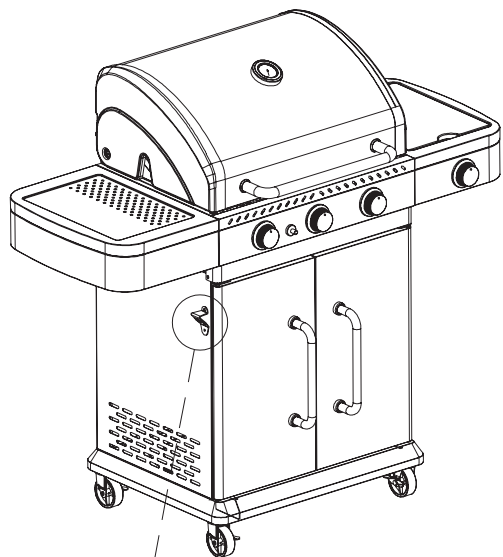
XXVIII







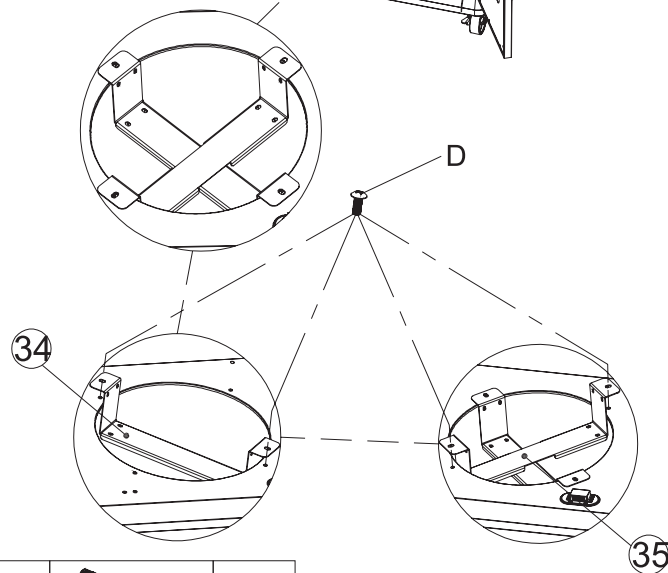
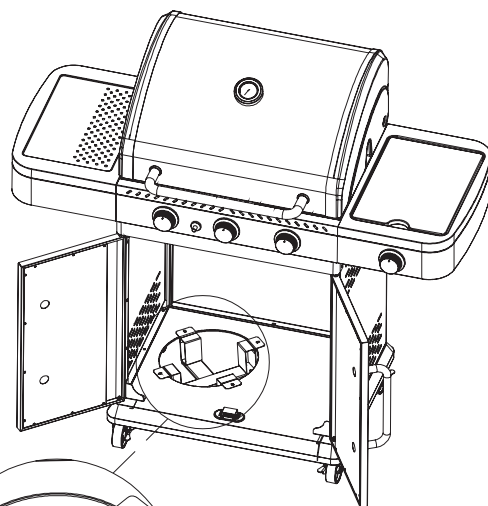
I





1x



C	 	2x
K	 	2x



D	 	4x
---	--	----

Postępowanie w przypadku wycieku gazu

W przypadku wycieku gazu lub nawet podejrzenia wycieku gazu, na przykład czuć wyraźny zapach gazu należy natychmiast zamknąć zawór butli gazowej oraz zawory wszystkich palników. Następnie odłączyć butlę gazową od grilla. Jeżeli grill jest gorący poczekać do jego ostygnięcia. Poczekać do wywietrzenia gazu, sprawdzić instalację gazową na obecność uszkodzeń. Jeżeli takowe nie zostaną zaobserwowane należy przygotować detektor gazu, podłączyć butlę gazową do grilla i otwierając zawór butli rozpocząć detekcję miejsca wycieku gazu. Jeżeli nie zostanie znalezione miejsce wycieku, a nadal dają się zaobserwować efekty wycieku gazu. Należy grill przekazać do autoryzowanego punktu serwisowego.

Ochrona przed poparzeniem

Grill podczas używania nagrzewa się do wysokich temperatur. Najbardziej nagrzewa się pokrywa grilla, ruszt oraz osłony palników. Jednak nawet pozostałe części grilla mogą się nagrzać do temperatur powodujących poważne poparzenia w przypadku dotknięcia ich nieosłoniętą dłonią. Podczas użytkowania grilla należy nosić rękawice ochronne chroniące przed poparzeniem. Podczas pracy, nigdy nie chwytać żadnej części grilla nieosłoniętą dłonią.

KONSERWACJA, PRZECHOWYWANIE I TRANSPORT

Po skończeniu używania grilla należy zamknąć zawory wszystkich palników, a następnie zamknąć zawór butli i odłączyć ją od grilla. Odczekać do całkowitego ostygnięcia wszystkich elementów grilla. Ruszt, tacę oraz osłony palników należy czyścić po każdym użyciu za pomocą środków przeznaczonych do czyszczenia grilli lub piekarników. Nie zaleca się używać ostrych metalowych przedmiotów do oczyszczania zaschniętych resztek żywności.

Pozostałe elementy grilla czyścić za pomocą tkaniny lub gąbki oraz detergentów dostępnych w handlu i przeznaczonych do czyszczenia metalowych powierzchni.

Przed każdym użyciem należy sprawdzić stan instalacji gazowej w szczególności palników, jeżeli zostanie zaobserwowana rdza lub uszkodzenia należy wymienić wadliwe elementy na nowe. W tym celu należy się skontaktować z autoryzowanym serwisem producenta.

Przed każdym użyciem należy sprawdzić stan węża elastycznego. W przypadku zauważenia jakichkolwiek uszkodzeń lub zużycia węża należy go wymienić na nowy. Zaleca się okresową wymianę węża nie rzadziej niż co 10 lat, nawet jak nie wykazuje oznak zużycia.

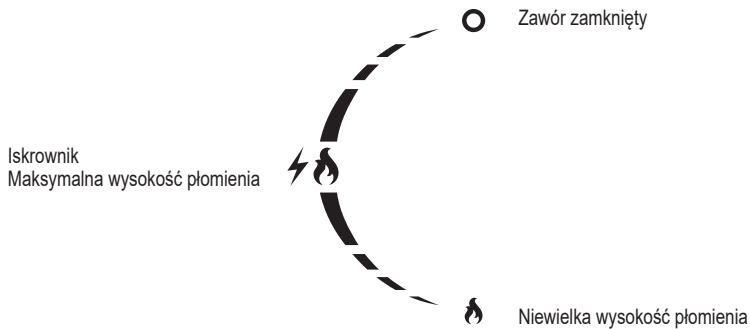
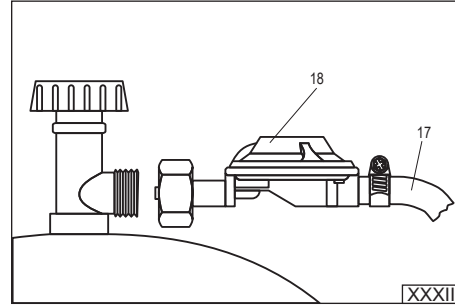
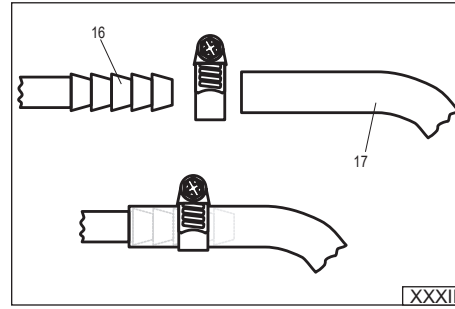
Przed rozpoczęciem przechowywania grilla należy upewnić się, że wszystkie regulatory gazowe zostały ustawione w pozycji: „zamknięty”. Należy zamknąć zawór umieszczony na butli z gazem, a następnie ją odłączyć od grilla. Zabronione jest przechowywanie grilla z podłączoną butlą gazową. Grill oraz butlę należy przechowywać w suchych i ciemnych pomieszczeniach, zabezpieczonych przed dostępem osób niepowołanych. Grill przechowywać w miejscach wolnych od kurzu. Podczas przechowywania należy zamknąć wszystkie pokrywy palników. Podczas dłuższego przechowywania na przykład w czasie zimy, zaleca się nakryć grill, aby ochronić go przed wpływem pyłu i kurzu. W miejscu przechowywania należy zapewnić dobrą wentylację, zapobiegnie to gromadzeniu się wilgoci na elementach urządzenia co może prowadzić do korozji. Korozja może spowodować zmianę parametrów elementów instalacji gazowej, co może doprowadzić do niekontrolowanego wypływu gazu i skutkować pożarem lub eksplozją.

Nie zakrywać otworów wentylacyjnych pomieszczenia do przechowywania butli. Nagromadzenie gazu może doprowadzić, do pożaru lub eksplozji.

Grill transportować na niewielkie odległości (kilkanaście metrów) korzystając z kół do niego dołączonych. W przypadku potrzeby transportu grilla na znaczne odległości za pomocą osobnych środków transportu należy grill rozmontować, przetransportować w opakowaniu fabrycznym, a następnie zmontować ponownie. Zabronione jest transportowanie grilla na dowolną odległość z podłączoną do niego butlą gazową. Przed rozpoczęciem transportu należy zamknąć zawór butli, a następnie odłączyć ją od grilla.

17. wąż gazowy (brak w zestawie - do nabycia osobno)

18. reduktor gazowy (brak w zestawie - do nabycia osobno)



SAFETY INSTRUCTIONS

Use only in the open air. Due to the possibility of gas accumulation, which can lead to fire or explosion, the grill can only be used in the open air. It is forbidden to use the grill in garages, halls or other premises. The grill should not be exposed to precipitation.

Please read the Manual before using the appliance. Following the provided instructions can protect the user against injury, causing fire or an explosion. Please keep the Manual throughout the service life of the grill. On handing the product over to any third persons, it must be handed over with the manual.

WARNING: the accessible parts of the appliance can become very hot. Please keep the children away from the appliance. Using the appliance, please remember that the parts of the appliance become very hot because of the flame. Please use protective gloves against heat and hold only by the handles provided for this purpose.

Do not move the appliance when it is in operation. Moving the appliance during its operation can cause its tipping over, which creates a serious risk of burns and fire. During movement, the flexible hose joining the gas cylinder with the grill may get ruptured, which can lead to an uncontrolled gas flow and cause fire or explosion.

After use, the valve on the gas cylinder must be closed. Closing the valves situated on the grill does not result in cutting the gas flow to the grill off. Leaving the installation under pressure can cause an uncontrolled gas flow, which results in the risk of fire or explosion.

Do not alter the structure of the appliance. The manufacturer is able to guarantee safety only when the grill is assembled in accordance with the recommendations. Improper modifications can cause an uncontrolled gas flow which results in the risk of fire or explosion.

USING THE GRILL

WARNING! During use, the appliance must be kept away from combustible materials.

WARNING! While using the grill, protective gloves against burns must be worn.

WARNING! On connecting the gas cylinder and using the grill, it is forbidden to smoke or approach with open fire.

The intended use of the grill

The grill is provided for preparing meals in the open air. The product is intended for use solely by private persons and must not be used in trade or for commercial applications.

It is forbidden to use a fuel different from that listed in the manual. It should not be used for heating rooms or for heating products other than meals. The main grate is provided for preparing meals by placing them directly on it. It is forbidden to place vessels such as pots or pans on the grate. The side burner is used to heat meals in vessels and it is forbidden to prepare meals directly on the grate of the side burner.

Technical data

Product name: Gas grill

Product catalogue number: YG-20018

Input heat power: 11,2 kW (814 g/h) (3 x 3,0 kW + 2,2 kW)

Type and pressure of the fuel gas: butane G30 and propane G31 at 37 mbar pressure

Gas appliance category gas according to EN 498: I_{3B/P(37)}

Gas supply mode: 11 kg gas cylinders; maximum cylinder dimensions are: 310 mm diameter and 600 mm in height, measured with the valve installed.

Number of burners: 3 main burners + 1 additional burner

Nozzle diameter: 3 x 0,82 mm + 1 x 0,66 mm

Dimensions of the main grate, L x W: 600 x 420 mm

External dimensions of the grill with the cover closed, L x W x H 1220 x 570 x 1120 mm

Manufacturer and Authorized Service: TOYA S.A. ul. Sołtysowicka 13-15, 51-168 Wrocław, Poland

Remarks concerning the assembly of the grill

It is forbidden to alter the structure of the grill by the user. Do not remove the factory mounted and factory sealed elements, the gas installation in particular.

For the side burner, adjustment of the spark generator may be necessary before the first use of the grill. The spark must jump from the spark generator to the holes in the burner. Otherwise, the spark generator may fail to ignite the gas properly or at all. If necessary, bend the spark generator pin, using a small force. All adjustments of the spark generator must be performed with the gas cylinder disconnected.

Preparing the grill for use

Make sure that the grill has been assembled according to the manual. Place the grill and the cylinders on a flat, even and non-flammable surface. If the wheels have been equipped with a lock, use it to immobilize the grill. Make sure that there are no flammable objects near and above the grill or other sources of fire or heat. Keep at least 1 m free space around the grill, and there must be no objects above the grill.

Attention! Check whether all the knobs of the grill gas burners are in the off position.

Connect the grill to the gas cylinder using the flexible hose and the pressure regulator. Both the regulator and the hose must be purchased separately. The pressure regulator in the above sets has been configured to reduce the gas pressure according to the requirements in Poland. The pressure regulator must meet the requirements of European standard EN 16129. If the pressure regulator is factory connected to the hose, do not modify this connection.

Place a metal hose clamp on the free end of the hose and then slide the end of the hose to the connection terminal on the grill (XXXII). Secure the connection by tightening the hose clamp. Do not over-tighten the clamp, but only to a degree ensuring a tight connection. Tightening the clamp too strong may cause the damage to the hose. The pressure regulator is equipped with a threaded connection that has to be screwed upon the gas cylinder valve using a spanner (XXXIII). Place the gas cylinder in such a place that the flexible hose is not bent, twisted or excessively tensioned. Before connecting, check the hose for damage or wear. If damage or wear of the gas hose is found, have it replaced for a new one, delivering the grill to the authorized repair shop. Unassisted replacement of the hose or replacing it with a hose not intended for gas transport is forbidden. The hose should be 80 cm long, and its length must not exceed 150 cm. Use only flexible hose intended for liquid propane or butane gas transport. After the connection has been made, check the tightness of the gas installation.

If the local regulations require the application of another hose and/or regulator, they must be purchased separately to meet the requirements for the given place of use.

Under normal operation conditions, it is recommended to replace the correctly installed pressure regulator every 10 years from the year displayed on the regulator. Local regulations can require

other regulator replacement periods. While using the pressure regulator outdoors, it must be placed and secured in such a way that no water can enter it. During the operation, provide good ventilation to the pressure regulator, which will prevent condensation inside the equipment. The pressure regulator is configured to operate in the ambient temperatures from -20 up to +50 deg. C. If the pressure regulator has been installed behind another regulator, the pressure in the installation must be adjusted to be within the input pressure range supported by the regulator attached to the grill.

The gas cylinder can be placed inside the grill cabinet, but only in the floor cut-out intended for this purpose. It is forbidden to insert the cylinder elsewhere inside the grill cabinet. The cylinder can also be positioned outside the grill. The gas cylinder must be positioned vertically. Before connecting, remove the protective film (seal) from the gas cylinder valve, check the condition of the gasket, and, if no damage or wear have been found, screw the nut of the pressure regulator to the gas cylinder valve. The connection must be tightened with the force necessary to achieve tightness. Excessive tightening of the connection may damage the gasket and the connection will not reach the required tightness. It is forbidden to install the pressure regulator to the valve with a damaged gasket. In such case, obtain the information necessary to replace the gasket from the gas cylinder manufacturer.

Open the gas cylinder valve slowly until reaching full opening and check the connections for leaks. **WARNING!** If there is a sound of escaping gas already audible while opening the gas cylinder valve, and the door of the gas is strongly perceptible, close the gas cylinder valve immediately. Check whether the valves of the gas burners are closed and then check the tightness of the connections. **WARNING!** It is forbidden to check the connection for gas leaks with fire. There's a risk of burns, fire or explosion. Use commercially available electronic or chemical testers. Please read the attached instructions before using them.

You can also prepare a soap-water mixture containing ca. 1/4 of soap and 3/4 of water and cover the gas installation with it. Visible gas bubbles indicate the place of the leak in the installation. If the leak is observed, close the gas cylinder valve and remove the leak, e.g. by tightening the connections. Repeat the check for leaks. If the leaks cannot be removed, close the gas cylinder valve, disconnect the cylinder from the grill, and deliver the grill to the authorized repair shop. If no leaks have been discovered during the leak test, the grill can be operated.

If the grill is started after a period in storage, check the condition of the burners. Remove the grate and the burner covers, check the condition of all the burners, including the side one, for dirt and rust. Check whether the burners or their nozzles are not clogged with dirt, food residues or insects. Before using the grill, clean the burners with cleaning agents intended for grills or ovens. If the gas nozzle is found clogged, unassisted repair is forbidden. In such a case the grill must be delivered to the authorized repair shop. It is forbidden to use the grill with one or more defective burners.

If humidity is found, for example due to the condensation, the accessible surfaces must be dried with a cloth or paper towels, then the grill should be left in a dry place to dry the moisture accumulated in the inaccessible places. To accelerate the drying, open the cover of the grill and the side burner, remove the burner covers and the grate. It is forbidden to dry by passing gas through the installation. It is forbidden to start the grill with moisture covered burners, which may lead to an uncontrolled ignition of gas, which may result in burns, fire or explosion.

Operation of the main burners

Attention! Fully open the grill cover. It is forbidden to ignite the burners with the cover lowered.

The burner is equipped with an integrated spark generator that enables the ignition of the air and gas mixture. The side burner is ignited by pressing and holding the knob depressed, and then turning it by 90 deg. The air and gas mixture should ignite. If it does not, turn the knob to the "OFF" position and repeat the attempt to ignite the burner. If even after a number of attempts the gas burner cannot be ignited, it may mean that the burner nozzle has been clogged. In such a case, close the burner valve, close the gas cylinder valve, disconnect the cylinder from the grill, and deliver the grill to the authorized repair shop.

After a successful attempt to ignited the burner, release the igniter push-button, and adjust the flame by turning the burner knob. Leaving the knob turned by 90 degrees from the initial position (valve closed) results in setting the maximum flame size. Turning it clockwise to the stop results in setting a small flame, and turning it counter-clockwise will result in closing the valve and extinguishing the flame. Leaving the knob in any intermediate positions between those described above allows you to select the desired flame height.

The burners must be ignited one by one, i.e. the next burner must be ignited only after the previous one has been ignited. It is forbidden to ignite a few burners simultaneously.

The adjustment of the flame height of the other burners should be carried out according to the procedure described above.

Operation of the side burner

Attention! Fully open the grill cover. It is forbidden to ignite the burner and heating the meals with the burner cover lowered.

The burner is equipped with an integrated spark generator that enables the ignition of the air and gas mixture. The side burner is ignited by pressing and holding the knob depressed, and then turning it by 90 deg. The air and gas mixture should ignite. If it does not, turn the knob to the "OFF" position and repeat the attempt to ignite the burner. The adjustment of the side burner flame height is the same as for the other burners described above.

The side burner is intended for heating meals in pots with a flat bottom of the diameter of 16 - 22 cm. It is forbidden to place vessels with a bottom other than flat, e.g. woks.

Procedure in case of gas leak

In the case of gas leak or even suspected gas leak, for example the distinctive door of the gas can be smelled, immediately close the gas cylinder valve and the valves on all burners. Then disconnect the gas cylinder from the grill. If the grill is hot, wait for it to cool down. Wait until the gas is removed by air, check the gas installation for damage. If no damage has been found, prepare a gas detector, connect the gas cylinder to the grill, and start the detection of the leak, opening the gas cylinder valve. If the leak has not been found, and the effects of gas leak persist, deliver the grill to the authorized service shop.

Protection against burning

The grill heats up to high temperatures during operation. The grill cover, the grate, and the burner covers heat up the most. However, even the other parts of the grill can heat up to the temperatures causing serious burns if touched with a bare hand. While using the grill, protective gloves against burns must be worn. During the operation, never grasp any part of the grill with a bare hand.

MAINTENANCE, STORAGE AND TRANSPORT

Having finished using the grill, close the valves of all burners and then close the valve on the gas cylinder and disconnect it from the grill. Wait until all the elements of the grill cool down. The grate, the tray, and the burner covers should be cleaned after each use with agents intended for cleaning grills or ovens. It is not recommended to use sharp metal objects to clean the dried food residues. Clean the other elements of the grill with a cloth or sponge and commercially available detergents intended for cleaning metal surfaces.

Check the condition of the gas installation, in particular the burners, before each use, and if rust or damage is observed replace the defective elements with new ones. For that purpose, please contact the manufacturer's authorized service.

Check the condition of the flexible hose before each use. If any damage or wear of the hose is observed, replace it with a new one. A periodic replacement of the hose is recommended not at least every 10 years, even if no signs of wear are found.

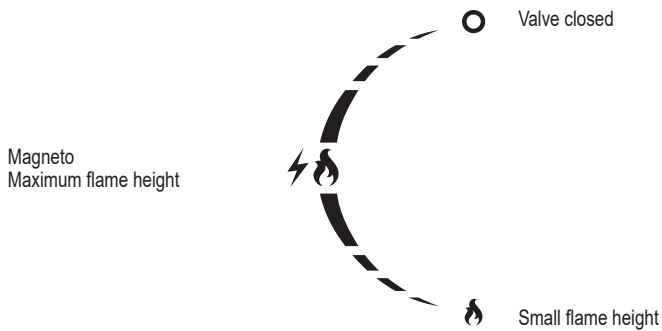
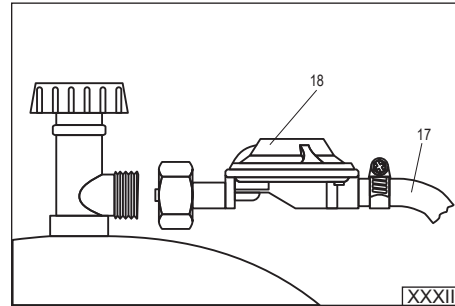
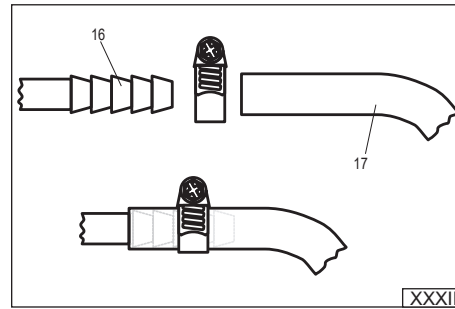
Before storing the grill, make sure whether all gas regulators have been set in the "closed" position. Close the valve on the gas cylinder and disconnect it from the grill. It is forbidden to store the grill with the gas cylinder connected. The grill and the gas cylinder must be stored in dry and dark rooms, secured against unauthorized access. Store the grill in places free from dust. During storage, all the burner covers must be closed. For an extended storage, for example during the winter time, it is recommended to cover the grill to protect it against dirt and dust. Provide good ventilation in the storage place, which will prevent accumulation of moisture on the appliance elements, which may result in corrosion. Corrosion can cause the change in the gas installation characteristics, which can lead to an uncontrolled gas flow and cause fire or explosion.

Do not cover the ventilation openings in the premises for gas cylinder storage. Accumulation of gas can result in fire or explosion.

Transport the grill by short distances (several meters) using the attached wheels. If the transport of the grill by significant distances is required using separate transportation means, disassemble the grill, transport it in the factory packaging, and re-assemble it again. It is forbidden to transport the grill by any distance with the gas cylinder connected. Before the transport close the valve on the gas cylinder and disconnect it from the grill.

17. gas hose (not included - sold separately)

18. pressure regulator (not included - sold separately)



SICHERHEITSANWEISUNGEN

Nur im Freien verwenden. Aufgrund der Möglichkeit von Gasansammlungen, die zu Bränden oder Explosionen führen können, ist es erlaubt, den Grill nur im Freien zu benutzen. Es ist verboten, den Grill in Garagen, Hallen oder anderen Räumen zu benutzen. Setzen Sie den Grill nicht dem Niederschlag aus.

Lesen Sie das Handbuch, bevor Sie das Gerät benutzen. Die Einhaltung der Anweisungen kann den Benutzer vor Verletzungen, Brand oder Explosionen schützen. Bewahren Sie diese Anleitung über die ganze Verwendungszeit des Grills. Wenn Sie das Produkt an andere weitergeben, geben Sie es bitte zusammen mit der Anleitung weiter.

WARNUNG: Frei zugängliche Teile des Gerätes können sehr heiß sein. Halten Sie Kinder vom Gerät fern. Beim Einsatz des Gerätes ist zu beachten, dass sich die Werkzeugteile durch Flammeneinwirkung auf hohe Temperaturen erwärmen. Tragen Sie Isolationshandschuhe und fassen Sie nur die mitgelieferten Griffe an.

Bewegen Sie das Gerät nicht, während es in Betrieb ist. Wenn das Gerät während des Betriebs bewegt wird, kann es umkippen, was zu schweren Verbrennungen und Feuer führen kann. Während der Handhabung kann der flexible Schlauch, der die Gasflasche mit dem Grill verbindet, gerissen werden, was zu unkontrolliertem Gasfluss und Feuer oder Explosion führen kann.

Nach dem Gebrauch, das Ventil an der Gasflasche zudrehen. Durch das Schließen der Ventile am Grill wird die Gaszufuhr zum Grill nicht unterbrochen. Das Verlassen des Gerätes unter Druck kann zu unkontrolliertem Gasfluss führen, was zu Feuer und Explosionen führen kann.

Es dürfen keine Veränderungen am Geräte vorgenommen werden. Der Hersteller kann die Sicherheit nur dann garantieren, wenn der Grill nach seinen Anweisungen montiert wird. Unsachgemäße Veränderungen können zu unkontrollierter Gasfreisetzung führen, was zu Feuer und Explosionen führen kann.

BENUTZUNG DES GRILLS

WARNUNG! Halten Sie das Gerät fern von brennbaren Materialien, wenn Sie es benutzen.

WARNUNG! Zum Schutz vor Verbrennungen, tragen Sie Schutzhandschuhe, wenn Sie den Grill benutzen.

WARNUNG! Wenn Sie die Gasflasche anschließen und den Grill benutzen, dürfen Sie nicht rauchen oder sich mit dem Feuer nähern.

Zweck des Grills

Der Grill ist für die Vorbereitung von Speisen im Freien konzipiert. Das Produkt ist nur für den persönlichen Gebrauch bestimmt und darf nicht zu Handelszwecken oder für kommerzielle Anwendungen verwendet werden.

Es ist verboten, einen anderen als den in der Bedienungsanleitung angegebenen Brennstoff zu verwenden. Nicht zum Beheizen von Räumen oder anderen Produkten als Lebensmittel zu verwenden. Der Hauptrost dient zur Zubereitung von Speisen, indem sie direkt auf den Rost gelegt werden. Es ist verboten, Geschirr wie Töpfe oder Pfannen darauf zu stellen. Der Seitenbrenner dient zur Erwärmung der Speisen im Geschirr, es ist verboten direkt auf dem Rost des Seitenbrenners Speisen zuzubereiten.

Technische Daten

Produktbezeichnung: Gasgrill

Produkt-Katalog-Nr.: YG-20018

Thermische Eingangsleistung: 11,2 kW (814 g/h) (3 x 3,0 kW + 2,2 kW)

Art und Druck des Versorgungsgases: Butan G30 und Propan G31 bei 37 mbar

Kategorie des Gasgerätes nach EN 498: I

Art der Gasversorgung: 11 kg Gasflaschen; maximale Flaschengröße 310 mm im Durchmesser und 600 mm in der Höhe, gemessen mit eingebautem Ventil.

Anzahl der Brenner: 3 Hauptbrenner + 1 Zusatzbrenner

Düsensdurchmesser: 3 x 0,82 mm + 1 x 0,66 mm

Abmessungen Hauptrost L x B: 600 x 420 mm

Außenmaße des Grills bei geschlossenem Deckel Länge x Breite x Höhe 1220 x 570 x 1120 mm

Hersteller und autorisierter Service: TOYA S.A. ul. Soltysowicka 13-15, 51-168 Wrocław, Polska

Hinweise zum Einbau des Grills

Es ist verboten, selbst die Konstruktion des Grills zu verändern. Demontieren Sie keine werkseitig montierten oder abgedichteten Komponenten, insbesondere das Gassystem.

Beim Seitenbrenner muss ggf. der Zünder eingestellt werden, bevor der Grill zum ersten Mal benutzt werden kann. Der Funke muss vom Zünder an die Brennerlöcher springen. Andernfalls kann der Zünder das Gas nicht oder nicht richtig entzünden. Wenn nötig, biegen Sie die Zündkerze mit geringem Kraftaufwand zu recht. Die Einstellung des Zünders muss bei getrennter Gasflasche erfolgen.

Vorbereitung des Grills für den Gebrauch

Vergewissern Sie sich, dass der Grill gemäß den Anweisungen montiert ist. Den Grill und die Gasflaschen sind auf einer ebenen, ebenen und nicht brennbaren Fläche aufzustellen. Sind die Grillräder mit einer Feststellvorrichtung ausgestattet, sollte diese zum Feststellen des Grills verwendet werden. Stellen Sie sicher, dass sich keine brennbaren Gegenstände oder andere Brand- oder Wärmequellen in der Nähe befinden, auch nicht auf dem Grill. Halten Sie mindestens 1 Meter Freiraum um den Grill herum und über dem Grill dürfen sich keine Hindernisse befinden.

Achtung! Überprüfen Sie, ob alle Brennerdrehknöpfe des Grills sich in der geschlossenen Position befinden.

Der Grill sollte mit einem flexiblen Schlauch und einem Gasdruckregler an die Gasflasche angeschlossen werden. Sowohl Druckminderer als auch der Schlauch müssen separat erworben werden. Der Druckminderer in den oben genannten Sets wurde an die in Polen geltenden Anforderungen für Gasdruck angepasst. Der Druckminderer muss der europäischen Norm EN 16129 entsprechen. Wenn der Druckminderer werkseitig an einen Schlauch angeschlossen ist, sollte dieser Anschluss nicht verändert werden.

Setzen Sie die Metallschlauchschele auf das lose Schlauchende und schieben Sie das Schlauchende auf den Grillstützen (XXXII). Sichern Sie die Verbindung durch Anziehen der Kableschele. Ziehen Sie die Schlauchschele nicht zu fest an, sondern nur so weit, dass sie fest sitzt. Ein zu festes Anziehen des Schlauchschele kann den Schlauch beschädigen. Der Druckminderer ist mit einem Gewindeanschluss ausgestattet, der mit einem Schlüssel (XXXIII) an das Gasflaschenventil angeschraubt werden muss. Positionieren Sie die Flasche so, dass der flexible Schlauch nicht verbogen, verdreht oder überspannt wird. Überprüfen Sie den Zustand des Schlauches auf Beschädigung oder Verschleiß, bevor Sie ihn anschließen. Wenn Schäden oder Verschleiß am Schlauch

festgestellt werden, lassen Sie den Grill von einer autorisierten Servicestelle durch den Austausch des Schlauches reparieren. Es ist verboten, den Schlauch selbst zu wechseln oder durch einen Schlauch zu ersetzen, der nicht für den Gasleitung ausgelegt ist. Der Schlauch sollte 80 cm lang sein und seine Länge darf 150 cm nicht überschreiten. Verwenden Sie nur flexible Schläuche, die für die Leitung von Propan- oder Butangasflüssigkeiten ausgelegt sind. Nach dem Anschluss muss die Gasanlage auf Dichtheit geprüft werden.

Wenn die örtlichen Vorschriften die Verwendung eines anderen Schlauches und/oder Druckreglers erfordern, kaufen Sie diesen separat, um den Anforderungen Ihres Einsatzgebietes gerecht zu werden.

Unter normalen Einsatzbedingungen wird empfohlen, den ordnungsgemäß installierten Druckregler alle 10 Jahre ab dem Baujahr, das auf dem Druckregler zu sehen ist, auszutauschen. Lokale Vorschriften können unterschiedliche Wechselintervalle für den Druckregler erfordern. Wenn der Druckregler im Freien verwendet wird, muss es gegen das Eindringen von Wasser geschützt sein. Bei Verwendung des Druckreglers ist auf eine gute Belüftung zu achten, um Kondensation von Wasserdampf im Inneren des Gerätes zu vermeiden. Der Druckregler ist für Umgebungstemperaturen von -20 bis +50 Grad Celsius ausgelegt. C. Wenn der Druckregler nach einem anderen Druckregler installiert wird, sollte der Druck im System so eingestellt werden, dass er im Bereich des Eingangsdrucks liegt, der von dem am Grill angebrachten Druckminderer geliefert wird.

Die Gasflasche kann im Inneren des Grillschanks aufgestellt werden, jedoch nur in dem dafür vorgesehenen Bodenausschnitt. Es ist verboten, den Zylinder an einer anderen Stelle im Grillschrank einzusetzen. Der Zylinder kann auch außerhalb des Grills aufgestellt werden. Die Gasflasche muss senkrecht stehen. Vor dem Einschrauben sollte die Dichtfolie (Plombe) vom Flaschenventil entfernt werden, um den Zustand der Dichtung zu überprüfen und bei Beschädigung- oder Verschleißfreiheit des Druckminderers mit dem Flaschenventil verschraubt werden. Die Verbindung muss mit der für das Erreichen der Dichtheit erforderlichen Kraft angezogen werden. Übermäßiges Anziehen der Verbindung kann die Dichtung beschädigen und die Verbindung wird nicht die erforderliche Dichtheit erreichen. Es ist verboten, der Druckminderer mit einer beschädigten Dichtung an das Ventil anzuschrauben. Wenden Sie sich in diesem Fall an den Gasflaschenhersteller, um die erforderlichen Informationen zum Austausch der Dichtung zu erhalten.

Das Flaschenventil langsam abschrauben, bis es vollständig geöffnet ist, und die Anschlüsse auf Dichtheit prüfen.

WARNUNG! Wenn bereits beim Öffnen des Flaschenventils undichtes Gas zu hören ist und Gasgeruch deutlich zu erkennen ist, schließen Sie das Flaschenventil sofort. Prüfen Sie, ob die Brennerventile geschlossen sind und prüfen Sie dann die Anschlüsse auf Dichtheit.

WARNUNG! Es ist verboten, die Dichtheit der Verbindung durch Feuer zu überprüfen. Dies kann zu Verbrennungen, Feuer und Explosionen führen. Verwenden Sie handelsübliche elektronische oder chemische Prüfgeräte. Bitte lesen Sie vor dem Gebrauch die mitgelieferte Anleitung.

Es ist auch möglich, eine Mischung aus Wasser und Seife im Verhältnis von ca. ¼ Seife pro ¾ Wasser herzustellen und die Gasanlage damit zu benetzen. Werden Gasblasen festgestellt, bedeutet dies, dass das System undicht ist. Werden Undichtigkeiten festgestellt, das Flaschenventil schließen und die Undichtigkeiten beseitigen, z.B. durch Anziehen der Anschlüsse. Wiederholen Sie die Dichtheitsprüfung der Anlage. Wenn Undichtigkeiten nicht behoben werden können, schließen Sie das Flaschenventil, trennen Sie die Gasflasche vom Grill und bringen Sie den Grill in eine autorisierte Werkstatt.

Wenn bei der Gasdichtheitsprüfung keine Undichtigkeiten festgestellt wurden, kann der Grill in Betrieb genommen werden.

Wenn der Grill nach einer Lagerzeit gestartet wird, überprüfen Sie den Zustand der Brenner. Entfernen Sie den Rost und die Brennerschutzvorrichtungen, überprüfen Sie den Zustand aller Brenner, auch des seitlichen, auf Schmutz und Rost. Stellen Sie sicher, dass die Brenner und Düsen nicht durch Schmutz, Speisereste oder Insekten verstopft sind. Vor der Benutzung des Grills die Brenner mit Grill- oder Ofenreiniger reinigen. Wird festgestellt, dass die Gasdüse verstopft ist, ist es verboten, sie selbst zu reparieren. Bringen Sie den Grill in diesem Fall zu einer autorisierten Servicestelle. Es ist verboten, den Grill mit einem oder mehreren nicht funktionierenden Brennern zu benutzen.

Wenn Feuchtigkeit festgestellt wird, z.B. durch Kondensation, trocknen Sie die zugänglichen Flächen mit Tüchern oder Papierhandtüchern und lassen Sie den Grill dann an einem trockenen Ort, um die an unzugänglichen Stellen angesammelte Feuchtigkeit zu trocknen. Um den Trocknungsprozess zu beschleunigen, öffnen Sie den Grilldeckel und den Seitenbrenner, entfernen Sie die Brennerschutzvorrichtungen und den Grillrost. Die Trocknung durch Durchleiten von Gas durch das System ist verboten. Es ist verboten, einen Grill mit feuchten Brennern zu starten, dies kann zu unkontrollierter Gasentzündung führen, die zu Verbrennungen, Feuer oder Explosionen führen kann.

Hauptbrennerbetrieb

Achtung! Öffnen Sie den Grilldeckel vollständig. Es ist verboten, die Brenner bei abgesenktem Deckel zu zünden.

Der Brenner hat einen eingebauten Zündmechanismus, der eine Zündung des Luft-Gas-Gemisches ermöglicht. Der Seitenbrenner wird durch Drücken und Halten des Knopfes in dieser Position und anschließendes Drehen um 90 Grad gezündet. Das Gas-Luft-Gemisch sollte zünden. Ist dies nicht der Fall, drehen Sie den Bedienelement in die Stellung „OFF“ und wiederholen Sie dann den Versuch. Die Einstellung der Flammengröße des Seitenbrenners erfolgt gleich, wie bei den anderen oben beschriebenen Brennern.

Wenn der Brenner auch nach mehreren Versuchen nicht gezündet werden kann, kann dies bedeuten, dass die Brennerdüse verstopft ist. Schließen Sie in diesem Fall das Brennerventil, schließen Sie das Flaschenventil, trennen Sie die Flasche vom Grill und übergeben Sie sie einer autorisierten Werkstatt.

Nach erfolgreichem Versuch, den Brenner zu zünden, den Zünderknopf loslassen und die Flammengröße durch Drehen des Brennerknopfes einstellen. Durch Drehen des Knopfes um 90 Grad gegenüber der Ausgangsposition (Ventil geschlossen) wird die maximale Flammengröße eingestellt. Durch Drehen des Ventils im Uhrzeigersinn bis zum Anschlag wird eine kleine Flamme eingestellt, durch Drehen im Uhrzeigersinn bis zum Anschlag wird das Ventil geschlossen und die Flamme erlöscht. Wenn Sie den Knopf in einer Zwischenstellung zu den oben beschriebenen Positionen belassen, können Sie die gewünschte Flammenhöhe wählen.

Die Brenner sollten einzeln gezündet werden, die nächsten nur, wenn der vorherige gezündet wurde. Es ist verboten, mehrere Brenner gleichzeitig zu zünden.

Die Einstellung der Flammenhöhe der anderen Brenner muss nach dem oben beschriebenen Verfahren erfolgen.

Seitenbrennerbetrieb

Achtung! Den Brennerdeckel vollständig öffnen. Es ist verboten, den Brenner zu entzünden und die Speisen zu erhitzen, während der Brennerdeckel abgesenkt ist.

Der Brenner hat einen eingebauten Zündmechanismus, der eine Zündung des Luft-Gas-Gemisches ermöglicht. Der Seitenbrenner wird durch Drücken und Halten des Knopfes in dieser Position und anschließendes Drehen um 90 Grad gezündet. Das Gas-Luft-Gemisch sollte zünden. Ist dies nicht der Fall, drehen Sie den Bedienknopf in die Stellung „OFF“ und wiederholen Sie dann den Versuch. Die Einstellung der Flammengröße des Seitenbrenners erfolgt gleich, wie bei den anderen oben beschriebenen Brennern.

Der Seitenbrenner wird nur zu Heizzwecken von Behältern mit einem flachen Boden von 16 bis 22 cm Durchmesser eingesetzt. Es ist verboten, Gefäße mit anderen als flachen Böden, z.B. Woks, aufzustellen.

Vorgehensweise im Falle eines Gaslecks

Bei einem Gasleck oder gar einem Verdacht auf ein Gasleck oder wenn ein deutlicher Gasgeruch entsteht, das Gasflaschenventil und die Ventile aller Brenner sofort schließen. Trennen Sie dann die Gasflasche vom Grill. Wenn der Grill heiß ist, warten Sie, bis er abgekühlt ist. Warten Sie, bis das Gas gelüftet ist, überprüfen Sie das Gassystem auf Schäden. Werden keine festgestellt, einen Gasdetektor vorbereiten, die Gasflasche an den Grill anschließen und das Flaschenventil öffnen, um zu erkennen, wo das Gas austritt. Wenn keine Leckstelle gefunden wird und die Auswirkungen der Gasleckage noch beobachtet werden, bringen Sie den Grill zu einer autorisierten Servicestelle.

Schutz gegen Verbrennungen

Der Grill heizt sich während der Benutzung auf hohe Temperaturen auf. Die Grillabdeckung, der Rost und die Brennerabdeckung sind die am meisten beheizten Teile. Aber auch die übrigen Teile des Grills können sich auf Temperaturen erwärmen, die bei Berührung mit einer ungeschützten Hand zu schweren Verbrennungen führen können. Zum Schutz vor Verbrennungen Schutzhandschuhe tragen. Fassen Sie während der Arbeit niemals einen Teil des Grills mit ungeschützter Hand.

WARTUNG, LAGERUNG UND TRANSPORT

Wenn das Grillen beendet wurde, schließen Sie die Ventile aller Brenner, dann das Flaschenventil und trennen Sie sie vom Grill. Lassen Sie den Grill vollständig abkühlen. Grillrost, Schale und Brennerschutz müssen nach jedem Gebrauch mit Grill- oder Öfenreinigern gereinigt werden. Es wird nicht empfohlen, scharfe Metallgegenstände zur Reinigung von getrockneten Speiseresten zu verwenden.

Reinigen Sie die anderen Teile des Grills mit einem Tuch oder Schwamm und mit handelsüblichen Reinigungsmitteln zur Reinigung von Metalloberflächen.

Prüfen Sie vor jedem Einsatz den Zustand der Gasanlage, insbesondere der Brenner, wenn Rost oder Beschädigungen festgestellt werden, ersetzen Sie die defekten Teile durch neue. Wenden Sie sich dazu an eine autorisierte Fachwerkstatt des Herstellers.

Überprüfen Sie den Zustand des Schlauches vor jedem Gebrauch. Wenn Sie eine Beschädigung oder Abnutzung des Schlauches feststellen, ersetzen Sie ihn durch einen neuen. Es wird empfohlen, den Schlauch mindestens alle 10 Jahre zu wechseln, auch wenn er keine Verschleißerscheinungen aufweist.

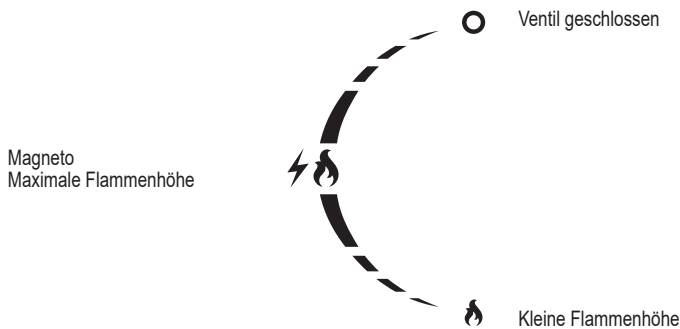
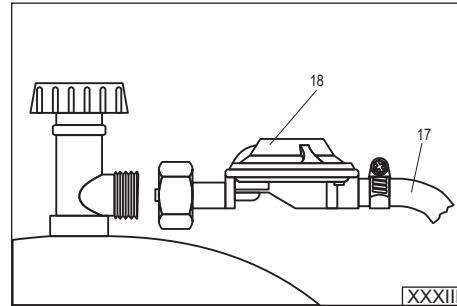
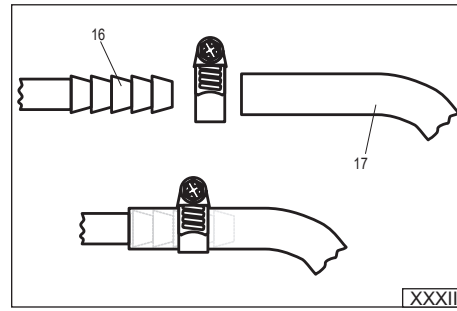
Stellen Sie sicher, dass alle Gasregler in folgender Position befinden, bevor Sie den Grill lagern: „geschlossen“. Schließen Sie das Ventil an der Gasflasche und trennen Sie es vom Grill. Es ist verboten, den Grill mit angeschlossener Gasflasche zu lagern. Der Grill und die Gasflasche müssen in trockenen und dunklen Räumen, geschützt vor unbefugtem Zugriff, gelagert werden. Lagern Sie den Grill an einem staubfreien Ort. Alle Brennerdeckel während der Lagerung schließen. Bei längerer Lagerung, z.B. im Winter, ist es ratsam, den Grill abzudecken, um ihn vor Staub und Schmutz zu schützen. Sorgen Sie für eine gute Belüftung im Lagerbereich, damit sich keine Feuchtigkeit auf den Bauteilen ansammelt, die zu Korrosion führen kann. Korrosion kann die Parameter von Komponenten der Gasinstallation verändern, was zu unkontrolliertem Gasausfluss und damit zu Feuer oder Explosion führen kann.

Die Lüftungsöffnungen des Lagerungsortes der Gasflasche nicht abdecken. Die Ansammlung von Gas kann zu einem Brand oder einer Explosion führen.

Transportieren Sie den Grill über kurze Strecken (mehrere Meter) mit den daran befestigten Rädern. Wenn Sie den Grill mit Transportmitteln über weite Strecken transportieren müssen, demonstrieren Sie den Grill, transportieren Sie ihn in der Originalverpackung und bauen Sie ihn wieder zusammen. Es ist verboten, den Grill auf größere als o. g. Entfernung mit angeschlossener Gasflasche zu transportieren. Vor dem Transport das Flaschenventil schließen und dann vom Grill trennen.

17. Gasschlauch (nicht enthalten - separat erhältlich)

18. Gas-Druckregler (nicht enthalten - separat erhältlich)



ИНСТРУКЦИИ ПО БЕЗОПАСНОСТИ

Применять только на открытом воздухе. Из-за возможности накопления газа, что может привести к пожару или взрыву, разрешается использовать гриль только на открытом воздухе. Запрещается использовать гриль в гаражах, ангарах и других помещениях. Гриль не должен подвергаться воздействию атмосферных осадков.

Прочтите инструкцию перед использованием устройства. Соблюдение указаний, содержащихся в ней, может предотвратить получение травм пользователем в связи возникновением пожара или взрыва. Храните данное руководство в течение всего срока службы гриля. В случае передачи устройства другим людям, передайте им также инструкции.

ПРЕДУПРЕЖДЕНИЕ: доступные части устройства могут быть очень горячими. Держите детей подальше от устройства. Используя устройство, помните, что в связи с пламенем части инструмента нагреваются до высоких температур. Используйте термостойкие перчатки и беритесь только за ручки для этого предназначенные.

Не перемещайте устройство во время его работы. При перемещении устройства во время работы оно может упасть, что может привести к серьезным ожогам и пожару. Во время перемещения может отсоединиться гибкий шланг, соединяющий газовый баллон с решеткой, что может привести к неконтролируемой утечке газа и вызвать пожар или взрыв.

После использования закройте кран на газовом баллоне. Закрытие кранов, установленных на решетке, не приведет к отключению подачи газа к решетке. Оставление установки под давлением может привести к неконтролируемой утечке газа, и в результате - к пожару и взрыву.

Не разрешается изменять конструкцию устройства. Производитель гарантирует безопасность только в том случае, если гриль установлен в соответствии с его рекомендациями. Неправильно осуществленные переделки могут привести к неконтролируемой утечке газа, и в результате - к пожару и взрыву.

ИСПОЛЬЗОВАНИЕ ГРИЛЯ

ПРЕДУПРЕЖДЕНИЕ! Устройство во время использования следует держать вдали от легковоспламеняющихся материалов.

ПРЕДУПРЕЖДЕНИЕ! Во время использования гриля следует носить перчатки, защищающие от ожогов.

ПРЕДУПРЕЖДЕНИЕ! Во время подключения газового баллона и эксплуатации гриля запрещается курить и приближаться к пламени.

Назначение гриля

Гриль предназначен для приготовления блюд на открытом воздухе. Продукт предназначен только для частного использования и не может использоваться в торговле или в коммерческих целях.

Запрещается использовать другое топливо, чем указано в инструкциях. Гриль нельзя использовать для обогрева помещений и для нагревания других продуктов, кроме пищевых. Главная решетка используется для приготовления блюд, располагая продукты непосредственно на ней. Запрещается ставить на нее посуду, например, кастрюли или сковородки. Для нагрева еды в посуде предназначена боковая горелка, на решетку боковой горелки нельзя выкладывать продукты без посуды.

Технические характеристики

Наименование товара: Газовый гриль

Номер продукта: YG-20018

Входная тепловая мощность: 11,2 кВт (814 г / ч) (3 x 3,0 кВт + 2,2 кВт)

Вид и давление подаваемого газа: бутан G30 и пропан G31 при давлении 37 мбар

Категория газового устройства в соответствии с EN 498: I^{3BP(37)}

Метод подачи газа: газовые баллоны весом 11 кг; максимальный размер баллона составляет 310 мм в диаметре и 600 мм в высоту, измеренного вместе с установленным краном.

Количество горелок: 3 главных горелки + 1 дополнительная горелка

Диаметр сопла: 3 x 0,82 мм + 1 x 0,66 мм

Размеры главной решетки дл. x шир.: 600 x 420 мм

Внешние размеры гриля с закрытой крышкой дл. x шир. x выс. 1220 x 570 x 1120 мм

Производитель и авторизованный сервис: TOYA S.A. ул. Солтысовицка, 13-15; 51-168 Вроцлав, Польша

Примечания по установке гриля

Запрещается самостоятельно изменять конструкцию гриля. Не разбирайте элементы, собранные на заводе и элементы запломбированные на заводе, особенно газовой установки. В случае боковой горелки может потребоваться отрегулировать электроподжиг перед первым использованием гриля. Искра должна перескакивать от электроподжига в место отверстий горелки. В противном случае электроподжиг может неправильно воспламенить газ или газ может совсем не загораться. При необходимости следует немного согнуть стержень электроподжига. Любая регулировка электроподжига должна производиться с отсоединенным газовым баллоном.

Подготовка гриля для использования

Убедитесь, что гриль была собран в соответствии с инструкциями. Гриль и баллон должны стоять на плоской, ровной и негорючей поверхности. Если на колесах гриля установлена блокада, используйте ее для обездвиживания гриля. Удостоверьтесь, что поблизости и над грилем нет легковоспламеняющихся предметов, а также других источников огня или тепла. Сохраняйте как минимум 1 метр свободного пространства вокруг гриля, а над грилем не должны находиться какие-либо препятствия.

Внимание! Убедитесь, что все ручки горелок находятся в закрытом положении.

Гриль должен быть подключен к газовому баллону через гибкий шланг и газовый редуктор. Как редуктор, так и шланг следует приобрести отдельно. Редуктор для этих установок набором был адаптирован к снижению давления газа в соответствии с требованиями в Польше. Редуктор должен отвечать требованиям европейского стандарта EN 16129. Если редуктор был подключен к шлангу на заводе, нельзя изменять это соединение.

Поместите металлический зажимной хомут на свободный конец шланга, а затем надвиньте на конец шланга соединительный патрубок гриля (XXXII). Закрепите соединение, зажимая хомут. Не затягивайте хомут слишком сильно, только в степени, обеспечивающей герметичность соединения. Слишком сильная затяжка хомута может привести к повреждению шланга. Газовый редуктор оснащен резьбовым патрубком, который следует привинтить к крану газового баллона с помощью ключа (XXXIII). Поместите баллон в такое место, чтобы гибкий шланг не был согнут, скручен и не подвергался чрезмерному напряжению. Перед подключе-

нием проверьте состояние шланга на предмет повреждения или износа. В случае повреждения или износа шланга замените его новым. Для этого гриль следует отправить в авторизованный ремонтный пункт. Запрещается самостоятельно заменять шланг или заменять его шлангом, который не предназначен для подачи газа. Минимальная длина шланга должна составлять 80 см, а максимальная не должна превышать 150 см. Используйте только гибкие шланги, предназначенные для передачи жидкого газа пропана или бутана. После подключения проверьте герметичность газовой установки.

Если местные правила требуют использования другого шланга и/или редуктора, их следует приобрести отдельно так, чтобы они соответствовали местным требованиям.

При нормальных условиях использования рекомендуется заменить правильно установленный редуктор каждые 10 лет с года изготовления, размещенного на редукторе. Местные правила могут предусматривать другие периоды замены редуктора. Если редуктор используется на открытом воздухе, он должен быть защищен от попадания воды. При использовании редуктора необходимо обеспечить хорошую вентиляцию, чтобы предотвратить конденсацию водяного пара внутри устройства. Редуктор приспособлен для работы при температуре окружающей среды от -20 до +50 гр. С. Если редуктор был установлен за другим редуктором, давление в системе должно быть отрегулировано так, чтобы оно находилось в диапазоне входного давления, приводимого в действие редуктором, прилагаемым к грилю.

Газовый баллон можно разместить внутри шкафа-гриля, но только в предназначенном для этого вырезе в полу. Запрещается вставлять цилиндр в другое место внутри шкафа гриля. Цилиндр также можно расположить снаружи гриля. Баллон должен быть установлен вертикально. Перед завинчиванием снимите пленку (пломбу) с крана баллона, проверьте состояние прокладки, и в случае отсутствия каких-либо повреждений и износа привинтите гайку редуктора к крану баллона. Соединение должно быть затянуто с силой, необходимой для обеспечения герметичности. Чрезмерное затягивание соединения может повредить прокладку, и соединение не достигнет требуемой герметичности. Запрещается привинчивать редуктор к крану с поврежденной прокладкой. В этом случае следует получить от производителя баллона информацию, необходимую для осуществления замены прокладки.

Следует медленно открутить кран баллона, пока он не будет полностью открыт, и проверить соединение на наличие утечек.

ПРЕДУПРЕЖДЕНИЕ! Если уже в процессе открытия крана баллона будет слышен звук выходящего газа и будет явно ощущен запах газа, немедленно закройте кран баллона. Проверьте, правильно ли закрыты краны горелки, а затем проверьте герметичность соединений.

ПРЕДУПРЕЖДЕНИЕ! Запрещается проверять герметичность соединения с помощью огня. Это может вызвать ожоги, пожар и взрыв. Следует использовать коммерчески доступные электронные или химические тестировщики. Перед их использованием следует прочитать прилагаемые к ним инструкции.

Кроме того, можно приготовить смесь мыла и воды в соотношении примерно ¼ мыла и ¾ воды, и покрыть ее газовой установкой. Появление пузырьков газа означает место утечки. В случае обнаружения утечки, следует завинтить кран баллона и устранить утечку, например, затягиванием соединения. Проверьте повторно на наличие утечек. Если удалите утечку не удалось, закройте кран баллона, отсоедините баллон от гриля, а затем передать его в авторизованный сервисный пункт на ремонт.

Если проверка герметичности газовой установки не выявила каких-либо утечек, можно начать использовать гриль.

Если гриль используется первый раз после периода хранения, проверьте состояние горелок. Снимите решетку и крышки горелок, проверьте состояние всех горелок, включая также боковую горелку, на наличие признаков грязи и ржавчины. Проверьте, не засорены ли горелки, сопла обнаружения утечки, следует завинтить кран баллона и устранить утечки, например, затягиванием соединения. Проверьте повторно на наличие утечек. Если удалите утечку не удалось, закройте кран баллона, отсоедините баллон от гриля, а затем передать его в авторизованный сервисный пункт. Запрещено использовать гриль с неисправной одной или несколькими горелками.

В тех случаях обнаружения влаги, например, из-за конденсации пара, следует осушить доступные поверхностью тканью или бумажным полотенцем, а затем оставить гриль в сухом месте, чтобы высушить влагу, скопленную в труднодоступных местах. Для того, чтобы ускорить процесс сушки следует открыть гриль и боковую горелку, снять крышки с горелок и решетку. Запрещено сушить гриль путем пропускания газа через установку. Запрещается включать гриль с влажными горелками, это может привести к неконтролируемому воспламенению газа, что может вызвать ожоги, пожар или взрыв.

Использование основных горелок

Внимание! Полностью откройте крышку гриля. Запрещено включать горелки при опущенной крышке.

На горелке расположена кнопка электроподжига, которая воспламеняет смесь воздуха и газа. Боковая горелка зажигается путем нажатия и удерживания регулятор в этом положении, а затем поворачивая его на 90 градусов. Должно произойти воспламенение смеси воздуха и газа. Если этого не произойдет, поверните регулятор в положение «ВЫКЛ», а затем повторите попытку зажечь горелку. Регулировка размера пламени боковой горелки такая же, как и для других горелок, описанных выше.

Если после нескольких проб нажатия не удастся зажечь горелку, это может означать, что сопло горелки заблокировано. В этом случае закройте кран горелки, закройте кран баллона, отсоедините баллон от гриля и передать его в авторизованный сервисный пункт.

После успешной попытки зажечь горелку необходимо отпустить кнопку и вращая регулятор горелки, отрегулировать размер пламени. Регулятор, повернутый на 90 градусов от исходного положения (кран закрыт), будет установлен на максимальный размер пламени. Поворачивая до упора вправо, можно установить минимальное пламя, а поворачивая до упора влево мы закрываем кран и выключаем пламя. Регулятор, повернутый в среднее положение относительно описанных выше, можно регулировать, подбирая необходимую высоту пламени.

Горелки следует зажигать по одной, следующую зажигать только после загорания предыдущей. Запрещается зажигать несколько горелок одновременно.

Регулировку высоты пламени остальных горелок следует выполнять согласно инструкции выше.

Использование боковой горелки

Внимание! Полностью откройте крышку горелки. Запрещается зажигать горелку и подогревать блюда при опущенной крышке горелки.

На горелке расположена кнопка электроподжига, которая воспламеняет смесь воздуха и газа. Боковая горелка зажигается путем нажатия и удерживания регулятор в этом положении, а

затем поворачивая его на 90 градусов. Должно произойти воспламенение смеси воздуха и газа. Если этого не произойдет, поверните регулятор в положение «ВЫКЛ», а затем повторите попытку зажечь горелку. Регулировка размера пламени боковой горелки такая же, как и для других горелок, описанных выше.

Боковая горелка используется только для подогрева блюд в посуде с плоским дном диаметром 16 - 22 см. Запрещается ставить на ней посуду с другим дном, чем плоские, например, воки.

Действия в случае утечки газа:

В случае утечки газа или только предполагаемой утечки газа, например, определенного запаха газа, следует немедленно закрыть кран газового баллона и краны всех горелок. Затем отсоедините газовый баллон от гриля. Если гриль горячий, подождите, пока он не остынет. Подождите, пока газ выветрится, проверьте газовую установку на наличие повреждений. Если они не будут обнаружены, подготовьте детектор газа, подключите газовый баллон к грилю и откройте кран баллона, чтобы обнаружить место утечки газа. Если утечка не будет обнаружена, но следствия утечки газа наблюдаются, следует сдать гриль в ремонт в авторизованный сервисный пункт.

Защита от ожогов

Во время использования гриль нагревается до высоких температур. Сильнее всего нагреваются является крышка гриля, решетки и крышки горелок. Тем не менее, также остальные части гриля могут нагреваться до температур, которые вызывают сильные ожоги, если коснуться голый рукой. При использовании гриля надевайте защитные перчатки для защиты от ожогов. Во время работы никогда не поднимайте какую-либо часть гриля с обнаженной рукой.

КОНСЕРВАЦИЯ, ХРАНЕНИЕ И ТРАНСПОРТИРОВКА

После использования гриля закройте краны всех горелок, затем закройте кран баллона и отсоедините его от гриля. Подождите, пока все элементы гриля полностью не остынут. Решетку, лоток и крышки горелок следует чистить после каждого использования средствами для очистки грилей или печей. Не рекомендуется использовать острые металлические предметы для очистки засохших остатков пищи.

Остальные элементы гриля следует очистить тканью или губкой с моющими средствами, имеющимися в продаже и предназначенными для очистки металлических поверхностей.

Перед каждым использованием проверьте состояние газовой системы, в частности горелок, если наблюдается ржавчина или повреждение, замените неисправные компоненты новыми. С этой целью обратитесь в авторизованный сервис производителя.

Перед каждым использованием проверьте состояние шланга. Если вы заметите какое-либо повреждение или износ шланга, замените его новым. Рекомендуется периодически заменять шланг не реже одного раза в 10 лет, даже если он не имеет признаков износа.

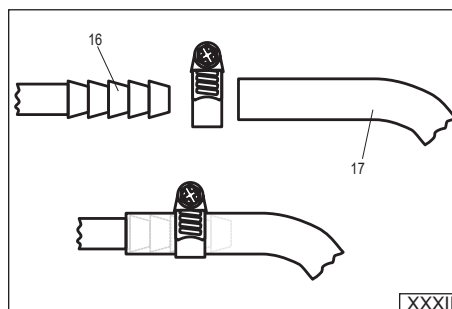
Прежде чем поставить гриль на хранение, убедитесь, что все регуляторы газа установлены в положение «Закрыто». Закройте кран на газовом баллоне и отсоедините его от гриля. Запрещается хранить гриль с подключенным газовым баллоном. Гриль и баллон следует хранить в сухих и темных помещениях, защищенных от несанкционированного доступа. Храните гриль в местах, свободных от пыли. Во время хранения закройте все крышки горелок. Во время длительного хранения, например, в зимний период, рекомендуется прикрывать гриль, чтобы защитить его от пыли и грязи. В месте хранения должна быть предусмотрена хорошая вентиляция, предотвращающая накопление влаги на деталях устройства, что может привести к коррозии. Коррозия может изменять параметры компонентов газовой системы, что может привести к неконтролируемой утечке газа и вызвать пожар или взрыв.

Не закрывайте вентиляционные отверстия в помещении, котором хранятся баллоны. Скопление газа может привести к пожару или взрыву.

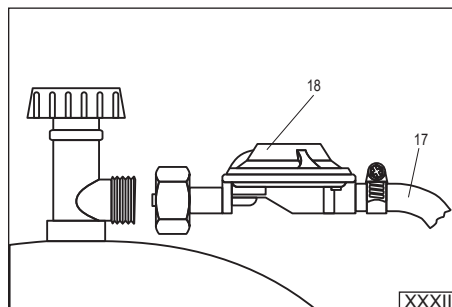
Гриль перевозить на короткие расстояния (несколько метров) с помощью колес. Если гриль нужно перевезти на значительное расстояние с помощью отдельных транспортных средств, гриль следует разобрать, перевезти в заводской упаковке и затем снова собрать. Запрещается перевозить гриль на любые расстояния с подключенным к нему газовым баллоном. Перед перевозкой закройте кран баллона, а затем отсоедините его от гриля.

17. газовый шланг (не входит в комплект - продается отдельно)

18. газовый редуктор (не входит в комплект - продается отдельно)



XXXII



XXXIII



інших пальників, описаних вище. Бічний пальник використовується тільки для підігріву страв в посуді з плоским дном діаметром 16 - 22 см. Забороняється ставити на ньому посуд з іншим дном, ніж плоске, наприклад, вокі.

Дії в разі витоку газу:

У разі витоку газу або тільки передбачуваної витоку газу, наприклад, певного запаху газу, слід негайно закрити кран газового балона і крани всіх пальників. Після цього від'єднайте газовий балон від гриля. Якщо гриль гарячий, почекайте, поки він не охолоне. Зачекайте, поки газ вивітриться, перевірте газову установку на наявність пошкоджень. Якщо вони не будуть виявлені, підготуйте детектор газу, підключіть газовий балон до грилю і відкрийте кран балона, щоб виявити місце витоку газу. Якщо витік не буде виявлений, але слідства витоку газу спостерігаються, слід здати гриль в ремонт в авторизований сервісний центр.

Захист від опіків

Під час використання гриль нагрівається до високих температур. Найсильніше нагріваються є кришка гриля, решітки та кришки пальників. Проте, також інші частини гриля можуть нагріватися до температур, які викликають сильні опіки, якщо торкнутися голою рукою. При використанні гриля надягайте захисні рукавички для захисту від опіків. Під час роботи ніколи не піднімайте будь-яку частину гриля з незахищеною рукою.

КОНСЕРВАЦІЯ, ЗБЕРІГАННЯ І ТРАНСПОРТУВАННЯ

Після використання гриля закрийте крани всіх пальників, потім закрийте кран балона і від'єднайте його від гриля. Зачекайте, поки всі елементи гриля повністю не охолонуть. Решітку, лоток і кришки пальників слід чистити після кожного використання засобами для очищення грилів або печей. Не рекомендується використовувати гострі металеві предмети для очищення засохлих залишків їжі.

Інші елементи гриля слід очистити тканиною або губкою з м'якими засобами, наявними у продажу і призначеними для очищення металевих поверхонь.

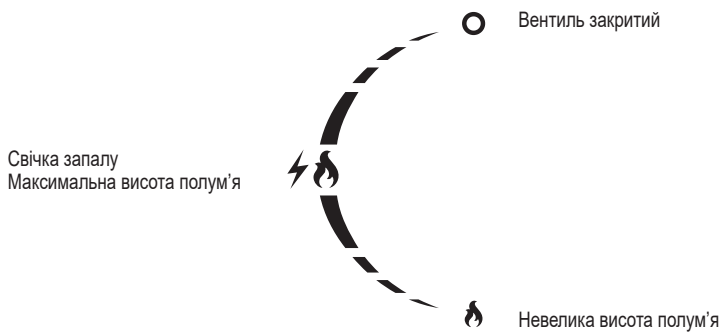
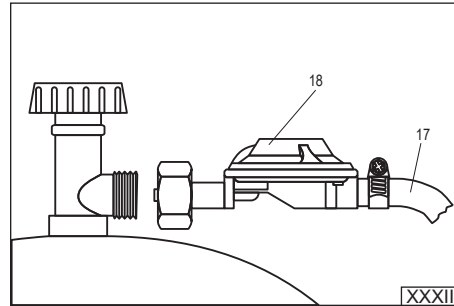
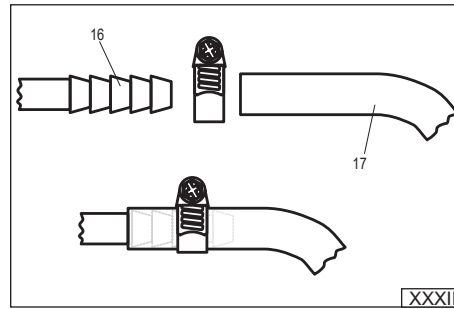
Перед кожним використанням перевірте стан газової системи, зокрема пальників, якщо спостерігається іржа або пошкодження, замініть несправні компоненти новими. З цієї метою зверніться в авторизований сервіс виробника. Перед кожним використанням перевірте стан шланга. Якщо ви помітите будь-яке пошкодження або знос шланга, замініть його новим. Рекомендується періодично замінювати шланг не рідше одного разу в 10 років, навіть якщо він не має ознак зносу.

Перш ніж поставити гриль в місце зберігання, переконайтеся, що всі регулятори газу встановлені в положення «Зачинено». Закрийте кран на газовому балоні і від'єднайте його від гриля. Забороняється зберігати гриль з підключеним газовим балоном. Гриль і балон слід зберігати в сухих і темних приміщеннях, захищених від несанкціонованого доступу. Зберігайте гриль в місцях, вільних від пилу. Під час зберігання закрийте всі кришки пальників. Під час тривалого зберігання, наприклад, в зимовий період, рекомендується прикрити гриль, щоб захистити його від пилу і бруду. У місці зберігання повинна бути передбачена добра вентиляція, що запобігає накопиченню вологи на деталях пристрою, що може привести до корозії. Корозія може змінювати параметри компонентів газової системи, що може призвести до неконтрольованої витоку газу і викликати пожежу або вибух.

Не закривайте вентиляційні отвори в приміщенні, якому зберігаються балони. Скупчення газу може привести до вибуху або пожежі.

Гриль перевозити на короткі відстані (кілька метрів) за допомогою коліс. Якщо гриль потрібно перевезти на значну відстань за допомогою окремих транспортних засобів, гриль слід розібрати, перевезти в заводській упаковці і потім знову зібрати. Забороняється перевозити гриль на будь-які відстані з підключеним до нього газовим балоном. Перед перевезенням закрийте кран балона, а потім від'єднайте його від гриля.

- 17. газовий шланг (не включено - продається окремо)
- 18. газовий редуктор (не включено - продається окремо)



Likusius kepsninės elementai reikia būti valomi skudurėliu, kempine ir plovikliu, kuriuos galima įsigyti ir kurie skirti metalinių paviršių valymui.

Prieš kiekvieną naudojimą patikrinkite dujų instaliacijos būklę, ypač degiklius, jei rūdys ar pažeidimai pastebimi, pakeiskite sugedusius komponentus naujais. Dėl to kreipkitės į įgaliotą gamintojo remontų centrą.

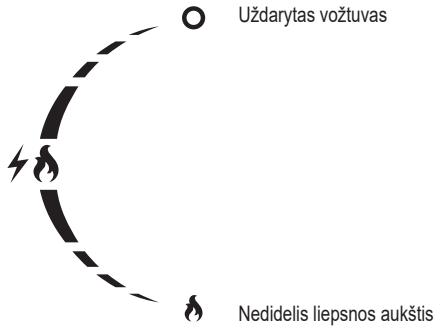
Prieš kiekvieną naudojimą patikrinkite žarnos būklę. Jei pastebėjote žarnos pažeidimą ar nusidėvėjimą, pakeiskite ją naują. Rekomenduojama periodiškai pakeisti žarną bent kas 10 metų net ir tuo atveju, jei joje nėra jokių nusidėvėjimo požymių.

Prieš pradėdami sandėliavimą, įsitikinkite, kad visi dujų regulatoriai nustatyti padėtyje: „uždaryta“. Uždarykite dujų baliono vožtuvą ir atjunkite jį nuo kepsninės. Kepsninę draudžiama laikyti su prijungtu dujų balionu. Kepsninė ir balionas turėtų būti laikomi sausose ir tamsiose patalpose, apsaugotose nuo neteisėtos prieigos. Laikykite kepsninę vietose be dulkių. Saugojimo metu uždarykite visus degiklių dangtelius. Ilgą laiką laikant, pavyzdžiui, žiemą, rekomenduojama uždengti kepsninę, kad apsaugotumėte ją nuo dulkių ir nešvarumų. Sandėliavimo patalpoje turi būti įrengta gera ventiliacija, užkertanti kelią drėgmės susikaupimui ant prietaiso dalių, dėl ko gali atsirasti korozija. Korozija gali keisti dujų sistemos komponentų parametrus, kurie gali sukelti nekontroliuojamą dujų išleidimą ir sukelti gaisrą ar sprogimą.

Neuždenkite baliono laikymo patalpos ventiliacijos angų. Dujų kaupimasis gali sukelti gaisrą ar sprogimą.

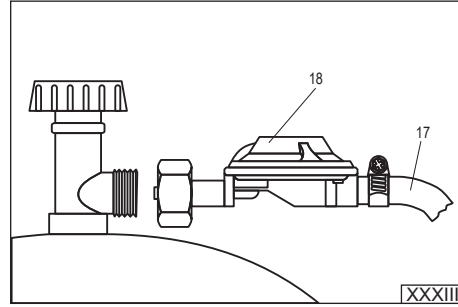
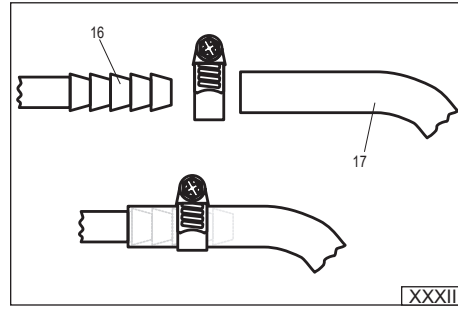
Transportuokite kepsninę trumpais atstumais (keletą metrų) naudodami prie jos pridėtus ratus. Jei kepsninė turi būti vežamas dideliais atstumais atskiromis transporto priemonėmis, kepsninė turėtų būti išmontuotas, gabenama gamyklinėje pakuotėje ir po to vėl sumontuota. Draudžiama kepsninę transportuoti bet kuriuo atstumu, jei prie jos prijungtas dujų balionas. Prieš transportuodami uždarykite baliono vožtuvą ir atjunkite jį nuo kepsninės.

Uždegiklis
Maksimalus liepsnos aukštis



17. dujų žarna (neįskaičiuota - parduodama atskirai)

18. dujų reduktorius (neįskaičiuota - parduodama atskirai)



tīrīšanai. Nav ieteicams izmantot asus metāla priekšmetus sakaldušu pārtikas atlieku noņemšanai. Pārējie grila elementi ir jātīra ar lupatīņu vai sūkli un tīrīšanas līdzekli, kas ir pieejami tirdzniecībā un paredzēti metāla virsmu tīrīšanai.

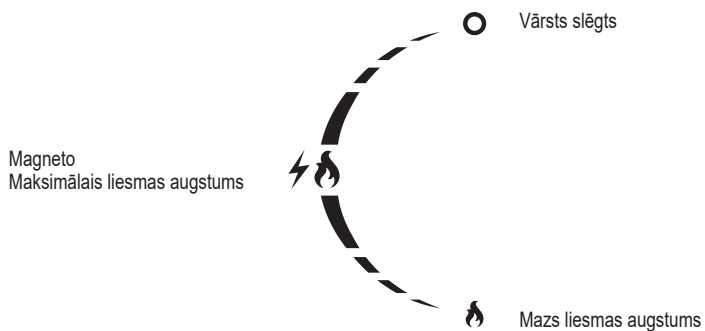
Pirms katras lietošanas reizes pārbaudiet gāzes sistēmas, it īpaši degļu, stāvokli, ja ir pamanīta rūsa vai bojājumi, nomainiet defektīvus elementus ar jauniem. Šim nolūkam jāsaazinās ar ražotāja autorizēto servisu centru.

Pirms katras lietošanas reizes jāpārbauda elastīgās šļūtenes stāvoklis. Ja ir pamanīti jebkādi bojājumi vai šļūtenes nodilums, nomainiet to ar jaunu. Ir ieteicams nomainīt šļūteni ne retāk kā ik pēc 10 gadiem, pat ja nav pamanāmi nekādi nodiluma simptomi.

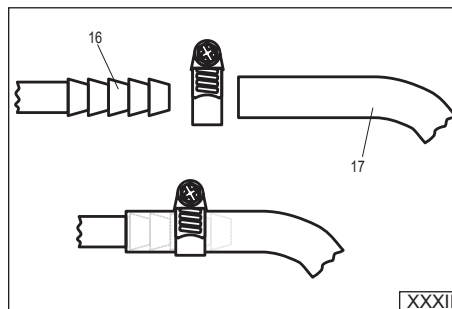
Pirms sākt uzglabāt grilu, jāpārlicinās, ka visi gāzes regulatori ir uzstādīti pozīcijā "slēgts". Aizveriet vārstu, kas atrodas uz gāzes balona, pēc tam atslēdziet to no grila. Nedrīkst uzglabāt grilu ar pieslēgtu gāzes balonu. Uzglabājiet grilu un gāzes balonu sausās un tumšās telpās, kas aizsargātas no nepilnvarotu personu piekļuves. Uzglabājiet grilu vietās, kas ir brīvas no putekļiem. Uzglabāšanas laikā aizveriet visus degļu vākus. Ilgstošās uzglabāšanas laikā, piemēram, ziemā, ir ieteicams aizsegt grilu, lai aizsargātu to no putekļu iedarbības. Uzglabāšanas laikā jānodrošina laba ventilācija, tas novērs mitruma uzkrāšanos uz ierīces elementiem, kas var izraisīt koroziju. Korozija var novest pie gāzes sistēmas parametru izmaiņas, kas var kļūt par nekontrolētas gāzes noplūdes un ugunsgrēka vai sprādziena iemeslu.

Neaizsedziet ventilācijas atveres telpās, kurās tiek uzglabāts gāzes balons. Gāzes uzkrāšanās var novest pie ugunsgrēka vai sprādziena.

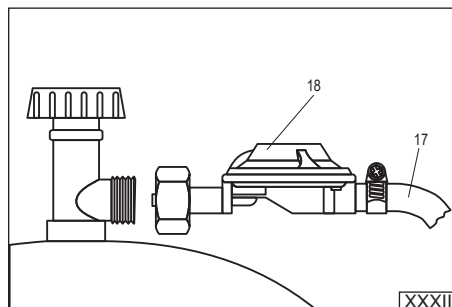
Transportējiet grilu uz nelieliem attālumiem (10–20 metri), izmantojiet tam pievienotos riteņus. Ja grilu nepieciešams transportēt uz lieliem attālumiem ar atsevišķiem transportlīdzekļiem, demontējiet grilu, transportējiet to oriģinālajā iepakojumā, pēc tam montējiet to atkārtoti. Nedrīkst transportēt grilu uz jebkādu attālumu ar pieslēgtu gāzes balonu. Pirms transportēšanas sākšanas aizveriet gāzes balona vārstu, pēc tam atslēdziet balonu no grila.



- 17. gāzes šļūtene (nav iekļauts - pārdots atsevišķi)
- 18. gāzes reduktors (nav iekļauts - pārdots atsevišķi)



XXXII

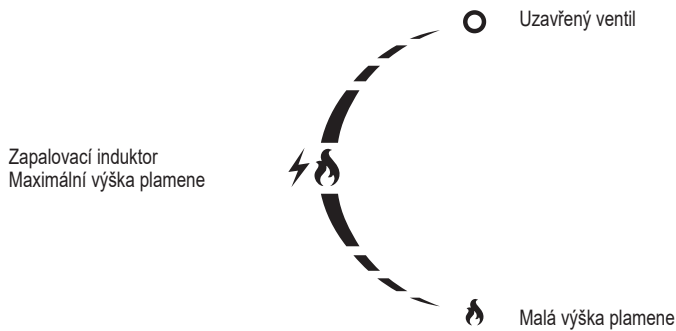


XXXIII

Obraťte se na zástupce zákaznického servisu pro vaši oblast.

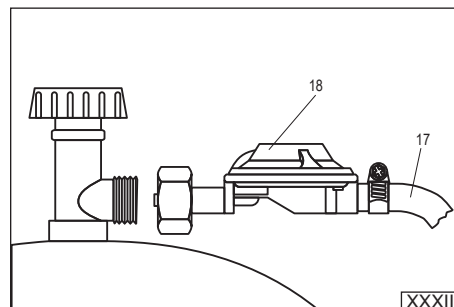
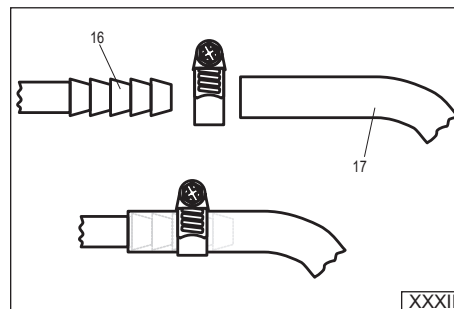
Hadici kontrolujte před každým použitím grilu. Pokud zjistíte jakékoliv poškození nebo opotřebení hadice, vyměňte ji za novou. Doporučuje se pravidelně vyměňovat hadici nejméně každých 10 let, i když nevykazuje žádné známky opotřebení. Jestliže plynový gril nepoužíváte, ujistěte se, že jsou regulační knoflíky hořáků v poloze „OFF“. Uzavřete ventil tlakové lahve, odpojte hadici a regulátor od tlakové lahve. Zásobní láhev s plynem, která není připojena pro bezprostřední používání, se nemá skladovat v blízkosti tohoto ani žádného jiného spotřebiče. Gril a láhev uchovávejte na suchých a tmavých místech, mimo dosah dětí. Uchovávejte na suchém, chladném místě bez prachu. Uzavřete ventily hořáků. Po delším období uskladnění/ nepoužívání, například v zimě, přikryjte zařízení, aby jste jej ochránili před prachem. Uchovávejte na dobře větraném místě, zabrání se tak nahromadění vlhkosti na součástech zařízení, což může vést k korozi. Koroze může měnit parametry součástí plynového systému a unikající plyn může způsobit požár nebo výbuch. Nezakrývejte větrací otvory skladovacího prostoru. Unikající plyn může způsobit požár nebo výbuch.

Dopravujte na krátké vzdálenosti (několik metrů), pomocí připojených kol. Pokud je třeba gril dopravovat na značné vzdálenosti pomocí samostatných dopravních prostředků, musí být demontován, přepravován v továrním obalu a znovu sestaven. Nepřepravujte gril s s připojenou lahví. Před přepravou uzavřete ventil lahve a následně ji odpojte od grilu.



17. plynová hadice (není součástí balení)

18. regulátor (není součástí balení)



ÚDRŽBA, UCHOVÁVANIE A PREPRAVA

Keď skončíte gril používať, zatvorte ventily všetky horákov, následne zatvorte ventil fľaše a odpojte ju od grilu. Počkajte, kým všetky časti grilu úplne nevychladnú. Rošt, tácku a kryty horákov čistíte po každom použití prípravkami určenými na čistenie grilov a rúr. Na čistenie zaschnutých a pripálených zvyškov neodporúčame používať ostré kovové predmety.

Zvyšné prvky grilu čistíte handričkou alebo špongiou a prípravkami, ktoré sú dostupné v predaji a sú určené na čistenie kovových povrchov.

Pred každým použitím skontrolujte stav plynovej inštalácie, predovšetkým horákov, ak si všimnete hrdzu alebo poškodenia, poškodené prvky vymeňte na nové, nepoškodené. V takom prípade kontaktujte autorizovaný servis výrobcu.

Pred každým použitím skontrolujte stav flexibilnej hadice. V prípade, ak objavíte akékoľvek poškodenie alebo opotrebovanie hadice, vymeňte ju na novú, nepoškodenú. Hadicu odporúčame pravidelne meniť, a to aspoň raz za 10 rokov, aj vtedy, ak nemá príznaky opotrebovania.

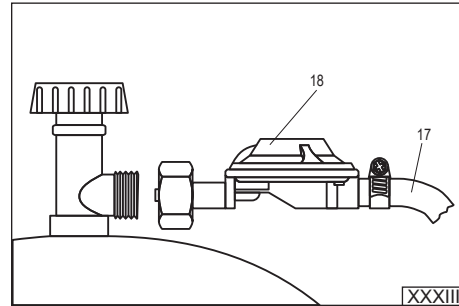
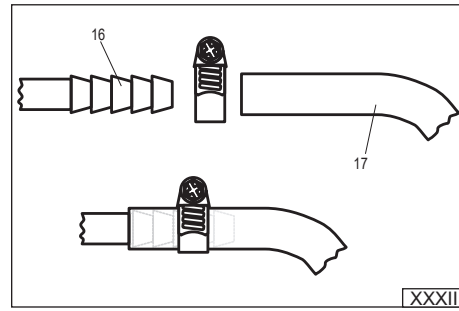
Predtým, než gril odložíte, uistite sa, že všetky plynové regulátory sú nastavené v polohe: „zatvorený“. Zatvorte ventil umiestnený na plynovej fľaši, a fľašu následne odpojte od grilu. Gril sa v žiadnom prípade nesmie uchovávať s pripojenou plynovou fľašou. Gril a fľašu uchovávajú na suchom a tmavom mieste, zabezpečenom voči prístupu nepovolaných osôb. Gril uchovávajú na nepravom mieste. Počas uchovávania zatvorte všetky veká horákov. Pri dlhšom uchovávaní, napríklad počas zimy, odporúčame, aby ste gril zakryli tak, aby bol chránený pred škodlivým vplyvom prachu a špiny. Na mieste uchovávania zabezpečte dobré vetranie tak, aby ste predišli hromadeniu sa na prvkoch zariadenia vlhkosti, ktorá môže spôsobiť koróziu. Následkom korózie sa môžu zmeniť parametre prvkov plynovej inštalácie, čo môže viesť k neriadenej úniku plynu a spôsobiť požiar alebo explóziu.

Nezakrývajte vetracie otvory miestnosti na uchovávanie plynových fľaš. Nahromadenie plynu môže viesť k požiaru alebo k výbuchu.

Gril na nevelké vzdialenosti (do 20 metrov) prenášajte pomocou koliesok, ktoré sú k nemu pripojené. Ak gril potrebujete prepraviť na väčšiu vzdialenosť osobitným dopravným prostriedkom, gril pred prepravou rozmontujte, prepravte v originálnom obale, a následne opätovne zmontujte. Gril sa v žiadnom prípade na žiadnu vzdialenosť nesmie prepravovať s pripojenou plynovou fľašou. Pred každým presunom zatvorte ventil fľaše a následne ju odpojte od grilu.

17. plynová hadica (nie je súčasťou dodávky - predáva sa samostatne)

18. plynový reduktor (nie je súčasťou dodávky - predáva sa samostatne)



Zapaľovanie
Maximálna výška plameňa

Malá výška plameňa

burkolata forrószik fel. Azonban a grill többi része is felhevülhet annyira, hogy komoly égési sérülést okozzon abban az esetben, ha nem lefedett kézzel ér hozzá. A grill használatakor az égési sérülések elkerülése érdekében viseljen védőkesztyűt. Működés közben soha ne nyúljon a grill egyik részéhez sem lefedetlen kézzel.

KARBANTARTÁS, TÁROLÉS ÉS SZÁLLÍTÁS

A grill használata után zárja el az összes gázégő szelepét, majd zárja el a gázpalack szelepét is és csatlakoztassa le a gázpalackot a grillről. Várja meg, hogy a grill mindegyik alkatrésze lehűljön. A rácsot, a tálcát és a gázégők burkolatait minden használat után mossa le grill- vagy tűzhelytisztító szerrel. Ne használjon éles fémtárgyat az odaszáradt ételmaradványok eltávolításához.

A grill többi alkatrészét ronggyal vagy szivaccsal, valamint boltokban kapható, fém felületek tisztítására alkalmas tisztítószerrel tisztítsa.

A termék használata előtt mindig ellenőrizze le a gázrendszer, különösen a gázégők állapotát. Ha rozsdát vagy károsodást vél felfedezni, cserélje ki az adott alkatrészt egy újra. E célból vegye fel a kapcsolatot a gyártó hivatalos szakszervizével.

Használat előtt mindig ellenőrizze le a rugalmas cső állapotát. Ha bármilyen károsodást vagy elhasználódást fedez fel a csövön, cserélje ki egy újra. Ajánlott a cső rendszeres cseréje, maximum 10 évente, még akkor is, ha nem látszódnak rajta az elhasználódás jelei.

A grill tárolása előtt győződjön meg arról, hogy mindegyik gázszabályozó gomb „zárt” pozícióba van állítva. Zárja el a gázpalackon található szelepet, majd csatlakoztassa le a gázpalackot a grillről.

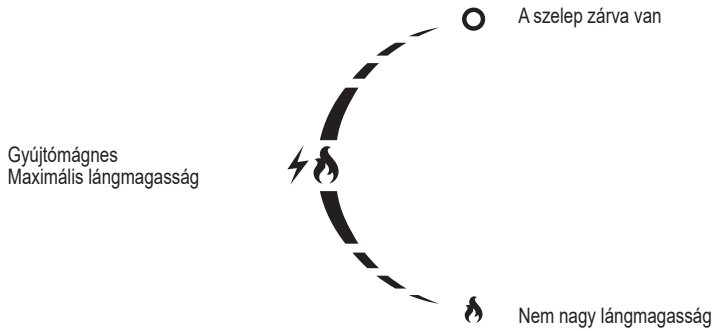
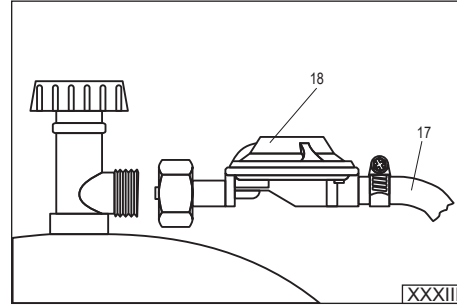
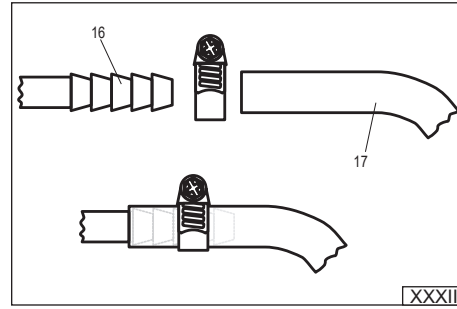
Tilos a grillt csatlakoztatott gázpalackkal tárolni. A grillt és a gázpalackot hűvös, száraz, illetéktelen hozzáféréstől védett helyen kell tárolni. Tárolja pormentes helyen a terméket. Tároláskor zárja le az összes gázégő burkolatát. Hosszabb tárolás esetén, például télen, ajánlott a grillt a por és szennyeződés elleni védelem érdekében lefedni. A tárolás helyén biztosítson jó szellőzést, amely megakadályozza a grill alkatrészeinek a vízecsapódást, ezzel védelmet nyújtva a rozsdásodás ellen. A rozsdásodás a gázrendszer paramétereinek megváltozásához vezethet, ami ellenőrizetlen gázszivárgáshoz, tűzhöz vagy robbanáshoz vezethet.

Ne takarja le a tárolásra használt helyiség szellőzőnyílásait. A gázfelgyülemelés tűzhöz vagy robbanáshoz vezethet.

A grill kis távolságokra (10-20 méter) való áthelyezésekor használja a termék kerekeit. Ha a terméket különálló szállítóeszköz igénybevételével nagyobb távolságokra szeretné szállítani, szerelje szét a grillt, a szállítás időtartamára helyezze gyári csomagolásba, majd ismét szerelje össze. Tilos a grillt bármilyen távolságra csatlakoztatott gázpalackkal szállítani. A szállítás megkezdése előtt zárja el a gázpalack szelepét és csatlakoztassa le a grillről.

17. gázcső (nem tartalmazza - külön megvásárolható)

18. gázreduktor (nem tartalmazza - külön megvásárolható)



Așteptați ca gazul să se aerisească, verificați dacă instalația de gaz este deteriorată. Dacă nu sunt observate scurgeri, pregătiți un detector de gaz, conectați butelia de gaz la gratar și deschideți robinetul buteliei pentru a începe detectarea locului de scurgere a gazului. Dacă scurgerea nu este găsită, dar se observă în continuare scurgeri de gaz, trebuie să transmiteți grătarul la un punct de service autorizat.

Protecția împotriva arsurilor

În timpul utilizării, grătarul se încălzește la temperaturi ridicate. Cel mai fierbinte este capacul grătarului, grilajul și capacele arzătoarelor. Cu toate acestea, chiar și alte părți ale grătarului se pot încălzi la temperaturi care provoacă arsuri grave dacă sunt atinse cu o mână goală. În timpul folosirii grătarului purtați mănuși pentru a vă proteja de arsuri. În timpul lucrului, nu ridicați nicio parte a grătarului cu mâna goală.

ÎNȚREȚINERE, DEPOZITARE ȘI TRANSPORT

După utilizarea grătarului, închideți supapele tuturor arzătoarelor, apoi închideți robinetul buteliei și deconectați-o de la grătar. Așteptați până când toate elementele grătarului se răcesc complet. Grilajul, tavele și capacele arzătoarelor trebuie curățate după fiecare utilizare cu agenți pentru curățarea grătarelor sau cuptoarelor. Nu se recomandă utilizarea obiectelor metalice ascuțite pentru curățarea resturilor de alimente uscate.

Celelalte elemente ale grătarului trebuie curățate cu o cârpă sau burete și detergenți disponibili în comerț și destinați curățării suprafețelor metalice.

Înainte de fiecare utilizare, verificați starea sistemului de gaz, în special arzătoarele, dacă se observă rugină sau deteriorări, înlocuiți componentele defecte cu altele noi. În acest scop, vă rugăm să contactați serviciul autorizat al producătorului.

Înainte de fiecare utilizare trebuie verificată starea furtunului flexibil. Dacă observați deteriorarea sau uzura furtunului, înlocuiți-l cu unul nou. Se recomandă înlocuirea periodică a furtunului cel puțin o dată la 10 ani, chiar dacă nu prezintă semne de uzură.

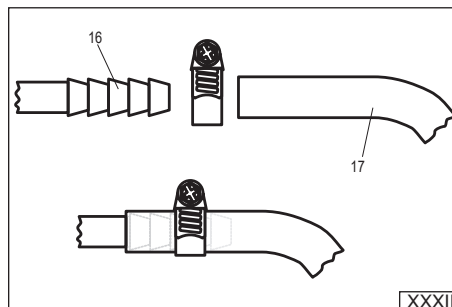
Înainte de a depozita grătarul, asigurați-vă că toate regulatoarele de gaz au fost setate în poziția: „închis”. Închideți robinetul de pe butelia de gaz, iar apoi, deconectați-o de la grătar. Este interzisă depozitarea grătarului cu o butelie de gaz conectată. Grătarul și butelia trebuie depozitate într-o încăpăre uscată și întunecată, protejată împotriva accesului neautorizat. Depozitați grătarul în locuri fără praf. În timpul depozitării, închideți toate capacele arzătoarelor. În timpul unei depozitări prelungite, de exemplu în timpul iernii, se recomandă acoperirea grătarului pentru a fi protejat de praf și murdărie. Trebuie să fie asigurată o bună aerisire în zona de depozitare, prevenind acumularea de umiditate pe părțile echipamentului, ceea ce poate duce la coroziune. Corodarea poate schimba parametrii componentelor sistemului de gaz, ceea ce poate duce la o scurgere necontrolată de gaz și poate provoca un incendiu sau o explozie.

Nu acoperiți orificiile de ventilație în încăperea de depozitare a buteliei. Acumularea de gaz poate duce la un incendiu sau explozie.

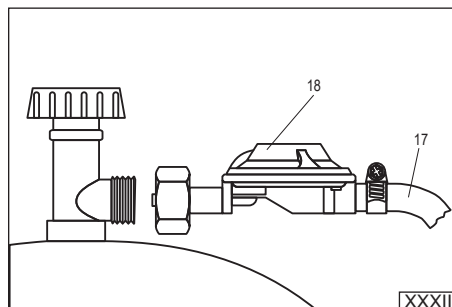
Mutați grătarul pe distanțe scurte (câțiva metri) folosind roțile atașate la acesta. Dacă grătarul trebuie să fie transportat pe distanțe considerabile cu ajutorul mijloacelor de transport, grătarul trebuie dezamblat, transportat în ambalajul original de fabrică și apoi reasamblat. Este interzis transportul grătarului la orice distanță cu butelia de gaz conectată la acesta. Înainte de a începe transportul, închideți robinetul buteliei și apoi deconectați-o de la grătar.

17. furtun de gaz (nu sunt incluse - vândute separat)

18. reductor de gaz (nu sunt incluse - vândute separat)

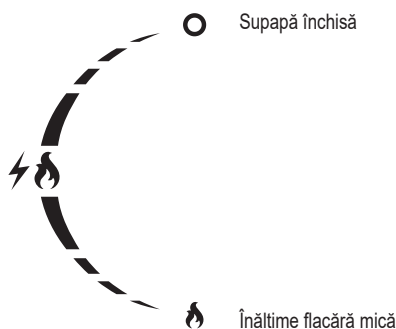


XXXII



XXXIII

Magnetou
Înălțimea maximă a flăcării



INSTRUCCIONES DE SEGURIDAD

Utilícelo sólo al aire libre. Debido a la posibilidad de acumulación de gas, que puede provocar un incendio o una explosión, se permite utilizar la barbacoa solo al aire libre. Está prohibido el uso de la barbacoa en garajes, pasillos u otras habitaciones. No exponga la barbacoa a la precipitación. **Lea el manual antes de utilizar el aparato.** El cumplimiento de las instrucciones proporcionadas puede proteger al usuario de lesiones, incendios o explosiones. Guarde estas instrucciones mientras use la barbacoa. Si transmite el producto a otras personas, por favor, páselo junto con las instrucciones.

ADVERTENCIA: Las partes accesibles de la unidad pueden estar muy calientes. Mantenga a los niños alejados de la unidad. Al utilizar el aparato, tenga en cuenta que las partes del aparato se calientan a altas temperaturas cuando se exponen a las llamas. Use guantes protectores contra el calor y solo use las asas provistas.

No mueva el aparato mientras esté en funcionamiento. La manipulación del aparato mientras está en funcionamiento puede provocar que se vuelque, lo que puede provocar quemaduras graves e incendios. Durante la manipulación, la manguera flexible que une la botella de gas con la barbacoa puede romperse, provocando un flujo de gas incontrolado e incendio o explosión.

Después del uso, cierre la válvula de la botella de gas. El cierre de las válvulas situadas en la barbacoa no cortará el suministro de gas a la misma. Si la instalación se deja bajo presión, existe el riesgo de un flujo incontrolado de gas, lo que puede resultar en incendio y explosión.

No cambie la estructura de la unidad. El fabricante solo puede garantizar la seguridad si la barbacoa se instala de acuerdo con sus instrucciones. Las modificaciones incorrectas pueden provocar la liberación incontrolada de gas, causando riesgos de incendio y explosión.

USO DE LA BARBACOA

¡ADVERTENCIA! Mantenga el aparato alejado de materiales inflamables cuando lo utilice.

¡ADVERTENCIA! Use guantes protectores cuando use la unidad.

¡ADVERTENCIA! Cuando conecte la botella de gas y use la barbacoa, no debe fumar ni acercarse con el fuego.

Uso previsto de la barbacoa

La barbacoa está diseñada para preparar platos al aire libre. El producto está destinado solo para el uso personal y no puede ser utilizado para la venta o para los fines comerciales.

Está prohibido utilizar cualquier otro combustible que no sea el especificado en el manual de instrucciones. No use el aparato para calentar habitaciones o productos que no sean alimentos. La parrilla principal se utiliza para preparar platos colocándolos directamente sobre la misma. Está prohibido poner en ella platos como ollas o sartenes. El quemador lateral se utiliza para calentar platos en recipientes, en la parrilla del quemador lateral está prohibido preparar los platos directamente.

Datos técnicos

Nombre del producto: Barbacoa a gas

Número de catálogo del producto: YG-20018

Potencia térmica de entrada: 11,2 kW (814 g/h) (3 x 3,0 kW + 2,2 kW)

Tipo y presión del gas de alimentación: butano G30 y propano G31 a 37 mbar

Categoría del aparato de gas según EN 498: I

Método de suministro de gas: botellas de gas de 11 kg; tamaño máximo de la botella: 310 mm de diámetro y 600 mm de altura, medidas con la válvula instalada.

Número de quemadores: 3 quemadores principales + 1 quemador auxiliar

Diámetro de la boquilla: 3 x 0,82 mm + 1 x 0,66 mm

Dimensiones de la parrilla principal largo x ancho: 600 x 420 mm

Medidas exteriores de la barbacoa con tapa cerrada: largo x ancho x alto 1220 x 570 x 1120 mm

Fabricante y servicio técnico autorizado: TOYA S.A. ul. Sołtysowicka 13-15, 51-168 Wrocław, Polonia

Notas para la instalación de la barbacoa

Está prohibido cambiar la estructura de la parrilla por su cuenta. No desmonte los componentes ensamblados o sellados en fábrica, especialmente la instalación de gas.

En el caso del quemador lateral, puede ser necesario ajustar el encendedor antes del primer uso. La chispa debe saltar del encendedor a los orificios del quemador. En otro caso, es posible que el encendedor no encienda el gas correctamente o que no lo encienda en absoluto. Si es necesario, doble la espiga del encendedor aplicando una pequeña fuerza. El ajuste del encendedor debe realizarse con la botella de gas desconectada.

Preparación de la barbacoa para su uso

Asegúrese de que la barbacoa esté ensamblada de acuerdo con las instrucciones. La barbacoa y las botellas se colocarán sobre una superficie plana, nivelada e inflamable. Si las ruedas de la barbacoa están equipadas con un dispositivo de bloqueo, éste debe utilizarse para bloquear la unidad. Asegúrese de que no haya objetos inflamables u otras fuentes de fuego o calor cerca, incluso en la barbacoa. Mantenga al menos 1 metro de espacio libre alrededor de la unidad. Por encima de ella no debe haber obstáculos.

¡Atención! Verifique que todas las perillas de los quemadores de la barbacoa estén en la posición cerrada.

La barbacoa debe estar conectada a la botella de gas por medio de una manguera flexible y un reductor de gas. Tanto el reductor como la manguera deben adquirirse por separado. El reductor en los conjuntos arriba mencionados ha sido adaptado para reducir la presión del gas de acuerdo con los requisitos vigentes en Polonia. El reductor debe cumplir la norma europea EN 16129. Si el reductor está conectado a la manguera en fábrica, esta conexión no debe modificarse.

Coloque la abrazadera metálica en el extremo suelto de la manguera y deslice el extremo de la manguera en el tubo de conexión de la barbacoa (XXXII). Asegure la conexión apretando la abrazadera. No la apriete demasiado, sino solo en la medida que se garantice la estanqueidad de la unión. Un apriete excesivo de la abrazadera puede dañar la manguera. El reductor de gas está equipado con una conexión roscada, que debe atornillarse a la válvula de la botella de gas con la llave (XXXIII). Coloque la botella de manera que la manguera no esté doblada, retorcida o excesivamente tensada. Compruebe si la manguera está dañada o desgastada antes de conectarla. Si se descubre algún daño o desgaste en la manguera, sustitúyala por una manguera nueva y entregue la barbacoa a un centro de servicio autorizado. Está prohibido cambiar la manguera por sí mismo o sustituirla por una manguera no prevista para el suministro de gas. La manguera debe tener una longitud de 80 cm y no debe exceder los 150 cm. Use solo mangueras flexibles diseñadas para transportar gas líquido, propano o butano. Una vez hecha la conexión, debe comprobarse la estanqueidad de la instalación de gas.

Si las regulaciones locales requieren el uso de una manguera y/o reductor diferente, cómprelos por separado para cumplir con los requisitos locales.

En condiciones normales de uso, se recomienda sustituir el reductor correctamente instalado cada 10 años a partir del año de fabricación indicado en el reductor. Las regulaciones locales pueden requerir diferentes intervalos de reemplazo para el reductor. Si el reductor se utiliza en el exterior, deberá instalarse o protegerse contra la entrada de agua. Cuando utilice el reductor, asegúrese de que haya una buena ventilación para evitar la condensación del vapor de agua dentro de la unidad. El reductor está diseñado para funcionar a temperaturas ambiente de -20 a +50 grados centígrados. Si el reductor se instala detrás de otro reductor, entonces la presión en la instalación debe ajustarse para que esté dentro del rango de presión de entrada soportado por el reductor conectado a la barbacoa.

La bombona de gas puede colocarse en el interior del armario de la parrilla, pero sólo en la escotadura del suelo prevista para ello. Está prohibido introducir el cilindro en otro lugar dentro del armario de la parrilla. El cilindro también puede colocarse fuera de la parrilla. La botella debe instalarse verticalmente. Antes de atornillarla, se debe retirar la lámina de sellado (sello) de la válvula de la misma para comprobar el estado de la junta y, en caso de cualquier daño o desgaste, se debe atornillar la tuerca reductora a la válvula de la botella. La unión debe apretarse con la fuerza necesaria para lograr la estanqueidad. Un apriete excesivo de la unión puede dañar la junta y ésta no alcanzará la estanqueidad requerida. Está prohibido atornillar el reductor a la válvula con una junta dañada. En este caso, póngase en contacto con el fabricante de la botella para obtener la información necesaria sobre cómo reemplazar la junta.

Desenrosque lentamente la válvula de la botella hasta que esté completamente abierta y compruebe si hay fugas en las conexiones.

¡ADVERTENCIA! Si ya se puede oír la fuga de gas y se puede detectar claramente el olor a gas mientras se abre la válvula de la botella, ciérrala inmediatamente. Compruebe que las válvulas de los quemadores estén cerradas y, a continuación, compruebe si hay fugas en las conexiones. **¡ADVERTENCIA!** Está prohibido comprobar la estanqueidad de la conexión por medio del fuego. Esto puede resultar en quemaduras, incendio y explosión. Utilice probadores electrónicos o químicos disponibles en el mercado. Antes de utilizarlos, lea las instrucciones suministradas con ellos.

También es posible preparar una mezcla de agua y jabón en proporciones de aproximadamente ¼ jabón por ¾ agua y cubrir la instalación de gas con ella. Si se observan burbujas de gas, significa que el sistema tiene fugas. Si se observan fugas, cierre la válvula de la botella y elimine las fugas, por ejemplo, apretando las conexiones. Repita la prueba de estanqueidad de la instalación. Si no se pueden eliminar las fugas, cierre la válvula de la botella, desconecte la botella de la barbacoa y devuelva la barbacoa a un taller autorizado.

Si la comprobación de estanqueidad al gas no detecta fugas, la barbacoa puede ponerse en funcionamiento.

Si la barbacoa se enciende después del período de almacenamiento, compruebe el estado de los quemadores. Retire la parrilla y los protectores del quemador, compruebe el estado de todos los quemadores, incluidos los laterales, en busca de suciedad y óxido. Compruebe que los quemadores y las boquillas no estén obstruidos por suciedad, residuos de alimentos o insectos. Antes de usar la barbacoa, limpie los quemadores con productos de limpieza para barbacoas u hornos. Si se descubre que la boquilla de gas está obstruida, está prohibido repararla por su cuenta. En este caso, entregue la barbacoa a un centro de servicio autorizado. Está prohibido utilizar la barbacoa con uno o más quemadores inoperativos.

Si se detecta humedad, por ejemplo por condensación, seque las superficies accesibles con un paño o toallas de papel y, a continuación, deje la barbacoa en un lugar seco para que se seque la humedad acumulada en las zonas inaccesibles. Para acelerar el proceso de secado, abra la tapa de la barbacoa y el quemador lateral, retire las tapas de los quemadores y la parrilla. Está prohibido el secado por paso de gas a través del sistema. Está prohibido poner en marcha la barbacoa con quemadores húmedos, ya que puede provocar una ignición incontrolada del gas, que puede resultar en quemaduras, incendios o explosiones.

Funcionamiento de los quemadores principales

¡Atención! Abra completamente la tapa de la barbacoa. Está prohibido encender los quemadores cuando la tapa está bajada.

El quemador tiene un encendedor incorporado que permite que la mezcla de aire/gas se encienda. El quemador lateral se enciende presionando y manteniendo la perilla en esta posición y luego girándola 90 grados. Se encenderá la mezcla de gas/aire. Si esto no sucede, gire la perilla a la posición «OFF» y luego repita la prueba de ignición del quemador. El ajuste del tamaño de la llama del quemador lateral es el mismo que para los otros quemadores descritos anteriormente.

Si el quemador no puede encenderse incluso después de varios intentos, puede significar que se ha bloqueado la boquilla del quemador. En este caso, cierre la válvula del quemador, cierre la válvula de la botella, desconecte la botella de la barbacoa y entréguela a un taller autorizado.

Después de un intento exitoso de encender el quemador, libere el botón de encendido y ajuste el tamaño de la llama girando la perilla del quemador. Dejando la perilla 90 grados girada con respecto a la posición inicial (válvula cerrada) se ajustará el tamaño máximo de la llama. Girando la válvula en el sentido horario hasta el tope se encenderá una pequeña llama, y girándola en el sentido antihorario hasta el tope se cerrará la válvula y se apagará la llama. Si deja el perilla en una posición intermedia a la posición descrita anteriormente, puede seleccionar la altura de llama deseada.

Los quemadores deben encenderse individualmente, los siguientes deben encenderse solo cuando se enciende el anterior. Está prohibido encender varios quemadores simultáneamente.

El ajuste de la altura de llama de los demás quemadores debe realizarse de acuerdo con el procedimiento descrito anteriormente.

Funcionamiento del quemador lateral

¡Atención! Abra completamente la tapa del quemador. Está prohibido encender el quemador y calentar los platos mientras la tapa del quemador está bajada.

El quemador tiene un encendedor incorporado que permite que la mezcla de aire/gas se encienda. El quemador lateral se enciende presionando y manteniendo la perilla en esta posición y luego girándola 90 grados. Se encenderá la mezcla de gas/aire. Si esto no sucede, gire la perilla a la posición «OFF» y luego repita la prueba de ignición del quemador. El ajuste del tamaño de la llama del quemador lateral es el mismo que para los otros quemadores descritos anteriormente.

El quemador lateral solo se utiliza para fines de calefacción de recipientes con un fondo plano de 16 a 22 cm de diámetro. Está prohibido poner en él recipientes que no sean de fondo plano, por ejemplo, woks.

Medidas de emergencia en caso de fuga de gas

En caso de una fuga de gas o incluso de una sospecha de fuga de gas, por ejemplo, huele clara-

mente a gas, la válvula de la botella de gas y las válvulas de todos los quemadores deben cerrarse inmediatamente. Luego desconecte la botella de gas de la barbacoa. Si la barbacoa está caliente, espere a que se enfríe. Espere hasta que se ventile el gas, compruebe que el sistema de gas no esté dañado. Si no es así, prepare un detector de gas, conecte la botella de gas a la barbacoa y abra la válvula de la misma para comenzar a detectar dónde hay fugas de gas. Si no se encuentra ninguna fuga y los efectos de la fuga de gas todavía pueden ser observados, devuelva la barbacoa a un centro de servicio autorizado.

Protección contra quemaduras

La barbacoa se calienta a altas temperaturas durante su uso. Las tapas de la barbacoa, de la parrilla y de los quemadores se calientan más. Sin embargo, incluso las partes restantes de la barbacoa pueden calentarse a temperaturas que pueden causar quemaduras graves si se tocan con la mano desnuda. Lleve guantes protectores cuando use la barbacoa para protegerse contra quemaduras. Mientras trabaja, nunca agarre ninguna parte de la barbacoa con la mano desnuda.

MANTENIMIENTO, ALMACENAMIENTO Y TRANSPORTE

Después de usar la barbacoa, cierre las válvulas de todos los quemadores, luego cierre la válvula de la botella y desconéctela de la unidad. Deje que la barbacoa se enfríe completamente. La parrilla, la bandeja y las protecciones de los quemadores deben limpiarse después de cada uso con productos de limpieza para barbacoas u hornos. No se recomienda el uso de objetos metálicos afilados para limpiar los residuos de alimentos secos.

Limpie otras partes de la barbacoa con un paño o una esponja y con detergentes comerciales para limpiar superficies metálicas.

Antes de cada uso, compruebe el estado de la instalación de gas, especialmente los quemadores, si se observa óxido o daños, sustituya las piezas defectuosas por otras nuevas. Para ello, diríjase a un taller autorizado del fabricante.

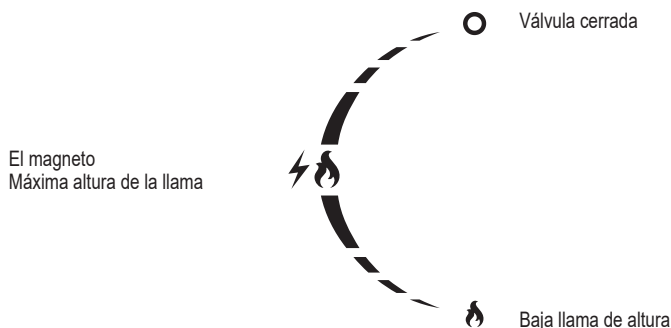
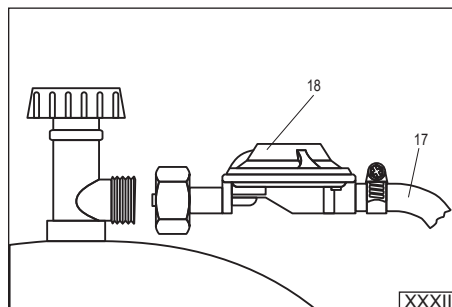
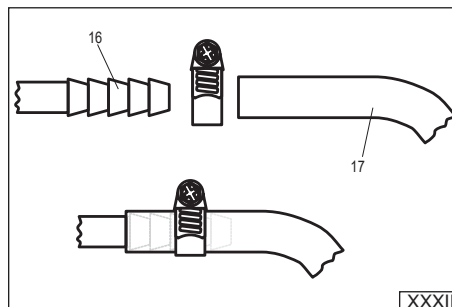
Compruebe el estado de la manguera antes de cada uso. Si nota algún daño o desgaste en la manguera, reemplácela por una nueva. Se recomienda cambiar la manguera periódicamente al menos cada 10 años, incluso si no presenta signos de desgaste.

Antes de guardar la barbacoa, asegúrese de que todos los reguladores de gas estén en posición: «cerrado». Cierre la válvula de la botella de gas y desconéctela de la unidad. Está prohibido almacenar la barbacoa con la botella de gas conectada. La barbacoa y la botella deben almacenarse en lugares secos y oscuros, protegidos contra el acceso no autorizado. Guarde la barbacoa en un lugar libre de polvo. Cierre todas las tapas de los quemadores durante el almacenamiento. Durante el almacenamiento prolongado, por ejemplo durante el invierno, es aconsejable cubrir la barbacoa para protegerla del polvo y la suciedad. Asegúrese de que haya una buena ventilación en el área de almacenamiento para evitar que se acumule humedad en los componentes, lo que puede provocar corrosión. La corrosión puede modificar los parámetros de los componentes de la instalación de gas, lo que puede provocar un flujo incontrolado de gas resultando en incendios o explosiones. No cubra las rejillas de ventilación de la cámara de almacenamiento de la botella. La acumulación de gas puede provocar un incendio o una explosión.

Transporte la barbacoa a distancias cortas (varios metros) utilizando las ruedas fijadas a la misma. Si necesita transportar la barbacoa a grandes distancias utilizando medios de transporte separados, desmonte la unidad, téngala en su embalaje original y vuelva a montarla. Está prohibido transportar la barbacoa a cualquier distancia con una botella de gas conectada a ella. Antes del transporte, cierre la válvula de botella de gas y luego desconéctela de la unidad.

17. manguera de gas (no incluido - se vende por separado)

18. reductor de gas (no incluido - se vende por separado)



CONSIGNES DE SÉCURITÉ

N'utiliser que dans une zone inoccupée. En raison de la possibilité d'accumulation de gaz qui peut entraîner un incendie ou une explosion, il est permis d'utiliser le barbecue uniquement dans une zone inoccupée. Il est interdit d'utiliser le barbecue dans les garages, les halls ou autres pièces. Ne pas exposer pas le barbecue à des précipitations.

Lire le manuel d'utilisation avant d'utiliser l'appareil. Le respect des instructions fournies peut protéger l'utilisateur contre les blessures, l'incendie ou l'explosion. Conserver ce manuel d'utilisation pour la période d'utilisation du barbecue. En cas de transfert du produit à d'autres personnes, le transmettre avec le manuel d'utilisation.

AVERTISSEMENT : les pièces disponibles de l'appareil peuvent être très chaudes. Tenir les enfants à l'écart de l'appareil. Lors de l'utilisation de l'appareil, garder à l'esprit que les pièces de l'outil chauffent à des températures élevées lorsqu'elles sont exposées à des flammes. Porter des gants de protection contre la chaleur et ne pas utiliser que les poignées fournies.

Ne pas déplacer l'appareil pendant qu'il fonctionne. Le déplacement de l'appareil pendant son fonctionnement peut entraîner son basculement, ce qui peut entraîner de graves brûlures et un incendie. Pendant la manutention, le tuyau flexible reliant la bouteille de gaz au gril peut être interrompu, ce qui peut entraîner un débit de gaz incontrôlé et un incendie ou une explosion.

Après utilisation, tourner le robinet de la bouteille de gaz. La fermeture des robinets du barbecue ne coupe pas l'alimentation en gaz au barbecue. Laisser le système sous pression peut causer un débit de gaz incontrôlé, ce qui peut entraîner un incendie et une explosion.

Ne pas modifier la conception de l'appareil. Le fabricant ne peut garantir la sécurité que si le barbecue est installé conformément à ses instructions. Des modifications incorrectes peuvent entraîner un dégagement incontrôlé de gaz, ce qui peut entraîner un incendie et une explosion.

UTILISATION DU BARBECUE

AVERTISSEMENT ! Tenir l'appareil à l'écart des matériaux inflammables lors de son utilisation.

AVERTISSEMENT ! Porter des gants de protection lors de l'utilisation du barbecue.

AVERTISSEMENT ! Lors du raccordement de la bouteille de gaz et de l'utilisation du barbecue, il est interdit de fumer ou de s'approcher du feu.

Usage prévu du barbecue

Le barbecue est conçu pour la cuisson à l'extérieur. Le produit est destiné à un usage personnel seulement et ne peut pas être utilisé dans des applications commerciales.

Il est interdit d'utiliser tout autre carburant que celui spécifié dans le manuel d'utilisation. Ne pas l'utiliser pour chauffer des pièces ou des produits autres que des aliments. La grille principale sert à préparer les plats en les plaçant directement sur elle. Il est interdit d'y mettre des plats tels que des casseroles ou des poêles. Le brûleur latéral est utilisé pour réchauffer les plats dans les plats, sur la grille du brûleur latéral il est interdit de préparer directement les plats.

Données techniques

Nom du produit : Barbecue à gaz

Numéro de référence du produit : YG-20018

Puissance d'entrée thermique : 11,2 kW (814 g/h) (3 x 3,0 kW + 2,2 kW)

Type et pression du gaz d'alimentation : butane G30 et propane G31 à 37 mbar

Catégorie de l'appareil à gaz selon EN 498 : I_{3B/P(37)}

Méthode d'approvisionnement en gaz : bouteilles de gaz de 11 kg ; dimensions maximales des bouteilles de 310 mm de diamètre et de 600 mm de hauteur, mesurées avec le robinet installé.

Nombre de brûleurs : 3 brûleurs principaux + 1 brûleur auxiliaire

Diamètre de la buse : 3 x 0,82 mm + 1 x 0,66 mm

Dimensions de la grille principale longueur x largeur : 600 x 420 mm

Dimensions extérieures du barbecue avec le couvercle fermé longueur x largeur x hauteur : 1220 x 570 x 1120 mm

Fabricant et service autorisé : TOYA S.A. ul. Sołtysowicka 13-15, 51-168 Wrocław, Pologne

Remarques pour le montage du barbecue

Il est interdit de modifier soi-même la structure du barbecue. Ne pas démonter les composants assemblés en usine ou scellés en usine, en particulier le système au gaz.

Dans le cas du brûleur latéral, il peut être nécessaire de régler l'allumoir avant de pouvoir utiliser le barbecue pour la première fois. L'étincelle doit sauter de l'allumoir au brûleur à la place des trous du brûleur. Sinon, l'allumoir risque de ne pas enflammer le gaz correctement ou de ne pas l'enflammer du tout. Si nécessaire, plier la goupille d'allumoir avec un peu de force. Tout réglage de l'allumoir doit être effectué avec la bouteille de gaz déconnectée.

Préparation du barbecue pour l'utilisation

S'assurer que le barbecue est assemblé conformément au manuel d'utilisation. Le barbecue et les bouteilles doivent être placés sur une surface plane et incombustible. Si les roues du barbecue sont équipées d'un dispositif de verrouillage, celui-ci doit être utilisé pour verrouiller le barbecue. S'assurer qu'il n'y a pas d'objets inflammables ou d'autres sources de feu ou de chaleur à proximité, y compris sur le barbecue. Conserver au moins 1 mètre d'espace libre autour du barbecue et il ne doit y avoir aucun obstacle au-dessus de celui-ci.

Attention ! Vérifier que tous les boutons du brûleur du barbecue sont en position fermée.

Le barbecue doit être raccordé à la bouteille de gaz au moyen d'un tuyau flexible et d'un régulateur de pression de gaz. Le réducteur et le tuyau doivent être achetés séparément. Le régulateur des ensembles susmentionnés a été adapté pour réduire la pression du gaz en fonction des exigences en Pologne. Le réducteur doit être conforme à la norme européenne EN 16129. Si le réducteur est raccordé à un tuyau en usine, ce raccordement ne doit pas être modifié.

Placer la bande de serrage métallique sur l'extrémité libre du tuyau et faire glisser l'extrémité du tuyau sur le raccord du barbecue (XXXII). Sécuriser le raccordement en serrant la bande de serrage. Ne pas serrer trop fort la bande de serrage, mais seulement dans la mesure où elle assure l'étanchéité du raccordement. Un serrage trop fort de la bande de serrage peut endommager le tuyau. Le réducteur de gaz est équipé d'un raccord fileté qui doit être vissé au robinet de la bouteille de gaz à l'aide d'une clé (XXXIII). Positionner la bouteille de manière à ce que le tuyau flexible ne soit pas plié, tordu ou trop tendu. Vérifier l'état du tuyau avant de le raccorder pour voir s'il est endommagé ou usé. En cas de dommages ou de l'usure sur le tuyau, le remplacer par un nouveau tuyau et faire réparer le barbecue par un centre de service agréé. Il est interdit de changer le tuyau par soi-même ou de le remplacer par un tuyau non conçu pour le transport de gaz. La longueur du tuyau doit être de 80 cm et sa longueur ne doit pas dépasser 150 cm. Ne pas utiliser que des tuyaux flexibles conçus pour transporter du propane ou du butane. Une fois le raccordement effectué, il

faut vérifier l'étanchéité de l'installation de gaz.

Si la réglementation locale exige l'utilisation d'un tuyau et / ou d'un détendeur différent, les acheter séparément pour répondre aux exigences de votre zone d'utilisation.

Dans des conditions normales d'utilisation, il est recommandé de remplacer le réducteur correctement installé tous les 10 ans à partir de l'année de fabrication, comme on peut le voir sur le réducteur. Les réglementations locales peuvent exiger des intervalles de remplacement différents pour le réducteur. Si le réducteur est utilisé à l'extérieur, il doit être installé ou protégé contre l'infiltration d'eau. En cas d'utilisation du réducteur, s'assurer qu'il y a une bonne ventilation pour empêcher la condensation de la vapeur d'eau à l'intérieur de l'appareil. Le réducteur est conçu pour fonctionner à des températures ambiantes de -20 à +50 degrés Celsius. Si le réducteur est installé en aval d'un autre réducteur, la pression dans le système doit être ajustée de sorte qu'elle se situe dans la plage de pression d'entrée servie par le réducteur fixé au barbecue.

La bouteille de gaz peut être placée à l'intérieur de l'armoire du gril, mais uniquement dans la découpe du plancher prévue à cet effet. Il est interdit d'insérer la bouteille ailleurs dans l'armoire du gril. Le cylindre peut également être positionné à l'extérieur du gril. La bouteille doit être verticale. Avant de la visser, la feuille d'étanchéité (joint) doit être retirée du robinet de la bouteille pour vérifier l'état du joint et en cas d'endommagement ou d'usure, l'écrou du réducteur doit être vissé sur le robinet de la bouteille. Le raccordement doit être torqué avec la force nécessaire pour obtenir l'étanchéité. Une torsion excessive du raccordement peut endommager le joint et le raccordement n'atteindra pas l'étanchéité requise. Il est interdit de visser le réducteur sur le robinet avec un joint endommagé. Dans ce cas, contacter le fabricant de la bouteille pour obtenir les informations nécessaires au remplacement du joint.

Dévisser lentement le robinet de la bouteille jusqu'à ce qu'il soit complètement ouvert et vérifier l'étanchéité des raccords.

AVERTISSEMENT ! Si des fuites de gaz peuvent déjà être entendues et que l'odeur de gaz peut être clairement détectée pendant l'ouverture du robinet de la bouteille, fermer immédiatement le robinet de la bouteille. Vérifier que les robinets du brûleur sont fermés, puis vérifier l'étanchéité des raccords.

AVERTISSEMENT ! Il est interdit de vérifier l'étanchéité du raccordement par le feu. Cela peut entraîner des brûlures, un incendie et une explosion. Utiliser des testeurs électroniques ou chimiques disponibles dans le commerce. Avant de les utiliser, lire le mode d'emploi qui les accompagne.

Il est également possible de préparer un mélange d'eau et de savon dans des proportions d'environ ¼ savon par ¾ eau et d'en couvrir l'installation de gaz. Si des bulles de gaz sont remarquées, cela signifie que le système fuit. Si des fuites sont observées, fermer le robinet de la bouteille et éliminer les fuites, par exemple en resserrant les raccords. Répéter le test d'étanchéité de l'installation. Si les fuites ne peuvent être colmatées, fermer le robinet de la bouteille, débrancher la bouteille du barbecue et retourner le barbecue à un atelier de réparation agréé.

Si le contrôle d'étanchéité au gaz n'a pas détecté de fuites, le barbecue peut être mis en service.

Si le barbecue est mis en marche après la période de stockage, vérifier l'état des brûleurs. Retirer la grille et les protections du brûleur, vérifier l'état de tous les brûleurs, y compris les brûleurs latéraux, pour voir s'il y a de la saleté et de la rouille. Vérifier que les brûleurs et les buses ne sont pas obstrués par de la saleté, des résidus alimentaires ou des insectes. Avant d'utiliser le barbecue, nettoyer les brûleurs à l'aide d'un nettoyeur de barbecue ou d'un four. S'il s'avère que la buse à gaz est bouchée, il est interdit de la réparer soi-même. Dans ce cas, apporter le barbecue à un centre de service agréé. Il est interdit d'utiliser un barbecue avec un ou plusieurs brûleurs en panne.

Si de l'humidité est détectée, par exemple par condensation, sécher les surfaces accessibles avec un chiffon ou des essuie-tout, puis laisser le barbecue dans un endroit sec pour sécher l'humidité accumulée dans des endroits inaccessibles. Pour accélérer le processus de séchage, ouvrir le couvercle du barbecue et le brûleur latéral, retirer les couvercles du brûleur et la grille. La déshumidification par passage de gaz à travers le système est interdite. Il est interdit de démarrer un barbecue avec des brûleurs humides, cela peut conduire à une inflammation incontrôlée du gaz, ce qui peut provoquer des brûlures, un incendie ou une explosion.

Fonctionnement du brûleur principal

Attention ! Ouvrir complètement le couvercle du barbecue. Il est interdit d'allumer les brûleurs lorsque le couvercle est abaissé.

Le brûleur est doté d'un allumoir intégré qui permet d'allumer le mélange air / gaz. Le brûleur latéral s'allume en appuyant sur le bouton et en le maintenant dans cette position, puis en le tournant de 90 degrés. Le mélange gaz / air doit être allumé. Si ce n'est pas le cas, tourner le bouton de commande à la position « OFF », puis répéter le test d'allumage du brûleur. Le réglage de la taille de la flamme du brûleur latéral est le même que pour les autres brûleurs décrits ci-dessus. Si le brûleur ne peut pas être allumé même après plusieurs tentatives, cela peut signifier que la buse du brûleur a été bloquée. Dans ce cas, fermer le robinet du brûleur, fermer le robinet de la bouteille, déconnecter la bouteille du barbecue et la remettre à un atelier de réparation agréé.

Après une tentative réussie d'allumage du brûleur, relâcher la pression sur le bouton de l'allumeur et ajustez la taille de la flamme en tournant le bouton du brûleur. Laisser le bouton tourné de 90 degrés par rapport à la position initiale (robinet fermé) permet de régler la taille maximale de la flamme. En tournant le robinet dans le sens des aiguilles d'une montre aussi loin que possible, vous obtiendrez une petite flamme, et en la tournant dans le sens des aiguilles d'une montre aussi loin que possible, vous fermerez le robinet et éteindrez la flamme. Si vous laissez le bouton dans une position intermédiaire à la position décrite ci-dessus, vous pouvez sélectionner la hauteur de flamme souhaitée.

Les brûleurs doivent être allumés individuellement, les brûleurs suivants ne doivent être allumés que lorsque le précédent est allumé. Il est interdit d'allumer plusieurs brûleurs simultanément.

Le réglage de la hauteur de flamme des autres brûleurs doit être effectué selon la procédure décrite ci-dessus.

Fonctionnement du brûleur latéral

Attention ! Ouvrir complètement le couvercle du brûleur. Il est interdit d'allumer le brûleur et de chauffer la vaisselle pendant que le couvercle du brûleur est abaissé.

Le brûleur est doté d'un allumoir intégré qui permet d'allumer le mélange air / gaz. Le brûleur latéral s'allume en appuyant sur le bouton et en le maintenant dans cette position, puis en le tournant de 90 degrés. Le mélange gaz / air doit être allumé. Si ce n'est pas le cas, tourner le bouton de commande à la position « OFF », puis répéter le test d'allumage du brûleur. Le réglage de la taille de la flamme du brûleur latéral est le même que pour les autres brûleurs décrits ci-dessus.

Le brûleur latéral n'est utilisé qu'à des fins de chauffage et dure dans des cuves à fond plat de 16 à 22 cm de diamètre. Il est interdit d'y mettre des récipients dont le fond n'est pas plat, par exemple des woks.

Mesures d'urgence en cas de fuite de gaz

Par exemple, en cas de fuite de gaz ou même de soupçon de fuite de gaz, le robinet de la bouteille de gaz et les robinets de tous les brûleurs doivent être immédiatement fermés pour dégager une odeur de gaz. Débrancher ensuite la bouteille de gaz du barbecue. Si le barbecue est chaud, attendre qu'il refroidisse. Attendre que le gaz soit aéré, vérifier que le système de gaz n'est pas endommagé. Si ce n'est pas le cas, préparer un détecteur de gaz, raccorder la bouteille de gaz au barbecue et ouvrir le robinet de la bouteille pour commencer à détecter l'endroit où le gaz fuit. Si aucun site de fuite n'est trouvé et que les effets de la fuite de gaz peuvent encore être observés. Renvoyer le barbecue à un centre de service agréé.

Protection contre les brûlures

Le barbecue chauffe jusqu'à des températures élevées pendant l'utilisation. Le couvercle du barbecue, la grille et le couvercle du brûleur sont les plus chauffés. Cependant, même les autres parties du barbecue peuvent devenir chaudes à des températures qui peuvent causer de graves brûlures si on les touche avec une main non protégée. Porter des gants de protection qui protègent contre les brûlures. Lors de l'utilisation du barbecue. Lors de travail, ne saisir jamais une partie du barbecue avec le main non protégée.

ENTRETIEN, STOCKAGE ET TRANSPORT

Lorsque l'utilisation du barbecue est terminée, fermer les robinets de tous les brûleurs, puis fermer le robinet de la bouteille et la débrancher du barbecue. Laisser le barbecue refroidir complètement. Après chaque utilisation, la grille, le plateau et les protecteurs des brûleurs doivent être nettoyés à l'aide d'un nettoyeur de barbecue ou de four. Il n'est pas recommandé d'utiliser des objets métalliques tranchants pour nettoyer les résidus alimentaires séchés.

Nettoyer les autres parties du barbecue avec un chiffon ou une éponge et avec des détergents disponibles dans le commerce conçus pour nettoyer les surfaces métalliques.

Avant chaque utilisation, vérifier l'état de l'installation au gaz, en particulier les brûleurs, si de la rouille ou des dommages sont observés, remplacer les pièces défectueuses par des pièces neuves. Pour ce faire, contacter un atelier agréé du fabricant.

Vérifier l'état du tuyau avant chaque utilisation. En cas de dommages ou de l'usure du tuyau, le remplacer par un nouveau. Il est recommandé de changer le tuyau périodiquement au moins tous les 10 ans, même s'il ne présente aucun signe d'usure.

Avant de ranger le barbecue s'assurer que tous les régulateurs sont en réglé en position : « Fermeture ». Fermer le robinet de la bouteille de gaz et la débrancher du barbecue. Il est interdit de stocker le barbecue avec la bouteille de gaz raccordée. Le barbecue et la bouteille doivent être stockés dans des endroits secs et sombres, à l'abri de tout accès non autorisé. Ranger le barbecue dans un endroit exempt de poussière. Fermer tous les couvercles du brûleur pendant le stockage.

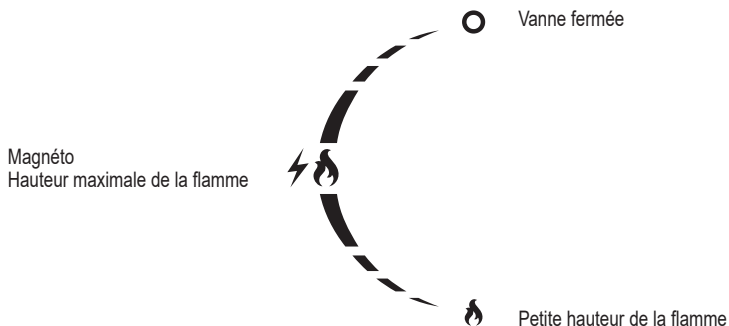
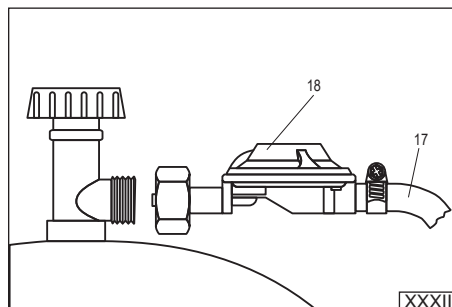
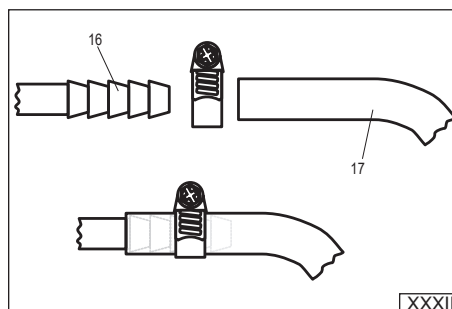
Lors d'un stockage prolongé, par exemple en hiver, il est conseillé de recouvrir le barbecue pour le protéger de la poussière et de la saleté. Veiller à ce qu'il y ait une bonne ventilation dans la zone de stockage afin d'empêcher l'humidité de s'accumuler sur les composants, ce qui peut conduire à la corrosion. La corrosion peut modifier les paramètres des composants de l'installation de gaz, ce qui peut entraîner un débit de gaz incontrôlé et provoquer un incendie ou une explosion.

Ne couvrez pas les ouvertures de ventilation du local de stockage des bouteilles. L'accumulation de gaz peut entraîner un incendie ou une explosion.

Transporter le barbecue sur de courtes distances (plusieurs mètres) à l'aide des roues qui y sont fixées. Si vous devez transporter le barbecue sur de longues distances en utilisant des moyens de transport séparés, démonter le barbecue, le transporter dans son emballage d'origine, puis le remonter. Il est interdit de transporter le barbecue à n'importe quelle distance avec une bouteille de gaz qui y est raccordée. Avant le transport, fermer le robinet de la bouteille et la débrancher du barbecue.

17. tuyau de gaz (non inclus - vendu séparément)

18. réducteur de gaz (non inclus - vendu séparément)



ISTRUZIONE DI SICUREZZA

Utilizzare solo all'aperto. A causa di possibile accumulo di gas, che può provocare incendi o esplosioni, è consentito l'utilizzo del barbecue solamente all'aperto. È vietato l'uso del barbecue in garage, capannoni o altri spazi chiusi. Non esporre il barbecue alle precipitazioni atmosferiche.

Prima di utilizzare il dispositivo leggere il manuale. L'osservanza delle istruzioni fornite può salvaguardare l'utente da lesioni, incendi o esplosioni. Conservare il presente manuale per tutta la durata di utilizzo del barbecue. Qualora si concedesse il barbecue ai terzi, bisognerà farlo assieme al presente manuale.

AVVERTENZE: Le parti del dispositivo potrebbero essere caldissime. Tenere i bambini lontani dal dispositivo. Durante l'utilizzo del dispositivo bisogna tenere conto del fatto che esso si riscalda ad elevate temperature per causa di contatto con le fiamme. Indossare guanti protettivi termici e utilizzare esclusivamente le apposite maniglie.

Non spostare il dispositivo mentre è in funzione. Lo spostamento del dispositivo mentre è in funzione può causare il suo ribaltamento e in conseguenza comportare ustioni o incendio. Durante lo spostamento il tubo flessibile che collega la bombola di gas con il barbecue può rimanere danneggiato, provocando un'incontrollata fuoriuscita di gas e in conseguenza incendi o esplosioni.

Terminato l'utilizzo bisogna chiudere la valvola sulla bombola di gas. La chiusura delle valvole sul barbecue non chiude la fornitura di gas al barbecue. Lasciare il sistema sotto pressione può causare un'incontrollata fuoriuscita di gas, che può provocare incendi ed esplosioni.

Non modificare nessuno degli elementi del dispositivo. Il produttore può garantire la sicurezza solo se il barbecue sia stato montato secondo le modalità prescritte nel manuale d'uso. Le modifiche scorrette possono causare un'incontrollata fuoriuscita di gas e in conseguenza incendio ed esplosione.

UTILIZZO BARBECUE

AVVERTENZE! Durante l'utilizzo tenere il dispositivo lontano da materiali infiammabili.

AVVERTENZE! Durante l'utilizzo del barbecue Indossare guanti protettivi.

AVVERTENZE! Durante il collegamento della bombola di gas e l'utilizzo del barbecue si vieta di fumare e di avvicinarsi al fuoco.

Destinazione del barbecue

Il barbecue è destinato per la preparazione delle pietanze all'aperto. Il prodotto è destinato esclusivamente all'utilizzo dalle persone private e non può essere utilizzato agli scopi commerciali.

È vietato uso di carburanti diversi da quelli specificati nel manuale d'uso. Non utilizzare per riscaldare ambienti o prodotti diversi da quelli alimentari. La griglia principale viene utilizzata per preparare i cibi posizionandoli direttamente su di essa. È vietato mettere su di essa qualsiasi tipo di recipiente, quale pentole o padelle. Per riscaldare le pietanze in recipienti serve il bruciatore laterale, è vietato preparare le pietanze direttamente sulla griglia del bruciatore laterale.

Dati tecnici

Nome prodotto: Barbecue a gas

Numero del prodotto nel catalogo: YG-20018

Potenza termica d'ingresso: 11,2 kW (814 g/h) (3 x 3,0 kW + 2,2 kW)

Tipologia e pressione di gas di alimentazione: butano G30 e propano G31 a 37 mbar

Categoria di dispositivo a gas secondo EN 498:

Metodo di alimentazione di gas: bombole da 11 kg; dimensioni massime della bombola 310 mm di diametro e 600 mm di altezza, misurate con la valvola installata.

Numero di bruciatori: 3 bruciatori principali + 1 bruciatore ausiliario

Diametro ugello: 3 x 0,82 mm + 1 x 0,66 mm

Dimensioni griglia principale lunghezza x larghezza: 600 x 420 mm

Dimensioni esterne del barbecue con il coperchio chiuso lunghezza x larghezza x altezza: 1220 x 570 x 1120 mm

Produttore e centro assistenza autorizzato: TOYA S.A. ul. Sołtyśowicka 13-15, 51-168 Wrocław, Polonia

Note per il montaggio del barbecue

È vietato modificare la struttura del barbecue. Non smontare i componenti assemblati o sigillati in fabbrica, in particolare impianto di gas.

Nel caso del bruciatore laterale, prima del primo utilizzo, può essere necessario regolare il magnete di accensione. La scintilla deve passare dal magnete di accensione ai fori del bruciatore. Se non fosse, può darsi che il magnete di accensione non funzioni correttamente oppure affatto. Se necessario, piegare leggermente la candela di accensione. Qualsiasi regolazione del magnete di accensione va fatta con la bombola di gas scollegata.

Preparazione del barbecue per utilizzo

Assicurarsi che il barbecue sia stato montato secondo il manuale d'uso. Il barbecue e le bombole di gas bisogna posizionare su una superficie non infiammabile. Se le rotelle del barbecue sono dotate di un sistema di bloccaggio, bisogna usarlo per impedire al barbecue di muoversi. Assicurarsi che nelle vicinanze del barbecue, anche sopra di esso, non vi siano oggetti infiammabili o altre fonti di calore. Tenere almeno 1 metro di spazio libero intorno al barbecue e sopra di esso non ci dovrebbe essere nessun tipo di ostacolo.

Attenzione! Controllare che tutte le manopole dei bruciatori del barbecue siano in posizione di chiusura.

Il barbecue deve essere collegato alla bombola di gas mediante un tubo flessibile e un regolatore di pressione di gas. Sia il regolatore, che il tubo flessibile devono essere acquistati separatamente. Il regolatore nei set di cui sopra è stato adattato per ridurre la pressione di gas in base alle esigenze delle normative vigenti in Polonia. Il regolatore deve essere conforme alla normativa europea EN 16129. Se il regolatore è collegato al tubo flessibile di fabbrica, questo collegamento non deve essere modificato.

Posizionare anello stringitubo metallico sull'estremità libera del tubo e metterlo sull'attacco del barbecue (XXXII). Fissare il collegamento stringendo anello stringitubo. Non stringere anello troppo forte, ma solo in modo tale che non ci siano fuoriuscite. Anello stretto troppo forte può danneggiare il tubo flessibile. Il regolatore di gas è dotato di un attacco filettato che deve essere avvitato, con una chiave (XXXIII), alla valvola della bombola di gas. Posizionare la bombola in modo tale che il tubo flessibile non sia piegato, attorcigliato o tirato troppo. Prima di collegarlo controllare che il tubo non sia danneggiato o usurato. Se si riscontrano danni o usura del tubo, sostituirlo contattando un centro di assistenza autorizzato. È vietato cambiare il tubo da soli o sostituirlo con un tubo non adatto alla trasmissione di gas. Il tubo dovrebbe avere una lunghezza di 80 cm e non dovrebbe superare 150 cm. Utilizzare solo tubi flessibili progettati per gas liquidi a base di propano o butano.

Dopo aver effettuato il collegamento, è necessario verificare l'assenza di perdite nell'impianto di gas.

Se le normative locali richiedono l'uso di un tubo flessibile e/o di un regolatore di pressione diversi, acquistarli separatamente per soddisfare le esigenze delle normative locali.

In condizioni d'uso normali, si consiglia di sostituire il regolatore correttamente installato ogni 10 anni a partire dall'anno di fabbricazione contrassegnato su di esso. Le normative locali possono richiedere altre tempistiche per ricambio regolatore. Se il regolatore viene utilizzato all'esterno bisogna posizionarlo in modo tale che sia protetto dal contatto con acqua. Durante l'utilizzo del regolatore bisogna assicurare una ventilazione appropriata per prevenire la condensa d'acqua all'interno del dispositivo. Il regolatore è progettato per funzionare a temperature d'ambiente comprese tra -20 e +50 gradi C. Se il regolatore è stato installato dietro un altro regolatore bisogna regolare la pressione nell'impianto in modo tale da rientrare nella portata di pressione di ingresso del regolatore fornito con il barbecue.

La bombola del gas può essere collocata all'interno dell'armadio del grill, ma solo nell'apposita fessura del pavimento. È vietato inserire la bombola in un altro punto del mobile della griglia. Il cilindro può essere posizionato anche all'esterno della griglia. La bombola deve essere posizionata in verticale. Prima di procedere al collegamento bisogna togliere il sigillo di sicurezza dalla valvola della bombola, verificare lo stato della guarnizione e, in caso di mancanza danni o usura, avvitare il dado del regolatore alla valvola della bombola. Il collegamento va stretto in modo tale da garantire assenza di fughe. Se il collegamento va stretto troppo forte può danneggiare la guarnizione e non garantirà la tenuta richiesta. È vietato collegare il regolatore alla valvola con guarnizione danneggiata. In tal caso contattare il produttore della bombola riguardo le informazioni necessarie per la sostituzione della guarnizione.

Svitare lentamente la valvola della bombola fino a quando non sia completamente aperta e verificare la tenuta dei collegamenti.

AVVERTENZE! Se durante l'apertura della valvola della bombola si odono le fuoriuscite di gas o l'odore di gas è percepibile bisogna immediatamente chiudere la valvola della bombola. Controllare che le valvole dei bruciatori siano chiuse, quindi verificare che i collegamenti non presentino perdite.

AVVERTENZE! È vietato verificare la tenuta del collegamento usando fiamma. Ciò può provocare ustioni, incendi ed esplosioni. Utilizzare tester elettronici o chimici disponibili in commercio. Prima del loro utilizzo leggere istruzioni d'uso fornite.

È anche possibile preparare una miscela di acqua e sapone in proporzione di circa ¼ di sapone per ¾ di acqua e trattare con essa impianto di gas. Se si verificano bolle di gas significa che impianto perde. Nel caso delle perdite bisogna chiudere la valvola della bombola ed eliminarle, ad esempio stringendo i raccordi. Ripetere il test di tenuta di impianto. Se non è possibile eliminare le perdite, chiudere la valvola della bombola, scollegarla dal barbecue e restituirla ad un centro di assistenza autorizzato.

Se il controllo di tenuta di impianto del gas non ha rilevato alcuna perdita, il barbecue può essere messo in funzione.

Se il barbecue viene utilizzato dopo un periodo di stoccaggio, bisogna controllare lo stato dei bruciatori. Rimuovere la griglia e le protezioni dei bruciatori, controllare lo stato di tutti i bruciatori, laterali inclusi, soprattutto per verificare la presenza di sporcizia e ruggine. Controllare che i bruciatori e gli ugelli non siano ostruiti da sporcizia, residui di cibo o insetti. Prima di utilizzare il barbecue pulire i bruciatori con detergenti per forni o barbecue. Se si verifica che ugello di gas è ostruito, è vietato ripararlo da soli. In tal caso portare il barbecue presso un centro di assistenza autorizzato. È vietato utilizzare il barbecue con uno o più bruciatori non funzionanti.

Se viene verificata umidità, ad esempio proveniente dalla condensa, asciugare le superfici accessibili con un panno o asciugamani di carta, quindi lasciare il barbecue in un luogo asciutto per asciugare l'umidità accumulata in aree inaccessibili. Per accelerare il processo di asciugatura bisogna aprire il coperchio del barbecue e del bruciatore laterale, rimuovere i coperchi dei bruciatori e la griglia. È vietato asciugare il barbecue facendo passare il gas per l'impianto. È vietato mettere in funzione il barbecue con bruciatori umidi, può provocare l'accensione incontrollata di gas e in conseguenza ustioni, incendi o esplosioni.

Modalità d'uso dei bruciatori principali

Attenzione! Aprire completamente il coperchio del barbecue. È vietato accendere i bruciatori quando il coperchio è chiuso.

Il bruciatore ha un magnete di accensione integrato che consente accensione della miscela di aria e gas. Il bruciatore laterale si accende tenendo premuta la manopola in questa posizione e ruotandola di 90 gradi. La miscela di gas e aria dovrebbe accendersi. Se non fosse, portare la manopola in posizione "OFF", quindi riprovare di accendere il bruciatore. La regolazione della fiamma del bruciatore laterale viene effettuata come descritto di sopra per altri bruciatori.

Se il bruciatore non si accende anche dopo diversi tentativi, può significare che ugello del bruciatore è stato ostruito. In questo caso chiudere la valvola del bruciatore, chiudere la valvola della bombola, scollegare la bombola dal barbecue e consegnare ad un centro di assistenza autorizzato.

Dopo aver acceso il bruciatore, rilasciare il pulsante del magnete di accensione e regolare la fiamma ruotando la manopola del bruciatore. Lasciando la manopola ruotata di 90 gradi rispetto alla posizione iniziale (valvola chiusa) si imposta la fiamma al massimo. Ruotando la manopola al massimo verso destra la fiamma viene impostata al minimo, invece ruotandola al massimo verso sinistra chiude la valvola e spegne la fiamma. Lasciare la manopola in posizione intermedia rispetto alle posizioni sopra descritte permette di impostare la fiamma desiderata.

I bruciatori devono essere accesi uno alla volta. È vietato accendere più bruciatori contemporaneamente.

La regolazione della fiamma degli altri bruciatori deve essere effettuata secondo la procedura sopra descritta.

Modalità del bruciatore laterale

Attenzione! Aprire completamente il coperchio del bruciatore. È vietato accendere il bruciatore e riscaldare i cibi con il coperchio del bruciatore abbassato.

Il bruciatore ha un magnete di accensione integrato che consente accensione della miscela di aria e gas. Il bruciatore laterale si accende tenendo premuta la manopola in questa posizione e ruotandola di 90 gradi. La miscela di gas e aria dovrebbe accendersi. Se non fosse, portare la manopola in posizione "OFF", quindi riprovare di accendere il bruciatore. La regolazione della fiamma del bruciatore laterale viene effettuata come descritto di sopra per altri bruciatori.

Il bruciatore laterale è utilizzato esclusivamente per riscaldare i cibi nei recipienti di fondo basso e di un diametro di 16 - 22 cm. È vietato usare recipienti con fondo diverso da quello piatto, ad esempio i wok.

Procedimento nel caso di fughe di gas

Nel caso di fughe di gas o anche solo di sospetto di fughe di gas, per esempio odore percepibile di gas, bisogna immediatamente chiudere la valvola della bombola di gas e le valvole di tutti i bruciatori. Scollegare quindi la bombola di gas dal barbecue. Se il barbecue è caldo, attendere che si raffreddi. Attendere che il gas non si senta più, controllare che l'impianto di gas non sia danneggiato. Se invece si verificano i danni, preparare un rilevatore di gas, collegare la bombola di gas al barbecue e aprire la valvola della bombola per iniziare a rilevare la presenza di fughe di gas. Se non si trova alcuna fuoriuscita e si possono ancora osservare gli effetti della fuoriuscita di gas, consegnare il barbecue ad un centro di assistenza autorizzato.

Protezione contro ustioni

Durante utilizzo il barbecue si riscalda alle temperature elevate. Il coperchio del barbecue, la griglia e i coperchi dei bruciatori si riscaldano di più. Tuttavia, anche le altre parti del barbecue possono riscaldarsi a temperature che causano gravi ustioni se toccate con la mano non protetta. Durante utilizzo del barbecue indossare guanti protettivi per prevenire le scottature. Durante utilizzo non afferrare mai nessuna delle parti del barbecue con la mano non protetta.

MANUTENZIONE, DEPOSITO E TRASPORTO

Dopo aver terminato utilizzo del barbecue chiudere le valvole di tutti i bruciatori, chiudere la valvola della bombola e scollegarla dal barbecue. Lasciare raffreddare completamente il barbecue. La griglia, il vassoio e le protezioni dei bruciatori devono essere puliti dopo ogni utilizzo con detergenti per forni o barbecue. Si sconsiglia l'uso di oggetti metallici abrasivi per la pulizia dei residui di cibo secco.

Le altre parti del barbecue vanno pulite con un panno o una spugna e con detergenti disponibili in commercio per pulizia delle superfici metalliche.

Prima di ogni utilizzo verificare lo stato dell'impianto di gas, in particolare dei bruciatori, se si osservano ruggine o danni, sostituire le parti difettose con pezzi di ricambio nuovi. A tal fine rivolgersi ad un centro di assistenza autorizzato dal produttore.

Prima di ogni utilizzo verificare le condizioni del tubo flessibile. Se si notano danni o usura del tubo, sostituirlo con uno nuovo. Si consiglia di sostituire periodicamente il tubo almeno ogni 10 anni, anche se non presenta segni di usura.

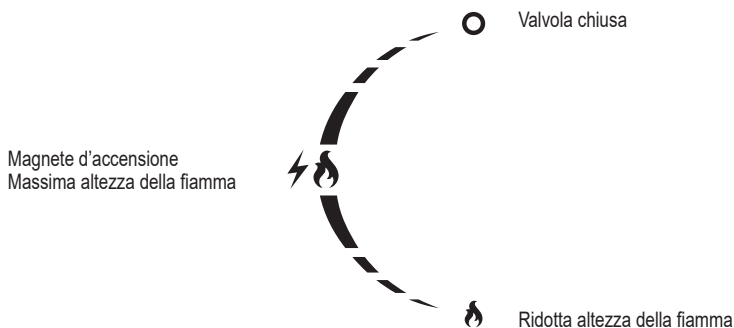
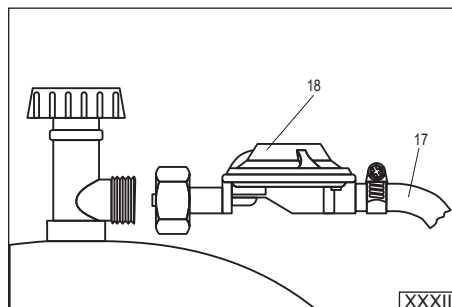
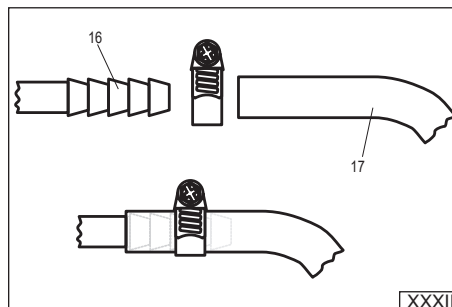
Prima di riporre il barbecue in deposito assicurarsi che tutti i regolatori di gas siano in posizione: "chiuso". Chiudere la valvola della bombola di gas e scollegarla dal barbecue. È vietato depositare il barbecue con la bombola di gas collegata. Il barbecue e la bombola vanno depositati in un luogo asciutto, lontano dalle fonti di luce e senza accesso dei non autorizzati. Depositare il barbecue in un luogo privo di polvere. Durante il deposito chiudere tutti i coperchi dei bruciatori. Nel caso di deposito prolungato, ad esempio durante l'inverno, si consiglia di coprire il barbecue per proteggerlo dalla polvere e dallo sporco. Assicurarsi che nell'area di deposito vi sia una buona ventilazione per evitare l'accumulo di umidità sui componenti del dispositivo, che può causare la corrosione. La corrosione può modificare i parametri dei componenti dell'impianto di gas, provocando le fuoriuscite incontrollate di gas e in conseguenza causare incendi o esplosioni.

Non coprire le aperture di ventilazione del vano dove viene depositata la bombola. L'accumulo di gas può provocare incendi o esplosioni.

Spostare il barbecue in brevi distanze (alcuni metri) utilizzando le sue rotelle. Se è necessario trasportare il barbecue in distanze più lunghe e con mezzi di trasporto, bisogna smontarlo, eseguire il trasporto nell'imballaggio originale e quindi rimontarlo. È vietato spostare il barbecue in qualsiasi distanza con bombola di gas collegata. Prima del trasporto chiudere la valvola della bombola e scollegarla dal barbecue.

17. tubo flessibile di gas (non incluso - venduto separatamente)

18. regolatore di gas (non incluso - venduto separatamente)



VEILIGHEIDSinSTRUCTIES

Gebruik alleen in open ruimte. Vanwege de mogelijkheid van gasaccumulatie, wat kan leiden tot een brand of explosie, is het toegestaan om de grill alleen in de open ruimte te gebruiken. Het is verboden om de grill te gebruiken in garages, hallen en andere ruimtes. Grill mag niet worden blootgesteld aan neerslag.

Lees de instructies voordat u de apparatuur gebruikt. Naleving van de instructies die erin zijn opgenomen, kan voorkomen dat de gebruiker gewond raakt, een brand of een explosie ontstaat. Bewaar deze handleiding gedurende de hele levensduur van de grill. Als u het product aan anderen doorgeeft, geef het dan met de instructie.

WAARSCHUWING: toegankelijke delen van de apparatuur kunnen erg heet zijn. Houd kinderen uit de buurt van de apparatuur. Houd er bij het gebruik van de grill rekening mee dat delen van het gereedschap door de vlammen worden opgewarmd tot hoge temperaturen. Gebruik hittebestendige handschoenen en houd alleen handvatten vast die hiervoor zijn ontworpen.

Verplaats de apparatuur niet terwijl het in gebruik is. Als u de grill tijdens het gebruik verplaatst, kan het vallen en ernstige brandwonden en brand veroorzaken. Tijdens verplaatsing kan de flexibele slang die de gasfles met de grill verbindt, breken, wat tot een ongecontroleerde gasstroom kan leiden en een brand of explosie kan veroorzaken.

Sluit na gebruik de klep op de gasfles. Het sluiten van de kleppen op de grill zal de gastoevoer naar de grill niet afsnijden. Het verlaten van het systeem onder druk kan een ongecontroleerde gasstroom veroorzaken, die een brand en explosie kan veroorzaken.

Het is niet toegestaan om het ontwerp van de apparatuur te wijzigen. De fabrikant kan de veiligheid alleen garanderen als de grill volgens zijn aanbevelingen is geïnstalleerd. Onjuiste wijzigingen kunnen leiden tot een ongecontroleerde gasuitstroming, wat een brand en explosie kan veroorzaken.

GEBRUIK VAN DE GRILL

WAARSCHUWING! Houd het apparaat tijdens gebruik uit de buurt van ontvlambare materialen.

WAARSCHUWING! Draag tijdens het gebruik van de grill handschoenen ter bescherming tegen brandwonden.

WAARSCHUWING! Bij het aansluiten van een gasfles en het gebruik van de grill is roken en naderen met het vuur verboden.

Het doel van de grill

De grill is bedoeld voor het bereiden van maaltijden in de open lucht. Het product is uitsluitend bedoeld voor privé-gebruik en mag niet in de handel of in commerciële toepassingen worden gebruikt. Het is verboden om een andere brandstof te gebruiken dan vermeld in de instructies. Het mag niet worden gebruikt voor ruimteverwarming en voor het verwarmen van andere producten dan gerechten. Het hoofdrooster wordt gebruikt om gerechten te bereiden door ze er direct op te plaatsen. Het is verboden om schalen op te zetten, zoals potten of pannen. Een zijbrander wordt gebruikt om de gerechten in de vaat te verwarmen. De bereiding van gerechten op het zijbranderrooster is niet toegestaan.

Technische specificaties

Productnaam: Gasgrill

Productnummer: YG-20018

Ingang thermisch vermogen: 11,2 kW (814 g/h) (3 x 3,0 kW + 2,2 kW)

Type en druk van het toevoergas: G30 butaan en propaan G31 bij 37 mbar

Categorie gasteostellen volgens EN 498: 13B / P (37)

Gastoevoermethode: gasflessen met een gewicht van 11 kg; de maximale cilindermaat is 310 mm in diameter en 600 mm hoog, gemeten met de geïnstalleerde klep.

Aantal branders: 3 hoofdbranders + 1 extra brander

Diameter spuitmond: 3 x 0,82 mm + 1 x 0,66 mm

Afmetingen van het hoofdrooster, lengte x breedte: 600 x 420 mm

Buitenafmetingen van de grill met de deksel gesloten lengte x breedte x hoogte: 1220 x 570 x 1120 mm

Fabrikant en erkende service: TOYA S.A. ul. Sołtysowicka 13-15, 51-168 Wrocław, Polen

Opmerkingen over de installatie van de grill

Het is verboden om de grillstructuur zelf te veranderen. Demonteer niet in de fabriek gemonteerde componenten en in de fabriek verzegelde onderdelen, vooral gasinstallaties.

In het geval van een zijbrander, moet u mogelijk de vonkmagneet aanpassen voordat u de grill voor de eerste keer gebruikt. De vonk moet van de vonknagneet springen in plaats van de branderoeningen. Anders kan de vonk ontstekende het gas onterecht ontsteken of helemaal niet ontsteken. Buig indien nodig de vonkvangervang met kleine kracht. Elke aanpassing van de magneet moet worden uitgevoerd met de gasfles losgekoppeld.

De grill klaar maken voor gebruik

Zorg ervoor dat de grill in overeenstemming met de instructies is gemonteerd. Grill en flessen moeten op een vlakke en niet-brandbare ondergrond worden geplaatst. Als de grillwielen zijn uitgerust met een blokkering, gebruik deze dan om de grill te immobiliseren. Zorg ervoor dat er geen ontvlambare objecten in de buurt zijn, zoals de grill en andere bronnen van vuur of hitte. Houd minimaal 1 meter vrije ruimte rond de grill en geen obstakels boven de grill.

Let op! Controleer of alle knoppen van de grillbranders in de gesloten stand staan.

De grill moet via een flexibele slang en gasreducer op een gasfles worden aangesloten. Zowel het verloopstuk als de slang moeten afzonderlijk worden gekocht. Het reductiegedeelte in de genoemde sets is aangepast om de gasdruk te verlagen volgens de vereisten in Polen. De regelaar moet voldoen aan de Europese norm EN 16129. Als de regelaar in de fabriek op de slang is aangesloten, mag de aansluiting niet worden gewijzigd.

Plaats een metalen klem op het losse uiteinde van de slang en steek vervolgens het uiteinde van de slang op de aansluitstomp van de grill (XXXII). Maak de verbinding vast door de band vast te klemmen. Draai de band niet te strak vast, maar alleen in de mate dat de verbinding krap is. Te strak aandraaien van de band kan de slang beschadigen. De gasregelaar is uitgerust met een schroefdraadaansluiting, die met een sleutel (XXXIII) op het gasflesventiel moet worden geschroefd. Plaats de gasfles op een zodanige plaats dat de flexibele slang niet gebogen, gedraaid of overbelast wordt. Controleer voor het aansluiten de staat van de slang op beschadiging of slijtage. Vervang de slang in geval van beschadiging of slijtage door een nieuwe. Voor dit doel dient de grill naar een erkend reparatiepunt te worden gestuurd. Het is verboden om de slang te vervangen of te vervangen door een slang die niet is bedoeld voor gasoverdracht. De slang moet 80 cm lang zijn, de lengte mag niet langer zijn dan 150 cm. Gebruik alleen flexibele slangen voor het transport van propaan of butaan vloeibaar gas. Controleer na het maken van de verbinding de dichtheid van de gasinstallatie.

Als plaatselijke voorschriften het gebruik van een andere slang en / of regelaar vereisen, moeten ze apart worden aangeschaft om te voldoen aan de vereisten van de plaats van gebruik.

Onder normale gebruiksomstandigheden wordt aanbevolen om het correct geïnstalleerde verloopstuk om de 10 jaar te vervangen door het jaar van fabricage dat zichtbaar is op het reductiegedeelte. Lokale voorschriften kunnen verschillende intervallen voor het wisselen van verloopstukken vereisen. Als het verloopstuk buitenshuis wordt gebruikt, moet het worden geplaatst of beschermd tegen het binnendringen van water. Bij gebruik van de regelaar moet er goede ventilatie zijn om condensatie in het apparaat te voorkomen. Het reductiemiddel is ontworpen voor gebruik bij omgevingstemperaturen van -20 tot 50 ° C. Als de regelaar achter een andere regelaar is geïnstalleerd dan moet de systeemdruk zo worden ingesteld, dat ze in de ingang drukbereik ligt ondersteund door de regelaar aan de grill.

De gasfles kan in de grillkast worden geplaatst, maar alleen in de daarvoor bestemde uitsparing in de vloer. Het is verboden de cilinder elders in de grillkast te plaatsen. De cilinder kan ook buiten het rooster worden geplaatst. De gasfles moet verticaal worden geplaatst. Voor het vastschroeven moet de folie (seal) van de klep worden verwijderd, de stat van de afdichting gecontroleerd en bij gebrek aan beschadigingen en slijtage, draai de moer van de regelaar op het flesventiel. De verbinding moet worden gedraaid met de kracht die nodig is om een lektheid te verkrijgen. Overmatig draaien van de verbinding kan de afdichting beschadigen en de verbinding zal niet de vereiste dichtheid bereiken. Het is verboden om de regelaar op de klep te schroeven met een beschadigde afdichting. In dit geval moet u bij de cilinderfabrikant de informatie verkrijgen die nodig is om de afdichting te vervangen.

Draai de cilinderafsluiter langzaam open totdat deze helemaal open is en controleer de aansluitingen op lekken.

WAARSCHUWING! Als tijdens het openen van de gasflesklep het geluid van gas dat ontsnapt en de geur van gas duidelijk waarneembaar is, sluit direct de cilinderklep. Controleer of de branderkleppen gesloten zijn en controleer vervolgens de aansluitingen op lekken.

WAARSCHUWING! Het is verboden om de dichtheid van de verbinding met vuur te controleren. Dit kan brandwonden, brand en ontploffing veroorzaken. Gebruik in de handel verkrijgbare elektronische of chemische testers. Lees voor het gebruik de instructies die eraan zijn gehecht.

Je kunt ook een mengsel van water en zeep maken in de verhouding van ongeveer ¼ zeep per ¾ water en ermee een gasinstallatie bedekken. Als gasbellen worden opgemerkt, betekent dit dat het systeem lekt. Als een lek wordt waargenomen, moet de gasflesklep worden gesloten en eventuele lekken worden verwijderd, bijvoorbeeld door de verbindingen aan te halen. Herhaal de dichtheidscontrole van de installatie. Als u het lek niet kunt verwijderen, sluit het flesventiel, koppelt de gasfles van de grill los, en vervolgens geef de grill aan een erkende reparatiepunt door.

Als er geen lekkage is gedetecteerd in de lektest van de gasinstallatie, kunt u beginnen met het gebruik van de grill.

Als de grill na opslag wordt gestart, controleer dan de staat van de branders. Verwijder het rooster en de branderdeksele, controleer de staat van alle branders, inclusief de zijbranders, op vuil en roest. Controleer of de branders en de sproeiers niet verstopt zijn door vuil, voedselresten of insecten. Voordat u de grill gebruikt, reinigt u de branders met schoonmaakmiddelen voor roosters of ovens. Als het gasmondstuk is geblokkeerd, is onafhankelijke reparatie verboden. In dit geval moet de grill naar een erkend servicecentrum worden gestuurd. Het is verboden om de grill te gebruiken met een defecte een of meerdere branders.

Als er vocht wordt gevonden, bijvoorbeeld door condensatie van stoom, droogt u de beschikbare oppervlakken af met stoffen of papieren handdoeken en laat u de grill op een droge plaats staan om het vocht dat op ontoegankelijke plaatsen is verzameld, te drogen. Om het drogen te versnellen, opent u het rooster en de afdekking van de zijbrander, verwijdert u de branderdeksele en het rooster. Het is verboden om te ontvochtigen door gas door de installatie te laten stromen. Het is verboden om de barbecue te laten draaien met gedempte branders, dit kan leiden tot ongecontroleerde gasontbranding, wat brandwonden, brand of ontploffing kan veroorzaken.

Bediening van de hoofdbranders

Let op! Open de grillafdekking volledig. Het is verboden om de branders aan te steken wanneer het deksel is neergelaten.

De brander heeft een ingebouwde magneet die de ontsteking van het lucht- en gasmengsel mogelijk maakt. Ontsteking van de zijbrander wordt uitgevoerd door de knop in deze positie ingedrukt te houden en vervolgens 90 graden te draaien. Ontsteking van het gas- en luchtmengsel moet optreden. Als dit niet gebeurt, draait u de knop naar de positie gemarkeerd met "OFF" en herhaalt u de poging om de brander aan te steken. De afstelling van de vlamgrootte van de zijbrander is hetzelfde als voor de andere hierboven beschreven branders. Zelfs als u de brander na verschillende pogingen niet kunt ontsteken, kan dit betekenen dat het toortsmondstuk is geblokkeerd. Sluit in dit geval de brander afsluiter, sluit de flesafsluiter, koppel de grillcilinder los en breng deze naar een erkend reparatiepunt.

Nadat u met succes geprobeerd hebt de fakkel te ontsteken, laat u de druk op de ontstekingsknop los en draait u aan de branderknop om de vlamgrootte aan te passen. Laat de knop 90 graden gedraaid ten opzichte van de uitgangspositie (klep gesloten) en stel de maximale vlamgrootte in. Als je helemaal naar rechts draait, zet je een kleine vlam en draai je hem naar links om de klep te sluiten en de vlam uit te schakelen. Als u de knop in een tussenpositie laat staan ten opzichte van de hierboven beschreven, kunt u de gewenste vlamhoogte kiezen.

De branders moeten één voor één worden aangestoken en de volgende kunnen worden aangestoken als de vorige brandt. Het is verboden om meerdere branders tegelijk aan te steken.

De vlamhoogte-instelling van andere branders moet worden uitgevoerd volgens de hierboven beschreven procedure.

Bediening van de zijbrander

Let op! Open de branderdeksele volledig. Het is verboden om de brander aan te steken en om gerechten te verwarmen wanneer het deksel is neergelaten.

De brander heeft een ingebouwde magneet die de ontsteking van het lucht- en gasmengsel mogelijk maakt. Ontsteking van de zijbrander wordt uitgevoerd door de knop in deze positie ingedrukt te houden en vervolgens 90 graden te draaien. Ontsteking van het gas- en luchtmengsel moet optreden. Als dit niet gebeurt, draait u de knop naar de positie gemarkeerd met "OFF" en herhaalt u de poging om de brander aan te steken. De afstelling van de vlamgrootte van de zijbrander is hetzelfde als voor de andere hierboven beschreven branders.

De zijbrander wordt alleen gebruikt voor verwarming van gerechten in vaten met een vlakke bodem met een diameter van 16 - 22 cm. Het is verboden om vaten met gerechten op te plaatsen met een andere bodem dan platte, bijvoorbeeld wokken.

Doorgaan met een gaslek

In het geval van een gaslek of zelfs een vermoed gaslek, bijvoorbeeld een duidelijke gasgeur, sluit u onmiddellijk de gasflesklep en de kleppen van alle branders. Koppel vervolgens de gasfles los van de grill. Als de grill heet is, wacht dan tot deze is afgekoeld. Wacht tot het gas is afgekoeld, controleer het gassysteem op schade. Als ze niet worden waargenomen, bereid dan een gasdetector voor, sluit de gasfles aan op de grill en open de klep van de cilinder om de plaats van gaslekkage te detecteren. Als het lek niet wordt gevonden, zijn de effecten van een gaslek nog steeds zichtbaar. De grill moet naar een erkend servicecentrum worden gestuurd.

Bescherming tegen verbranding

Tijdens gebruik warmt de grill op tot hoge temperaturen. De meest verwarmde is de roosterafdekking, rooster en branderdekzels. Zelfs de rest van de grill kan echter heet worden tot temperaturen die ernstige brandwonden veroorzaken als deze worden aangeraakt door een blote hand

ONDERHOUD, OPSLAG EN TRANSPORT

Nadat u de grill hebt gebruikt, sluit u de kleppen van alle branders en sluit u vervolgens de cilinderklep en koppelt u deze los van de grill. Wacht tot alle grillelementen volledig zijn afgekoeld. Het rooster, de schaal en de branderdekzels moeten na elk gebruik worden gereinigd met middelen voor het reinigen van roosters of ovens. Het wordt niet aanbevolen om scherpe metalen voorwerpen te gebruiken om gedroogde voedselresten te verwijderen.

De overige grillelementen moeten worden gereinigd met een doek of spons en detergentia die in de handel zijn verkrijgbaar en bedoeld voor het reinigen van metalen oppervlakken.

Controleer voor elk gebruik de staat van het gassysteem, met name de branders, op roest of beschadiging, vervang de defecte onderdelen door nieuwe. Neem voor dit doel contact op met de geautoriseerde service van de fabrikant.

Controleer de toestand van de slang vóór elk gebruik. Als u merkt dat de slang beschadigd of versleten is, vervangt u deze door een nieuwe. Het wordt aanbevolen om de slang regelmatig te vervangen om de 10 jaar, zelfs als deze geen tekenen van slijtage vertoont.

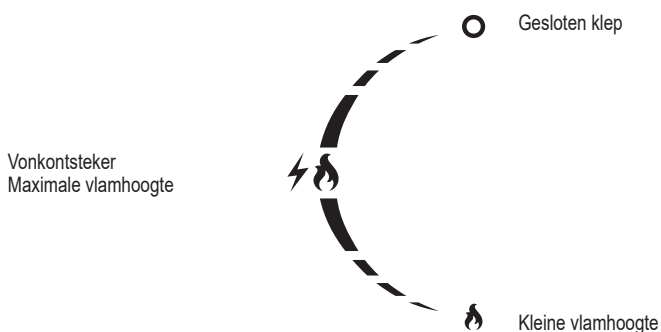
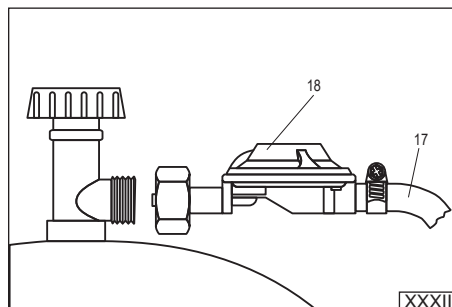
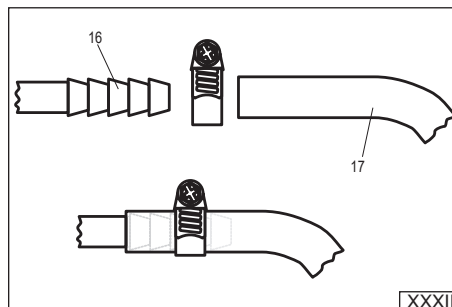
Controleer voordat u de grill opbergt of alle gasregelaars in de "gesloten" stand staan. Sluit het ventiel op de gasfles en koppel het los van de grill. Het is verboden om de grill op te slaan met een aangesloten gasfles. Grill en cilinder moeten worden opgeslagen in droge en donkere kamers, beschermd tegen ongeoorloofde toegang. Bewaar de grill op stofvrije plaatsen. Sluit tijdens de opslag alle afdekplaten van de brander. Tijdens langdurige opslag, bijvoorbeeld in de winter, is het raadzaam om de grill te bedekken om deze tegen stof en vuil te beschermen. Zorg voor goede ventilatie in de opslagruimte, voorkom dat zich vocht op de onderdelen van het apparaat ophoopt, wat kan leiden tot corrosie. Corrosie kan de parameters van gassysteemcomponenten veranderen, wat kan leiden tot ongecontroleerde gasuitstroming en kan resulteren in een brand of explosie.

Bedek de ventilatieopeningen van de cilinderopslagruimte niet. De ophoping van gas kan leiden tot een brand of explosie.

Transporteer de grill op korte afstanden (enkele meters) met behulp van de daaraan bevestigde wielen. Als de barbecue over grote afstanden moet worden vervoerd met behulp van afzonderlijke transportmiddelen, moet de grill worden gedemonteerd, in de fabrieksverpakking worden vervoerd en vervolgens opnieuw worden gemonteerd. Het is verboden om de grill op enige afstand te vervoeren met een daaraan verbonden gasfles. Sluit voor het transport de flesafsluiter en ontkoppel hem van de grill.

17. gas slang (niet inbegrepen - wordt apart verkocht)

18. gasregelaar (niet inbegrepen - wordt apart verkocht)



Πρέπει να ανάψετε τα μάτια ένα μετά ένα και τα ανάψετε τα επόμενα μόνο όταν το προηγούμενο είναι αναμμένο. Απαγορεύεται να ανάψετε πολλά μάτια ταυτόχρονα. Πρέπει να ρυθμίσετε υπόλοιπα μάτια σύμφωνα με την παραπάνω διαδικασία.

Χειρισμός του πλευρικού ματιού

Προσοχή! Ανοίξτε πλήρως το κάλυμμα του ματιού. Απαγορεύεται να ανάψετε το μάτι και να ζεσάνετε φαγητό με κλειστό κάλυμμα του ματιού.

Το μάτι έχει ενσωματωμένη διάταξη ανάφλεξης που επιτρέπει να ανάψετε το μείγμα του αέρα και του αερίου. Ανάβετε το πλευρικό μάτι πατώντας και κρατώντας τη διακόπτη σε αυτή τη θέση και στη συνέχεια περιστρέφοντας το κατά 90 βαθμούς. Τότε η μείγμα του αερίου και του αέρα πρέπει να ανάψει. Αν αυτό δεν γίνεται πρέπει να περιστρέψετε το διακόπτη στη θέση «OFF» και στη συνέχεια να επαναλάβετε τη δοκιμή να ανάψετε το μάτι. Ρυθμίζετε το μέγεθος της φλόγας του πλευρικού ματιού με τον ίδιο τρόπο όπως σε υπόλοιπα μάτια που περιγράφονται παραπάνω.

Το πλευρικό μάτι χρειάζεται μόνο για ζεστά φαγητά σε σκευές με επίπεδο πάτο διαμέτρου 16 – 22 cm. Απαγορεύεται να βάζετε τις σκευές με άλλο σχημα του πάτου π.χ. γουόκ.

Διαδικασία σε περίπτωση διαρροής αερίου.

Σε περίπτωση διαρροής αερίου ή ακόμη όταν μόνο υποψιάζεστε τη διαρροή αερίου π.χ. όταν νιώσετε δυνατά την οσμή του αερίου, αμέσως πρέπει να κλείσετε τη βαλβίδα της φιάλης αερίου και τις βαλβίδες όλων των ματιών. Στη συνέχεια αποσυνδέστε τη φιάλη αερίου από το γκριλ. Αν το γκριλ είναι ζεστό περιμένετε μέχρι να ψύξει. Περιμένετε να φύγει το αέριο, ελέγξτε την εγκατάσταση αερίου για πιθανές βλάβες. Αν μην τις παρατηρήσετε πρέπει να ετοιμάσετε τη διάταξη ανίχνευσης αερίου, να συνδέσετε τη φιάλη αερίου στο γκριλ και ανοίγοντας τη βαλβίδα της φιάλης ανοίξτε την ανίχνευση της διαρροής αερίου. Αν βρείτε τον τόπο διαρροής και ακόμη παρατηρείτε τα συμπτώματα διαρροής αερίου: πρέπει να παραδώσετε το γκριλ στο εξουσιοδοτημένο σέρβις.

Προστασία από έγκαυμα

Το γκριλ όταν λειτουργεί, ζεσταίνεται σε υψηλές θερμοκρασίες. Το πιο δυνατά ζεσταίνεται το κάλυμμα του γκριλ, η σχάρα και τα καλύμματα των ματιών. Ενώ ακόμη τα υπόλοιπα εξαρτήματα μπορούν να ζεσταθούν στις θερμοκρασίες που προκαλούν σοβαρά εγκαύματα σε περίπτωση που τα αγγίξετε με γυμνά χέρια. Όταν χρησιμοποιείτε το γκριλ πρέπει να φοράτε τα γάντια που προστατεύουν από έγκαυμα. Όταν το γκριλ λειτουργεί μην αγγίζετε τα εξαρτήματά του με γυμνά χέρια.

ΣΥΝΤΗΡΗΣΗ, ΦΥΛΑΞΗ ΚΑΙ ΜΕΤΑΦΟΡΑ

Αφού τελειώσετε να χρησιμοποιείτε το γκριλ πρέπει να κλείσετε όλες τις βαλβίδες όλων των ματιών και στη συνέχεια να κλείσετε τη βαλβίδα της φιάλης και να αποσυνδέσετε τη φιάλη από το γκριλ. Περιμένετε έως να ψύξουν απολύτως όλα τα εξαρτήματα του γκριλ. Πρέπει να καθαρίζετε τη σχάρα, τον δίσκο και τα προστατευτικά όλων των ματιών μετά από κάθε χρήση χρησιμοποιώντας τα καθαριστικά μέσα προορισμένα στον καθαρισμό γκριλ ή φούρνων. Δεν προτείνεται να χρησιμοποιείτε κοφτερά, μεταλλικά αντικείμενα για καθαρισμό ζηραμένων υπολοίπων φαγητού.

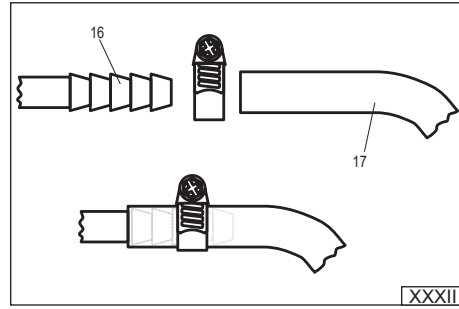
Καθαρίζετε τα υπόλοιπα εξαρτήματα του γκριλ με ένα ύφασμα ή ένα σφουγγάρι που είναι διαθέσιμα στην αγορά και προορίζονται για καθαρισμό μεταλλικών επιφανειών.

Πριν από κάθε χρήση πρέπει να ελέγχετε την κατάσταση της εγκατάστασης αερίου ειδικά των ματιών αν παρατηρήσετε διάβρωση ή βλάβες πρέπει να ανταλλάξετε τα χαλασμένα εξαρτήματα με νέα. Για αυτό το σκοπό πρέπει να επικοινωνήσετε με το εξουσιοδοτημένο σέρβις του κατασκευαστή. Πριν από κάθε χρήση πρέπει να ελέγχετε την κατάσταση του ελαστικού σωλήνα. Σε περίπτωση που παρατηρήσετε οποιαδήποτε βλάβες ή φθορές του σωλήνα πρέπει να το ανταλλάξετε με ένα νέο. Προτείνεται περιοδική ανταλλαγή του σωλήνα όχι σπανότερα από 10 χρόνια, ακόμη αν μην φέρει συμπτώματα φθοράς.

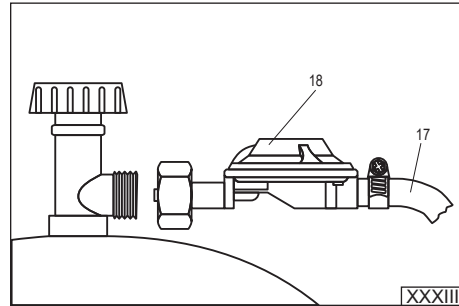
Πριν να αρχίσετε να φυλάσσετε το γκριλ πρέπει να επιβεβαιωθείτε ότι όλοι οι ρυθμιστήρες αερίου είναι στη θέση «κλειστή». Πρέπει να κλείσετε τη βαλβίδα που βρίσκεται στη φιάλη αερίου και στη συνέχεια να την αποσυνδέσετε από το γκριλ. Απαγορεύεται να φυλάξετε το γκριλ με τη συνδεδεμένη φιάλη αερίου. Το γκριλ φυλάσσονται στους στεγνούς και σκοτεινούς χώρους που προστατεύονται από πρόσβαση μην εξουσιοδοτημένων προσώπων. Το γκριλ φυλάσσεται στους χώρους απαλλαγμένους από σκόνη. Κατά φύλαξη πρέπει να κλείσετε όλα τα καλύμματα των ματιών. Όταν φυλάξετε το γκριλ περισσότερο καιρό, π.χ. κατά το χειμώνα, προτείνεται να καλύψετε το γκριλ για να το προστατέψετε από την επίδραση σκόνης. Στον χώρο φύλαξης πρέπει να διασφαλίσετε καλό εξαερισμό και έτσι προστατεύετε τη συσκευή από συγκέντρωση υγρασία πάνω στα εξαρτήματα της συσκευής που μπορεί να προκαλέσει τη διάβρωση. Η διάβρωση μπορεί να προκαλέσει αλλαγή των παραμέτρων των εξαρτημάτων της εγκατάστασης αερίου και έτσι μπορεί να προκαλέσει ανέλεγκτη διαρροή αερίου και να προκαλέσει πυρκαγιά και έκρηξη.

Μην καλύψετε τα ανοίγματα εξαερισμού του χώρου όπου φυλάσσεται το γκριλ. Συγκέντρωση του αερίου μπορεί να προκαλέσει πυρκαγιά ή έκρηξη. Μεταφέρετε το γκριλ σε μικρές αποστάσεις (πάνω από δέκα μέτρα) χρησιμοποιώντας τους τροχούς που συμπεριλαμβάνονται στο σετ του γκριλ. Όπου χρειάζεται η μεταφορά του γκριλ σε μεγαλύτερες αποστάσεις, μεταφέρετε το με ανεξάρτητα μεταφορικά μέσα και πριν από αυτό πρέπει να αποσυναρμολογήσετε το γκριλ και να το μεταφέρετε στη συσκευασία του εργοστασίου και στη συνέχεια να το συναρμολογήσετε ξανά. Απαγορεύεται η μεταφορά του γκριλ σε οποιαδήποτε απόσταση με συνδεδεμένη φιάλη αερίου. Πριν από τη μεταφορά πρέπει να κλείσετε τη βαλβίδα της φιάλης και στη συνέχεια να τη διακόψετε από το γκριλ.

- 17. σωλήνας αερίου (δεν συμπεριλαμβάνονται - πωλούνται ξεχωριστά)
- 18. μειωτήρας αερίου (δεν συμπεριλαμβάνονται - πωλούνται ξεχωριστά)



XXXII



XXXIII

Σπινθηρας
Το μέγιστο ύψος φλόγας



Χαμηλό ύψος φλόγας

да се загрява храна при затворен капак на горелката.

Горелката има вграден генератор на искра за запалване на сместа въздух/газ.

Страничната горелка се запалва, като натиснете и задържите копчето в това положение и след това го завъртите на 90 градуса. Трябва да се запали сместа от газ и въздух. Ако това не се случи, завъртете копчето в положение, обозначено като „OFF“, и повторете опита за запалване на горелката. Регулирането на размера на пламъка на страничната горелка се извършва по същия начин, както при другите горелки, описани по-горе.

Страничната горелка се използва само за загряване на храна в съдове с плоско дъно с диаметър 16-22 cm. Забранено е да се поставят върху нея съдове с различно от плоско дъно, като например тиган уок.

Начин на действие при изтичане на газ

В случай на изтичане на газ или дори на съмнение за изтичане на газ, например ако усетите ясна миризма на газ, незабавно затворете вентила на газовата бутилка и вентилите на всички горелки. След това разединете газовата бутилка от барбекюто. Ако барбекюто е горещо, изчакайте да изстине. Изчакайте газът да изветрее и проверете газовата инсталация за повреда. Ако няма такива, подгответе газов детектор, свържете газовата бутилка към уреда и като отворите вентила на бутилката, започнете откриването на мястото на изтичане на газ. Ако мястото на изтичане не е намерено и последиците от изтичането на газ все още са видими. Отнесете барбекюто в оторизиран сервис.

Защита от изгаряне

По време на работа барбекюто се нагрява до високи температури. Капакът на барбекюто, скарата и капациите на горелките се нагряват най-много. Въпреки това дори други части на барбекюто могат да се нагряват до температури, които могат да причинят сериозни изгаряния, ако се докоснат с незащитена ръка. Носете защитни ръкавици, за да се предпазите от изгаряния, когато използвате уреда. По време на работа на уреда никога не хващайте част на барбекюто с непокрита ръка.

ПОДДРЪЖКА, СЪХРАНЕНИЕ И ТРАНСПОРТ

Когато приключите с използването на барбекюто, затворете вентилите на всички горелки, след това затворете вентила на бутилката и я разединете от уреда. Оставете всички компоненти на барбекюто да се охладят напълно. Скарата, тавата и капациите на горелките трябва да се почистват след всяка употреба с почистващ препарат, предназначен за скари или фурни. Не е препоръчително да използвате остри метални предмети за почистване на засъхнали остатъци от храна.

Почистете останалите елементи на барбекюто с кърпа или гъба и налични в търговската мрежа препарати за почистване на метални повърхности.

Преди всяка употреба проверявайте състоянието на газовата инсталация, особено на горелките, и ако забележите ръжда или повреда, подменете дефектните компоненти с нови. За целта се обърнете към оторизиран сервизен център на производителя.

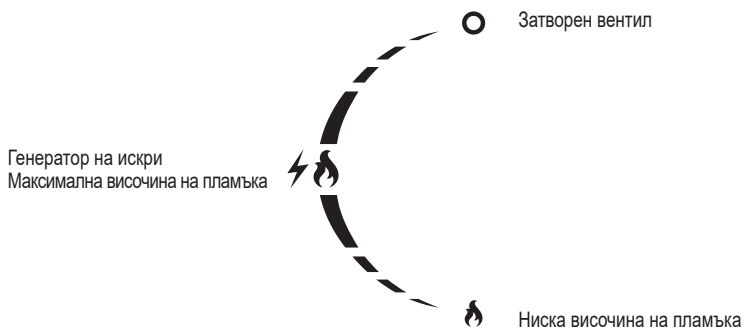
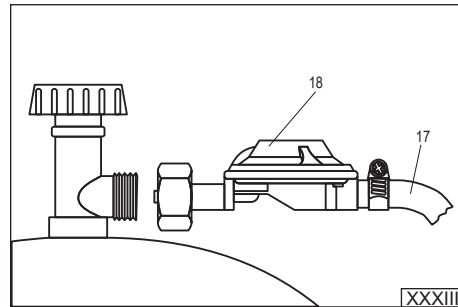
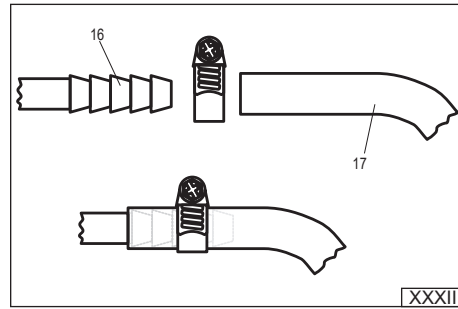
Проверявайте състоянието на гъвкавия маркуч преди всяка употреба. Ако забележите повреда или износване на маркуча, заменете го с нов. Препоръчва се маркучът да се сменя периодично поне на всеки 10 години, дори ако няма признаци на износване.

Преди да съхранявате барбекюто, се уверете, че всички газови регулатори са поставени в положение: „затворен“. Затворете вентила, разположен на газовата бутилка, и след това я разединете от барбекюто. Забранено е съхраняването на барбекю със свързана газова бутилка. Съхранявайте барбекюто и бутилката в сухо и тъмно помещение, защитено от неоторизиран достъп. Съхранявайте барбекюто на място без прах. Дръжте всички капаци на горелките затворени по време на съхранение. При продължително съхранение, например през зимата, е препоръчително да покриете барбекюто, за да го предпазите от прах и замърсяване. Мястото за съхранение трябва да бъде добре проветрено, за да се предотврати натрупването на влага върху компонентите на устройството, което може да доведе до корозия. Корозията може да промени параметрите на компонентите на газовата система, което може да доведе до неконтролируемо изтичане на газ и до пожар или експлозия.

Не покривайте вентилационните отвори на помещението за съхранение на газови бутилки. Натрупването на газ може да доведе до пожар или експлозия.

Пренасяйте барбекюто на къси разстояния (няколко метра) с помощта на доставените колела. Ако се налага да транспортирате уреда на дълги разстояния с отделни транспортни средства, барбекюто трябва да се разглоби, да се транспортира във фабричната си опаковка и след това да се сглоби отново. Забранено е транспортирането на барбекюто на каквито и да било разстояния със свързана към него газова бутилка. Преди транспортиране затворете вентила на газовата бутилка и я разединете от барбекюто.

17. маркуч за газ (не е приложен в комплекта - трябва да се закупи отделно)
18. газов редуктор (не е приложен в комплекта - трябва да се закупи отделно)



INSTRUÇÕES DE SEGURANÇA

Utilizar apenas no espaço livre. Devido à possibilidade de acumulação de gás, que pode levar a um incêndio ou explosão, só é permitido utilizar o grelhador numa área aberta. É proibida a utilização de grelhadores em garagens, pavilhões e outras instalações. O grelhador não deve ser exposto à precipitação.

Leia as instruções antes de utilizar o aparelho. O cumprimento das instruções contidas neste documento pode proteger o utilizador de ferimentos, incêndio ou explosão. Guarde as instruções durante todo o tempo em que o grelhador estiver a ser utilizado. Quando passar o produto a outras pessoas, entregue-o com o manual de instruções.

ATENÇÃO: as partes acessíveis do aparelho podem estar muito quentes. Mantenha as crianças afastadas do aparelho. Ao utilizar o aparelho, é importante ter em conta que, sob a influência das chamas, as partes do aparelho aquecem a altas temperaturas. Utilize luvas para se proteger do calor e agarre apenas os cabos concebidos para o efeito.

Não desloque o aparelho enquanto esta estiver a funcionar. A deslocação do aparelho durante o seu funcionamento pode provocar o seu capotamento, com risco de queimaduras graves e de incêndio. Durante o manuseamento, a mangueira flexível que liga a garrafa de gás ao grelhador pode partir-se, provocando uma libertação descontrolada de gás e causando um incêndio ou explosão.

Após a utilização, feche a válvula da garrafa de gás. O fecho das válvulas localizadas no grelhador não cortará o fornecimento de gás ao grelhador. Deixar o sistema sob pressão pode provocar fugas de gás não controladas, com risco de incêndio e explosão.

A estrutura do aparelho não deve ser alterada. O fabricante só pode garantir a segurança se o grelhador for instalado de acordo com as suas recomendações. Alterações incorretas podem dar origem a uma descarga de gás não controlada, com risco de incêndio e explosão.

UTILIZAÇÃO DO GRELHADOR

AVISO! Mantenha o aparelho afastado de materiais inflamáveis quando estiver a ser utilizado.

AVISO! Utilize luvas para evitar queimaduras quando utilizar o grelhador.

AVISO! É proibido fumar e aproximar-se do fogo durante a ligação das garrafas de gás e a utilização do grelhador.

Objetivo do grelhador

O grelhador foi concebido para cozinhar ao ar livre. O produto destina-se a ser utilizado exclusivamente por particulares e não deve ser utilizado em aplicações comerciais.

É proibida a utilização de qualquer outro combustível para além do indicado nas instruções. Não utilize para aquecimento ambiente ou para aquecer produtos que não sejam alimentos. A grelha principal é utilizada para preparar os alimentos, colocando-os diretamente sobre ela. É proibido colocar utensílios como panelas e frigideiras sobre ela. O queimador lateral é utilizado para aquecer alimentos em pratos; não é permitido cozinhar diretamente na grelha do queimador lateral.

Dados técnicos

Nome do produto: Churrasqueira a gás
 Número de catálogo do produto: YG-20018
 Potência térmica de entrada: 11,2 kW (814 g/h) (3 x 3,0 kW + 2,2 kW)
 Tipo e pressão do gás de alimentação: butano G30 e propano G31 a 37 mbar
 Categoria de aparelho a gás de acordo com a norma EN 498: I₃
 Método de abastecimento de gás: garrafas de gás de 11 kg; ^{39P(37)} a dimensão máxima da garrafa é de 310 mm de diâmetro e 600 mm de altura, medida com a válvula instalada.
 Número de queimadores: 3 queimadores principais + 1 queimador auxiliar
 Diâmetro do bocal: 3 x 0,82 mm + 1 x 0,66 mm
 Dimensões da grelha principal C x L: 600 x 420 mm
 Dimensões exteriores do grelhador com a tampa fechada C x L x A: 1220 x 570 x 1120 mm
 Fabricante e prestador de serviços autorizado: TOYA S.A. ul. Softysowicka 13-15, 51-168 Wrocław, Polónia

Notas sobre a instalação do grelhador

É proibido alterar a estrutura do grelhador. Não desmonte os componentes montados ou selados de fábrica, especialmente o sistema de gás.

No caso de um queimador lateral, pode ser necessário ajustar o magneto antes de utilizar o grelhador pela primeira vez. A fãisca tem de saltar do magneto para os orifícios do queimador. Caso contrário, o magneto pode provocar uma ignição incorreta ou nula do gás. Se necessário, dobre o pino do magneto aplicando uma pequena força. Qualquer regulação do magneto deve ser efetuada com a garrafa de gás desligada.

Preparar o grelhador para utilização

Certifique-se de que o grelhador foi montado de acordo com as instruções. O grelhador e as garrafas devem ser colocados numa superfície plana, nivelada e não inflamável. Se as rodas do grelhador estiverem equipadas com um bloqueio, utilize-o para imobilizar o grelhador. Certifique-se de que não existem objetos inflamáveis nas proximidades, incluindo por cima do grelhador, nem outras fontes de fogo ou calor. Deve haver pelo menos 1 metro de espaço livre à volta do grelhador e não deve haver obstáculos por cima do grelhador.

Atenção! Verifique se todos os botões dos queimadores do grelhador estão na posição fechada. O grelhador deve ser ligado à garrafa de gás através de uma mangueira flexível e de um redutor de gás. Tanto o redutor como a mangueira devem ser adquiridos separadamente. O redutor dos conjuntos acima referidos foi adaptado para reduzir a pressão do gás, conforme exigido na Polónia. O redutor deve estar em conformidade com a norma europeia EN 16129. Se o redutor estiver ligado ao tubo flexível na fábrica, esta ligação não deve ser modificada.

Coloque uma braçadeira metálica na extremidade solta da mangueira e, em seguida, introduza a extremidade da mangueira para o orifício de ligação do grelhador (XXXII). Fixe a ligação apertando a braçadeira. Não aperte demasiado a braçadeira, apenas até ao ponto em que a união fique estanque. Apertar demasiado a braçadeira pode danificar a mangueira. O redutor de gás está equipado com uma ligação roscada que deve ser aparafusada à válvula da garrafa de gás com uma chave (XXXIII). Posicione a garrafa de modo a que a mangueira flexível não fique dobrada, torcida ou sob tensão excessiva. Antes de efetuar a ligação, verifique o estado da mangueira quanto a danos ou desgaste. Se a mangueira estiver danificada ou gasta, deve ser substituída por uma nova; para isso, leve o grelhador a um centro de reparação autorizado. É proibido substituir uma mangueira por conta própria ou substituí-la por uma mangueira que não tenha sido concebida para o

transporte de gás. A mangueira deve ter 80 cm de comprimento, com um comprimento máximo de 150 cm. Utilize apenas mangueiras flexíveis concebidas para transportar gás propano líquido ou gás butano. Uma vez efetuada a ligação, a instalação de gás deve ser verificada quanto a fugas. Se os regulamentos locais exigirem a utilização de uma mangueira e/ou redutor diferentes, estes devem ser adquiridos separadamente para cumprir os requisitos do local.

Em condições normais de funcionamento, recomenda-se que um redutor corretamente instalado seja substituído de 10 em 10 anos a partir do ano de fabrico indicado no redutor. Os regulamentos locais podem exigir intervalos de substituição do redutor diferentes. Se o redutor for utilizado no exterior, deve ser colocado ou protegido contra a entrada de água. Durante a utilização, o redutor deve ser bem ventilado para evitar a condensação no interior do dispositivo. O redutor é adequado para temperaturas ambiente de -20 a +50 °C. Se o redutor tiver sido instalado a jusante de outro redutor, a pressão no sistema deve ser ajustada de modo a situar-se dentro da gama de pressão de entrada servida pelo redutor ligado ao aquecedor.

A garrafa de gás pode ser colocada no interior do armário do grelhador, mas apenas no recorte no chão destinado a esse fim. É proibido colocar a garrafa noutro local dentro do armário do grelhador. A garrafa também pode ser colocada no exterior do grelhador. A garrafa deve ser posicionada verticalmente. Antes de aparafusar, a película protetora (vedante) deve ser retirada da válvula da garrafa para verificar o estado da junta e, se não houver danos ou desgaste, a porca redutora deve ser enroscada na válvula da garrafa. A ligação deve ser aparafusada com a força necessária para obter o aperto. Uma torção excessiva da junta pode danificar a junta e a ligação não atingirá o aperto necessário. É proibido enroscar o redutor numa válvula com uma junta danificada. Neste caso, as informações necessárias para efetuar a substituição da junta devem ser obtidas junto do fabricante da garrafa.

Desaparafusar lentamente a válvula da garrafa até estar totalmente aberta e verificar se há fugas nas ligações.

AVISO! Se, ao abrir a válvula da garrafa, já se ouvir o som do gás a escapar e se o cheiro a gás for claramente perceptível, feche imediatamente a válvula da garrafa. Verifique se as válvulas do queimador estão fechadas e, em seguida, verifique se há fugas nas ligações.

AVISO! É proibido verificar a estanquidade da ligação por meio de fogo. Existe o risco de queimaduras, incêndio e explosão. Utilize dispositivos de teste eletrónicos ou químicos disponíveis no mercado. Antes de os utilizar, leia as instruções que os acompanham.

Em alternativa, pode preparar uma mistura de água e sabão numa proporção de cerca de ¼ de sabão para ¾ de água e cobrir a instalação de gás com essa mistura. Se forem detetadas bolhas de gás, isso indica a existência de uma fuga na instalação. Se forem observadas fugas, feche a válvula da garrafa e elimine as fugas, por exemplo, apertando as ligações. Repita a verificação de fugas da instalação. Se a fuga não puder ser resolvida, feche a válvula da garrafa, desligue a garrafa do grelhador e leve o aparelho a um centro de reparação autorizado.

Se a verificação de fugas na instalação de gás não revelar quaisquer fugas, o grelhador pode ser utilizado.

Se o grelhador for colocado em funcionamento após um período de armazenamento, verifique o estado dos queimadores. Retire a grelha e as tampas dos queimadores, verifique o estado de todos os queimadores, incluindo o queimador lateral, quanto a sujidade e ferrugem. Verifique se os queimadores e os bocais não estão obstruídos por sujidade, resíduos de alimentos ou insetos. Limpe os queimadores com um produto de limpeza para grelhadores ou fornos antes de utilizar o grelhador. Se o bocal de gás estiver entupido, é proibida a auto-reparação. Neste caso, leve o grelhador a um centro de assistência autorizado. É proibido utilizar o grelhador com um ou mais queimadores inoperacionais.

Se for detetada humidade, por exemplo devido a condensação, seque as superfícies acessíveis com um pano ou toalhas de papel e, em seguida, deixe o grelhador num local seco para secar qualquer humidade que se tenha acumulado em áreas inacessíveis. Para acelerar a secagem, abra o grelhador e a tampa do queimador lateral, retire as tampas dos queimadores e a grelha. É proibida a secagem passando gás pela instalação. É proibido colocar o grelhador em funcionamento com os queimadores húmidos, pois pode provocar uma ignição descontrolada do gás, com risco de queimaduras, incêndio ou explosão.

Funcionamento dos queimadores principais

Atenção! Abra completamente a tampa do grelhador. É proibido acender os queimadores com a tampa fechada.

Abra a válvula da garrafa de gás. O queimador tem um magneto incorporado para inflamar a mistura ar/gás. A ignição do queimador lateral é efetuada premindo e mantendo premido o botão nesta posição e rodando-o depois 90 graus. A mistura de gás e ar deve inflamar-se. Se tal não acontecer, rode o botão para a posição "OFF" e repita a tentativa de acender o queimador.

Se o queimador não acender mesmo após várias tentativas, pode significar que o bocal do queimador está obstruído. Se isto acontecer, feche a válvula do queimador, feche a válvula da garrafa, desligue a garrafa do grelhador e leve-o a um centro de reparação autorizado.

Depois de tentar acender o queimador com êxito, solte a pressão no botão do magneto e ajuste o tamanho da chama rodando o botão do queimador. Deixar o botão rodado 90 graus em relação à posição inicial (válvula fechada) definirá o tamanho máximo da chama. Se rodar o botão totalmente para a direita, cria uma pequena chama e se o rodar totalmente para a esquerda, fecha a válvula e apaga a chama. Deixar o botão numa posição intermédia em relação às descritas acima permite selecionar a altura da chama desejada.

Acenda os queimadores um de cada vez, acendendo o seguinte só depois de ter acendido o anterior. É proibido acender vários queimadores ao mesmo tempo. Ajuste a altura da chama dos outros queimadores de acordo com o procedimento descrito acima.

Funcionamento do queimador lateral

Atenção! Abra completamente a tampa do queimador. É proibido acender o queimador ou aquecer alimentos com a tampa do queimador fechada.

O queimador tem um magneto incorporado para inflamar a mistura ar/gás. A ignição do queimador lateral é efetuada premindo e mantendo premido o botão nesta posição e rodando-o depois 90 graus. A mistura de gás e ar deve inflamar-se. Se tal não acontecer, rode o botão para a posição "OFF" e repita a tentativa de acender o queimador. O ajuste do tamanho da chama do queimador lateral é efetuado da mesma forma que para os outros queimadores descritos acima.

O queimador lateral só é utilizado para aquecer alimentos em pratos de fundo plano com um diâmetro de 16 a 22 cm. É proibido colocar pratos com fundos que não sejam planos, como os woks.

Procedimento em caso de fugas de gás
 Em caso de fuga de gás ou mesmo de suspeita de fuga de gás, por exemplo, se sentir um cheiro forte a gás, feche imediatamente a válvula da garrafa de gás e as válvulas de todos os queima-

dores. Em seguida, desligue a garrafa de gás do grelhador. Se o grelhador estiver quente, espere que arrefeça. Espere a ventilação do gás, verifique se a instalação de gás apresenta danos. Se não for observada nenhuma fuga, prepare o detetor de gás, ligue a garrafa de gás ao grelhador e, abrindo a válvula da garrafa, comece a detetar o local da fuga de gás. Se o local da fuga não for encontrado e os efeitos da fuga de gás ainda forem observáveis, leve o grelhador a um centro de assistência autorizado.

Proteção contra queimaduras

O grelhador aquece a temperaturas elevadas durante a utilização. A tampa do grelhador, a grelha e as tampas dos queimadores são os elementos que recebem mais calor. No entanto, mesmo outras partes do grelhador podem aquecer a temperaturas que causam queimaduras graves se forem tocadas com uma mão desprotegida. Utilize luvas de proteção para evitar queimaduras quando utilizar o grelhador. Durante o trabalho, nunca agarre em qualquer parte do grelhador com a mão desprotegida.

MANUTENÇÃO, ARMAZENAMENTO E TRANSPORTE

Quando terminar de utilizar o grelhador, feche as válvulas de todos os queimadores, depois feche a válvula da garrafa e desligue-a do grelhador. Deixe arrefecer completamente todos os componentes do grelhador. A grelha, o tabuleiro e as tampas dos queimadores devem ser limpos após cada utilização com um produto de limpeza concebido para grelhadores ou fornos. Não é aconselhável utilizar objetos metálicos afiados para eliminar resíduos de alimentos secos.

Limpe os restantes componentes do grelhador com um pano ou uma esponja e detergentes disponíveis no mercado para a limpeza de superfícies metálicas.

Antes de cada utilização, verifique o estado da instalação de gás, especialmente dos queimadores, e se forem observados ferrugem ou danos, substitua os componentes defeituosos por novos. Para o efeito, contacte o centro de assistência autorizado do fabricante.

Verifique o estado da mangueira flexível antes de cada utilização. Se notar algum dano ou desgaste na mangueira, substitua-a por uma nova. Recomenda-se que a mangueira seja substituída periodicamente, pelo menos de 10 em 10 anos, mesmo que não apresente sinais de desgaste.

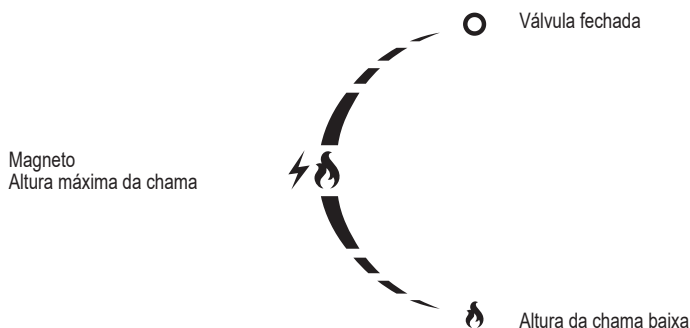
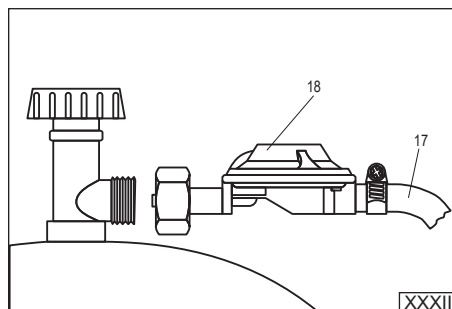
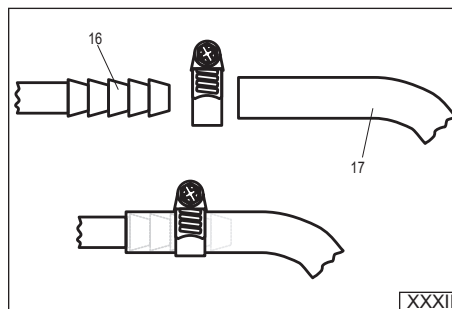
Antes de armazenar o grelhador, certifique-se de que todos os reguladores do gás estão na posição correta: "fechado". Feche a válvula situada na garrafa de gás e, em seguida, desligue-a do grelhador. É proibido armazenar o grelhador com uma garrafa de gás ligada. Armazene o grelhador e a garrafa num local seco e escuro, protegido do acesso de pessoas não autorizadas. Armazene o grelhador num local sem pó. Mantenha todas as tampas dos queimadores fechadas durante o armazenamento. Durante o armazenamento prolongado no inverno, por exemplo, é aconselhável cobrir o grelhador para o proteger do pó e da sujidade. A área de armazenamento deve ser bem ventilada, o que evitará a acumulação de humidade nos componentes do dispositivo, o que pode levar à corrosão. A corrosão pode alterar o desempenho dos componentes do sistema de gás, o que pode levar a uma fuga de gás descontrolada e resultar num incêndio ou explosão.

Não tape as aberturas de ventilação da área de armazenamento de garrafas. A acumulação de gás pode provocar um incêndio ou uma explosão.

Transporte o grelhador em distâncias curtas (alguns metros) utilizando as rodas fornecidas com o mesmo. Se for necessário transportar o grelhador por longas distâncias utilizando meios de transporte separados, o grelhador deve ser desmontado, transportado na sua embalagem de fábrica e depois montado novamente. É proibido transportar o grelhador em qualquer distância com uma garrafa de gás ligada a ele. Antes do transporte, feche a válvula da garrafa de gás e desligue-a do grelhador.

17. mangueira de gás (não fornecida - a adquirir separadamente)

18. redutor de gás (não fornecida - a adquirir separadamente)



proizvođača.

Prije svake uporabe provjerite stanje elastičnog crijeva. Ako primijetite oštećenje ili istrošenost crijeva, zamijenite ga novim. Preporuča se povremena zamjena crijeva barem svakih 10 godina, čak i ako ne pokazuje znakove istrošenosti.

Prije spremanja roštilja provjerite jesu li svi regulatori plina postavljeni na sljedeći položaj: "zatvoreno". Treba zatvoriti ventil na plinskoj boci i zatim je odvojite od roštilja. Zabranjeno je čuvati roštilj s priključenom plinskom bocom. Roštilj i bocu treba čuvati u suhim i tamnim prostorijama, zaštićenim od neovlaštenog pristupa. Roštilj čuvati na mjestu bez prašine. Zatvorite sve poklopce plamenika tijekom skladištenja. Tijekom dugotrajnog skladištenja, npr. tijekom zime, preporuča se pokriti roštilj kako bi se zaštitio od prašine i prijavštine. Osigurajte dobru ventilaciju u skladišnom prostoru kako biste spriječili nakupljanje vlage na komponentama uređaja, što može dovesti do korozije. Korozija može promijeniti parametre komponenti plinskog sustava, što može dovesti do nekontroliranog protoka plina i rezultirati požarom ili eksplozijom.

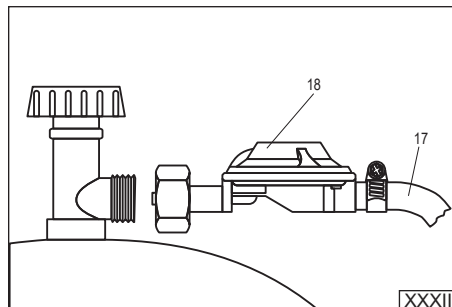
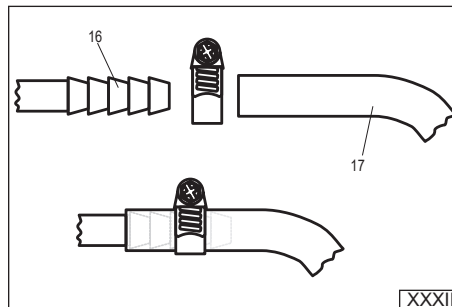
Nemojte prekrivati ventilacijske otvore skladišne prostorije za boce. Nakupljanje plina može dovesti do požara ili eksplozije.

Prijevozite roštilj na kratke udaljenosti (desetak metara) pomoću kotača koji su priloženi uz njega. Ako trebate transportirati roštilj na velike udaljenosti korištenjem posebnih prijevoznih sredstava, roštilj treba rastaviti, transportirati u tvorničkom pakiranju i zatim ponovno sastaviti. Zabranjeno je transportirati roštilj na bilo koju udaljenost s priključenom plinskom bocom. Prije transporta zatvorite ventil plinske boce i odvojite ga od roštilja.

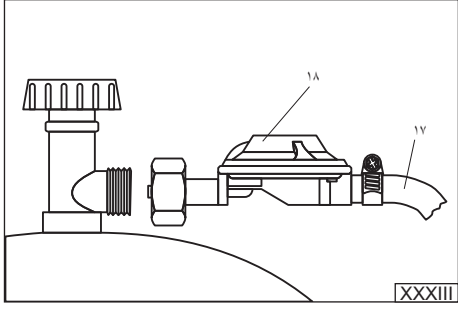
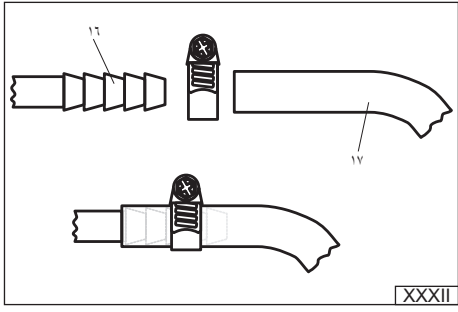


17. plinsko crijevo (nema u kompletu - kupuje se zasebno)

18. plinski reduktor (nema u kompletu - kupuje se zasebno)



٧١. خرطوم الغاز (غير متضمن - يتم شراؤه بشكل منفصل)
٨١. مخفض الغاز (غير متضمن - يتم شراؤه بشكل منفصل)



TOYA S.A.
ul. Sołtysowicka 13 - 15
51 - 168 Wrocław
tel.: 071 32 46 200
fax: 071 32 46 373
e-mail: biuro@yato.pl

ODDZIAŁ WARSZAWSKI
Teren ProLogis Park Nadarzyna
al. Kasztanowa 160
05 - 831 Młochów k. Nadarzyna
tel.: 022 73 82 800
fax: 022 73 82 828

DEKLARACJA ZGODNOŚCI | DECLARATION OF CONFORMITY | DECLARAȚIE DE CONFORMITATE

0124/YG-20018/EC/2024

Urządzenie lub osprzęt:
Appliance or fitting:
Aparat sau accesoriu:

Grill gazowy: YG-20018
Gas bbq grill: YG-20018
Grătarul cu gaz: YG-20018

Nazwa i adres producenta:
Name and address of the manufacturer:
Denumirea și adresa producătorului:
TOYA SA, ul. Sołtysowicka 13-15, 51-168 Wrocław, Polska | Poland | Polonia

Niniejszą deklarację zgodności wydaje się na wyłączną odpowiedzialność producenta.
This declaration of conformity is issued under the sole responsibility of the manufacturer.
Prezenta declarație de conformitate este emisă pe răspunderea exclusivă a producătorului.

Grill gazowy; nr katalogowy: YG-20018
Gas bbq grill: item no. YG-20018
Grătarul cu gaz: cod articol YG-20018
11,2 kW (814 g/h) (3 x 3.0 kW + 2,2 kW); I3B/P(37);

Przedmiot niniejszej deklaracji jest zgodny z wymaganiami Rozporządzenia Parlamentu Europejskiego i Rady (UE) nr:
The object of the declaration is in conformity with the relevant Union harmonisation legislation:
Obiectul declarației este conform legislației relevante de armonizare a Uniunii:

2016/426 Urządzenia gazowe
2016/426 Appliances burning gaseous fuels
2016/426 Aparatele consumatoare de combustibili gazoși

oraz jest zgodne z poniższymi normami zharmonizowanymi:
and fulfill requirements of the following European Directives:
satisfac cerințele Standardelor europene:

EN 498:2012
EN 484:1997

Jednostka notyfikowana: | The notified body: | Organismul notificat:

KIWA Nederland B.V. (0063)

przeprowadziła badanie typu UE i wydała certyfikat badania typu UE: | performed EU-type examination and issued the certificate: | a efectuat examinarea UE de tip și a emis certificatul
18GR0441/02 (2029.08.18)

Wrocław, 2024.01.02
(miejsce i data wystawienia)

 **TOYA SPÓŁKA Z OGRANICZONĄ ODPOWIEDZIALNOŚCIĄ**
SPECJALISTA DS. TECHNICZNYCH
TOMASZ ZYCH

(nazwisko i podpis osoby upoważnionej)

