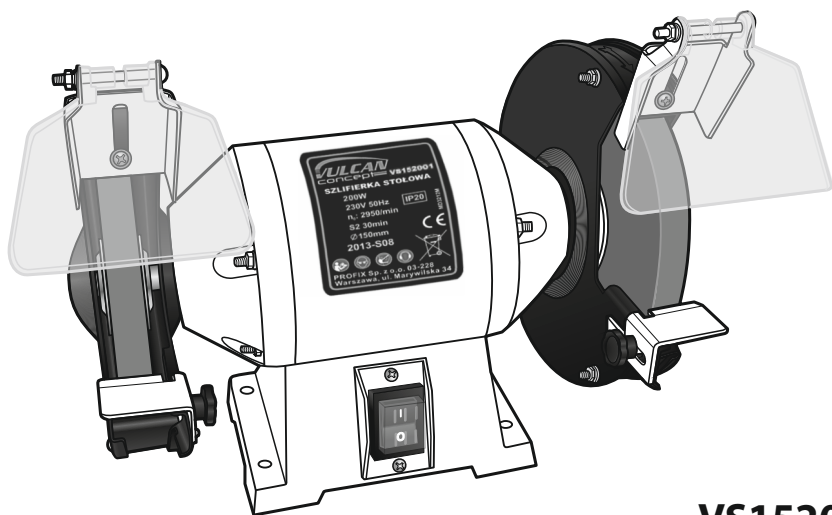


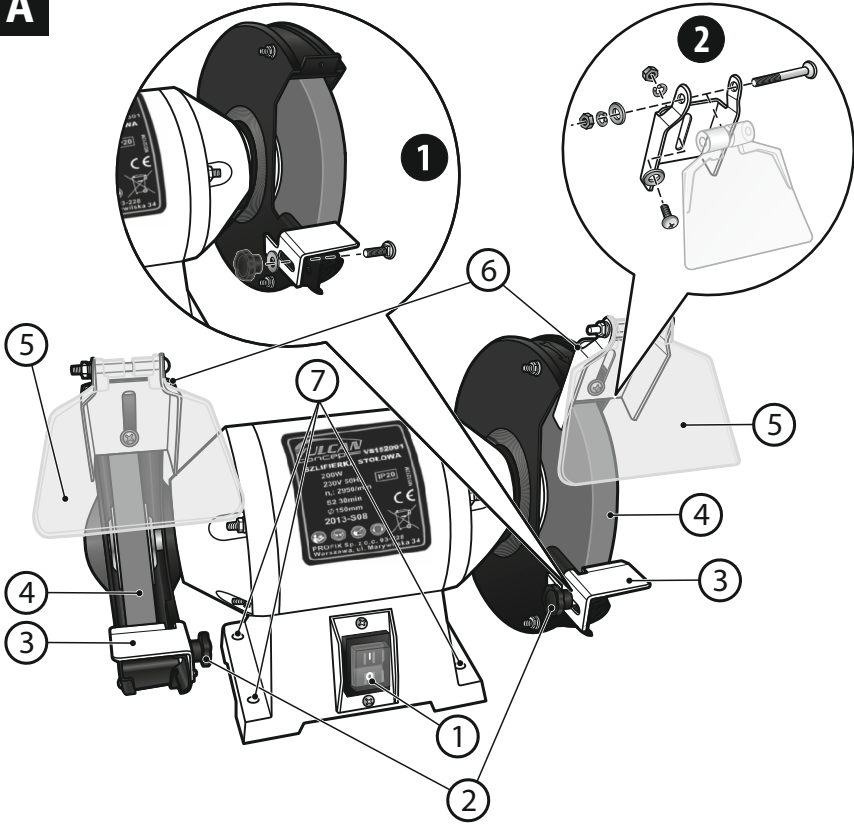
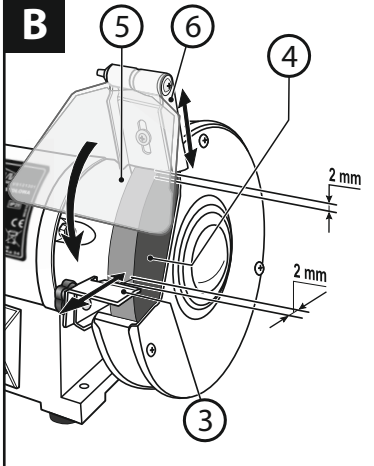
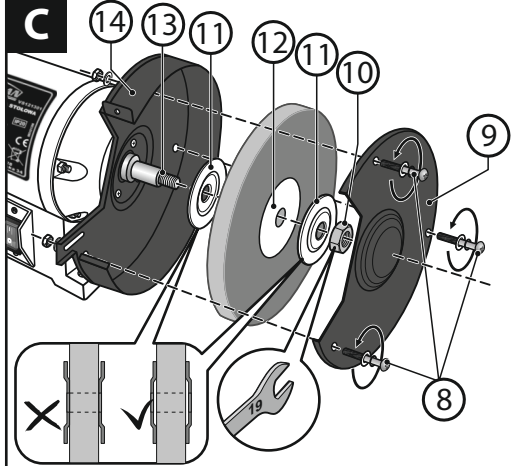
VULCAN

concept



VS152001

GB Operating instruction	BENCH GRINDER	3
PL Oryginalna instrukcja obsługi	SZLIFIERKA STOŁOWA	8
RU Инструкция по эксплуатации	НАСТОЛЬНАЯ ШЛИФОВАЛЬНАЯ МАШИНА	13
RO Instrucții de folosire	POLIZORUL ELECTRIC DE BANC	19
LV Lietošanas instrukcija	STACIONĀRĀ SLĪPMAŠĪNA	24
CZ Návod na obsluhu	STOLNÍ BRUSKA.....	29
LT Naudojimo instrukcija	STALINĖS ŠLIFAVIMO STAKLĖS.....	34
HU Használati utasítások	KETTŐS KÖSZÖRŰ	39

A**B****C**



BEFORE YOU START USING THE MACHINE READ THOROUGHLY THIS MANUAL.

Keep this document for future reference.



WARNING! Read all safety warnings marked with a symbol  and all operating safety instructions.

To limit the risk of fire, electric shock and injury while using the device, follow all operating safety instructions and tips provided below.

Keep all work safety instructions and tips for future reference.

In warnings provided herein the expression "power tool" means a power tool powered from the mains (with a power cord) or a battery powered power tool (cordless).



WARNING! General work safety warnings for use of the tool.

Workplace safety:

- Keep your workplace tidy and well lit.** *Untidiness and bad lighting result in higher accident rate.*
- Do not use the power tool in explosive environments, created by flammable liquids, gases or dusts.** *The power tool generates sparks that can ignite dust or vapors.*
- Keep children and unauthorized persons away from the place where the power tools are used.** *Inattention may result in losing control over your power tool.*



WARNING! General warnings regarding the use of power tools.

Electric safety:

- Plugs used in power tools must match wall outlets. Never modify the plug of your power tool. Do not use any extension cables when operating a power tool with a grounding/earthing conductor (PE).** *Any modifications of plugs and outlets increase the risk of electric shock.*
- Avoid touching earthed surfaces or grounded items like pipes, heaters, central heating radiators and refrigerators.** *Touching earthed or grounded surfaces increases the risk of electric shock.*
- Do not expose your power tool to rain or damp environments.** *Water penetrating the tool increases the risk of electric shock.*
- Do not damage the power cord. Never use the power cord to carry, pull the power tool and do not pull by its power cord to disconnect plug from the outlet. Keep the power cord away from sources of heat, oils, sharp edges and moving parts.** *Damaged or entangled power cords increase the risk of electric shock.*
- When your power tool is operated outdoors use extension cords intended for outdoor use only. Using an extension cable intended for outdoor use decreases the risk of electric shock.
- It is recommended to connect the device to a mains supply equipped with a residual current device (RCD) with a rated current of 30 mA or less.**
- When it is unavoidable to use your power tool in a damp environment use an RCD (Residual Current Device) for protection.** *The use of RCDs decreases the risk of electric shock.*



WARNING! General warnings regarding the use of power tools.

Personal safety:

- This equipment is not intended for use by persons (including children) disabled physically, mentally, sensorial or persons with no experience and knowledge in operating the equipment unless they operate the equipment under supervision or follow user's instructions provided by persons responsible for their safety.**
- It is necessary to predict steps, watch and keep common sense when using power tools. Do not operate power tools when you are tired, under influence of drugs, medicine or alcohol.** *A moment of inattention while operating a power tool may result in serious personal injury.*
- Use personal protective equipment (PPE).** *Always wear safety goggles. Wearing personal protective equipment (PPE) including a dust mask, anti-slippery footwear, a helmet and ear protection reduces personal injury.*
- Avoid unexpected start up. Before connecting your power tool to the mains and/or inserting a battery make sure its power switch is in off position.** *Carrying your power tool with a finger on its power switch or without disconnecting it from the mains (switched on) may result in an accident.*
- Before starting your power tool remove any keys/wrenches.** *Leaving a key/wrench in the rotating part of your power tool may result in personal injury.*
- Do not lean forward too far. Always remain stable and maintain balance.** *It will allow you to have a better control over your power tool in unpredictable situations.*
- Wear appropriate clothing. Do not wear loose clothes or jewelry. Keep your hair tied. Keep your clothes away from moving parts.** *Loose clothes, jewelry or long hair may be caught by moving parts.*
- If your power tool allows for using an external dust extraction or collection system, make sure it is connected and used properly. Using dust collectors may reduce dust affected risks.**



WARNING! General warnings regarding the use of power tools.

Use and taking care of your power tool:

- Do not overload your power tool. Use a power tool with power adjusted to work being done.** *An appropriately chosen power tool will allow you to work better and safer under load it has been designed for.*
- Do not use a power tool when its power switch is out of order (it does not switch it on or off).** *Any power tool with its power switch out of order is dangerous and must be repaired.*
- Always disconnect the plug from the power source and/or disconnect its battery before changing any settings, performing replacement or storage.** *Such preventive measures reduce the risk of accidental power tool start up.*
- Keep your power tool out of reach of children and do not allow unauthorized persons to use the power tool.** *Power tools in hands of untrained persons can be dangerous.*

- e) **Power tools require maintenance.** Check power tools for concentricity or jamming of moving parts, any cracks and all other factors affecting the power tool work safety. If any damage to the power tool is detected, it should be repaired before use. *Improper power tool maintenance is a reason for many accidents.*
- f) **Cutting tools should be sharp and clean.** Keeping sharp cutting edges in good condition reduces the risk of jamming and facilitates operation.
- g) **Power tools, equipment, working tools etc. should be used according to this user's manual taking into account operating conditions and the work to be done.** Misusing a power tool can result in dangerous situations.
- h) **At low temperatures and after a long brakes in operation it is recommended to turn the power tool to operate it with no load for a few minutes to provide proper grease distribution inside its driving mechanism.**
- i) **Use soft, damp (cannot be wet) cloth and soap to clean power tools. Do not use petrol, solvents and other agents that may damage your equipment.**
- j) **Power tools can be stored/carried after making sure that all moving components are locked and protected against release with original devices intended for this purpose.**
- k) **Store power tools in a dry, dust and water-protected place.**
- l) **Carry your power tool in its original packaging to provide protection against mechanical damage.**



WARNING! General warnings regarding the use of power tools.

Repair:

- a) **Warranty and post-warranty repairs of its power tools are carried out by PROFIX Service, which guarantees the best quality or repair and use of genuine spare parts.**
- b) **If a fixed power cord is damaged, to avoid risks it should be replaced by power tool manufacturer or in a speciality repair shop or by a qualified person.**



WARNING!

While operating power tools it is necessary to observe basic work safety rules to avoid fire, electric shock or mechanical injury.



WARNING! BENCH GRINDER, safety warnings

Personal safety:



Always wear safety goggles

- a) **The power tool should be operated with anti-spark guard in place.** Sparks produced during operation can result in eye injuries, and setting objects in the area on fire.
- b) **During operation anti-spark guards should be tilted downwards as much as possible.** Machining metals generate sparks.
- c) **Never put hands under the grinding wheel while in motion.** It can result in serious injuries.

- d) **Use only grinding wheels recommended by the tool manufacturer and marked with at least the same maximum speed as the maximum speed permissible for the machine, as shown on its nameplate.** *The fact that a grinding wheel can be installed on the machine does not guarantee its safe use.*
- e) **Under no circumstances are you allowed to use distorted or damaged grinding wheels. Before each use always check the grinding wheel for chips and cracks.** *Whenever you drop the power tool or any grinding wheel, check it for damage and use other undamaged grinding wheel, if necessary. Once the grinding wheel is checked and installed, start your power tool and allow it to run at maximum speed for 1 minute, making sure that the user and any other persons keep a safe distance from the grinding wheel working area.*
- f) **Check the distance between the bench top on a regular basis. Set the anti-spark guard as often as it necessary to compensate for its wear and provide constant gap of not more than 2 mm between the grinding wheel and its guard.** *When the gap exceeds the above mentioned value the protection is compromised. The object machined can be drawn in when the grinding wheel rotates resulting in injuries to the operator.*
- g) **Wear protective clothing (an apron). Make sure sparks generated during operation do not reach anybody staying in the area. Remove any flammable materials from the working zone.**
- h) **Maximum permissible wheel speed cannot be lower than the maximum speed provided on machine's nameplate. The wheel rotating at a speed exceeding its permissible speed can break or produce chips.**



WARNING! BENCH GRINDER, safety warnings

Electrical safety:

- a) **Do not use a power tool with its power cord damaged. Do not touch the power cord when damaged; in case of damaging the power cord during operation unplug it from the mains.** *Damaged power cords increase the risk of electric shock.*
- b) **The power tool must be connected to a properly grounded/earthed power source. A wall socket and any extension cable must be fitted with a working protective (PE) conductor of earthing system.**
- c) **The grinding machine is equipped with an undetachable power cord.** *If the undetachable power cord is damaged, it should be replaced with a special cord or a set available from the manufacturer or a special repair shop.*



WARNING! BENCH GRINDER,

General safety warnings:

- a) **Place the material to be machined on the rotating grinding wheel. The power tool can be switched off after removing the material machined.** *The material machined can move abruptly.*
- b) **Do not place the material to be machined on the grinding wheel side. Always grind by moving the material forwards.** *The object machined can be thrown out of your hand during grinding resulting in injuries.*
- c) **Fix the grinding machine carefully to the bench using bolts or to any other stable surface to prevent any uncontrollable**

movement and minimize device-generated vibrations.

- d) **Check grinding wheels before each use. Grinding wheels should be properly fixed and should allow for free movement. Carry out a no load test run at its maximum speed for at least one minute. Do not use damaged or vibrating grinding wheels. Damaged grinding wheels can break resulting in serious injuries.**
- e) **Children are not allowed to operate the device under any circumstances.**

APPLICATIONS:

The bench grinder is intended for dry rough and fine grinding of metals, plastics and other materials provided appropriate grinding wheel is used.

The tool is designed for minor grinding jobs such as: processing and sharpening knives, scissors, drill bits, wood and stone chisels, cold chisels etc.

It is absolutely prohibited to use the tool in other applications.

Each application of the tool not in line with the intended use as specified below is strictly forbidden and makes the warranty terms null and void. The manufacturer shall not be held responsible for possible consequential damage that may arise due to or in connection with such application.

Any modifications of the tool by the user relieve the manufacturer from responsibility for any damage and injuries to the user and the surroundings.

Application of the tool in accordance with the intended use also refers to its maintenance, storage, transportation and repairs.

Defective electric tools can be handed over for repairs exclusively to service workshops appointed by the tool manufacturer. The tools supplied from electric grid shall be repaired exclusively by authorized electricians.

Despite using the tool according to its intended application it is impossible to eliminate certain residual risk factors. Considering the tool construction the following risks may occur when operating the tool:

- *Touching the abrasive wheel in its unguarded area.*
- *Throwing back grinding wheel parts by centrifugal force.*
- *Throwing back machined object or its fragment.*
- *Hearing loss if no necessary hearing protection is used.*
- *Cracking/breaking the grinding wheel.*
- *Harmful dust emission when dry grinding indoors.*

THE SET INCLUDES:

- Bench grinder - 1 piece
- Multi-grain grinding wheel - 1 piece
- Fine grinding wheel - 1 piece
- Anti-spark guards with fixings - 2 pieces
- Machined object supports with fixings - 2 pieces
- User's manual - 1 piece
- Warranty card - 1 piece

CONSTRUCTION:

The bench grinding machine is driven by a single-phase electric motor and is a Class I device – wall outlets and extension cables must be equipped with an earthing conductor/terminal.

Its construction is shown in Fig. A-Con p. 2:

- Fig. A:**
1. Switch (on/off)
 2. Butterfly nut
 3. Machined object support
 4. Grinding wheel
 5. Anti-spark guard
 6. Anti-spark guard fixing
 7. Base mounting holes
- Fig. C:**
8. Fixing holes
 9. Side guard
 10. Retaining nut
 11. Pressure flange
 12. Paper washer
 13. Spindle
 14. Grinding wheel guard

SPECIFICATIONS:

Rated voltage	230 V
Rated frequency	50 Hz
Power consumption	200 W
No load maximum speed	2950 rpm
Grinding wheel dimensions (max. diameter x thickness x hole diameter)	150 x 16 x 12,7mm
Grinding wheel granularity 1/2	36/60
No load peripheral speed	23 m/s
Operation cycle	S2 30 min
Equipment Class	I
Weight	8,5 kg
Sound pressure level (LpA)	62,6 dB(A), ±3dB(A)
Sound power level (LpW)	75,6 dB(A), ±3dB(A)

S2 30 min – interrupted operation, rated operation time 30 min.

NOTE! After 30 minutes of constant load operation stop using the machine and allow it to cool down completely.

PREPARING FOR OPERATION:

After unpacking the product check whether all components are present and install all parts supplied separately by following the assembly instructions.

NOTE: Before you start any installation or maintenance/adjustment always make sure that the machine is disconnected from the mains.

■ Positioning the machine

To ensure operation safety, fix the grinding machine to a flat and stable working surface (e.g. a workbench).

Place the grinder on a stable horizontal surface (table, bench) in an area providing free access and safe operation. Using the base mounting holes (7) install the machine on the bench securely with four fixing bolts. Bolts length depends on the bench top thickness.

■ Installing the machined object supports

Machined object supports (3) should be installed as shown in Fig. A2, p.2.

The gap between grinding wheel (4) and the machined object support (3) cannot exceed 2 mm and must be adjusted on a regular basis (see: Fig. B, p.2).

NOTE: Adjustments can be made only when the grinding wheel is stopped.

If the grinding wheel is worn so much that it is not possible to adjust the support gap as required, replace the grinding wheel.

■ Installing the anti-spark guards

Anti-spark guards (5) should be installed as shown in Fig. A2, p.2.

The gap between grinding wheel (4) and an anti-spark guard (6) cannot exceed 2 mm and must be adjusted on a regular basis (see: Fig. B, p.2).

NOTE: Adjustments can be made only when the grinding wheel is stopped.

■ Replacing grinding wheels

NOTE: Protect the grinding wheel against falls, impacts and greasy contamination. It is prohibited to use the machine with grinding wheels damaged or non-compliant to specifications. Always check the grinding wheel for any damage before installation.

Check grinding wheel using the so-called «sound» method. After placing your grinding wheel on a wooden bar turn and tap it with a mallet; the check should cover both sides of the grinding wheel and different distances from the hole:

- a) pure metal sound: the grinding wheel is not damaged – it can be used.
- b) rattling and quick stopping sound: the grinding wheel is cracked – it is not allowed to use it as using it can be dangerous to the user.

To replace a grinding wheel (4) use a Ph2 screwdriver and an M8 flat wrench to undo 3 fixing screws (8) and remove the side guard (9) (see: Fig. C, p.2). Loosen the fixing nut (10) with an M19 flat wrench (**NOTE:** The left grinding wheel is fixed with a left-hand thread, the right cutting wheel is fixed with a right-hand thread) holding the nut fixing the pressure flange from the other side. Then, remove pressure flange (11), paper washer (12) and the grinding wheel off the spindle (13). Now you can replace the grinding wheel. To install a new grinding wheel perform the above steps in opposite direction. Pressure flanges should be pointed with their concave sides towards the grinding wheel.

NOTE: After completing the replacement, the grinding wheel should run for at least 1 minute with no load.

BEFORE YOU START OPERATION:

1. Make sure the power source parameters match the grinder parameters provided on its nameplate.
2. Make sure its switch (1) is in off position.
3. When using an extension cord make sure its parameters and cable cross-section meet the grinder power requirements. Extension cords should be as short as possible. When in use extension cords must be fully uncoiled.
4. Before you start operation check whether grinder fixing is secure, making sure the grinding wheels move without any obstacles.

OPERATION:

■ Turning on/off

To turn the tool on set the switch (1) in position I.

To turn the tool off set the switch (1) in position 0.

NOTE: After changing or when starting operation, the grinding wheel should run for at least 1 minute with no load.

■ Grinding

Place the object to be ground on the machined object support (3) and press it against the grinding wheel (4). For optimum grinding effect keep moving the object slightly from one side to the other. This is the best way both to provide optimum performance and uniform grinding wheel wear. Please note that objects being ground heat up intensely. Considering this, it is recommended to cool down the object machined from time to time.

During operation the grinding wheel loses its process properties i.e. pores get clogged due to material penetrating inside and it loses its circular shape. To open the pores it is recommended to use diamond or other dressers.

WARNING: Dusts of certain materials, for example, lead containing paint coats, some wood types, minerals and some metals can be harmful. Direct physical exposure to dusts or inhaling them can result in allergic reactions and/or respiratory system diseases in operator and persons staying in the working area. Some dusts, e.g. oak wood or beech wood dust are considered to be carcinogenic, especially when combined with wood treatment chemicals (chromates, wood impregnates). Asbestos containing materials can be machined by specially trained personnel only.

- Always keep the workplace well ventilated.
- Dust masks are recommended.

Observe all valid national and local regulations on handling materials to be machined.

MAINTENANCE AND STORAGE:

This power tool does not require any special maintenance. Store the machine in a place away from children, keep it clean and protect from humidity and dust. Storage conditions should exclude any mechanical damage and weathering.

This device meets the requirements of both national and European standards and safety guidelines. Any repair should be carried out only by qualified personnel using original spare parts.

■ Cleaning

NOTE: Before carrying out any cleaning unplug the machine from the mains.

To provide safe and efficient operation it is recommended to clean the tool directly after each use.

Remove any deposits using compressed air.

Clean the grinder housing with clean damp cloth and some soap. Do not use any cleaning agents and solvents, as they can damage machine plastic components. Protect machine interior against water penetration.

PROTECTION OF THE ENVIRONMENT:



NOTE: The symbol nearby denotes that old equipment must never be thrown away together with other waste (with the penalty of a fine). Hazardous components of electronic equipment may adversely affect the natural environment and human health.

Each household may contribute to the recovery and reuse (recycling) of old machinery and equipment. Both in Poland and Europe a system for recovery of used equipment either exists or is being created. The system obliges all organizations that sell such equipment to collect the used machinery and appliances. Moreover, general purpose collecting points for such equipment are available.

MANUFACTURER:

PROFIX Ltd.,
34 Marywilka Street,
03-228 Warsaw, POLAND.

PICTOGRAMS:

Explanation of the icons located on the nominal plate and the information tags:



– *«Read this instruction before switching on the power supply and starting the work»*



– *«Always wear safety goggles»*



– *«Wear a dust mask»*



– *«Wear hearing protection»*



The policy of the PROFIX company consists in permanent improvements of the offered products and therefore the company reserves the right to make amendments to the product specification without a prior notice. The images included into the operation manual are only of the exemplary nature and may slightly differ from actual appearance of the device purchased.


This instruction manual is protected by copyright. Copying it without the written consent of PROFIX Co. Ltd. is prohibited.



PRZED PRZYSTĄPIENIEM DO UŻYTKOWANIA NALEŻY ZAPOZNAĆ SIĘ NINIEJSZĄ INSTRUKCJĄ.

Zachowaj instrukcję do ewentualnego przyszłego wykorzystania.



OSTRZEŻENIE! Należy przeczytać wszystkie ostrzeżenia dotyczące bezpieczeństwa użytkowania oznaczone symbolem  i wszystkie wskazówki dotyczące bezpieczeństwa użytkowania.

Nieprzestrzeżenie podanych niżej ostrzeżeń dotyczących bezpieczeństwa i wskazówek dotyczących bezpieczeństwa może być przyczyną porażenia prądem elektrycznym, pożaru i/lub poważnych obrażeń.

Zachowaj wszystkie ostrzeżenia i wskazówki dotyczące bezpieczeństwa, aby móc skorzystać z nich w przyszłości.

W podanych niżej ostrzeżeniach wyrażenie „elektronarzędzie” oznacza elektronarzędzie zasilane z sieci (z przewodem zasilającym) lub elektronarzędzie zasilane z akumulatora (bezprowodowe).



OSTRZEŻENIE! Ogólne ostrzeżenia dotyczące bezpieczeństwa użytkowania narzędzia.

Bezpieczeństwo w miejscu pracy:

- W miejscu pracy należy utrzymywać porządek i dobre oświetlenie. Nieporządek i złe oświetlenie przyczynia się do wypadków.
- Nie należy używać elektronarzędzia w środowiskach wybuchowych, tworzonych przez łatwo palne ciecze, gazy lub pyły. Elektronarzędzie wytwarza iskry, które mogą zapalić pył lub opary.
- Nie należy dopuszczać dzieci i obserwatorów do miejsc, w których używa się elektronarzędzi. Rozproszenie uwagi może spowodować utratę kontroli nad elektronarzędziem.



OSTRZEŻENIE! Ogólne ostrzeżenia dotyczące bezpieczeństwa użytkowania narzędzia.

Bezpieczeństwo elektryczne:

- Wtyczki elektronarzędzi muszą pasować do gniazdek. Nigdy w żaden sposób nie należy przerabiać wtyczki. Nie należy używać żadnych przedłużaczy w przypadku elektronarzędzi mających przewód z żyłą uziemienia ochronnego. Brak przeróbek we wtyczkach i gniazdkach wtyczkowych zmniejsza ryzyko porażenia prądem elektrycznym.
- Należy unikać dotykania powierzchni uziemionych lub zwartych z masą, takich jak rury, ogrzewacze, grzejniki centralnego ogrzewania i chłodziarki. W przypadku dotknięcia części uziemionych lub zwartych z masą, wzrasta ryzyko porażenia prądem elektrycznym.
- Nie należy narażać elektronarzędzi na działanie deszczu lub warunków wilgotnych. W przypadku przedostania się do elektronarzędzia wody, wzrasta ryzyko porażenia prądem elektrycznym.
- Nie należy nadwierać przewodów przyłączeniowych. Nigdy nie należy używać przewodu przyłączeniowego do przenoszenia, ciągnięcia elektronarzędzia lub wyciągania wtyczki z gniazdka. Należy trzymać przewód przyłączeniowy z

daleka od źródeł ciepła, olejów, ostrych krawędzi lub ruchomych części. Uszkodzone lub zaplątane przewody przyłączeniowe zwiększają ryzyko porażenia prądem elektrycznym.

- W przypadku, gdy elektronarzędzie używa się na wolnym powietrzu, przewody przyłączeniowe należy przedłużać przedłużaczami przeznaczonymi do pracy na wolnym powietrzu. Używanie przedłużacza przeznaczonego do pracy na wolnym powietrzu zmniejsza ryzyko porażenia prądem elektrycznym.
- Zaleca się podłączenie urządzenia do sieci elektrycznej wyposażonej w wyłącznik różnicowo-prądowy (RCD) o prądzie wyłączenia 30mA lub mniejszym.
- W przypadku, gdy używanie elektronarzędzia w środowisku wilgotnym jest nieuniknione, jako ochronę przed napięciem zasilania należy stosować urządzenie różnicowoprądowe (RCD). Zastosowanie RCD zmniejsza ryzyko porażenia prądem elektrycznym.



OSTRZEŻENIE! Ogólne ostrzeżenia dotyczące bezpieczeństwa użytkowania narzędzia.

Bezpieczeństwo osobiste:

- Niniejszy sprzęt nie jest przeznaczony do użytkowania przez osoby (w tym dzieci) o ograniczonej zdolności fizycznej, czuciowej lub psychicznej, lub osoby nie mające doświadczenia lub znajomości sprzętu, chyba że odbywa się to pod nadzorem lub zgodnie z instrukcją użytkowania sprzętu, przekazanej przez osoby odpowiadające za ich bezpieczeństwo.
- Należy być przewidującym, obserwować co się robi i zachowywać rozsądek podczas używania elektronarzędzia. Nie należy używać elektronarzędzia, gdy jest się zmęczonym lub pod wpływem narkotyków, alkoholu lub leków. Chwila nieuwagi podczas pracy elektronarzędziem może spowodować poważne osobiste obrażenia.
- Należy stosować wyposażenie ochronne. Należy zawsze zakładać okulary ochronne. Używanie w odpowiednich warunkach wyposażenia ochronnego, takiego jak maska przeciwpyłowa, obuwie antypoślizgowe, kask lub ochronniki słuchu, zmniejsza osobiste obrażenia.
- Należy unikać niezamierzonego rozruchu. Przed przyłączeniem do źródła zasilania i/lub przed podłączeniem akumulatora oraz zanim podniesie się lub przeniesie się narzędzie należy upewnić się, że wyłącznik elektronarzędzia jest w pozycji wyłączony. Przenoszenie elektronarzędzia z palcem na wyłączniku lub przyłączenie elektronarzędzia do sieci zasilającej przy załączonym wyłączniku może być przyczyną wypadku.
- Przed uruchomieniem elektronarzędzia należy usunąć wszystkie klucze. Pozostawienie klucza w obracającej się części elektronarzędzia może spowodować osobiste obrażenia.
- Nie należy wychylać się za daleko. Należy cały czas stać pewnie i zachować równowagę. Umożliwi to lepszą kontrolę nad elektronarzędziem w sytuacjach nieprzewidywalnych.
- Należy odpowiednio się ubierać. Nie należy nosić luźnego ubrania ani biżuterii. Należy utrzymywać swoje włosy,

ubranie i rękawiczki z dala od części ruchomych. Luźne ubrania, biżuteria lub długie włosy mogą zostać zacementowane przez części ruchome.

- h) Jeżeli urządzenie są przystosowane do przyłączenia zewnętrznego odciągu pyłu i pochłaniacza pyłu, należy upewnić się, że są one przyłączone i prawidłowo użyte. Użycie pochłaniacza pyłu może zredukować zagrożenia zależne od zapylenia.



OSTRZEŻENIE! Ogólne ostrzeżenia dotyczące bezpieczeństwa użytkowania narzędzia.

Użytkowanie i troska o elektronarzędzie:

- a) Nie należy elektronarzędzia przeciążać. Należy stosować elektronarzędzie o mocy odpowiedniej do wykonywanej pracy. Właściwe elektronarzędzie umożliwi pracę lepszą i bezpieczniejszą przy obciążeniu, na jakie zostało zaprojektowane.
- b) Nie należy używać elektronarzędzia, jeżeli łącznik go nie załącza i nie wyłącza. Każde elektronarzędzie, którego nie można załączać lub wyłączać łącznikiem, jest niebezpieczne i musi zostać naprawione.
- c) Należy odłączyć wtyczkę ze źródła zasilania elektronarzędzia i/lub odłączyć akumulator przed wykonaniem każdej nastawy, wymiany części lub magazynowaniem. Takie zapobiegawcze środki bezpieczeństwa redukują ryzyko przypadkowego rozruchu elektronarzędzia.
- d) Nieużywane elektronarzędzie należy przechowywać poza zasięgiem dzieci i nie należy pozwalać osobom nieznanym z elektronarzędziem lub niniejszą instrukcją na używanie elektronarzędzia. Elektronarzędzia są niebezpieczne w rękach nieprzeszkolonych użytkowników.
- e) Elektronarzędzia należy konserwować. Należy sprawdzać współosiowość lub zakleszczenie się części ruchomych, pęknięcia części i wszystkie inne czynniki, które mogą mieć wpływ na pracę elektronarzędzia. Jeżeli stwierdzi się uszkodzenia, należy elektronarzędzie przed użyciem naprawić. Przyczyną wielu wypadków jest niefachowy sposób konserwacji elektronarzędzia.
- f) Narzędzia tnące powinny być ostre i czyste. Odpowiednie utrzymywanie ostrych krawędzi narzędzi tnących zmniejsza prawdopodobieństwo zakleszczenia i ułatwia obsługę.
- g) Elektronarzędzie, wyposażenie, narzędzia robocze itp. należy stosować zgodnie z niniejszą instrukcją, biorąc pod uwagę warunki pracy i rodzaj pracy do wykonania. Używanie elektronarzędzia w sposób, do jakiego nie jest przewidziane, może spowodować niebezpieczne sytuacje.
- h) W niskich temperaturach, lub po dłuższym okresie nie użytkowania, zalecane jest włączenie elektronarzędzia bez obciążenia na okres kilku minut w celu właściwego rozprowadzenia smaru w mechanizmie napędu.
- i) Do czyszczenia elektronarzędzi stosować miękką, wilgotną (nie mokra) szmatkę i mydło. Nie stosować benzyny, rozpuszczalników i innych środków mogących uszkodzić urządzenie.
- j) Elektronarzędzie należy przechowywać/transportować po upewnieniu się, że wszystkie jego elementy ruchome są zablokowane i zabezpieczone przed odblokowaniem za

pomocą oryginalnych elementów do tego przeznaczonych.

- k) Elektronarzędzie należy przechowywać w miejscu suchym, zabezpieczone przed kurzem i wnikaniem wilgoci.
- l) Transportowanie elektronarzędzia powinno odbywać się w opakowaniu oryginalnym, zabezpieczającym przed uszkodzeniami mechanicznymi.



OSTRZEŻENIE! Ogólne ostrzeżenia dotyczące bezpieczeństwa użytkowania narzędzia.

Naprawa:

- a) Naprawy gwarancyjne i pogwarancyjne swoich elektronarzędzi wykonuje Serwis PROFIX, co gwarantuje najwyższą jakość usług napraw oraz stosowanie oryginalnych części zamiennych.
- b) Jeżeli przewód zasilający nieodłączalny ulegnie uszkodzeniu, to powinien on być wymieniony u wytwórcy lub w specjalistycznym zakładzie naprawczym albo przez wykwalifikowaną osobę w celu uniknięcia zagrożenia.



OSTRZEŻENIE!

Podczas pracy narzędziem elektrycznym zaleca się zawsze przestrzegać podstawowych zasad bezpieczeństwa pracy, w celu uniknięcia wybuchu pożaru, porażenia prądem elektrycznym lub obrażenia mechanicznego.



OSTRZEŻENIE! SZLIFIERKA STOŁOWA, ostrzeżenia dotyczące bezpieczeństwa.

Bezpieczeństwo osobiste:



Należy zawsze stosować okulary ochronne.

- a) Elektronarzędzie należy użytkować tylko z zamontowanymi osłonami przeciwiskrowymi. Wytwarzane iskry mogą stać się przyczyną uszkodzeń wzroku, a także spowodować pożar przedmiotów znajdujących się w pobliżu.
- b) Podczas pracy osłony przeciwiskrowe należy przechylić tak mocno, jak tylko to możliwe ku dołowi. Podczas obróbki metali dochodzi do iskrzenia.
- c) Podczas pracy elektronarzędzia nie wolno wkładać rąk pod obracającą się ściernicę. Może to stać się przyczyną poważnych obrażeń ciała.
- d) Należy używać tylko ściernic, zalecanych przez wytwórcę, oznakowanych wartością prędkości równą prędkości maszyny lub większą, zapisaną na tabliczce znamionowej osprzętu. Fakt, że osprzęt daje się zamontować do elektronarzędzia, nie jest gwarantem bezpiecznego użycia.
- e) W żadnym wypadku nie należy używać uszkodzonych lub odształconych ściernic. Przed każdym użyciem należy skontrolować ściernice pod kątem odprysków i pęknięć. W razie upadku elektronarzędzia lub ściernicy, należy sprawdzić, czy nie uległo ono uszkodzeniu, lub użyć innej, nieuszkodzonej ściernicy. Po sprawdzeniu i zamocowaniu ściernicy, należy uruchomić elektronarzędzie i pozostawić włączone przez minutę na najwyższych obrotach, zwracając przy tym uwagę, aby użytkownik i inne osoby postronne znajdowały się poza strefą zasięgu obracającej się ściernicy.
- f) Należy regularnie sprawdzać odstęp pomiędzy białem stołu. Nastawiać osłonę przeciwiskrową tak często, aby jej

położenie było dostosowane do zużycia ściernicy, z zachowaniem odległości między osłoną a ściernicą, nie większej niż 2 mm. W przypadku większego odstępu ochrona przed iskrami nie jest wystarczająca. Obrabiany przedmiot może zostać wciągnięty podczas ruchu rotacyjnego ściernicy i spowodować obrażenia.

- g) Należy nosić fartuch roboczy. Należy zwrócić uwagę, aby nie narazić nikogo na niebezpieczeństwo spowodowane iskrami powstającymi podczas obróbki. Należy usunąć wszystkie łatwopalne materiały, znajdujące się w pobliżu.
- h) Dopuszczalna prędkość obrotowa stosowanego narzędzia roboczego nie może być mniejsza niż podana na elektronarzędziu maksymalna prędkość obrotowa. Narzędzia robocze, obracające się z szybszą niż dopuszczalna prędkością, może się złamać, a jego części odprysnąć.



OSTRZEŻENIE! SZLIFIERKA STOŁOWA, ostrzeżenia dotyczące bezpieczeństwa.

Bezpieczeństwo elektryczne:

- a) Nie wolno używać elektronarzędzia z uszkodzonym przewodem. Nie należy dotykać uszkodzonego przewodu; w przypadku uszkodzenia przewodu podczas pracy, należy wyciągnąć wtyczkę z gniazda. Uszkodzone przewody podwyższają ryzyko porażenia prądem.
- b) Elektronarzędzie należy podłączyć do prawidłowo uzziemionego źródła prądu. Gniazdko sieciowe i przewód przedłużający muszą posiadać właściwie funkcjonujący przewód ochronny uziemiający układ sieciowego.
- c) Szlifierka wyposażona jest w przewód zasilający nieodłączalny. Jeżeli przewód zasilający nieodłączalny ulegnie uszkodzeniu, to powinien on być zastąpiony specjalnym przewodem lub zespołem dostępnym u wytwórcy lub w specjalistycznym zakładzie naprawczym.



OSTRZEŻENIE! SZLIFIERKA STOŁOWA, ogólne ostrzeżenia dotyczące bezpieczeństwa:

- a) Materiał przeznaczony do obróbki należy przyłożyć do włączonego elektronarzędzia. Elektronarzędzie można wyłączyć dopiero po podniesieniu obrabianego materiału. Obrabiany materiał może się gwałtownie poruszyć.
- b) Nie wolno przykładać obrabianego elementu do bocznej strony obracającej się ściernicy. Szlifować należy zawsze posuwając go do przodu. Obrabiany przedmiot może zostać wyrwany z ręki podczas ruchu rotacyjnego ściernicy i spowodować obrażenia.
- c) Szlifierkę należy starannie przymocować do stołu za pomocą śrub lub do stabilnego podłoża, tak aby uniemożliwić niekontrolowane przemieszczenie się urządzenia oraz zminimalizować drgania wywołane przez urządzenie.
- d) Narzędzia szlifierskie należy kontrolować przed każdym użyciem. Narzędzie szlifierskie musi być prawidłowo zamocowane i musi móc się swobodnie obracać. Przeprowadzić bieg próbny bez obciążenia i przy najwyższej prędkości obrotowej, trwający co najmniej jedną minutę. Nie używać uszkodzonych, zwichrowanych bądź wibrujących narzędzi szlifierskich. Uszkodzone narzędzia szlifierskie mogą się

złamać i spowodować poważne obrażenia.

- e) W żadnym przypadku urządzenie nie mogą obsługiwać dzieci.

PRZEZNACZENIE SZLIFIERKI:

Szlifierka stołowa jest przeznaczona do grubego i dokładnego szlifowania na sucho metalu, tworzywa sztucznego i innych materiałów, pod warunkiem użycia odpowiedniej tarczy ścierniej.

Urządzenie zostało zaprojektowane głównie do drobnych prac szlifierskich, takich jak: obróbka i ostrzenie noży, nożyczek, wiertła, dłut stolarskich i kamieniarskich, przecinaków itp.

Kategorycznie wyklucza się wykorzystanie urządzenia do wszelkich innych celów.

Każde użycie elektronarzędzia niezgodne z przeznaczeniem podanym wyżej jest zabronione i powoduje utratę gwarancji oraz brak odpowiedzialności producenta za powstałe w wyniku tego szkody.

Jakiegokolwiek modyfikacje urządzenia dokonane przez użytkownika zwalniają producenta z odpowiedzialności za uszkodzenia i szkody wyrządzone użytkownikowi i otoczeniu.

Poprawne użytkowanie elektronarzędzia dotyczy także konserwacji, składowania, transportu i napraw.

Elektronarzędzie może być naprawiane wyłącznie w punktach serwisowych wyznaczonych przez producenta. Urządzenia zasilane z sieci powinny być naprawiane tylko przez osoby uprawnione.

Pomimo zgodnego z przeznaczeniem stosowania nie można całkowicie wyeliminować określonych czynników ryzyka resztkowego. Ze względu na konstrukcję i budowę maszyny mogą wystąpić następujące niebezpieczeństwa:

- Dotknięcie ściernicy w nieosłoniętym obrębie ściernicy.
- Wyrzucenie przez siłę odśrodkową uszkodzonych części tarcz ściernych.
- Odrzucenie przedmiotu obrabianego lub części przedmiotu obrabianego.
- Uszkodzenia słuchu w wypadku niestosowania słuchawek ochronnych.
- Pęknięcie/złamanie ściernicy
- Szkodliwe dla zdrowia emisje pyłów w przypadku wykonywania prac na sucho w zamkniętych pomieszczeniach.

KOMPLETACJA:

- Szlifierka stołowa - 1 szt.
- Ściernica wielozłazniasta - 1 szt.
- Ściernica drobnozłazniasta - 1 szt.
- Osłony przeciwiskrowe z elementami mocującymi - 2 szt.
- Podpórki przedmiotu obrabianego z elementami mocującymi - 2 szt.
- Instrukcja obsługi - 1 szt.
- Karta gwarancyjna - 1 szt.

BUDOWA MASZYNY:

Szlifierka stołowa napędzana przez silnik jednofazowy i jest urządzeniem w pierwszej klasie sprzętu - gniazdo i przewód przedłużający muszą posiadać sprawny przewód uziemienia.

Budowa szlifierki przedstawiona jest na rys. A-C na str. 2:

- Rys.A:**
1. Włącznik
 2. Nakrętka motylkowa
 3. Podpórka przedmiotu obrabianego
 4. Ściernica

5. Osłona przeciwiwkrowa
6. Mocowanie osłony przeciwiwkrowej
7. Otwory do montażu podstawy

Rys.C: 8. Śruby mocujące

9. Osłona boczna
10. Nakrętka mocująca
11. Kołnierz dociskowy
12. Podkładka papierowa
13. Wrzecziono
14. Osłona ściernicy

DANE TECHNICZNE:

Napięcie nominalne	230 V
Częstotliwość nominalna	50 Hz
Moc pobierana	200 W
Max. prędkość obrotowa bez obciążenia	2950/min
Wymiary ściernicy (max. średnica x grubość x \varnothing otworu)	150 x 16 x 12,7 mm
Ziarnistość ściernicy 1/2	36/60
Prędkość obwodowa ściernicy bez obciążenia	23 m/s
Cykl pracy	52 30 min
Klasa sprzętu	I
Masa	8,5 kg
Poziom ciśnienia akustycznego (LpA)	62,6 dB(A), ± 3 dB(A)
Poziom mocy akustycznej (LpW)	75,6 dB(A), ± 3 dB(A)

52 30 min – praca dorywcza, nominalny czas pracy 30 min.

UWAGA! Po 30 min pracy ze stałym obciążeniem należy przerwać pracę do całkowitego wystudzenia szlifierki.

PZRYGOTOWANIE DO PRACY:

Po rozpakowaniu sprawdzić kompletność urządzenia i założyć je zamontowane elementy zgodnie z instrukcją.

UWAGA: Przed dokonaniem jakiegokolwiek montażu lub regulacji należy upewnić się że urządzenie jest odłączone od sieci zasilającej.

■ Ustawienie szlifierki

Aby zapewnić bezpieczeństwo eksploatacji, szlifierkę należy zawsze mocować na płaskiej i stabilnej powierzchni roboczej (np. stole warsztatowym).

Ustawić szlifierkę na stabilnym poziomym podłożu (stole) w miejscu umożliwiającym swobodną i bezpieczną pracę. Używając otworów do montażu podstawy (7) przykręcić ją sztywnie do stołu czterema odpowiednimi śrubami mocującymi. Długość śrub zależy od grubości stołu.

■ Montaż podpórek przedmiotu obrabianego

Podpórki przedmiotu obrabianego (3) należy zamontować zgodnie z rys. A1, str.2.

Odstęp pomiędzy ściernicą (4) i podpórką przedmiotu obrabianego (3) może wynosić co najwyżej 2 mm i musi być regularnie nastawiany do tej wartości (patrz: rys. B, str.2).

UWAGA: Ustawienie podpórki powinno odbywać się kiedy tarcza jest nieruchoma.

Jeśli ściernica jest tak mocno zużyta, że podpórkę przedmiotu obrabianego nie daje się nastawić do tej wartości, należy wymienić ściernicę.

■ Montaż osłon przeciwiwkrowych

Osłony przeciwiwkrowe (5) należy zamontować zgodnie z rys. A2, str.2. Odstęp pomiędzy ściernicą (4) i mocowaniem osłony przeciwiwkrowej (6) może wynosić co najwyżej 2 mm i musi być regularnie nastawiany do tej wartości (patrz: rys. B, str.2).

UWAGA: Ustawienie odstepu powinno odbywać się kiedy ściernica jest nieruchoma.

■ Wymiana ściernicy

UWAGA: Chronić ściernice przed upadkami, uderzeniami i smarami. Zabrania się używania urządzenia z uszkodzonymi ściernicami oraz niezgodnymi ze specyfikacją. Przed wymianą ściernicy należy zawsze sprawdzić jej stan i dokładnie obejrzeć.

Kontrola ściernicy odbywa się w próbie «na dźwięk». Ściernicę umieszczoną na drewnianym pręcie obracamy i jednocześnie opukujemy drewnianym młotkiem, dotyczy to obu stron ściernicy oraz różnych odległości od otworu:

- a) czysty metaliczny dźwięk: ściernica nie jest pęknięta – można używać.
- b) brzęczący i szybko milknący odgłos: ściernica jest pęknięta – nie wolno używać ponieważ stwarza niebezpieczeństwo dla użytkownika.

Dla wymiany ściernicy (4) należy za pomocą wkrętaka Ph2 i klucza płaskiego M8 odkręcić 3 śruby mocujące (8) i zdjąć osłonę boczną (9) (patrz: rys. C, str.2). Połuzować nakrętkę mocującą (10) za pomocą klucza płaskiego M19 (**UWAGA:** Lewa tarcza ścierna przymocowana jest za pomocą gwintu lewoskrętnego, prawa tarcza tnąca za pomocą prawoskrętnego) podtrzymując z przeciwnej strony nakrętkę mocującą kołnierz dociskowy. Następnie zdjąć kołnierz dociskowy (11), podkładkę papierową (12) i ściernicę z wrzecziona (13). Teraz można wymienić ściernicę. Montaż odbywa się w odwrotnej kolejności. Kołnierzy dociskowe muszą być zwrócone wklęsłą stroną do ściernicy.

UWAGA: Po wymianie ściernicy powinny pracować bez obciążenia co najmniej 1 minutę.

PRZED PRZYSTĄPIENIEM DO PRACY:

1. Upewnić się, że źródło zasilania ma parametry odpowiadające parametrom szlifierki podanym na tabliczce znamionowej.
2. Upewnić się że włącznik (1) szlifierki jest w pozycji wyłączenia.
3. W przypadku pracy z przedłużaczem należy upewnić się że parametry przedłużacza, przekroje przewodów, odpowiadają parametrom szlifierki. Zaleca się stosowanie jak najkrótszych przedłużaczy. Przedłużacz powinien być całkowicie rozwinięty.
4. Przed rozpoczęciem pracy należy sprawdzić mocowanie szlifierki i zwrócić uwagę na to, aby ściernice swobodnie się obracały.

PRACA:

■ Włączanie/ wyłączenie

W celu włączenia ustawić włącznik (1) w pozycji I.

W celu wyłączenia ustawić włącznik (1) w pozycji 0.

UWAGA: Po każdej wymianie i przed rozpoczęciem szlifowania tarcza ścierna powinna pracować bez obciążenia co najmniej 1 minutę.

■ Szlifowanie

Szlifowany element oprzeć na podpórcę przedmiotu obrabianego (3) i docisnąć lekko do ściernicy (4). W celu osiągnięcia optymalnego wyniku szlifierskiego poruszać obrabianym elementem tam i z powrotem. W ten sposób zapewnione zostaje również równomierne zużycie ściernicy. Należy mieć na uwadze, że w czasie czynności szlifowania przedmiot obrabiany ulega silnemu nagraniu. Z tego względu należy od czasu do czasu ochłodzić przedmiot obrabiany przez zanurzenie w zimnej wodzie.

W czasie procesu szlifowania ściernica traci swoje własności skrawne tzn. zapychają się jej pory od usuwanego materiału oraz traci kołowość. Do otwierania powierzchni roboczej oraz przywracania kołowości rekomendujemy obciążacze diamentowe lub innego typu.

OSTRZEŻENIE: Pyły niektórych materiałów, na przykład pyłków malarskich z zawartością ołowiu, niektórych gatunków drewna, minerałów lub niektórych rodzajów metalu, mogą stanowić zagrożenie dla zdrowia. Bezpośredni kontakt fizyczny z pyłami lub przedostanie się ich do płuc może wywołać reakcje alergiczne i/lub choroby układu oddechowego operatora lub osób znajdujących się w pobliżu. Niektóre rodzaje pyłów, np. dębiny lub buczyny uważane są za rakotwórcze, szczególnie w połączeniu z substancjami do obróbki drewna (chromiany, impregnaty do drewna). Materiały, zawierające azbest mogą być obrabiane jedynie przez odpowiednio przeszkolony personel.

– Należy zawsze dbać o dobrą wentylację stanowiska pracy.

– Zaleca się noszenie maski przeciwpyłowej.

Należy stosować się do aktualnie obowiązujących w danym kraju przepisów, regulujących zasady obchodzenia się z materiałami przeznaczonymi do obróbki.

PRZECHOWYWANIE I KONSERWACJA:

Maszyna w zasadzie nie wymaga specjalnych zabiegów konserwacyjnych. Maszynę należy przechowywać w miejscu, niedostępnym dla dzieci, utrzymywać w stanie czystości, chronić przed wilgocią i zapyleniem. Warunki przechowywania powinny wykluczać możliwość uszkodzeń mechanicznych oraz wpływ szkodliwych warunków atmosferycznych.

Niniejsze urządzenie jest zgodne z normami krajowymi i europejskimi, oraz z wytycznymi bezpieczeństwa. Wszelkie naprawy muszą być przeprowadzane przez wykwalifikowany personel, używając oryginalnych części zamiennych.

■ Czyszczenie

UWAGA: Przed rozpoczęciem jakichkolwiek prac związanych z czyszczeniem wyciągnąć wtyczkę z gniazdka.

Aby zapewnić bezpieczną i wydajną pracę, zaleca się czyszczenie

urządzenia bezpośrednio po każdorazowym użyciu.

Zaleca się przedmuchanie maszyny sprężonym powietrzem.

Obudowę szlifierki wycierać czystą wilgotną ściereczką, z niewielką ilością mydła. Nie używać żadnych środków czyszczących ani rozpuszczalników, mogą one uszkodzić części urządzenia wykonane z tworzywa sztucznego. Należy uważać, aby do wnętrza urządzenia nie dostała się woda.

OCRONA ŚRODOWISKA:



UWAGA: Przedstawiony symbol oznacza zakaz umieszczenia zużytego sprzętu łącznie z innymi odpadami (z zagrożeniem karą grzywny). Składniki niebezpieczne znajdujące się w sprzęcie elektrycznym i elektronicznym wpływają negatywnie na środowisko naturalne i zdrowie ludzi.

Gospodarstwo domowe powinno przyczyniać się do odzysku i ponownego użycia (recyklingu) zużytego sprzętu. W Polsce i w Europie tworzony jest lub już istnieje system zbierania zużytego sprzętu, w ramach którego wszystkie punkty sprzedaży ww. sprzętu mają obowiązek przyjmować zużyty sprzęt. Ponadto istnieją punkty zbiórki ww. sprzętu.

PRODUCENT:

PROFIX Sp. z o.o.,
ul. Marywińska 34,
03-228 Warszawa

PIKTOGRAMY:

Objaśnienia ikon, które mogą znajdować się na tabliczce znamionowej i naklejkach informacyjnych:



– «Przed uruchomieniem przeczytać instrukcję obsługi»



– «Zawsze stosować okulary ochronne»



– «Stosować maskę przeciwpyłową»



– «Stosować środki ochrony słuchu»



Polityka firmy PROFIX jest polityką stałego udoskonalania swoich produktów i dlatego firma rezerwuje sobie prawo zmiany specyfikacji wyrobu bez uprzedniego zawiadomienia. Obrazki, podane w instrukcji obsługi, są przykładowe i mogą się nieznacznie różnić od rzeczywistego wyglądu zakupionego urządzenia.

Niniejsza instrukcja jest chroniona prawem autorskim. Kopiowanie/ powielanie jej bez pisemnej zgody firmy PROFIX Sp. z o.o. jest zabronione.



ПЕРЕД НАЧАЛОМ ЭКСПЛУАТАЦИИ НЕОБХОДИМО ОЗНАКОМИТЬСЯ С НАСТОЯЩЕЙ ИНСТРУКЦИЕЙ.

Хранить инструкцию для возможного применения в будущем.



ПРЕДУПРЕЖДЕНИЕ! Необходимо ознакомиться со всеми предупреждениями, касающимися безопасности при эксплуатации, обозначенными символами ⚠ и всеми указаниями по технике безопасности.

Необлюдение указанных ниже предупреждений, касающихся безопасности и указаний по технике безопасности может привести к поражению электрическим током, пожару и/или серьёзным травмам тела.

Необходимо хранить все предупреждения и указания, касающиеся техники безопасности, чтобы можно было воспользоваться ними в будущем.

В указанных ниже предупреждениях слово „электроинструмент“ означает электроинструмент с питанием от сети (средством электрического кабеля) или электроинструмент, питаемый от аккумулятора (беспроводное питание).



ПРЕДУПРЕЖДЕНИЕ! Общие предупреждения, касающиеся безопасности при эксплуатации инструмента.

Техника безопасности на рабочем месте:

- Необходимо поддерживать порядок и хорошее освещение на рабочем месте. Беспорядок и плохое освещение являются причиной несчастных случаев.
- На следует использовать электроинструмент во взрывоопасной среде, образующейся легко воспламеняющимися жидкостями, газами или пылью. Электроинструмент создаёт искры, которые могут привести к воспламенению пыли или испарений.
- Не допускать детей и наблюдателей в места, в которых применяются электроинструменты. Отвлечение внимания может привести к потере контроля над электроинструментом.



ПРЕДУПРЕЖДЕНИЕ! Общие предупреждения, касающиеся безопасности при эксплуатации инструмента.

Электробезопасность:

- Штепсельные вилки должны соответствовать сетевым розеткам. Ни в коем случае не переделывать каким-либо образом штепсельную вилку. Не применять каких-либо удлинителей электропитания в случае использования электроинструментов, имеющих провод электропитания с защитным заземляющим проводником. Отсутствие переделок штепсельных розеток и сетевых розеток снижает опасность поражения электрическим током.
- Необходимо избегать прикосновения к поверхности заземлённых или закороченных на массу элементов, таких как трубы, нагреватели, радиаторы центрального

отопления и холодильные агрегаты. В случае прикосновения заземлённого или закороченного на массу элемента увеличивается опасность поражения электрическим током.

- Не подвергать электроинструменты воздействию дождя или влажных условий. В случае попадания в электроинструмент воды увеличивается опасность поражения электрическим током.
- Не создавать опасности повреждения кабеля электропитания. Ни в коем случае не использовать кабель электропитания, чтобы переносить или тянуть электроинструмент или для извлечения штепсельной вилки из розетки. Кабель электропитания должен находиться вдали от источников тепла, масел, острых краёв и движущихся частей. Повреждённые или запутанные кабели электропитания увеличивают опасность поражения электрическим током.
- Если электроинструмент эксплуатируется на свежем воздухе, следует использовать удлинители кабеля электропитания, предназначенные для работы вне помещений. Использование удлинителя кабеля электропитания, предназначенного для работы вне помещений, снижает опасность поражения электрическим током.
- Рекомендуется подключение устройства к электрической сети, снабжённой выключателем остаточного тока (RCD) с током выключения 30 мА или менее.
- Если эксплуатация электроинструмента во влажной среде неизбежна, в качестве защиты от напряжения питания необходимо использовать защитное устройство по разностному току (RCD). Применение защитного устройства по разностному току снижает опасность поражения электрическим током.



ПРЕДУПРЕЖДЕНИЕ! Общие предупреждения, касающиеся безопасности при эксплуатации инструмента.

Индивидуальная безопасность:

- Настоящее оборудование не предназначено для эксплуатации лицами (включая детей) с физическими, сенсорными или умственными ограничениями или лицами, не имеющими опыта или не знающими оборудования, разве что это осуществляется под надзором или в соответствии с инструкцией по эксплуатации оборудования, переданной лицами, отвечающими за их безопасность.
- Необходимо быть предусмотрительным, наблюдать за работой и руководствоваться здравым смыслом во время эксплуатации электроинструмента. Не следует эксплуатировать электроинструмент в состоянии переутомления или находясь под действием наркотиков, алкоголя или лекарств. Мгновенное невнимания во время эксплуатации электроинструмента может быть причиной травмы пользователя.
- Необходимо применять средства личной защиты.

Необходимо обязательно работать с защитными очками. Применение в соответствующих условиях средств личной защиты, таких как противопыльный респиратор, противоскользкая обувь, каска или средства защиты слуха снизит риск получения травмы.

- г) **Необходимо избегать случайного запуска в работу.** Прежде чем вставить вилку кабеля электропитания в сетевую розетку или подключить аккумулятор, а также перед тем, как поднять или перенести электроинструмент, необходимо убедиться, что выключатель электроинструмента находится в положении «выключено». Перенос электроинструмента с пальцем на выключателе или подключение электроинструмента к сети питания при включенном выключателе может привести к несчастному случаю.
- д) **Прежде, чем запустить электроинструмент в работу, необходимо устранить все ключи.** Ключ, оставшийся во вращающейся части электроинструмента, может привести к травме пользователя.
- е) **Не следует слишком сильно наклоняться.** Необходимо всё время сохранять устойчивость и равновесие. Это позволяет лучше контролировать электроинструмент в неожиданных ситуациях.
- ж) **Необходимо иметь соответствующую одежду.** Не работать в свободной одежде или с бижутерией. Необходимо, чтобы волосы пользователя, его одежда и рукавицы находились вдали от движущихся элементов. Свободная одежда, бижутерия или длинные волосы могут быть зацеплены движущимися частями.
- з) **Если оборудование приспособлено для присоединения внешнего пылеотвода (пылеулавливающего устройства) и поглотителя пыли, необходимо убедиться, что они присоединены и правильно применяются.** Применение поглотителей пыли может уменьшить опасность, связанную с пыленосностью.



ПРЕДУПРЕЖДЕНИЕ! Общие предупреждения, касающиеся безопасности при эксплуатации инструмента.

Эксплуатация и уход за электроинструментом:

- а) **Не допускать перегрузки электроинструмента.** Применять электроинструмент с мощностью, соответствующей выполняемой работе. *Надлежащий электроинструмент позволит лучше и безопаснее работать при нагрузке, на которую он рассчитан.*
- б) **Не следует применять электроинструмент, если его выключатель не включается и не выключается.** *Каждый электроинструмент, который не может включаться или выключаться выключателем, представляет опасность и должен быть передан на ремонт.*
- в) **Необходимо отсоединить штепсельную вилку от источника питания электроинструмента и/или отсоединить аккумулятор прежде чем выполнить какую-либо установку, замену части или складирование устройства.** *Такие предупредительные меры безопасности снижают риск случайного запуска электроинструмента в*

работу.

- г) **Неиспользуемый электроинструмент следует хранить в недоступном для детей месте и не разрешать тем, кто незнаком с электроинструментом или настоящей инструкцией, пользоваться электроинструментом.** *Электроинструмент опасен в руках необученных пользователей.*
- д) **Следует выполнять технический уход за электроинструментом.** Необходимо проверить соосность или отсутствие заедания (защемления) подвижных элементов, трещин частей, а также все другие факторы, могущие влиять на работу электроинструмента. В случае обнаружения неисправности, необходимо выполнить ремонт электроинструмента. *Причиной многих несчастных случаев является непрофессиональный способ выполнения технического ухода.*
- е) **Режущий инструмент должен быть острым и чистым.** *Соответствующее содержание и уход за острыми кройками режущего инструмента снижает вероятность заземления и упрощает обслуживание.*
- ж) **Электроинструмент, оснащение, рабочие инструменты и т. п. необходимо применять в соответствии с настоящей инструкцией, учитывая рабочие условия и вид выполняемой работы.** *Применение электроинструмента не по назначению может привести к опасным ситуациям.*
- з) **При низкой температуре или после длительного перерыва в эксплуатации рекомендуется включение электроинструмента без нагрузки на несколько минут с целью распределения смазки в механизме привода.**
- и) **Для чистки электроинструмента применять мягкую, влажную (не мокрую) тряпку и мыло.** Не применять бензина, растворителей и других средств, могущих повредить устройство.
- й) **Электроинструмент следует хранить/транспортировать, убедившись, что все его подвижные элементы заблокированы и защищены от разблокировки при помощи оригинальных элементов, предназначенных для этой цели.**
- к) **Электроинструмент должен храниться в сухом месте и быть защищенным от пыли и проникания влаги.**
- л) **Транспортировку электроинструмента необходимо выполнять в оригинальной упаковке, защищающей от механических повреждений.**



ПРЕДУПРЕЖДЕНИЕ! Общие предупреждения, касающиеся безопасности при эксплуатации инструмента.

Ремонт:

- а) **Гарантийный и послегарантийный ремонт своих электроинструментов выполняет сервисная служба компании PROFIX, что гарантирует высочайшее качество ремонта и использование оригинальных запчастей.**
- б) **Если неотсоединяемый кабель электропитания поврежден, он должен быть заменен на предприятии-**

изготовителе или специализированном ремонтном предприятии, либо квалифицированным лицом, что позволит избежать опасности.



ПРЕДУПРЕЖДЕНИЕ!

Во время работы с электроинструментом следует обязательно соблюдать основные меры безопасности при работе, чтобы избежать взрыва, пожара, поражения электрическим током, или механической травмы.



ПРЕДУПРЕЖДЕНИЕ! НАСТОЛЬНАЯ ШЛИФОВАЛЬНАЯ МАШИНА, предупреждения по технике безопасности



Индивидуальная безопасность:

Необходимо обязательно работать с защитными очками.

- a) Электроинструмент необходимо эксплуатировать только с установленными противоисковыми щитками. *Возникающие искры могут привести к повреждению зрения, а также быть причиной пожара в случае загорания находящихся вблизи предметов.*
- b) Во время работы противоисковые щитки необходимо наклонить по возможности максимально вниз. *В процессе обработки металла образуются искры.*
- b) Во время работы электроинструмента запрещено вкладывать руки под вращающиеся абразивные круги. *Это может привести к серьёзным травмам тела.*
- г) Необходимо применять только рекомендуемые производителем абразивные круги, у которых указанная на маркировке скорость вращения должна быть не меньше скорости вращения машины. *Тот факт, что рабочий инструмент возможно установить на электроинструменте, не гарантирует его безопасной эксплуатации.*
- д) Ни в коем случае не использовать повреждённые или деформированные абразивные круги. *Перед каждым применением необходимо проверить абразивный круг на отсутствие сколов и трещин. В случае падения электроинструмента или абразивного круга, необходимо проверить, не повредился ли он, или применить другой, неповреждённый абразивный круг. После проверки и закрепления абразивного круга, запустить электроинструмент в работу и позволить работать с максимальной частотой вращения 1 минуту. Необходимо при этом следить, чтобы пользователь и другие посторонние лица находились вне зоны воздействия вращающихся абразивных кругов.*
- e) Необходимо регулярно проверять расстояние до подставки для обрабатываемого предмета. **Необходимо регулировать противоисковой щиток так часто, чтобы его положение соответствовало износу абразивного круга и расстояние между противоисковым щитком и абразивным кругом не превышало 2 мм.** *В случае большего расстояния, защита от искр будет недостаточной. Обрабатываемый предмет может быть втянут во время вращения абразивного круга и это может привести к травмам.*
- ж) Следует работать в рабочем халате. Необходимо

обратить внимание, чтобы не подвергать никого опасности, связанной с искрами, возникающими в процессе обработки. Необходимо устранить все находящиеся вблизи легковоспламеняющиеся материалы.

- з) Допустимая частота вращения применяемого рабочего инструмента не может быть меньше указанной на электроинструменте максимальной частоты вращения. *Рабочий инструмент, вращающийся со скоростью большей, чем его допустимая скорость вращения, может повредиться, а его части могут разлететься.*



ПРЕДУПРЕЖДЕНИЕ! НАСТОЛЬНАЯ ШЛИФОВАЛЬНАЯ МАШИНА, предупреждения по технике безопасности.

Электробезопасность:

- a) Запрещено эксплуатировать электроинструмент с повреждённым кабелем электропитания. **Не прикасаться к повреждённому кабелю электропитания.** *В случае повреждения кабеля электропитания в процессе работы, извлечь штепсельную вилку из розетки. Повреждённые провода увеличивают опасность поражения электрическим током.*
- b) Электроинструмент необходимо подключить к правильно заземлённому источнику электропитания. *Сетевая розетка и удлинитель кабеля электропитания должны иметь надлежащим образом функционирующий защитный заземляющий провод.*
- b) Шлифовальная машина имеет неотсоединяемый кабель электропитания. *Если неотсоединяемый кабель электропитания будет повреждён, необходимо заменить его специальным кабелем или блоком на предприятии-изготовителе или специализированном ремонтном предприятии.*



ПРЕДУПРЕЖДЕНИЕ! НАСТОЛЬНАЯ ШЛИФОВАЛЬНАЯ МАШИНА, общие предупреждения по технике безопасности:

- a) Обрабатываемый предмет следует приложить к работающему электроинструменту. **Электроинструмент можно выключить только после снятия обрабатываемого предмета.** *Обрабатываемый предмет может внезапно переместиться.*
- b) Запрещено прикладывать обрабатываемый предмет к боковой стороне вращающегося абразивного круга. **При шлифовке необходимо перемещать его только по торцу круга.** *Обрабатываемый предмет может быть втянут во время вращательного движения абразивного круга и это может привести к травмам.*
- b) Шлифовальную машину необходимо тщательно прикрепить при помощи винтов к столу или к стабильному основанию, таким образом, чтобы было невозможно неконтролируемое перемещение устройства и создаваемые машиной вибрации были сведены к минимуму.
- г) Абразивные инструменты необходимо проверять перед

каждым применением. Абразивный инструмент должен быть надлежащим образом закреплён и свободно вращаться. Следует выполнить пробную работу без нагрузки с максимальной частотой вращения в течение не менее одной минуты. Не применять повреждённых, выщербленных или вибрирующих абразивных инструментов. Повреждённые абразивные инструменты могут сломаться и привести к серьезным травмам.

д) Категорически запрещено обслуживание машины детьми.

НАЗНАЧЕНИЕ ШЛИФОВАЛЬНОЙ МАШИНЫ:

Настольная шлифовальная машина предназначена для грубой и тонкой сухой шлифовки металла, пластмассы и других материалов, при условии применения соответствующего абразивного круга.

Машина разработана для выполнения преимущественно мелких шлифовальных работ, таких как обработка и заточка лезвий ножей, ножниц, свёрл, столярных долот (стамесок) и долот каменщика, зубил и т.п.

Категорически запрещается применение машины для других целей.

Каждое применение электроинструмента, несоответствующее указанному выше назначению, запрещено и ведёт к потере гарантии и отсутствию ответственности производителя за возникший в результате этого ущерб.

Какие-либо модификации электроинструмента, осуществлённые пользователем, освобождают производителя от ответственности за повреждения и ущерб, причинённый пользователю и окружающей среде.

Правильная эксплуатация электроинструмента относится также к техобслуживанию, хранению, транспортировке и ремонту.

Ремонт электроинструмента может выполняться только в определённых производителем сервисных пунктах. Устройства с питанием от сети должны ремонтироваться исключительно лицами, имеющими соответствующий допуск.

Даже применяя устройство по назначению, нельзя полностью исключить определённых факторов остаточного риска. С учётом конструкции машины могут иметь место следующие опасности:

- Прикосновение к абразивному кругу в незащищённой области круга.
- Выброс под действием центробежной силы повреждённых частей абразивного круга.
- Отбрасывание обрабатываемого предмета или его части.
- Ухудшение слуха в результате неприменения защитных наушников.
- Трескание/поломка абразивного круга
- Вредное для здоровья воздействие пыли в случае выполнения работ в закрытом помещении.

СОСТАВ КОМПЛЕКТА:

- Настольная шлифовальная машина - 1 шт.
- Абразивный круг крупнозернистый - 1 шт.
- Абразивный круг мелкозернистый - 1 шт.
- Противоискровые щитки элементами крепления-2 шт.
- Направляющие подставки для обрабатываемого предмета с

элементами крепления - 2 шт.

- Инструкция по эксплуатации - 1 шт.
- Гарантийная карта - 1 шт.

КОНСТРУКЦИЯ МАШИНЫ:

Настольная шлифовальная машина приводится в движение однофазным электродвигателем и имеет первый класс электрической защиты - сетевая розетка и удлинитель кабеля электропитания должны иметь исправный заземляющий проводник.

Конструкция шлифовальной машины представлена на рис. А-С, стр.2:

- Рис. А:**
1. Включатель
 2. Винт с пластмассовой ручкой
 3. Подставка для обрабатываемого предмета
 4. Абразивный круг
 5. Противоискровый щиток
 6. Крепление противоискрового щитка
 7. Отверстия для крепления основания машины

- Рис. С:**
8. Винты крепящие
 9. Боковой защитный элемент
 10. Гайка крепящая
 11. Прижимный фланец
 12. Подкладка картонная
 13. Шпиндель
 14. Защитный кожух абразивного круга

ТЕХНИЧЕСКИЕ ДАННЫЕ:

Номинальное напряжение	230 В
Частота номинальная	50 Гц
Потребляемая мощность	200 Вт
Макс. частота вращения без нагрузки	2950 об/мин
Размеры абразивных кругов (макс. диаметр х толщина х диаметр отверстия)	150 х 16 х 12,7мм
Зернистость абразивного круга 1/2	36/60
Окружная скорость вращения без нагрузки	23 м/с
Цикл работы	52 30 мин
Класс электрической защиты	I
Вес	8,5 кг
Уровень звукового давления (LpA)	62,6 дБ(A), ±3дБ(A)
Уровень звуковой мощности (LpW)	75,6 дБ(A), ±3дБ(A)

52 30 мин. – кратковременный режим работы, номинальное время работы 30 мин.

ВНИМАНИЕ! После 30 мин. работы с постоянной нагрузкой необходимо прекратить работу и дождаться полного охлаждения шлифовальной машины.

ПОДГОТОВКА К РАБОТЕ:

После распаковки проверить комплектность устройства и присоединить не установленные элементы в соответствии с инструкцией.

ВНИМАНИЕ: Прежде чем приступить к какому-либо монтажу или регулировке, необходимо убедиться, что машина отключена от сети питания.

■ Установка шлифовальной машины

Чтобы обеспечить безопасную эксплуатацию, шлифовальную машину необходимо обязательно крепить на плоской и стабильной рабочей поверхности (напр. на верстаке).

Установить шлифовальную машину на стабильном горизонтальном основании (верстаке) в месте, позволяющем на свободную и безопасную работу. Используя отверстия для крепления основания (7), привинтить его неподвижно к верстаку четырьмя соответствующими крепящими винтами. Длина крепящих винтов зависит от толщины столешницы.

■ Установка подставок для обрабатываемого предмета

Подставки для обрабатываемого предмета (3) необходимо установить в соответствии с рис. А1, стр. 2.

Расстояние между абразивным кругом (4) и подставкой для обрабатываемого предмета (3) может составлять не более 2 мм и должно регулярно устанавливаться на эту величину (смотри рис. В, стр. 2).

ВНИМАНИЕ: Регулировка подставки должна производиться при неподвижном абразивном круге.

Если абразивный круг так сильно изношен, что подставку для обрабатываемого предмета не удаётся установить на указанное расстояние, абразивный круг необходимо заменить.

■ Установка противоскоровых щитков

Противоскоровые щитки (5) необходимо установить в соответствии с рис. А2, стр. 2.

Расстояние между абразивным кругом (4) и креплением противоскорового щитка (5) может составлять не более 2 мм и должно регулярно устанавливаться на эту величину. (смотри рис. В, стр. 2).

ВНИМАНИЕ: Установка расстояния должна производиться при неподвижном абразивном круге.

■ Смена абразивных кругов

ВНИМАНИЕ: Абразивные круги необходимо защищать от падения, ударов и попадания смазки. Запрещено применять машину с повреждёнными или несоответствующими спецификацию абразивными кругами. Перед сменой абразивного круга необходимо обязательно проверить состояние и внимательно осмотреть новый круг.

Проверка абразивного круга производится методом «по звуку». Вращаем, установленный на деревянном пруте абразивный круг и одновременно обстукиваем его деревянным молотком. Следует делать это с обеих сторон абразивного круга и на разном расстоянии от отверстия:

- а) чистый металлический звук: абразивный круг не имеет трещин – годен к эксплуатации;
- б) дребезжащий и быстро стихающий звук: абразивный круг имеет трещины – запрещено применять, так как представляет опасность для пользователя.

Для смены абразивного круга (4) при помощи отвёртки Ph2 и рожкового гаечного ключа М8 отвинтить 3 крепящих винта (8) и снять боковой защитный элемент (9) (смотри рис. С, стр. 2). Ослабить крепящую гайку (10) при помощи рожкового ключа М19 (**ВНИМАНИЕ:** Левый абразивный круг прикреплён при помощи гайки с левой резьбой, правый круг при помощи гайки с правой

резьбой), поддерживая с противоположной стороны гайку крепления прижимного фланца. Затем снять прижимной фланец (11), картонную подкладку (12) и абразивный круг со шпинделя (13). Теперь можно сменить абразивный круг. Сборку производить в обратной последовательности. Внутренняя сторона прижимных фланцев должна быть обращена к абразивному кругу.

ВНИМАНИЕ: Абразивные круги после их замены должны поработать без нагрузки не менее 1 мин.

ПРЕЖДЕ ЧЕМ ПРИСТУПИТЬ К РАБОТЕ:

1. Убедитесь, что параметры источника питания соответствуют параметрам шлифовальной машины, указанным на щитке.
2. Убедитесь, что выключатель (1) шлифовальной машины находится в положении «выключено».
3. При работе с удлинителем шнура электропитания необходимо убедиться, что параметры удлинителя, сечения проводов соответствуют параметрам шлифовальной машины. Рекомендуется применять максимально короткие удлинители шнура электропитания. Удлинитель должен быть полностью размотан.
4. Прежде чем приступить к работе, необходимо проверить крепление шлифовальной машины и обратить внимание на то, чтобы абразивные круги вращались свободно.

РАБОТА:

■ Включение/выключение

Для включения установить выключатель (1) в положение I.

Для выключения установить выключатель (1) в положение 0.

ВНИМАНИЕ: После каждой замены и перед началом шлифовки абразивный круг должен поработать без нагрузки не менее 1 мин.

■ Шлифовка

Шлифованный предмет опереть на направляющей подставке обрабатываемого предмета (3) и слегка прижать к абразивному кругу (4). Чтобы получить оптимальный результат шлифовки, необходимо перемещать обрабатываемый предмет туда и обратно. Таким образом, будет обеспечен также равномерный износ абразивного круга. Следует учитывать, что во время шлифовки обрабатываемый предмет сильно нагревается. Поэтому необходимо время от времени охладить обрабатываемый предмет в холодной воде.

В процессе шлифовки абразивный круг теряет свои режущие свойства, т.е. происходит забивание пор удаляемым материалом и теряет первоначальную (круговую) геометрическую форму. Для очистки (вскрытия) рабочей поверхности и восстановления первоначальной (круговой) геометрической формы рекомендуется использовать алмазные карандаши или аналогичные устройства другого типа.

ПРЕДУПРЕЖДЕНИЕ: Пыль некоторых материалов, напр. лакокрасочных покрытий, содержащих свинец, некоторых сортов древесины, минералов или некоторых металлов может представлять опасность для здоровья. Непосредственный физический контакт с пылью или попадание её в лёгкие может привести к аллергической реакции и/или заболеваниям дыхательных путей оператора шлифовальной машины или находящихся вблизи лиц. Некоторые виды пыли, напр. дубовой или

буковой, считаются канцерогенными, особенно вместе с веществами для обработки древесины (хроматами, средствами для пропитки древесины). Материалы, содержащие асбест, могут обрабатываться только соответственно обученным персоналом.

- Необходимо позаботиться о хорошей вентиляции рабочего места.
 - Рекомендуется использование противопыльного респиратора.
- Необходимо соблюдать действующие в данной стране предписания, регулирующие правила действия с материалами, используемыми для обработки.

ХРАНЕНИЕ И ТЕХНИЧЕСКИЙ УХОД:

Машина в принципе не требует специальных процедур по техническому уходу. Машину следует хранить в месте, недоступном для детей, содержащее в чистоте, защищать от влаги и пыли. Условия хранения должны исключать возможность механических повреждений и влияния вредных атмосферных условий.

Настоящее устройство соответствует польским и европейским стандартам, а также указаниям по технике безопасности. Все работы по ремонту должны выполняться квалифицированным персоналом, с использованием оригинальных запасных частей.

■ Очистка

ВНИМАНИЕ: Прежде чем приступить к каким-либо работам, связанным с чисткой, следует извлечь штепсельную вилку из сетевой розетки.

Для обеспечения безопасной и эффективной работы рекомендуется выполнять чистку устройства непосредственно после каждого его применения.

Рекомендуется выполнить продувку машины сжатым воздухом.

Корпус шлифовальной машины протирать влажной тряпкой, с небольшим количеством мыла. Не применять каких-либо чистящих средств или растворителей. Они могут повредить пластмассовые элементы машины. Необходимо следить, чтобы вовнутрь машины не попала вода.

ЗАЩИТА ОКРУЖАЮЩЕЙ СРЕДЫ:



ВНИМАНИЕ: Представленный символ означает, что запрещено размещать использованное оборудование вместе с другими отходами (за это грозит наказание в виде штрафа). Опасные компоненты, имеющиеся в

электрическом и электронном оборудовании отрицательно влияют на окружающую среду и здоровье человека.

Домашнее хозяйство должно способствовать восстановлению и повторному использованию (рециклированию) использованного оборудования. В Польше и в Европе создаётся или уже существует система сбора использованного оборудования, в рамках которой все пункты продажи в/у оборудования обязаны принимать использованное оборудование. Кроме того, имеются пункты приёма в/у оборудования.

ПРОИЗВОДИТЕЛЬ:

ООО «ПРОФИКС», ул. Марывильска 34, 03-228 Варшава, ПОЛЬША

ПИКТОГРАММЫ:

Описание знаков, которые могут находиться на щитке и информационных наклейках электроинструмента:



«Перед подключением и началом работы — необходимо прочитать инструкцию по эксплуатации»



«Использовать средства защиты глаз»



«Использовать средства защиты верхних дыхательных путей»



«Использовать средства защиты органов слуха»



Политика компании PROFIX - это политика постоянного совершенствования своих изделий, и поэтому компания сохраняет за собой право изменения спецификации изделия без предварительного уведомления. Изображения, имеющиеся в инструкции, являются примерными и могут незначительно отличаться от фактического вида приобретённого электроинструмента.

Настоящая инструкция по эксплуатации защищена авторскими правами. Запрещено её копирование и размножение без согласия ООО «ПРОФИКС».



ÎNAINTE DE UTILIZARE, CITIȚI ACESTE INSTRUCȚIUNI.

Păstrează instrucțiunile pentru a folosi viitoare.

ATENȚIE! Citește toate avertismentele referitoare la protecția muncii marcate cu simboluri ⚠ și toate indicațiile referitoare la utilizarea în siguranță.



Nerespectarea avertismentelor de mai jos, poate duce la accidente și la electrocutare, incendiu și/sau la vătămări corporale.

Păstrează toate avertismentele și indicațiile referitoare la protecția muncii, pentru a le folosi în viitor.

În avertismentele de mai jos, termenul "unealtă electrică" înseamnă unealtă care este alimentată de la rețea (cu cablu de alimentare) sau unealtă electrică alimentată din baterie (fără cablu).



ATENȚIE! Reguli generale de protecție a muncii.

Și siguranța la locul de muncă:

- La locul de muncă păstrează curățenie și bună iluminare. Zonele și bancurile de lucru aglomerate cheamă accidente.
- Nu utilizezi unealta electrică în atmosferi explozive, formate din lichide inflamabile, gaze sau lichide. Unelata electrică produce scântei, care pot aprinde praful sau aburii.
- Țineți copiii departe de lucrurile în care unealta electrică este folosită. Distragerea atenției poate duce la pierderea atenției asupra unelei electrice.



ATENȚIE! Reguli generale cu privire la utilizarea în siguranță a unelei.

Și siguranța electrică:

- Ștecherul unelei electrice trebuie să fie conforme cu priza. Este interzisă modificarea ștecherului. Este interzisă utilizarea prelungitoarelor în cazul uneltelor electrice cu cablu de legare la pământ de protecție. Nemodificarea ștecherelor și a prizelor măsoară riscul de electrocutare.
- Evitați să atingeți suprafața de împământare sau conectările la masă, cum ar fi conducte, radiatoare, radiatoare de încălzire centrală și frigidere. În cazul atingerii părților împământate, crește riscul de electrocutare.
- Nu expuneți sculele electrice în condiții de ploaie sau mediu umed. În caz de infiltrație cu apă, crește riscul de electrocutare.
- Nu abuzați de cablurile de conectare. Nu folosiți cablul de alimentare la mutarea, tragerea unelei sau tragerea ștecherului din priză. Păstrați cablul de alimentare departe de surse de căldură, ulei, mυχii ascuțite sau părți în mișcare. Cablurile deteriorate sau încurcate cresc riscul de electrocutare.
- În cazul în care unealta electrică este folosită în aer liber, conectarea trebuie efectuată cu ajutorul prelungitorului destinat funcționării în aer liber, măsoară riscul de electrocutare.
- Vă recomandăm să racordați aparatul la o rețea electrică dotată cu un comutator cu curent diferențial (RCD) cu amperaj de acționare de 30mA sau mai mic.
- În cazul în care unealta electrică este folosită în mediu umed, este inevitabilă, utilizarea unui dispozitiv de protecție împotriva tensiunii de alimentare, cum ar fi aplicarea unui

dispozitiv de curent rezidual (RCD). Folosirea RCD măsoară riscul de electrocutare.



ATENȚIE! Avertismente generale cu privire la siguranța folosirii unelei.

Și siguranță personală:

- Acest echipament nu este destinat utilizării de către persoane (inclusiv copii) cu abilități fizice reduse, senzoriale sau mentale, sau de persoane care nu au experiență sau nu cunosc echipamentul, cu excepția cazului în care are loc sub supraveghere sau în conformitate cu instrucțiunile de folosire a echipamentului, de către o persoană responsabilă pentru siguranța lor.
- Trebuie să fii atent, să avari grijă ce faci și să păstrați bun simț în timpul folosirii unelei electrice. Nu folosiți unealta electrică, când sunteți oboșiți sau sub influența drogurilor, alcoolului sau a medicamentelor. Un moment de neatenție în timpul lucrului cu unelata electrică poate cauza vătămări personale grave.
- Folosiți echipament de protecție. Purtați întotdeauna ochelari de protecție. Folosind echipamentul de protecție cum ar fi masca de praf, pantofi cu anti-alunecare, căști sau protecție auditivă, măsoară riscul de vătămare.
- Evitați pornirea accidentală. Înainte de conectarea la sursa de alimentare și/sau înainte de conectarea bateriei și înainte de ridicarea sau mutarea unelei asigurativă că comutatorul unelei electrice este în poziția oprită. Mutarea unelei electrice cu degetul pe comutator sau conectarea unelei electrice la rețeaua de alimentare în poziția pornită poate provoca un accident.
- Înainte de pornirea unelei electrice îndepărtați toate uneltele din apropiere. Lăsarea de unelte pe părțile de mișcare ale unelei electrice poate duce la vătămări corporale.
- Nu vă aplecați prea mult. Trebuie să stați sigur și să mențineți echilibrul. Acest lucru va permite un control mai bun asupra unelei electrice în situații neașteptate.
- Îmbrăcați-vă corespunzător. Nu purtați haine largi sau bijuterii. Țineți părul strâns, hainele și mânușile departe de părțile în mișcare. Hainele largi, bijuteria sau părul lung se pot agăța de părțile în mișcare.
- Dacă echipamentul este potrivit pentru conectarea extractorului de praf extern și a colectorului de praf, asigurați-vă că acestea sunt conectate și folosite corect. Folosirea colectorului de praf poate reduce riscul de pericole legate de praf.



ATENȚIE! Avertismente generale cu privire la folosirea în siguranță a unelei.

Utilizarea și îngrijirea unelei electrice:

- Nu supraîncărcați unealta electrică. Utilizați o unealtă electrică în funcție de puterea necesară muncii efectuate. Unealta electrică corectă va permite o funcționare mai bună și este sigură în cazul însărcinării, pentru care a fost proiectată.
- Este interzisă utilizarea unelei electrice dacă comutatorul nu pornește și nu oprește unealta. Fiecare unealtă electrică care nu pornește sau nu se oprește este periculoasă și trebuie reparată.

- c) **Deconectați stecherul de la sursa de alimentare a unei electrice și/sau deconectați bateria înainte de orice setare, schimbare de părți sau depozitare. Aceste mijloace de protecție reduc riscul unei porniri accidentale a unei electrice.**
- d) **Unealta electrică nefolosită trebuie depozitată departe de copii și nu trebuie împrumutată persoanelor care nu cunosc unelata electrică sau care nu au citit această instrucție de folosire a unei electrice. Unelata electrică este periculoasă când este folosită de o persoană fără experiență.**
- e) **Unelata electrică trebuie bine întreținută. Trebuie controlată alinierea sau buierea pieselor în mișcare, ruperea pieselor și alți factori care pot avea influență la funcționarea unei electrice. Dacă găsim o deteriorare, unelata electrică înainte folosirii trebuie reparată. Cauza multor accidente este întreținerea necorespunzătoare a unei electrice.**
- f) **Unelte de tăiere trebuie să fie ascuțite și curate. Înțreținerea părților ascuțite ale uneltelor de tăiere reduce riscul de blocare în material și ușurează folosirea.**
- g) **Unelata electrică, echipamentul, uneltele de lucru, etc. trebuie utilizate în conformitate cu această instrucție, ținând cont de tipul și condițiile de lucru. Utilizarea unei electrice în alt mod decât este destinația, poate duce la situații periculoase.**
- h) **La temperaturi scăzute, sau după o perioadă îndelungată de nefolosire, este recomandată pornirea unei electrice fără sarcină pentru câteva minute pentru a distribui corect unsoarea în mecanismul de transmisie.**
- i) **Pentru curățirea unei electrice folosiți o cârpă moale, umedă (nu udă) și săpun. Nu folosiți benzină, diluanți sau alte mijloace care pot deteriora echipamentul.**
- j) **Unelata electrică trebuie depozitată/transportată numai după ce ne-am asigurat că toate elementele în mișcare sunt blocate și asigurate cu ajutorul elementelor originale destinate blocării.**
- k) **Unelata electrică trebuie păstrată într-un loc uscat, asigurat împotriva prafului și a umezelii.**
- l) **Transportul unei electrice trebuie să aibă loc în ambalajul original, asigurat împotriva deteriorărilor mecanice.**



ATENȚIE! Avertismente generale cu privire la folosirea în siguranță a unei electrice.

Repararea:

- a) **Reparații în garanție și postgaranție ale uneltelor dumneavoastră electrice sunt efectuate de Service-ul PROFIX, ceea ce garantează calitatea cea mai ridicată a reparațiilor și utilizarea de piese originale de schimb.**
- b) **Dacă cablul de alimentare este deteriorat, trebuie înlocuit cu unul nou de la producător sau într-o unitate de reparații specială sau de către o persoană calificată, pentru a evita pericolele.**



ATENȚIE!

În timpul utilizării unei electrice se recomandă respectarea regulilor de bază ale siguranței muncii, pentru a evita incendiile, electrocutarea sau vătămări mecanice.



AVERTISMENT! POLIZORUL ELECTRIC DE BANC, rectificarea referitoare la siguranță

Siguranța personală:



Întotdeauna folosiți ochelari de protecție

- a) **Unelata electrică trebuie folosită numai cu scuturile de scântee montate. Scânteele care apar în timpul prelucrării, pot dauna ochilor, sau pot duce la incendierea elementelor din apropiere.**
- b) **În timpul utilizării, scuturile de scântee trebuie inclinate puternic, cât se poate de mult în jos. În timpul prelucrării metalelor apar scântee.**
- c) **În timpul utilizării unei electrice este interzisă introducerea mâinilor sub discul abraziv. Poate duce la vătămări corporale grave.**
- d) **Utilizați doar discuri abrazive, recomandate de producător, marcate cu viteza de rotație egală cu viteza unei electrice sau mai mare, decât cea indicată în tabelul nominal al unei electrice. Faptul că discul abraziv poate fi montat pe unelată, nu garantează siguranța utilizării.**
- e) **Este strict interzisă utilizarea de discuri abrazive deteriorate sau deformate. Înainte de fiecare utilizare, controlați discul abraziv dacă nu este deteriorat sau crăpat. În cazul lovirii unei electrice sau a discului, controlați dacă nu s-a deformat, sau în caz de deformare utilizați un disc nou. După controlul și fixarea discului, porniți unelata electrică și lăsați-o pornită timp de un minut la viteza maximă de rotație, având grijă ca utilizatorul sau persoana din împrejur să nu se afle în raza de acțiune a discului în rotație.**
- f) **Controlați regulat distanța între banc și disc. Fixați scutul de scântee des, astfel încât să fie adaptat la uzura discului, cu păstrarea distanței între scutul și disc nu mai mare decât 2 mm. În cazul distanței mai mari, protecția de scântee nu este adecvată. Elementul prelucrat poate fi tras în timpul mișcării de rotație a discului și poate provoca vătămări.**
- g) **Folosiți șorț de protecție. Aveți atenție, să nu expuneți pe nimeni la pericol cauzat de scântee în timpul prelucrării. Îndepărtați toate materialele inflamabile din apropiere.**
- h) **Viteza admisă de rotație a discului folosit nu poate fi mai mică decât viteza maximă de rotație a unei electrice. Discul, care se poate roti mai repede decât viteza maximă admisă, se poate rupe, iar părțile rupte pot sări.**



AVERTISMENT! POLIZORUL ELECTRIC DE BANC, indicații cu privire la siguranță.

Siguranța electrică:

- a) **Este interzisă utilizarea unei electrice cu cablul de alimentare deteriorat. Este interzisă atingerea cablului deteriorat; în cazul deteriorării cablului în timpul utilizării, scoateți stecherul din priză. Cablurile deteriorate cresc riscul electrocutării.**
- b) **Unelata electrică trebuie conectată la o sursă de curent cu împământare eficientă. Priza de rețea și cablul prelungitor trebuie să aibă cablul de împământare eficient.**
- c) **Polizorul este echipat cu cablu de alimentare fix. În cazul în care cablul de alimentare se deteriorează, trebuie înlocuit cu un cablu**

special sau un înlocuitor accesibil la producător sau într-un service autorizat cu repararea.



AVERTISMENT! POLIZOR ELECTRIC DE BANC,

Indicații generale referitoare la siguranță:

- Materialul destinat prelucrării trebuie apropiat de unealta electrică pornită. Unealta electrică poate fi oprită doar după extragerea materialului prelucrat. Materialul prelucrat se poate brusca mișca.**
- Este interzisă introducerea materialului de prelucrat dinspre partea laterală a discului abraziv. Slefuiți întotdeauna prin împingere în față. Elementul prelucrat poate fi tras din mâini în timpul rotației discului și poate produce vătămări.**
- Polizorul trebuie fixat bine de banc cu ajutorul șuruburilor sau pe o suprafață stabilă, în așa fel încât să fie imposibilă mișcarea necontrolată a unelei și vibrațiile produse de unealtă să fie minime.**
- Unealta de șlefuire trebuie controlată înainte de fiecare folosire. Unealta de șlefuire trebuie să fie corect fixată și trebuie să se rotească liber. Porniți unealta pe o perioadă de probă, în gol, la viteza maximă de rotire, pentru cel puțin un minut. Nu utilizați unelte deteriorate, crăpate sau care produc vibrații. Unelele deteriorate de șlefuire se pot crăpa și produce vătămări corporale grave.**
- Este interzisă utilizarea unelei de către copii.**

DESTINAREA POLIZORULUI:

Polizorul de banc este destinat șlefuirii cu disc abraziv cu granulație mare și mică a metalului uscat, materialelor plastice și a altor materiale, cu condiția utilizării discului abraziv corect.

Echipamentul a fost proiectat în general pentru mici lucrări de șlefuire, cum ar fi: prelucrarea și ascuțirea cuțitelor, lamelor, burghiilor, dăștilor de tâmplărie și zidărie, frezelor, etc.

Este interzisă categoric utilizarea echipamentului în alte lucrări decât cele enumerate.

Fiecare utilizare a unelei electrice neconformă cu destinarea acesteia, așa cum a fost indicată mai sus, este interzisă și atrage după sine pierderea garanției precum și privarea de răspundere a producătorului pentru pagubele apărute în urma acestor.

Toate modificările aparatului efectuate de utilizator îl exceptă pe producător de responsabilitate pentru pagubele provocate utilizatorului și mediului.

Utilizarea corespunzătoare a unelei electrice se referă de asemenea și la întreținerea, depozitarea, transportul și reparațiile aparatului.

Unealta electrică poate fi reparată doar în punctele de service menționate de producător. Aparatele alimentate la rețea trebuie să fie reparate doar de persoane calificate în acest sens.

În ciuda destinației de folosire, nu putem elimina complet anumiți factori de risc. Datorită construcției și proiectării, putem întâlni pericolele următoare:

- Atingerea discului abraziv în părțile neacoperite.
- Aruncarea de către forța centrifugă a părților discurilor de șlefuire.
- Aruncarea materialului prelucrat sau a părților acestuia.
- Pierderea auzului în cazul în care nu folosim căști de protecție.
- Crăpare/rupere a discului abraziv.

- Emisii nocive de particule în cazul executării de lucrări uscate în încăperi închise.

ELEMENTE:

- Polizor de banc - 1 buc.
- Disc abraziv cu granulație mare - 1 buc.
- Disc abraziv cu granulație mică - 1 buc.
- Scuturi de scântei cu elemente de fixare - 2 buc.
- Suportul piesei de prelucrat cu elemente de fixare - 2 buc.
- Instrucția de folosire - 1 buc.
- Fișa de garanție - 1 buc.

CONSTRUCȚIA POLIZORULUI:

Polizorul electric de banc este acționat cu un motor mono-fază și este un aparat de prima clasă de echipament - priza și cablul prelungitor trebuie să aibă cablul de împănământenerie eficient.

Construcția polizorului este indicată în fig. A-C pe pag. 2:

Fig.A: 1. Întrerupător

2. Piuliță fluture
3. Suport piesă de prelucrat
4. Discul abraziv
5. Scutul de scântei
6. Fixarea scutului de scântei
7. Orificii de montare bază

Fig.C: 8. Șuruburi de fixare

9. Scutul lateral
10. Piulița de fixare
11. Flanșa de apăsare
12. Disc de carton
13. Ax rotativ
14. Scutul discului

DATA TEHNICE:

Tensiune nominală	230 V
Frecvența nominală	50 Hz
Puterea	200 W
Viteza max. fără piesă	2950/min
Dimensiunile discurilor (max. diametru x grosime x Ø orificiu)	150 x 16 x 12,7mm
Disc abraziv cu granulație 1/2	36/60
Viteza de rotație a discului abraziv fără piesă	23 m/s
Ciclul de lucru	52 30 min
Clasa dispozitivului	I
Greutate	8,5 kg
Nivelul de presiune acustică (LpA)	62,6 dB(A), ±3dB(A)
Nivel putere acustică (LpW)	75,6 dB(A), ±3dB(A)

52 30 min – funcționare ocazională, timpul nominal de funcționare 30 min.

ATENȚIE! După 30 min de funcționare întrerupeți lucrul până la răcirea în totalitate a polizorului.

PREGĂTIRE DE FUNCȚIONARE:

După despachetare, controlați dacă toate elementele sunt prezente și montați-le în conformitate cu instrucția.

ATENȚIE: Înainte de montare sau reglare, asigurați-vă că aparatul este deconectat de la rețeaua de alimentare.

■ Setarea polizorului

Pentru a garanta siguranța folosirii, polizorul trebuie întotdeauna fixat pe o suprafață plată și stabilă de lucru (de ex. bancul de lucru).

Așezați polizorul pe o suprafață stabilă orizontală (banc de lucru) în loc care face posibilă o utilizare liberă și sigură. Folosind orificiile de fixare a bazei (7) înșurubați-o rigid cu ajutorul a patru șuruburi de fixare. Lungimea șuruburilor este aleasă în funcție de grosimea bancului.

■ Montarea suportului elementului prelucrat

Suporturile elementului prelucrat (3) trebuie montate în conformitate cu fig. A1, pag.2.

Distanța între discul abraziv (4) și suportul elementului prelucrat (3) poate să fie cel mult de 2 mm și trebuie această valoare să fie setată regulat (vezi: fig. B, pag.2).

ATENȚIE: Setarea suportului trebuie să aibă loc în momentul în care discul este nemișcat.

Dacă discul abraziv este foarte uzat, și este imposibil să setăm această valoare cu ajutorul suportului materialului prelucrat, atunci trebuie schimbât discul abraziv cu unul nou.

■ Montarea scuturilor de scânteie

Scuturile de scânteie (5) trebuie montate în conformitate cu fig. A2, pag.2.

Distanța între discul abraziv (4) și fixarea scutului de scânteie (6) poate să fie cel mult de 2 mm și trebuie această valoare să fie setată regulat (vezi: fig. B, pag.2).

ATENȚIE: Setarea distanței trebuie să aibă loc în momentul în care discul este nemișcat.

■ Înlocuirea discului abraziv

ATENȚIE: Protejați discul abraziv împotriva loviturilor, deteriorărilor mecanice și a lubrifiantilor. Este interzisă utilizarea echipamentului cu discuri abrazive deteriorate sau neconforme cu specificația. Înainte de înlocuirea discului, controlați starea sa și analizați-l.

Controlul discurilor abrazive are loc după «sunet». Discul este amplasat pe o tijă de lemn, învârtim și în același timp îl lovim cu un ciocan de lemn, pe ambele părți ale discului și la diferite distanțe de orificiul central:

- a) un sunet metalic: discul abraziv nu este crăpat – îl putem utiliza.
- b) un sunet ascuțit care rapid dispare: discul abraziv este crăpat – este interzisă utilizarea deoarece reprezintă un pericol pentru utilizator.

Pentru înlocuirea discului (4) trebuie cu ajutorul șurubelniței Ph2 și a cheii M8 să deșurubați cele 3 șuruburi de fixare (8) și scoateți scutul lateral (9) (vezi: fig. C, pag.2). Slăbiți piulița de fixare (10) cu ajutorul cheii M19 (**ATENȚIE:** Discul abraziv din stânga, este fixat cu ajutorul fileului de stânga, iar discul abraziv din dreapta cu ajutorul fileului de dreapta) menținând din partea opusă piulița de blocare a flanșei de apăsare. Apoi scoateți flanșa de apăsare (11), discul de carton (12) și discul abraziv de pe ax (13). Acum putem înlocui discul. Montarea are loc în ordine inversă. Flanșa de apăsare trebuie îndreptată cu partea concavă înspre discul abraziv.

ATENȚIE: După înlocuirea discului abraziv, trebuie să se rotească în gol cel

puțin 1 minut.

ÎNAINTE DE ÎNCEPEREA LUCRULUI:

1. Asigurați-vă, că sursa de alimentare are parametrii conformi cu parametrii polizorului, indicați pe tabelul nominal.
2. Asigurați-vă că întrerupătorul (1) polizorului este în poziția oprit.
3. În cazul utilizării prelungitorului, asigurați-vă că parametrii prelungitorului, secțiunea cablurilor, sunt conforme cu parametrii polizorului. Recomandăm folosirea prelungitoarelor cât mai scurte. Prelungitorul trebuie să fie desfășurat în întregime.
4. Înainte de începerea lucrului, controlați fixarea polizorului și aveți grijă, ca discurile abrazive să se rotească liber.

FUNCȚIONAREA:

■ Pornire/oprire

Pentru a porni, setați întrerupătorul (1) în poziția 1.

Pentru a opri, setați întrerupătorul (1) în poziția 0.

ATENȚIE: După fiecare înlocuire și înainte de începerea șlefuirii, discul abraziv trebuie să se rotească în gol cel puțin 1 minut.

■ Șlefuirea

Elementul șlefuit trebuie sprijinit pe suportul elementului de prelucrat (3) și apăsați-l ușor pe disc (4). Pentru atingerea celui mai bun rezultat al șlefuirii, mișcați elementul prelucrat în față și în spate. Astfel discul abraziv va fi folosit egal pe toată suprafața. Trebuie avută atenție, că în timpul șlefuirii, elementul prelucrat se încălzește puternic. De aceea, din când în când trebuie răcit elementul prelucrat prin scufundare în apă rece.

În timpul procesului de șlefuire, discul abraziv pierde calitățile sale de tăiere, adică toate lucrurile libere se umplu de materialul îndepărtat și pierde circularitatea. Pentru deschiderea suprafeței de lucru și restabilirea circularității, recomandăm cuțite de diamant sau de alt tip.

AVERTISMENT: Praful unor materiale, de exemplu suprafețele vopsite cu conținut de plumb, unele tipuri de lemn, mineralele sau unele tipuri de metale pot reprezenta un risc pentru sănătate. Contactul fizic direct cu prafulurile sau pătrunderea acestora în plămâni, poate provoca reacții alergice și/sau afecțiuni ale căilor respiratorii operatorului sau persoanelor aflate în împrejur. Unele tipuri de praf, de ex. de stejar sau fag sunt considerate a fi cancerigene, mai ales în combinații cu substanțe de prelucrare a lemnului (cromați, conservanți pentru lemnoase). Materialele care conțin azbest pot fi manipulate doar de persoane instruite special.

– Întotdeauna asigurați o bună ventilație a locului de muncă.

– Purtați masca de praf.

Respectați reglementările în vigoare naționale, normele care reglementează manipularea materialelor destinate prelucrării.

DEPOZITAREA ȘI ÎNȚEȚINEREA:

În general, nu sunt necesare operații speciale de întreținere. Trebuie depozitat în loc inaccesibil copiilor, trebuie menținut curat, protejat împotriva umezelii și a prafului. Condițiile de depozitare trebuie să elimine posibilitatea de deteriorări mecanice sau influențe negative ale condițiilor meteorologice.

Polizorul este conform cu normele naționale și europene, precum și cu regulile de siguranță. Toate reparațiile trebuie efectuate de către persoane împuternicite, care vor folosi doar părți de schimb originale.

■ Curățirea

ATENȚIE: Înainte de orice lucrări de curățare scoateți ștecherul din priză.

Pentru a asigura o utilizare sigură și eficientă, recomandăm curățirea uneltei imediat după fiecare utilizare.

Recomandăm curățirea cu aer comprimat.

Carcasa polizorului trebuie ștersă cu o cârpă umedă, cu o cantitate mică de săpun. Nu utilizați mijloace de curățire sau diluanți, pot deteriora unele părți din material plastic. Aveți atenție, ca în interiorul uneltei să nu pătrundă apa.

PRODUCĂTOR:

PROFIX Sp. z o.o.,
str. Marywilka 34,
03-228 Varșovia, POLONIA

PROTECȚIA MEDIULUI ÎNCONJURĂTOR:



ATENȚIE: Simbolul prezentat înseamnă interdicția de a amplasa aparatul uzat împreună cu alte deșeuri (sub amenințarea unei amenzi). Componentele periculoase aflate în aparatul electric și electronic influențează negativ mediul natural și sănătatea oamenilor.

Fiecare gospodărie casnică trebuie să contribuie la redobândirea și refolosirea (recycling) aparatului uzat. Atât în Polonia, cât și în Europa se

organizează sau deja există sistemul de culegere a aparatului uzat, în cadrul căruia toate punctele de vânzare a respectivei aparaturi sunt obligate să preia aparatul uzat. În plus, există centrele de colectare a acestuia tip de aparatură.

PICTOGRAME:

Explicațiile imaginilor de pe tabelul nominal și de pe etichetele informative:



— «Înainte de cuplare și de a începe operarea trebuie să citiți prezenta instrucțiune»



— «Folosii întotdeauna ochelari de protecție»



— «Folosii întotdeauna măști de praf»



— «Folosii mijloace de protecție auditivă»



Politica firmei PROFIX este aceea de perfecționare continuă a produselor sale și de aceea firma își rezervă dreptul de modificare a specificației produsului fără înștiințarea anterioară. Imaginile indicate în instrucțiunile de utilizare sunt doar exemple și se pot diferi puțin de aspectul real al dispozitivului achiziționat.


Prezenta instrucțiune este protejată prin dreptul de autor. Copierea/înmulțirea fără acordul în scris al firmei PROFIX Sp. z o.o. este interzisă.



PIRMS DARBA SĀKUMA NEPIECIEŠAMS IEPAZĪTIES AR ŠO INSTRUKCIJU.

Saglabā instrukciju varbūtējai turpmākai lietošanai.



BRĪDINĀJUMS! Nepieciešams izlasīt visus brīdinājumus apzīmētus ar simboliem , kuri attiecas uz lietošanas drošību un visus lietošanas drošības norādījumus.

Neievērojot zemāk uzrādītos drošības brīdinājumus un norādījumus attiecībā uz drošību var būt par elektriskās strāvas triecienu, ugunsgrēku un/vai nopietnu traumu iemeslu.

Ievērot visus brīdinājumus un norādījumus attiecībā uz drošību, lai tos turpmāk varētu izmantot.

Zemāk uzrādītos brīdinājumus „elektroinstruments” nozīmē elektroinstrumentu, kurš tiek barots no elektriskā tīkla (ar barošanas vadu) vai elektroinstruments barots no akumulatora (bezvadu).



BRĪDINĀJUMS! Vispārējie instrumenta drošas lietošanu norādījumi.

Darba vietas drošība:

- Darba vietā nepieciešams uzturēt kārtību un labu apgaismojumu. Nekārtība un slikts apgaismojums ir negadījumu iemesls.
- Nedrīkst lietot elektroinstrumentu sprāgstošā, viegļi uzliesmojošā, gāzu un putekļainā vidē. Elektroinstrumenta darbības laikā rodas dzirksteles, no kurām var aizdegties putekļi un tvaiki.
- Vietā, kur tiek lietoti elektroinstrumenti nevar atrasties bērni un novērotāji. Novērot uzmanību var zaudēt kontroli par elektroinstrumentu.



BRĪDINĀJUMS! Vispārējie instrumenta drošas lietošanu norādījumi.

Elektriskā drošība:

- Elektroinstrumenta kontaktdakšīnām jābūt pielāgotām pie kontaktligzdām. Nekad nekādā gadījumā nedrīkst mainīt kontaktdakšīņu. Nedrīkst lietot nekādus pagarinātājus gadījumā, ja elektroinstruments ir apgādāts ar vadu ar aizsardzības iezemējuma dzislu. Ja netiek darītas kontaktdakšīņu un kontaktlīdziņa izmaiņas, tas samazina elektriskā triecienu risku.
- Nepieciešams izvairīties no iezemētām virsmām vai savienotām ar masu, kā piemēram caurules, sildītāji, centrālplaukses radiatoru un dzesinātāji. Gadījumā, ja notiek kontakts ar iezemētām vai ar masu savienotām daļām pieaug elektriskās strāvas triecienu risks.
- Nedrīkst pakļaut elektroinstrumentus uz lietus vai mitruma iedarbību. Gadījumā, ja elektroinstrumentā iekļūst ūdens pieaug elektriskās strāvas triecienu risks.
- Nedrīkst pārslogot savienojuma vadus. Nekad nedrīkst lietot savienojuma vadu elektroinstrumenta pārnēsāšanai, vilkšanai vai izvilkēt kontaktdakšīņu no kontaktlīdziņa aiz vada. Nepieciešams turēt savienojuma vadu tālu no siltuma avotiem, eļļainām, asām šķautnēm vai kustīgām daļām. Bojāti

vai sapīti savienojuma vadi palielina elektriskās strāvas triecienu risku.

- Gadījumā, ja elektroinstruments tiek lietots ārpusē, savienojuma vadus nepieciešams pagarināt ar pagarinātājiem, kuri ir piemēroti darbam ārpusē. Lietojot pagarinātājus piemērotus darbam ārpusē samazinās elektriskās strāvas triecienu risks.
- Ieteicams ierīci pievienot pie elektriskā tīkla, kurš ir aprīkots ar RCD slēdzi ar 30mA vai mazāku izslēgšanas strāvu.
- Gadījumā, ja ir nepieciešamība lietot elektroinstrumentu mitrā vidē, par sprieguma aizsardzību nepieciešams lietot strāvas starpības ierīci (RCD). Lietojot RCD samazinās elektriskās strāvas triecienu risks.



BRĪDINĀJUMS! Vispārējie instrumenta drošas lietošanu norādījumi.

Individuālā drošība:

- Šī ierīce nav piemērota lietot cilvēkiem (tai skaitā bērniem) ar ierobežotām fiziskām, jūtības un psihiskām spējām, vai cilvēkiem bez ierīces darbības pieredzes vai zināšanām, izņemot, ja tas notiek uzraudzībā vai saskaņā ar ierīces lietošanas instrukciju, ar kuru ir iepazinās par drošību atbildīgas personas.
- Elektroinstrumenta lietošanas laikā nepieciešams būt tālredzīgiem, novērot kas notiek un saglabāt skaidru saprātu. Nedrīkst lietot elektroinstrumentu noguruma laikā vai narkotisku vielu, alkohola vai zāļu iedarbībā. Neuzmanības mirklis strādājot ar elektroinstrumentu var radīt nopietnas ķermeņa traumas.
- Nepieciešams lietot individuālos aizsardzības līdzekļus. Vienmēr nepieciešams lietot aizsargbrilles. Lietojot attiecīgos apstākļos aizsardzības līdzekļus, tādus kā putekļu maskas, neslidošus apavus, ķiveres vai dzirdes aizsardzības līdzekļus, samazināsies individuālais traumas risks.
- Nepieciešams izvairīties no neparedzētām kustībām. Pirms pieslēgšanas pie barošanas avota un/vai pirms akumulatora pieslēgšanas kā arī pirms tam, kad paceļam vai pārceļam ierīci nepieciešams pārļiecināties, ka elektroinstrumenta slēdzis atrodas izslēgšanas stāvoklī. Pārnēsāt elektroinstrumentu ar pirkstu uz slēdža vai barošanas tīkla pieslēgtu elektroinstrumentu pie ieslēgta slēdža var būt par negadījuma iemeslu.
- Pirms elektroinstrumenta palaišanas nepieciešams novākt visas atslēgas. Atslēga atstāta rotējošā elektroinstrumenta tuvumā var radīt individuālas traumas.
- Nedrīkst pārlieku tālu izliekties. Visu laiku nepieciešams stāvēt stabili un saglabāt līdzsvaru. Tas dos iespēju neparedzētās situācijās labāk kontrolēt elektroinstrumentu.
- Nepieciešams attiecīgi ģērbties. Nedrīkst nēsāt vaļigus apģērbus vai rotas lietas. Nepieciešams turēt savus matus, apģērbu un cimdus tālu no kustīgām daļām. Valģis apģērbs, rotas lietas vai gari mati var tikt aizķerti ar kustīgām daļām.
- Ja ierīce ir pielāgota ārējai putekļu sūkšanai un putekļu uzsūkšanai, nepieciešams pārļiecināties, ka tie ir pieslēgti un pareizi lietoti. Lietojot putekļu sūcēju var samazināt putekļu

ieelpošanas bīstamību.



BRĪDINĀJUMS Vispārējie instrumenta drošas lietošanu norādījumi.

Lietošana un gādība par elektroinstrumentu:

- a) **Nedrīkst pārslēgt elektroinstrumentu. Nepieciešams piemērot elektroinstrumentu veiktajam darbam.** Pareizs elektroinstrumenta nodrošinās labāku un drošāku darbu pie slodzes, kādam tas tika projektēts.
- b) **Nedrīkst lietot elektroinstrumentu, ja slēdzis to neieslēdz un neizslēdz.** *Katrs elektroinstrumenta, kuru nevar ieslēgt vai izslēgt ar slēdzi ir bīstams un to nepieciešams labot.*
- c) **Nepieciešams atvienot elektroinstrumenta kontaktdakšīnu no barošanas avota un/vai atslēgt akumulatoru pirms tiek veikta jebkāda uzstādīšana, detaļu maiņa vai instrumenta glabāšana.** Tādas drošības darbības reducē neparedzētu elektroinstrumenta palaišanu.
- d) **Nelietotu elektroinstrumentu nepieciešams glabāt bērniem nepieejamās vietās un nedrīkst atļaut personām, kuras nav iepazīnušas ar elektroinstrumentu vai šo lietošanas instrukciju lietot elektroinstrumentu.** Elektroinstrumenti ir bīstami neapmācītu lietotāju rokās.
- e) **Elektroinstrumentu nepieciešams konservēt.** Nepieciešams pārbaudīt asu sakrītību vai kustīgo daļu iekļūšanas, detaļu plīsumus un visus apstākļus, kuri varētu ietekmēt elektroinstrumenta darbu. Ja tiek konstatēti bojājumi, elektroinstrumentu pirms lietošanas nepieciešams salabot. Daudzu negadījumu iemesls ir nepareiza elektroinstrumenta konservācija.
- f) **Griezējinstrumentiem jābūt asiem un tīriem.** Attiecīgi uzturēti asi griezējinstrumenta asmeņi samazina iekļūšanas iespējas un atvieglo apkalpošanu.
- g) **Elektroinstrumentu, aprikojumu, darba instrumentus un tml. nepieciešams lietot saskaņā ar šo instrukciju, ņemot vērā darba apstākļus un veicamo darbu.** *Lietot elektroinstrumentu tam neparedzētā veidā var novest pie bīstamām situācijām.*
- h) **Zemās temperatūrās vai pēc ilgāka nelietošanas laika, ieteicams uz pāris minūtēm ieslēgt elektroinstrumentu bez slodzes, lai piedziņas mehānismā sāktu pareizi darboties smērēlīa.**
- i) **Elektroinstrumentu tīrīšanai lietot mikstu, mitru (ne slapju) drānu un ziepes.** Nelietot benzīnu, šķīdinātājus un citus līdzekļus, kuri varētu sabojāt ierīci.
- j) **Elektroinstrumentu nepieciešams glabāt / transportēt iepriekš pārliecinoties, ka visas kustīgās daļas ir nobloķētas un nodrošinātas pret atbloķēšanu ar oriģināliem šim nolūkam paredzētiem elementiem.**
- k) **Elektroinstrumentu nepieciešams glabāt sausā, no putekļiem un mitruma sargātā vietā.**
- l) **Elektroinstrumenta transportēšanu jāveic oriģinālā iepakojumā, kurš pasargā no mehāniskiem bojājumiem.**



BRĪDINĀJUMS! Vispārējie instrumenta drošas lietošanu norādījumi.

Remonts:

- a) **Savu elektroinstrumentu garantijas un pēcgarantijas remontus veic PROFIX serviss, kas garantē visaugstāko remontu kvalitāti kā arī tiek izmantotas oriģinālas rezerves daļas.**
- b) **Ja barošanas vads tiek bojāts, to nepieciešams apmainīt pie ražotāja vai specializētā remonta darbinīcā, vai arī to jāveic kvalificētai personai, lai novērstu bīstamību.**



BRĪDINĀJUMS!

Darba laikā ar elektrisko instrumentu ieteicams vienmēr ievērot galvenos drošības principus, lai izvairītos no ugunsgrēka, elektriskās strāvas trieciena vai mehāniskām traumām.



BRĪDINĀJUMS! STACIONĀRĀ SLĪPMAŠĪNA, drošības norādījumi

Individuālā drošība:



Vienmēr nepieciešams lietot aizsargbrilles

- a) **Elektroinstrumentu nepieciešams lietot tikai ar uzstādītiem pretdzirksteļu aizsargiem.** *Dzirksteles, kuras rodas slīpēšanas laikā var būt redzes pasliktināšanās iemesls kā arī radīt tuvumā esošo priekšmetu ugunsgrēku.*
- b) **Darba laikā pretdzirksteļu aizsargus nepieciešams nostādīt lejas stāvoklī tik stipri, cik tas iespējams.** *Metālu apstrādes laikā notiek dzirksteļošana.*
- c) **Elektroinstrumenta darba laikā nedrīkst likt rokas zem rotējošas slīpripas.** *Tas var būt pār ķermeni nopietnu traumu iemeslu.*
- d) **Nepieciešams lietot tikai tās slīpripas, kuras ieteikt ražotājs ar pieļaujamiem griešanās ātrumiem uzrādītiem uz mašīnas plāksnītes vai lielākiem.** *Fakts, ka aprikojumu var uzstādīt uz mašīnas, negarantē mašīnas drošu lietošanu.*
- e) **Nekādā gadījumā nedrīkst lietot bojātas vai deformētas slīpripas.** *Pirms katras lietošanas nepieciešams kontrolēt vai slīpripai nav izrāvumu un plīsumu.* *Gadījumā, ja elektroinstrumenta virs slīpripa nokrīt, nepieciešams pārbaudīt vai tie nav bojāti, vai izveļēties citu nebojātu slīpripu.* *Pēc slīpripas pārbaudes un stiprināšanas elektroinstrumentu nepieciešams iedarbināt un atstāt ieslēgtu 1 minūti ar maksimāliem apgriezieniem, pie tam pievērst uzmanību, lai lietotājs un citas nepiederošas personas atrastos ārpus rotējošās slīpripas iedarbības zonas.*
- f) **Nepieciešams regulāri pārbaudīt atstarpus starp galda virsmu. Uzstādīt pretdzirksteļu aizsargu tik bieži, lai tā stāvoklis būtu pielāgots slīpripas nolietojumam, saglabājot attālumu no aizsarga līdz slīpripai ne vairāk kā 2 mm.** *Lielāka attāluma gadījumā aizsardzība pret dzirksteļiem nav pietiekama.* *Apstrādājama materiāls var tikt ievilkts slīpripas rotēšanas rezultātā un radīt traumas.*
- g) **Nepieciešams nēsāt darba priekšautu.** *Nepieciešams pievērst uzmanību, lai nevienam neizraisītu bīstamību ar apstrādes laikā radušām dzirksteļiem.* *Nepieciešams novākt visus tuvumā atrodošos viegli uzliesmojošus materiālus.*
- h) **Lietotā darba instrumenta pieļaujama griešanās ātrums nevar būt mazāks par maksimālo griešanās ātrumu, kurš uzrādīts uz elektroinstrumenta.** *Ja darba instruments rotē ar*

lielaku ātrumu nekā pieļauts, tas var lūzt un tā daļas atdalīties.



BRĪDINĀJUMS! STACIONĀRĀ SLĪPMAŠĪNA, drošības norādījumi.

Elektriskā drošība:

- Nedrīkst lietot elektroinstrumentu ar bojātu vadu. Nedrīkst pieskarties pie bojāta vada; gadījumā, ja vads tiek bojāts darba laikā, nepieciešams izvilkt kontaktdakšīņu no kontaktlīdždas. Bojāti vadi palielina elektriskās strāvas trieciena risku.**
- Elektroinstrumentu nepieciešams pieslēgt pie pareizi iezemēta strāvas avota. Tikla līdždai un vadam jābūt apgādātiem ar pareizi funkcionējošu tīkla sistēmas iezemēšanas aizsargvadu.**
- Slīpmašīna ir apgādāta ar pastāvīgu barošanas vadu. Ja pastāvīgais barošanas vads tiek bojāts, tad to nepieciešams apmainīt ar speciālu vadu vai izgatavotāja pieejamo komplektu, vai specializētā remonta darbnīcā.**



BRĪDINĀJUMS! STACIONĀRĀ SLĪPMAŠĪNA,

Vispārējie drošības nosacījumi:

- Apstrādei paredzēto materiālu nepieciešams pielikt pie ieslēgta elektroinstrumenta. Elektroinstrumentu drīkst izslēgt tikai pēc apstrādājamā materiāla atbīdīšanas. Apstrādājamais materiāls var tikt negaidīti atrauts.**
- Nedrīkst pielikt apstrādājamo elementu pie rotējošas slīpripas sāniem. Slīpēt nepieciešams vienmēr bīdot uz priekšu. Apstrādājamais priekšmets var tikt izrauts no rokas slīpripas griešanās laikā un radīt traumas.**
- Slīpmašīnu nepieciešams rūpīgi piestiprināt ar skrūvēm pie galdā vai stabilas pamatnes tā, lai nebūtu iespējama ierīces nekontrolēta pārvietošanās kā arī samazināt ierīces radīto vibrāciju.**
- Pirms katras lietošanas nepieciešams kontrolēt slīpēšanas instrumentu. Slīpēšanas instrumentam jābūt pareizi stiprinātam un tam viegli jāgriežas. Veikt izmēģinājuma ieslēgšanu bez slodzes ar vislielāko griešanās ātrumu, vismaz vienu minūti. Nelietot bojātus, šķībus vai vibrējošus slīpēšanas instrumentus. Bojāti slīpēšanas instrumenti var salūzt un radīt nopietnas traumas.**
- Ierīci nekādā gadījumā nevar apkalpot bērni.**

SLĪPMAŠĪNAS PIELIETOJUMS:

Stacionārā slīpmašīna paredzēta metāla, plastmasas un citu materiālu rupjai un precīzai sausiai slīpēšanai, ar nosacījumu, ka tiek lietota attiecīga slīpripa.

Ierīce tika projektēta galvenokārt maziem slīpēšanas darbiem, tādiem kā: nažu, šķēru, urbju, galdnieku un mūrnieku kaltu, cirtņu un tml. apstrādei un asināšanai.

Kategoriski aizliegts lietot ierīci citiem nolūkiem.

Aizliegts elektroinstrumentu pielietot neatbilstoši augstāk uzrādītam pielietojumam, tas rada garantijas zaudēšanu kā arī ražotājs neatbild par šādā veidā radītiem zaudējumiem.

Jebkādas ierīces modifikācijas, kuras veic lietotājs atbrīvo ražotāju no atbildības par bojājumiem un zaudējumiem, kuri nodarīti lietotājam un apkārtējiem.

Pareiza elektroinstrumenta lietošana attiecas arī uz konservāciju, glabāšanu, transportu un remontu.

Elektroinstrumentu drīkst lietot tikai ražotāja uzrādītos servisa punktos. Ierīces, kuras tiek barotas no elektriskā tīkla drīkst lietot tikai pilnvarotas personas.

Neskatoties uz to, ka ierīce tiek lietota saskaņā ar pielietojumu nevar pilnībā izslēgt atsevišķus riska elementus. Mašīnas konstrukcija un uzbūve var radīt sekojošas bīstamības:

- Pieskāšanās pie slīpripas neapsegta slīpripas vietā.
- Bojāto slīpripas daļu izmešana centrālās spēka iedarbībā.
- Apstrādājamā priekšmeta vai tā daļas atmešana.
- Dzirdes zaudēšanas bīstamība gadījumā, ja netiek lietotas aizsargaustiņas.
- Slīpripas plīšana/salaušanās
- Veselībai kaitīgo putekļu emisija veicot sauso darbu slēgtās telpās.

KOMPLEKTĀCIJA:

- Stacionārā slīpmašīna - 1 gab.
- Rupjgraudainā slīpripa - 1 gab.
- Smalkgraudainā slīpripa - 1 gab.
- Dzirksteļu aizsargi ar stiprināšanas elementiem - 2 gab.
- Apstrādājamā materiāla atbalsti ar stiprināšanas elementiem - 2 gab.
- Apkalpošanas instrukcija - 1 gab.
- Garantijas karte - 1 gab.

MAŠĪNAS UZBŪVE:

Stacionārā slīpmašīna ar vienfāzes dzinēja piedziņu ir pirmās klases ierīce - kontaktlīdždai un pagarinātajam jābūt apgādātiem ar iezemējuma vadu.

Slīpmašīnas uzbūve parādīta zīm. A-C lpp. 2:

Zīm. A: 1. Slēdzis

2. Tauriņuzgriezis
3. Apstrādājamā priekšmeta atbalsts
4. Slīpripa
5. Dzirksteļu aizsargs
6. Dzirksteļu aizsarga stiprinājums
7. Pamatnes montāžas atveres

Zīm. C:

8. Stiprināšanas skrūves
9. Sānu pārsegis
10. Stiprināšanas uzgriezis
11. Stiprināšanas gredzens
12. Papīra paliktņi
13. Vārpsta
14. Slīpripas pārsegis

TEHNISKIE DATI:

Nominālais spriegums	230 V
Nominālā frekvence	50 Hz
Jauda	200 W
Maks. griešanās ātrums bez slodzes	2950/min
Slīpripas izmēri (maks. diametrs x biežums x cauruma Ø)	150 x 16 x 12,7mm
Slīpripas graudainība 1/2	36/60
Slīpripas griešanās ātrums bez slodzes	23 m/s

Darba cikls	S2 30 min
Ierīces klase	I
Masa	8,5 kg
Akustiskā spiediena līmenis (LpA)	62,6 dB(A), ±3dB(A)
Akustiskās jaudas līmenis (LpW)	75,6 dB(A), ±3dB(A)

S2 30 min – islaicīgs darbs, nominālais darba laiks 30 min.

UZMANĪBU! Pēc 30 min darba ar pastāvīgu slodzi nepieciešams pārtraukt darbu, lai slīpmašīna pilnībā atdzistu.

SAGATAVOŠANA DARBAM:

Pēc izpakošanas pārbaudīt ierīces komplektāciju un saskaņā ar instrukciju uzstādīt neuzstādītus elementus.

UZMANĪBU: Pirms jebkādas montāžas vai regulēšanas nepieciešams pārliecināties, ka ierīce ir atslēgta no barošanas tīkla.

■ Slīpmašīnas uzstādīšana

Lai nodrošinātu drošu ekspluatāciju slīpmašīnu vienmēr nepieciešams stiprināt uz līdzenas un stabilas darba virsmas (piem. darba galda).

Novietot slīpmašīnu uz stabilas horizontālas virsmas (galda) vietā, kur iespējams brīvs un drošs darbs. Lietojot pamatnes (7) montāžas caurumus to stabilī pieskrūvēt pie galda ar četrām attiecīgām stiprināšanas skrūvēm. Skrūvju garums atkarīgs no galda biezuma.

■ Apstrādājamā priekšmeta atbalstu montāža

Apstrādājamā priekšmeta atbalstus (3) nepieciešams uzstādīt saskaņā ar zīm. A1, lpp.2.

Atstarpe starp slīpriņu (4) un apstrādājamā priekšmeta atbalstu (3) var būt ne vairāk kā 2 mm un to regulāri jāuzstāda līdz šai vērtībai (skat.: zīm. B, lpp.2).

UZMANĪBU: Atstarpes uzstādīšanu jāveic, kad slīpriņa ir nekustīga.

Ja slīpriņa ir stipri nolietota, ka apstrādājamā priekšmeta atbalstu nav iespējams uzstādīt līdz šai vērtībai, nepieciešams slīpriņu nomainīt.

■ Dzirksteļu aizsarga uzstādīšana

Dzirksteļu aizsargus (5) nepieciešams uzstādīt saskaņā ar zīm. A2, lpp.2.

Atstarpe starp slīpriņu (4) un dzirksteļu aizsarga stiprinājumu (6) var būt ne mazāk kā 2 mm un to regulāri jāuzstāda līdz šai vērtībai (skat.: zīm. B, lpp.2).

UZMANĪBU: Atstarpes uzstādīšanu jāveic, kad slīpriņa ir nekustīga.

■ Slīpripas maiņa

UZMANĪBU: Sargāt slīpripas no nokrišanas, sitieniem un smērellām. Aizliegts lietot ierīci ar bojātām kā arī specifikācijai neatbilstošām slīpripām. Pirms maiņas vienmēr nepieciešams rūpīgi apskatīt un pārbaudīt slīpripu stāvokli.

Slīpripu kontrolē izmēģinot «uz skaņu». Slīpripu novietotu uz koka stīpas griežam un vienlaicīgi viegli sit ar koka āmuru, tas attiecas uz abām slīpripas pusēm kā arī dažādiem attālumiem no cauruma:

- tīra metāliska skaņa: slīpriņa nav plīsusī – var lietot.
- šķindoša un ātri dziestoša skaņa: slīpriņa ir plīsusī – nedrīkst lietot, par var radīt lietotājam bīstamību.

Slīpripas (4) maiņai nepieciešams ar skrūvgrieža Ph2 un plakanās atslēgas M8 palīdzību atskrūvēt 3 stiprināšanas skrūves (8) un noņemt sānu pārsegu (9) (skat.: zīm. C, lpp.2). Ar plakanās atslēgas M19 palīdzību atbrīvot stiprināšanas uzgriezni (10) (**UZMANĪBU:** Kreisā

slīpriņa ir stiprināta ar kreiso vītņi, labā slīpriņa ar labo vītņi) turot no pretējās puses stiprināšanas gredzena stiprināšanas uzgriezni. Sekojoši noņemt stiprināšanas gredzenu (11), papīra paliktņi (12) un slīpriņu ar vārpstu (13). Tagad var nomainīt slīpriņu. Montāža notiek atgriezeniskā kārtībā. Stiprināšanas gredzeniem jābūt vērstam ar ieliekto pusi pret slīpriņu.

UZMANĪBU: Pēc slīpripas maiņas to iedarbināt bez slodzes vismaz 1 minūti.

PIRMS DARBA SĀKUMA:

- Pārliecināties, ka barošanas avota parametri atbilst parametriem uzrādītiem uz slīpmašīnas plāksnītes.
- Pārliecināties, ka slīpmašīnas slēdzis (1) atrodas izslēgšanas stāvoklī.
- Strādājot ar pagarinātāju nepieciešams pārliecināties, ka pagarinātāja parametri, vadu šķērsgriezums atbilst slīpmašīnas parametriem. Ieteicams lietot pēc iespējas īsus pagarinātājus. Pagarinātājam jābūt pilnībā atītam.
- Pirms darba sākuma nepieciešams pārbaudīt slīpmašīnas stiprinājumu un pievērst uzmanību uz to, lai slīpripas brīvi grieztos.

DARBS:

■ Ieslēgšana/izslēgšana

Lai ieslēgtu novietot slēdzi (1) stāvoklī I.

Lai izslēgtu novietot slēdzi (1) stāvoklī O.

UZMANĪBU: Pēc katras maiņas un pirms slīpēšanas sākuma slīpriņai jāstrādā bez slodzes vismaz 1 minūti.

■ Slīpēšana

Slīpējamo elementu atbalstīt uz apstrādājamā priekšmeta atbalsta (3) un viegli piespiest pie slīpripas (4). Lai panāktu optimālo slīpēšanas rezultātu, apstrādājamo elementu kustina turp un atpakaļ. Šādā veidā tiks nodrošināta vienmērīga slīpripas nolietošān. Nepieciešams ņemt vērā, ka slīpēšanas laikā apstrādājamo priekšmetu stipri sakarst. Tāpēc apstrādājamo priekšmetu ik pēc kāda laika dzesēt iegremdējot to aukstā ūdenī.

Slīpēšanas procesā slīpriņa zaudē savas slīpēšanas īpašības t.i. aizsērē tās poras no slīpējamā materiāla un tiek zaudēts apaļums. Darba virsmas attīrīšanai un apaļuma atveidošanai rekomendējams izmantot dimanta vai cita veida asmeni.

BRĪDINĀJUMS: Atsevišķu materiālu putekļi piemēram: krāsu kārtas ar svina saturu, dažas koka šķīmes, minerāli vai daži metāla veidi, var radīt bīstamību veselībai. Tiešs fizisks kontakts ar putekļiem vai to iekļūšana plaušās var radīt alerģiskas reakcijas un/vai operatora vai tuvumā esošo cilvēku elpošanas orgānu slimības. Daži putekļu veidi, piem. ozola vai buka tiek uzskatīti vēža slimību izraisīti, tie īpaši savienojumā ar koka impregnētājiem. Materiālus, kuri satur azbestu var apstrādāt tikai attiecīgi apmācīts personāls.

– Vienmēr nepieciešams rūpēties par labu darba vietas ventilāciju.

– Ieteicams lietot putekļu masku.

Nepieciešams ievērot dotajā valstī pastāvošos noteikumus, kuri noteic apstrādei paredzēto materiālu lietošanas principus.

GLABĀŠANA UN KONSERVĀCIJA:

Mašīnai principā nav vajadzīga specializēta konservācija. Mašīnu nepieciešams glabāt bērniem nepieejamā vietā, uzturēt tīru, sargāt no mitruma un putekļiem. Glabāšanas apstākļiem jāizslēdz mehāniskos

bojājumus kā arī kaitīgo atmosfēras apstākļu iedarbību.

Šī ierīce ir saskaņā ar valsts un Eiropas normām kā arī drošības nosacījumiem. Visāda veida remonta darbus jāveic kvalificētam personālam, lietojot oriģinālas rezerves daļas.

■ Tīrīšana

UZMANĪBU: Pirms jebkādu tīrīšanas darbu veikšanas izņem kontaktakšņi no kontaktligzdas.

Lai nodrošinātu drošu un efektīvu darbu ieteicams uzreiz pēc katras lietošanas ierīci tīrīt.

Ieteicams izpūst mašīnu ar saspiesto gaisu.

Sļipmašīnas korpusu tīrīt ar mitru nedaudz ziepjainu drānu. Nelietot nekādus tīrīšanas līdzekļus un šķīdinātājus, tie var sabojāt no plastmasas izgatavotas ierīces detaļas. Nepieciešams uzmanīties, lai ierīcē neieklūtu ūdens.

VIDES AIZSARDZĪBA:



UZMANĪBU: Tajā veidā apzīmētus izstrādājumus, neizpildes gadījumā paredzot naudas sodu, nedrīkst izmest kopā ar parastiem atkritumiem. Elektriskajā un elektroniskajā iekārtā esošas briesmīgas vielas var kaitēt apkārtnējam videi un cilvēku veselībai.

Nepieciešams veicināt iekārtu atkritumu pārstrādāšanai un atkārtotai izmantošanai (reciklēšanai). Polijā un Eiropā tiek veidots, vai jau eksistē, iekārtu atkritumu vākšanas sistēma, saskaņā ar ko visiem iepriekšminētās iekārtas pārdošanas punktiem ir pienākums pieņemt

nolietotu iekārtu. Turklāt, ir pieejamas iepriekšminētās iekārtas vākšanas punkti.

RAŽOTĀJS:

PROFIX SIA,
Marywilska iela 34,
03-228 Varšava, Polija

PIKTOGRAMMAS:

Apzīmējumu skaidrojums, kuri atrodas uz plāksnītes un informācijas uzlīmēm:



«Pirms ieslēgšanas un darba sākuma nepieciešams iepazīties ar šo instrukciju»



«Vienmēr lietot aizsargbrilles»



«Lietot putekļu maskas»



«Lietot dzirdes aizsardzības līdzekļus»



Firmas PROFIX politika ir nepārtraukta savu produktu pilnveidošanas politika, tāpēc firma sev rezervē tiesības ievest izstrādājuma specifikācijas izmaiņas bez iepriekšējas paziņošanas. Zīmējumi, kuri uzrādīti apkalpošanas instrukcijā kalpo tikai kā piemērs un var nedaudz atšķirties no iegādātās ierīces reālā izskata.

Šī instrukcija ir sargāta ar autortiesībām. Aizliegts to kopēt/pavairot bez PROFIX SIA rakstiskas atļaujas.



PŘED ZAHÁJENÍM POUŽÍVÁNÍ SE SEZNAMTE S TÍMTO NÁVODEM.

Uchovávejte návod pro případné další použití.



POZOR! Přečtěte si všechny výstrahy týkající se bezpečnosti používání označené symbolem ⚠ a veškeré pokyny týkající se bezpečnosti používání.

Nedodržování uvedených bezpečnostních výstrah a bezpečnostních pokynů může být příčinou zásahu elektrickým proudem, požáru a/nebo závažných úrazů.

Uchovejte výstrahy a pokyny týkající se bezpečnosti pro případné použití v budoucnosti.

V níže uváděných výstrahách pojem „elektronářadí“ znamená elektronářadí napájené z elektrické sítě (elektrickým vodičem) nebo elektronářadí napájené baterií (bezdrátové).



VÝSTRAHA! Všeobecné výstrahy týkající se bezpečného používání nářadí.

Bezpečnost na pracovišti:

- Udržujte na pracovišti pořádek a zajistěte zde dobré osvětlení. Nepořádek a špatné osvětlení často zapříčiňují nehody.
- Nepoužívejte elektronářadí ve výbušném prostředí tvořeném hořlavými tekutinami, plyny nebo prachem. Elektronářadí vytváří jiskry, které by mohly zapálit prach nebo výparu.
- Nepouštějte děti ani jiné pozorovatele na místa, kde se používá elektronářadí. Rušení pozornosti může způsobit ztrátu kontroly nad elektronářadím.



VÝSTRAHA! Všeobecné výstrahy týkající se bezpečného používání nářadí.

Elektrická bezpečnost:

- Zástrčky nářadí musí odpovídat zásuvkám. Nikdy žádným způsobem nepředělávejte zástrčky. V případě elektronářadí, které má vodič s ochranným uzemněním, nepoužívejte žádné prodlužovačky. Původní nepředělané zástrčky a zásuvky snižují riziko zásahu elektrickým proudem.
- Vyvarujte se dotýkání uzemněných ploch nebo takových, které jsou spojené s hmotou, jako jsou trubky, ohřívače, radiátory ústředního topení a chladničky. V případě dotýkání takových ploch a předmětů roste riziko zásahu elektrickým proudem.
- Nevstavujte elektronářadí na působení deště nebo vlhka. Pokud by se do elektronářadí dostala voda, roste riziko zásahu elektrickým proudem.
- Kabely se nesmí žádným způsobem namáhat. Nikdy nepoužívejte kabel k nošení, tažení elektronářadí nebo k vytahování zástrčky ze zásuvky. Kabel musí být umístěn daleko od zdrojů tepla, oleje, ostrých hran nebo pohyblivých částí. Poškozené nebo propletené kabely zvyšují riziko zásahu elektrickým proudem.
- V případě, že se elektronářadí používá venku, je třeba prodlužovat elektrické kabely prodlužovací určenými na práci venku. Používání prodlužovace určeného do venkovního prostředí snižuje riziko zásahu elektrickým proudem.
- Doporučuje se připojení zařízení k elektrické síti vybavené

proudovým chráničem (RCD) s vypínacím proudem 30mA nebo menším.

- Pokud je nezbytné použití elektronářadí ve vlhkém prostředí, je třeba použít jako ochranu proudový chránič (RCD). Použití RCD snižuje riziko zásahu elektrickým proudem.



VÝSTRAHA! Všeobecné výstrahy týkající se bezpečného používání nářadí.

Osobní bezpečnost:

- Toto zařízení nesmí používat osoby (včetně dětí) s omezenou fyzickou, smyslovou nebo psychickou schopností, nebo osoby, které nemají odpovídající zkušenosti nebo znalosti zařízení, leda že je používají s příslušnou dozorem, nebo v souladu s návodem na používání zařízení, který jim předají osoby zodpovědné za jejich bezpečnost.
- Při používání elektronářadí je třeba být předvídavý, pozorovat, co se děje, a používat zdravý rozum. Nepoužívejte elektronářadí, pokud jste unaveni nebo pod vlivem drog, alkoholu nebo léků. Chvilu nepozornosti při práci s elektronářadím může způsobit závažné osobní úrazy.
- Je třeba používat osobní ochranné prostředky. Je třeba vždy používat ochranné brýle. Používání v příslušných podmínkách takových ochranných prostředků, jako je protiprachová respirační maska, protiskluzová obuv, přílba nebo chrániče sluchu, snižuje nebezpečí osobních úrazů.
- Je třeba se vyhnout neplánovanému spuštění. Před připojením k elektrickému zdroji a/nebo před zapojením baterie a než se nářadí zvedne, nebo přenese, je třeba se ujistit, že je vypínač elektronářadí v poloze vypnuto. Přenášení elektronářadí s prstem na vypínači nebo připojení elektronářadí do sítě se zapojeným vypínačem může být příčinou nehody.
- Před spuštěním elektronářadí je třeba odstranit všechny klíče. Ponechání klíče v otáčející se části elektronářadí může způsobit poranění.
- Je zakázáno přilížit se naklánět. Po celou dobu musíte stát pevně a udržovat rovnováhu. Umožní Vám to dobře kontrolovat elektronářadí při nepředvídatelných situacích.
- Je třeba mít vhodné oblečení. Při práci nenoste volné oblečení ani bžuterii. Je třeba zajistit, aby Vaše vlasy, oblečení a rukavice byly v bezpečné vzdálenosti od pohyblivých částí. Volné oblečení, bžuterie nebo dlouhé vlasy se mohou zachytit do pohyblivých částí.
- Pokud je zařízení přizpůsobeno na napojení k vnějšímu odsávání prachu a pohlčovači prachu, ujistěte se, že jsou připojeny a řádně se používají. Použitím pohlčovačů prachu můžete omezit nebezpečí závislé na prašnosti.



VÝSTRAHA! Všeobecné výstrahy týkající se bezpečného používání nářadí.

Používání elektronářadí péče o ně:

- Elektronářadí se nesmí přetěžovat. Je třeba používat elektronářadí s výkonem vhodným pro provádění určité práce. Správné elektronářadí umožní lepší a bezpečnější práci se zátěží, na kterou bylo naprojektováno.

- b) Elektronářadí, u kterého nefunguje spínač, se nesmí používat. Každé elektronářadí, které nelze zapínat nebo vypínat spínačem, je nebezpečné a je třeba je opravit.
- c) Před provedením každého seřizení, výměny součástky nebo před skladováním odpojte zástrčku elektronářadí od zdroje elektrického proudu a/nebo odpojte baterii. Takový bezpečnostní postup omezuje riziko náhodného spuštění elektronářadí.
- d) Nepoužívané elektronářadí uchovávejte mimo dosah dětí a nedovolte přístup osobám, které nejsou obeznámené s elektronářadím nebo s tímto návodem na používání elektronářadí. Elektronářadí může být nebezpečné v rukách nevyškolených uživatelů.
- e) Elektronářadí je třeba udržovat. Je třeba kontrolovat souosost nebo zaseknutí pohyblivých částí, praskliny součástí a veškeré další faktory, které by mohly ovlivnit činnost elektronářadí. Pokud zjistíte poškození, musíte elektronářadí před použitím opravit. Příčinou mnohých nehod je neodborná údržba elektronářadí.
- f) Řezací nástroje musí být ostré a čisté. Řádná údržba ostrých hran řezacích nástrojů snižuje pravděpodobnost zaseknutí a usnadňuje obsluhu.
- g) Elektronářadí, vybavení, pracovní nástroje apod. používejte v souladu s tímto návodem, při čemž zohledňujte pracovní podmínky a druh prováděné práce. Používání jiným způsobem, pro který není elektronářadí určeno, může způsobit nebezpečné situace.
- h) V nízkých teplotách, nebo pokud se nářadí po delší dobu nepoužívá, doporučuje se zapnout elektronářadí bez zátěže po dobu několika minut za účelem řádného promazání mechanismu pohonu.
- i) K čištění elektronářadí používejte měkký, vlhký (ne mokrý) hadřík a mýdlo. Nepoužívejte benzín, rozpouštědla a další prostředky, které by mohly poškodit zařízení.
- j) Elektronářadí je třeba skladovat / dopravovat až potom, co se ujistíte, že jsou veškeré jeho pohyblivé součásti zablokované a zajištěné proti odblokování s použitím původních součástek určených k tomuto účelu.
- k) Elektronářadí skladujte na suchém místě chráněném proti prachu a průniku vlhkosti.
- l) Doprava elektronářadí by měla probíhat v původním obalu tak, aby bylo chráněné proti mechanickému použití.



VÝSTRAHA! Všeobecné výstrahy týkající se používání nářadí.

Oprava:

- a) Záruční a pozáruční opravy svého elektronářadí provádí Servis PROFIX, což zaručuje nejvyšší kvalitu oprav a používání původní náhradních dílů.
- b) Pokud by byl pevný přívodní kabel zařízení poškozený, je třeba jej nechat vyměnit u výrobce nebo v odborné opravě, nebo kvalifikovanou osobou, abyste tak zamezili ohrožení.



VÝSTRAHA!

Při práci s elektronářadím vždy dodržujte základní pravidla bezpečnosti práce, abyste zamezili výbuchu požáru, zásahu elektrickým proudem nebo mechanickému úrazu.



VÝSTRAHA! STOLNÍ BRUSKA, podrobné pokyny týkající se bezpečného používání zařízení:

Osobní bezpečnost:



Vždy používejte ochranné brýle.

- a) Elektronářadí je třeba používat výhradně s namontovanými kryty na ochranu proti jiskření. Vytvářené jiskry se mohou stát příčinou poškození zraku, ale také způsobit požár předmětů, které jsou poblíž.
- b) Během práce je třeba kryty proti jiskření spustit dolu tak silně, jak je to jen možné. Při obrábění kovů dochází k jiskření.
- c) Během práce elektronářadí je zakázáno vkládat ruce pod otáčející se brusný kotouč. Může se to stát příčinou závažných úrazů.
- d) Je třeba používat výhradně brusné kotouče, které doporučuje výrobce, s označením stejné nebo vyšší hodnoty rychlosti, jako je rychlost stroje uvedená na firemním štítku zařízení. Skutečnost, že zařízení se dá namontovat na elektronářadí, není zárukou bezpečného použití.
- e) V žádném případě se nesmí používat poškozené nebo znetvořené brusné kotouče. Před každým použitím je třeba zkontrolovat brusné kotouče, zda na nich nejsou odštěpky a praskliny. Pokud by elektronářadí nebo brusný kotouč spadly, je třeba zkontrolovat, jestli se nepoškodil, nebo použít jiný nepoškozený brusný kotouč. Po zkontrolování a upevnění brusného kotouče, je třeba elektronářadí spustit a ponechat zapnuté po dobu jedné minuty na nejvyšších otáčkách, věnujte při tom pozornost, aby se uživatel a další postranní osoby nacházely mimo zónu dosahu otáčejícího se brusného kotouče.
- f) Je třeba pravidelně kontrolovat přístup k podpěře zpracovávaného předmětu. Nastavujte kryt proti jiskřám tak často, jak je potřeba, aby jeho poloha byla přizpůsobená k opotřeбенí brusného kotouče, s dodržением vzdálenosti mezi krytem a brusným kotoučem maximálně 2 mm. V případě větší vzdálenosti je ochrana proti jiskřám nedostatečná. Obráběný předmět může být vtažen během rotačního pohybu brusného kotouče a způsobit úraz.
- g) Je třeba používat ochrannou zástěru. Je třeba věnovat pozornost tomu, abyste nevystavili nikoho nebezpečí způsobenému jiskřením vznikajícím při práci. Je třeba odstranit veškeré hořlavé předměty, které jsou poblíž.
- h) Přípustná rychlost otáček používaného pracovního nástroje nesmí být menší, než je uvedená na elektronářadí maximální rychlost otáček. Pracovní nástroj, který se otáčí s větší rychlostí, než je přípustné, se může zlomit a jeho části mohou být odmrštěny.



VÝSTRAHA! STOLNÍ BRUSKA, podrobné pokyny týkající se bezpečného používání zařízení:

Elektrická bezpečnost:

- a) Je zakázáno používat elektronářadí s poškozenými

elektrickým kabelem. **Nedotýkejte se poškozených kabelů; v případě, že se kabel poškodí během práce, vytáhněte zástrčku ze zásuvky.** Poškozené kabely zvyšují riziko zásahu elektrickým proudem.

- b) **Elektronářadí je třeba napojit na správně uzemněný zdroj elektriny.** Síťová zásuvka a prodlužovací kabel musí mít správně fungující ochranný uzemňující vodič síťového systému.
- c) **Bruska je vybavená neodpojitelným vodičem napájení.** Pokud se neodpojitelný kabel napájení poškodí, musí být zastoupený speciálním vodičem nebo systémem doporučeným výrobcem nebo v odborném servisu.



VÝSTRAHA! STOLNÍ BRUSKA, všeobecné výstrahy týkající se bezpečnosti:

- a) **Materiál určený ke zpracování je třeba přiložit k zapnutému elektronářadí. Elektronářadí lze vypnout teprve po zdvžení obráběného materiálu.** Obráběný materiál se může prudce pohybovat.
- b) **Je zakázáno přikládat zpracovávaný prvek k boční straně otáčejícího se brusného kotouče. Brousit je třeba vždy tak, že ho posunujeme dopředu.** Obráběný předmět může být během rotačního pohybu brusného kotouče vytržen z ruky a způsobit zranění.
- c) **Brusku je třeba připevnit s použitím šroubu pečlivě ke stolu nebo ke stabilnímu podkladu, tak, aby bylo znemožněno nekontrolované přemísťování zařízení a minimalizované vibrace vyvolávané zařízením.**
- d) **Brusné nástroje je třeba před každým použitím kontrolovat. Brusné nástroje musí být řádně upevněny a musí se volně otáčet. Proveďte zkušební broušení bez zátěže s nejvyššími otáčkami po dobu min jedné minuty. Nepoužívejte poškozené, zkřivené nebo vibrující brusné nástroje. Poškozené brusné nástroje se mohou zlomit a způsobit závažná zranění.**
- e) **V žádném případě taková zařízení nemohou obsluhovat děti.**

URČENÍ BRUSKY:

Stolní bruska je určena na hrubé i přesné broušení, s použitím brusného kotouče a za sucha kovu, umělé hmoty a jiných materiálů.

Zařízení bylo navrženo hlavně na drobné brusičské práce, jako je: zpracování a broušení nožů, nůžek, vrtáků, truhlářských a kamenářských dlatí, sekáčů apod.

Je kategoricky vyloučeno využívat zařízení k jakýmkoliv jiným účtům.

Stroj není vhodný na dlouhodobou práci v těžkých podmínkách. Nářadí se nesmí používat k provádění prací vyžadujících použití profesionálního zařízení.

Každé použití zařízení jinak, než to vyplývá z jeho výše uvedeného určení, je zakázané, způsobuje ztrátu záruky a osvobozuje výrobce od odpovědnosti za takto způsobené škody.

Jakékoliv úpravy zařízení prováděné uživatelem osvobozuje výrobce od odpovědnosti za poškození a škody způsobené uživateli a v okolí.

Správné používání elektronářadí se týká také údržby, skladování, dopravy a oprav.

Elektronářadí mohou opravovat pouze servisní opravny určené výrobcem. Zařízení, které je napájeno ze sítě, by měly opravovat pouze osoby, které jsou k tomuto oprávněny.

I při používání nářadí v souladu s jeho určením nelze zcela eliminovat

určité rizikové faktory. Vzhledem ke konstrukci a stavbě stroje se mohou vyskytnout následující ohrožení:

- **Dotek brusky v nekrytém místě brusného kotouče.**
- **Odhoz zpětným rázem poškozených částí brusných kotoučů.**
- **Odmrštění obráběného předmětu nebo jeho části.**
- **Poškození sluchu v případě nepoužívání nezbytné ochrany sluchu.**
- **Prasknutí / zlomení brusného kotouče.**
- **Zdraví škodlivé emise prachu v případě provádění prací v uzavřených prostorách.**

KOMPLETACE:

- Stolní bruska – 1 ks.
- Brusný kotouč hrubozrný – 1 ks.
- Brusný kotouč drobnozrný – 1 ks.
- Kryty proti jiskření s upevňujícími prvky – 2 ks.
- Podpěry zpracovávaného předmětu s upevňujícími prvky – 2 ks.
- Návod na obsluhu – 1 ks.
- Záruční list – 1 ks.

STAVBA STROJE:

Stolní bruska je poháněná jednofázovým komutátorovým elektromotorem a je to zařízení první třídy – zástrčka a prodlužovací kabel musí mít správný vodič uzemnění.

Konstrukce brusky je znázorněna na obr. A-C na str. 2:

Obr.A: 1. Vypínač

2. Motýlková matice
3. Podpěra obráběného předmětu
4. Brusný kotouč
5. Kryt proti jiskření
6. Upevnění krytu proti jiskření
7. Otvory na namontování základny

Obr.C: 8. Upevňující šrouby

9. Boční kryt
10. Upevňující matice
11. Přítlačná manžeta
12. Papirová podložka
13. Vřeten
14. Kryt brusného kotouče

TECHNICKÉ ÚDAJE:

Jmenovité napětí	230 V
Jmenovitý kmitočet	50 Hz
Odebíraný výkon	200 W
Max. rychlost otáček bez zátěže	2950 obr/min
Rozměry brusných kotoučů (max. průměr x tloušťka x ø otvoru)	150 x 16 x 12,7mm
Zrntost brusných kotoučů 1/2	36/60
Obvodová rychlost brusného kotouče bez zátěže	23 m/s
Pracovní cyklus	52 30 min
Třída ochrany	I
Hmotnost	8,5 kg
Hladina akustického tlaku (LpA)	62,6 dB(A), ±3dB(A)
Hladina akustického výkonu (LwA)	75,6 dB(A), ±3dB(A)

52.30 min. – občasná práce, jmenovitá pracovní doba 30 min.

POZOR! Po 30 min. práce se stálou zátěží je třeba činnost přerušit a počkat až bruska zcela zchladne.

PŘÍPRAVA NA PRÁCI:

Po rozbalení zkontrolujte, zda je zařízení kompletní a nasadte nenamontované prvky v souladu s návodem.

POZOR: Před provedením jakékoliv montáže nebo nastavení se přesvědčte, že je zařízení odpojeno od přívodu elektrického proudu.

■ Umístění brusky

Abyste zajistili bezpečný provoz, musíte brusku upevnit vždy na plochem a stabilním povrchu (např. na dilenském stole).

Postavte brusku na stabilní rovný podklad (stůl) na místě umožňujícím neomezeně a bezpečně pracovat. S využitím otvorů pro montáž základny (7) přišroubujte brusku pevně ke stolu čtyřmi vhodnými upevňujícími šrouby. Délka šroubů závisí na tloušťce stolu.

■ Namontování podpěr zpracovávaného předmětu

Podpěry zpracovávaného předmětu (3) namontujte podle obr. A1, str.2.

Odstup mezi brusným kotoučem (4) a podpěrou zpracovávaného předmětu (3) může být max. 2 mm a musí se pravidelně nastavovat na tu hodnotu (viz: obr. B, str.2).

POZOR: Nastavení podpěr se musí provádět, když je brusný kotouč nehybný.

Pokud je brusný kotouč tak silně opotřebován, že se už nedá nastavit podpěra zpracovávaného předmětu na požadovanou hodnotu, je třeba brusný kotouč vyměnit.

■ Namontování krytů proti jiskření

Kryty proti jiskření (5) namontujte v souladu s obr. A2, str.2.

Odstup mezi brusným kotoučem (4) a upevněním krytu proti jiskření (6) může být max. 2 mm a musí se pravidelně nastavovat na tuto hodnotu (viz: obr. B, str.2).

POZOR: Nastavení odstupu se musí provádět, když je brusný kotouč nehybný.

■ Výměna brusných kotoučů

POZOR: Chraňte brusné kotouče proti spadnutí, úderu a zašpinění mazivem. Zakazuje se používat zařízení s poškozenými brusnými kotouči a v nesouladu se specifikací. Před výměnou brusného kotouče je třeba si vždy ověřit její stav a důkladně si ji prohlédnout.

Kontrola brusných kotoučů spočívá ve „zvukové“ zkoušce. Otáčme brusným kotoučem umístěným na dřevěném prutu a zároveň jej poklepáváme dřevěným kládívkem, týká se to obou stran a míst v různé vzdálenosti od otvoru:

a) čistý kovový zvuk: brusný kotouč není prasknutý – lze kotouč používat.

b) bzučivý a rychle tichnoucí zvuk: brusný kotouč je prasklý – je zakázané jej používat, jelikož vytváří nebezpečí pro uživatele.

Pro výměnu brusného kotouče (4) je třeba s použitím šroubováku Ph2 a plochého klíče M8 odšroubovat 3 upevňující šrouby (8) a sundejte boční kryt (9) (viz: obr. C, str.2). Povolte upevňující matici (10) s použitím plochého klíče M19 (**POZOR:** Levý brusný kotouč je připevněn s použitím levotočivého závitů, pravý kotouč a použitím pravotočivého), z opačné strany přidržujte matici upevňující přítláčnou manžetu.

Následně sundejte přítláčný kotouč (11), papírovou podložku (12) a brusný kotouč z vřetena (13). Nyní lze vyměnit brusný kotouč. Montáž

probíhá v opačném pořadí. Přítláčné manžety musí být otočené prohnutou stranou k brusnému kotouči.

POZOR: Po výměně brusného kotouče by měl pracovat bez zátěže minimálně 1 minutu.

PŘED ZAČÁTKEM PRÁCE:

1. Ujistěte se, že zdroj napájení má parametry, které odpovídají parametrům zařízení, uvedeným na firemním štítku.
2. Ujistěte se, že vypínač zařízení (1) je v poloze vypnutu.
3. V případě práce s prodlužovačkou se ujistěte, že parametry prodlužovačky, průměry kabelů, odpovídají parametrům nářadí. Doporučujeme použití co nejkratší prodlužovačky. Prodlužovačka by měla být zcela rozvinutá.
4. Před zahájením práce je třeba zkontrolovat upevnění brusky a věnovat pozornost tomu, aby se brusné kotouče volně otáčely.

PRÁCE:

■ Zapínání/vypínání

Za účelem zapnutí nastavte vypínač (1) do polohy I.

Za účelem vypnutí nastavte vypínač (1) do polohy 0.

POZOR: Po každé výměně a před zahájením broušení by měl brusný kotouč pracovat bez zátěže minimálně 1 minutu.

■ Broušení

Broušený prvek opěte na podpěrci zpracovávaného předmětu (3) a lehce přitlačte k brusnému kotouči (4). Za účelem dosažení optimálního brusného efektu ohybujte zpracovávaným prvkem a zpět. Tím způsobem zajistíte také rovnoměrné opotřebované brusného kotouče. Věnujte pozornost tomu, že během broušení se zpracovávaný předmět silně zahřívá. Z toho důvodu je třeba jednou za čas zchladit zpracovávaný předmět ponořením do studené vody.

Během procesu broušení procesu ztrácí brusný kotouč své brusné schopnosti, to znamená, že se obroušeným materiálem ucpávají póry a ztrácí kruhový tvar. Na ošetření pracovní plochy a vracení kruhového tvaru doporučujeme orovnávače – diamantové nebo jiného typu.

VÝSTRAHA: Prach některých materiálů, například malířských povrchů, s obsahem olova, některých druhů dřeva, minerálů nebo některých druhů kovu, by mohl být ohrožením pro zdraví. Bezprostřední fyzický kontakt s prachem nebo jeho průnik do plic může způsobit alergické reakce a/nebo nemoci dýchacího ústrojí obsluhy nebo osob, které jsou v blízkosti. Některá dřeva, např. z dubového nebo bukového dřeva se považují za karcinogenní, především ve spojení s látkami používanými na zpracování dřeva (chromany, impregnační látky). Materiály, obsahující azbest mohou obrábět pouze příslušné vyškolené osoby.

– Je třeba vždy pečovat o dobré větrání pracoviště.

– Doporučuje se používat respirátor proti prachu.

Je třeba se přizpůsobit platným a dané zemi předpisům, které upravují pravidla zacházení s materiály určenými na obrábění.

SKLADOVÁNÍ A ÚDRŽBA:

Stroj v podstatě nevyžaduje zvláštní údržbu. Nářadí skladujte na místě, které není přístupné dětem, udržujte jej čisté, chraňte před vlhkem a zaprášením. Podmínky skladování by měly vylučovat možnost mechanického poškození nářadí a minimalizovat vliv škodlivých povětrnostních podmínek.

Toto zařízení vyhovuje vnitrostátním i evropským normám a bezpečnostním požadavkům. Veškeré opravy musí provádět kvalifikovaní odborníci, s použitím původních náhradních dílů.

OCHRANA ŽIVOTNÍHO PROSTŘEDÍ:



POZOR: Zobrazený symbol znamená zákaz likvidace zařízení dohromady s jinými odpady (na porušení zákazu se vztahuje pokuta). Nebezpečné složky, které se nacházejí v elektrickém a elektrotechnickém vybavení mají negativní vliv na životní prostředí a lidské zdraví.

Domácnosti by se měly zapojit do získávání zpět a opětovného využívání (recyklace) starých elektrospotřebičů. V Polsku a v Evropě se tvoří nebo už existuje systém sběru elektroodpadu, v rámci kterého mají všechna prodejní místa elektrospotřebičů povinnost přijímat elektroodpad. Kromě toho existují sběrná místa pro elektroodpad.

VÝROBCE:

PROFIX s.r.o.;

ul. Marywilska 34,

03-228 Varšava, Polsko

PIKTOGRAMY:

Vysvětlení ikon, které mohou být umístěny na firemním štítku a na informačních nálepkách na zařízení:



– «Před spuštěním zařízení si přečtěte návod na obsluhu»



– «Během broušení používejte ochranu očí»



– «Používejte respirační masku»



– «Během broušení používejte ochranu sluchu»



Politika firmy PROFIX je politikou průběžného zdokonalování výrobků, z toho důvodu si firma vyhrazuje právo změnit specifikaci výrobku bez předchozího informování. Obrázky, uvedené v návodu na obsluhu, jsou pouze příklady a mohou se lišit od skutečného vzhledu zakoupeného zařízení.

Tento návod je chráněn autorským zákonem. Jeho kopírování / rozmožování bez písemného souhlasu společnosti PROFIX s.r.o. je zakázané.

**PRIEŠ RADEKANT DARBĄ SUSIPAŽINKITE SU INSTRUKCIJA.**

Išsaugokite instrukciją, nes gali būti reikalinga vėliau.



ĮSPĖJIMAS! Prašome perskaityti visus įspėjimus dėl saugaus naudojimo pažymėtus simboliais ⚠ bei visas nuorodas dėl saugaus naudojimo.

Žemiau pateikiamų įspėjimų dėl saugos bei saugos nuorodų nesilaikymas gali būti elektros smūgio, gaisro ir/arba sunkių kūno sužalojimų priežastimi.

Išsaugokite visus įspėjimus ir visas saugos nuorodas, kad vėliau būtų galima jais pasinaudoti.

Žemiau pateiktuose įspėjimuose sąvoka „elektros prietaisas“ apibūdina elektros prietaisą maitinamą elektros energija iš elektros tinklo (maitinimo laidas) arba elektros prietaisą maitinamą akumuliatoriumi (belaidis).



ĮSPĖJIMAS! Bendri įspėjimai dėl saugaus įrankio naudojimo.

Sauga darbo vietoje:

- Darbo vietoje turi būti švaru, tvarkinga bei geras apšvietimas.**
Netvarka bei netinkamas darbo vietos apšvietimas gali būti nelaimingų atsitikimų priežastimi.
- Nenaudoti elektros prietaiso sprogoje aplinkoje, kurioje yra degūs skysčiai, degios dujos arba dulkės.** *Elektros prietaiso darbo metu susidaro elektros kibirkštis, todėl gali uždegti esantis aplinkoje garai.*
- Darbo vietoje negali būti vaikai bei pašaliniai.** *Dėmesio nukreipimas gali būti elektros prietaiso valdymo praradimo priežastimi.*



ĮSPĖJIMAS! Bendri įspėjimai dėl saugaus įrankio naudojimo.

Elektros sauga:

- Elektros prietaisų kištukai turi atitikti elektros lizdo tipui.** Jokiu būdu negalima keisti kištuko. Jeigu elektros prietaisas turi įžeminimą, negalima naudoti ilgtintuvo. *Originalių kištukų bei lizdų naudojimas sumažina elektros smūgio riziką.*
- Nenuklijuokite kūno kontakto su žemintais paviršiais, tokiais kaip vamzdžiai, šildytuvai, centrinio šildymo radiatoriai bei šaldytuvais.** *Kontaktas su žemintais paviršiais didina elektros smūgio pavojų.*
- Saugokite prietaisą nuo lietaus ir drėgmės.** *Jeigu vanduo patenka į elektros prietaisą, padidėja elektros smūgio rizika.*
- Nenaudokite laidų ne pagal paskirtį.** *Neneškite įrenginio paėmę už laido, netraukite už jo norėdami išjungti kištuką iš elektros lizdo. Laidą klokite taip, kad jo neveiktų karštis, jis neišsistėtų alyva ir jo nepažeistų aštrios detalės ar judantios prietaiso dalys. Pažeistas laidas gali tapti elektros smūgio priežastimi.*
- Jeigu elektros prietaisas yra naudojamas lauke, laido prailginimui naudokite tik specialiai tam skirtus prailgintuvus.** *Prailgintuvų skirtų darbui lauke naudojimas sumažina elektros smūgio riziką.*
- Įrankį rekomenduojama jungti į elektros maitinimo tinklą, turintį likutinės srovės įrenginį (RCD), kurio išjungimo srovė**

yra 30 mA arba mažesnė.

- Jeigu negalima išvengti elektros prietaiso naudojimo drėgnoje aplinkoje, naudokite RCD įrenginį.** *RCD įrenginio naudojimas sumažina elektros smūgio riziką.*



ĮSPĖJIMAS! Bendri įspėjimai dėl saugaus įrankio naudojimo.

Žmonių sauga:

- Prietaisu negali naudotis asmenys (tame tarpe vaikai) turintys fizinius, jutimo arba psichinius negalavimus, taip pat asmenys neturintys darbo patirties arba nesusipažinę su prietaisu, nebent toks darbas vyksta stebint specialistui arba pagal prietaiso naudojimo instrukciją, kurį buvo perduota asmeniui atsakingu už saugą.**
- Būkite atidūs, sutelkite dėmesį į tai, ką Jūs darote ir, dirbdami su elektros prietaisu, vadovaukitės sveiku protu.** *Nedirbkite su prietaisu, jei esate pavargę arba vartojote narkotikus, alkoholio ar medikamentus. Akimirksniu neatidumas naudojant prietaisą gali tapti rimtu sužalojimų priežastimi.*
- Dėvėkite tinkamą aprangą.** *Nešiokite apsauginius akinius. Apsauginės aprangos, tokios kaip dulkių kaukė, neslystantis apsauginiai batai, šalmas, asinės, naudojimas sumažina sužalojimų grėsmę.*
- Saugokitės, kad neįjungtumėte prietaiso atsitiktinai.** *Prieš įjungiant kištuką į elektros lizdą ir/arba prieš akumuliatoriaus įjungimą bei prieš paimant arba pernešant prietaisą įsitinkinkite, kad prietaisas yra išjungtas. Prietaiso pernešimas su pirštu ant jungiklio arba prietaiso įjungimas į maitinimo tinklą gali tapti nelaiminga atsitikimo priežastimi.*
- Prieš įjungdami prietaisą pašalinkite raktus.** *Prietaiso besisukančioje dalyje esantis įrankis ar raktas gali tapti sužalojimų priežastimi.*
- Nepasilenkite pelynyje į priekį.** *Dirbdami atsistokite patikimai ir visada išlaikykite pusiausvyrą. Patikima stovėseną ir tinkama kūno laikysena leis geriau kontroliuoti prietaisą netikėtose situacijose.*
- Dėvėkite tinkamą aprangą.** *Nedėvėkite plačių drabužių ir papuošalų. Saugokitės plaukus, drabužius ir pirštines nuo besisukančių prietaiso dalių. Laisvus drabužius, papuošalus bei ilgus plaukus gali įtraukti besisukančios prietaiso dalys.*
- Jeigu įrenginiai yra pritaikyti prijungimui prie dulkių nusiurbimo ir dulkių surinkėjo, įsitinkinkite, kad šie įrenginiai tinkamai prijungti ir panaudoti pagal paskirtį.** *Dulkių surinkėjų panaudojimas sumažina dulkių poveikio pasekmes.*



ĮSPĖJIMAS! Bendri įspėjimai dėl saugaus įrankio naudojimo.

Rūpestinga elektros prietaisų priežiūra ir naudojimas:

- Neperkraukite prietaiso.** *Naudojamo prietaiso galingumas turi atitikti atliekamam darbui. Tinkamai parinktas elektros prietaisas leis atlikti darbą gerai ir saugiai.*
- Nenaudokite elektros prietaiso su sugedusiu jungikliu.** *Elektros prietaisas, kurio nebegalima įjungti ar išjungti, yra pavojingas ir jį reikia remontuoti.*

- c) Prieš reguliuodami prietaisą, keisdami darbo įrankius arba prieš sandėliavimą ištraukite kištuką iš elektros lizdo ir/ arba atjunkite akumuliatorių. Ši saugumo priemonė apsaugos jus nuo netikėto prietaisų įsijungimo.
- d) Nenaudojamą prietaisą sandėliuokite vaikams ir nemokantiems juo naudotis arba nesupažinusiems su instrukcija asmenims neprieinamoje vietoje. Elektriniai įrankiai yra pavojingi, kai juos naudoja nepatyrę asmenys.
- e) rūpestingai prižiūrėkite prietaisą. Patikrinkite, ar besisukančios prietaiso dalys tinkamai veikia ir niekur nekliūva, ar nėra sulūžusių ar šiaip pažeistų dalių, kurios įtakotų elektros prietaiso veikimą. Jeigu yra gedimai suremontuokite prietaisą. Daugelio nelaimingų atsitikimų priežastis yra blogai prižiūrimi elektros prietaisai.
- f) Pjovimo įrankiai turi būti aštrūs ir svarūs. Rūpestingai prižiūrėti elektros prietaisai su aštriais pjovimo įrankiais yra lengviau valdomi ir juos geriau kontroliuoti.
- g) Elektros prietaisą, papildomus įrankius, darbo įrankius ir t.t. naudokite tik pagal instrukciją, turėdami omeny darbo sąlygas bei atliekamo darbo pobūdį. Elektros prietaiso naudojimas ne pagal paskirtį gali sukelti pavojingas situacijas.
- h) Jeigu prietaisas nebuvo naudojamas ilgesnį laiką arba yra naudojamas žemos temperatūros sąlygose, įjunkite jį keliomis minutėms be apkrovos tam, kad tepalas tinkamai pasiskirstytų pavaros mechanizme.
- i) Elektros prietaisus valykite minkštu, drėgnu (ne šlapiu) skuduru ir muilu. Nenaudokite benzino, tirpiklių bei kitų priemonių galinčių pažeisti prietaisą.
- j) Elektros prietaisą laikykite/transportuokite tik po to, kai įsitikinsite, kad jo visos besisukančios dalys yra užblokuotos ir saugomos originaliomis, specialiai tam skirtomis detalėmis.
- k) Elektros prietaisą laikykite sausoje, apsaugotoje nuo dulkių bei drėgmės vietoje.
- l) Elektros prietaisą transportuokite originalioje pakuotėje, saugančioje nuo mechaninių pažeidimų.



ĮSPĖJIMAS! Bendri įspėjimai dėl saugaus įrankio naudojimo.

Remontas:

- a) Garantinį ir pogarantinį elektros įrankių remontą atlieka PROFIX servisas, todėl garantuojama aukščiausia remonto darbų kokybė bei originalios atsarginės dalys.
- b) Jeigu sugedo elektros prietaiso laidas, jį pakeisti galima pas gamintoją, specializuotame remonto punkte arba gali tai atlikti specialistas tam, kad išvengtumėte pavojaus.



ĮSPĖJIMAS!

Darbo su elektros prietaisu metu laikykitės pagrindinių saugaus darbo nuorodų. Tokiu būdu išvengsite gaisro, elektros smūgio bei mechaninių susižalojimų pavojaus.



ĮSPĖJIMAS!

STALINĖS ŠLIFAVIMO STAKLĖS, įspėjimai dėl saugaus įrankio naudojimo.

Žmonių sauga:



Visada dėvėkite apsauginius akinius.

- a) Elektrinis įrankis turi būti naudojamas tik su apsauginiais gaubtais, saugančiais nuo kibirkščių. Susidarančios kibirkštys gali sužaloti akis, arba sukelti gaisrą.
- b) Darbo metu apsauginius gaubtus nukeikite iki galo. Metalu apdirbimo metu susidaro kibirkštys.
- c) Darbo metu rankas laikykite atokiau nuo besisukančio abrazyvinio šlifavimo disko. Tai gali sukelti rimtus kūno sužalojimus.
- d) Naudokite tik gamintojo rekomenduojamus abrazyvinius šlifavimo diskus, kurių pažymėtas greitis yra toks pat arba didesnis nei nurodytas firminėje įrankio duomenų lentelėje. Faktas, kad priedą galima užmontuoti ant elektrinio įrankio nėra jo saugaus naudojimo garantija.
- e) Nenaudokite sudilusių arba deformuotų abrazyvinių šlifavimo diskų. Prieš kiekvieną naudojimą, patikrinkite ar nėra atplaišų ir įtrūkimų. Jei elektrinis įrankis arba darbo priedas nukrito, patikrinkite ar nesugedo, arba pasinaudokite kitu nesugadintu įrankiu. Po to, kai šlifavimo diskas buvo patikrintas ir pritvirtintas, paleiskite įrankį pilnu greičiu i palikite įjungta vieną minutę. Atkreipkite dėmesį, ar besisukančio įrankio zonoje nėra pašalinių asmenų.
- f) Reguliariai tikrinkite ar yra gerą prieigą prie ruošinio atramos. Apsauginį gaubtą nustatykite taip, kad jo padėtis atitiktų abrazyvinio šlifavimo disko skersmenį, išlaikant ne didesnę nei 2 mm tarpą tarp gaubto ir disko. Jei tarpas yra didesnis, apsauga nuo kibirkščių nėra pakankama. Ruošinis gali būti įtrauktas rotacinio disko sukimosi metu bei sukelti sužalojimus.
- g) Dėvėkite darbo prijuostę. Atkreipkite dėmesį ar susidarančios kibirkštys niekam nekelia pavojaus. Pašalinkite visas degias medžiagas, esančias netoliese.
- h) Leistinas apsučių greitis negali būti mažesnis nei nurodyta elektrinio įrankio duomenų lentelėje. Darbo įrankis, besisukančias didesniu nei leistinas greičiu gali lūžti, arba gali atšokti jo skeveldros.



ĮSPĖJIMAS! STALINĖS ŠLIFAVIMO STAKLĖS, įspėjimai dėl saugaus įrankio naudojimo.

Elektros sauga:

- a) Draudžiama naudotis prietaisu, jeigu jo maitinimo laidas yra pažeistas. Jeigu laidas yra pažeistas, jokių būdu neleskite jo; jeigu laidas yra pažeidžiamas darbo metu, iš karto ištraukite jo kištuką iš elektros lizdo. Pažeistas maitinimo laidas gali būti elektros smūgio priežastimi.
- b) Elektrinis įrankis turi būti pajungtas prie tinkamai įžeminto maitinimo šaltinio. Elektros lizdas bei ilgintuvas turi turėti tinkamai veikiantį apsauginį įžemimo laidą.
- c) Šlifavimo staklės turi pastovų maitinimo laidą. Jei maitinimo laidas yra pažeistas, jis turi būti pakeistas specialiu laidu arba rinkinių, kuris yra teikiamas gamintoju arba specializuotame aptarnavimo centre.



ĮSPĖJIMAS!

STALINĖS ŠLIFAVIMO STAKLĖS, bendros saugos nuorodos:

- a) Ruošini pridėkite prie įjungto elektrinio įrankio. Elektrinį įrankį išjungti galima tik po to, kai ruošinis yra pakeltas. Ruošinio negalima judinti labai greitai.
- b) Ruošinio negalima pridėti prie besisukančio abrazyvinio

šlifavimo disko šono. Šlifukite pridedami ruošinį visada iš priekio. Ruošinis disko rotacinio judėjimo metu gali būti išmestas iš rankos bei sukelti sužalojimus.

- c) Šlifavimo staklės turi būti pritvirtintos prie darbinio stalo arba kito stabilaus paviršiaus varžtais, kad įrankis nejudėtų bei tam, kad sumažinti jo vibraciją.
- d) Šlifavimo įrankius tikrinkite prieš kiekvieną naudojimą. Šlifavimo įrankis turi būti tinkamai pritvirtintas bei turi laisvai sukstis. Atlikite bandomąjį paleidimą be apkrovos maksimaliu greičiu, ne mažiau nei vieną minutę. Nenaudokite sudilusių, nelygių arba vibruojančių šlifavimo įrankių. Pažeisti šlifavimo įrankiai gali sulūžti ir sukelti rimtus sužalojimus.
- e) Prietaisu negali naudotis vaikai.

ŠLIFAVIMO STAKLIŲ PASKIRTIS:

Stalinės šlifavimo staklės yra skirtos parengiamajam ir tiksliam metalo, plastiko bei kitų medžiagų sausam šlifavimui (šlifavimo diskai turi atitikti medžiagos tipą).

Įrenginys visų pirma yra skirtas smulkiems šlifavimo darbams, pvz. peilių, žirklių, kaltų, skaptų ir t. t. apdirbimui bei galandimui.

Jokiu būdu negalima naudoti prietaiso kitais tikslais.

Kiekvienas elektros prietaiso panaudojimas ne pagal paskirtį sukelia garantijos praradimą bei gamintojas tokiu atveju nėra atsakingas už patirtas žalias.

Bet kokios prietaiso modifikacijos padarytos naudotoju atleidžia gamintoją nuo atsakomybės už žalias patirtas tokiu atveju naudotoju bei aplinkiniams.

Tinkamas naudojimas taip pat apima tinkama elektros prietaiso priežiūrą, sandėliavimą, transportavimą bei remontą.

Elektros prietaiso remontą galima atlikti tik specialiuose punktuose nurodytuose gamintoju. Prietaisų, maitinamų elektra remontą gali atlikti tik įgalioti asmenys.

Nepaisant tinkamo prietaiso naudojimo negalima visiškai išvengti rizikos. Galimi rizikos atvejai:

- Prislėptimas prie abrazyvinio šlifavimo disko neapsaugotoje disko dalyje.
- Veikiamas išcentrinės jėgos išmetamos pažeistų abrazyvinių šlifavimo diskų dalys.
- Ruošinio arba jo dalių atitranka.
- Uszkodzenia słuchu w wypadku niestosowania słuchawek ochronnych.
- Disko plyšis/lūžis.
- Kenksmingų dulkių susidarymas dirbant uždarose patalpose.

KOMPLEKTAVIMAS:

- Stalinės šlifavimo staklės - 1 vnt.
- Daugiagrūdis šlifavimo diskas - 1 vnt.
- Smulkiagrūdis šlifavimo diskas - 1 vnt.
- Apsauginiai gaubtai ir jų tvirtinimo elementai - 2 vnt.
- Ruošinio atramosjų tvirtinimo elementai - 2 vnt.
- Naudojimo instrukcija - 1 vnt.
- Garantijos lapas - 1 vnt.

PRIETAISO SANDARA:

Stalinės šlifavimo staklės tai pirmos klasės įrenginys (lizdas ir kabelis turi būti įžeminti) varomas vienfaziu varikliu.

Stalinių šlifavimo staklių sandara yra parodyta pav. A-C2 puslapyje:

- Pav.A:**
1. Jungiklis
 2. Veržlė su sparneliais
 3. Ruošinio atrama
 4. Abrazyvinis diskas
 5. Apsauginis gaubtas
 6. Apsauginio gaubto tvirtinimo elementai
 7. Pado montavimo angos
- Pav.C:**
8. Tvirtinimo varžtai
 9. Soninis gaubtas
 10. Tvirtinimo veržlė
 11. Priveržimo jungė
 12. Popierinis tarpiklis
 13. Velenas
 14. Abrazyvinio disko gaubtas

TECHNINIAI DUOMENYS:

Nominali įtampa	230 V
Nominalus dažnis	50 Hz
Nominalus pajėgumas	200 W
Maks. sukimosi greitis be apkrovos	2950/min
Abrazyvinių diskų matmenys (maksimalus diskas x storis x angos Ø)	150 x 16 x 12,7mm
Diskų grūdėtumas 1/2	36/60
Disko apskukų greitis be apkrovos	23 m/s
Darbinis ciklas	52 30 min
Prietaiso klasė	I
Masė	8,5 kg
Akustinio slėgio lygis (LpA)	62,6 dB(A), ±3dB(A)
Akustinio pajėgumo lygis (LwA)	75,6 dB(A), ±3dB(A)

S2 30 min – darbas su pertraukomis, nominalus darbo laikas 30 min.

DĖMESIO! Po 30 minučių darbo su pastovia apkrova sustabdykite darbą ir palaukite kol įrankis atvės.

PARUOŠIMAS DARBUI:

Išpakuokite ir patikrinkite ar yra visos įrenginio dalys ir sudėkite neužmontuotus elementus, laikantis instrukcijos nurodymų.

DĖMESIO: Prieš atlikdami bet kokius montavimo arba reguliavimo darbus įsitikinkite, kad įrenginys yra atjungtas nuo elektros tinklo.

■ Šlifavimo staklių montavimo vieta

Šlifavimo staklės turi būti montuojamos lygiame, stabiliam darbiniam paviršiuje (pvz. ant darbinio stalo).

Šlifavimo staklės pastatykite stabiliam, horizontaliam paviršiuje (ant stalo), vietoje, kurioje galima saugiai ir laisvai dirbti. Naudokite pado tvirtinimo angas (7) ir prisukite staklės 4 varžtais prie stalo. Varžtų ilgis priklausys nuo stalo storio.

■ Ruošinio atramų montavimas

Ruošinio atramos (3) užmontuokite, kaip yra nurodyta pav. A1, p.2.

Atstumas tarp disko (4) ir atramos (3) turi būti ne mažesnis kaip 2 mm ir

turi būti reguliariai tikrinamas bei nustatomas (žiūrėk: pieš. B, p.2).

DĖMESIO: *Atamos nustatymą galima atlikti tik, kai diskas nejuda.*

Jei abrazyvinio diskas susidėvėjo taip, kad atramos jau negalima tinkamai nustatyti, būtina pakeisti diską.

■ Apsauginių gaubtų montavimas

Apsauginių gaubtų (5) užmontuokite, kaip yra nurodyta pav. A2, p.2.

Atstumas tarp disko (4) ir apsauginio gaubto tvirtinimo (6) turi būti ne mažesnis kaip 2 mm ir turi būti reguliariai tikrinamas bei nustatomas (žiūrėk: pieš. B, p.2).

DĖMESIO: *Atstumo nustatymą galima atlikti tik, kai diskas nejuda.*

■ Abrazyvinių diskų keitimas

DĖMESIO: *Saugoti diskus nuo kritimų, smūgių ir tepalų. Draudžiama dirbti įrankių su gedusiais abrazyviniais diskais arba neatitinkančiais specifikacija. Prieš disko keitimą, būtina patikrinti jo būklę.*

Abrazyvinių diskų patikrinimas atliekamas „pagal skambesį“. Diską pakabinkite ant medinės lazdelės ir pasukite jį, tuo pačiu metu mediniu plaktuku muškite į diską (liečia tai abiejų disko pusių bei įvairių atstumų angos atžvilgiu):

- a) grynas, metalinis skambėjimas: nėra plyšių – galima naudoti.
- b) neskambus, duslus ir greitai išnykstantis skambėjimas: yra plyšiai – negalima naudotis, nes kyla pavojus dirbančiajam.

Norėdami pakeisti abrazyvinį diską (4) sukturnu Ph2 ir plokščiu raktu M8 atsukite 3 tvirtinimo varžtus (8) ir nuimkite šoninį gaubtą (9) (žr. pav. C, p.2). Plokščiu raktu M19, prilaikydami iš kitos pusės priveržimo jungės veržlę, atlaisvinkite tvirtinimo veržlę (10). (**DĖMESIO:** *Kairysis abrazyvinio šlifavimo diskas priveržtas kairiuoju sriegiu, dešininis – dešiniuoju.*) Nuimkite priveržimo jungę (11), popierinį tarpiklį (12) ir abrazyvinį diską nuo veleno (13). Pakeiskite diską. Montavimą atlikite atbuline eiga. Priveržimo jungių įgaubtą pusę turi būti nukreiptos į disko pusę.

DĖMESIO: *Pakeitus diską įjunkite įrankį 1 minutei be apkrovos.*

PRZED PRZYSTĄPIENIEM DO PRACY:

1. Patikrinti, ar maitinimo parametrai atitinka gamyklinėje lentelėje nurodytus šlifukolio parametrus.
2. Patikrinti, ar šlifukolio jungiklis (1) yra išjungimo pozicijoje.
3. Naudojant ilgtintuvą privaloma patikrinti, ar ilgtintuvo parametrai, laidų pjūviai atitinka šlifukolio parametrus. Rekomenduojama naudoti kuo trumpiausius ilgtintuvus. Ilgtintuvus turi būti visiškai išvyniotas.
4. Prieš pradėdami darbą, patikrinkite šlifavimo staklių tvirtinimą ir atkreipkite dėmesį ar diskai juda laisvai.

DARBAS:

■ Įjungimas/išjungimas

Norėdami įjungti jungiklį (1) nustatykite I padėtyje.

Norėdami išjungti jungiklį (1) nustatykite 0 padėtyje.

DĖMESIO: *Po kiekvieno keitimo bei prieš atlikdami šlifavimo darbus įjunkite prietaisą 1 minutei be apkrovos.*

■ Šlifavimas

Ruošinį atremkite ant atramos (3) ir prispauskite prie abrazyvinio disko (4). Norėdami užtikrinti optimalų rezultatą, stumkite ruošinį pirmyn ir atgal. Tokiu būdu taip pat disko paviršius susidėvi tolygiai. Atkreipkite dėmesį, kad šlifavimo metu ruošinis įkaista. Todėl ruošinį būtina

atvėsinti laikas nuo laiko šaltame vandenyje.

Šlifavimo metu abrazyvinis diskas susidėvi bei praranda savo savybes, t.y. jos poros „užsikimša“ ir diskas praranda darbo rezultatų efektyvumą. Diskų valymui rekomenduojame naudoti deimantines nutraukimo sistemas.

ĮSPĖJIMAS: Kai kurių medžiagų dulksės, pvz. dažų, kuriuose yra švino, kai kurių medienos rūšių, mineralų arba kai kurių metalų yra pavojingi sveikatai. Tiesioginis kontaktas su dulkmėmis arba jų patekimas į plaučius gali sukelti alergines reakcijas ir/arba kvėpavimo takų ligas (liečia dirbančiojo bei netoliese esančių asmenų). Kai kurios dulksės, pvz. ažuolo buko yra laikomos kancerogeniniais, ypač kartu su kitomis medienos apdorojimui skirtomis medžiagomis (chromatai, impregnavimui skirtos medžiagos). Su medžiagais, kurių sudėtyje yra asbesto, gali dirbti tik apmokyti darbuotojai.

– Darboje vietoje būtina užtikrinti gerą ventilaciją.

– Rekomenduojama naudoti dulkių kaukę.

Laikykites visų galiojančių šalyje taisyklių, reglamentuojančių darbo su tam tikromis medžiagomis principus.

LAIKYMAS IR PRIEŽIŪRA:

Mašina praktiškai nereikalauja specialios priežiūros. Mašina turi būti laikoma vaikams neprieinamoje vietoje, švari, apsaugota nuo drėgmės ir apdulkinimo. Įrangą turi būti laikoma sąlygose, kur nekyla mechaninių pažeidimų rizika ir žalingas atmosferos poveikis.

Šis įrenginys atitinka šalies ir Europos normas, ir saugumo nurodymus. Visus remontus gali vykdyti tik kvalifikuotas personalas, naudodamas originalias atsargines dalis.

■ Valymas

DĖMESIO: *Prieš valymą ištraukti maitinimo laidą kištuką iš lizdo.*

Siekiant užtikrinti saugų ir efektyvų darbą, rekomenduojama nuvalyti įrenginį kiekvieną kartą baigus naudojimą.

Rekomenduojama atlikti praputimą suslėgtu oru.

Šlifuoklį šluostyti drėgna šluoste ir nedideliu muilo kiekiu. Nenaudoti jokių valymo priemonių nei tirštikių; jie gali pažeisti įrenginio plastmasines dalis. Privaloma užtikrinti, kad vanduo nepatektų į prietaiso vidų.

APLINKOS APSAUGA:

DĖMESIO: *Pateiktas simbolis reiškia, kad panaudotas prietaisus draudžiama išmesti kartu su kitomis atliekomis (už pažeidimą gresia piniginė bauda). Panaudoti elektros prietaisai bei elektroninės dalis ir komponentai turi neigiamą poveikį aplinkai ir žmonių sveikatai.*

Namų ūkis turėtų prisidėti prie panaudotos įrangos utilizavimo bei pakartotinio medžiagų panaudojimo (perdirbimo). Lenkijoje ir Europoje yra kuriama arba jau veikia panaudotos įrangos surinkimo sistema. Todėl visi paminėtos įrangos pardavimo taškai yra įpareigoti priimti panaudotą įrangą. Be to yra specialūs panaudotos įrangos priėmimo taškai.

GAMINTOJAS:

PROFIX Sp. z o.o.,

Marywilska 34,

03-228 Varšuva, Lenkija

PIKTOGRAMAI:

Paveikslėlių esančių prietaiso firminėje lentelėje ir informaciniuose lipdukuose paaiškinimas:



– «Prieš įjungdami perskaitykite naudojimo instrukciją»



– «Naudokite dulkių kaukę»



– «Visada dėvėkite apsauginius akinius»



– «Naudokite klausos apsaugos priemones»



PROFIX įmonė siekia tobulinti savo produktus, todėl gali keistis produktų specifikacijos. Apie šiuos pasikeitimus įmonė nėra įpareigota nepranešti. Paveikslėliai esantis aptarnavimo instrukcijoje tai tik pavyzdžiai bei gali skirtis nuo nusipirkto prietaiso.


Ši instrukcija yra apsaugojama autoriaus teise. Kopijavimas/plėtojimas be PROFIX Sp. z o.o. leidimo raštu draudžiamas.



HASZNÁLAT ELŐTT OLVASSA EL EZEKET AZ UTASÍTÁSOKAT!

Tartsa meg ezt az útmutatót későbbi tájékozódás céljából!



FIGYELEM! Olvassa el a  szimbólummal jelzett, a munkavédelemmel kapcsolatos összes figyelmeztetést és a biztonságos használatra vonatkozó összes utasítást!

A következő biztonsági előírások be nem tartása miatt baleset, áramütés, tűzveszély és/vagy komoly sérülés fordulhat elő

Őrizz meg az összes munkavédelmi figyelmeztetést és utasítást későbbi felhasználás céljából!

Az alábbi figyelmeztetések során használt „elektromos szerszám” kifejezés olyan szerszámot jelöl, melynek áramellátása hálózatról (tápkábellel) vagy akkumulátorral (kábel nélkül) történik.



FIGYELEM! Általános munkavédelmi szabályok:
Munkahelyi biztonság:

- Tartsa tisztán a munkaterületét és ügyeljen a jó megvilágításra! A munkaterületén uralkodó rendetlenség balesetekhez vezethet.
- Ne dolgozzon elektromos szerszámmal robbanásveszélyes környezetben, gyulladásveszélyes folyadékok, gázok vagy folyadékok közelében. Az elektromos szerszámok használata során szikra keletkezhet, mely belobbanhatja a port és a gőzöket.
- Tartsa távol a gyermekeket attól a helytől, ahol használja az elektromos szerszámot. A figyelemelterelés miatt elveszítheti kontrollját az elektromos szerszám felett.



FIGYELEM! A szerszám biztonságos használatával kapcsolatos általános szabályok:

Elektromos biztonság:

- Az elektromos szerszám csatlakozó dugója meg kell feleljen az aljzattal. Tilos a csatlakozó dugó módosítása! Tilos hosszabbítók használata a védőföldeléses kábelrel ellátott elektromos szerszámok esetében! A csatlakozó dugók és aljzatok módosítása növeli az áramütés kockázatát!
- Kerülje a testi érintkezést a földelt felületekkel vagy tárgyakkal, mint a csövek, fűtőtestek, fűtőrádiátorok vagy hűtőszekrények! A földelt részekkel való érintkezés esetén nő az áramütés kockázata!
- Ne tegye ki esőnek vagy nedves környezetnek az elektromos szerszámot! *Viz behatolása esetén nő az áramütés kockázata!*
- Ne erőltesse a csatlakozó kábel! Ne használja a hálózati kábelt a szerszám mozgatására, húzására vagy a csatlakozó dugó aljzattól történő kihúzására. Tartsa távol a hálózati kábelt hőforrásoktól, olajtól, éles szélektől és mozgó alkatrészekről! A sérült vagy összegabalyodott kábelek növelik az áramütés kockázatát!
- Amennyiben az elektromos szerszámot a szabadban használja, a csatlakozást a szabadban történő használatra alkalmas kültéri hosszabbítókkal kell megoldani. A szabadban történő használatra alkalmas hosszabbítók használata csökkenti az áramütés kockázatát.
- A berendezést 30mA vagy kisebb kioldó áramú védőkapcsolós (RCD) elektromos hálózatra javasolt kapcsolni csatlakoztatni.
- Amennyiben az elektromos szerszámot nedves környezetben használja, elkerülhetetlen egy feszültségvédelmi eszköz használata, mint egy hibaáram védelmi kapcsolós (RCD). Az RCD használata csökkenti az áramütés kockázatát.



FIGYELEM! A szerszám használatának biztonságával kapcsolatos általános figyelmeztetések:

Személyi biztonság:

- Ez a berendezés nem használható csökkentett fizikai, szenzoriális vagy mentális képességű személyek (beleértve a gyermekeket is), tapasztalattal nem rendelkező személyek vagy olyan személyek által, akik nem ismerik a berendezést, kivéve a képeznek azok a helyzetek, amikor a berendezés használata felügyelet alatt vagy a használati utasítások betartásával történik egy, a biztonságért felelős személy által.
- Legyen figyelmes, összpontosítson arra, amit csinál és legyen mindig annak tudatában, hogy elektromos szerszámmal dolgozik! Ne használja az elektromos szerszámot, ha fáradt, ha kábítószert, alkoholt vagy gyógyszer befolyása alatt áll! Elektromos szerszám használatánál egy pillanatra figyelmen kívül hagyása komoly sérülések okozója lehet!
- Hordjon védőruházatot!** Minden esetben viseljen védőszemüveget! Olyan védőruházat hordása mint a porvédő maszk, csúszásbiztos cipő, fülvédő vagy hallásvédő csökkenti a sérülések kockázatát!
- Kerülje el, hogy az elektromos szerszám véletlenül bekapcsoljon! A hálózati áramforrásra történő csatlakozás és/vagy az akkumulátor csatlakoztatása, valamint a szerszám felemelése vagy mozgatása előtt, győződjön meg arról, hogy az elektromos szerszám kapcsolója kikapcsolt állapotban van! Az elektromos szerszám mozgatása vagy bekapcsolt állapotban történő használata balesetet okozhat!
- Az elektromos szerszám beindítása előtt távolítsa el minden szerszámot a közelből! Az elektromos szerszám mozgó részén hagyott szerszámok sérüléseket okozhatnak!
- Ne hajtson le mélyen! Álljon biztosan és tartsa meg az egyensúlyát! Ez az elektromos szerszám jobb ellenőrzését teszi lehetővé váratlan helyzetekben.
- Öltözzön fel megfelelően! Ne hordjon bő ruházatot vagy ékszert! Haját kösse be, ruházatát és kesztyűjét tartsa távol a mozgó alkatrészekről! A bő ruházat, az ékszer és a hosszú haj beleakadhat a mozgó alkatrészekbe.
- Amennyiben a berendezés alkalmas külső porszívó és porgyűjtő csatlakoztatására, győződjön meg arról, hogy ezek helyesen lettek csatlakoztatva és használva. A porgyűjtő használata csökkentheti a porral járó veszélyek kockázatát.



FIGYELEM! A szerszám biztonságos használatára vonatkozó általános figyelmeztetések:

Az elektromosszerszám használata és gondozása:

- Ne terhelje túl az elektromos szerszámot! Az elvégzendő munkához szükséges teljesítmény függvényében használjon elektromos szerszámokat! A megfelelő elektromos szerszám jobb működést és biztosabb terhelést tesz lehetővé.
- Tilos az elektromos szerszám használata, ha a kapcsoló nem indítja el és nem állítja meg a szerszámot! Minden elektromos szerszám, amely nem indul el vagy nem áll meg, veszélyes és meg kell javítani!
- Minden beállítást, alkatrészcsere vagy tárolás előtt húzza ki a csatlakozó dugót az elektromos szerszám hálózati áramforrásából és/vagy vegye ki az akkumulátort! Ezek a biztonsági intézkedések csökkentik az elektromos áram véletlenszerű bekapcsolását.
- A használaton kívüli elektromos szerszámot gyermekektől távol kell tárolni, és nem szabad kölcsön adni olyan személyeknek, akik nem ismerik az elektromos szerszámot vagy nem olvasták el annak használati utasításait! Az elektromos szerszám veszélyes, ha tapasztalat nélküli személy használja!
- Az elektromos szerszámot karban kell tartani! Ellenőrizni kell a mozgásban lévő alkatrészek vonalbeállítását vagy zavarát, az alkatrészek törését és egyéb tényezőket, melyek befolyásolhatják az elektromos szerszám működését! Ha rongálódást észlelünk, az elektromos szerszámot még használat előtt meg kell javítani! Számos baleset oka az elektromos szerszám nem megfelelő karbantartása.
- A vágószerszámok élesek és tiszták kell legyenek! A vágószerszámok éles alkatrészeinek karbantartása csökkenti az anyagba történő beakadás kockázatát és megkönnyíti a használatot.
- Az elektromos szerszámot, a berendezést, a munkaszerszámokat, stb. jelen utasításoknak megfelelően kell használni, figyelembe véve a munka jellegét és feltételeit. Az elektromos szerszám rendeltetésétől eltérő használata veszélyes helyzeteket okozhat.
- Alacsony hőmérsékleten vagy hosszabb használaton kívüli időszakot követően ajánlott az elektromos szerszám teher nélküli elindítása néhány percre a kenőanyag átviteli mechanizmusba történő helyes elosztása érdekében.
- Az elektromos szerszám tisztításához puha, nedves (nem vizes) rongyot és szappant használjon! Ne használjon benzint, oldószert vagy egyéb anyagokat, amelyek károsíthatják a berendezést!
- Az elektromos szerszámot csak azután lehet tárolni/shállítani, miután megbizonyosodtunk arról, hogy minden mozgó eleme rögzítésre és biztosításra került a rögzítésre szánt eredeti elemek segítségével.
- Az elektromos szerszámot száraz helyen kell tartani, védve a portól és a nedvségtől.
- Az elektromos szerszám szállítása az eredeti csomagolásban történhet, megvédve ezáltal a mechanikai sérülésektől.



FIGYELEM! A szerszám biztonságos használatára vonatkozó általános figyelmeztetések:

Javítás:

- Az elektromos szerszámok garanciális és garancia utáni javítását a PROFIX Szervíz végzi, ami garantálja a javítás kiváló minőségét és az eredeti alkatrészek használatát.
- Amennyiben a tápkábel sérült, a gyártónál vagy egy speciális javítóműhelyben vagy egy szakember által újjal kell kicserélni a balesetek elkerülése érdekében.



FIGYELEM!

Az elektromos szerszám használati ideje alatt ajánlott betartani a munkabiztonsági alapszabályokat a tüzesetek, áramütés vagy mechanikai sérülések elkerülése érdekében



FIGYELMEZTETÉS! KETTŐS KÖSZÖRŰ, biztonságos köszőrülés

Személyi biztonság:



Mindig szemvédőt kell viselni

- Az elektromos szerszámot csak beszerelt szikra pajzsot lehet használni! A megmunkálás során keletkező szikra árthat a szemnek vagy a közelben lévő elemek meggyűlűdéshez vezethet!
- Használat közben a szikra pajzsot erősen meg kell dönteni, minél lejjebb! Fékek megmunkálása során szikrák keletkeznek!
- Az elektromos szerszám használata során tilos a kezek bedugása a csiszolókorong alá! Súlyos testi sérüléseket okozhat!
- Csak olyan, a gyártó által ajánlott csiszolókorongokat használjon, melyeknek forgási sebessége a szerszám sebességével vagy nagyobb a szerszám névleges táblázatában szereplő sebességénél. Az a tény, hogy a csiszolókorong a szerszámra szerelhető, nem biztosítja annak biztonságos használatát!
- Szigorúan tilos a sérült vagy eltorzult csiszolókorong használata! Ellenőrizze minden használat előtt, hogy a csiszolókorong nincsen-e megsérülve vagy megrepedve! A szerszám vagy a korong ütésekor ellenőrizze, hogy nem sérült-e meg, vagy eltorzulás esetén használjon egy új korongot! A szerszám ellenőrzése és rögzítése után kapcsolja be az elektromos szerszámot és egy percre a maximális forgással hagyja működni, vigyázzon arra, hogy a szerszámot használó személy és az annak környezetében lévő személyek ne legyenek a korong forgási hatósugarában!
- Rendszeresen ellenőrizze a pad és a korong közötti távolságot! Rögzítse gyakran a szikra pajzsot, hogy ezáltal alkalmazkodjon a korong elhasználódásához, megtartva a pajzs és a korong közötti 2 mm-nél nem nagyobb távolságot! Nagyobb távolság esetén a szikravédelem nem elegendő! A korong forgása közben a megmunkált elem behúzódhat és sérüléseket okozhat!
- Használjon védőkötényt! Figyeljen arra, hogy senki ne legyen kitéve a megmunkálás közben keletkező szikra okozta veszélynek! Távolítson el minden gyúlékony anyagot!
- A használt korong megengedett forgási sebessége nem lehet kisebb az elektromos szerszám maximális forgási

sebességénél! A megengedett maximális sebességnél gyorsabban forgó korong eltörhet, a letört részek pedig elrepülhetnek!



FIGYELMEZTETÉS! KETTŐS KÖSZÖRŰ, biztonsági utasítások.

Elektromosbiztonság:

- Tilos az elektromos készülék sérült tápkábelrel történő használata! Tilos a sérült kábelt megérintése!** Amennyiben a kábel a készülék használata közben sérül meg, húzza ki a csatlakozó dugót az aljzatból! A sérült kábelek növelik az áramütés kockázatát!
- Az elektromos szerszámot földelés áramforráshoz kell csatlakoztatni!** A csatlakozó aljzat és a hosszabbító kábelje hatékony földelés kábelrel kell rendelkezzen!
- A csiszoló fix tápkábelrel van felszerelve.** Amennyiben a tápkábel megsérül, speciális kábelrel vagy a gyártónál vagy a javítóműhelyben elérhető helyettesítővel kell kicserélni!



FIGYELMEZTETÉS! KETTŐS KÖSZÖRŰ

Biztonságra vonatkozó általános utasítások:

- A megmunkálásra szánt anyagot a bekapcsolt elektromos szerszámmal kell közelíteni!** Az elektromos szerszám csak a megmunkált anyag kivétele után kapcsolható ki! A megmunkált anyag hirtelen mozgást végezhet!
- Tilos a megmunkálendő anyagot a csiszolókorong oldalsó része felől behelyezni!** Mindig előre történő tolással csiszoljon! A megmunkált anyag a korong forgása közben kieshet a kézről és sérüléseket okozhat!
- A csiszolót a csavarok segítségével úgy kell odarögzíteni a padhoz vagy egy stabil felülethez, hogy lehetőleg legyen a szerszám ellenőrizetlen mozgása és a szerszám által okozott rezgések minimálisak legyenek!**
- A csiszolószerszámot minden használat előtt ellenőrizni kell! A csiszolószerszámot helyesen kell rögzíteni és annak szabadon kell forognia!** Kapcsolja be a szerszámot legalább egy perces próbaidőre, mely alatt a szerszámot üres járatban a maximális forgással kell működtetni! Ne használjon sérült, megrepedt szerszámokat vagy olyanokat, amelyek rezgéseket okoznak! A sérült csiszolószerszámok megrepedhetnek és súlyos testi sérüléseket okozhatnak!
- Tilos a szerszám gyermekek általi használata!**

A POLÍROZÓ RENDELTETÉSE:

A kettős csiszoló rendeltetése a száraz fém, műanyag és egyéb anyagok durva- és finomszemcsés csiszolókoronggal történő csiszolása, a helyes csiszolókorong használatának feltételével.

A berendezés többnyire olyan kis csiszológépmunkára lett tervezve, mint: a kések, pengék, fűrők, ács és kőműves munkákra használatos hidegvágók, marók, stb. megmunkálására és élezésére.

Kifejezetten tilos a berendezést a fent említetteken kívüli munkákra használni!

Az elektromos szerszám minden olyan használata, amely eltér a fent említett rendeltetéstől, tilos és a garancia elvesztéséhez vezet, a gyártó nem felelős az ezekből eredő károkért.

A készülék összes, a felhasználó által végzett módosítása mentesíti a

gyártót a felelősség alól a felhasználónak és a környezetnek okozott károkért.

Ugyanakkor az elektromos szerszám megfelelő használata a karbantartásra, tárolásra, szállításra és javításra is vonatkozik.

Az elektromos szerszám csak a gyártó által megjelölt javítóműhelyben javítható! A hálózatra kötött készülékeket csak engedélyezett személyek javíthatják!

A rendeltetészerű használat ellenére sem küszöbölhetőek ki teljesen egyes kockázati tényezők. A felépítésből és tervezésből eredően a következő kockázatok jelenhetnek meg:

- A csiszolókorong megérintése a fedetlen részeknél;
- A csiszolókorong részeinek a centrifugális erő általi eldobása;
- A megmunkált tárgy vagy annak egy részének eldobása;
- Halláskárosodás a hallásvédő használatának hiányában;
- A csiszolókorong repedése/törése;
- Egészségre káros por kibocsátások a munkálatok zárt helyen történő végzésekor.

ELEMEK:

- Kettős köszörű – 1 db.
- Durvaszemcsés köszörűkorong – 1 db.
- Finomszemcsés köszörűkorong – 1 db.
- Rögzítőelemes szikra pajsz – 2 db.
- Megmunkált darab rögzítőelemes tartója – 2 db.
- Használati utasítások – 1 db.
- Garanciaalap – 1 db.

A KÖSZÖRŰGÉP FELÉPÍTÉSE:

A kettős köszörűgépet egy monofázisú motor működtet. Az első érintésvédelmi osztályba tartozik – az aljzat és a hosszabbító kábel hatékony földelés kábelrel kell rendelkezzen.

A köszörűgép felépítése az 2. oldalon szereplő A.-C. ábrákon lettek megjelölve:

A. ábra: 1. Kapcsoló

2. Fűlesanya
3. Megmunkált anyag tartó
4. Csiszolókorong
5. Szikra pajsz
6. Szikra pajsz rögzítő
7. Alapzati szerelőnyílások

C. ábra: 8. Rögzítőcsavar

9. Oldalsó pajsz
10. Rögzítő csavaranya
11. Nyomókarima
12. Karton korong
13. Forgótengely
14. Korongpajsz

MŰSZAKI ADATOK:

Névleges feszültség	230 V
Névleges frekvencia	50 Hz
Teljesítmény	200 W
Maximális sebesség munkadarab nélkül	2950/perc
Korong mérete (max. átmérő x vastagság x nyílás Ø)	150x16x12,7mm
1/2-es szemcséjű csiszolókorong	36/60
Csiszolókorong forgási sebessége munkadarab nélkül	23 m/s
Munkaciklus	52 30 perc
Berendezés osztálya	I
Súly	8,5 kg
Hangnyomás szint (LpA)	62,6 dB(A), ±3dB(A)
Hangerő szint (LWA)	75,6 dB(A), ±3dB(A)

52 30 perc – alkalmankénti működés, 30 perces nominális működési idő.

FIGYELEM! Harminc perces működés után szakítsa meg a munkát a köszörű teljes kihűléséig!

MŰKÖDÉSRE TÖRTÉNŐ FELKÉSZÜLÉS:

Kicsomagolást követően ellenőrizze, hogy minden elem megvan-e és szerelje be őket az utasításnak megfelelően!

FIGYELEM! Beszerelés vagy beállítás előtt bizonyosodjon meg arról, hogy a készülék nincse áramforráshoz csatlakoztatva!

■ A köszörű beállítása

A biztonságos használat garantálása érdekében a köszörűgépet mindig sík és stabil munkafelületre kell rögzíteni (pl. munkapadra).

Helyezze a köszörűgépet egy vízszintes, stabil felület (munkapad) azon részére, amely lehetővé teszi a szabad és biztonságos használatot. Az alapzati szerelőnyílásokat (7) használva, mereven csavarozza be négy rögzítőcsavar segítségével! A csavarok hosszát a munkapad vastagságának megfelelően kell kiválasztani!

■ A megmunkált elem tartójának beszerelése

A megmunkált elem tartóit (3) az **A1.** ábrának megfelelően kell beszerelni!

A csiszolókorong (4) és a megmunkált elem tartója (3) közötti távolság legfeljebb 2 mm lehet, ezt az értéket rendszeresen be kell állítani! (Lásd: **B.** ábra, 2. oldal)

FIGYELEM! A tartó beállítását akkor kell végezni, amikor a korong mozdulatlan állapotban van!

Amennyiben a csiszolókorong nagyon elhasználódott és a megmunkált anyag tartó segítségével lehetetlen beállítani ezt az értéket, a csiszolókorongot ki kell cserélni!

■ Aszrika pajsز beszerelése

Aszrika pajsزok (5) az **A2. ábrának** megfelelően kell beszerelni!

A csiszolókorong (4) és szrika pajsز rögzítő (6) közötti távolság legfeljebb 2 mm lehet, ezt az értéket rendszeresen be kell állítani! (Lásd: **B.** ábra, 2. oldal)

FIGYELEM! A távolság beállítását akkor kell végezni, amikor a korong mozdulatlan állapotban van!

■ A csiszolókorong cseréje

FIGYELEM! Óvja meg a csiszolókorongot az ütések, mechanikus sérülésektől és a kenőanyagoktól! Tilos a berendezés használata sérült vagy a specifikációktól eltérő csiszolókorongokkal! A korong cseréje előtt ellenőrizze annak állapotát és vizsgálja meg azt!

A csiszolókorong ellenőrzése „hang” alapján történik. A korong egy farudon helyezkedik el, forgatjuk és ugyanakkor egy fakalapáccsal ütjük a korong mindkét oldalát, különböző távolságra a középső nyílástól:

- a) egyfém hang: a csiszolókorong nincs megrepvedve – használhatjuk.
- b) egy gyorsan elhalkuló éles hang: a csiszolókorong megrepvedt – használata tilos, mivel veszélyt jelent a felhasználóra nézve.

A korong cseréjéhez (4) a Ph2-es csavarhúzó és M8-as kulcs segítségével csavarozza ki a 3 rögzítő csavart (8) és vegye ki az oldalsó pajsز (9) (lásd: **C.** ábra, 2. oldal)! Az M19-es kulcs segítségével lazítsa meg a rögzítő csavaranyát (10), ellenkező irányból megtartva a nyomókarima rögzítő csavaranyáját!

FIGYELEM! A bal oldali csiszolókorong a balmenet segítségével van rögzítve, a jobb oldali csiszolókorong pedig a jobbmenet segítségével van rögzítve.

Ezután vegye ki a nyomókarimát (11), a karton korongot (12) és a csiszolókorongot (13) a tengelyből! Most kicserélheti a korongot! A beszerelés fordított sorrendben történik. A nyomókarimát a konkáv oldalával kell a csiszolókoronghoz fordítani!

FIGYELEM! A csiszolókorong cseréjét követően legkevesebb 1 percig forgassa üres járatban!

AMUNKA MEGKEZDÉSE ELŐTT:

- Bizonyosodjon meg arról, hogy az áramforrás a köszörű nominális tábláján feltüntetett paramétereknek megfelelő paraméterekkel rendelkezik!
- Bizonyosodjon meg arról, hogy a kapcsoló (1) kikapcsolt pozícióban van!
- Amennyiben hosszabbítót használ, bizonyosodjon meg arról, hogy a hosszabbító paramétere, a kábelek szakaszai megfelelnek a köszörűgépet paramétereivel. Ajánlott minél rövidebb hosszabbítót használni! A hosszabbító teljesen ki kell legyen feszítve!
- A munka megkezdése előtt ellenőrizze a köszörűgépet rögzítését és ügyeljen arra, hogy a csiszolókorongok szabadon forogjanak!

MŰKÖDÉS:

■ Be/kikapcsolás

Bekapcsoláshoz a kapcsolót (1) állítsa I pozícióba!

Kikapcsoláshoz a kapcsolót (1) állítsa 0 pozícióba!

FIGYELEM! Minden cseréjét követően és csiszolás előtt legkevesebb 1 percig üres járatban forgassa a csiszolókorongot!

■ Csiszolás

A csiszolt elemet meg kell támasztani a megmunkált elem tartónak (3) és finoman nyomja a korongra (4)! A legjobb csiszolási eredmény elérése érdekében mozgassa előre és hátra a megmunkált elemet! Ezáltal a csiszolókorong a teljes felületen egyenlő módon kerül kihasználásra. Figyelni kell arra, hogy csiszolás közben a megmunkált elem nagyon felmelegedhet. Ezért időközönként hűtés céljából hideg vízbe kell helyezni a megmunkált elemet.

A csiszolási folyamat alatt a csiszolókorong elvesztí vágási tulajdonságait, azaz minden szabad hely az eltávolított anyaggal telik meg és elvesztí körköröséget. A munkafelület felnyitása éa a

MŰKÖDÉS:

■ Be/kikapcsolás

Bekapcsoláshoz a kapcsolót (1) állítsa I pozícióba!

Kikapcsoláshoz a kapcsolót (1) állítsa O pozícióba!

FIGYELEM! Minden cserét követően és csiszolás előtt legkevesebb 1 percig üresjáratban forgassa a csiszolókorongot!

■ Csiszolás

A csiszolt elemet meg kell támasztani a megmunkált elem tartónak (3) és finoman nyomja a korongra (4)! A legjobb csiszolási eredmény elérése érdekében mozgassa előre és hátra a megmunkált elemet! Ezáltal a csiszolókorong a teljes felületen egyenlő módon kerül kihasználásra. Figyelni kell arra, hogy csiszolás közben a megmunkált elem nagyon felmelegedhet. Ezért időközönként hűtés céljából hideg vízbe kell helyezni a megmunkált elemet.

A csiszolási folyamat alatt a csiszolókorong elveszíti vágási tulajdonságait, azaz minden szabad hely az eltávolított anyaggal telik meg és elveszíti körköröségét. A munkafelület felnyitása éa a körköröség helyreállításához gyémánt vagy egyéb típusú késeket ajánlunk!

FIGYELMEZTETÉS! Egyes anyagok pora, mint például az ólmot tartalmazó festékekkel festett felületek, egyes fafajták, ásványok vagy egyes fémfajták károsak lehetnek az egészségre. A porokkal történő közvetlen fizikai érintkezés vagy ezek tüdőbe történő bejutása allergiás reakciókat és/vagy légúti bántalmakat okozhatnak a kezelőnek vagy a környezetében lévő személyeknek. Egyes porfajták, mint pl. a tölgy vagy a bükk rákképzőnek minősülnek, főleg a fa feldolgozása során használt anyagokkal (kromátok, faanyagvédő szerek) kombinálva. Az azbeszt tartalmú anyagokat csak speciálisan képzett személy kezelheti!

– Mindig biztosítson megfelelő szellőzést a munkavégzési helyen!

– Használjon porvédő maszkot!

Tartsa be a hatályos nemzeti szabályozásokat, a megmunkálásra szánt anyagok kezelésére vonatkozó előírásokat!

TÁROLÁS ÉS KARBANTARTÁS:

Általában nem szükséges speciális karbantartási művelet! A köszörűgépet gyermekektől távol, tisztán kell tartani, óvni a nedvességtől és a portól! A tárolási körülmények ki kell küszöböljék a mechanikus rongálódások vagy a különböző időjárási viszonyok káros hatásainak lehetőségét!

A köszörűgép megfelel a nemzeti és európai szabályoknak, valamint a biztonsági előírásoknak. Minden javítást szakképzett személy végezhet, kizárólag eredeti cserealkatrészt használva

■ Tisztítás

FIGYELEM! Minden tisztítási munka előtt húzza ki a csatlakozó dugót az aljzatból!

A biztos és hatékony működés biztosítása érdekében a szerszámot közvetlenül a használat után meg kell tisztítani!

Ajánlott a sűrített levegővel történő tisztítás!

A köszörü gépházát nedves ronggyal, kis mennyiségű szappannal kell tisztítani! Ne használjon tisztító- vagy oldószert, ezek megrongálhatják a műanyag alkatrészeket! Vigyázzon arra, hogy ne kerüljön víz a készülék belsejébe!

KÖRNYEZETVÉDELEM:



FIGYELEM! Ez a jel azt jelöli, hogy a használt készüléket tilos egyéb hulladékkal egy helyen elhelyezni (pénzbüntetés terhe mellett). Elektromos és elektronikus gépek veszélyes alkotórészei negatívan befolyásolják a környezetet és az emberek egészségét.

Minden háztartásnak hozzá kell járulnia a használt készülékek visszanyeréséhez és újrahasznosításához. Úgy Lengyelországban, mint Európában megszervezik vagy már létezik a használt készülékek gyűjtési rendszere, melynek keretében az adott készülék minden értékesítési helyén kötelesek átvenni a használt készüléket. Ezenkívül léteznek ilyen típusú készülékek gyűjtő központjai is.

GYÁRTÓ:

PROFEX Sp. z o.o.; Marywilka u. 34, 03-228 Varsó, LENGYELORSZÁG

PIKTOGRAMOK:

A névleges táblázatban szereplő piktogramok magyarázata:



– «A szerszám használata előtt olvassa el figyelmesen a használati utasításokat!»



– «Védőszemüveg használata kötelező!»



– «Porvédő maszk használata kötelező!»



– «Hallásvédő használata kötelező!»



A PROFEX cég a termékek allando fejlesztésének a politikáját követi, ezért a cég fenntartja magának a jogot a termék specifikációjának előzetes értesítések nélküli módosítására. A használati útmutatóban megadott ábrák pelda jellegűek és azok enyhén elterhetnek a megvásárolt berendezések valódi kinezetététől.

Az alábbi útmutatót szerzői jogok védik. Annak masolása / sokszorosítása a Profex Sp. z o.o. cég írásos beleegyezése nélkül tilos.

DT-C2/d_zg/0158/02

Łomna Las: 2019.04.03

(GB) EC/EU DECLARATION OF CONFORMITY
(PL) DEKLARACJA ZGODNOŚCI WE/UE
(RO) DECLARAȚIE DE CONFORMITATE CE/UE

(LV) EK/ES ATBILSTĪBAS DEKLARĀCIJA
(LT) EB/ES ATITIKTIES DEKLARACIJA
(CZ) ES/EU PROHLÁŠENÍ O SHODĚ

(HU) EK/UE-MEGFELELŐSÉGI NYILATKOZATA

(GB) MANUFACTURER	(PL) PRODUCENT	(RO) PRODUCĂTOR	(LV) RAŽOTĀJS	(LT) GAMINTOJAS	(CZ) VÝROBCE	(HU) GYÁRTÓ
----------------------	-------------------	--------------------	------------------	--------------------	-----------------	----------------

PROFIX Sp. z o.o. ul. Marywilska 34, 03-228 Warszawa

(GB) Person who was authorized to develop technical documentation:	(LT) Asmuo įgaliojotas parengti techninę dokumentaciją:
(PL) Osoba upoważniona do przygotowania dokumentacji technicznej:	(CZ) Osoba oprávněna připravit technickou dokumentaci:
(RO) Persoana împuternicită pentru pregătirea documentației tehnice:	(HU) Műszaki dokumentáció elkészítésére meghatalmazott személy:
(LV) Persona atbildīga par tehniskās dokumentācijas sagatavošanu:	

Mariusz Rotuski, Centrum Dystrybucyjno-Handlowe PROFIX, ul. Dobra 3, Łomna Las, 05-152 Czosnów

(GB) Bench grinder (PL) Szlifierka stołowa (RO) Polizorul electric de banc (LV) Stacionārā šļīpmašīna (LT) Stalinės šlifavimo staklės (CZ) Stolní bruska (HU) Kétfős köszőrű

VULCAN Concept VS152001

MD3215C

230 V; 50 Hz; 200 W; no: 2950/min; S2 30min; Ø150

S1913 -...- S2005

(GB) The object of the declaration described above is in conformity with the relevant Union harmonisation legislation: (PL) Wymieniony powyżej przedmiot niniejszej deklaracji jest zgodny z odnośnymi wymaganiami unijnego prawodawstwa harmonizacyjnego: (RO) Obiectul declarației descris mai sus este în conformitate cu legislația relevantă de armonizare a Uniunii: (LV) Iepriekš aprakstītais deklarācijas priekšmets atbilst attiecīgajām Savienības saskaņošanas tiesību aktam (LT) Pirmiau aprašytas deklaracijos objektas atitinka susijusius derinamuosius Sąjungos teisės aktus: (CZ) Vyše popsaný předmět prohlášení je ve shodě s příslušnými harmonizačními právními předpisy Unie: (HU) A fent ismertetett nyilatkozat tárgya megfelel a vonatkozó uniós harmonizációs jogszabálynak:

(GB) 2006/42/EC (OJ L 157, 9.6.2006, p. 24–86); 2014/30/EU (OJ L 96, 29.3.2014, p. 79–106); 2011/65/EU of the European Parliament and of the Council of 8 June 2011 on the restriction of the use of certain hazardous substances in electrical and electronic equipment;

(PL) 2006/42/WE (Dz.U. L 157 z 9.6.2006, str. 24–86); 2014/30/UE (Dz.U. L 96 z 29.3.2014, str. 79–106); 2011/65/UE z dnia 8 czerwca 2011 r. w sprawie ograniczenia stosowania niektórych niebezpiecznych substancji w sprzęcie elektrycznym i elektronicznym (Dz.U. L 174 z 1.7.2011, str. 88–110);

(RO) 2006/42/CE (JO L 157, 9.6.2006, p. 24–86); 2014/30/UE (JO L 96, 29.3.2014, p. 79–106); 2011/65/UE a Parlamentului European și a Consiliului din 8 iunie 2011 privind restricțiile de utilizare a anumitor substanțe periculoase în echipamentele electrice și electronice;

(LV) 2006/42/EK (OV L 157, 9.6.2006., 24./86. lpp.); 2014/30/ES (OV L 96, 29.3.2014., 79./106. lpp.); 2011/65/ES (2011. gada 8. jūnijs) par dažu bīstamu lielu izmantošanas ierobežošanu elektriskās un elektroniskās iekārtās;

(LT) 2006/42/EB (OL L 157, 2006 6 9, p. 24–86); 2014/30/ES (OL L 96, 2014 3 29, p. 79–106); 2011/65/ES 2011 m. birželio 8 d. dėl tam tikrų pavojingų medžiagų naudojimo elektros ir elektroninėje įrangoje apribojimo;

(CZ) 2006/42/ES (Úř. věst. L 157, 9.6.2006, s. 24–86); 2014/30/EU (Úř. věst. L 96, 29.3.2014, s. 79–106); 2011/65/UE ze dne 8. června 2011 o omezení používání některých nebezpečných látek v elektrických a elektronických zařízeních;

(HU) 2006/42/EK (HL L 157., 2006.6.9., 24–86. o.); 2014/30/EU (HL L 96., 2014.3.29., 79–106. o.); 2011/65/EK irányelve (2011. június 8.) egyes veszélyes anyagok elektromos és elektronikus berendezésekben való alkalmazásának korlátozásáról;

(GB) and have been manufactured in accordance with the standards:

(PL) oraz został(y) wyprodukowany(e) zgodnie z normą(ami):

(RO) și au fost produse conform normelor:

(LV) un tika izgatavoti atbilstoši normām:

(LT) bei yra pagamintas pagal normas:

(CZ) a byla(y) vyrobená(y) podle normy(lem):

(HU) és gyártása(uk) az alábbi szabvány(ok)nak megfelelően történt:

EN 61029-1:2009+A11:2010 EN 61029-2-4:2011

EN 55014-1:2006+A1:2009+A2:2011 EN 55014-2:2015 EN 61000-3-2:2014 EN 61000-3-3:2013

IEC 62321:2008



Mariusz Rotuski

Pénnomocnik Zarządu ds. Certyfikacji

Representative of the Board for Certification

(GB) This declaration of conformity is issued under the sole responsibility of the manufacturer. (PL) Niniejsza deklaracja zgodności wydana zostaje na wyłączną odpowiedzialność producenta. (RO) Prezenta declarație de conformitate este emisă pe răspunderea exclusivă a producătorului. (LV) Šī atbilstības deklarācija ir izdota vienīgi uz šāda ražotāja atbildību. (LT) Ši atitikties deklaracija išduota tik gamintojo atsakomybe. (CZ) Toto prohlášení o shodě vydal na vlastní odpovědnost výrobce. (HU) E megfelelőlégségi nyilatkozat a gyártó kizárólagos felelősségére kerül kibocsátásra.