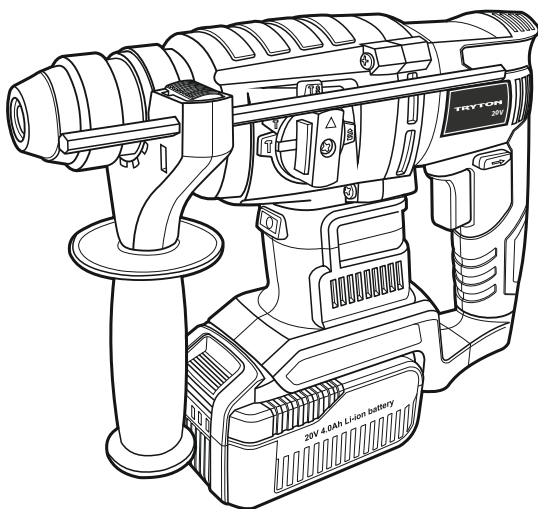


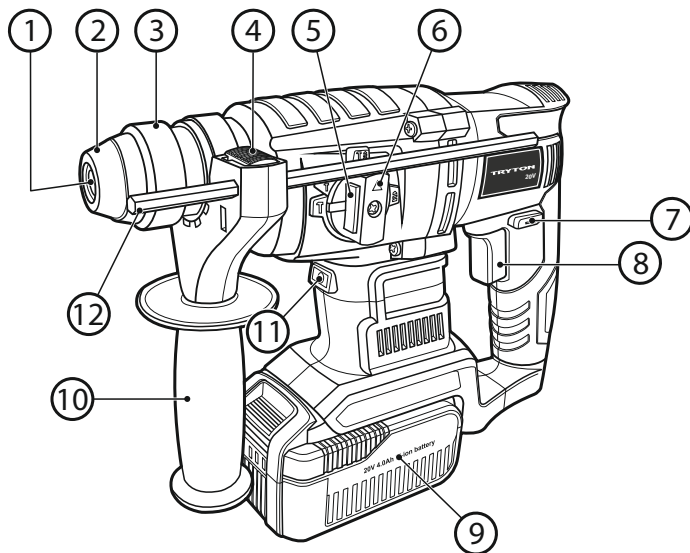
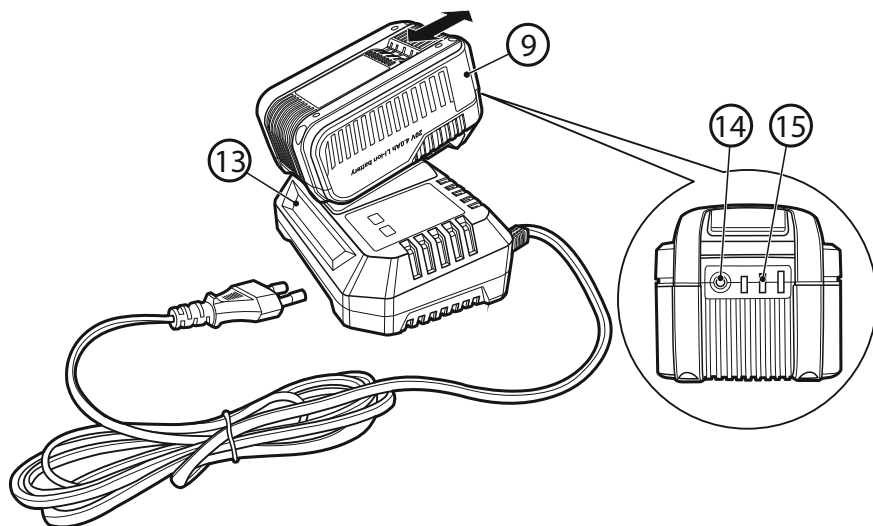
TRYTON

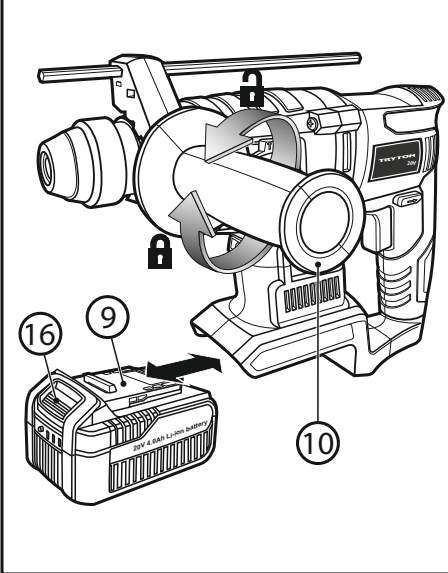
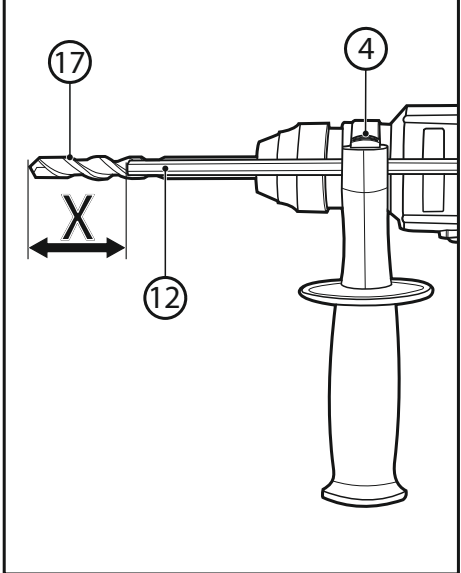
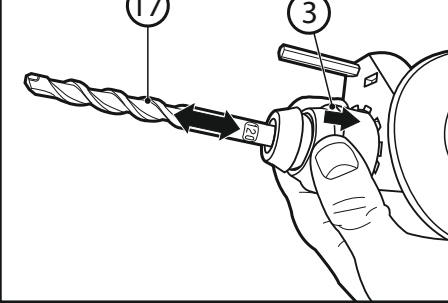
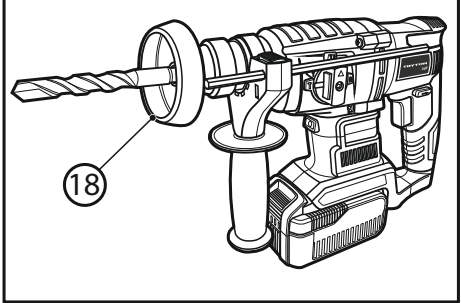
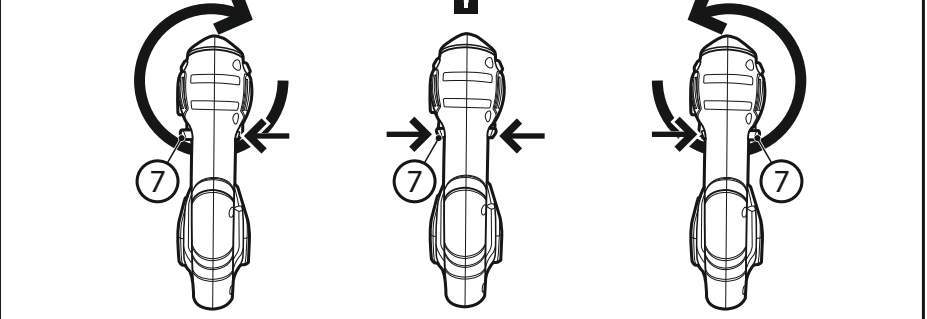
ELEKTRONARZĘDZIA

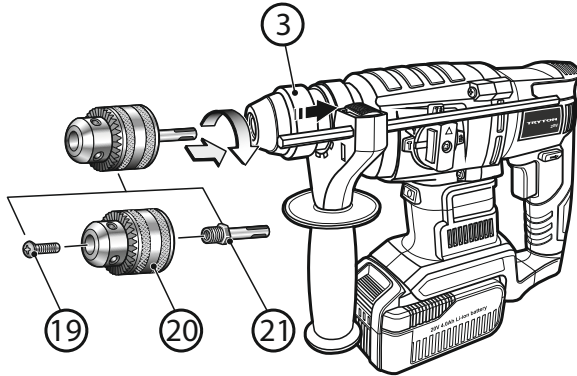
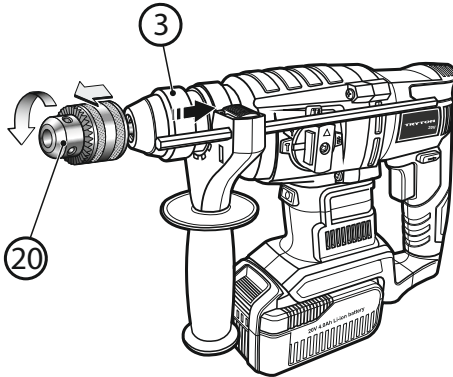
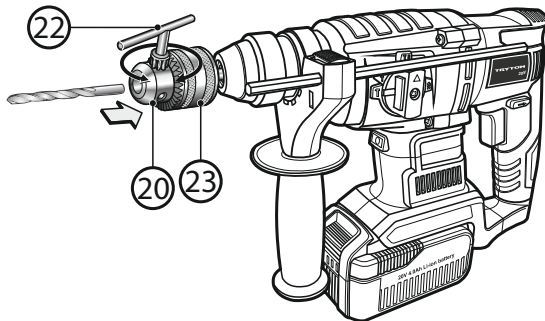


TMM20

EN	Operating instruction	CORDLESS ROTARY HAMMER.....5
PL	Oryginalna instrukcja obsługi	MŁOTOWIERTARKA AKUMULATOROWA.....11
RU	Инструкция по эксплуатации	АККУМУЛЯТОРНЫЙ ПЕРФОРАТОР.....18
RO	Instrucții de folosire	BORMAȘINĂ CU PERCUȚIE CU ACUMULATORI.....26
LV	Lietošanas instrukcija	AKUMULATORU TRIECIENA URBJMAŠĪNA.....33
CS	Návod na obsluhu	AKUMULÁTOROVÉ VRTACÍ KLADIVO.....40
HU	Használati utasítások	AKKUMULÁTOROS FŰRÓKALAPÁCS46
LT	Naudojimo instrukcija	AKUMULIATORINIS GRĘŽIMO PERFORATORIUS.....53

A**B**

C**E****D****F****G**

H**I****J**

EN

OPERATING INSTRUCTION
CORDLESS ROTARY HAMMER TMM20


Original text translation



BEFORE YOU START USING THE MACHINE READ THOROUGHLY THIS MANUAL.

Keep this document for future reference.



WARNING! Read all safety warnings marked with a symbol  and all operating safety instructions.

To limit the risk of fire, electric shock and injury while using the device, follow all operating safety instructions and tips provided below.

Keep all work safety instructions and tips for future reference.

In warnings provided herein the expression "power tool" means a power tool powered from the mains (with a power cord) or a battery powered power tool (cordless).



WARNING! General work safety warnings for use of the tool.

Workplace safety:

- Keep your workplace tidy and well lit. Untidiness and bad lighting result in higher accident rate.
- Do not use the power tool in explosive environments, created by flammable liquids, gases or dusts. The power tool generates sparks that can ignite dust or vapors.
- Keep children and unauthorized persons away from the place where the power tools are used. Inattention may result in losing control over your power tool.



WARNING! General warnings regarding the use of power tools.

Electric safety:

- Plugs used in power tools must match wall outlets. Never modify the plug of your power tool. Do not use any extension cables when operating a power tool with a grounding/earthing conductor (PE). Any modifications of plugs and outlets increase the risk of electric shock.
- Avoid touching earthed surfaces or grounded items like pipes, heaters, central heating radiators and refrigerators. Touching earthed or grounded surfaces increases the risk of electric shock.
- Do not expose your power tool to rain or damp environments. Water penetrating the tool increases the risk of electric shock.
- Do not damage the power cord. Never use the power cord to carry, pull the power tool and do not pull by its power cord to disconnect plug from the outlet. Keep the power cord away from sources of heat, oils, sharp edges and moving parts. Damaged or entangled power cords increase the risk of electric shock.
- When your power tool is operated outdoors use extension cords intended for outdoor use only. Using an extension cable intended for outdoor use decreases the risk of electric shock.
- It is recommended to connect the device to a mains supply equipped with a residual current device (RCD) with a rated current of 30 mA or less.
- When it is unavoidable to use your power tool in a damp environment use an RCD (Residual Current Device) for protection. The use of RCDs decreases the risk of electric shock.



WARNING! General warnings regarding the use of power tools.

Personal safety:

- This equipment is not intended for use by persons (including children) disabled physically, mentally, sensorial or persons with no experience and knowledge in operating the equipment unless they operate the equipment under supervision or follow user's instructions provided by persons responsible for their safety.
- It is necessary to predict steps, watch and keep common sense when using power tools. Do not operate power tools when you are tired, under influence of drugs, medicine or alcohol. A moment of inattention while operating a power tool may result in serious personal injury.
- Use personal protective equipment (PPE). Always wear safety goggles. Wearing personal protective equipment (PPE) including a dust mask, anti-slippery footwear, a helmet and ear protection reduces personal injury.
- Avoid unexpected start up. Before connecting your power tool to the mains and/or inserting a battery make sure its power switch is in off position. Carrying your power tool with a finger on its power switch or without disconnecting it from the mains (switched on) may result in an accident.
- Before starting your power tool remove any keys/wrenches. Leaving a key/wrench in the rotating part of your power tool may result in personal injury.
- Do not lean forward too far. Always remain stable and maintain balance. It will allow you to have a better control over your power tool in unpredictable situations.
- Wear appropriate clothing. Do not wear loose clothes or jewelry. Keep your hair tied. Keep your clothes away from moving parts. Loose clothes, jewelry or long hair may be caught by moving parts.
- If your power tool allows for using an external dust extraction or collection system, make sure it is connected and used properly. Using dust collectors may reduce dust affected risks.
- Do not let your skills gained through the frequent use of the power tool make you overconfident and disregard safety rules. Carelessness may cause injury in a fraction of a second.



WARNING! General warnings regarding the use of power tools.

Use and taking care of your power tool:

- Do not overload your power tool. Use a power tool with power adjusted to work being done. An appropriately chosen power tool will allow you to work better and safer under load it has been designed for.
- Do not use a power tool when its power switch is out of order (it does not switch it on or off). Any power tool with its power switch out of order is dangerous and must be repaired.
- Always disconnect the plug from the power source and/or disconnect its battery before changing any settings, performing replacement or storage. Such preventive measures reduce the risk of accidental power tool start up.
- Keep your power tool out of reach of children and do not allow unauthorized persons to use the power tool. Power tools in hands of untrained persons can be dangerous.
- Power tools require maintenance. Check power tools for concentricity or jamming of moving parts, any cracks and all

other factors affecting the power tool work safety. If any damage to the power tool is detected, it should be repaired before use. Improper power tool maintenance is a reason for many accidents.

- f) **Cutting tools should be sharp and clean.** Keeping sharp cutting edges in good condition reduces the risk of jamming and facilitates operation.
- g) **Power tools, equipment, working tools etc. should be used according to this user's manual taking into account operating conditions and the work to be done.** Misusing a power tool can result in dangerous situations.
- h) **At low temperatures and after a long brakes in operation it is recommended to turn the power tool to operate it with no load for a few minutes to provide proper grease distribution inside its driving mechanism.**
- i) **Use soft, damp (cannot be wet) cloth and soap to clean power tools. Do not use petrol, solvents and other agents that may damage your equipment.**
- j) **Power tools can be stored/carried after making sure that all moving components are locked and protected against release with original devices intended for this purpose.**
- k) **Store power tools in a dry, dust and water-protected place.**
- l) **Carry your power tool in its original packaging to provide protection against mechanical damage.**
- m) **Keep handles and grip surfaces clean and free from oil and grease. Secure grip and control over the tool in unexpected circumstances are impossible if handles and grip surfaces are slippery.**



WARNING! General warnings regarding the use of power tools.

Repair:

- a) **Warranty and post-warranty repairs of its power tools are carried out by PROFIX Service, which guarantees the best quality or repair and use of genuine spare parts.**



WARNING! Cordless rotary hammer, Additional Safety Warnings –

Personal Safety:

- a) **Wear ear protectors with rotary hammer.** Long-term effect of noise may lead to damage of hearing or deafness.
- b) **During work, when the working tool might encounter a hidden electricity wire the power tool must be held by the insulated areas of the handle.** Cutting accessory contacting a "live" wire may make exposed metal parts of the power tool "live" and could give the operator an electric shock.
- c) **Use appropriate detectors to determine if utility lines are hidden in the work area or call the local utility company for assistance.** Contact with electric lines can lead to fire and electric shock. Damaging a gas line can lead to explosion. Penetrating a water line causes property damage or may cause an electric shock.
- d) **Do not work materials containing asbestos.** Asbestos is considered carcinogenic.
- e) **Keep your workplace clean and tidy.** Material mixtures are extremely dangerous. Light metal dusts can ignite or explode.
- f) **Protect the object machined.** Make sure all clamps are closed and check for excessive clearance. It is safer to fix the object machined in a fixing device or a vice than holding it in your hand.
- g) **Use auxiliary handles supplied with the tool.** Loss of control can cause personal injury.
- h) **Always hold firmly the power tool with your both hands using**

both the main and auxiliary handle keeping a stable position. It is safer to control your power tool with both hands.

- i) **Turn the power tool immediately when the bit jams. Expect intense vibrations that can result in a kickoff.** The bit jams when the power tool is overloaded or is bent inside the object.
- j) **Before you put the power tool aside make sure it is completely stopped.** The bit can jam resulting in losing control over the power tool.
- k) **Electric tools should be used exclusively with a unit of rechargeable batteries purposefully dedicated for power supply of them.** Application of any other batteries may pose a risk of body injuries or a fire.

Safety instructions when using long drill bits:

- a) **Never use a speed higher than the maximum drill bit speed. Always start drilling at a low speed and after touching the workpiece to the drill bit.** At higher speeds, the drill bit may bend if not in contact with the workpiece, resulting in injury.
- b) **Push the drill bit against the workpiece in line with the drill bit. Do not use excessive force.** Drill bits may bend, causing damage and loss of control, which may result in injury.



WARNING! Safe use of rechargeable batteries and battery chargers -

Using the battery:

- a) **Use only the batteries that correspond to specifications required by the equipment manufacturer.** Use of unsuitable batteries may lead to cracks and destruction of the battery, personal injuries or fires.
- b) **WARNING: In case of damage or improper use of the battery, explosive gases might be released.** The battery must be kept away from fire and proper ventilation is to be assured during charging. It cannot be left for a longer period of time in a high temperature environment (areas with strong exposure to the sun, close to radiators or any other place with a temperature above 40 degrees).
- c) **The battery must be charged within the temperature range of 15 to 25°C.**
- d) **Batteries can be charged exclusively with use of a power adapter recommended by the manufacturer of the tool.** Application of any other power adapter may pose a risk of a fire.
- e) **Never expose the battery to the effect of water or moisture.**
- f) **When another battery is to be charged in sequence the time gap between charging operations must be not less than 30 minutes.**
- g) **In no case may you open the battery.**
- h) **Under unfavourable conditions electrolyte may leak from batteries, be careful to avoid contacts with the liquid.** In case of accidental contacts with the liquid wash the affected locations with water. When liquid penetrates eyes, seek also for medical assistance. The liquid that leaks from batteries may be a reason for irritation or scalds.
- i) **When the battery unit is not in use keep it far away from metallic items such as paper clips, coins, keys, nails, bolts or other metal things that may short the battery terminals.** Shorts of battery terminals may cause burns or fires.
- j) **Never throw batteries to fireplaces.**
- k) **Never charge a damaged battery.**



The batteries are intended for multiple use and contain harmful lithium.

Upon the battery lifetime expires the battery must be disposed in accordance with environmental regulations. Discharge the

battery first top the empty state and remove from the electric tool. Hand over to an organization that deals with utilization of batteries or take it back to the shop where the tool had been purchased.

Using the charger:

- a) **Use only dedicated power adapters to charge the battery.**
Application of a power adapter dedicated to charge another type of the battery unit poses a risk of fires.
- b) **The supplied charger should only be used for charging batteries that are supplied together with it.** Charging other batteries may cause breaking and disintegration of the battery, bodily harm, or fire.
- c) **Do not disassemble the charger.**
- d) **The charger is designed exclusively for indoor use.** It must not be exposed to water or moisture.
- e) **Charge only in an ambient temperature between 15-25 degrees.**
- f) **Do not insert metal objects of any kind into the charger.**

APPLICATIONS AND CONSTRUCTION:

The cordless rotary hammer is designed for impact drilling of boreholes in concrete, bricks and stone, as well as for light chiselling work. It can be also used for drilling in wood, metals, ceramic items or plastics when the impact functionality is switched off.

It is absolutely prohibited to use the tool in other applications.

The cordless rotary hammer is designed exclusively for DIY applications. **The tool must not be used for work requiring a professional tool.**

Any use of the device that is not in observance with the above-mentioned purpose is forbidden, leads to the loss of warranty, and relieves the manufacturer from responsibility for the resulting damage.

Any modifications of the tool by the user relieve the manufacturer from responsibility for any damage and injuries to the user and the surroundings.

Despite using the tool according to its intended application it is impossible to eliminate certain residual risk factors. Considering the tool construction the following risks may occur when operating the tool:

- Touching the rotating drill bit with the hand or operator's clothes.
- Burns when changing drill bits (Drill bits heat up intensely during operation; use protective gloves when changing the drill bit).
- Throwing back machined object or its fragment.
- Bending/breaking the drill.

■ The set includes:

- Cordless rotary hammer - 1 pc.
- Charger - 1 pc.
- Battery - 2 pc.
- Transportation case – 1 pc.
- Operating instruction - 1 pc.
- Warranty card - 1 pc.

■ Device components (see page 2-4):

- Fig.A**
1. SDS-plus tool holder
 2. Dust protection hood
 3. Locking sleeve
 4. Fixing button to fit the drilling depth limiter
 5. Button to release locking of the operation mode selector switch
 6. Operation mode selector switch
 7. Rotation direction switch
 8. On/off switch

9. Battery
10. Auxiliary handle
11. Auxiliary lighting
12. Drilling depth limiter

- Fig.B**
13. Charger
 14. Battery level indicator button
 15. Battery indicator to show the battery status of charge

- Fig.C**
16. Battery lock clip

- Fig.D**
17. Drill bit

- Fig.F**
18. Rubber ring for dust collection

- Fig.H**
19. Securing bolt for the drilling chuck with a toothed ring*

20. Drilling chuck with a toothed ring*

21. Adapter stud to fix the drilling chuck to the SDS-plus socket*

- Fig.J**
22. Key for the drilling chuck with a toothed ring*

23. Drilling chuck sleeve *

* Not all accessories presented or described herein are provided as standard with the power tool.

TECHNICAL PARAMETERS:

Model		TMM20
Supply voltage		20 V d.c.
Rotation speed under no-load conditions		$n_0=0-1850/\text{min}$
Impact energy		2 J
Drill chuck		SDS-plus
Maximum drilling diameter	Wood	30 mm
	Steel	13 mm
	Concrete	18 mm
Weight (with battery)		2,75 kg
Acoustic pressure level (LpA)		93,6 dB(A)
Acoustic power (LwA)		104 dB(A)
Tolerance of measurements $K_{\text{pA}}, K_{\text{wA}}$		3 dB(A)
Vibration level according to EN 62841	main handle $a_{\text{h,HD}}$	$5,677 \text{ m/s}^2$
	auxiliary handle $a_{\text{a,HD}}$	$6,334 \text{ m/s}^2$
Tolerance of measurements K		$1,5 \text{ m/s}^2$
Battery type		Li-ion
Battery charging voltage		20 V
Battery capacity		4 Ah
Charger power voltage		220-240V AC, 50-60Hz
Charger output voltage		20V DC, 2A
Charging time		120 min

The vibration level value given refers to basic application of the tool. If the tool is used for other applications or with other tools, or if it is not maintained properly, the vibration level may differ from the values given. The above-mentioned causes may lead to higher exposure to vibrations during the whole work time.

One must implement additional safety measures to protect the operators from exposure to vibrations, such as maintenance of the electric tool and work tools, assurance of proper hand temperature, or determination of the sequence of work operations.

The declared total vibrations and declared noise emissions were measured in accordance with a standard test method and may be used for tool

comparison.

The declared total vibrations and noise emissions can be used in preliminary exposure assessment.

Warnings:

The vibrations and noise emissions during the actual use of the power tool may differ from the declared values depending on how the tool is used and on the type of the workpiece in particular.

Determine safeguards to protect the operator. They should be based on the estimated exposure under actual operational conditions (taking into account all parts of the operating cycle such as when the tool is switched off or idle except the start time).

PREPARATION FOR WORK:

Prior to each use of the tool one has to check whether moving parts of the device are in operating conditions, not seized, cracked or damaged that may affect proper operation of the tool. Damaged tools must be handed over for repairs before they can be used again.

■ Charging the battery

The rotary hammer is supplied with a partially charged battery. You can check the battery level with the battery level indicator button (14) (see Fig. B). A single LED means the battery level is low, two LEDs mean medium level, and three LEDs mean full battery. Please fully charge the battery before use.

1. Press the battery lock button (16) and take the battery (9) out of the rotary hammer (see Fig. C).
2. Connect the battery (9) to the charger (13) (see Fig. B).
3. Connect charger to an electrical socket 220-240 V, 50-60Hz.

■ Battery charging indicator

A green LED light indicates that the charger is connected to a power source. After the battery is connected, the red LED is on to indicate charging. When the battery is fully charged, the red LED goes off and the green LED is on.

After charging, disconnect the charger and remove the battery.

NOTE! The battery may get slightly hot when charging. This is not a malfunction.

The lithium-ion battery can be charged at any moment, without detriment to its life. Interrupting the charging process does not entail a risk of damaging the battery cells.

Battery capacity decreases over time. After 100 charging cycles, the battery life and maximum torque of the drill will decrease slightly. This decrease will continue until the battery reaches its minimum capacity after 250 charging cycles. This is a normal situation and does not mean a fault in the battery kit.

■ Auxiliary handle

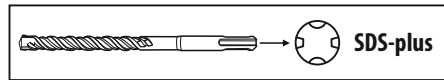
Always work with use of the auxiliary handle (10). Risk of accidents at work can be avoided or mitigated if the machine is reliably held in both hands. The auxiliary handle is to be attached by encompassing the tool holder with the handle clamp and then the clamp is locked by rotating the handle clockwise (see Fig. C).

The auxiliary handle can be swiveled to whichever direction to enable the operator to work in a convenient position of the body and to avoid excessive fatigue. After rotating the handle anticlockwise swivel it to the desired position and the retighten the clamp by rotating the handle clockwise for final fixation.

ADJUSTMENT DURING WORKING WITH THE TOOL:

■ Selection of drilling tools (bits)

For impact drilling in concrete, bricks or stone as well as for chiseling one has to use SDS-plus tools that are to be inserted into the SDS-plus holder (1) of the machine.



To drill boreholes in steel or wood the tools without the SDS-plus functionality are used (e.g. drilling bits with cylindrical shanks). For such tools quick locking drilling chucks or chucks with a toothed ring are necessary.

CAUTION: Do never use tools without the SDS-plus functionality for impact drilling or chiseling! The non-SDS-plus tools and corresponding drilling chucks shall definitely get damaged during impact drilling or chiseling.

■ Tool replacement

The SDS-plus tool holder makes it possible to replace a working tool easily and conveniently with no need to use additional tools.

Due to the system feature, working tools of the SDS-plus type move in the holder with a little play. It is why axial run-out occurs when the machine runs with the idle speed. It has no influence onto dimension accuracy of the borehole to be drilled as the drilling bit is self-centered during drilling.

The dust protection hood (2) substantially prevents from penetration of dust into the tool holder during the machine operation. Take care to avoid damaging the dust hood (2) while inserting a tool into the tool holder. Damaged dust protection hood must be immediately replaced. It is recommended to have the dust hood replaced at a service workshop.

■ Installation of the SDS-plus working tool (Fig. D)

- Clean the rear end of the tool to be installed and grease it slightly. Lithium grease is recommended.
- Move the locking sleeve (3) back as far as possible and hold it in this position.
- Insert the tool into the tool holder by rotating it until resistance is felt.
- Release the lock sleeve.
- Check reliability of locking by pulling the tool outwards.

■ Removing SDS-plus working tool



CAUTION: Right after completion of working the tool may be really hot. Avoid direct contact with a tool and wear appropriate protecting gloves.

- Push back the locking sleeve (3) and remove the tool.
- Clean the working tool carefully after removing it from the chuck.

■ Installation of the drilling chuck with a toothed ring (Fig. H)

- Screw the SDS-plus adapter stud (21) into the drilling chunk with a toothed ring (20).
- Lock the drilling chunk with a toothed ring (20) with use of the securing bolt (19).

NOTE: Please remember that the securing bolt has the left-hand thread.

- Clean the rear end of the tool to be installed and lithium grease it slightly.
- Move the locking sleeve (3) back as far as possible and hold it in this position.
- Slide the adapter stud into the SDS-plus tool holder (1) with simultaneous rotation of the drilling chuck.
- Release the lock sleeve.
- Check reliability of locking by pulling the drilling chuck with a toothed ring outwards.

■ Removing of the drilling chuck with a toothed ring (Fig. I)

- Pull the locking sleeve (3) backwards and slide the drilling chuck with a

toothed ring (20) out of the tool holder.

- After removing the replaceable drilling chuck with a toothed ring (20) must be protected from dirt. When necessary, slightly grease the toothed dog.

■ Installation of working tools without SDS-plus functionalities (Fig.J)

- Install the drilling chuck with a toothed ring (20).
- Open the drilling chuck with a toothed ring by rotating the sleeve so much as to enable sliding the working tool shank into the chuck. Insert the working tool.
- Insert the key (22) into appropriate holes of the drilling chuck with a toothed ring and uniformly fix the working tool.

■ Removing working tools without SDS-plus functionalities



CAUTION: Right after completion of working the tool may be really hot. Avoid direct contact with a tool and wear appropriate protecting gloves.

- Use the key (22) designed for the drilling chuck to rotate the sleeve of the drilling chuck with a toothed ring (23) clockwise until the working tool is released.
- Clean the working tool carefully after removing it from the chuck.

■ Selecting mode



NOTE: Change the operating mode when the power tool is switched off only! Otherwise, the power tool may be damaged.

Use the operating mode selector knob (3) to select the operating mode of the power tool. To change the operation mode it is necessary to depress the button (5) that releases locking of the operation mode selector switch and reposition the switch to the desired position until engagement of the locking pawl is heard.

No-impact drilling:

Set the switch (6) to the symbol -

Impact drilling:

Set the switch (6) to the symbol -

Chiseling (rotation disabled):

Set the switch (6) to the symbol -

When the switch is set to the position 'Chiseling', the impact rate is automatically increased, which enables the tool to perform chiseling with the higher performance.

Repositioning of the chisel:

Insert a chisel into the tool holder.

Rotate the operation mode switch (6) to the position -

Rotate the tool holder to set the chisel to the desired working position.

Set the operation mode selector switch (6) to the position 'Chiseling'. Thus, the tool holder is locked in its position.

While chiseling the operation mode selector switch (6) must always remain in the position 'Chiseling'.

■ Adjustment of the drilling depth (Fig. E)

The drilling depth limiter (12) is designed to set the desired depth of the drilling bit immersion into the material. For that purpose do the following:

- insert the shank of the SDS-plus working tool (17) into the holder (1) and drive it home. Otherwise, excessive play of the SDS-plus tool may lead to incorrect setting of the drilling depth;
- depress the fixing button (4) for the drilling depth limiter and slide the limiter (12) so much as to make the distance between the tip of the drilling bit and the tip of the limiter correspond to the desired drilling depth X,
- lock the depth limiter by releasing the fixing button.

IN USE:

■ Turning on/off

The switch (8) has fluid rotation speed adjustment built-in.

Press the switch to activate the power tool. The rotation speed will increase the further the switch is pushed. To stop the power tool, release the switch.

■ Choosing rotation direction (see Fig. G)

The rotary hammer can work with clockwise (right) or counter-clockwise (left) rotation.

- to select clockwise rotation, move the clockwise/counter-clockwise slider (7) to the left (looking from the back of the rotary hammer),
- to select counter-clockwise rotation, move the clockwise/counter-clockwise slider (7) to the right (looking from the back of the rotary hammer),

When the rotation direction switch is in the middle position, the On/Off switch (8) is locked.

For drilling clockwise operation should be selected. For taking out the drill bit, removing a stuck drill bit, counter-clockwise operation should be selected.

■ Setting of the rotation speed/impact rate

By adjustment of the force the On/Off switch (8) is depressed with one can control the rotation speed/impact rate in the infinitely continuous manner.

Slight depressing the On/Off switch (8) moves the machine with the low rotation speed/impact rate.

The stronger the On/Off switch is depressed the faster the machine rotates.

■ Auxiliary light

The rotary hammer is equipped with an auxiliary light (11) for the area of drilling/chiseling, which turns on after the appropriate switch (8) is pushed.

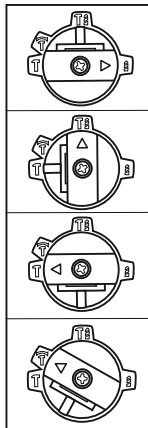
■ Overload safety coupling

When the running tool is seized or jammed, the driving torque is no longer transmitted to the spindle of the rotary hammer. Due to excessive forces and torques occurring when the machine is running operators should always reliably held the machine with two hands and take a steady position of the body.

When the running tool is seized, it is necessary to switch the machine off and release the tool. Be careful as switching the seized machine on leads to strong and rapid reaction torques.

TIPS REGARDING OPERATION:

- To drill holes in ceramic tiles set the operation mode switch (6) to position 'No-impact drilling'. Once the hole in the ceramic tile is ready, set the operation mode switch to position 'impact drill' and continue drilling in this mode.



- When drilling in concrete, stone or walls hard alloy drill bits should be used.
- While drilling holes in a ceiling use a rubber dust collection ring (18), which should be installed on the drill bit (see Fig. F) to protect the tool against the falling dust.
- When drilling in metal use sharp metal drill bits only.

STORAGE AND MAINTENANCE:

The tool must be stored in a place that is not accessible to children and must be kept clean and protected from moisture and dust. The storage conditions should prevent potential mechanical damage and impact of the weather conditions.

CAUTION: Remember to always disconnect the battery from the tool prior to starting the cleaning operations and unplug the charger from the outlet.

The charger may be cleaned exclusively with use of a dry cloth.

External plastic parts of the machine can be cleaned with use of a wet cloth and a mild cleaning agent.

NOTE: NEVER use any solvent-based cleaning agents.

After drilling in concrete, in intensely dusty environments it is recommended to remove dust from ventilation openings and the drill chuck with a stream of compressed air. It will protect bearings and remove the dust obstructing motor cooling air supply.

TRANSPORTATION:

The rotary hammer should be transported and stored in its transportation case that protects the tool from moisture, penetration of dust and fine particles. In particular it is necessary to protect the ventilation openings. Small objects that get into the device can damage the motor.

If the battery is removed for transport or storage, make sure the contacts will not short circuit. Remove metal items such as screws, nails, clasps, loose bits, wires, or metal filings from the case or transport container or otherwise prevent them from touching the battery.

PROTECTION OF THE ENVIRONMENT:



NOTE: The symbol nearby denotes that old equipment must never be thrown away together with other waste (with the penalty of a fine). Hazardous components of electronic equipment may adversely affect the natural environment and

human health.

Each household may contribute to the recovery and reuse (recycling) of old machinery and equipment. Both in Poland and Europe a system for recovery of used equipment either exists or is being created. The system obliges all organizations that sell such equipment to collect the used machinery and appliances. Moreover, general purpose collecting points for such equipment are available.

MANUFACTURER:

PROFIX Co.Ltd.,
34 Marywilka Street,
03-228 Warsaw, POLAND.

This appliance is in conformity with national and European standards as well as with general safety guidelines.

NOTE: In case of technical issues, contact an authorised technical service. Any repairs are allowed to be carried out exclusively by qualified staff with use of original spare parts.

PICTOGRAMS:

Explanation of the icons located on the nominal plate and the information tags:



«Read this instruction before switching on the power supply and starting the work»



«Always wear safety goggles»



«Wear hearing protection»



«Wear a dust mask»

TROUBLESHOOTING GUIDE:

PROBLEM	POSSIBLE CAUSE	REMEDY
The rotary hammer fails to operate.	No power voltage, damaged motor or the power trigger.	Check the battery status, recharge or replace with a new one when necessary. When the problem persists hand over the tool for repair at a service workshop. Please refer to the warranty sheet for addresses of authorized workshops.
Irregularities of the motor operation.	Battery low.	Recharge the battery.
	The battery has reached its maximum thermal limit.	Wait for the battery to cool down.



The policy of the PROFIX company consists in permanent improvements of the offered products and therefore the company reserves the right to make amendments to the product specification without a prior notice. The images included into the operation manual are only of the exemplary nature and may slightly differ from actual appearance of the device purchased.


This instruction manual is protected by copyright. Copying it without the written consent of PROFIX Co. Ltd. is prohibited.



PRZED PRZYSTĄPIENIEM DO UŻYTKOWANIA NALEŻY ZAPOZNAĆ SIĘ Z NINIEJSZĄ INSTRUKCJĄ.

Zachowaj instrukcję do ewentualnego przyszłego wykorzystania.



OSTRZEŻENIE! Należy przeczytać wszystkie ostrzeżenia dotyczące bezpieczeństwa użytkowania oznaczone symbolem  i wszystkie wskazówki dotyczące bezpieczeństwa użytkowania.

Nieprzestrzeganie podanych niżej ostrzeżeń dotyczących bezpieczeństwa i wskazówek dotyczących bezpieczeństwa może być przyczyną porażenia prądem elektrycznym, pożaru i/lub poważnych obrażeń.

Zachowaj wszystkie ostrzeżenia i wskazówki dotyczące bezpieczeństwa, aby móc skorzystać z nich w przyszłości.

W podanych niżej ostrzeżeniach wyrażenie „elektronarzędzie” oznacza elektronarzędzie zasilane z sieci (z przewodem zasilającym) lub elektronarzędzie zasilane z akumulatora (bezprowodowe).



OSTRZEŻENIE! Ogólne ostrzeżenia dotyczące bezpieczeństwa użytkowania narzędzia.

Bezpieczeństwo w miejscu pracy:

- W miejscu pracy należy utrzymywać porządek i dobre oświetlenie. *Nieporządek i złe oświetlenie przyczynia się do wypadków.*
- Nie należy używać elektronarzędzia w środowiskach wybuchowych, tworzonych przez łatwo palne ciecze, gazy lub pyły. *Elektronarzędzie wytwarza iskry, które mogą zapalić pył lub opary.*
- Nie należy dopuszczać dzieci i obserwatorów do miejsc, w których używa się elektronarzędzi. *Rozproszenie uwagi może spowodować utratę kontroli nad elektronarzędziem.*



OSTRZEŻENIE! Ogólne ostrzeżenia dotyczące bezpieczeństwa użytkowania narzędzia.

Bezpieczeństwo elektryczne:

- Wtyczki elektronarzędzi muszą pasować do gniazdek. Nigdy w żaden sposób nie należy przerabiać wtyczki. Nie należy używać żadnych przedłużaczy w przypadku elektronarzędzi mających przewód z żyłą uziemienia ochronnego. Brak przeróbek we wtyczkach i gniazdkach wtyczkowych zmniejsza ryzyko porażenia prądem elektrycznym.
- Należy unikać dotykania powierzchni uziemionych lub zwartych z masą, takich jak rury, ogrzewacze, grzejniki centralnego ogrzewania i chłodziarki. *W przypadku dotknięcia części uziemionych lub zwartych z masą, wzrasta ryzyko porażenia prądem elektrycznym.*
- Nie należy narażać elektronarzędzi na działanie deszczu lub warunków wilgotnych. *W przypadku przedostania się do elektronarzędzia wody, wzrasta ryzyko porażenia prądem elektrycznym.*
- Nie należy nadwierać przewodów przyłączeniowych. Nigdy nie należy używać przewodu przyłączeniowego do przenoszenia, ciągnięcia elektronarzędzia lub wyciągania wtyczki z gniazdka. Należy trzymać przewód przyłączeniowy z daleka od źródeł ciepła, olejów, ostrych krawędzi lub ruchomych części. *Uszkodzone lub zaplątane przewody przyłączeniowe zwiększają ryzyko porażenia prądem elektrycznym.*
- W przypadku, gdy elektronarzędzie używa się na wolnym powietrzu, przewody przyłączeniowe należy przedłużyć

przedłużaczami przeznaczonymi do pracy na wolnym powietrzu. *Używanie przedłużacza przeznaczonego do pracy na wolnym powietrzu zmniejsza ryzyko porażenia prądem elektrycznym.*

- Zaleca się podłączenie urządzenia do sieci elektrycznej wyposażonej w wyłącznik różnicowo-prądowy (RCD) o prądzie wyłączenia 30mA lub mniejszym.
- W przypadku, gdy używanie elektronarzędzia w środowisku wilgotnym jest nieuniknione, jako ochronę przed napięciem zasilania należy stosować urządzenie różnicowoprądowe (RCD). *Zastosowanie RCD zmniejsza ryzyko porażenia prądem elektrycznym.*



OSTRZEŻENIE! Ogólne ostrzeżenia dotyczące bezpieczeństwa użytkowania narzędzia.

Bezpieczeństwo osobiste:

- Niniejszy sprzęt nie jest przeznaczony do użytkowania przez osoby (w tym dzieci) o ograniczonej zdolności fizycznej, czuciowej lub psychicznej, lub osoby nie mające doświadczenia lub znajomości sprzętu, chyba że odbywa się to pod nadzorem lub zgodnie z instrukcją użytkowania sprzętu, przekazanej przez osoby odpowiedzialne za ich bezpieczeństwo.
- Należy być przewidującym, obserwować co się robi i zachowywać rozsądek podczas używania elektronarzędzia. Nie należy używać elektronarzędzia, gdy jest się zmęczonym lub pod wpływem narkotyków, alkoholu lub leków. *Chwila nieuwagi podczas pracy elektronarzędziem może spowodować poważne osobiste obrażenia.*
- Należy stosować wyposażenie ochronne. Należy zawsze zakładać okulary ochronne. *Używanie w odpowiednich warunkach wyposażenia ochronnego, takiego jak maska przeciwpyłowa, obuwie antypoślizgowe, kask lub ochronniki słuchu, zmniejszy osobiste obrażenia.*
- Należy unikać niezamierzonego rozruchu. Przed przyłączeniem do źródła zasilania i/lub przed podłączeniem akumulatora oraz zanim podniesie się lub przeniesie się narzędzie należy upewnić się, że wyłącznik elektronarzędzia jest w pozycji wyłączony. *Przenoszenie elektronarzędzia z palcem na wyłączniku lub przyłączenie elektronarzędzia do sieci zasilającej przy założonym wyłączniku może być przyczyną wypadku.*
- Przed uruchomieniem elektronarzędzia należy usunąć wszystkie klucze. *Pozostawienie klucza w obracającej się części elektronarzędzia może spowodować osobiste obrażenia.*
- Nie należy wychylać się za daleko. Należy cały czas stać pewnie i zachować równowagę. *Umożliwi to lepszą kontrolę nad elektronarzędziem w sytuacjach nieprzewidywalnych.*
- Należy odpowiednio się ubierać. Nie należy nosić luźnego ubrania ani biżuterii. Należy utrzymywać swoje włosy, ubranie i rękawiczki z dala od części ruchomych. *Luźne ubranie, biżuteria lub długie włosy mogą zostać zacepione przez części ruchome.*
- Jeżeli urządzenia są przystosowane do przyłączenia zewnętrznego odciążu pyłu i pochłaniacza pyłu, należy upewnić się, że są one przyłączone i prawidłowo użyte. *Użycie pochłaniacza pyłu może zredukować zagrożenia zależne od zapylenia.*
- Nie pozwól, aby umiejętności uzyskane dzięki częstemu korzystaniu z elektronarzędzia pozwoliły Ci poczuć się pewnym siebie i zignorować zasady bezpieczeństwa. *Nieostrożne działanie*

może spowodować poważne obrażenia w ułamku sekundy.



OSTRZEŻENIE! Ogólne ostrzeżenia dotyczące bezpieczeństwa użytkowania narzędzia.

Użytkowanie i troska o elektronarzędzie:

- a) Nie należy elektronarzędzia przeciążać. Należy stosować elektronarzędzie o mocy odpowiedniej do wykonywanej pracy. Właściwe elektronarzędzie umożliwi pracę lepszą i bezpieczniejszą przy obciążeniu, na jakie zostało zaprojektowane.
- b) Nie należy używać elektronarzędzia, jeżeli łącznik go nie załącza i nie wyłącza. Każde elektronarzędzie, którego nie można załączać lub wyłączać łącznikiem, jest niebezpieczne i musi zostać naprawione.
- c) Należy odłączać wtyczkę ze źródła zasilania elektronarzędzia i/lub odłączyć akumulator przed wykonaniem każdej nastawy, wymiany części lub magazynowaniem. Takie zapobiegawcze środki bezpieczeństwa redukują ryzyko przypadkowego rozruchu elektronarzędzia.
- d) Nieużywane elektronarzędzie należy przechowywać poza zasięgiem dzieci i nie należy pozwalać osobom niezaznajomionym z elektronarzędziami lub niniejszą instrukcją na używanie elektronarzędzia. Elektronarzędzia są niebezpieczne w rękach nieprzeszkolonych użytkowników.
- e) Elektronarzędzia należy konserwować. Należy sprawdzać współosiowość lub zakleszczenie się części ruchomych, pęknięcia części i wszystkie inne czynniki, które mogą mieć wpływ na pracę elektronarzędzia. Jeżeli stwierdzi się uszkodzenia, należy elektronarzędzie przed użyciem naprawić. Przyczyną wielu wypadków jest niefachowy sposób konserwacji elektronarzędzia.
- f) Narzędzia tnące powinny być ostre i czyste. Odpowiednie utrzymywanie ostrych krawędzi narzędzi tnących zmniejsza prawdopodobieństwo zakleszczenia i ułatwia obsługę.
- g) Elektronarzędzie, wyposażenie, narzędzia robocze itp. należy stosować zgodnie z niniejszą instrukcją, biorąc pod uwagę warunki pracy i rodzaj pracy do wykonania. Używanie elektronarzędzia w sposób, do jakiego nie jest przewidziane, może spowodować niebezpieczne sytuacje.
- h) W niskich temperaturach, lub po dłuższym okresie nie użytkowania, zalecane jest włączenie elektronarzędzia bez obciążenia na okres kilku minut w celu właściwego rozprowadzenia smaru w mechanizmie napędu.
- i) Do czyszczenia elektronarzędzi stosować miękką, wilgotną (nie mokra) szmatkę i mydło. Nie stosować benzyny, rozpuszczalników i innych środków mogących uszkodzić urządzenie.
- j) Elektronarzędzie należy przechowywać/transportować po upewnieniu się, że wszystkie jego elementy ruchome są zablokowane i zabezpieczone przed odblokowaniem za pomocą oryginalnych elementów do tego przeznaczonych.
- k) Elektronarzędzie należy przechowywać w miejscu suchym, zabezpieczone przed kurzem i wnikaniem wilgoci.
- l) Transportowanie elektronarzędzia powinno odbywać się w opakowaniu oryginalnym, zabezpieczającym przed uszkodzeniami mechanicznymi.
- m) Uchwyty i powierzchnie chwytne należy utrzymywać czyste i wolne od oleju i smaru. Śliskie uchwyty i powierzchnie chwytne nie pozwalają na bezpieczne trzymanie i kontrolę narzędzia w nieoczekiwanych sytuacjach.



OSTRZEŻENIE! Ogólne ostrzeżenia dotyczące bezpieczeństwa użytkowania narzędzia.

Naprawa:

- a) Naprawy gwarancyjne i pogwarancyjne swoich elektronarzędzi wykonuje Serwis PROFIX, co gwarantuje najwyższą jakość napraw oraz stosowanie oryginalnych części zamiennych.



OSTRZEŻENIE! Miotawiertarka akumulatorowa, ostrzeżenia dotyczące bezpieczeństwa –

Bezpieczeństwo osobiste:

- a) Podczas pracy należy stosować środki ochrony słuchu. Długotrwały wpływ hałasu może spowodować utratę słuchu.
 - b) Podczas wykonywania prac, przy których narzędzie robocze mogłoby natrafić na ukryte przewody elektryczne, elektronarzędzie należy trzymać za izolowane powierzchnie rękojeści. Kontakt z przewodem sieci zasilającej może spowodować przekazanie napięcia na części metalowe elektronarzędzia, co mogłoby spowodować porażenie prądem elektrycznym.
 - c) Należy używać odpowiednich przyrządów poszukiwawczych w celu lokalizacji ukrytych przewodów zasilających, lub poprosić o pomoc administrację obiektu. Kontakt z przewodami znajdującymi się pod napięciem może doprowadzić do powstania pożaru i porażenia elektrycznego. Uszkodzenie przewodu gazowego może doprowadzić do wybuchu. Wniknięcie do przewodu wodociągowego powoduje szkody rzeczowe.
 - d) Nie należy obrabiać materiału zawierającego azbest. Azbest powoduje chorobę nowotworową.
 - e) Miejsce pracy należy utrzymywać w czystości. Mieszanki materiałów są szczególnie niebezpieczne. Pył z metalu lekkiego może się zapalić lub wybuchnąć.
 - f) Należy zabezpieczyć obrabiany przedmiot. Upewnić się, czy wszystkie zaciski mocujące są ściśnięte i zweryfikować, aby nie było przesadnego luzu. Zamocowanie obrabianego przedmiotu w urządzeniu mocującym lub imadło jest bezpieczniejsze niż trzymanie go w ręku.
 - g) Narzędzia używać z dodatkowymi rękojeściami dostarczonymi z narzędziem. Utrata kontroli może spowodować osobiste obrażenia operatora.
 - h) Elektronarzędzie podczas pracy należy mocno trzymać oburącz i dbać o stabilną pozycję. Elektronarzędzie prowadzone jest bezpieczniejszym obydwu rękach.
 - i) Należy natychmiast wyłączyć elektronarzędzie, gdy zablokuje się używane narzędzie. Należy być przygotowanym na wysokie wibracje, które powodują odrzut. Używane narzędzie zablokuje się, gdy: elektronarzędzie jest przeciążone, lub gdy skrzywi się w obrabianym przedmiocie.
 - j) Przed odłożeniem elektronarzędzia, należy poczekać, aż znajdzie się ono w bezruchu. Narzędzie robocze może się zablokować i doprowadzić do utraty kontroli nad elektronarzędziem.
 - k) Elektronarzędzie należy używać wyłącznie z baterią akumulatorów specjalnie przeznaczoną do ich zasilania. Użycie innej baterii akumulatorów może stwarzać ryzyko obrażeń lub pożaru.
- Instrukcje bezpieczeństwa podczas używania długich wiertel:**
- a) Nigdy nie pracuj z większą prędkością niż maksymalna prędkość obrotowa wiertła. Zawsze rozpoczynaj wiercenie z małą prędkością i po zetknięciu wiertła z przedmiotem obrabianym. Przy wyższych prędkościach, wiertło może się wyginać, jeśli obraca się swobodnie bez kontaktu z przedmiotem obrabianym, powodując obrażenia ciała.

- b) Podczas wiercenia dociskaj wiertło do przedmiotu obrabianego w jednej linii z wiertłem, nie należy zbyt mocno dociskać wiertła. Wiertła mogą się wyginać, powodując uszkodzenie lub utratę kontroli, co może spowodować obrażenia ciała.



OSTRZEŻENIE! Bezpieczne użytkowanie akumulatorów i ładowarek –

Użytkowanie akumulatorów:

- a) Należy używać tylko akumulatorów zgodnych ze specyfikacją podaną przez producenta. W przypadku użycia innych akumulatorów może wystąpić pęknięcie i rozpadnięcie się akumulatora, uszkodzenie ciała lub pożar.
- b) **UWAGA: W przypadku uszkodzenia i niewłaściwego użytkowania akumulatora może dojść do wydzielania się gazów wybuchowych. Akumulator należy zawsze utrzymywać z dala od źródła ognia oraz zapewnić odpowiednią wentylację podczas ładowania. Nie wolno pozostawić go na dłuższy czas w środowisku, w którym panuje wysoka temperatura (w miejscach nasłonecznionych, w pobliżu grzejników lub gdziekolwiek tam, gdzie temperatura przekracza 40 stopni).**
- c) Ładowanie akumulatora powinno odbywać się w zakresie temperatur 15-25 °C.
- d) Ładować należy wyłącznie ładowarką zalecaną przez wytwórcę. Użycie ładowarki przeznaczonej do ładowania innego typu baterii akumulatorów stwarza ryzyko powstania pożaru.
- e) Nie wystawiać akumulatora na działanie wody i wilgoci.
- f) Jeśli zamierza się ładować kolejno więcej niż jeden akumulator, należy zrobić przerwę 30 minutową pomiędzy ładowaniami.
- g) W żadnym wypadku nie należy otwierać akumulatora.
- h) W niekorzystnych warunkach z akumulatora może wydostać się ciecz; należy unikać kontaktu z cieczą. Jeżeli przypadkowo nastąpi zetknięcie użytkownika z cieczą, miejsce zetknięcia należy przemyć wodą. Jeżeli ciecz trafi do oczu, dodatkowo należy szukać pomocy medycznej.
Wydostająca się z akumulatora ciecz może spowodować podrażnienia lub oparzenia.
- i) W czasie, gdy bateria akumulatorów nie jest używana, należy ją przechowywać z dala od metalowych przedmiotów takich, jak spinacze do papieru, monety, klucze, gwoździe, śruby, lub inne małe elementy metalowe, które mogą zewrzeć zaciski akumulatorów. Zwarcie zacisków akumulatora może spowodować oparzenia lub pożar.
- j) Nie wrzucać akumulatorów do ognia.
- k) Nie wolno ładować uszkodzonego akumulatora.



Akumulatory są przeznaczone do wielokrotnego ładowania, zawierają szkodliwy dla środowiska lit.

Po zakończeniu okresu żywotności należy je zutylizować zgodnie z przepisami o ochronie środowiska naturalnego.

W tym celu całkowicie wyczerpać akumulator, wyjąć z elektronarzędzia, zdać do punktu utylizacji akumulatorów lub zdać do sklepu, w którym dokonano zakupu.

Użytkowanie ładowarki:

- a) Ładować należy wyłącznie ładowarką zalecaną przez wytwórcę. Użycie ładowarki przeznaczonej do ładowania innego typu baterii akumulatorów stwarza ryzyko powstania pożaru.

- b) Nie wolno rozkręcać ładowarki.

c) Ładowarka jest przeznaczona wyłącznie do pracy wewnątrz pomieszczeń. Nie wolno jej narażać na działanie wody i wilgoci.

d) Ładować tylko w zakresie temperatur 15-25 stopni.

e) Nie wolno wkładać jakichkolwiek przedmiotów metalowych do ładowarki.

PRZEZNACZENIE I BUDOWA MŁOTOWIERTARKI:

Młotowiertarka akumulatorowa jest przeznaczona do wiercenia udarowego otworów w betonie, cegle i kamieniu oraz do lżejszych prac związanych z dłutowaniem. Stosować ją można również do wiercenia bez udaru w drewnie, metalu, ceramice i tworzywie sztucznym.

Kategorycznie wyklucza się wykorzystanie urządzenia do wszelkich innych celów.

Młotowiertarka jest przeznaczona wyłącznie do użytku amatorskiego.

Nie wolno wykorzystywać narzędzia do wykonywania prac wymagających zastosowania profesjonalnego urządzenia.

Każde użycie urządzenia niezgodne z przeznaczeniem podanym wyżej jest zabronione i powoduje utratę gwarancji oraz brak odpowiedzialności producenta za powstałe w wyniku tego szkody.

Jakiegolwiek modyfikacje urządzenia dokonane przez użytkownika zwalniają producenta z odpowiedzialności za uszkodzenia i szkody wyrządzone użytkownikowi i otoczeniu.

Pomimo zgodnego z przeznaczeniem stosowania nie można całkowicie wyeliminować określonych czynników ryzyka resztkowego. Ze względu na konstrukcję i budowę maszyny mogą wystąpić następujące niebezpieczeństwa:

- dotknięcie obracającego się wiertła w trakcie pracy ręką lub ubraniem operatora;
- oparzenie przy wymianie wiertła. (Podczas pracy wiertło bardzo się rozgrzewa, żeby uniknąć oparzenia przy jego wymianie należy stosować rękawice ochronne);
- odrzucenie przedmiotu obrabianego lub części przedmiotu obrabianego;
- skrzywienie/złamanie wiertła.

■ Kompletacja:

- Młotowiertarka - 1 szt.
- Ładowarka - 1 szt.
- Akumulatory - 2 szt.
- Kufer transportowy - 1 szt.
- Instrukcja obsługi - 1 szt.
- Karta gwarancyjna - 1 szt.

■ Elementy urządzenia (patrz str. 2-4):

Rys.A 1. Uchwyt narzędziowy SDS-plus

2. Osłona przeciwpływa

3. Tuleja zaryglowania

4. Przycisk mocowania ogranicznika głębokości wiercenia

5. Przycisk zwalnający blokadę przełącznika trybu pracy

6. Przełącznik trybu pracy

7. Przełącznik kierunku obrotów

8. Włącznik

9. Akumulator

10. Rękojeść pomocnicza
 11. Oświetlenie pomocnicze
 12. Ogranicznik głębokości wiercenia

Rys.B 13. Ładowarka

14. Przycisk wskaźnika poziomu naładowania baterii
 15. Wskaźnik poziomu naładowania baterii

Rys.C 16. Przycisk blokady akumulatora

Rys.D 17. Wiertło

Rys.F 18. Pierścień gumowy do zbierania pyłu

Rys.H 19. Śruba zabezpieczająca uchwyt wiertarski z wiercieniem zębatym*

20. Uchwyt wiertarski z wiercieniem zębatym*
 21. Trzpień mocujący SDS-plus do uchwytu wiertarskiego*

Rys.J 22. Klucz do uchwytu wiertarskiego z wiercieniem zębatym*

23. Tuleja uchwytu*

* Opisany lub przedstawiony osprzęt nie należy w całości do wyposażenia standardowego elektronarzędzia.

DANE TECHNICZNE:

Model		TMM20
Napięcie zasilania		20 V d.c.
Prędkość obrotowa bez obciążenia		$n_z = 0-1850/\text{min}$
Energia uderu		2 J
Uchwyt wiertarski		SDS-plus
Maksymalna średnica wiercenia	drewno	30 mm
	stal	13 mm
	beton	18 mm
Waga (z akumulatorem)		2,75 kg
Poziom ciśnienia akustycznego (LpA)		93,6 dB(A)
Poziom mocy akustycznej (LwA)		104 dB(A)
Tolerancja pomiaru K_{pa}, K_{LWA}		3 dB(A)
Poziom wibracji wg EN 62841	uchwyt główny $a_{h,HD}$	5,677 m/s^2
	uchwyt pomocniczy $a_{h,HD}$	6,334 m/s^2
Tolerancja pomiaru K		1,5 m/s^2
Typ akumulatora		Li-ion
Napięcie ładowania akumulatora		20 V
Pojemność akumulatora		4Ah
Napięcie zasilania ładowarki		220-240V AC, 50-60Hz
Napięcie wyjściowe ładowarki		20V DC, 2A
Czas ładowania		120 min

Podany poziom drgań jest reprezentatywny dla podstawowych zastosowań elektronarzędzia. Jeżeli elektronarzędzie użyte zostanie do innych zastosowań lub z innymi narzędziami roboczymi, a także jeśli nie będzie wystarczająco konserwowane, poziom wibracji może odbiegać od podanego. Podane powyżej przyczyny mogą spowodować podwyższenie ekspozycji na wibracje podczas całego czasu pracy.

Należy wprowadzić dodatkowe środki bezpieczeństwa, mające na celu ochronę operatora przed skutkami ekspozycji na wibracje, np.: konserwacja elektronarzędzia i narzędzi roboczych, zabezpieczenie odpowiedniej temperatury rąk, ustalenie kolejności operacji roboczych.

Deklarowana całkowita wartość drgań i deklarowane wartości emisji hałasu

zostały zmierzone zgodnie ze standardową metodą badawczą i mogą być wykorzystane do porównania jednego narzędzia z innym.

Deklarowane wartości całkowite drgań i deklarowane wartości emisji hałasu można wykorzystać we wstępnej ocenie narażenia.

Ostrzeżenia:

Wibracje i emisja hałasu podczas rzeczywistego użytkowania elektronarzędzia mogą różnić się od deklarowanych wartości w zależności od sposobu, w jaki narzędzia są używane, w szczególności od rodzaju obrabianego przedmiotu.

Należy określić środki bezpieczeństwa w celu ochrony operatora, które opierają się na oszacowaniu narażenia w rzeczywistym stanie użytkowania (biorąc pod uwagę wszystkie części cyklu operacyjnego, takie jak czasy, w których narzędzie jest wyłączone i kiedy pracuje na biegu jałowym za wyjątkiem czasu wyzwalania).

PRZED PRZYSTĄPIENIEM DO PRACY:

Przed każdym użyciem należy skontrolować, czy ruchome części urządzenia funkcjonują prawidłowo i nie są zablokowane, nie są pęknięte lub uszkodzone, co mogłoby mieć wpływ na prawidłowe funkcjonowanie urządzenia. Uszkodzone narzędzie należy przed użyciem oddać do naprawy.

■ **Ładowanie akumulatora**

Młotowiertarka dostarczana z akumulatorami częściowo naładowanymi. Stan naładowania można sprawdzić naciskając przycisk wskaźnika poziomu naładowania baterii (14) (patrz rys. B). Jedna świecąca dioda LED odpowiada niskiemu poziomowi naładowania baterii, dwie świejące diody oznaczają poziom średni, a trzy świejące diody odpowiadają pełnemu naładowaniu akumulatora. Przed użyciem należy w pełni naładować akumulator.

1. Wcisnąć przycisk blokady akumulatora (16) i wyjąć akumulator (9) z młotowiertarki (patrz rys. C).
2. Podłączyć akumulator (9) do ładowarki (13) (patrz rys. B).
3. Podłączyć wtyczkę ładowarki do gniazdka sieciowego 220-240V, 50-60Hz.

■ **Sygnalizacja ładowania baterii**

Świecąca zielona dioda LED na ładowarce informuje o tym, że ładowarka jest podłączona do źródła zasilania. Po podłączeniu akumulatora zapala się dioda czerwona, która informuje, że ładowanie jest w toku.

Gdy bateria będzie całkowicie naładowana czerwona dioda zgaśnie i zapali się dioda zielona.

Po zakończeniu ładowania odłącz ładowarkę z sieci i wyjmij akumulator.

UWAGA! Podczas ładowania akumulator może nieco się nagrzać, jest to sytuacja normalna.

Akumulator litowo-jonowy można doładować w dowolnej chwili, nie powodując tym skrócenia jego żywotności. Przerwanie procesu ładowania nie niesie za sobą ryzyka uszkodzenia ogniw akumulatora.

Pojemność akumulatorów zmniejsza się z czasem. Po 100 cyklach ładowania czas pracy akumulatora i maksymalny moment obrotowy wiertarko-wkrętarci nieznacznie się zmniejszą. Spadek ten będzie trwał, dopóki bateria nie osiągnie minimalnej pojemności po 250 cyklach ładowania. Jest to normalne i nie oznacza usterki zestawu akumulatorów.

■ **Rękojeść pomocnicza**

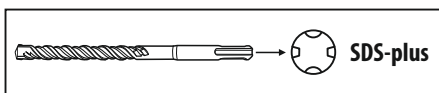
Należy zawsze stosować rękojeść pomocniczą (10). Pewne trzymanie narzędzia oburącz ograniczy ryzyko wypadku przy pracy. Rękojeść pomocnicza mocuje się przekładając obejmę rękojeści przez uchwyt narzędziowy i blokuje przez dokręcenie rączką w kierunku zgodnym z ruchem wskazówek zegara (patrz rys. C).

Aby móc zająć stabilną i niemęczącą pozycję pracy, można dowolnie wychylić rękę pomocniczą. Po przekręceniu rączki w kierunku przeciwnym do kierunku ruchu wskazówek zegara, należy wychylić rękę pomocniczą na żądaną pozycję i ponownie dokręcić rączkę celem ostatecznego jej zamocowania.

W TRAKCIE PRACY:

■ Dobór wiertła

Do wiercenia udarowego w betonie, cegle, kamieniu i obróbki precyzyjnie potrzebne są narzędzia SDS-plus, które wkłada się do uchwyty narzędziowego SDS-plus (1).



W celu wiercenia w stali lub drewnie używa się narzędzi bez SDS-plus (np. wiertła z trzpieniem cylindrycznym). Dla tych narzędzi potrzebne są uchwyty wiertarskie sztywnościskowe lub z wieńcem zębatym.

Wskazówka: Nie należy używać narzędzi bez SDS-plus do wiercenia udarowego lub obróbki przecinakiem! Narzędzia bez SDS-plus i ich uchwyty wiertarski zostaną przy wierceniu udarowym lub obróbce przecinakiem uszkodzone.

■ Wymiana narzędzi

Za pomocą uchwyty narzędziowego SDS-plus można łatwo i wygodnie wymienić narzędzie robocze bez używania dodatkowych narzędzi.

Ze względów systemowych narzędzie robocze SDS-plus ma swobodę poruszania. Dlatego na biegu jałowym występuje bicie. Nie ma to żadnego wpływu na dokładność wiercenia otworu, ponieważ wiertło samoczynnie centruje się podczas wiercenia.

Osłona przeciwpylowa (2) zapobiega w dalszej mierze wnikaniu pyłu do uchwyty narzędziowego podczas pracy. Należy uważać przy wkładaniu narzędzia na to, by nie uszkodzić osłony przeciwpylowej (2).

Uszkodzoną osłonę przeciwpylową należy natychmiast wymienić. Poleca się zlecić przeprowadzenie wymiany w punkcie serwisu.

■ Wkładanie narzędzia roboczego SDS-plus (rys. D)

- Końcówkę montowanego narzędzia należy oczyścić i lekko nasmarować. Zaleca się stosowanie smaru litowego.
- Przesunąć tuleję zaryglowania (3) maksymalnie do tyłu i przytrzymać w tej pozycji.
- Oprzyrządowanie należy wkładać do uchwyty narzędziowego kręcąc nim aż do momentu, gdy wejdzie ono do oporu.
- Zwolnić tuleję zaryglowania.
- Skontrolować zaryglowanie przez pociągnięcie narzędzia.

■ Wymijanie narzędzia roboczego SDS-plus

UWAGA: Tuż po zakończeniu pracy narzędzia robocze mogą być gorące. Należy unikać bezpośredniego kontaktu z nimi i stosować odpowiednie rękawice ochronne.

- Przesunąć tuleję zaryglowania (3) do tyłu i wyjąć narzędzie.
- Narzędzia robocze po wyjęciu należy oczyścić.

■ Montaż uchwyty wiertarskiego z wieńcem zębatym (rys. H)

- Wkręcić trzpień mocujący SDS-plus (21) do uchwyty wiertarskiego z wieńcem zębatym (20).
- Zabezpieczyć uchwyty wiertarski z wieńcem zębatym (20) za pomocą śruby zabezpieczającej (19).

UWAGA: Należy pamiętać, że śruba zabezpieczająca ma gwint lewo-

skrętny.

- Oczyścić wtykany koniec trzpienia mocującego i lekko go nasmarować smarem litowym.
- Przesunąć tuleję zaryglowania (3) maksymalnie do tyłu i przytrzymać w tej pozycji.
- Obracając uchwyty wiertarski wsunąć trzpień mocujący do uchwyty narzędziowego SDS-plus (1).
- Zwolnić tuleję zaryglowania.
- Sprawdzić zaryglowanie przez pociągnięcie za uchwyty wiertarski z wieńcem zębatym.

■ Demontaż uchwyty wiertarskiego z wieńcem zębatym (rys. I)

- Przesunąć tuleję zaryglowania (3) do tyłu i zdjąć uchwyty wiertarski z wieńcem zębatym (20).
- Po zdemontowaniu należy chronić wymienny uchwyty wiertarski z wieńcem zębatym (20) przed zabrudzeniem. W razie potrzeby należy lekko nasmarować użębienie zabieraka.

■ Wkładanie narzędzi roboczych bez SDS-plus (rys. J)

- Założyć uchwyty wiertarski z wieńcem zębatym (20).
- Otworzyć uchwyty wiertarski z wieńcem zębatym obracając tuleję na tyle, aż możliwe będzie włożenie narzędzia roboczego. Włożyć narzędzie robocze.
- Włożyć klucz (22) w odpowiednie otwory uchwyty wiertarskiego z wieńcem zębatym i unieruchomić równomiernie narzędzie robocze.

■ Wymijanie narzędzia roboczego bez SDS-plus



UWAGA: Tuż po zakończeniu pracy narzędzia robocze mogą być gorące. Należy unikać bezpośredniego kontaktu z nimi i stosować odpowiednie rękawice ochronne.

- Za pomocą klucza do uchwyty wiertarskiego (22) obracać tuleję uchwyty wiertarskiego z wieńcem zębatym (23) w kierunku zgodnym z ruchem wskazówek zegara, aż będzie możliwe wyjęcie narzędzia roboczego.
- Narzędzia robocze po wyjęciu należy oczyścić.

■ Przełączanie trybu pracy

UWAGA: Zmiany trybu pracy dokonywać tylko wtedy, gdy elektronarzędzie jest wyłączone! W przeciwnym razie elektronarzędzie może ulec uszkodzeniu.

Za pomocą przełącznika trybu pracy (6) można wybrać tryb pracy elektronarzędzia. Aby zmienić tryb pracy należy wcisnąć przycisk zwalnający blokadę (5) i przestawić przełącznik trybu pracy na żądaną pozycję, aż do słyszalnego zaskoczenia zapadki.

Wiercenie:

Przestawić przełącznik (6) na symbol - .

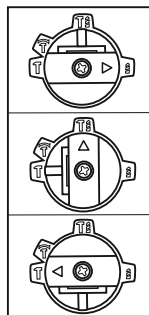
Wiercenie z udarem:

Przestawić przełącznik (6) na symbol - .

Łutowanie (blokada obrotów):

Przestawić przełącznik (6) na symbol - .

W pozycji «Łutowanie» w momencie włączenia urządzenia ilość uderzeń zostaje automatycznie zwiększona; dzięki temu podczas łutowania narzędzie pracuje ze zwiększoną mocą.



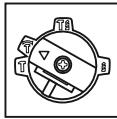
Zmiana położenia dłuta:

Włóż dłuto do uchwytu narzędziowego.

Przełącznik trybu pracy (6) obrócić w położenie - T. Obrócić uchwyt narzędziowy ustawiając dłuto w zadanej pozycji roboczej.

Przełącznik trybu pracy (6) ustawić w położeniu «Dłutowanie». W ten sposób uchwyt narzędziowy zostaje w swoim położeniu zablokowany.

Przełącznik trybu pracy (6) w czasie dłutowania musi zawsze pozostawać w pozycji «Dłutowanie».



■ Ustawianie głębokości wiercenia (rys. E)

Ogranicznikiem głębokości wiercenia (12) można ustawić pożądaną wielkość zagłębienia wiertła w materiał. Dla tego należy:

- włożyć trzpień narzędzia roboczego SDS-plus (17) do uchwytu (1) i osadzić go do oporu. W przeciwnym razie luz narzędzia SDS-plus może spowodować nieprawidłowe ustawienie głębokości wiercenia;
- wcisnąć przycisk mocowania ogranicznika głębokości wiercenia (4) i wyciągnąć ogranicznik (12) na tyle, by odległość pomiędzy końcówką wiertła, a końcówką ogranicznika głębokości wynosiła pożądaną głębokość wiercenia X;
- zablokować ogranicznik, zwalniając nacisk na przycisk mocowania.

W TRAKCIE PRACY:

■ Włączanie/wyłączanie

Zainstalowany włącznik (8) posiada płynną regulację prędkości obrotowej.

Aby włączyć elektronarzędzie należy nacisnąć włącznik. Prędkość obrotowa będzie się zwiększała wraz z głębokością wciśnięcia przycisku. Aby zatrzymać elektronarzędzie należy zwolnić włącznik.

■ Wybór kierunku obrotów (patrz rys. G)

Młotowiertarka ma możliwość pracy z obrotem wkręcania zgodnie z ruchem wskazówek zegara (obroty prawe) lub wykrcania sprzecznie z ruchem wskazówek zegara (obroty lewe):

- aby ustawić prawe obroty, należy przesunąć suwak przełącznika lewych / prawych obrotów (7) w lewo (patrzac z tyłu młotowiertarki),

- aby ustawić lewe obroty, należy przesunąć suwak przełącznika lewych / prawych obrotów (7) w prawo (patrzac z tyłu młotowiertarki).

Gdy przełącznik kierunku obrotów znajduje się w pozycji środkowej to włącznik (8) jest zablokowany.

Do wiercenia należy ustawić prawe obroty. Do wycofywania wiertła, wyjmowania zaklinowanego wiertła należy ustawić lewe obroty.

■ Nastawianie prędkości obrotowej/iłosci udarów

Przez zwiększenie lub zmniejszenie nacisku na włącznik (8) można prędkość obrotową/iłosc udarów nastawić bezstopniowo.

Lekki nacisk na włącznik (8) powoduje małą prędkość obrotową/iłosc udarów.

Zwiększony nacisk podwyższa prędkość obrotową/iłosc udarów.

■ Oświetlenie pomocnicze

Młotowiertarka wyposażona jest w oświetlenie pomocnicze (11) miejsca wiercenia/dłutowania, które włącza się po przyścisnięciu włącznika (8).

■ Sprzętło przeciężeniowe

W przypadku, gdy używane narzędzie zakleszczyło się lub zablokowało się, to napęd do wrzeciona młotowiertarki zostaje przerwany. Elektronarzędzie należy trzymać zawsze, ze względu na występujące przy tym siły, mocno w obydwu rękach i zająć pewną pozycję pracy.

W przypadku zablokowania elektronarzędzia, należy je wyłączyć i

zwolnić narzędzie robocze. Podczas włączania zablokowanej młotowiertarki powstają momenty silnego odrzutu.

WSKAZÓWKI DOTYCZĄCE PRACY:

- Aby wiercić otwory w płytach ceramicznych należy przestawić przełącznik trybu pracy (6) w położenie «wiercenie». Po przewierceniu otworu w płytce ceramicznej należy przestawić przełącznik trybu pracy w położenie «wiercenie z uderzeniem» i pracować dalej z uderzeniem.
- Przy pracach w betonie, kamieniu i murze należy używać wiertła ze stopu twardego.
- Przy wierceniu otworów w suficie dla zabezpieczenia przed opadającym pyłem należy używać pierścienia gumowego do zbierania pyłu (18), który zakłada się na wiertło (patrz rys. F).
- Do wiercenia w metalu należy używać tylko ostrych wiertel do metalu.

PRZECHOWYWANIE I KONSERWACJA:

Maszynę należy przechowywać w miejscu, niedostępnym dla dzieci, utrzymywać w stanie czystości, chronić przed wilgocią i zapyleniem. Warunki przechowywania powinny wykluczać możliwość uszkodzeń mechanicznych oraz wpływ czynników atmosferycznych.

UWAGA: Zawsze przed rozpoczęciem czynności czyszczenia i konserwacji należy odłączyć akumulator od urządzenia i wyjąć wtyczkę ładowarki z gniazda zasilającego.

Ładowarkę należy czyścić tylko przy użyciu suchej szmatki.

Zewnętrzne plastikowe części maszyny mogą być oczyszczone za pomocą wilgotnej tkaniny i miękkiego czyszczącego środka.

UWAGA: NIGDY nie należy wykorzystywać środków rozpuszczających.

Po wierceniu w betonie, w środowisku silnie pyłącym zaleca się przedmuchiwanie sprężonym powietrzem otworów wentylacyjnych i uchwytu wiertarskiego. Zapobiegnie to uszkodzeniu łożysk, usunie pył blokujący dopływ powietrza chłodzącego silnik.

TRANSPORT:

Młotowiertarkę transportować i składować w kufrze transportowym, chroniącym przed wilgocią, wnikaniem pyłu i drobnych obiektów, zwłaszcza należy zabezpieczyć otwory wentylacyjne. Drobne elementy, które dostaną się wewnątrz obudowy urządzenia mogą uszkodzić silnik.

W przypadku wyjęcia akumulatora z urządzenia na czas transportu lub magazynowania należy się upewnić, że nie dojdzie do zwarcia styków akumulatora. Z walizki, skrzynki narzędziowej lub pojemnika transportowego należy usunąć części metalowe, jak np. wkrety, gwoździe, klamry, porozrzucone bity, druty lub opiłki metalowe lub w inny sposób zapobiec zetknięciu się tych elementów z akumulatorem.

OCHRONA ŚRODOWISKA:



UWAGA: Przedstawiony symbol oznacza zakaz umieszczania zużytego sprzętu łącznie z innymi odpadami (z zagrożeniem karą grzywny). Składniki niebezpieczne znajdujące się w sprzęcie elektronicznym i elektronicznym wpływają negatywnie na środowisko naturalne i zdrowie ludzi.

Gospodarstwo domowe powinno przyczynić się do odzysku i ponownego użycia (recyklingu) zużytego sprzętu. W Polsce i w Europie tworzony jest lub już istnieje system zbierania zużytego sprzętu, w ramach którego wszystkie punkty sprzedaży ww. sprzętu mają obowiązek przyjmować zużyty sprzęt. Ponadto istnieją punkty zbiórki ww. sprzętu.

PRODUCENT:

PROFIX Sp. z o.o.
ul. Marywilska 34,
03-228 Warszawa

Niniejsze urządzenie jest zgodne z normami krajowymi i europejskimi, oraz z wytycznymi bezpieczeństwa.

UWAGA! W razie problemów technicznych prosimy kontaktować się z uprawnionym serwisem. Wszelkie naprawy muszą być przeprowadzane przez wykwalifikowany personel, używając oryginalnych części zamiennych.

PIKTOGRAMY:

Objaśnienia ikonek znajdujących się na tabliczce znamionowej i naklejkach informacyjnych na urządzeniu:



– «Przed uruchomieniem przeczytać instrukcję obsługi»



– «Zawsze stosować okulary ochronne»



– «Stosować środki ochrony słuchu»



– «Stosować maskę przeciwpyłową»

TYPOWE USTERKI I ICH USUWANIE:

PROBLEM	MOŻLIWA PRZYCZYNA	ROZWIĄZANIE PROBLEMU
Młotowiertarka nie działa.	Brak zasilania, uszkodzenie silnika lub włącznika.	Sprawdzić stan baterii, w razie potrzeby doładować lub wymienić na nową. Jeżeli elektronarzędzie nadal nie działa, należy je wysłać do serwisu naprawczego na adres podany w karcie gwarancyjnej.
Urządzenie nagle się wyłącza.	Rozładowana bateria.	Doładować baterię.
	Akumulator osiągnął maksymalny limit termiczny.	Poczekać, aż akumulator ostygnie.



Polityka firmy PROFIX jest polityką stałego udoskonalania swoich produktów i dlatego firma rezerwuje sobie prawo zmiany specyfikacji wyrobu bez uprzedniego zawiadomienia. Obrazki, podane w instrukcji obsługi, są przykładowe i mogą się nieznacznie różnić od rzeczywistego wyglądu zakupionego urządzenia.

Niniejsza instrukcja jest chroniona prawem autorskim. Kopiowanie/ powielanie jej bez pisemnej zgody firmy Profix Sp. z o.o. jest zabronione.



ИНСТРУКЦИЯ ПО ЭКСПЛУАТАЦИИ АККУМУЛЯТОРНЫЙ ПЕРФОРАТОР ТММ20


Перевод оригинальной инструкции



ПЕРЕД НАЧАЛОМ ЭКСПЛУАТАЦИИ НЕОБХОДИМО ОЗНАКОМИТЬСЯ С НАСТОЯЩЕЙ ИНСТРУКЦИЕЙ.

Хранить инструкцию для возможного применения в будущем.



ПРЕДУПРЕЖДЕНИЕ! Необходимо ознакомиться со всеми предупреждениями, касающимися безопасности при эксплуатации, обозначенными символом  и всеми указаниями по технике безопасности.

Несоблюдение указанных ниже предупреждений, касающихся безопасности и указаний по технике безопасности может привести к поражению электрическим током, пожару и/или серьезным травмам тела.

Необходимо хранить все предупреждения и указания, касающиеся техники безопасности, чтобы можно было воспользоваться ними в будущем.

В указанных ниже предупреждениях слово „электроинструмент“ означает электроинструмент с питанием от сети (посредством электрического кабеля) или электроинструмент, питаемый от аккумулятора (беспроводное питание).



ПРЕДУПРЕЖДЕНИЕ! Общие предупреждения, касающиеся безопасности при эксплуатации инструмента.

Техника безопасности на рабочем месте:

- Необходимо поддерживать порядок и хорошее освещение на рабочем месте.** Беспорядок и плохое освещение являются причиной несчастных случаев.
- На следует использовать электроинструмент во взрывоопасной среде, образующейся легко воспламеняющимися жидкостями, газами или пылью.** Электроинструмент создаёт искры, которые могут привести к воспламенению пыли или испарений.
- Не допускать детей и наблюдателей в места, в которых применяются электроинструменты.** Отвлечение внимания может привести к потере контроля над электроинструментом.



ПРЕДУПРЕЖДЕНИЕ! Общие предупреждения, касающиеся безопасности при эксплуатации инструмента.

Электробезопасность:

- Штепсельные вилки должны соответствовать сетевым розеткам. Ни в коем случае не переделывать каким-либо образом штепсельную вилку. Не применять каких-либо удлинителей электропитания в случае использования электроинструментов, имеющих провод электропитания с защитным заземляющим проводником. *Отсутствие переделок штепсельных розеток и сетевых розеток снижает опасность поражения электрическим током.*
- Необходимо избегать прикосновения к поверхности заземлённых или закороченных на массу элементов, таких как трубы, нагреватели, радиаторы центрального отопления и холодильные агрегаты.** В случае прикосновения заземлённого или закороченного на массу элемента увеличивается опасность поражения электрическим током.
- Не подвергать электроинструменты воздействию дождя**

или влажных условий. В случае попадания в электроинструмент воды увеличивается опасность поражения электрическим током.

- Не создавать опасности повреждения кабеля электропитания.** Ни в коем случае не использовать кабеля электропитания, чтобы переносить или тянуть электроинструмент или для извлечения штепсельной вилки из розетки. Кабель электропитания должен находиться вдали от источников тепла, масел, острых краёв и движущихся частей. *Повреждённые или запутанные кабели электропитания увеличивают опасность поражения электрическим током.*
- Если электроинструмент эксплуатируется на свежем воздухе, следует использовать удлинители кабеля электропитания, предназначенные для работы вне помещений.** *Использование удлинителя кабеля электропитания, предназначенного для работы вне помещений, снижает опасность поражения электрическим током.*
- Рекомендуется подключение устройства к электрической сети, снабжённой выключателем остаточного тока (RCD) с током выключения 30 мА или менее.**
- Если эксплуатация электроинструмента во влажной среде неизбежна, в качестве защиты от напряжения питания необходимо использовать защитное устройство по разностному току (RCD).** *Применение защитного устройства по разностному току снижает опасность поражения электрическим током.*



ПРЕДУПРЕЖДЕНИЕ! Общие предупреждения, касающиеся безопасности при эксплуатации инструмента.

Индивидуальная безопасность:

- Настоящее оборудование не предназначено для эксплуатации лицами (включая детей) с физическими, сенсорными или умственными ограничениями или лицами, не имеющими опыта или не знающими оборудования, разве что это осуществляется под надзором или в соответствии с инструкцией по эксплуатации оборудования, переданной лицами, отвечающими за их безопасность.**
- Необходимо быть предусмотрительным, наблюдать за работой и руководствоваться здравым смыслом во время эксплуатации электроинструмента.** Не следует эксплуатировать электроинструмент в состоянии переутомления или находясь под действием наркотиков, алкоголя или лекарств. *Менювание невнимания во время эксплуатации электроинструмента может быть причиной травмы пользователя.*
- Необходимо применять средства личной защиты. Необходимо обязательно работать с защитными очками.** *Применение в соответствующих условиях средств личной защиты, таких как противовыпальный респиратор, противоскользкая обувь, каска или средства защиты слуха снизит риск получения травмы.*
- Необходимо избегать случайного запуска в работу.**

Прежде чем вставить вилку кабеля электропитания в сетевую розетку или подключить аккумулятор, а также перед тем, как поднять или перенести электроинструмент, необходимо убедиться, что выключатель электроинструмента находится в положении «выключено». Перенос электроинструмента с пальцем на выключателе или подключение электроинструмента к сети питания при включенном выключателе может привести к несчастному случаю.

- д) Прежде, чем запустить электроинструмент в работу, необходимо устранить все ключи. Ключ, оставшийся во вращающейся части электроинструмента, может привести к травме пользователя.
- е) Не следует слишком сильно наклоняться. Необходимо всё время сохранять устойчивость и равновесие. Это позволяет лучше контролировать электроинструмент в неожиданных ситуациях.
- ж) Необходимо иметь соответствующую одежду. Не работайте в свободной одежде или с бижутерией. Необходимо, чтобы волосы пользователя, его одежда и рукавицы находились вдали от движущихся элементов. Свободная одежда, бижутерия или длинные волосы могут быть зацеплены движущимися частями.
- з) Если оборудование приспособлено для присоединения внешнего пылеотвода (пылеулавливающего устройства) и поглотителя пыли, необходимо убедиться, что они присоединены и правильно применяются. Применение поглотителей пыли может уменьшить опасность, связанную с запыленностью.
- и) Не позволяйте, чтобы навыки, приобретенные благодаря частому пользованию электроинструментом, позволили Вам почувствовать себя самоуверенно и проигнорировать правила техники безопасности. Неосторожные действия могут вызвать серьезные травмы в течение доли секунды.



ПРЕДУПРЕЖДЕНИЕ! Общие предупреждения, касающиеся безопасности при эксплуатации инструмента.

Эксплуатация и уход за электроинструментом:

- а) Не допускать перегрузки электроинструмента. Применять электроинструмент с мощностью, соответствующей выполняемой работе. Надлежащий электроинструмент позволит лучше и безопаснее работать при нагрузке, на которую он рассчитан.
- б) Не следует применять электроинструмент, если его выключатель не включается и не выключается. Каждый электроинструмент, который не может включаться или выключаться выключателем, представляет опасность и должен быть передан на ремонт.
- в) Необходимо отсоединить штепсельную вилку от источника питания электроинструмента и/или отсоединить аккумулятор прежде чем выполнить какую-либо установку, замену части или складирование устройства. Такие предупредительные меры безопасности снижают риск случайного запуска электроинструмента в работу.
- г) Неиспользуемый электроинструмент следует хранить в недоступном для детей месте и не разрешать тем, кто незнаком с электроинструментом или настоящей

инструкцией, пользоваться электроинструментом. Электроинструмент опасен в руках необученных пользователей.

- д) Следует выполнять технический уход за электроинструментом. Необходимо проверить соосность или отсутствие заедания (защемления) подвижных элементов, трещин частей, а также все другие факторы, могущие влиять на работу электроинструмента. В случае обнаружения неисправности, необходимо выполнить ремонт электроинструмента. Причиной многих несчастных случаев является непрофессиональный способ выполнения технического ухода.
- е) Режущий инструмент должен быть острым и чистым. Соответствующее содержание и уход за острыми кромками режущего инструмента снижает вероятность защемления и упрощает обслуживание.
- ж) Электроинструмент, оснащение, рабочие инструменты и т. п. необходимо применять в соответствии с настоящей инструкцией, учитывая рабочие условия и вид выполняемой работы. Применение электроинструмента не по назначению может привести к опасным ситуациям.
- з) При низкой температуре или после длительного перерыва в эксплуатации рекомендуется включение электроинструмента без нагрузки на несколько минут с целью распределения смазки в механизме привода.
- и) Для чистки электроинструмента применять мягкую, влажную (не мокрую) тряпку и мыло. Не применять бензина, растворителей и других средств, могущих повредить устройство.
- й) Электроинструмент следует хранить/ транспортировать, убедившись, что все его подвижные элементы заблокированы и защищены от разблокировки при помощи оригинальных элементов, предназначенных для этой цели.
- к) Электроинструмент должен храниться в сухом месте и быть защищенным от пыли и проникания влаги.
- л) Транспортировку электроинструмента необходимо выполнять в оригинальной упаковке, защищающей от механических повреждений.
- м) Держатели и хватательные поверхности следует содержать в чистоте, устранив с них масло и смазку. Скользкие держатели и хватательные поверхности не позволяют безопасно держать инструмент и контролировать его в случае возникновения неожиданных ситуаций.



ПРЕДУПРЕЖДЕНИЕ! Общие предупреждения, касающиеся безопасности при эксплуатации инструмента.

Ремонт:

- а) Гарантийный и послегарантийный ремонт своих электроинструментов выполняет сервисная служба компании PROFIX, что гарантирует высочайшее качество ремонта и использование оригинальных запчастей.



ПРЕДУПРЕЖДЕНИЕ! Аккумуляторный перфоратор, предупреждения по технике безопасности –

Индивидуальная безопасность:

- а) Во время работы с перфоратором применяйте

средства защиты слуха. Длительное воздействие шума может привести к потере слуха.

- б) **Выполняя работы, при которых рабочий инструмент может попасть на скрытую электропроводку, электроинструмент следует держать за изолированные поверхности держателей (рукояток).** Прикосновение к проводу сети питания (кабелю электропитания), находящемуся под напряжением, может привести к попаданию напряжения на металлические части электроинструмента, а это несёт опасность поражения электрическим током.
- в) **Следует применять соответствующие приборы для обнаружения открытых проводов сети питания и попросить о помощь городские коммунальные службы.** Контакт с проводами, находящимися под напряжением, может привести к пожару или поражению электрическим током. Повреждение газопроводной трубы может привести к взрыву. Проникновение в водопроводную трубу ведёт к материальным потерям и может привести к поражению электрическим током.
- г) **Не обрабатывайте материалы с содержанием асбеста.** Асбест является канцерогеном и вызывает раковые заболевания.
- д) **Необходимо поддерживать чистоту в месте выполнения работы.** Смеси материалов представляют особую опасность. Пыль лёгких металлов может воспламениться или взорваться.
- е) **Необходимо закрепить обрабатываемый предмет.** Проверить, все ли крепежные зажимы затяжаты и убедиться, что нет слишком большого зазора. Закрепление обрабатываемого предмета в крепежном устройстве или тисках более безопасно, чем удерживание его рукой.
- ж) **Используйте инструменты с дополнительными рукоятками из комплекта поставки.** Потеря контроля может привести к травме оператора.
- з) **Во время работы следует прочно держать электроинструмент двумя руками за основную и вспомогательную рукоятку и сохранять устойчивое положение.** Перемещение электроинструмента безопасно, если выполняется обеими руками.
- и) **Следует немедленно отключить электроинструмент, если заблокируется используемый рабочий инструмент.** Необходимо быть готовым к большим вибрациям, в результате которых может произойти отброс. Блокировка применёмого рабочего инструмента может произойти, если электроинструмент перегружен или если будет иметь место его искривление в обрабатываемом предмете.
- к) **Не отключивать электроинструмент, пока он не остановится.** Может произойти блокировка рабочего инструмента, в результате чего будет потерян контроль над электроинструментом.
- л) **Электроинструменты следует эксплуатировать только с аккумуляторной батареей, специально предназначенной для их питания.** Применение другой аккумуляторной батареи может привести к травмам или пожару.

Инструкции по безопасности при использовании длинных сверл:

- а) Категорически запрещается работать на скорости, превышающей максимальную скорость вращения сверла. Обязательно начинайте сверление на низкой скорости и после контакта сверла с обрабатываемой деталью. На более высоких скоростях вращения сверло может сонуться, если оно


свободно вращается без контакта с обрабатываемой деталью, что может привести к травме.

- б) **При сверлении прижимайте сверло к обрабатываемой детали на одной линии со сверлом, не прижимайте сверло слишком сильно.** Сверла могут занизьтаться, вызывая повреждение или потерю контроля, что может привести к травме.



ПРЕДУПРЕЖДЕНИЕ! Техника безопасности при эксплуатации аккумуляторов и зарядных устройств.

Эксплуатация аккумуляторов:

- а) **Необходимо применять только аккумуляторы, соответствующие прилагаемой производителем спецификации.** В случае применения других аккумуляторов существует опасность, что корпус аккумулятора треснет и развалится, может иметь место травма тела или пожар.
- б) **ВНИМАНИЕ:** В случае повреждения и неправильной эксплуатации аккумулятора может иметь место выделение взрывоопасных газов. Аккумулятор должен всегда находиться вдали от источника огня. Необходимо обеспечить надлежащую вентиляцию в процессе его зарядки. Запрещено оставлять его на длительное время в среде с высокой температурой (в местах с интенсивным солнечным излучением, вблизи калориферов или там, где температура превышает 40 градусов).
- в) **Зарядка аккумулятора должна осуществляться при температуре 15-25 °C.**
- г) **Зарядку следует осуществлять только при помощи зарядного устройства, рекомендуемого производителем.** Применение зарядного устройства, предназначенного для зарядки аккумуляторных батарей другого типа, может привести к пожару.
- д) **Хранить аккумуляторы от воздействия воды и влаги.**
- е) **Если необходимо зарядить больше одного аккумулятора, требуется сделать 30-минутный перерыв между очередными зарядками.**
- ж) **Категорически запрещено вскрывать аккумулятор.**
- з) **При неблагоприятных условиях из аккумулятора может вытекать жидкость (электролит); необходимо избежать контакта с жидкостью.** Если случайно произойдёт попадание жидкости на пользователя, место попадания необходимо промыть водой. Если жидкость попадёт в глаза, необходимо, кроме того, обратиться за помощью к врачу. Вытекающая из аккумулятора жидкость может привести к раздражению кожи или ожогам.
- и) **Если аккумуляторная батарея не используется, необходимо хранить её вдали от металлических предметов, таких как металлические скрепки, монеты, ключи, гвозди, винты или малые металлические элементы, которые могут привести к короткому замыканию контактов (клемм) аккумуляторов.** Короткое замыкание контактов (клемм) аккумулятора может привести к ожогам или пожару.
- к) **Не бросать аккумуляторы в огонь.**
- л) **Запрещено заряжать повреждённый аккумулятор.**

Аккумуляторы предназначены для многократной зарядки, они содержат вредный для окружающей среды литий. После завершения срока службы необходимо утилизировать аккумуляторы в соответствии с предписаниями по охране окружающей среды.

Для этого необходимо полностью разряженный аккумулятор извлечь из электроинструмента, сдать в пункт сбора отработанных аккумуляторов или сдать в магазин, в котором он был приобретён.

Эксплуатация зарядного устройства:

- а) Зарядку следует осуществлять только при помощи зарядного устройства, рекомендуемого производителем. Применение зарядного устройства, предназначенного для зарядки аккумуляторных батарей другого типа, может привести к пожару.
- б) Запрещено раскручивать (разбирать) зарядное устройство.
- в) Зарядное устройство предназначено только для работы внутри помещения. Нельзя подвергать его воздействию воды или влаги.
- г) Выполнять зарядку только в диапазоне температуры 15-25 градусов.
- д) Запрещено вкладывать какие-либо металлические предметы в зарядное устройство.

ПРЕДНАЗНАЧЕНИЕ И КОНСТРУКЦИЯ ПЕРФОРАТОРА:

Аккумуляторный перфоратор предназначен для высверливания отверстий в древесине, металле, пластмассе, керамике, для ударного сверления в кирпиче, камне, бетоне, а также для лёгких долбежных работ.

Категорически запрещено применять устройство для каких-либо других целей.

Перфоратор предназначен исключительно для бытовых целей. **Запрещено применять его для работ, требующих применения профессионального инструмента.**

Каждое применение устройства, несоответствующее указанному выше назначению, запрещено и ведёт к потере гарантии и отсутствию ответственности производителя за возникший в результате этого ущерб.

Какие-либо модификации устройства, выполненные пользователем, освобождают производителя от ответственности за повреждения и ущерб, причинённый пользователю и окружающей среде.

Даже применяя устройство по назначению, нельзя полностью исключить определённых факторов остаточного риска. С учётом конструкции устройства может иметь место следующая опасность:

- Прикосновение в процессе работы вращающегося сверла рукой или одеждой оператора.
- Возможность ожога при смене сверла. (В процессе работы сверло сильно разогревается и чтобы избежать ожогов при его смене, необходимо применять защитные рукавицы).
- Обтравывание обрабатываемого предмета или его части.
- Искривление или поломка сверла.

■ Состав комплекта

- Аккумуляторный перфоратор - 1 шт.
- Зарядное устройство - 1 шт.
- Аккумуляторы - 2 шт.
- Кейс для транспортировки - 1 шт.
- Инструкция по обслуживанию - 1 шт.
- Гарантийная карта - 1 шт.

■ Элементы устройства (см. стр. 2-4)

Рис.А 1. Держатель инструмента SDS-plus

2. Противопыльный защитный кожух
3. Обойма держателя
4. Кнопка фиксации ограничителя глубины сверления
5. Кнопка снятия блокировки переключателя режима работы
6. Переключатель режима работы
7. Переключатель направления вращения
8. Включатель
9. Аккумулятор
10. Вспомогательная рукоятка
11. Вспомогательное освещение
12. Ограничитель глубины сверления

Рис.В 13. Зарядное устройство

14. Кнопка индикатора уровня заряда батареи
15. Индикатор уровня зарядки батареи

Рис.С 16. Кнопка разблокировки аккумулятора

Рис.Д 17. Сверло

Рис.Е 18. Резиновое кольцо для сборки пыли

Рис.Н 19. Предохраняющий винт для патрона с зубчатым венцом*

20. Сверлильный патрон с зубчатым венцом*
21. Адаптер (переходник) SDS-plus для сверлильного патрона*

Рис.Ж 22. Ключ для сверлильного патрона с зубчатым венцом*

23. Муфта патрона*

* Описанное и представленное оборудование не относится полностью к стандартному оснащению электроинструмента.

ТЕХНИЧЕСКИЕ ПАРАМЕТРЫ:

Модель		TMM20
Напряжение питания		20 В d.c.
Переключатель скоростей		$n_s=0-1850/\text{мин}$
Энергия удара		2 Дж
Сверлильный патрон		SDS-plus
Максимальный диаметр сверления	древесина	30 мм
	сталь	13 мм
	бетон	18 мм
Вес (с аккумулятором)		2,75 кг
Уровень звукового давления (LpA)		93,6 дБ(A)
Уровень звуковой мощности (LwA)		104 дБ(A)
Погрешность измерения $K_{\text{pA}}, K_{\text{wA}}$		3 дБ(A)
Уровень вибрации согл. EN 62841	главная рукоятка $a_{\text{h,HD}}$	5,677 м/с^2
	вспом. рукоятка $a_{\text{в,HD}}$	6,334 м/с^2
Погрешность измерения K		1,5 м/с^2
Тип аккумулятора		Li-ion
Напряжение заряда батареи		20 В
Ёмкость аккумулятора		4Ач
Напряжение питания зарядного устройства		220-240В AC, 50-60Гц
Выходное напряжение зарядного устройства		20В DC, 2А
Время зарядки		120 мин

Указанный уровень вибрации соответствует основным применениям электроинструмента. Если электроинструмент будет использован для других применений или с другими рабочими инструментами, а также, если не будет выполнен соответствующий технический уход, уровень вибрации может отличаться от указанного. Указанные выше причины могут привести к усилению воздействия вибраций в течение всего времени работы.

Необходимо применять дополнительные меры безопасности с целью защиты оператора от воздействия вибрации, а именно: технический уход за электроинструментом и рабочими инструментами, обеспечение соответствующей температуры рук, определение очередности рабочих операций.

Заявленное общее значение вибрации и заявленные значения эмиссии шума были измерены в соответствии со стандартным методом испытаний и могут быть использованы для сравнения одного инструмента с другим.

Заявленные общие значения вибрации и заявленные значения эмиссии шума можно использовать в предварительной оценке подверженности опасности.

Предупреждения:

Вибрация и эмиссия шума во время практического использования электроинструмента могут отличаться от заявленных значений в зависимости от способа, которым инструменты используются, в особенности от типа обрабатываемого предмета.

Следует определить средства безопасности с целью защиты оператора, которые основываются на расчете уровня подверженности опасности в состоянии реального использования (учитывая все этапы операционного цикла, в ходе которых инструмент выключен и когда работает на холостом ходу, за исключением времени высвобождения).

ПРЕЖДЕ ЧЕМ ПРИСТУПИТЬ К РАБОТЕ:

Перед каждым применением следует проверить, правильно ли работают подвижные элементы устройства, проверить отсутствие их блокировки, трещин или повреждений, так как это может иметь влияние на правильную работу электроинструмента. Прежде чем приступить к эксплуатации, необходимо передать повреждённый инструмент на ремонт.

■ Зарядка аккумулятора

Перфоратор поставляется с частично заряженным аккумулятором. Состояние зарядки можно проверить, нажав кнопку индикатора уровня заряда аккумулятора (14) (см. рис. В). Один светящийся светодиод соответствует низкому уровню заряда батареи, два светящихся светодиода показывают средний уровень, а три светящихся светодиода соответствуют полностью заряженному аккумулятору. Прежде чем начать использовать перфоратор, необходимо полностью зарядить аккумулятор.

1. Нажмите кнопку разблокировки аккумулятора (16) и извлеките аккумулятор (9) из перфоратора (рис. С).
2. Подключите аккумулятор (9) к зарядному устройству (13) (см. рис. В).
3. Подключите зарядное устройство к электрической розетке 220-240 В, 50-60Гц.

■ Сигнализация зарядки батареи

Свечение зелёного светодиода означает, что зарядное устройство подключено к источнику питания. После подключения аккумулятора загорится **красный** светодиод, указывающий, что выполняется

зарядка.

Когда аккумуляторная батарея будет полностью заряжена красный светодиод погаснет и загорится зелёный светодиод.

После окончания зарядки, отключите зарядное устройство от сети и извлеките аккумулятор.

ВНИМАНИЕ! Во время зарядки батарея может слегка нагреться, это нормальная ситуация.

Литий-ионный аккумулятор можно заряжать в произвольный момент, без снижения в результате этого его долговечности. Прекращение процесса зарядки не несёт риска повреждения элементов аккумулятора.

Ёмкость аккумулятора со временем уменьшается. После 100 циклов зарядки срок службы батареи и максимальный крутящий момент дрели-шуруповёрта немного уменьшатся. Это снижение будет продолжаться, пока батарея не достигнет минимальной ёмкости после 250 циклов зарядки. Это нормально и не указывает на неисправность аккумуляторной батареи.

■ Вспомогательная рукоятка

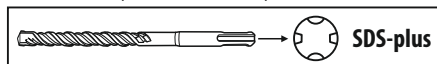
Необходимо обязательно применять вспомогательную рукоятку (10). Уверенное удерживание инструмента двумя руками ограничит возможность несчастного случая во время работы. Чтобы закрепить вспомогательную рукоятку, следует продеть обойму рукоятки через сверлильный патрон, а затем зафиксировать её, завинчивая ручку по часовой стрелке (см. рис. В).

Для того чтобы работать в стабильном, не напрягающем положении, можно произвольно изменять положение вспомогательной рукоятки. После вращения ручки против часовой стрелки, следует повернуть вспомогательную рукоятку в требуемое положение и повторно завинтить ручку, чтобы окончательно закрепить рукоятку.

ВО ВРЕМЯ РАБОТЫ:

■ Выбор сверла

Для ударного сверления в бетоне, кирпиче, камне и для обработки зубилом требуются рабочие инструменты с хвостовиком SDS-plus, вставляемые в держатель системы SDS-plus (1).



Для сверления в стали или в древесине используются рабочие инструменты без хвостовика SDS-plus (напр. сверла с цилиндрическим хвостовиком). Для этих инструментов необходимы сверлильные патроны быстрозажимного типа или с зубчатым венцом.

УКАЗАНИЕ: Не следует применять рабочие инструменты без хвостовика SDS-plus для ударного сверления или обработки зубилом! Рабочие инструменты без хвостовика SDS-plus и их сверлильный патрон в случае выполнения ударного сверления или обработки зубилом будут повреждены.

■ Смена рабочих инструментов

При помощи держателя рабочего инструмента SDS-plus можно простым и удобным способом осуществлять смену рабочего инструмента без использования дополнительных инструментов.

Система SDS-plus отличается тем, что рабочим инструментом имеет определённый люфт. Поэтому на холостом ходу возникают биения.

Это никак не влияет на точность высверливаемого отверстия, поскольку сверло автоматически центрируется в процессе сверления.


Противопыльный защитный кожух (2) в значительной мере предотвращает проникновение пыли в держатель (патрон) рабочего инструмента во время работы. Вставляя рабочий инструмент, необходимо следить, чтобы не повредить противопыльный защитный кожух (2).

Повреждённый противопыльный защитный кожух необходимо немедленно заменить. Замену рекомендуется выполнять в пункте сервисного обслуживания.

■ Установка рабочего инструмента SDS-plus (рис. D)

- Конец устанавливаемого инструмента следует очистить и слегка смазать.
- Передвинуть обойму держателя (3) назад и придержать её в этом положении.
- Рабочий инструмент вставить в держатель, поворачивая его, пока он не войдёт до упора.
- Отпустить фиксирующую обойму.
- Фиксацию необходимо проверить, потянув рабочий инструмент.

■ Снятие рабочего инструмента SDS-plus

 **ВНИМАНИЕ:** Сразу же после окончания работы рабочий инструмент может быть горячим. Избегать непосредственного контакта с ним и использовать соответствующие защитные рукавицы.

- Сдвиньте обойму держателя (3) назад и выньте рабочий инструмент из патрона.
- Рабочий инструмент после извлечения следует очистить.

■ Установка сверлильного патрона с зубчатым венцом (рис. H)

- Ввинтить адаптер SDS-plus (21) в сверлильный патрон с зубчатым венцом (20).
- При помощи предохранительного винта (19) предохранить сверлильный патрон с зубчатым венцом (20) от отсоединения.

ВНИМАНИЕ: Необходимо помнить, что предохранительный винт имеет левую резьбу.

- Очистить вставляемый конец адаптера и слегка его смазать литевой смазкой.
- Передвинуть обойму держателя (3) назад и придержать её в этом положении.
- Вращая сверлильный патрон с зубчатым венцом, вдвигать хвостовик адаптера в держатель SDS-plus (1), пока он не войдёт до упора.
- Отпустить фиксирующую обойму.
- Проверить фиксацию, потянув за сверлильный патрон с зубчатым венцом.

■ Снятие сверлильного патрона с зубчатым венцом (рис. I)

- Оттянуть обойму держателя (3) назад и снять сверлильный патрон с зубчатым венцом (20).
- После снятия сменного сверлильного патрона с зубчатым венцом (20) следует защищать его от загрязнения. В случае необходимости слегка смазать зубья муфты смазкой.


■ Установка рабочего инструмента без хвостовика SDS-plus (рис. J)

- Установить сверлильный патрон с зубчатым венцом (20).

- Открыть сверлильный патрон с зубчатым венцом, вращая муфту, пока не появится возможность вставить рабочий инструмент. Вставить рабочий инструмент.


- Вставить ключ (22) в соответствующие отверстия сверлильного патрона с зубчатым венцом и равномерно зафиксировать рабочий инструмент.

■ Снятие рабочего инструмента без хвостовика SDS-plus

 **ВНИМАНИЕ:** Сразу же после окончания работы рабочий инструмент может быть горячим. Избегать непосредственного контакта с ним и использовать соответствующие защитные рукавицы.

- Используя ключ сверлильного патрона (22) вращать муфту сверлильного патрона с зубчатым венцом (23) по часовой стрелке, пока не станет возможным извлечение рабочего инструмента.
- Рабочий инструмент после извлечения следует очистить.

■ Переключение режима работы

 **ВНИМАНИЕ:** Меняйте режим работы только при выключенном электроинструменте! В противном случае электроинструмент может быть поврежден.

Используя переключатель режима работы (6), можно выбрать режим работы электроинструмента.

Для смены режима работы необходимо нажать кнопку снятия блокировки (5) и установить переключатель режима работы в необходимое положение, до слышимого звука срабатывания защёлки.


Сверление:

Установить переключатель (6) на символ .

Ударное сверление:

Установить переключатель (6) на символ .


Долбление (блокировка вращения):

Установить переключатель (6) на символ .

В положении «Долбление» в момент включения устройства количество ударов автоматически увеличится; благодаря этому во время долбления электроинструмент работает с повышенной мощностью.

Изменение положения зубила:

Вставить зубило в держатель рабочего инструмента.

Переключатель режима работы (6) повернуть в положение .

Повернуть держатель рабочего инструмента, устанавливая зубило в рабочее положение.

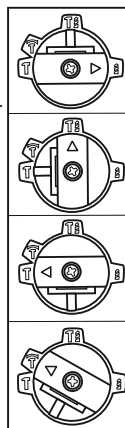
Переключатель режима работы (6) установить в положение «Долбление». При этом держатель рабочего инструмента будет зафиксирован в одном положении.

Переключатель режима работы (6) во время долбления должен обязательно находиться в положении «Долбление».

■ Установка глубины сверления (рис. E)

Ограничителем глубины сверления (12) можно установить требуемую величину углубления сверла в материал. Для этого необходимо:

- вставить хвостовик SDS-plus рабочего инструмента (17) в



держатель (1) и вдвинуть его до упора, иначе подвижность рабочего инструмента с хвостовиком SDS-plus может привести к неправильной установке глубины сверления.

- нажать кнопку фиксации ограничителя глубины сверления (4) и извлечь ограничитель настолько, чтобы расстояние между концом сверла и концом ограничителя глубины соответствовало требуемой глубине сверления X;
- заблокировать ограничитель, отпустив кнопку фиксации.

ВОВРЕМЯ РАБОТЫ:

■ Включение/выключение

Установленный включатель (8) имеет плавную регулировку частоты вращения.

Чтобы включить электроинструмент, необходимо нажать включатель. При увеличении глубины нажатия кнопки увеличивается частота вращения. Для остановки электроинструмента включатель необходимо отпустить.

■ Выбор направления вращения (см. рис. G)

Перфоратор может вращаться в направлении ввинчивания, по часовой стрелке (правое вращение), или в направлении вывинчивания - против часовой стрелки (левое вращение):

- чтобы установить правое вращение, необходимо переместить ползунок переключателя левое / правое вращение (7) влево (если смотреть сзади перфоратора),
- чтобы установить левое вращение, необходимо переместить ползунок переключателя левое / правое вращение (7) вправо (если смотреть сзади перфоратора).

Если переключатель направления вращения находится в центральном положении, включатель (8) заблокирован.

Для сверления необходимо установить правое вращение. Для извлечения сверла, освобождения заклинившего сверла необходимо установить левое вращение.

■ Регулировка частоты вращения / частоты ударов

Увеличивая или уменьшая нажим на включатель (8) можно плавно регулировать частоту вращения / частоту ударов.

При слабом нажиме на включатель (8) частота вращения / частота ударов будет малой.

При более сильном нажиме частота вращения / частота ударов увеличивается.

■ Вспомогательное освещение

- Перфоратор оснащён вспомогательной подсветкой (11) места сверления/долбления, включающейся при нажатии включателя (8).

■ Перегрузочное сцепление

В случае заедания (защемления) или блокировки инструмента, привод перфоратора отключается. В связи с возникающими при этом силами, электроинструмент необходимо обязательно держать обеими руками и занять определённое рабочее положение.

В случае блокировки электроинструмента, необходимо выключить его и освободить рабочий инструмент. Во время включения заблокированного перфоратора возникает момент сильного отброса.

УКАЗАНИЯ ПО РАБОТЕ УСТРОЙСТВА:

- Для сверления отверстий в керамической плитке необходимо

установить переключатель режима работы (6) в положение «сверление». После того, как будет высверлено отверстие в керамической плитке, необходимо переставить переключатель режима работы в положение «ударное сверление» и выполнять далее сверление сударом.

- При сверлении в бетоне, камне и кирпичной стене необходимо применять сверла из твёрдого сплава.
- При сверлении отверстий в потолке, для предохранения от падающей пыли необходимо применять резиновое кольцо для сбора пыли (18), которое надевается на сверло (см. рис. F).
- Для сверления металла необходимо применять только острые сверла для металла.

ХРАНЕНИЕ И ТЕХНИЧЕСКИЙ УХОД:

Машину следует хранить в месте, недоступном для детей, содержать в чистоте, защищать от влаги и попадания пыли. Условия хранения должны исключать возможность механических повреждений и влияния атмосферных условий.

ВНИМАНИЕ: Прежде чем начать процедуры чистки и технического ухода необходимо отключить аккумулятор от дрели-шуруповерта и извлечь штепсельную вилку зарядного устройства из розетки.

Зарядное устройство нужно чистить при помощи сухой тряпочки. Внешние пластмассовые элементы могут быть очищены при помощи влажной ткани и деликатного чистящего средства.

ВНИМАНИЕ: ЗАПРЕЩЕНО применять для чистки растворители.

После сверления в бетоне, в условиях сильной запыленности рекомендуется выполнить продувку сжатым воздухом вентиляционных отверстий и патрона для рабочего инструмента. Это предотвратит повреждение подшипников и устранил пыль, блокирующую приток воздуха, охлаждающего электродвигатель.

ТРАНСПОРТИРОВКА:

Перфоратор следует транспортировать и складировать в кейсе для транспортировки, защищающем от влаги, проникновения пыли и мелких объектов, особенно необходимо защитить вентиляционные отверстия. Мелкие элементы, попавшие вовнутрь корпуса, могут повредить двигатель.

Если вы вынимаете аккумулятор из устройства на время транспортировки или хранения, убедитесь, что контакты аккумулятора не будут закорочены. Из чемодана, ящика для инструментов или транспортного контейнера следует удалить металлические детали, такие как винты, гвозди, крошечные, разбросанные биты, провода или металлические опилки, или иным образом не допустить контакта этих элементов с батареей.

ЗАЩИТА ОКРУЖАЮЩЕЙ СРЕДЫ:



ВНИМАНИЕ: Указанный символ означает запрет размещения использованных электроинструментов вместе с другими отходами (за это грозит наказание в виде штрафа). Опасные компоненты, имеющиеся в электрическом и электронном оборудовании, отрицательно влияют на окружающую среду и здоровье.

Домашнее хозяйство должно способствовать восстановлению и повторному использованию (рециклированию) использованного оборудования. В Польше и в Европе создаётся или уже существует система сбора использованного оборудования, предусматривающая, что все пункты продажи в/у оборудования обязаны

принимать использованное оборудование. Кроме того, имеются пункты приёма в/у оборудования.

ПРОИЗВОДИТЕЛЬ:

ООО «ПРОФИКС»,
ул. Марывильска 34,
03-228 Варшава, ПОЛЬША

Настоящее устройство соответствует польским и европейским стандартам, а также указаниям по технике безопасности.

ВНИМАНИЕ! В случае технических проблем обратитесь в авторизованный сервисный центр. Все работы по ремонту должны выполняться квалифицированным персоналом с применением оригинальных запасных частей.

ПИКТОГРАММЫ:

Описание знаков, имеющихся на щитке и информационных

наклейках на электроинструменте:



— «Перед подключением и началом работы необходимо прочитать инструкцию по эксплуатации»



— «Использовать средства защиты глаз»



— «Использовать средства защиты органов слуха»



— «Использовать средства защиты верхних дыхательных путей»

ТИПИЧНЫЕ НЕИСПРАВНОСТИ И ИХ УСТРАНЕНИЕ:

ПРОБЛЕМА	ВОЗМОЖНАЯ ПРИЧИНА	РЕШЕНИЕ ПРОБЛЕМЫ
Перфоратор не работает.	Отсутствие питания, повреждение электродвигателя или выключателя.	Проверить состояние батареи, в случае необходимости выполнить её подзарядку или заменить на новую. Если электроинструмент всё равно не работает, необходимо отправить его в сервисный пункт по указанному в гарантийной карте адресу.
	Разряжена батарея.	Зарядить батарею.
Нарушение работы электродвигателя.	Аккумулятор достиг максимального температурного предела.	Подождите, пока аккумулятор остынет.



Политика компании PROFIX - это политика постоянного совершенствования своих изделий, поэтому компания сохраняет за собой право изменения спецификации изделия без предварительного уведомления. Изображения, имеющиеся в инструкции, являются примерными и могут незначительно отличаться от фактического вида приобретённого электроинструмента.


Настоящая инструкция по эксплуатации защищена авторскими правами. Запрещено её копирование и размножение без согласия ООО «ПРОФИКС».

RO**INSTRUCȚIUNE DE FOLOSIRE
BORMAȘINĂ CU PERCUȚIE CU ACUMULATORI TMM20**

Traducere din instrucțiunea originală

**ÎNAINTE DE UTILIZARE, CITIȚI ACESTE INSTRUCȚIUNI.**

Păstrează instrucțiunile pentru o folosire viitoare.

**ATENȚIE!** Citește toate avertismentele referitoare la protecția muncii marcate cu simboluri  și toate indicațiile referitoare la utilizarea în siguranță.

Nerespectarea avertismentelor de mai jos, poate duce la accidente și la electrocutare, incendii și/sau la vătămări corporale.

Păstrează toate avertismentele și indicațiile referitoare la protecția muncii, pentru a le folosi în viitor.*În avertismentele de mai jos, termenul "unealtă electrică" înseamnă unealtă care este alimentată de la rețea (cu cablu de alimentare) sau unealtă electrică alimentată din baterie (fără cablu).***ATENȚIE!** Reguli generale de protecție a muncii.**Siguranța la locul de muncă:**

- La locul de muncă păstrează curățenie și bună iluminare. Zonele și bancurile de lucru aglomerate cheamă accidente.
- Nu utilizați unealta electrică în atmosferi explozive, formate din lichide inflamabile, gaze sau lichide. Unelata electrică produce scântei, care pot aprinde praful sau aburul.
- Țineți copiii departe de locurile în care unealta electrică este folosită. Distragerea atenției poate duce la pierderea atenției asupra unei electrice.

**ATENȚIE!** Reguli generale cu privire la utilizarea în siguranță a uneltei.**Siguranța electrică:**

- Ștecherul uneltei electrice trebuie să fie conforme cu priza. Este interzisă modificarea ștecherului. Este interzisă utilizarea prelungitoarelor în cazul uneltelor electrice cu cablu de legare la pământ de protecție. Nemodificarea ștecherelor și a prizelor micșorează riscul de electrocutare.
- Evitați să atingeți suprafața de împământare sau conectările la masă, cum ar fi conducte, radiatoare, radiatoare de încălzire centrală și frigider. În cazul atingerii părților împământate, crește riscul de electrocutare.
- Nu expuneți sculele electrice în condiții de ploaie sau mediu umed. În caz de infiltrație cu apă, crește riscul de electrocutare.
- Nu abuzați de cablurile de conectare. Nu folosiți cablul de alimentare la mutarea, tragerea uneltei sau tragerea ștecherului din priză. Păstrarea cablului de alimentare departe de surse de căldură, ulei, mυχii ascuțiți sau părți în mișcare. Cablurile deteriorate sau încurcate cresc riscul de electrocutare.
- În cazul în care unealta electrică este folosită în aer liber, conectarea trebuie efectuată cu ajutorul prelungitoarelor destinate funcționării în aer liber. Folosirea prelungitorului destinat funcționării în aer liber, micșorează riscul de electrocutare.
- Vă recomandăm să racordați aparatul la o rețea electrică dotată cu un comutator cu curent diferențial (RCD) cu amperaj de acționare de 30mA sau mai mic.
- În cazul în care unealta electrică este folosită în mediu umed, este inevitabilă, utilizarea unui dispozitiv de protecție împotriva tensiunii de alimentare, cum ar fi aplicarea unui dispozitiv de curent rezidual (RCD). Folosirea RCD micșorează riscul

de electrocutare.

**ATENȚIE!** Avertismente generale cu privire la siguranța folosirii uneltei.**Siguranță personală:**

- Acest echipament nu este destinat utilizării de către persoane (inclusiv copii) cu abilități fizice reduse, senzoriale sau mentale, sau de persoane care nu au experiență sau nu cunosc echipamentul, cu excepția cazului în care are loc sub supraveghere sau în conformitate cu instrucția de folosire a echipamentului, de către o persoană responsabilă pentru siguranța lor.
- Trebuie să fii atent, să avari grijă ce faceți și să păstrați bun simț în timpul folosirii uneltei electrice. Nu folosiți unealta electrică, când sunteți obosiți sau sub influența drogurilor, alcoolului sau a medicamentelor. Un moment de neatenție în timpul lucrului cu unelata electrică poate cauza vătămări personale grave.
- Folosiți echipament de protecție. Purtați întotdeauna ochelari de protecție. Folosind echipamentul de protecție cum ar fi masca de praf, pantofi cu anti-alunecare, căști sau protecție auditivă, micșorează riscul de vătămare.
- Evitați pornirea accidentală. Înainte de conectarea la sursa de alimentare și/sau înainte de conectarea bateriei și înainte de ridicarea sau mutarea uneltei asigurativă că comutatorul uneltei electrice este în poziția oprită. Mutarea uneltei electrice cu degetul pe comutator sau conectarea uneltei electrice la rețeaua de alimentare în poziția pornită poate provoca un accident.
- Înainte de pornirea uneltei electrice îndepărtați toate uneltele din apropiere. Lăsarea de unelte pe părțile de mișcare ale uneltei electrice poate duce la vătămări corporale.
- Nu vă apliceți prea mult. Trebuie să stați sigur și să mențineți echilibrul. Acest lucru va permite un control mai bun asupra uneltei electrice în situații neașteptate.
- Îmbrăcați-vă corespunzător. Nu purtați haine largi sau bijuterii. Țineți părul strâns, hainele și mânușile departe de părțile în mișcare. Hainele largi, bijuteria sau părul lung se pot agăța de părțile în mișcare.
- Dacă echipamentul este potrivit pentru conectarea extractorului de praf extern și a colectorului de praf, asigurativă că acestea sunt conectate și folosite corect. Folosirea colectorului de praf poate reduce riscul de pericole legate de praf.
- Nu permiteți ca abilitățile obținute prin utilizarea frecventă a sculei electrice să vă facă să vă simțiți prea încrezători în sine și să ignorați regulile de siguranță. Acțiunile necorespunzătoare pot provoca vătămări grave într-o fracțiune de secundă.

**ATENȚIE!** Avertismente generale cu privire la folosirea în siguranță a uneltei.**Utilizarea și îngrijirea uneltei electrice:**

- Nu supraîncărcați unealta electrică. Utilizați o unealtă electrică în funcție de puterea necesară muncii efectuate. Unelata electrică corectă va permite o funcționare mai bună și este sigură în cazul însărcinării, pentru care a fost proiectată.
- Este interzisă utilizarea uneltei electrice dacă comutatorul nu pornește și nu oprește unealta. Fiecare unealtă electrică care nu pornește sau nu se oprește este periculoasă și trebuie reparată.

- c) **Deconectați ștecherul de la sursa de alimentare a unelei electrice și/sau deconectați bateria înainte de orice setare, schimbare de părți sau depozitare. Aceste mijloace de protecție reduc riscul unei porniri accidentale a unelei electrice.**
- d) **Unealta electrică nefolosită trebuie depozitată departe de copii și nu trebuie împrumutată persoanelor care nu cunosc unealta electrică sau care nu au citit această instrucție de folosire a unelei electrice. Unealta electrică este periculoasă când este folosită de o persoană fără experiență.**
- e) **Unealta electrică trebuie bine întreținută. Trebuie controlată alinierea sau bruierea pieselor în mișcare, ruperea pieselor și alți factori care pot avea influență la funcționarea unelei electrice. Dacă găsim o deteriorare, unealta electrică înaintea folosirii trebuie reparată. Cauza multor accidente este întreținerea necorespunzătoare a unelei electrice.**
- f) **Unelele de tăiere trebuie să fie ascuțite și curate. Înțținerea părților ascuțite ale uneltelor de tăiere reduce riscul de blocare în material și ușurează folosirea.**
- g) **Unealta electrică, echipamentul, unelele de lucru, etc. trebuie folosite în conformitate cu această instrucție, ținând cont de tipul și condițiile de lucru. Utilizarea unelei electrice în alt mod decât este destinația, poate duce la situații periculoase.**
- h) **La temperaturi scăzute, sau după o perioadă îndelungată de nefolosire, este recomandată pornirea unelei electrice fără sarcină pentru câteva minute pentru a distribui corect unsoarea în mecanismul de transmisie.**
- i) **Pentru curățirea unelei electrice folosiți o cârpă moale, umedă (nu udă) și săpun. Nu folosiți benzină, diluanți sau alte mijloace care pot deteriora echipamentul.**
- j) **Unealta electrică trebuie depozitată/transportată numai după ce ne-am asigurat că toate elementele în mișcare sunt blocate și asigurate cu ajutorul elementelor originale destinate blocării.**
- k) **Unealta electrică trebuie păstrată într-un loc uscat, asigurat împotriva prafului și a umezelii.**
- l) **Transportul unelei electrice trebuie să aibă loc în ambalajul original, asigurat împotriva deteriorărilor mecanice.**
- m) **Mănerile și suprafețele de prindere trebuie să fie menținute curate fără ulei și grăsime. Mănerile și suprafețele de prindere alunecoase nu permit ținerea în siguranță și controlul sculei în situații neașteptate.**



ATENȚIE! Avertismente generale cu privire la folosirea în siguranță a unelei.

Repararea:

- a) **Reparații în garanție și postgaranție ale uneltelor dumneavoastră electrice sunt efectuate de Service-ul PROFIX, ceea ce garantează calitatea cea mai ridicată a reparațiilor și utilizarea de piese originale de schimb.**



ATENȚIE! Bormașină cu percuție cu acumulatori, avertizări referitoare la siguranță –

Siguranța personală:

- a) **Folosiți protecție auditivă în timp ce utilizați bormașină cu percuție. Expunerea la zgomot poate provoca pierderea auzului.**
- b) **În timpul lucrului, când este posibil, ca unealta să nimerască cabluri electrice ascunse, unealta electrică trebuie ținută de părțile izolate ale mânerelor. Contactul cu cablul rețelei de alimentare aflate sub tensiune poate cauza transmiterea tensiunii pe părțile metalice ale unelei electrice, fapt ce poate cauza electrocutarea.**
- c) **Utilizați instrumente adecvate de localizare a cablurilor**

ascunse de alimentare sau cereți ajutor de la instituțiile municipale. Contactul cu cablurile aflate sub tensiune poate cauza apariția incendiului sau electrocutarea. Deteriorarea țevii de gaz poate cauza explozie. Perforarea conducte de apă și canalizare poate cauza pagube materiale sau electrocutare.

- d) **Nu prelucrați materiale care conțin azbest. Azbestul este considerat a fi cancerigen.**
- e) **Locul de muncă trebuie păstrat curat. Amestecul de materiale este foarte periculos. Pulberile de metal ușor se pot aprinde sau exploda.**
- f) **Asigurați elementul prelucrat. Asigurați-vă că toate elementele de fixare sunt bine strânse și verificați să nu fie prea mari distanțe. Fixarea elementului prelucrat în echipamentul de fixare sau menținută este mai sigur decât ținerea elementului cu mâna.**
- g) **Unealta trebuie folosită cu mânerul suplimentar livrat cu unealta. Pierderea controlului poate cauza vătămări corporale ale operatorului.**
- h) **Unealta electrică în timpul utilizării trebuie ținută cu ambele mâini de mânerul principal și suplimentar, menținând o poziție stabilă. Utilizarea unelei electrice este mai sigură dacă este ținută cu ambele mâini.**
- i) **Oprii imediat unealta electrică, dacă se blochează unelata folosită. Fiți pregătiți pentru vibrații puternice, care pot duce la recul. Unealta utilizată se blochează când: unelata electrică este supraîncălzită, sau când se îndoaie în element.**
- j) **Înainte de așezarea unelei electrice pe banc, așteptați până unelata se oprește. Unealta folosită se poate bloca și duce la pierderea controlului asupra acesteia.**
- k) **Folosiți unelata electrică doar cu bateria, acumulatorul special proiectat/ă pentru alimentarea acesteia. În cazul în care folosiți altă baterie, acumulator există riscul de rănire sau de incendiu.**

Instrucțiuni de siguranță în cazul utilizării burghiilor lungi:

- a) **Nu lucrați niciodată la o viteză mai mare decât viteza maximă a burghiului. Întotdeauna începeți găurirea la viteză mică, după ce burghiul intră în contact cu piesa de prelucrat. La viteze mai mari, burghiul se poate îndoi, în cazul în care se rotește liber fără contact cu piesa de prelucrat, provocând vătămări corporale.**
- b) **În timpul găuririi, apăsați burghiul pe piesa prelucrată în linie cu burghiul, nu apăsați prea tare burghiul. Burghiile se pot îndoi, provocând deteriorări sau pierderea controlului, ceea ce poate provoca vătămări.**



ATENȚIE! Utilizare sigură a acumulatorilor și încărcătorilor:

Utilizare acumulatori:

- a) **Utilizați numai acumulatorii care corespund la specificarea dată de producător. În cazul utilizării unor alte acumulatori, se poate întâmpla o crăpare, o descompunere, o vătămare corporală sau un incendiu.**
- b) **ATENȚIE: În cazul în care acumulatorul se deteriorează sau este folosit necorespunzător pot apărea emisii de gaze explozive. Acumulatorul trebuie ținut departe de sursa de foc și trebuie să asigurați ventilație corespunzătoare în timp ce este încărcat. Nu lăsați acumulatorul pentru mult timp în mediu cu temperatură ridicată (în locuri expuse la lumina soarelui, în apropierea caloriferelor și în toate locurile unde temperatura depășește 40°C).**
- c) **Încărcarea acumulatorului trebuie să se efectueze în mediu cu temperatura între 15-25 de grade °C.**
- d) **Încărcați unelata doar cu încărcătorul recomandat de producător. În cazul în care folosiți un încărcător proiectat pentru**

Încărcarea altor baterii, acumulatorare există riscul de rănire sau de incendiu.

- e) Nu expuneți acumulatorul la acționarea apei și umidității.
- f) Dacă intenționați să încărcați mai multe decât un singur acumulator, trebuie să faceți o pauză de 30 de minute între încărcării succesive.
- g) În nici un caz nu deschideți acumulatorul.
- h) În condiții nefavorabile din acumulator se poate scurge lichid; evitați contactul cu lichidul. În cazul în care utilizatorul intră în contact cu lichidul, trebuie să spălați locul cu apă. În caz de contact cu ochiul, trebuie să apelați la ajutorul medicului. Lichidul scurs din acumulator poate provoca iritații sau arsuri.
- i) În cazul în care nu utilizați bateria acumulator, trebuie să o depozitați departe de obiecte metalice precum agrafe de birou, monede, chei, cuie, șuruburi, sau alte obiecte metalice de dimensiuni mici, care pot scurtcircuita bornele acumulatorului. Scurtcircuitarea acumulatorului poate provoca arsuri sau incendiu.
- j) Nu aruncați acumulatorii în foc.
- k) Nu încărcați acumulator stricat.



Acumulatorii sunt destinate pentru încărcare multiplă, conțin litiu care este dăunător pentru mediul înconjurător.

După perioada de folosire, acumulatorul trebuie utilizat în conformitate cu legislația despre protecția mediului natural.

În acest sens, acumulatorul trebuie total epuizat, scos din electroutilaj și predat la un punct de utilizare a acumulatorilor sau la magazinul, în care a fost cumpărat.

Utilizare încărcător:

- a) Pentru încărcare folosiți doar încărcătorul recomandat de producător. Folosirea încărcătorului proiectat pentru încărcarea altui tip de baterii acumulatorare poate provoca incendiu.
- b) Încărcătorul livrat poate fi folosit doar pentru a încărca acumulatorii care sunt livrate împreună cu acesta. Dacă încărcați alte acumulatorare, acestea se pot crăpa sau descompune, vă puteți răni sau puteți provoca un incendiu.
- c) Nu demontați încărcătorul.
- d) Încărcătorul poate fi folosit doar în încăperil. Nu expuneți încărcătorul la acțiunea apei și a umidității.
- e) Încărcați doar în interval de temperaturi 15°-25° C.
- f) Nu introduceți niciun fel de obiecte metalice în încărcător.

DESTINAȚIA ȘI CONȘTRUCȚIA BORMAȘINII:

Bormașina cu percuție cu acumulatori este destinată pentru găurirea cu percuție în beton, cărămidă și piatră cât și pentru lucrări ușoare de dăltuire. Poate fi folosită de asemenea pentru găurire fără percuție în lemn, metal, ceramică și plastic.

Se interzice categoric utilizarea aparatului în orice alt scop.

Bormașina cu percuție este destinată numai pentru uz casnic amator.

Este interzisă folosirea unelei pentru executarea de lucrări care necesită unele profesionale.

Fiecare utilizare a aparatului neconformă cu destinația acestuia, astfel cum a fost descrisă mai sus, este interzisă și duce la pierderea garanției și lipsa răspunderii producătorului pentru pagubele apărute în aceste cazuri.

Toate modificările aparatului efectuate de utilizator îl exceptă pe producător de responsabilitate pentru pagubele provocate utilizatorului și mediului.

În ciuda utilizării în conformitate cu destinația, nu pot fi eliminați în totalitate anumiți factori de risc. Datorită construcției și proiectării, putem întâlni următoarele pericole:

- Atingerea cu mâna a burghiului în mișcare, a îmbăcămintii.
- Arsuri în timpul înlocuirii burghiului. (În timpul funcționării burghiului se încălzește, și pentru a evita arsurile în timpul înlocuirii folosiți mânuși de protecție).
- Reculul elementului prelucrat sau a părților acestuia.
- Curbare/ruperea burghiului.

■ Completare

- Bormașina cu percuție cu acumulatori - 1 buc.
- Încărcător - 1 buc.
- Acumulatorii - 2 buc.
- Valiză transport - 1 buc.
- Instrucțiuni de utilizare - 1 buc.
- Garanție - 1 buc.

■ Elementele mașinii (vezi pag. 2-4):

Des.A 1. Mâner unealtă SDS-plus

2. Protecție antipraf

3. Bușă blocare

4. Buton fixare limitator de adâncime de găurire

5. Buton de eliberare blocadă comutator mod de funcționare

6. Comutator mod de lucru

7. Comutator direcție de rotație

8. Buton pornire/oprire

9. Acumulator

10. Mâner auxiliar

11. Iluminat auxiliar

12. Limitator adâncime de găurire

Des.B 13. Încărcător

14. Buton indicator nivel de încărcare baterii

15. Indiciul nivelului de încărcare a bateriei

Des.C 16. Închizător blocadă acumulator

Des.D 17. Burghiu

Des.F 18. Inel de cauciuc pentru strângerea prafului

Des.H 19. Șurub de protecție mandrină cu coroană dințată*

20. Mandrină cu inel dințat*

21. Bolț de fixare SDS-plus pentru mandrină*

Des.J 22. Cheie pentru mandrina cu coroană dințată*

23. Bușă mâner *

*Echipamentul descris sau prezentat nu face parte în totalitate din dotarea standard a unelei electrice.

DATE TEHNICE:

Model	TMM20	
Tensiune de alimentare	20 V d.c.	
Viteză de rotire fără sarcină (Viteza I/II)	$n_0=0-1850/\text{min}$	
Energie percuție	2 J	
Mandrina de bormașină	SDS-plus	
Diametru maxim de găurire	lemn	30 mm
	oțel	13 mm
	beton	18 mm

Masă (cu acumulatorul)	2,75 kg	
Nivel de presiune acustică (LpA)	93,6 dB(A)	
Nivel de putere acustică (LwA)	104 dB(A)	
Incertitudine K_{LDV}, K_{LWA}	3 dB(A)	
Nivelul de vibrații conform EN 62841	măner principal $a_{h, HD}$	$5,677 \text{ m/s}^2$
	măner suplimentar $a_{h, HD}$	$6,334 \text{ m/s}^2$
Incertitudine K	$1,5 \text{ m/s}^2$	
Tip de acumulator	Li-ion	
Tensiune de încărcare acumulator	20 V	
Capacitate acumulator	4Ah	
Tensiune de alimentare încărcător	220-240V AC, 50-60Hz	
Tensiunea de ieșire a încărcătorului	20V DC, 2A	
Țimp de încărcare	120 min	

Nivelul menționat de vibrații este reprezentativ pentru utilizarea aparatului electric. Dacă aparatul electric va fi utilizat pentru alte scopuri sau cu alte instrumente de lucru precum și dacă nu va fi întreținut corespunzător, nivelul de vibrații ar putea diferi de cel indicat. Motivele indicate mai sus pot duce la sporirea nivelului de expunere la vibrații pe toată durata timpului de funcționare.

Trebuie să introduceți mijloace adiționale de siguranță, care au scopul de a proteja operatorul de efectele de expunere la vibrații, de ex.: întreținere aparat electric și instrumente de lucru, asigurarea temperaturii corespunzătoare a mâinilor, stabilirea ordinii operațiilor de muncă.

Valoarea totală declarată a vibrațiilor și valorile declarate ale emisiei de zgomot au fost măsurate în conformitate cu metoda standard de testare și pot fi utilizate pentru a compara un dispozitiv cu altul.

Valoarea totală declarată a vibrațiilor și valorile declarate ale emisiei de zgomot pot fi utilizate în evaluarea inițială a expunerii.

Avvertimente:

Vibrațiile și emisiile de zgomot în timpul utilizării efective a sculei electrice pot să difere de valorile declarate în funcție de modul în care sunt utilizate uneltele, în special de tipul piesei prelucrate.

Trebuie determinate măsuri de siguranță pentru protejarea operatorului, care se bazează pe estimarea expunerii în starea reală de utilizare (luând în considerare toate părțile ciclului de operare, cum ar fi timpul în care instrumentul este oprit și când funcționează în ralanti, cu excepția timpului de declanșare).

PREGĂTIRE PENTRU UTILIZARE:

Înainte de fiecare utilizare trebuie să verificați dacă piesele mobile ale aparatului funcționează în mod corespunzător și nu sunt blocate sau deteriorate ceea ce ar putea avea impact asupra modului de funcționare a uneltei. Unealta deteriorată trebuie reparată înainte de a o utiliza din nou.

■ Încărcare acumulator

Bormașina cu percuție este livrată cu acumulatorul parțial încărcat. Pentru a verifica nivelul de încărcare apăsați butonul indicatorului nivelului de încărcare a bateriilor (14) (vezi des. B). În cazul în care doar o singură diodă LED este aprinsă înseamnă că nivelul de încărcare al bateriei este scăzut, în cazul în care se aprind două diode înseamnă că nivelul de încărcare este mediu, iar trei diode aprinse înseamnă că acumulatorul este încărcat integral. Înainte de utilizare trebuie să încălcați complet acumulatorul.

1. Apăsați butonul de blocare al acumulatorului (16) și scoateți acumulatorul (9) din bormașina cu percuție (vezi des. C).
2. Conectați acumulatorul (9) la încărcător (13) (vezi des. C).

3. Cuplați ștecherul încărcătorului la priză de rețea 220-240V, 50-60Hz.

■ Semnalizare încărcare baterie

Dioda verde LED aprinsă pe încărcător informează că încărcătorul este conectat la sursa de alimentare. După conectarea acumulatorului se aprinde dioda roșie, care informează că încărcarea este în curs.

Atunci când bateria este încărcată integral, dioda roșie se va stinge și se aprinde dioda verde.

După ce procesul de încărcare s-a terminat, decuplați încărcătorul de la rețea și scoateți acumulatorul.

ATENȚIE! Pe durata încălzirii acumulatorului se poate încălzi puțin, acesta este un fenomen normal.

Acumulatorul litiu-ion poate fi încărcat în orice moment, fără a afecta în niciun fel durata de viață a acestuia. Întreruperea procesului de încărcare nu duce la deteriorarea celulelor acumulatorului.

Capacitatea acumulatorilor scade în timp. După 100 de cicluri de încărcare, durata de funcționare a acumulatorului și cuplul maxim al mașinii de găurit și înșurubat vor scădea ușor. Această scădere a capacității va continua până când bateria va atinge capacitatea minimă după 250 de cicluri de încărcare. Acest lucru este normal și nu indică o defecțiune a acumulatorilor.

■ Măner auxiliar

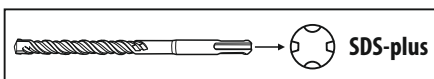
Trebuie să folosiți mereu mânerul auxiliar (10). Prinderea sigură a uneltei cu ambele mâini reduce riscul de accidentare la locul de muncă. Pentru a monta mânerul auxiliar prindeți clema mânerului pe mandrină și blocați prin strângere în direcția acelor de ceas (vezi des. C).

Pentru a avea o poziție de lucru stabilă și neobosită, puteți roti mânerul auxiliar. După ce ați strâns mânerul în direcția opusă direcției acelor de ceas, trebuie să rotiți mânerul auxiliar la poziția dorită și să strângeți din nou mânerul pentru a-l fixa.

ÎN TIMPUL LUCRULUI:

■ Selectare burghiu

Pentru găurirea cu percuție în beton, cărămidă, piatră și pentru prelucrarea cu dalta aveți nevoie de uneltele SDS-plus, pe care trebuie să le introduceți în mandrină SDS-plus (1).



Pentru a face găuri în oțel sau lemn trebuie să folosiți uneltele fără SDS-plus (de ex. burghie cu formă cilindrică). Pentru aceste uneltele aveți nevoie de mandrină cu prindere rapidă sau cu coroană dințată.

INDICAȚIE: Nu folosiți uneltele fără SDS-plus pentru găurire cu percuție sau pentru prelucrarea cu dalță! Uneltele fără SDS-plus și mandrina acestora se vor deteriora la găurirea cu percuție sau la prelucrarea cu dalță.

■ Schimbare uneltele

Cu ajutorul mânerului uneltei SDS-plus puteți schimba ușor și comod să schimbați uneltele de lucru fără a folosi alte uneltele.

Datorită proprietăților sistemice uneltele de lucru SDS-plus are libertate de mișcare. De aceea la mișcare în gol are loc aceasta se mișcă. Acest lucru nu are niciun impact asupra exactității orificiului de găurit, deoarece burghiul se centrează automat în timpul efectuării găurii.

Protecția antipraf (2) protejează într-o măsură mică intrarea prafului în mandrină în timpul lucrului. Trebuie să aveți grijă în timpul montajului să nu deteriorați protecția antipraf (2).

Protecția antipraf deteriorată trebuie înlocuită imediat. Vă recomandăm să comandați efectuarea acestei operații în punctul de service.

■ Introducerea uneltei de lucru SDS-plus (des. D)

- Capătul uneltei montate trebuie curățat și ușor. Se recomandă utilizarea unei unsoari de litiu.
- Deplasați bucuș de blocare (3) spre spate și țineți.
- Echipamentul trebuie introdus în mânerul pentru unelte și înfiletați până ce intră până la capăt.
- Dați drumul la bucuș de blocare.
- Blocarea trebuie controlată prin tragere de unealtă.

■ Demontarea accesoriului cu sistem de prindere SDS-plus (des. E)



ATENȚIE: *Imediat după ce ați terminat de lucrat uneltele de lucru pot fi fierbinți. Trebuie să evitați contactul direct cu acestea și să folosiți mănuși de protecție corespunzătoare.*

- Împingeți spre spate manșonul de blocare (3) și extrageți accesoriul.
- Uneltele de lucru trebuie curățate după ce le scoateți.

■ Montarea mandrinei cu coroană dințată (des. H)

- Înfiletați bolțul de prindere SDS-plus (21) în mandrina cu coroană dințată (20).
- Asigurați mandrina cu coroană dințată (20) cu șurubul de asigurare (19).

ATENȚIE: *Trebuie să aveți în vedere că șurubul de asigurare are filet cu direcție în stânga.*

- Curățați capătul bolțului de montare și ungeți-l puțin.
- Deplasați bucuș de blocare (3) spre spate și țineți.
- Rotiți mandrina și introduceți bolțul de montare în mânerul uneltei SDS-plus (1).
- Dați drumul la bucuș de blocare.
- Verificați dacă mandrina este blocată, pentru a face acest lucru trageți de mandrina cu coroană dințată.

■ Demontarea mandrinei cu coroană dințată (des. I)

- Trageți manșonul de blocare (3) în spate și scoateți mandrina cu coroană dințată (20).
- După ce ați demontat trebuie să aveți grijă ca mandrina cu coroană dințată (20) să nu se murdărească. În cazul în care este necesar trebuie să ungeți puțin dinții garniturii de colectare.

■ Introducerea de unelte de lucru fără SDS-plus (des. J)

- Așezați mandrina cu coroană dințată (20).
- Deschideți mandrina cu coroană dințată prin învârtirea manșonului atât încât să fie posibilă introducerea uneltei de lucru. Introduceți unealta de lucru.
- Introduceți cheia (22) în orificiile corespunzătoare din mandrina cu coroană dințată și imobilizați uniform unealta de lucru.

■ Scoaterea uneltei de lucru fără SDS-plus



ATENȚIE: *Imediat după ce ați terminat de lucrat uneltele de lucru pot fi fierbinți. Trebuie să evitați contactul direct cu acestea și să folosiți mănuși de protecție corespunzătoare.*

- Folosiți cheia pentru mandrină (22) învârtiți manșonul mandrinei cu coroană dințată (23) în direcția acelor de ceas până ce veți putea scoate unealta de lucru.
- Uneltele de lucru trebuie curățate după ce le scoateți.

■ Schimbarea modului de lucru

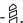


ATENȚIE: *Schimbarea modului de lucru poate fi efectuată doar atunci când unealta electrică este oprită! În caz contrar puteți strica unealta electrică.*

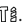
Folosiți comutatorul modului de lucru (6) pentru a selecta modul de lucru la uneltele electrice.

Pentru a schimba modul de lucru trebuie să apăsați butonul de eliberare a blocadei (5) și să mutați comutatorul modului de lucru la poziția dorită până ce auziți că blocada sare.

Găurire:

Setați comutatorul (6) la simbolul - .

Găurire cu percuție:

Setați comutatorul (6) la simbolul - .

Dălțuire (blocadă rotație):

Setați comutatorul (6) la simbolul - .

La poziția «Dălțuire» în momentul în care porniți aparatul, numărul de loviri crește automat; datorită acestui lucru unealta funcționează cu putere sporită.

Schimbare poziție daltă:

Introduceți daltă în mandrina pentru unelte.

Comutatorul modului de lucru (6) trebuie rotit la poziția - .

Rotiți mandrina pentru unelte și așezați daltă în poziția dorită de lucru.

Comutatorul modului de lucru (6) trebuie așezat la poziția «Dălțuire». Astfel veți bloca mânerul uneltei la poziția dorită.

În timpul dălțuirii comutatorul modului de lucru (6) trebuie să rămână mereu la poziția «Dălțuire».

■ Reglarea adâncimii de găurire (des. E)

Cu limitatorul de adâncime (12) puteți regla adâncimea dorită de găurire a burghiului în materialul. Pentru a face acest lucru trebuie să:

- Introduceți bolțul uneltei de lucru SDS-plus (17) în mandrină (1) și să apăsați până ce simțiți rezistență. În caz contrar datorită mobilității uneltei SDS-plus puteți stabili adâncimea necorespunzătoare de găurire;
- Să apăsați butonul de fixare a limitatorului de găurire (4) și să scoateți limitatorul (12) într-atât încât distanța dintre capătul burghiului și capătul limitatorului să fie egală cu adâncimea de găurire dorită X;
- Să blocați limitatorul prin eliberarea butonului de fixare.

ÎNTIMPUL UTILIZĂRII:

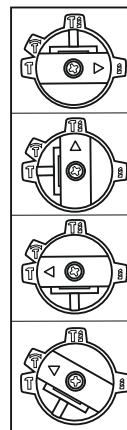
■ Pornire/oprire

Butonul de pornire instalat (8) posedă regularea fluidă a vitezei de turație. Pentru a porni unealta electrică trebuie să apăsați pe butonul de pornire. Viteza de turație va crește pe măsură ce apăsați mai tare pe buton. Pentru a opri unealta electrică trebuie să dați drumul la butonul de pornire.

■ Selectare direcție turație (vezi des. G)

Bormașina cu percuție are posibilitatea de funcționare cu direcția turației conformă direcției acelor de ceas (rotație dreapta) sau contrară direcției acelor de ceas (rotație stânga):

- pentru a seta direcția de rotație în dreapta, trebuie să mișcați glisorul comutatorului de rotație stânga/dreapta (7) în stânga (văzut din spatele aparatului),
- pentru a seta direcția de rotație în stânga, trebuie să mișcați glisorul



comutatorului de rotație stânga/dreapta (7) în dreapta (văzut din spatele aparatului).

Atunci când comutatorul direcției de rotație se află în mijloc butonul de pornire (8) este blocat.

Pentru găurire, setați rotația în sensul acelor de ceasornic. Pentru a retrage burghiu blocat, utilizați rotația în sens invers acelor de ceasornic.

■ Setarea vitezei de rotație/numărului de lovituri

Dacă apăsați mai puternic sau mai slab pe butonul de pornire/oprire (8) puteți seta direct viteza de rotație/numărul de percuții.

Dacă apăsați slab pe butonul de pornire/oprire (8) veți avea o viteză mică de rotație/număr de percuții mic.

Dacă apăsați mai tare pe buton viteza de rotație/numărul de percuții va fi mai mare.

■ Iluminat auxiliar

- Bormașina cu percuție este dotată cu iluminat auxiliar (11) a locului de găurire/infiletare care se pornește după apăsarea butonului de pornire (8).

■ Cuplajul de siguranță cu fricțiune

În cazul în care unealta folosită s-a blocat atunci turația de pe axul bormașinii cu percuție este interuptă. Unealta electrică trebuie menținută curată și datorită forțelor ce apar trebuie să o țineți puternic cu ambele mâini și să aveți o poziție sigură de lucru.

În cazul în care unealta electrică s-a blocat trebuie să o opriți și să scoateți unealta de lucru. Atunci când porniți bormașina cu percuție blocată apare un cuplaj de recul puternic.

INDICAȚII REFERITOARE LA UTILIZARE:

- Pentru a forța găurii în plăcile ceramice, mutați comutatorul tipului de lucru (6) în poziția «foraj». După executarea găurilor, mutați comutatorul în poziția «foraj cu rotepercuție» și continuați cu rotepercuție.
- La executarea în beton, piatră și zid, trebuie folosite burghie din aliaj solid.
- Atunci când forajați în tavan pentru a vă proteja împotriva prafului trebuie să folosiți un inel de cauciuc pentru colectarea de praf (18), care trebuie aplicat pe burghiu (vezi des. F).
- La forajul în metal, utilizați doar burghie ascuțite pentru metal.

INDICAȚII REFERITOARE LA UTILIZARE:

- Pentru a forța găurii în plăcile ceramice, mutați comutatorul tipului de lucru (6) în poziția «foraj». După executarea găurilor, mutați comutatorul în poziția «foraj cu rotepercuție» și continuați cu rotepercuție.
- La executarea în beton, piatră și zid, trebuie folosite burghie din aliaj solid.
- Atunci când forajați în tavan pentru a vă proteja împotriva prafului trebuie să folosiți un inel de cauciuc pentru colectarea de praf (18), care trebuie aplicat pe burghiu (vezi des. F).
- La forajul în metal, utilizați doar burghie ascuțite pentru metal.

DEPOZITAREA ȘI ÎNTREȚINEREA:

Unealta trebuie depozitată într-un loc uscat, nu la îndemâna copiilor, trebuie menținută curată, protejată de umezeală și praf. Condițiile de depozitare trebuie să elimine posibilitatea de deteriorare mecanică sau efectele nocive ale diferitelor condiții atmosferice.

ATENȚIE: Mereu înainte să începeți acțiunile legate de curățare și conservare, scoateți acumulatorul din utilajul și ștecherul din priză de alimentare.

Încărcătorul trebuie curățat cu ajutorul unei cârpe uscate.

Piese externe din plastic pot fi curățate doar cu o pănză umedă și cu un detergent delicat.

ATENȚIE: Nu folosiți NICIODATĂ substanțe diluante.

După ce ați forat în beton, într-un mediu cu mult praf se recomandă suflarea cu aer comprimat (cu presiunea de maxim 0,3 MPa) pe orificiile de aerisire și mânerul unelei. Acest lucru previne deteriorarea rulmenților, îndepărtează praful care blochează accesul de aer care răcește motorul.

TRANSPORT:

Bormașina cu percuție poate fi transportată și depozitată în valiza de transport, care o protejează de umiditate, intrarea prafului și a obiectelor de dimensiuni mici și de aceea trebuie să acoperiți orificiile de ventilație. Elementele mici care infiltră carcasa pot duce la distrugerea motorului. În cazul în care scoateți acumulatorul din aparat pe durata transportului sau depozitării trebuie să vă asigurați că suprafețele de contact ale acumulatorului nu se vor scurtcircuita. Scoateți piesele metalice precum șuruburi, cuie, cleme, bituri de șurubelniță, pilitură metalică, sârmă din valiză, cutia de unelte sau recipientul pentru transport sau protejați acumulatorul în alt mod astfel încât să preveniți contactul acestor elemente cu acumulatorul.

PROTECȚIA MEDIULUI:



ATENȚIE: Simbolul prezentat înseamnă interdicția punerii echipamentelor uzate împreună cu celelalte deșeuri menajere (sub risc de amendă). Componente periculoase care fac parte de utilaje electrice și electronice dăunează mediul natural și sănătatea omului.

Fiecare menaj ar trebui să participe la recuperarea și reciclarea utilajelor uzate. În Polonia și în Europa se formează sau există deja niște sisteme de colectare a utilajelor uzate, în cadrul cărora toate punctele de vânzare ale utilajelor citate sunt obligate să primească utilajele uzate înapoi. În plus, există și punctele specializate în colectarea asemenea utilajelor.

PRODUCĂTOR:

PROFIX Sp z o.o.

str. Marywilka 34, 03-228 Varșovia, POLONIA

Prezentul utilaj este făcut conform normelor naționale și europene, precum și indicțiilor de siguranță.

ATENȚIE! În caz de probleme tehnice vă rugăm să luați legătura cu un service autorizat. Toate reparațiile trebuie efectuate de un personal calificat, folosindu-se piesele de schimb originale.

PICTOGRAME:

Explicațiile imaginilor de pe tabelul nominal și de pe etichetele informative:



«Înainte de cuplare și de a începe operarea trebuie să citiți prezenta instrucțiune»



«Folosiți întotdeauna ochelari de protecție»



– «Folosiți mijloace de protecție auditivă»



– «Folosiți întotdeauna măști de praf»

DEFECȚIUNI TIPICE ȘI ÎNDEPĂRTAREA ACESTORA:

PROBLEMĂ	CAUZĂ POSIBILĂ	SOLUȚIE
Bormașina cu percuție nu funcționează.	Lipsă alimentare, deteriorare motor sau comutator.	Verificați nivelul de încărcare al bateriei, în cazul în care este necesar încărcați sau schimbați cu una nouă. Dacă unealta electrică nu funcționează în continuare, trebuie să o trimiteți la service pentru reparații la adresa indicată pe fișa de garanție.
Perturbații în funcționarea motorului.	Baterie descărcată.	Încărcați bateria.
	Acumulatorul a atins limita termică maximă.	Așteptați până la răcirea acumulatorului.




Politica firmei PROFIX este aceea de perfecționare continuă a produselor sale și de aceea firma își rezervă dreptul de modificare a specificației produsului fără înștiințarea anterioară. Imaginile indicate în instrucțiunile de utilizare sunt doar exemple și se pot diferi puțin de aspectul real al dispozitivului achiziționat.

Prezenta instrucțiune este protejată prin dreptul de autor. Copierea/înmulțirea fără acordul în scris al firmei PROFIX Sp. z.o.o. este interzisă.



PIRMS DARBA SĀKUMA NEPIECIEŠAMS IEPAZĪTIES AR ŠO INSTRUKCIJU.

Saglabā instrukciju vārbutējai turpmākai lietošanai.

BRĪDINĀJUMS! Nepieciešams izlasīt visus brīdinājumus apzīmētus ar simboliem , kuri attiecas uz lietošanas drošību un visus lietošanas drošības norādījumus.



Neievērojot zemāk uzrādītos drošības brīdinājumus un norādījumus attiecībā uz drošību var būt par elektriskās strāvas trieciena, ugunsgrēka un/vai nopietnu traumu iemeslu.

Ievērot visus brīdinājumus un norādījumus attiecībā uz drošību, lai tos turpmāk varētu izmantot.

Zemāk uzrādītos brīdinājumus „elektroinstruments” nozīmē elektroinstrumentu, kurš tiek barots no elektriskā tīkla (ar barošanas vadu) vai elektroinstruments barots no akumulatora (bezvadu).



BRĪDINĀJUMS! Vispārējie instrumenta drošas lietošanu norādījumi.

Darba vietas drošība:

- Darba vietā nepieciešams uzturēt kārtību un labu apgaismojumu. Nekārtība un sliktas apgaismojums ir negadījumu iemesls.
- Nedrīkst lietot elektroinstrumentu sprāgstošā, viegli uzliesmojošā, gāzu putekļainā vidē. Elektroinstrumenta darbības laikā rodas dzirksteles, no kurām var aizdegties putekļi un tvaiki.
- Vietā, kur tiek lietoti elektroinstrumenti nevar atrasties bērni un novērotāji. Novērsot uzmanību var zaudēt kontroli par elektroinstrumentu.



BRĪDINĀJUMS! Vispārējie instrumenta drošas lietošanu norādījumi.

Elektriskā drošība:

- Elektroinstrumenta kontaktdakšīnām jābūt pielāgotām pie kontaktlīdždām. Nekad nekādā gadījumā nedrīkst mainīt kontaktdakšīņu. Nedrīkst lietot nekādas pagarinātājus gadījumā, ja elektroinstruments ir apgādāts ar vadu ar aizsardzības iezemējuma dzislu. Ja netiek darītas kontaktdakšīņu un kontaktlīdžu izmaiņas, tas samazina elektriskā trieciena risku.
- Nepieciešams izvairīties no iezemētām virsmām vai savienotām ar masu, kā piemēram caurules, sildītāji, centrālāpkaures radiatoru un dziesinātāji. Gadījumā, ja netiek kontakts ar iezemētām vai ar masu savienotām daļām pieaug elektriskās strāvas trieciena risks.
- Nedrīkst pakļaut elektroinstrumentus uz lietus vai mitruma iedarbību. Gadījumā, ja elektroinstrumentā iekļūst ūdens pieaug elektriskās strāvas trieciena risks.
- Nedrīkst pārslogot savienojuma vadus. Nekad nedrīkst lietot savienojuma vadu elektroinstrumenta pārnēsāšanai, vilkšanai vai izvilkt kontaktdakšīņu no kontaktlīdždas aiz vada. Nepieciešams turēt savienojuma vadu tālu no siltuma avotiem, eļļainām, asām šķautnēm vai kustīgām daļām. Būjāti vai sapīti savienojuma vadi palielina elektriskās strāvas trieciena risku.
- Gadījumā, ja elektroinstruments tiek lietots ārpusē, savienojuma vadus nepieciešams pagarināt ar pagarinātājiem, kuri ir piemēroti darbam ārpusē. Lietojot pagarinātājus piemērotus darbam ārpusē samazinās elektriskās strāvas trieciena risks.
- Ieteicams ierīci pievienot pie elektriskā tīkla, kurš ir aprīkots ar

RCD slēdzi ar 30mA vai mazāku izslēgšanas strāvu.

- Gadījumā, ja ir nepieciešamība lietot elektroinstrumentu mitrā vidē, par sprieguma aizsardzību nepieciešams lietot strāvas starpības ierīci (RCD). Lietojot RCD samazinās elektriskās strāvas triecienārīks.



BRĪDINĀJUMS! Vispārējie instrumenta drošas lietošanu norādījumi.

Individuālā drošība:

- Šī ierīce nav pamērota lietot cilvēkiem (tai skaitā bērniem) ar ierobežotām fiziskām, jūtības un psihiskām spējām, vai cilvēkiem bez ierīces darbības pieredzes vai zināšanām, izņemot, ja tas notiek uzraudzībā vai saskaņā ar ierīces lietošanas instrukciju, ar kuru ir iepazinūšās par drošību atbildīgas personas.
- Elektroinstrumenta lietošanas laikā nepieciešams būt tālredzīgiem, novērot kas notiek un saglabāt skaidru saprātu. Nedrīkst lietot elektroinstrumentu noguruma laikā vai narkotisku vielu, alkohola vai zāļu iedarbībā. Neuzmanības mirklis strādājot ar elektroinstrumentu var radīt nopietnas ķermeņa traumas.
- Nepieciešams lietot individuālos aizsardzības līdzekļus. Vienmēr nepieciešams lietot aizsargbrilles. Lietojot attiecīgos apstākļos aizsardzības līdzekļus, tādas ka putekļu maskas, neslidošus apavus, ķiveres vai dzirdes aizsardzības līdzekļus, samazināsies individuālās traumas.
- Nepieciešams izvairīties no neparedzētām kustībām. Pirms pieslēgšanas pie barošanas avota un/vai pirms akumulatora pieslēgšanas kā arī pirms tam, kad paceļam vai pārceļam ierīci nepieciešams pārliecināties, ka elektroinstrumenta slēdzis atrodas izslēgšanas stāvoklī. Pārnēsāt elektroinstrumentu ar pirkstu uz slēdža vai barošanas tīklā pieslēgtu elektroinstrumentu pie ieslēgta slēdža var būt par negadījuma iemeslu.
- Pirms elektroinstrumenta palaišanas nepieciešams novākt visas atslēgas. Atslēga atstāta rotējošā elektroinstrumenta tuvumā var radīt individuālas traumas.
- Nedrīkst pārlieku tālu izliecties. Visu laiku nepieciešams stāvēt stabili un saglabāt līdzsvaru. Tas dos iespēju neparedzētās situācijās labāk kontrolēt elektroinstrumentu.
- Nepieciešams attiecīgi ģērbties. Nedrīkst nēsāt vaļīgus apģērbus vai rotas lietas. Nepieciešams turēt savus matus, apģērbu un cimdus tālu no kustīgām daļām. Vaļīgs apģērbs, rotas lietas vai gari mati var tikt aizķerti ar kustīgām daļām.
- Ja ierīce ir pielāgota ārējai putekļu sūkšanai un putekļu uzsūkšanai, nepieciešams pārliecināties, ka tie ir pieslēgti un pareizi lietoti. Lietojot putekļu sūcēju var samazināt putekļu ieelpošanas bīstamību.
- Nedrīkst pieļaut, lai iemaņas iegūtas bieži lietojot elektroinstrumentu samazinātu mūsu modrību un drošības noteikumu ignorēšanu. Bezrūpīga rīcība var izraisīt nopietnus ievainojumus sekundes laikā.



BRĪDINĀJUMS! Vispārējie instrumenta drošas lietošanu norādījumi.

Lietošana un gādība par elektroinstrumentu:

- Nedrīkst pārslogot elektroinstrumentu. Nepieciešams piemērot elektroinstrumentu veiktajam darbam. Pareizs

elektroinstruments nodrošinās labāku un drošāku darbu pie slodzes, kādam tas tika projektēts.

- b) Nedrīkst lietot elektroinstrumentu, ja slēdzis to neieslēdz un neizslēdz. Katrs elektroinstruments, kuru nevar ieslēgt vai izslēgt ar slēdzi ir bīstams un to nepieciešams labot.
- c) Nepieciešams atvienot elektroinstrumenta kontaktakšņu no barošanas avota un/vai atslēgt akumulatoru pirms tiek veikta jebkāda uzstādīšana, detaļu maiņa vai instrumenta glabāšana. Tādas drošības darbības reducē neparedzētu elektroinstrumenta palaišanu.
- d) Nelietot elektroinstrumentu nepieciešams glabāt bērniem nepieejamās vietās un nedrīkst atļaut personām, kuras nav iepazinušas ar elektroinstrumentu vai šo lietošanas instrukciju lietot elektroinstrumentu. Elektroinstrumenti ir bīstami neapmācītu lietotāju rokās.
- e) Elektroinstrumentu nepieciešams konservēt. Nepieciešams pārbaudīt asu sakritību vai kustīgo daļu iekļīšanās, detaļu plīsumus un visus apstākļus, kuri varētu ietekmēt elektroinstrumenta darbu. Ja tiek konstatēts bojājums, elektroinstrumentu pirms lietošanas nepieciešams salabot. Daudzu negadījumu iemesls ir nepareiza elektroinstrumenta konservācija.
- f) Griežējinstrumentiem jābūt asiem un tīriem. Attiecīgi uzturēti asi griežējinstrumenta asmeņi samazina iekļīšanās iespējas un atvieglo apkalpošanu.
- g) Elektroinstrumentu, aprīkojumu, darba instrumentus un tml. nepieciešams lietot saskaņā ar šo instrukciju, ņemot vērā darba apstākļus un veicamo darbu. Lietot elektroinstrumentu tam neparedzētā veidā var novest pie bīstamām situācijām.
- h) Zemās temperatūrās vai pēc ilgāka nelietošanas laika, ieteicams uz pāris minūtem ieslēgt elektroinstrumentu bez slodzes, lai piedziņas mehānismā sāktu pareizi darboties smērēļa.
- i) Elektroinstrumentu tīrīšanai lietot mīkstu, mitru (ne slapju) drānu un ziepes. Nelietot benzīnu, šķīdinātājus un citus līdzekļus, kuri varētu sabojāt ierīci.
- j) Elektroinstrumentu nepieciešams glabāt / transportēt iepriekš pārliecinoties, ka visas kustīgās daļas ir nobloķētas un nodrošinātas pret atbloķēšanos ar oriģināliem šim nolūkam paredzētiem elementiem.
- k) Elektroinstrumentu nepieciešams glabāt sausā, no putekļiem un mitruma sargātā vietā.
- l) Elektroinstrumenta transportēšanu jāveic oriģinālā iepakojumā, kurš pasargā no mehāniskiem bojājumiem.
- m) Rokturus un satveršanas virsmas nepieciešams uzturēt tīras, bez eļļas un smēres. Neparedzētās situācijās slideni rokturi un satveršanas virsmas nedod iespēju droši turēt un kontrolēt instrumentu.



BRĪDINĀJUMS! Vispārējie instrumenta drošas lietošanu norādījumi.

Remonts:

- a) Savu elektroinstrumentu garantijas un pēcgarantijas remontus veic PROFIX serviss, kas garantē visaugstāko remontu kvalitāti kā arī tiek izmantotas oriģinālas rezerves daļas.



BRĪDINĀJUMS! Akumulatoru triecienu urbjmašīna, drošības brīdinājumi –
Individuālā drošība:

- a) Nepieciešams lietot dzirdes aizsardzības līdzekļus. Ilglaicīga trokšņa iedarbība var radīt dzirdes zaudēšanu.
- b) Veicot darbus, kur darba instruments varētu trāpīt uz noslēptiem elektriskiem vadiem, elektroinstrumentu nepieciešams turēt pie roktura izolētām virsmām. Kontakts ar barošanas tīkla vadu, kurš ir zem sprieguma var radīt sprieguma pārņemšanu uz elektroinstrumenta metāla daļām kā rezultātā var notikt elektriskās strāvas trieciens.
- c) Nepieciešams lietot attiecīgas meklēšanas ierīces, lai lokalizētu slēptus barošanas vadus vai lūgt pilsētas dienestu palīdzību. Kontakts ar vadiem, kuri ir zem sprieguma var novest līdz ugunsgrēkam vai elektriskā strāvas triecienam. Gāzes vada bojājums var novest līdz sprādzienam. Ūdensvada pārraušana rada materiālus zaudējumus vai notikt elektriskās strāvas trieciens.
- d) Neapstrādājiet materiālus, kas satur azbestu. Azbestam piemīt kancerogēns asipāšības.
- e) Darba vietu nepieciešams uzturēt tīru. Materiālu maisījumi ir sevišķi bīstami. Metāla putekļi var viegli aizdegties un uzsprāgt.
- f) Apstrādājamo priekšmetu nepieciešams nostiprināt. Pārlicināties, ka visi stiprināšanas elementi ir nostiprināti un pārbaudīti, lai nebūtu pārmērīgas pielāides. Apstrādājamo priekšmetu ir drošāk nostiprināt stiprināšanas ierīce vai skrūvspīles nekā turēt to rokā.
- g) Lietojiet kopā ar elektroinstrumentu piegādāto papildrokturi. Zaudējot kontroli var operatoram rodas traumu bīstamība.
- h) Elektroinstrumentu darba laikā nepieciešams stipri turēt abās rokās aiz galvenā roktura un paligroktura, ievērot stabilu pozīciju. Elektroinstrumentu drošāk vadīt abās rokās.
- i) Elektroinstrumentu nepieciešams nekavējoties izslēgt, kad bloķējas lietotais griežējinstrumenti. Nepieciešams būt gatavam lielai vibrācijai, kura var radīt atmešanu. Lietotais instruments bloķējas, ja elektroinstruments ir pārslodgots vai saliecas apstrādājamā priekšmetā.
- j) Pirms elektroinstrumenta nolikšanas pagaidīt līdz tas apstājas. Darba instruments var iebloķēties, kas rada ka tiek zaudēta kontrole par elektroinstrumentu.
- k) Elektroinstrumentu nepieciešams lietot tikai ar akumulatoru bateriju speciāli piemērotu tā barošanai. Citu akumulatoru bateriju lietošana var radīt traumu vai ugunsgrēka risku.

Drošības instrukcijas izmantojot garus urbjus:

- a) Nekad nestrādājiet ar lielāku ātrumu nekā maksimālo urbjā griešanās ātrumu. Vienmēr sākt urbt ar mazu ātrumu un pēc tam, kad urbis ir saskarties ar sagatavi. Lielākā ātrumā urbis var saliekties, ja tas brīvi griežas nesaskaroties ar apstrādājamo priekšmetu, radot ķermeņa traumas.
- b) Uršanas laikā piespiediet urbi pie apstrādājamā priekšmeta vienā līnijā ar urbi, nespiediet urbi pārāk stipri. Urbji var saliekties, izraisot bojājumus vai zaudējot kontroli, kas var izraisīt ķermeņa traumas.



BRĪDINĀJUMS! Droša akumulatoru un akumulatoru lādētāju lietošana:

Akumulatoru lietošana:

- a) Nepieciešams lietot akumulatorus tikai saskaņā ar ražotāja specifiskāciju. Citu akumulatoru lietošanas gadījumā var rasties akumulatora plīsums un sabrukums, ķermeņa trauma vai ugunsgrēks.
- b) UZMANĪBU: Akumulatora bojājuma vai nepareizas lietošanas rezultātā var notikt sprāgstošu gāzu izdalīšanās. Akumulatoru nepieciešams vienmēr turēt tālu no uguns kā arī lādēšanas

laikā nodrošināt atbilstošu ventilāciju. Nedrīkst to atstāt uzilgu laiku vidē, kur ir augsta temperatūra (saulainās vietās, sildes elementu tuvumā vai tur, kur temperatūra pārsniedz 40 grādus).

- c) Akumulatora lādēšanu nepieciešams veikt 15-25°C temperatūras diapazonā.
- d) Lādēt akumulatoru nepieciešams tikai ar ražotāja ieteikto transformatoru. Lietojot transformatoru piemēroti cita tipa akumulatoru baterijai rada ugunsgrēka rašanās risku.
- e) Sargāt akumulatoru no ūdens un mitruma.
- f) Ja gribam lādēt sekojoši vairākus akumulatorus, starp atsevišķiem lādējumiem nepieciešams izdarīt 30 minūšu pārtraukumu.
- g) Nekādā gadījumā nedrīkst akumulatoru atvērt.
- h) Nelabvēlīgos apstākļos no akumulatora var izdalīties šķidrums; nepieciešams izvairīties no kontakta ar šķidrumu. Ja lietotājs negaidīti saskarsies ar šķidrumu, kontakta vietu nepieciešams skalot ar ūdeni. Ja šķidrums nokļūst acīs, papildus nepieciešams meklēt medicīnisko palīdzību. No akumulatora izplūstošais šķidrums var radīt kairinājumu vai apļaucēšanos.
- i) Laikā, kad akumulatoru baterija netiek lietota, nepieciešams to glabāt tālu no metāla priekšmetiem, tādēļ kā papīra spraudņiem, monētām, atslēgām, naglām, skrūvēm vai citiem maziem metāla elementiem, kuri varētu radīt akumulatora issavienojumu. Akumulatoru issavienojums var radīt apļaucēšanos vai ugunsgrēku.
- j) Nemest akumulatoru uguni.
- k) Nedrīkst lādēt bojātu akumulatoru.



Akumulatori paredzēti daudzkārtējai lādēšanai, satur apkārtējai videi kaitīgo litiju.

Pēc lietošanas termiņa beigām tos nepieciešams izlietēt saskaņā ar apkārtējās vides aizsardzības noteikumiem.

Šajā nolūkā pilnīgi izlietot akumulatoru, izņemt no elektroinstrumenta, nodot akumulatoru utilizācijas punktā vai veikalā, kurā tas nopirkts.

Lādētāja lietošana:

- a) Lādēt akumulatoru nepieciešams tikai ar ražotāja ieteikto transformatoru. Lietojot transformatoru piemēroti cita tipa akumulatoru baterijai rada ugunsgrēka rašanās risku.
- b) Pievienoto lādētāju drīkst lietot tikai akumulatoru lādēšanai, kuri ir ar to piegādāti. Lādējot citus akumulatorus var notikt akumulatoru plīsums vai sašķelšanās un ķermeņa ievainojums vai trauma vai arī ugunsgrēks.
- c) Lādētāja nedrīkst izjaukt.
- d) Lādētājs paredzēts darbam tikai telpu iekšpusē. To nedrīkst pakļaut ūdens un mitruma iedarbībai.
- e) Lādēt tikai 15-25 grādu diapazonā.
- f) Lādētājā nedrīkst likt nekādus metāla priekšmetus.

TRIECIENA URBJMAŠĪNAS PIELIETOJUMS UN UZBŪVE:

Trieciena urbjmašīna paredzēta betona, ķieģeļa un akmens caurumu uršanai ar triecienu, kā arī viegliem atskaldīšanas darbiem ar kaltu. To var lietot arī koka, metāla, keramikas un plastmasas caurumu uršanai bez triecienu.

Kategoriski izslēgts lietot ierīci visos citos nolūkos.

Triecienu urbjmašīna paredzēta vienīgi amatieru darbos. **Nedrīkst**

lietot ierīci veicot darbus, kur nepieciešams lietot profesionālas ierīces.

Aizliegts lietot ierīci neatbilstoši augstāk uzrādītam pielietojumam, pretējā gadījumā tiek zaudēta garantija kā arī ražotājs neatbild par šādā veidā radītiem zaudējumiem.

Jebkādas ierīces modifikācijas, kuras veic lietotājs atbrīvo ražotāju no atbildības par bojājumiem un zaudējumiem, kuri nodarīti lietotājam un apkārtējiem.

Neskatoties uz pielietojumam paredzēto lietošanu nevar pilnībā izslēgt atsevišķus riska elementus. Ņemot vērā mašīnas konstrukciju un uzbūvi var rasties sekojošas bīstamības:

- Operatora rokas vai apģērba vada pieskaršanās pie rotējoša urbja darba laikā.
- Apļaucēšanās mainot urbi. (Darba laikā urbis ļoti stipri sakarst, lai novērstu apļaucēšanos to mainot nepieciešams lietot aizsargcimdus).
- Apstrādājamā priekšmeta vai tā daļu atmešana.
- Urbja saliekšāns/salaušana.

■ Komplektācija

- Akumulatoru triecienu urbjmašīna - 1gab.
- Lādētājs - 1gab.
- Akumulators - 2 gab.
- Transportēšanas koferis - 1 gab.
- Lietošanas instrukcija - 1gab.
- Garantijas karte - 1 gab.

■ Sastāvdaļas (skatīt lappusi 2-4):

Zīm.A 1. Instrumenta patrona SDS-plus

2. Putekļu pārsegis
3. Fiksējošā uzmava
4. Uršanas dziļuma ierobežotāja stiprināšanas poga
5. Darba režīma bloķēšanas atbrīvošanas poga
6. Darba režīma maiņas slēdzis
7. Apgrīzīnu virziena slēdzis
8. Slēdzis
9. Akumulators
10. Papildus rokturis
11. Palīg apgaismojums
12. Uršanas dziļuma ierobežotājs

Zīm.B 13. Lādētājs

14. Baterijas uzlādēšanas līmeņa rādītāja taustiņš
15. Baterijas uzlādēšanas līmeņa rādītājs

Zīm.C 16. Akumulatora stiprināšanas fiksators

Zīm.D 17. Urbt

Zīm.F 18. Putekļu savākšanas gumijas gredzens

Zīm.H 19. Urbjmašīnas patronas ar zobrata gredzenu fiksēšanas skrūve*

20. Urbjmašīnas patrona ar zobrata gredzenu*
21. Urbjmašīnas patronas SDS-plus stiprināšanas uzgalis*

Zīm.J 22. Urbjmašīnas patronas ar zobrata gredzenu atslēga*

23. Patronas gredzens*

* Aprakstītais vai uzrādītais aprīkojums pilnībā neietilpst elektroinstrumenta standarta komplektā.

TEHNISKIE DATI:

Modelis		TMM20
Barošanas spriegums		20 V d.c.
Griešanas ātrums bez slodzes		$n_n=0-1850/\text{min}$
Trieciena enerģija		2 J
Urbjmašīnas patrona		SDS-plus
Maksimālais uršanas diametrs	Koks	30 mm
	Tērauds	13 mm
	Betons	18 mm
Svars (ar akumulatoru)		2,75 kg
Akustiskā spiediena līmenis (LpA)		93,6 dB(A)
Akustiskās jaudas līmenis (LwA)		104 dB(A)
Mērījumu izklide $K_{\text{gMR}}, K_{\text{LWA}}$		3 dB(A)
Vibrācijas līmenis atbilst. normai EN 62841	galvenais rokturis a_{RHID}	5,677 m/s^2
	paligrokturis a_{RHID}	6,334 m/s^2
Mērījumu izklide K		1,5 m/s^2
Akumulatora veids		Li-ion
Akumulatora lādēšanas spriegums		20 V
Akumulatora tilpums		4Ah
Lādētāja barošanas spriegums		220-240V AC, 50-60Hz
Lādētāja izejas spriegums		20V DC, 2A
Lādēšanas laiks		120 min

Uzrādītais vibrācijas līmenis ir reprezentatīvs elektroinstrumenta pamata lietošanai. Ja elektroinstruments tiek lietots citos nolūkos vai ar citiem darba instrumentiem, vai arī ja nebūs pietiekami konservēts, vibrācijas līmenis var atšķirties no uzrādītā. Augstāk uzrādītie iemesli var radīt vibrācijas ekspozīcijas palielināšanos visā darba laikā.

Nepieciešams realizēt papildus drošības līdzekļus, kuri pasargās operatoru no vibrācijas ekspozīcijas, piem.: Elektroinstrumenta un darba instrumenta konservācija, atbilstošas roku temperatūras nodrošināšana, darba operāciju veikšanas secības noteikšana.

Deklarētās kopējās vibrācijas vērtības un deklarētās trokšņa emisijas vērtības ir mērītas saskaņā ar standarta testa metodi, un tās var izmantot, lai savā starpā salīdzinātu instrumentus.

Sākotnējam iedarbības novērtējumam var izmantot deklarētās kopējās vibrācijas vērtības un deklarētās trokšņa emisijas vērtības.

Bīdīnājumi:

Vibrācijas un trokšņa emisija elektroinstrumenta faktiskā lietošanas laikā var atšķirties no deklarētajām vērtībām atkarībā no tā, kā tiek izmantots instruments un kāds materiāls tiek apstrādāts.

Operatora aizsardzībai nepieciešams notiekt drošības līdzekļus, kuri pamatojas uz iedarbības novērtējumu faktiskajā lietošanas laikā (ņemot vērā visas operatīvā cikla darbības daļas, kā piemēram laiku, kurā instruments ir izslēgts un kad strādā tukšgaitā, izņemot sprūda laiku).

SAGATAVOŠANA DARBAM:

Pirms katras lietošanas nepieciešams kontrolēt, vai pareizi funkcionē un nav bloķētas vai iepļūsušas un bojātas ierīces kustīgās daļas, kas varētu izspaidot pareizu ierīces funkcionēšanu. Bojātu ierīci pirms lietošanas nepieciešams nodot labošanai.

■ Akumulatoru lādēšana

Trieciena urbjmašīna tiek piegādāta ar daļēji uzlādētu akumulatoru.

Lādēšanas līmeni var pārbaudīt nospiežot baterijas lādēšanas līmeņa taustiņu (14) (skat. zīm. B). Viena degoša LED diode atbilst zēlam baterijas uzlādēšanas līmenim, divas degošas diodes nozīmē vidēju līmeni, bet trīs degošas diodes atbilst pilnam akumulatora uzlādēšanas līmenim. Pirms lietošanas akumulatoru nepieciešams pilnībā uzlādēt.

1. Nospiežot akumulatora bloķēšanas pogu (16) un no urbjmašīnas skrūvgrieža izņemt akumulatoru (9) (skat. zīm. C).
2. Pievienot akumulatoru (9) lādētājam (13) (skat. zīm. B).
3. Pievienot lādētāja kontaktdakšīņu 220-240V, 50-60Hz tīkla ligzdā.

■ Baterijas lādēšanas signalizācija

Zaļā degošā LED diode informē, ka lādētājs ir pieslēgts pie barošanas avota. Pēc akumulatora pievienošanas iedegsies **sarkanā** diode, kura informē, ka notiek lādēšana.

Kad baterija būs pilnībā uzlādēta sarkanā diode nodzisis un iedegsies zaļā diode.

Pēc lādēšanas beigām atvienot lādētāju no tīkla un izņemt akumulatoru.

UZMANĪBU! Lādēšanas laikā akumulators var nedaudz sasilt, tā ir normāla parādība.

Litija-jonu akumulatoru var lādēt jebkurā brīdī, tādā veidā netiek sašināta tā ilgumžība. Lādēšanas procesa pārtraukšana nerada akumulatora elementu bojājuma risku.

Akumulatoru ietilpība ar laiku samazinās. Pēc 100 lādēšanas cikliem akumulatora darba laiks un urbjmašīnas-skrūvgrieža griezes moments nedaudz samazinās. Šis kritums turpināsies, līdz baterija nesasnies minimālo ietilpību pēc 250 lādēšanas cikliem. Tā ir normāla parādība un tas nenozīmē, ka akumulatoru komplekts ir bojāts.

■ Papildusrokturi

Vienmēr nepieciešams lietot paligrokturi (10). Droši turot instrumentu ar abām rokām samazināsies darba negadījuma risks.

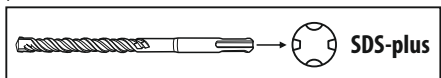
Paligrokturi stiprina pārlietot roktura apmavu ap trieciena urbjmašīnas patronu un bloķē pieskrūvējot rokturi pulksteņa rādītāja kustības virzienā (skat. zīm. C).

Lai varētu ieņemt stabili un ērtu darba pozīciju iespējams ir iespēja brīvi pielāgot paligrokturi. Pagriežot rokturi pretēji pulksteņa rādītāja kustības virzienam, nepieciešams novietot paligrokturi vēlamā stāvoklī un atkārtoti pieskrūvēt rokturi, lai to nofiksētu.

DARBA LAIKĀ:

■ Urbja izvēle

Trieciena uršanai betonā, ķieģeļi, akmeni un kalšanas darbos nepieciešami SDS-plus instrumenti, kurus ieliek SDS-plus uršanas patronā (1).



Urbjot tērauda vai kokā lieto instrumentus bez SDS-plus (piem. urbji ar cilindrisko stiprināšanu). Šiem instrumentiem nepieciešama bez atslēgas vai zobrata gredzena patrona.

NORĀDĪJUMS: Urbjot ar triecienu vai strādājot ar kalnu nedrīkst lietot instrumentu bez SDS-plus! Instrumenti bez SDS-plus un to urbjmašīnas patronas urbjot ar triecienu vai strādājot ar kalnu tiks sabojāti.

■ Instrumentu maiņa

Ar instrumentu patronu SDS-plus var vienkārši un ērti apmainīt darba instrumentu neliejojot papildus aprikojumu.

Sistēmā SDS-plus darba instrumentam ir kustības brīvība. Tāpēc brīvīgāitā notiek sišana. Tas nekādā mērā neiedarbojas uz urbto caurumu precizitāti, par cik urbis urbšanas laikā patstāvīgi centrējas.

Darba laikā putekļu pārsegs (2) ievērojamā mērā sargā no putekļu iekļūšanas instrumentu patronā. Ieliekot instrumentu nepieciešams uzmanities, lai nesabojātu putekļu pārsegu (2).

Bojātu putekļu pārsegu nepieciešams nekavējoties apmainīt. Apmaiņu ieteicams veikt servisa punktā.

■ Darba instrumenta SDS-plus stiprināšana (zīm. D)

- Stiprinātā instrumenta galu nepieciešams notīrīt un nedaudz ieeļļot.
- Pārvietot fiksēšanas gredzenu (3) maksimāli uz aizmuguri un turēt šādā stāvoklī.
- Aprikojumu nepieciešams ielikt instrumenta patronā griežot to līdz brīdim, kad tas atdursies.
- Atbrīvot fiksēšanas gredzenu.
- Aizvēršanu nepieciešams pārbaudīt pavelkot instrumentu.

■ SDS-plus darbinstrumenta izņemšana



UZMANĪBU: Uzreiz pēc darba beigām darba instruments var būt karsts. Nepieciešams izvairīties no tieša kontakta ar to un lietot atbilstošus aizsargcimdus.

- Pavirziet spīļuzmavu (3) instrumenta korpusa virzienā un izvelciet darbinstrumentu no turētājapveres.
- Darba instrumentu pēc izņemšanas nepieciešams notīrīt.
- **Urbjmašīnas patronas ar zobrata gredzenu montāža (zīm. H)**
- Ieskrūvēt SDS-plus (21) stiprināšanas uzgali urbjmašīnas patronā ar zobrata gredzenu (20).
- Nofiksēt urbjmašīnas zobrata gredzena patronu (20) ar drošības skrūvi (19).

UZMANĪBU: Nepieciešams atcerēties, ka drošības skrūvei ir kreisā vītne.

- Notīrīt uzgaļa iespraūzamo galu un to nedaudz ieeļļot.
- Pārvietot fiksēšanas gredzenu (3) maksimāli uz aizmuguri un turēt šādā stāvoklī.
- Pagriežot urbjmašīnas patronu iebīdīt stiprināšanas uzgali SDS-plus instrumenta patronā (1).
- Atbrīvot fiksēšanas gredzenu.

- Pārbaudīt fiksēšanu pavelkot urbjmašīnas patronu ar zobrata gredzenu.

■ Urbjmašīnas patronas ar zobrata gredzenu demontāža (zīm. I)

- Atbīdīt fiksēšanas gredzenu (3) uz aizmuguri un noņemt urbjmašīnas patronu ar zobrata gredzenu (20).
- Pēc demontāžas urbjmašīnas patronu ar zobrata gredzenu (20) nepieciešams sargāt no netīrumiem. Nepieciešamības gadījumā var nedaudz ieeļļot zobratu.

■ Darba instrumentu ielikšana bez SDS-plus (zīm. J)

- Uzlikt urbjmašīnas patronu ar zobrata gredzenu (20).
- Atvērt urbjmašīnas patronu ar zobrata gredzenu pagriežot gredzenu tik daudz, lai būtu iespēja ielikt darba instrumentu. Ielikt darba instrumentu.
- Ielikt atslēgu (22) attiecīgos urbšanas patronas ar zobrata gredzenu caurumos un darba instrumentu vienmērīgi nofiksēt.

■ Darba instrumentu izņemšana bez SDS-plus



UZMANĪBU: Uzreiz pēc darba beigām darba instruments var būt karsts. Nepieciešams izvairīties no tieša kontakta ar to un lietot atbilstošus aizsargcimdus.

- Ar urbšanas patronas atslēgu (22) pagriežot urbšanas patronu ar zobrata gredzenu (23) pulksteņa rādītāja kustības virzienā, līdz būs iespējams izņemt darba instrumentu.
- Darba instrumentu pēc izņemšanas nepieciešams notīrīt.

■ Darba režīma pārlēgšana



UZMANĪBU: Darba režīma maiņu var veikt tikai tad, kad elektroinstruments ir izslēgts! Pretējā gadījumā var notikt elektroinstrumenta bojājums.

Ar darba režīma maiņas slēdzi (6) var izvēlēties elektroinstrumenta darba režīmu.

Lai mainītu darba režīmu nepieciešams nospiest bloķēšanas atbrīvošanu (5) un novietot darba režīma slēdzi vēlamā stāvoklī, līdz dzirdams fiksatora klikšķis.

Urbšana:

Slēdzi (6) novietot uz simbolu -

Urbšana ar triecienu:

Slēdzi (6) novietot uz simbolu -

Kaļšana (apgriezieni bloķēti):

Slēdzi (6) novietot uz simbolu -

Stāvoklī «Kaļšana» ierices ieslēgšanas momentā triecienu skaits automātiski palielinās; pateicoties tam kaļšanas laika instruments strādā ar palielinātu jaudu.

Kalta stāvokļa maiņa:

Instrumentu patronā ieliekt kaltnu.

Slēdzi (6) novietot uz simbolu -

Pagriežot instrumenta patronu novietojot kaltnu vēlamā darba stāvoklī.

Darba režīma slēdzi (6) novietot stāvoklī «Kaļšana». Šādā veidā instrumenta patrona tiek savā stāvoklī bloķēta.

Darba režīma slēdzim (6) kaļšanas laikā vienmēr jāatrodas stāvoklī «Kaļšana».

■ Urbšanas dziļuma uzstādīšana (zīm. E)

Urbšanas dziļuma ierobežotāju (12) var uzstādīt uz materiālā vēlamo urbšanas dziļumu. Sajā nolūkā nepieciešams:

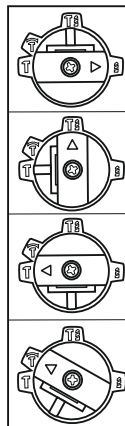
- Ielikt darba instrumentu (17) patronā SDS-plus (1) un nostiprināt gala stāvokli. Pretējā gadījumā SDS-plus instrumenta kustība var radīt nepareizu urbšanas dziļuma ierobežotāja uzstādīšanu;
- nospiest urbšana dziļuma ierobežotāja pogu (4) un izbīdīt ierobežotāju (12) tādā veidā, lai attālums no urbja gala un dziļuma ierobežotāja gala būtu vēlamais urbšanas dziļums X;
- nobloķēt ierobežotāju, atbrīvojot stiprināšanas pogu.

DARBA LAIKĀ:

■ Ieslēgšana/izslēgšana

Slēdzim (8) ir bez pakāpju apgriezumu ātruma regulēšana.

Lai ieslēgtu elektroinstrumentu nepieciešams nospiest slēdzi. Apgriezumu ātrums palielināsies jo dziļāk iespiež slēdzi. Lai izslēgtu elektroinstrumentu nepieciešams slēdzi atbrīvot.



■ **Apgriezienu virziena maiņa** (skat. zīm. G)

Trieciena urbja mašīna ir darba iespēja ar apgriezieniem pulksteņa rādītāja kustības virzienā (labie apgriezieni) vai pretēji pulksteņa rādītāja kustības virzienam (kreisie apgriezieni):

- lai uzstādītu labos apgriezienus, nepieciešams pārbīdīt kreiso / labo (7) apgriezienu maiņas slēdzi pa kreisi (skatoties no rotējošā āmura aizmugures),

- lai uzstādītu kreisos apgriezienus, nepieciešams pārbīdīt kreiso / labo (7) apgriezienu maiņas slēdzi pa labi (skatoties no rotējošā āmura aizmugures).

Kad apgriezienu maiņas slēdzis atrodas vidus stāvoklī - slēdzis (8) ir bloķēts. Urbšanai ieskrūvēšanai nepieciešams uzstādīt labos apgriezienus. Urbja izvadīšanai, iekļēta urbja izņemšanai nepieciešams uzstādīt kreisos apgriezienus.

■ **Apgriezienu ātruma/trieciena daudzuma uzstādīšana**

Palielinot vai samazinot spiedienu uz slēdzi (8) var pakāpeniski uzstādīt apgriezienu ātrumu/triecienu daudzumu.

Viegls spiediens uz slēdzi (8) rada mazu apgriezienu ātrumu/ triecienu daudzumu.

Palielināts spiediens paaugstina apgriezienu/triecienu daudzumu.

■ **Palīg apgaismojums**

Trieciena urbja mašīna ir aprīkota ar urbšanas/vietas palīg apgaismojumu (11), kurš ieslēdzas nospiežot slēdzi (8).

■ **Pārlogošanas sajūgs**

Gadījumā, ja lietotais instruments iekļējas vai iebloķējas, tad trieciena urbja mašīnas vārpstas piedziņa tiek pārtraukta. Elektroinstrumentu vienmēr nepieciešams apturēt, pie tam ņemot vērā radītos spēkus, turēt elektroinstrumentu stingri ar abām rokām un ieņemt drošu darba pozīciju.

Elektroinstrumenta bloķēšanas gadījumā, nepieciešams to izslēgt un atbrīvot darba instrumentu. Ieslēdzot iebloķētu trieciena urbja mašīnu rodas stiprs atmešanas moments.

DARBANORĀDĀJUMI:

- Lai urbtu caurumu keramikā filizē nepieciešams pārslēgt darba režīma slēdzi (6) stāvoklī «urbšana». Pēc cauruma izurbšanas keramikā filizē darba režīma slēdzi var pārslēgt stāvoklī «urbšana ar triecienu» un tālāk strādāt ar triecienu.
- Strādājot betonā, akmenī un mūrī nepieciešams lietot cietsausesjuma urbju.
- Urbjot caurumus griestos nodrošinoties pret kritošiem putekļiem nepieciešams lietot putekļu savākšanas gumijas gredzenu (18), kuru uzliek uz urbja (skat. zīm. F).

GLABĀŠANA UN KONSERVĀCIJA:

Mašīnu nepieciešams glabāt bērniem nepieejamā vietā, uzturēt tīru, sargāt no mitruma un putekļiem. Glabāšanas apstākļiem jāizslēdz mehānisko bojājumu iespēju kā arī atmosfēras apstākļu iedarbību. Metāla urbšanai lietot tikai asus metāla urbju.

UZMANĪBU: Vienmēr pirms tīrīšanas un konservācijas sākuma nepieciešams atslēgt akumulatoru no skrūvīgrīzeņa un izvilkt lādētājs kontaktdakšīņu no barošanas ligzdas.

Lādētāju nepieciešams tīrīt lietojot tikai sausu drānu.

Ārējas plastmasas detaļas var tīrīt ar mikstu drānu lietojot neitrālu tīrīšanas līdzekli.

UZMANĪBU: NEKAD nedrīkst lietot šķīdinātājus vielas.

Pēc urbšanas betonā, stipri putekļainā vidē ieteicams ar saspiesto gaisu izpūst (spiediens ne lielāks par 0,3 MPa) ventilācijas atveres un instrumenta patronu. Tas novērsīs gultnu defektu, likvidēs dzinēja dzesējošā gaisa piekļūšanai bloķējošos putekļus.

TRANSPORTS:

Trieciena urbja mašīnu transportēt un glabāt transportēšanas koferī, kurš sargā no mitruma, putekļiem un smalkiem elementiem, īpaši nepieciešams nodrošināt ventilācijas atveres. Smalkie elementi, kuri iekļūst korpusa iekšpusē var sabojāt dzinēju.

Izņemot akumulatoru no ierīces, transportēšanas vai uzglabāšanas laikā nepieciešams pārliecināties, ka nenotiks akumulatora kontaktu īssavienojums. No instrumentu kofera, kastes vai transportēšanas tvertnes nepieciešams likvidēt metāla daļas, kā piem. skrūves, naglas, sprādze, izkaisītus bitus, stieples vai metāla skaidas, vai citā veidā aizsargāt šo elementu saskaršanos ar akumulatoru.

APKĀRTĒJĀS VIDĒS AIZSARDZĪBA:



UZMANĪBU: Uzrādītais simbols nozīmē, ka aizliegts novietot nolietoto ierīci kopā ar citiem atkritumiem (iespējams naudas sods). Bīstamās sastāvdaļas, kuras atrodas elektriskās ierīces negatīvi ietekmē uz apkārtējo vidi un cilvēku veselību.

Mājsaimniecībām jāņem dalība nolietoto ierīču atgūšanā un atkārtotā izlietošanā (reciklīgā). Polijā un Eiropā tiek radīta vai jau pastāv nolietoto ierīču savākšanas sistēma, kura ietvaros visiem augstāk minēto ierīču pārdošanas punktiem ir pienākums pieņemt nolietotās ierīces. Bez tam pastāv augstāk minēto ierīču savākšanas punkti.

RAŽOTĀJS:

Profix SIA,

Marywilka iela 34,

03-228 Varšava, Polija

Šī ierīce ir saskaņā ar valsts un Eiropas normām, ka arī drošības prasībām.

UZMANĪBU! Tehnisku problēmu gadījumā lūdzam kontaktēties ar pilnvaroto servisa punktu. Visāda veida remontus veic kvalificēti personāls, lietojot oriģinālas rezerves daļas.

PIKTOGRAMMAS:

Apzīmējumu skaidrojums, kuri atrodas uz plāksnītes un informācijas uzlīmēm:



— «Pirms ieslēgšanas un darba sākuma nepieciešams iepazīties ar šo instrukciju»



— «Vienmēr lietot aizsargbrilles»



— «Lietot dzirdes aizsardzības līdzekļus»



— «Lietot putekļu maskas»

POTENCIĀLĀS PROBLĒMAS UN TO ATRISINĀŠANAS VEIDI:

PROBLĒMA	IESPĒJAMĀIS IEMESLS	RISINĀJUMS
Triecienu urbjmašīna nedarbojas.	Nav barošanas, bojāts dzinējs vai slēdzis.	Pārbaudīt baterijas stāvokli, nepieciešamības gadījumā uzlādēt vai apmainīt pret jaunu. Ja elektroinstruments joprojām nedarbojas, nepieciešams to nosūtīt remonta servisā uz garantijas kartē uzrādīto adresi.
Dzinēja darbības traucējumi.	Izlādēta baterija.	Īncārcaņi baterija.
	Akumulators sasniedza maksimālo termisko limitu.	Pagaidīt, līdz akumulators atdziest.



Firmas PROFIX politika ir nepārtraukta savu produktu pilnveidošanas politika, tāpēc firma sev rezervē tiesības ievest izstrādājuma specifikācijas izmaiņas bez iepriekšējas paziņošanas. Zīmējumi, kuri uzrādīti apkalpošanas instrukcijā kalpo tikai kā piemērs un var nedaudz atšķirties no iegādātās ierīces reālā izskata.


Šī instrukcija ir sargāta ar autortiesībām. Aizliegts to kopēt/pavairot bez PROFIX SIA rakstiskas atļaujas.



PŘED ZAHÁJENÍM POUŽÍVÁNÍ SE SEZNAMTE S TÍMTO NÁVODEM.

Uchovávejte návod pro případné další použití.



POZOR! Přečtěte si všechny výstrahy týkající se bezpečnosti používání označené symbolem  a veškeré pokyny týkající se bezpečnosti používání.

Nedodržování uvedených bezpečnostních výstrah a bezpečnostních pokynů může být příčinou zásahu elektrickým proudem, požáru a/nebo závažných úrazů.

Uchovávejte výstrahy a pokyny týkající se bezpečnosti pro případné použití v budoucnosti.

V níže uváděných výstrahách pojem „elektronářadí“ znamená elektronářadí napájené z elektrické sítě (elektrickým vodičem) nebo elektronářadí napájené baterií (bezdrátové).



VÝSTRAHA! Všeobecné výstrahy týkající se bezpečného používání nářadí.

Bezpečnost na pracovišti:

- Udržujte na pracovišti pořádek a zajistěte zde dobré osvětlení. Nepořádek a špatné osvětlení často zapříčiňují nehody.
- Nepoužívejte elektronářadí ve výbušném prostředí tvořeném hořlavými tekutinami, plyny nebo prachem. Elektronářadí vytváří jiskry, které by mohly zapálit prach nebo výpary.
- Nepouštějte děti ani jiné pozorovatele na místa, kde se používá elektronářadí. Rušení pozornosti může způsobit ztrátu kontroly nad elektronářadím.



VÝSTRAHA! Všeobecné výstrahy týkající se bezpečného používání nářadí.

Elektrická bezpečnost:

- Zástrčky nářadí musí odpovídat zásuvkám. Nikdy žádným způsobem nepředělavajte zástrčky. V případě elektronářadí, které má vodič s ochranným uzemněním, nepoužívejte žádné prodlužovačky. Původní nepředělané zástrčky a zásuvky snižují riziko zásahu elektrickým proudem.
- Vyvarujte se dotýkání uzemněných ploch nebo takových, které jsou spojené s hmotou, jako jsou trubky, ohřívače, radiátory ústředního topení a chladničky. V případě dotýkání takových ploch a předmětů roste riziko zásahu elektrickým proudem.
- Nevystavujte elektronářadí na působení deště nebo vlhka. Pokud by se do elektronářadí dostala voda, roste riziko zásahu elektrickým proudem.
- Kabely se nesmí žádným způsobem namáhat. Nikdy nepoužívejte kabel k nošení, tažení elektronářadí nebo k vytahování zástrčky ze zásuvky. Kabel musí být umístěn daleko od zdrojů tepla, oleje, ostrých hran nebo pohyblivých částí. Poškozené nebo propletené kabely zvyšují riziko zásahu elektrickým proudem.
- V případě, že se elektronářadí používá venku, je třeba prodlužovat elektrické kabely prodlužovací určenými na práci venku. Používání prodlužovace určeného do venkovního prostředí snižuje riziko zásahu elektrickým proudem.
- Doporučuje se připojení zařízení k elektrické síti vybavené proudovým chráničem (RCD) s vypínacím proudem 30mA nebo menším.

- Pokud je nezbytné použití elektronářadí ve vlhkém prostředí, je třeba použít jako ochranu proudový chránič (RCD). Použití RCD snižuje riziko zásahu elektrickým proudem.



VÝSTRAHA! Všeobecné výstrahy týkající se bezpečného používání nářadí.

Osobní bezpečnost:

- Toto zařízení nesmí používat osoby (včetně dětí) s omezenou fyzickou, smyslovou nebo psychickou schopností, nebo osoby, které nemají odpovídající zkušenosti nebo znalosti zařízení, leda že je používají s příslušným dozorem, nebo v souladu s návodem na používání zařízení, který jim předají osoby zodpovědné za jejich bezpečnost.
- Při používání elektronářadí je třeba být předvídatý, pozorovat, co se děje, a používat zdravý rozum. Nepoužívejte elektronářadí, pokud jste unavení nebo pod vlivem drog, alkoholu nebo léků. Chvilé nepozornosti při práci s elektronářadím může způsobit závažné osobní úrazy.
- Je třeba používat osobní ochranné prostředky. Je třeba vždy používat ochranné brýle. Používání v příslušných podmínkách takových ochranných prostředků, jako je protiprachová respirační maska, protiskluzová obuv, přilba nebo chrániče sluchu, snižuje nebezpečí osobních úrazů.
- Je třeba se vyhnout neplánovanému spuštění. Před připojením k elektrickému zdroji a/nebo před zapojením baterie a než se nářadí zvedne, nebo přeneše, je třeba se ujistit, že je vypínač elektronářadí v poloze vypnuto. Přenášení elektronářadí s prstem na vypínači nebo připojení elektronářadí do sítě se zapojeným vypínačem může být příčinou nehody.
- Před spuštěním elektronářadí je třeba odstranit všechny klíče. Ponechání klíče v otáčející se části elektronářadí může způsobit poranění.
- Je zakázáno přilížit se nakláňet. Po celou dobu musíte stát pevně a udržovat rovnováhu. Umožní Vám to dobře kontrolovat elektronářadí při nepředvídatelných situacích.
- Je třeba mít vhodné oblečení. Při práci nenoste volné oblečení ani bižuterii. Je třeba zajistit, aby Vaše vlasy, oblečení a rukavice byly v bezpečné vzdálenosti od pohyblivých částí. Volné oblečení, bižuterie nebo dlouhé vlasy se mohou zachytit do pohyblivých částí.
- Pokud je zařízení přizpůsobeno na napojení k vnějšímu odsávání prachu a pohlcovači prachu, ujistěte se, že jsou připojeny a řádně se používají. Použitím pohlcovačů prachu můžete omezit nebezpečí závislé na prašnosti.
- Neodvolte, aby vaše znalosti získané častým používáním elektronářadí způsobily, že se budete cítit sebejistě a začnete ignorovat bezpečnostní pravidla. Neopatrnost při činnosti může způsobit v zlomku sekundy závažný úraz.



VÝSTRAHA! Všeobecné výstrahy týkající se bezpečného používání nářadí.

Používání elektronářadí a péče o ně:

- Elektronářadí se nesmí přetěžovat. Je třeba používat elektronářadí s výkonem vhodným pro provádění určité práce. Správné elektronářadí umožní lepší a bezpečnější práci se zátěží, na kterou bylo naprojektováno.

- b) **Elektronářadí, u kterého nefunguje spínač, se nesmí používat.** Každé elektronářadí, které nelze zapínat nebo vypínat spínačem, je nebezpečné a je třeba je opravit.
- c) **Před provedením každého seřízení, výměny součástky nebo před skladováním odpojte zástrčku elektronářadí od zdroje elektrického proudu a/nebo odpojte baterii.** Takový bezpečnostní postup omezuje riziko náhodného spuštění elektronářadí.
- d) **Nepoužívané elektronářadí uchovávejte mimo dosah dětí a nedovolte přístup osobám, které nejsou obeznámené s elektronářadím nebo s tímto návodem na používání elektronářadí.** Elektronářadí může být nebezpečné v rukách nevyškolených uživatelů.
- e) **Elektronářadí je třeba udržovat.** Je třeba kontrolovat souost nebo zaseknutí pohyblivých částí, praskliny součástí a veškeré další faktory, které by mohly ovlivnit činnost elektronářadí. Pokud zjistíte poškození, musíte elektronářadí před použitím opravit. Příčinou mnohých nehod je neodborná údržba elektronářadí.
- f) **Řezací nástroje musí být ostré a čisté.** Řádná údržba ostrých hran řezacích nástrojů snižuje pravděpodobnost zaseknutí a usnadňuje obsluhu.
- g) **Elektronářadí, vybavení, pracovní nástroje apod. používejte v souladu s tímto návodem, při čemž zohledňujete pracovní podmínky a druh prováděné práce.** Používání jiným způsobem, pro který není elektronářadí určeno, může způsobit nebezpečné situace.
- h) **V nízkých teplotách, nebo pokud se nářadí po delší dobu nepoužívá, doporučuje se zapnout elektronářadí bez zátěže po dobu několika minut za účelem řádného promazání mechanismu pohonu.**
- i) **K čištění elektronářadí používejte měkký, vlhký (ne mokry) hadřík a mýdlo.** Nepoužívejte benzin, rozpouštědla a další prostředky, které by mohly poškodit zařízení.
- j) **Elektronářadí je třeba skladovat / dopravovat až potom, co se ujistíte, že jsou veškeré jeho pohyblivé součásti zablockované a zajištěné proti odblokování s použitím původních součástek určených k tomuto účelu.**
- k) **Elektronářadí skladujte na suchém místě chráněném proti prachu a průniku vlhkosti.**
- l) **Doprava elektronářadí by měla probíhat v původním obalu tak, aby bylo chráněné proti mechanickému použití.**
- m) **Držáky a plochy uchopení udržujte čisté, nezamaštěné olejem a mazivem.** Kluzké držáky a plochy uchopení neumožňují bezpečné držení nářadí a jeho plnou kontrolu v nečekaných situacích.



VÝSTRAHA! Všeobecné výstrahy týkající se používání nářadí.

Oprava:

- a) Záruční a pozáruční opravy svého elektronářadí provádí Servis PROFIX, což zaručuje nejvyšší kvalitu oprav a používání původní náhradních dílů.



UPOZORNĚNÍ! Akumulátorové vrtací kladivo, výstrahy týkající se bezpečnosti –

Osobní bezpečnost:

- a) **Při práci s vrtacím kladivem používejte chrániče sluchu.** Vystavení se nadměrnému hluku může způsobit ztrátu sluchu.
- b) **Během provádění prací, při kterých by mohl pracovní nástroj narazit na skryté elektrické vodiče, je třeba elektronářadí držet za izolované povrchy držáků.** Kontakt s elektrickým vedením může způsobit převedení napětí na kovové části nářadí, což může zapříčinit zásah

elektrickým proudem.

- c) **Používejte vyhledávače skrytého elektrického vedení nebo si vyžádejte pomoc správce budovy.** Kontakt s elektrickým vedením pod napětím může způsobit vznik požáru a zásah elektrickým proudem. Průnik do vodovodních trubek zapříčiní vznik materiálních škod.
- d) **Nepracujte s materiálem obsahujícím azbest.** Azbest způsobuje onkologická onemocnění.
- e) **Pracovní místo je třeba udržovat čisté.** Směsi materiálů jsou obzvlášť nebezpečné. Prach z lehkého kovu se může vznítit nebo vybuchnout.
- f) **Zabezpečte obráběný předmět.** Ujistěte se, že všechny upevňovací svorky jsou stisknuté a zajištěné, aby nebyly příliš volné. Upevnění předmětu v úchytu nebo ve svěráku je bezpečnější, než držet jej ruce.
- g) **Používejte elektronářadí s přídatnými držáky, které jsou součástí dodávky.** Ztráta kontroly může způsobit zranění obsluhy.
- h) **Při práci držte stroj vždy pevně oběma rukama a zajištěte si bezpečný postoj.** Oběma rukama je elektronářadí vedeno bezpečněji.
- i) **Je třeba okamžitě vypnout elektronářadí, pokud by se používané elektronářadí vzpříčilo.** Je třeba se připravit na vysoké vibrace, které způsobují zpětný ráz. Používané nářadí se vzpříčí, pokud je přetížené nebo je v obráběném předmětu nakřivo.
- j) **Před odložením elektronářadí je třeba počkat, až se přestane otáčet.** Pracovní nástroj by se mohl zablockovat a zapříčinit ztrátu kontroly nad elektronářadím.
- k) **Elektronářadí je třeba používat výhradně s akumulátory určenými k jeho napájení.** Použití jiných akumulátorů může vzniknout nebezpečí poranění nebo požáru.

Bezpečnostní pokyny pro používání dlouhých vrtáků:

- a) **Nikdy nepracujte s větší rychlostí, než je maximální rychlost otáček vrtáku.** Vrtání začínajte vždy s malou rychlostí a až po doteku vrtákem obráběného předmětu. Při vyšších rychlostech se může vrták, pokud se otáčí volně bez kontaktu s obráběným předmětem, ohýbat a způsobit úraz.
- b) **Během vrtání přitlačte vrták k obráběnému předmětu v jedné linii s vrtákem, při tom se nemá tlačít na vrták příliš silně.** Vrtáky se mohou ohýbat a tím způsobit poškození nebo ztrátu kontroly, což může vést k úrazu.



VÝSTRAHA! Bezpečné používání akumulátorů a nabíječek –

Používání akumulátorů:

- a) **Je třeba používat výhradně akumulátory shodné se specifikací uvedenou výrobcem.** V případě použití jiných akumulátorů může dojít k prasknutí a rozpadu akumulátoru, úrazu nebo požáru.
- b) **PŮZOR: V případě poškození a nesprávného používání akumulátoru může dojít k uvolňování výbušných plynů.** Akumulátor je třeba vždy udržovat v bezpečné vzdálenosti od zdroje ohně a zajistit vhodné větrání během nabíjení. *Nesmíte jej nechat po delší dobu v prostředí, ve kterém je vysoká teplota (na proslušených místech, poblíž radiátorů nebo kdekoli, kde je teplota vyšší než 40 stupňů).*
- c) **Nabíjení akumulátoru by mělo probíhat v rozsahu teplot 15-25 °C.**
- d) **Nabíjet je třeba výhradně nabíječkou doporučenou výrobcem.** Použití nabíječky určené k nabíjení akumulátorů jiného druhu vytváří riziko vzniku požáru.
- e) **Nevystavujte akumulátor na působení vody a vlhkosti.**
- f) **Pokud chcete nabíjet postupně více než jeden akumulátor,**

udělejte 30 minutovou přestávku mezi nabíjením.

- g) V žádném případě akumulátor neotevírejte.
- h) V nevhodných podmínkách může z akumulátoru unikat kapalina; zabraňte kontaktu s kapalinou. Pokud dojde náhodně ke styku uživatele s tekutinou, místo kontaktu je třeba umýt vodou. Pokud se kapalina dostane do očí, je třeba navíc hledat lékařskou pomoc. Tekutina, která se dostává z akumulátoru, může způsobit podráždění nebo popálení.
- i) V době, kdy se akumulátor nepoužívá, je třeba jej uchovávat v bezpečné vzdálenosti od takových kovových předmětů, jako jsou sponky na papír, mince, klíče, hřebíky, šrouby, nebo jiné malé kovové předměty, které by mohly způsobit zkrat akumulátoru. Zkrat akumulátoru může způsobit úraz nebo požár.
- j) **Nevyhazujte akumulátor do ohně.**
- k) **Je zakázáno používat poškozený akumulátor.**



Akumulátory jsou určeny k opakovanému nabíjení, obsahují zdraví škodlivé Li-ion.

Po ukončení doby životnosti je třeba je likvidovat v souladu s předpisy o ochraně životního prostředí.

Za tímto účelem zcela vybijte akumulátor, vytáhněte jej z elektronářadí, předejte do místa likvidace akumulátorů nebo odevzdejte do prodejny, ve které jste provedli nákup.

Používání nabíječky:

- a) **Nabíjejte výhradně nabíječkou doporučenou výrobcem.** Použití nabíječky určené k nabíjení akumulátorů jiného typu vytváří riziko vzniku požáru.
- b) **Je zakázáno nabíječku rozšroubovat.**
- c) **Nabíječka je určená výhradně na práci uvnitř místnosti.** Je zakázáno ji vystavovat na působení vody a vlhka.
- d) **Nabíjejte pouze v rozsahu teplot 15-25 stupňů.**
- e) **Je zakázáno vkládat jakékoliv kovové předměty do nabíječky.**

URČENÍ A KONSTRUKCE ŠROUBOVÁKU:

Akumulátorové vrtací kladivo je určeno k úderovému vrtání otvorů v betonu, cihlách, kamenech a ke snadnějším pracím spojeným s vysekáváním. Je možné ji používat také k vrtání bez úderů ve dřevě, kovech, keramice a umělé hmotě.

Přísně se zakazuje používat nástroj k jakýmkoliv jiným účelům.

Vrtací kladivo je určeno výhradně k hobby použití. **Je zakázáno využívat toto nářadí na provádění prací vyžadujících profesionální nářadí.**

Každé použití zařízení jinak, než to vyplývá z jeho výše uvedeného určení, je zakázáno, způsobuje ztrátu záruky a osvobozuje výrobce od odpovědnosti za takto způsobené škody.

Jakékoliv úpravy zařízení prováděné uživatelem osvobozuje výrobce od odpovědnosti za poškození a škody způsobené uživateli a v okolí.

I při používání nářadí v souladu s jeho určením nelze zcela eliminovat určité rizikové faktory. Vzhledem ke konstrukci a stavbě stroje se mohou vyskytnout následující ohrožení:

- dotek rotujícího vrtáku během práce rukou nebo oblečení obsluhy;
- spálení při výměně vrtáku. (Během práce se vrták silně zahřívá, abyste se při jeho výměně chránili před popálením, používejte ochranné rukavice);
- odhození obráběné věci nebo její části;
- zkrvení/zlomení vrtáku.

■ Kompletace

- Akumulátorové vrtací kladivo - 1ks.
- Nabíječka - 1ks.
- Akumulátor - 2ks.
- Transportní kufřík - 1ks.
- Návod na obsluhu - 1ks.
- Záruční list - 1ks.

■ Součásti zařízení (viz str. 2-4):

- Obr.A**
1. Sklíčidlo k upínání nástroje SDS-plus
 2. Protiprachová clona
 3. Objímka zajištění zástrčky
 4. Tlačítko omezovače hloubky vrtání
 5. Blokace přepínače druhu práce
 6. Přepínač druhu práce
 7. Přepínání směru otáček
 8. Vypínač
 9. Akumulátor
 10. Pomocná rukojeť
 11. Pomocné osvětlení
 12. Omezovač hloubky vrtání

- Obr.B**
13. Nabíječka
 14. Tlačítko ukazatele úrovně nabití baterií
 15. Ukazatel úrovně nabití akumulátoru

- Obr.C**
16. Západka blokády akumulátoru

- Obr.D**
17. Vrták

- Obr.F**
18. Pierścień gumowy do zbierania pyłu

- Obr.H**
19. Šroub zabezpečující vrtací úchyt s ozubeným věncem*

20. Vrtací úchyt s ozubeným věncem*

21. Upevňovací čep SDS-plus do vrtacího úchytu*

- Obr.J**
22. Klíč na vrtací úchyt s ozubeným věncem*

23. Prstenec sklíčidla

* Popsané nebo představené vybavení nepatří jako celek ke standardní výbavě elektronářadí.

TECHNICKÉ ÚDAJE:

Model	TMM20	
Napětí přívodu napájení	20 V d.c.	
Rychlost otáček bez zátěže	$n_0=0-1850/\text{min}$	
Energie úderů	2 J	
Sklíčidlo k upínání nástroje	SDS-plus	
Maximální průměr vrtání	dřevo 30 mm	
	ocel 13 mm	
	beton 18 mm	
Hmotnost (s akumulátorem)	2,75 kg	
Hladina akustického tlaku (LpA)	93,6 dB(A)	
Hladina akustického výkonu (LwA)	104 dB(A)	
Tolerance měření $K_{\text{pr}}, K_{\text{um}}$	3 dB(A)	
Úroveň vibrací podle normy EN 62841	hlavní rukojeť $a_{\text{h,SD}}$	5,677 m/s^2
	pomocná rukojeť $a_{\text{h,SD}}$	6,334 m/s^2
Tolerance měření K	1,5 m/s^2	

Typ akumulátoru	Li-ion
Napětí nabíjení akumulátoru	20 V
Kapacita akumulátoru	4Ah
Napětí nabíjení nabíječky	220-240V AC, 50-60Hz
Výstupní napětí nabíječky	20V DC, 2A
Doba nabíjení	120 min

Uvedená úroveň vibrací platí pro základní použití elektronářadí. Pokud by bylo elektronářadí použito jinak nebo s jinými pracovními nástroji, a také pokud nebude prováděna dostatečná údržba, úroveň vibrací se může lišit od uvedené. Výše uvedené důvody mohou způsobit zvýšení vystavení vibracím během celé doby práce.

Je třeba uplatnit další bezpečnostní prostředky, jejichž účelem je ochrana obsluhy proti důsledkům vystavení vibracím, např.: údržba elektronářadí a pracovních nástrojů, zajištění vhodné teploty rukou, určení pořadí pracovních úkonů.

Deklarovaná celková hodnota vibrací a deklarované hodnoty emisí hluku byly naměřeny standardními způsoby zkoušení a lze je používat pro účely srovnávání s jinými nářadími.

Deklarovaná celková hodnota vibrací a deklarované hodnoty emisí hluku lze využívat při předběžném vyhodnocení vystavení.

Výstrahy:

Vibrace a emise hluku během skutečného používání elektronářadí se mohou lišit od deklarovaných hodnot v závislosti na způsobu, jakým je nářadí používáno, a především v závislosti na druhu obráběného předmětu.

Je třeba určit bezpečnostní prostředky na ochranu obsluhy, a to na základě odhadu skutečného vystavení během používání (při zohlednění všech částí operačního cyklu, jako je doba, po kterou je nářadí zapnuto, a doba, kdy je na volnoběhu, s výjimkou doby spouštění).

PŘED ZAČÁTKEM PRÁCE:

Před každým použitím je třeba zkontrolovat, zda pohyblivé části zařízení správně fungují a nejsou blokovány, prasknuty nebo poškozeny, což by mohlo ovlivnit správné fungování zařízení. Poškozené zařízení je třeba před použitím nechat opravit.

■ Nabíjení akumulátoru:

Akumulátorové vrtací kladivo se dodává s částečně nabitým akumulátorem. Stav nabití lze zkontrolovat stlačením tlačítka ukazatele úrovně nabití baterie (14) (viz obr. B). Jedna rozsvícená LED dioda znamená nízkou úroveň nabití baterie, dvě svítící diody znamenají střední úroveň, a tři svítící diody odpovídají úplnému nabití akumulátoru. Před použitím je třeba akumulátor zcela nabít.

1. Stlačit tlačítko zajištění akumulátoru (16) a vytáhnout akumulátor (9) z vrtacího kladiva (viz obr. C).
2. Zapojit akumulátor (9) do nabíječky (13) (viz obr. B).
3. Zapojte zástrčku nabíječky do síťové zásuvky 220-240 V, 50-60 Hz.

■ Kontrolka nabíjení akumulátoru:

Zelené světlo LED diody na nabíječce informuje o tom, že je nabíječka připojena ke zdroji napájení. Po zapojení akumulátoru se rozsvítí červená dioda, která informuje, že probíhá nabíjení.

Když bude baterie zcela nabitá, červená dioda zhasne a rozsvítí se zelená.

Po ukončení nabíjení, odpojte nabíječku ze sítě a vyjměte akumulátor.

POZOR! Během nabíjení se může akumulátor mírně zahřát, to je běžný jev.

Akumulátor Li-ion lze bez zkrácení životnosti kdykoli nabít. Přerušení procesu nabíjení nepoškozuje akumulátor.

Kapacita akumulátorů s časem klesá. Po 100 cyklech nabíjení doba činnosti akumulátoru a maximální točivý moment akumulátorové vrtačky se mírně sníží. Tento pokles bude trvat, dokud akumulátor nedosáhne minimální kapacity po 250 cyklech nabíjení. Je to normální a neznamená poruchu sady akumulátorů.

■ Pomocná rukojeť

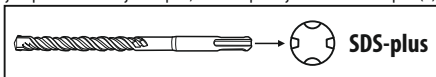
Vždy používejte pomocnou rukojeť (10). Pevné držení nářadí ve dvou rukách omezí riziko vzniku pracovního úrazu. Pomocná rukojeť se upevňuje přeložením objímky rukojeti přes rukojeť vrtačky a blokuje se dotažením úchytu ve směru hodinových ručiček (viz obr. C).

Abyste bylo možné zaujmout stabilní a neunavující polohu při práci, je možné pomocnou rukojeť vytočit libovolně do stran. Po přetočení úchytu proti směru hodinových ručiček je třeba vytočit pomocnou rukojeť do požadované polohy a zpět dotáhnout úchyt, aby byla rukojeť upevněná.

PŘÍPRAVA:

■ Volba vrtáku

Pro nárazové vrtání v betonu, cihlách, kamenech a v případě práce sekáčem jsou potřebné nástroje SDS-plus, které se upevňují do sklíčidla SDS-plus (1).



Pro vrtání do oceli nebo dřeva se používá nářadí bez SDS-plus (např. vrtáky s cylindrickým čepem). Pro tyto nářadí jsou potřebné rychlosvorkové vrtací úchty nebo úchty s ozubeným vncem.

Pokyny: Nepoužívejte nářadí bez SDS-plus na úderové vrtání nebo práci se sekáčem! Nářadí bez SDS-plus a jeho vrtací úchty se tímto použitím zničí.

■ Výměna nástrojů

Pomocí sklíčidla SDS-plus je možné snadno a pohodlně vyměnit pracovní nástroje bez použití dalšího nářadí.

Ze systémových příčin pracovní nástroj SDS-plus má volnost pohybu. Proto na volnoběhu se může vyskytovat kopání. Nemá to žádný vliv na přesnost vrtaného otvoru, protože vrták se během práce automaticky centruje.

Protiprašná clona (2) zamezuje během práce ve velké míře vniku prachu do úchytu nástrojů. Při usazování nástroje je třeba dávat pozor na to, aby se protiprašná clona (2) nepoškodila.

Poškozenou protiprašnou clonu je třeba ihned vyměnit. Doporučujeme provést výměnu v autorizovaném servisu.

■ Vkládání pracovního nástroje SDS-plus (obr. D)

- Vývod montovaného nástroje je třeba očistit a lehce namazat. Doporučujeme použít lithiové mazivo.
- Potáhněte zajišťovací objímku (3) maximálně dozadu a přidrže ji v této poloze.
- Přístrojové vybavení vkládejte do úchytu nářadí pootáčením až nadoraz.
- Uvolněte zajišťovací objímku.
- Upevnění zkontrolujte potáhnutím za nástroj.

■ Vytahování pracovního nástroje SDS-plus



POZOR: Ihned po skončení práce nástroj může být horký. Vyvarujte se bezprostředního kontaktu s nástroji a používejte ochranné rukavice.

- Přesuňte dozdro pro západku (3) dozadu a vytáhněte nástroj.
- Pracovní nástroje po vyjmutí očistěte.

■ Montáž vrtacího úchytu s ozubeným vřencem (obr. H)

- Zašroubujte upevňovací čep SDS-plus (21) do vrtacího úchytu s ozubeným vřencem (20).
- Zabezpečte vrtací úchyt s ozubeným vřencem (20) pomocí zabezpečovací šroubu (19).

POZOR: Je třeba pamatovat, že zabezpečovací šroub má levotočivý závit.

- Očistěte vkládaný konec upevňovacího čepu a lehce jej namažte lithiovým mazivem.
- Potáhněte zajišťovací objímku (3) maximálně dozadu a přidržte ji v této poloze.
- Otáčením vrtacího úchytu vsuňte upevňovací čep do úchytu nářadí SDS-plus (1) až nadoraz.
- Uvolněte zajišťovací objímku.
- Zkontrolujte blokáci popotážením za vrtací úchyt s ozubeným vřencem.

■ Demontáž vrtacího úchytu s ozubeným vřencem (obr. I)

- Přešuněte zajišťovací objímku (3) dozadu a sejměte vrtací úchyt s ozubeným vřencem (20).
- Po demontáži chraňte výměnný vrtací úchyt s ozubeným vřencem (20) před zašpiněním. V případě potřeby lehce namažte ozubení třmenem.

■ Vkládání pracovního nářadí bez SDS-plus (obr. J)

- Nasadte vrtací úchyt s ozubeným vřencem (20).
- Otevřete vrtací úchyt s ozubeným vřencem potáčením pouzdra tak, aby bylo možné vložit pracovní nářadí a vložte jej.
- Vložte klíč (22) do otvorů ve vrtacím úchytu s ozubeným vřencem a stejnoměrně upevněte vrtací nářadí.

■ Vydávání pracovního nářadí bez SDS-plus



POZOR: Ihned po ukončení práce může být pracovní nářadí horké. Vyvarujte se bezprostředního kontaktu s nimi a použijte ochranné rukavice.

- Pomocí klíče na vrtací úchyt (22) otáčejte pouzdro vrtacího úchytu s ozubeným vřencem (23) ve směru hodinových ručiček, až bude možné vytáhnout pracovní nářadí.

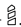
■ Přepínání druhu práce (obr. G)



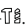
POZOR: Změny druhu práce je možné provádět pouze tehdy, když je elektronářadí vypnuté! V opačném případě můžete elektronářadí poškodit.

Pomocí přepínače druhu práce (6) můžete vybrat druh práce elektronářadím. Pro změnu druhu práce je třeba stisknout tlačítko blokace přepínače (5) a nastavit na přepínači požadovaný druh práce přetáčením, dokud neuslyšíte zvuk zarážky.


Vrtání:

Nastavte přepínač (6) na symbol - .

Vrtání úderem:

Nastavte přepínač (6) na symbol - .


Vysekávání (blokáda otáček):

Nastavte přepínač (6) na symbol - .

V poloze „Vysekávání“ se při zapnutí automaticky zvýší množství úderů; díky tomu během vysekávání nářadí pracuje se zvětšenou silou.

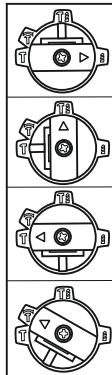
Změna polohy dláta:

Vložte dláto do upínacího sklíčidla.

Přepínač druhu práce (6) otočte do polohy - .

Otočte úchyt nářadí do požadované pracovní polohy.

Přepínač druhu práce (6) nastavte do polohy



„Vysekávání“. Takto úchyt nářadí bude ve své poloze blokován

. Přepínač druhu práce (6) musí během vysekávání vždy zůstat v poloze „Vysekávání“.

■ Nastavení hloubky vrtání (obr. B)

Omezovačem hloubky vrtání (12) je možné nastavit požadovanou hloubku proniknutí vrtáku do materiálu. Je proto třeba:

- Vložit čep pracovního nářadí SDS-plus (17) do úchytu (1) a usadit ho na doraz. V opačném případě volně nářadí SDS-plus může zapříčinit nesprávné nastavení hloubky vrtání;
- Stisknout tlačítko omezovače hloubky vrtání (4) a povytáhnout omezovač na tolik, aby vzdálenost mezi koncovkou vrtáku a koncovkou omezovače byla zároveň požadovanou vzdáleností vrtání X;
- Zablokovat omezovač uvolněním tlačítka blokace.

BĚHEM PRÁCE:

■ Vypínání/zapínání

Nainstalovaný vypínač (8) má plynulou regulaci otáčecí rychlosti.

Pro zapnutí elektronářadí stlače vypínač. Rychlost otáček se bude zvyšovat tím více, čím více stlačíte tlačítko. Pro zastavení elektronářadí je třeba pustit vypínač.

■ Volba směru otáček (viz obr. E):

Vrtací kladlo má možnost pracovat s otáčkami šroubování v souladu s pohyby hodinových ručiček (pravé otáčky) nebo v protisměru pohybu hodinových ručiček (levé otáčky):

- pro nastavení pravých otáček je třeba posunout přepínač levých / pravých otáček (7) doleva (z pohledu zezadu klavida);
- pro nastavení levých otáček je třeba posunout přepínač levých / pravých otáček (7) doprava (z pohledu zezadu klavida).

Když je přepínač směru otáček ve střední poloze, vypínač (8) je zablokován.

K vrtání nastavte pravé otáčky. Při vytahování vrtačky, vytahování vzpříčeného vrtáku je třeba nastavit levé otáčky.

■ Seřízení rychlosti otáček / počtu příklepů

Zvýšením nebo snížením tlaku na vypínač (8) lze plynule nastavit otáčecí rychlost/počet příklepů.

Lehký tlak na vypínač (8) způsobuje nízkou rychlost otáček / počet příklepů.

Zvýšený tlak zvyšuje rychlost otáček/počet příklepů.

■ Pomocné osvětlení

Vrtací kladlo je vybaveno pomocným osvětlením (11) místa vrtání / vysekávání, které se zapíná stlačením vypínače (8).

■ Spojka vypínající při přetížení

V případě, že se nářadí zasekne nebo vzpříčí, náhon do vřetene klavida bude přerušen. Elektronářadí držíte vždy, kvůli silám, které se v této chvíli vyskytují; držte je pevně v obou rukách a zaujměte stabilní pracovní polohu.

V případě blokování elektronářadí je vypněte a uvolněte pracovní nástroj. Během zapínání blokování klavida se vyskytují momenty silného zpětného odrazu.

POKYNY TÝKAJÍCÍ SE PRÁCE:

- Pro vrtání otvorů v keramických dlaždicích je třeba přemístit přepínač pracovního režimu (6) do polohy „vrtání“. Po vyvrtání otvoru v

keramice je třeba přesunout přepínač pracovního režimu do polohy «vrtání s příklepem» a dále pracovat s příklepem.

- Při práci v betonu, kameni a zdivu používejte vrták z tvrdé slitiny.
- Při vrtání otvorů ve stropu používejte gumový prstenec na sbírání prachu (18), který se nasazuje na vrták (viz obr. F), abyste se zabezpečili před padajícím prachem.
- Na vrtání v kovu používejte pouze ostré vrtáky na kov.

UCHOVÁVÁNÍ A ÚDRŽBA:

Stroj je třeba skladovat v místě, které je dětem nepřístupné, udržovat jej v čistotě, chránit před vlhkem a zaprášením. Podmínky skladování by měly vylučovat možnost mechanického poškození a vliv povětrnostních podmínek.

POZOR: Vždy před zahájením čisticích a údržbářských činností je třeba odpojit akumulátor od zařízení a vytáhnout zástrčku nabíječky ze zásuvky. Nabíječku je třeba čistit pouze s použitím suchého hadříku.

Vnější plastové části se může očistit pomocí vlhkého hadříku a jemného čisticího prostředku.

POZOR: NIKDY nepoužívejte rozpouštědla.

Po vrtání do betonu nebo v jiném prašném prostředí doporučujeme profouknout stlačeným vzduchem (maximální tlak 0,3 MPa) ventilační otvory i úchyty nástrojů. Zabrání to poškození ložisek a odstraní prach, který by mohl blokovat vzduch potřebný ke chlazení motoru.

DOPRAVA:

Vrtací kladivo přepravujte a skladujte v přepravním kufru, chránícím je proti vlhku, průniku prachu a drobných objektů, zvláště je třeba zajistit ventilační otvory. Drobné části, které proniknou dovnitř krytu, mohou poškodit motor.

Když vytahuje akumulátor ze zařízení na dobu dopravy nebo skladování, přesvědčte se, že nedojde ke zkratu kontaktů akumulátoru. Z kufříku, skříňky na nářadí nebo transportního kontejneru je třeba odstranit kovové části, jako jsou např. vruty, hřebíky, skoby rozházené bity, dráty nebo kovové třísky nebo jiným způsobem zabránit styku těchto prvků s akumulátorem.

OCHRANA ŽIVOTNÍHO PROSTŘEDÍ:



POZOR: Zobrazený symbol znamená zákaz likvidace zařízení dohromady s jinými odpady (na porušení zákazu se vztahuje pokuta). Nebezpečné složky, které se nacházejí v elektrickém a elektrotechnickém vybavení mají negativní vliv na životní prostředí a lidské zdraví.

Domácnosti by se měly zapojit do získávání zpět a opětovného využívání (recyklace) starých elektrospotřebičů. V Polsku a v Evropě se tvoří nebo už existuje systém sběru elektroodpadu, v rámci kterého mají všechna prodejní místa elektrospotřebičů povinnost přijímat elektroodpad. Kromě toho existují sběrná místa pro elektroodpad.

VÝROBCE:

PROFIX s.r.o.; ul. Marywilska 34, 03-228Varšava, Polsko

Toto zařízení vyhovuje vnitrostátním i evropským normám a bezpečnostním požadavkům.

POZOR! V případě technických problémů kontaktujte, prosíme, oprávněný servis. Veškeré opravy musí provádět kvalifikovaní odborníci, s použitím původních náhradních dílů.

PIKTOGRAMY:

Vysvětlení ikon umístěných na firemním štítku a na informačních nálepkách na zařízeních:



«Před spuštěním zařízení si přečtěte návod na obsluhu!»



«Vždy používejte ochranné brýle!»



«Používejte prostředky na ochranu sluchu!»



«Používejte ochranné masky proti prachu!»

MOŽNÉ PROBLÉMY A JEJICH ŘEŠENÍ:

PROBLÉM	MOŽNÁ PŘÍČINA	ŘEŠENÍ PROBLÉMU
Vrtací kladivo nefunguje.	Chybí napájení, je poškozen motor nebo vypínač.	Zkontrolujte stav akumulátoru, v případě potřeby jej nabijte nebo vyměňte na nový. Pokud elektronářadí nefunguje, třeba je odeslat do servisní opravy na adresu uvedenou v záručním listu.
Poruchy při práci motoru.	Vybitý akumulátor.	Nabijte akumulátor.
	Akumulátor dosáhl maximální tepelný limit.	Počkejte, až akumulátor vychladne.



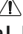
Politika firmy PROFIX je politikou průběžného zdokonalování výrobků, z toho důvodu si firma vyhrazuje právo změnit specifikaci výrobku bez předchozího informování. Obrázky, uvedené v návodu na obsluhu, jsou pouze příklady a mohou se lišit od skutečného vzhledu zakoupeného zařízení.

Tento návod je chráněn autorským zákonem. Jeho kopírování / rozmnožování bez písemného souhlasu společnosti PROFIX s.r.o. je zakázané.

Az eredeti utasítások fordítása

**HASZNÁLAT ELŐTT OLVASSA EL EZEKET AZ UTASÍTÁSOKAT!**

Tartsa meg ezt az útmutatót későbbi tájékozódás céljából!

**FIGYELEM!** Olvassa el a  szimbólummal jelzett, a munkavédelemmel kapcsolatos összes figyelmeztetést és a biztonságos használatra vonatkozó összes utasítást!

A következő biztonsági előírások be nem tartása miatt baleset, áramütés, tűzveszély és/vagy komoly sérülés fordulhat elő!

Őrizze meg az összes munkavédelmi figyelmeztetést és utasítást későbbi felhasználás céljából!

Az alábbi figyelmeztetések során használt „elektromos szerszám” kifejezés olyan szerszámot jelöl, melynek áramellátása hálózatról (tápkábel) vagy akkumulátorral (kábel nélkül) történik.

**FIGYELEM!** Általános munkavédelmi szabályok:
Munkahelyi biztonság:

- Tartsa tisztán a munkaterületét és ügyeljen a jó megvilágításra!** A munkaterületén uralkodó rendetlenség balesetekhez vezethet.
- Ne dolgozzon elektromos szerszámmal robbanásveszélyes környezetben, gyulladásveszélyes folyadékok, gázok vagy folyadékok közelében.** Az elektromos szerszámok használata során szikra keletkezhet, mely belobbanthatja a port és a gőzöket.
- Tartsa távol a gyermekeket attól a helytől, ahol használja az elektromos szerszámot.** A figyelemelterelés miatt elveszítheti kontrollját az elektromos szerszám felett.

**FIGYELEM!** A szerszám biztonságos használatával kapcsolatos általános szabályok:**Elektromos biztonság:**

- Az elektromos szerszám csatlakozó dugója meg kell feleljen az aljzattal. Tilos a csatlakozó dugó módosítása! Tilos hosszabbítók használata a védőföldeléses kábelrel ellátott elektromos szerszámok esetében!** A csatlakozó dugók és aljzatok módosítása növeli az áramütés kockázatát!
- Kerülje a testi érintkezést a földelt felületekkel vagy tárgyakkal, mint a csövek, fűtőtestek, fűtőradiátorok vagy hűtőszekrények!** A földelt részekkel való érintkezés esetén nő az áramütés kockázata!
- Ne tegye ki esőnek vagy nedves környezetnek az elektromos szerszámot!** Víz behatolása esetén nő az áramütés kockázata!
- Ne erőltesse a csatlakozó kábel! Ne használja a hálózati kábelt a szerszám mozgatására, húzására vagy a csatlakozó dugó aljzattól történő kihúzására.** Tartsa távol a hálózati kábelt hőforrásoktól, olajtól, éles szélektől és mozgó alkatrészekről! A sérült vagy összegabalyodott kábelek növelik az áramütés kockázatát!
- Amennyiben az elektromos szerszámot a szabadban használja, a csatlakozást a szabadban történő használatra alkalmas kültéri hosszabbítókkal kell megoldani.** A szabadban történő használatra alkalmas hosszabbítók használata csökkenti az áramütés kockázatát.
- A berendezést 30mA vagy kisebb kioldó áramú védőkapcsolós (RCD) elektromos hálózatra javasolt kapcsolni csatlakoztatni.**

- Amennyiben az elektromos szerszámot nedves környezetben használja, elkerülhetetlen egy feszültségvédelmi eszköz használata, mint egy hibaáram védelmi kapcsolóé (RCD).** Az RCD használata csökkenti az áramütés kockázatát.

**FIGYELEM!** A szerszám használatának biztonságával kapcsolatos általános figyelmeztetések:**Személyi biztonság:**

- Ez a berendezés nem használható csökkentett fizikai, szenzoriális vagy mentális képességű személyek (beleértve a gyermekeket is), tapasztalattal nem rendelkező személyek vagy olyan személyek által, akik nem ismerik a berendezést, kivételesen azok a helyzetek, amikor a berendezés használata felügyelet alatt vagy a használati utasítások betartásával történik egy, a biztonságért felelős személy által.**
- Legyen figyelmes, összpontosítson arra, amit csinál és legyen mindig annak tudatában, hogy elektromos szerszámmal dolgozik!** Ne használja az elektromos szerszámot, ha fáradt, ha kábítószert, alkoholt vagy gyógyszer befolyása alatt áll! Elektromos szerszám használatánál egy pillanattal figyelmetlenség is komoly sérülések okozója lehet!
- Hordjon védőruházatot! Minden esetben viseljen védőszemüveget!** Olyan védőruházat hordása mint a porvédő maszk, csúszásbiztos cipő, fülvédő vagy hallásvédő csökkenti a sérülések kockázatát!
- Kerülje el, hogy az elektromos szerszám véletlenül bekapcsoljon!** A hálózati áramforrásra történő csatlakozás és/vagy az akkumulátor csatlakoztatása, valamint a szerszám felemelése vagy mozgatása előtt, győződjön meg arról, hogy az elektromos szerszám kapcsolója kikapcsolt állapotban van! Az elektromos szerszám mozgatása vagy bekapcsolt állapotban történő használata balesetet okozhat!
- Az elektromos szerszám beindítása előtt távolítsa el minden szerszámot a közelből!** Az elektromos szerszám mozgó részein hagyott szerszámok sérüléseket okozhatnak!
- Ne hajtjon le mélyen! Álljon biztosan és tartsa meg az egyensúlyát!** Ez az elektromos szerszám jobb ellenőrzését teszi lehetővé váratlan helyzetekben.
- Ötözzön fel megfelelően! Ne hordjon bő ruházatot vagy ékszert!** Haját kösse be, ruházatát és kesztyűjét tartsa távol a mozgó alkatrészekről! A bő ruházat, az ékszer és a hosszú haj beleakadhat a mozgó alkatrészekbe.
- Amennyiben a berendezés alkalmas külső porszívó és porgyűjtő csatlakoztatására, győződjön meg arról, hogy ezek helyesen lettek csatlakoztatva és használva.** A porgyűjtő használata csökkentheti a porral járó veszélyek kockázatát.
- Ne engedje, hogy az elektromos szerszám gyakori használata során szerzett jártasság hatására túlzott magabiztossá váljon és figyelmen kívül hagyja a biztonsági szabályokat.** A figyelmen kívül hagyás alatt súlyos testi sérülést okozhat.

**FIGYELEM!** A szerszám biztonságos használatára vonatkozó általános figyelmeztetések:**Az elektromos szerszám használata és gondozása:**

- Ne terhelje túl az elektromos szerszámot!** Az elvégzendő

munkához szükséges teljesítmény függvényében használjon elektromos szerszámokat! A megfelelő elektromos szerszám jobb működést és biztosabb terhelést tesz lehetővé.

- b) **Tilos az elektromos szerszám használata, ha a kapcsoló nem indítja el és nem állítja meg a szerszámot!** Minden elektromos szerszám, amely nem indul el vagy nem áll meg, veszélyes és meg kell javítani!
- c) **Minden beállítás, alkatrészcsere vagy tárolás előtt húzza ki a csatlakozó dugót az elektromos szerszám hálózati áramforrásából és/vagy vegye ki az akkumulátort!** Ezek a biztonsági intézkedések csökkentik az elektromos áram véletlenszerű bekapcsolását.
- d) **A használaton kívüli elektromos szerszámot gyermekektől távol kell tartani, és nem szabad kölcsön adni olyan személyeknek, akik nem ismerik az elektromos szerszámot vagy nem olvasták el annak használati utasításait!** Az elektromos szerszám veszélyes, ha tapasztalat nélküli személy használja!
- e) **Az elektromos szerszámot karban kell tartani!** Ellenőrizni kell a mozgásban lévő alkatrészek vonalbeállítását vagy zavarát, az alkatrészek törését és egyéb tényezőket, melyek befolyásolhatják az elektromos szerszám működését! Ha rongálódást észlelünk, az elektromos szerszámot még használat előtt meg kell javítani! Számos baleset oka az elektromos szerszám nem megfelelő karbantartása.
- f) **A vágószerszámok élesek és tiszták kell legyenek!** A vágószerszámok éles alkatrészeinek karbantartása csökkenti az anyagba történő beakadás kockázatát és megkönnyíti a használatot.
- g) **Az elektromos szerszámot, a berendezést, a munkaszerszámokat, stb. jelen utasításoknak megfelelően kell használni, figyelembe véve a munka jellegét és feltételeit.** Az elektromos szerszám rendeltetésétől eltérő használata veszélyes helyzeteket okozhat.
- h) **Alacsony hőmérsékleten vagy hosszabb használaton kívüli időszakot követően ajánlott az elektromos szerszám teher nélküli elindítása néhány percre a kenőanyag átviteli mechanizmusba történő helyes elosztása érdekében.**
- i) **Az elektromos szerszám tisztításához puha, nedves (nem vizes) rongyot és szappant használjon! Ne használjon benzint, oldószert vagy egyéb anyagokat, amelyek károsíthatják a berendezést!**
- j) **Az elektromos szerszámot csak azután lehet tárolni/szállítani, miután megbizonyosodtunk arról, hogy minden mozgó eleme rögzítésre és biztosításra került a rögzítésre szánt eredeti elemek segítségével.**
- k) **Az elektromos szerszámot száraz helyen kell tartani, védve a portól és a nedvességtől.**
- l) **Az elektromos szerszám szállítása az eredeti csomagolásban történhet, megvédve ezáltal a mechanikai sérülésektől.**
- m) **A markolatot és a fogófelületeket tisztán, olaj- és kenőanyagtól mentesen kell tartani.** A csúszós markolatok és fogófelületek lehetetlenné teszik a szerszám biztonságos fogását és figyelemletét az esetleges váratlan szituációkban.



FIGYELEM! A szerszám biztonságos használatára vonatkozó általános figyelmeztetések:

Javítás:

- a) **Az elektromos szerszámok garanciális és garancia utáni javítását**

a PROFIX Szerviz végzi, ami garantálja a javítás kiváló minőségét és az eredeti alkatrészek használatát.



FIGYELEM! Akkumulátoros fúrókalapács, biztonságra vonatkozó figyelmeztetések -
Személyi biztonság:

- a) **A fúrókalapács használata során használjon hallásvédőt!** A zajnak való kitettség hallásvesztést okozhat!
- b) **Olyan munkavégzés során, ahol a szerszám vagy a tartozék rejtett elektromos vezetékre akadhat, az elektromos szerszámot a markolat szigetelt felületénél kell fogni.** A tápvezetékkel való érintkezés során az elektromos szerszám összes fém elemei feszültség alá kerülhetnek, ami áramütést okozhat.
- c) **Megfelelő detektor műszert kell használni a rejtett tápvezetékek lokalizálásához, vagy kikérni a létesítmény adminisztrációjának a segítségét.** A feszültség alatt lévő vezetékek megérintése tűz és áramütéshez vezethet. A gázvezeték sérülése robbanásához vezethet. A vízvezeték sérülése anyagi károkat eredményez.
- d) **Tilos azbesztet tartalmazó anyagot megmunkálni.** Az azbeszt daganatos betegséget okoz.
- e) **A munkavégzés helyét tisztán kell tartani.** Az anyagból keletkezett keverékek különösen veszélyesek. A könnyűfémről keletkezett por meggyulladhat vagy felrobbanhat.
- f) **Be kell biztosítani a megmunkált tárgyat.** Győződjön meg róla, hogy minden befogó be van nyomva és ellenőrizze, hogy nincs túl nagy hézag. A megmunkált tárgy rögzítése a rögzítőberendezésben vagy a satuban biztonságosabb, mint annak kézbe tartása.
- g) **A szerszámot az azzal együtt leszállított pótfogantyúval kell használni!** Az ellenőrzés elvesztése a kezelő súlyos testi sérüléseit okozhatja!
- h) **Erősen kézben kell tartani az elektromos szerszámot és ügyelni a stabil pozícióra.** A csavarok meghúzása és meglazítása során rövid idejű magas reakciónyomatékok léphetnek fel.
- i) **Azonan ki kell kapcsolni az elektromos szerszámot, ha elakad a szerszám. Fel kell készülni az erős vibráció kialakulására, ami visszaverődést okoz.** A szerszám elakad, ha: túl van terhelve az elektromos szerszám, vagy ha elferdül a megmunkált anyagban.
- j) **Az elektromos szerszám féltreveése előtt megvárni, míg teljesen mozdulatlan állapotba kerül.** Az elektromos szerszám beragadhat, ami az elektromos szerszám feletti uralom elvesztését eredményezheti.
- k) **Az elektromos szerszámot kizárólag ezen típus táplálására szolgáló akkumulátorral lehet használni.** Más akkumulátor használata testi sérülést és tüzet okozhat.

Hosszú fúrószárak használatára vonatkozó biztonsági útmutatók:

- a) **Sohase használja a fúrót a fúrószár maximális fordulatszámánál nagyobb sebességen.** Mindig alacsony fordulatszámon és a megmunkált anyag megérintése után kezdje meg a fúrást. Ha a fúrószár magasabb fordulatszámon nem érintkezik a munkadarabbal, hanem szabadon forog, akkor elhajolhat és személyi sérülést okozhat.
- b) **Fúrás során nyomja rá a fúrószárat a megmunkált anyagra a fúrószárral egy vonalban, nem szabad túl erősen rányomni.** A fúrószár elhajolhat és megsérülhet, vagy a szerszám feletti uralom elvesztését és személyi sérülést okozhat.



FIGYELMEZTETÉS! Az akkumulátorok és töltők biztonságos használata

Az akkumulátorok használata:

- a) **Kizárólag a gyártó által megadott specifikációnak megfelelő akkumulátort szabad használni.** Más akkumulátor használata az akkumulátor megrepedését és szétesését, testi sérülést vagy tüzet okozhat.
- b) **FIGYELEM: Az akkumulátor sérülése és helytelen használata esetén robbanógázok kibocsátására is sor kerülhet. Az akkumulátort mindig távol kell tartani a lángtól és megfelelő szellőzést kell biztosítani a töltés során.** Nem szabad hosszabb ideig olyan környezetben hagyni, ahol magas hőmérséklet uralkodik (napsütötte helyeken, fűtőtestek közelében vagy más olyan helyen, ahol a hőmérséklet meghaladja a 40 fokot).
- c) **Az akkumulátor töltését 15-25 °C közötti hőmérsékleten kell végezni.**
- d) **Kizárólag a gyártó által ajánlott töltőt szabad használni.** Más típusú akkumulátor töltésére szolgáló töltő használata tűzveszélyes.
- e) **Óvja az akkumulátort a víztől és a nedvességtől.**
- f) **Amennyiben egymás után egynél több akkumulátort szeretne feltölteni, a töltések között 30 perc szüneteket kell tartani.**
- g) **Semmilyen esetben sem szabad felnyitni az akkumulátort.**
- h) **Kedvezőtlen feltételek esetén előfordulhat, hogy az akkumulátorból folyadék szivároghat ki; kerülni kell a folyadék bőrrel való érintkezését, az érintkezés helyét vízzel lemosni. Ha a folyadék szembe kerül, orvoshoz kell fordulni.** Az akkumulátorból kifolyó folyadék irritációt vagy megégést okozhat.
- i) **Amikor nem használja az akkumulátort, akkor azt távol kell tartani a fémtárgyaktól, mint gémkapocs, pénzérme, kulcs, szög, csavar és más apró fémtárgyak, amelyek rövidre zárhatják az akkumulátor pólusait.** Az akkumulátor pólusainak a rövidzárlata megégést vagy tüzet okozhat.
- j) **Tilos az akkumulátort tűzbe dobni.**
- k) **Tilos a sérült akkumulátort tölteni.**



Az akkumulátor újratölthető, környezetre káros lítiumot tartalmaz.

Az élettartama lejártá után a természetes környezetre vonatkozó szabályok alapján megsemmisíteni.

E célból vegye ki a teljesen lemerült akkumulátort az elektromos szerszámból, adja le egy akkumulátor begyűjtő helyen vagy az üzletben, ahol azt megvásárolta.

A töltő használata:

- a) **Kizárólag a gyártó által ajánlott töltőt szabad használni.** Más típusú akkumulátor töltésére szolgáló töltő használata tűzveszélyes.
- b) **Tilos a töltőt felnyitni.**
- c) **A töltő kizárólag beltéri használatra szolgál. Óvni a víztől és a nedvességtől.**
- d) **Csak 15-25 °C közötti hőmérsékleten tölteni.**
- e) **Semmilyen fémelemet nem szabad a töltőbe helyezni.**

FÚRÓKALAPÁCS RENDELTEZÉSE ÉS FELÉPÍTÉSE:

A fúrókalapács rendeltetése: betonba, téglába és kőbe történő fúrás, valamint könnyű vésési munkák elvégzése. A szerszám fába, fémben, kerámiába és műanyagba történő ütés nélküli fúrásra is használható.

Tilos a berendezés más célból történő felhasználása!

A fúrókalapács kizárólag hobbi jellegű használatra szolgál. **Tilos a szerszámot olyan munkálatokhoz használni, amelyek**

professzionális szerszám használatát igénylik.

A berendezés minden fentebb megadott rendeltetéstől eltérő használata tilos és az a garancia megszűnését eredményezi, illetve felmenti a gyártót az ilyen nemű használat okozta károk felelőssége alól.

A berendezés sajátkezü átalakítása felmenti a gyártót a felhasználóiban és a környezetben keletkezett sérülések és károk felelőssége alól.

A rendeltetésnek megfelelő használat ellenére sem lehet teljesen kizárni a maradékkockázat meghatározott tényezőit. A gép szerkezetére és felépítésére való tekintettel a következő veszélyhelyzetek léphetnek fel:

- a forgásban lévő fúró kézzel vagy a kezelőszemély ruházatával történő megérintése a munkavégzés során;
- megégés a fúró cseréje során. (A munkavégzés során a fúró nagyon felhevül; a megégés megelőzése érdekében a fúrócsere során munkakesztyűt kell viselni);
- a megmunkált anyag vagy a megmunkált anyag darabjának a visszaverődése;
- fúró elferdülése/eltérése.

■ Tartozékok

- Akkumulátoros fúrókalapács - 1 db.
- Töltő - 1 db.
- Akkumulátor - 2 db.
- Hordtáska - 1 db.
- Használati utasítások - 1 db.
- Garanciaalap - 1 db.

■ A berendezés elemei (lásd a 2. oldalt):

- A. rajz:**
1. SDS-Plus szerszámfogantyú
 2. Porvédő
 3. Rögzítő hüvely
 4. Fúrásmélység-határoló rögzítő gomb
 5. Működési mód kapcsoló rögzített felengedő gomb
 6. Működési mód kapcsoló
 7. Forgásirány kapcsoló
 8. Be/kikapcsoló gomb
 9. Akkumulátor
 10. Pótfogantyú
 11. Segédvilágítás
 12. Fúrómélység határoló

- B. rajz:**
13. Töltő
 14. Akkumulátor töltési szint kijelző gomb
 15. Akku töltéjelző

C. rajz: 16. Akkumulátor rögzítő zár

D. rajz: 17. Fúró

F. rajz: 18. Porgyűjtő gumigyűrű

H. rajz: 19. Fogazott koronás tokmányvédő csavar*

20. Fogazott gyűrűs tokmány*

21. Tokmány SDS-Plus szerszámbefogás*

J. rajz: 22. Fogazott koronás tokmány kulcs*

23. Fogantyú hüvely*

*A leírt vagy bemutatott termék nem része a berendezés alapfelszereltségének.

MŰSZAKI ADATOK:

Modell		TMM20
Áramfeszültség		20 V d.c.
Forgási sebesség teher nélkül		$n_n=0-1850/per$
Energiaütések száma		2 J
Fűrőgép tokmánya		SDS-plus
Fúrás maximális átmérője	fa	30 mm
	acél	13 mm
	beton	18 mm
Súly (akkumulátorral)		2,75 kg
Hangnyomás szint (LpA)		93,6 dB(A)
Hangerő szint (LwA)		104 dB(A)
K_{125Hz} , K_{125Hz} bizonytalanság		3 dB(A)
EN 62841 szabvány szerinti vibrációs szint	Főfogantyú $a_{h,10}$	5,677 m/s^2
	Pótfogantyú $a_{h,10}$	6,334 m/s^2
K bizonytalanság		1,5 m/s^2
Az akkumulátor típusa		Li-ion
Akkumulátor töltéshőfeszültsége		20 V
Akkumulátor kapacitása		4Ah
Töltő tápfeszültsége		220-240V AC, 50-60Hz
A töltő kimeneti feszültsége		20V DC, 2A
Töltési idő		120 per

Az említett vibrációs szint reprezentatív az elektromos készülék használata szempontjából. Amennyiben az elektromos készülék más célból vagy egyéb munkaeszközzel kerül használatra, illetve ha karbantartása nem megfelelő, a vibrációs szint eltérhet a megjelöltől. A fent említett okok a vibrációs expozíció szintje növekedéséhez vezethetnek a működés teljes ideje alatt. Kiegészítő védelmi eszközöket kell használni, melyek célja a vibrációs expozíció kezelőre gyakorolt hatásaitól való védelem, mint pl.: Elektromos készülék és munkaeszközök karbantartása, a kezek megfelelő hőmérsékletének biztosítása, a munkatevékenységek sorrendjének megállapítása.

A megadott rezgésszint és a megadott zajkibocsátás mérése szabványos vizsgálati módszerrel történt és felhasználhatók a szerszámok összehasonlítására.

A megadott rezgésszint és a megadott zajkibocsátás felhasználható a kezdeti expozíció megállapítására.

Figyelmeztetések:

Az elektromos szerszám tényleges használata során a rezgésszint és a zajkibocsátás eltérhet a megadott értékektől, attól függően, hogyan használja a szerszámot, különösen függ a megmunkált anyag típusától.

A kezelőszemély biztonsága érdekében meg kell határozni a biztonsági intézkedéseket, melyek a valós használat alatti expozíció megbecsülésén alapszik (figyelembe véve a művelet összes folyamatát, amikor a szerszám kivan kapcsolva, és amikor üresjáraton van, a kioldási idő kivételével).

AMUNKAVÉGZÉS MEGKEZDÉSE ELŐTT:

Minden használat előtt ellenőrizni, hogy a berendezés mozgó részei megfelelően működnek és nincsenek elakadva, elrepedve vagy megsérülve, ami hatással lehet a berendezés megfelelő működésére. A sérült berendezést használat előtt meg kell javíttatni.

■ Az akkumulátor töltése:

A fúrókalapács félig töltött akkumulátorral kerül kiszállításra. A töltési szintet az akkumulátor töltési szint kijelző gomb megnyomásával

ellenőrizhető (14)(lásd a B rajz). Egy világító LED dióda alacsony töltési szintet, két világító dióda közepes szintet jelez, három világító dióda az akkumulátor teljes feltöltését jelzi. Használat előtt teljesen fel kell tölteni az akkumulátort.

1. Nyomja meg az akkumulátorzár gombot (16) és vegye ki az akkumulátort (9) a ütvefűrőből (lásd a Crajz).
2. Csatlakoztassa az akkumulátort (9) a töltőre (13) (lásd a B rajz).
3. Csatlakoztassa a töltő dugaszát 220-240V, 50-60Hz hálózati konnektorba.

■ Akkumulátor töltésjelzése

A töltő világító zöld LED diódája arról tájékoztat, hogy a töltő csatlakoztatva van a tápforrásra. Az akkumulátor csatlakoztatása után kigyullad a piros dióda, mely arról tájékoztat, hogy a töltés folyamatban van.

Amikor az akkumulátor teljesen feltöltődik, elalszik a piros dióda és kigyullad a zöld dióda.

A töltés végetértel kapcsolja le a töltőt a hálózatról és vegye ki az akkumulátort.

FIGYELEM! A töltés során az akkumulátor enyhén felmelegedhet, ez normál jelenségnek tekinthető.

A lítiumos-ionos akkumulátort bármikor utántöltheti, ez nem csökkenti annak élettartamát. A töltési folyamat félbeszakítása nem növeli az akkumulátor cellák sérülésének a kockázatát.

Az akkumulátor kapacitása idővel csökken. 100 töltési ciklust követően az akkumulátor üzemeje és a fúrócsavarozó maximális fordulatszámja enyhén csökken. Ez a csökkenés addig tart, míg 250 töltési ciklust követően az akkumulátor el nem éri a minimális kapacitását. Ez normális jelenség és nem jelenti az akkumulátor meghibásodását.

■ Pótfogantyú

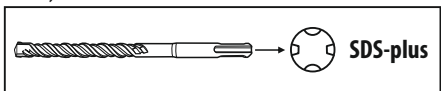
Minden esetben használja a pótfogantyút (10). Az elektromos szerszám két kézzel történő biztos fogása csökkenti a munkahelyi baleset kockázatát. A pótfogantyút beszereléséhez illesse a fogantyú kapcsát a tokmányhoz és az órajárással egyező irányba történő csavarással rögzítse azt (lásd a Crajz).

A stabil és fáradásmentes munkapozíció érdekében, forgathatja a pótfogantyút. Miután a fogantyút az órajárással ellentétes irányba csavarozta, forgassa a pótfogantyút a kívánt pozícióba és csavarozza ismét a fogantyút, hogy rögzítse azt.

HASZNÁLAT KÖZBEN:

■ Fúrófej kiválasztása

Betonba, téglába, kőbe ütvefúráshoz és véséshez SDS-Plus szerszámfogantyúra van szüksége, melyet az SDS-Plus tokmánya (1) kell helyezni!



Acélba és fába fúráshoz SDS-Plus nélküli szerszámokat kell használni (pl. hengeres szárú fúróhegyet). Ezekhez a szerszámokhoz gyors tokmánya vagy fogazott koronás tokmánya van szüksége.

JAVALLAT: Ütvefúráshoz vagy véséshez ne használjon SDS-Plus nélküli szerszámokat! Az SDS-Plus nélküli szerszámok és ezek tokmánya ütvefúráskor vagy vésésnél sérülnek.

■ Szerszámcsere

Az SDS-Plus szerszám segítségével könnyen és kényelmesen változtathatja a munkaszerszámot anélkül, hogy szerszámot cserélne.

A szisztematikus tulajdonságoknak köszönhetően az SDS-Plus szerszám mozgásszabadsággal rendelkezik. Ezért mozog üres járatban. Ez semmilyen hatást nem gyakorol a fűrőnyílás pontosságára, mivel a fűrőhegy automatikusan centrálódik a fúrás végzése során.

Munkavégzés során a porvédő (2) kis mértékben véd a por tokmányba történő bejutásától. A beszerelés ideje alatt ügyelnie kell arra, hogy ne sértse meg a porvédőt (2).

A sérült porvédőt azonnal ki kell cserélni! Azt ajánljuk, hogy ezen művelet elvégzését javítóműhelytől rendeljék.

■ Az SDS-Plus munkaszerszám behelyezése (D. rajz)

- A beszerelt szerszám fejének tisztának és enyhén megkentnek kell lenni.
- Húzza maximálisan hátra és tartsa meg ebben az állásban a reteszelő hüvelyt (3).
- Tegye be a fúrószárat a fúrótokmányba egészen addig forgatva, míg ellenállásba ütközik.
- Engedje el a reteszelő hüvelyt.
- A rögzítést a szerszám meghúzásával kell ellenőrizni.

■ A kiegészítők SDS-Plus felfogási rendszerrel történő leszerelése



FIGYELEM! Közvetlenül a munkavégzés után a munkaszerszámok forrók lehetnek. Kerülje az ezekkel való közvetlen érintkezést és használjon megfelelő védőkesztyűt!

- Nyomja hátrafelé a rögzítő hüvelyt (3) és vegye ki a kiegészítőt!
- A munkaszerszámokat meg kell tisztítani, miután kihúzta őket!

■ Fogazott koronás tokmány beszerelése (rys. H)

- Csavarozza a fogazott koronás tokmányba (20) az SDS-Plus szerszámbe fogást (21).
- Biztosítsa a fogazott koronás tokmányt (20) a rögzítő csavarral (19).

FIGYELEM! Ügyelnie kell arra, hogy a rögzítő csavar balmenetes!

- Tisztítsa meg a tokmány bedugott végét és finoman kenje be kenőzsírral.
- Húzza maximálisan hátra és tartsa meg ebben az állásban a reteszelő hüvelyt (3).
- A fúrótokmány forgatásával tolja be a fúrótokmány felfogót az SDS-plus adapterbe (1).
- Engedje el a reteszelő hüvelyt.
- Ellenőrizze, hogy a tokmány rögzült-e, ehhez húzza meg a fogazott koronás tokmányt.

■ Fogazott koronás tokmány leszerelése (I. rajz)

- Húzza hátra a rögzítő karmentyűt (3) és vegye ki a fogazott koronás tokmányt (20).
- Miután leszerelte, ügyeljen arra, hogy a fogazott koronás tokmány (20) össze ne kocsilódjon. Ha szükséges, kenje meg a gyújtótömítést

■ Munkaszerszámok SDS-Plus nélküli behelyezése (J. rajz)

- Helyezze a fogazott koronás tokmányt (20).
- Nyissa ki a fogazott koronás tokmányt a hüvely addig történő forgatásával, amíg lehetségessé válik a munkaszerszám behelyezése, Helyezze be a munkaszerszámot.
- Helyezze be a kulcsot (22) a fogazott koronás tokmány megfelelő nyílásába és egységesen rögzítse a munkaszerszámot.

■ Munkaszerszám SDS-Plus nélküli kivétele



FIGYELEM! Közvetlenül a munkavégzés után a munkaszerszámok forrók lehetnek. Kerülje az ezekkel való közvetlen érintkezést és használjon megfelelő védőkesztyűt!

- Használja a tokmány kulcsot (22), forgassa az órajárással megegyező irányba a fogazott koronás tokmány hüvelyét (23), amíg sikerül kivennie a munkaszerszámot.
- A munkaszerszámokat meg kell tisztítani, miután kihúzta őket fogait.

■ Munkatípus megváltoztatása (G. rajz)

FIGYELEM! A munkatípust csak akkor lehet megváltoztatni, ha az elektromos szerszám ki van kapcsolva! Ellenkező esetben elronthatja az elektromos szerszámot.

Használja a munkatípus kapcsolót (6) a munkaszerszám munkatípusának beállításához. A munkatípus megváltoztatásához nyomja meg a rögzítést felengedő gombot (5) és helyezze a kívánt helyzetbe a munkatípus kapcsolót, amíg a rögzítés ugrik.

Fúrás:

Állítsa a kapcsolót (6) a  jelre.

Ütvefúrás:

Állítsa a kapcsolót (6) a  jelre.

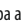
Vésés (forgás rögzítés):

Állítsa a kapcsolót (6) a  jelre.

A készülék bekapcsolásakor a «Vésés» pozícióban az ütések száma automatikusan nő, ennek köszönhetően a szerszám fokozott erővel működik.

Véső pozíciójának megváltoztatása:

Helyezze be a vésőt a szerszám tokmányába.

Forgassa a  pozícióba a munkatípus kapcsolót (6).

Forgassa el a szerszám tokmányát és helyezze a vésőt a kívánt munkapozícióba.

A munkatípus kapcsolót (6) a «Vésés» pozícióba kell állítani. Ezáltal a kívánt pozícióba rögzíti a szerszám fogantyúját.

Vésés közben a munkatípus kapcsolót (6) mindig a «Vésés» pozícióban kell maradjon.

■ Fúrásmélység szabályozása (E. rajz)

A mélységhatároló (12) segítségével szabályozhatja a fűrőgép kívánt fúrási mélységét az anyagban. Ehhez a következőket kell tennie:

- Helyezze a tokmányba (1) a munkaszerszám SDS-Plus szerszámfogantyút (17) és addig nyomja, amíg ellenállást érez. Ellenkező esetben az SDS-Plus szerszám mobilítása miatt helytelen fúrási mélységet állapíthat meg;
- nyomja meg a fúrásmélység-határoló rögzítő gombot (4) és vegye ki a határolót (12) annyira, hogy a fűrőhegy és a határolófej közötti távolság egyenlő legyen a kívánt X fúrási mélységgel;
- a rögzítőgomb elengedésével rögzítse a határolót!

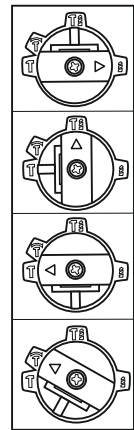
AMUNKAVÉGÉZÉS SORÁN:

■ Bekapcsolás/kikapcsolás

Az indítógomb (8) a forgási sebesség folyamatos szabályozásával rendelkezik. Az elektromos szerszám bekapcsolásához nyomja meg az indítógombot. A forgási sebesség ahhoz mérten nő, hogy mennyire erősen nyomja a gombot. Az elektromos szerszám kikapcsolásához engedje el az indítógombot.

■ Forgásirány beállítása (lásd a E rajz)

A fűrőkalapács lehetőséget nyújt arra, hogy a forgási irányt az órajárással



megegyező (jobbra forgás) vagy ellenkező (balra forgás) irányba állítsuk be:

- a forgási sebesség jobbra történő beállításához a kapcsoló balra/jobbra forgás tolókarját (7) fordítsa balra (lásd a készülék hátoldalán).

- a forgási sebesség balra történő beállításához a kapcsoló balra/jobbra forgás tolókarját (7) fordítsa jobbra (lásd a készülék hátoldalán).

Amikor a forgásirány kapcsoló középen helyezkedik el, az indítógomb (8) le van blokkolva.

Fűráshoz állítsa jobbra a forgási irányt. A fűrófej behúzásához, a fűrófej blokkoló kivételéhez állítsa balra a forgási irányt.

■ Fordulatszám/ütésszám beállítása

A fordulatszámot/ütésszámot a kapcsolóra (8) kifejtett nyomás növelésével vagy csökkentésével lehet fokozatmentesen állítani.

A kapcsoló (8) enyhé megnyomása kis fordulatszámot/ütésszámot eredményez.

A kapcsoló nagyobb lenyomása növeli a fordulatszámot/ütésszámot.

■ Segédvilágítás

A fűrókalapács a fűrés/vésés helyének segédvilágításával (11) van ellátva, amely az indítógomb (8) megnyomásakor kapcsol be.

■ Súlylódásos biztonsági tengelykapcsoló

Amennyiben a használt szerszám leáll, a fűrógép tengelyének fordulata megszakad. Az elektromos szerszámot tisztán kell tartani és a megjelenő erők miatt mindkét kézzel erősen kell tartania, illetve biztos munkapozíciót kell fenntartani.

Amennyiben az elektromos szerszám leáll, kapcsolja ki és vegye ki a munkaszerszámot. Amikor bekapcsolja az elakadt fűrógépet, egy erős visszaugró tengelykapcsolás jelenik meg.

HASZNÁLATTAL KAPCSOLATOS UTASÍTÁSOK:

- Kerámialapokban történő lyukak fűrésa esetén mozgassa a munkatípus kapcsolóját (6) a «fűrés» pozícióba! A fűrés elvégzése után, mozgassa a kapcsolót a «forgással történő fűrés» pozícióba és folytassa forgással!
- Betonba, kőbe és falba történő munkáknál használjon szilárd ötvözetű fűrófejet!
- Mennyezeti fűrésa esetén, a leeső por elleni védelem céljából, használjon fűrészárra szerelhető porgyűjtő gumi gyűrűt (18), (lásd F. rajz).
- Fémbe történő fűréshez csak fémből készült, éles fűrófejeket használjon!

TÁROLÁS ÉS KARBANTARTÁS:

A szerszámot gyermekektől távol, tisztán kell tartani, óvni a nedvességtől és a portól. A tárolási körülmények ki kell küszöböljék a mechanikus rongálódások vagy a különböző időjárási viszonyok káros hatásainak lehetőségét.

FIGYELEM: A tisztítási és karbantartási műveletek végrehajtása előtt mindig le kell kapcsolni az akkumulátort a csavarozóról és ki kell húzni a töltő dugaszát a konnektorból.

A töltőt csak száraz törölköendővel szabad tisztítani.

A külső műanyag részeket csak nedves vászonnal és finom mosószerrel kell tisztítani.

FIGYELEM! SOHA ne használjon oldószert!

Betonba történő fűrészt követően a képződött port a szellőzőnyílások és fogantyú felé irányított sűrített levegővel kell eltávolítani. Ez meggátolja a csapágyak meg rongálódását és eltávolítja a port, amely gátolja a motor

hűtés számára fontos levegővel való ellátást.

SZÁLLÍTÁS:

A fűrókalapács hordládában kell szállítani és tárolni, amely megóvja a nedvességtől, a portól és a kisméretű tárgyaktól! Különösen a szellőzőnyílásokat kell védeni! A gépházba bejutó kis elemek rongálhatják a motort.

Ha eltávolítja az akkumulátort a készülékből a szállítás vagy tárolás idejére, győződjön meg róla, hogy nem zárnak rövidre az akkumulátor érintkezői. Távolítsa el a bőröndből, szerszámoszládából vagy a szállítótárolóból a fémtárgyakat, pl. kötőcsavarokat, szögeket, csatokat, szétszórta bitfejeket, drótokat vagy fémreszelékeket, vagy más módon előzze meg ezen elemek akkumulátorral való érintkezését.

KÖRNYEZETVÉDELLEM:



FIGYELEM! Ez a jel azt jelöli, hogy a használt készüléket tilos egyéb hulladékkal egy helyen elhelyezni (pénzbüntetés terhe mellett). Elektromos és elektronikus gépek veszélyes hulladékként negatívan befolyásolják a környezetet és az emberek egészségét.

Minden háztartásnak hozzá kell járulnia a használt készülékek visszanyeréséhez és újrahasznosításához. Úgy Lengyelországban, mint Európában megszervezik vagy már létezik a használt készülékek gyűjtési rendszere, melynek keretében az adott készülék minden értékesítési helyén kötelesek átvenni a használt készüléket. Ezenkívül léteznek ilyen típusú készülékek gyűjtő központjai is.

GYÁRTÓ:

PROFIX Sp.z.o.o.,

Marywilka u. 34,

03-228 Varsó, LENGYELORSZÁG

Ez a gép megfelel a nemzeti és európai szabályoknak, valamint a biztonsági előírásoknak.

FIGYELEM! Műszaki problémák esetén lépjen kapcsolatba a márkaszervizzel. Minden javítást szakképzett személy végezhet, kizárólag eredeti cserealkatrészt használva!

PIKTOGRAMOK:

A névleges táblázatban szereplő rajzok magyarázata:



«Bekapcsolás és működtetés előtt olvassa el a használati utasításokat!»



«Védőszemüveg használata kötelező!»



«Hallásvédő használata kötelező!»



«Porvédő maszk használata kötelező!»

TÍPIKUS MEGHIBÁSODÁSOK ÉS AZOK ELTÁVOLÍTÁSA:

MEGHIBÁSODÁS	LEHETSÉGES OK	HIBA ELTÁVOLÍTÁSA
A fúrókalapács nem működik.	Nincs tápellátás, sérült motor vagy kapcsológomb.	Ellenőrizze az akkumulátor töltöttségét, szükség esetén tölteni vagy újra cserélni. Ha továbbra sem működik az elektromos szerszám, küldje be a garanciakártyán megadott című szervizbe.
Zavar a motor működésében.	Lemerült elem.	Töltse fel az akkumulátort.
	Az akkumulátor elérte a maximális hőmérsékletet.	Várja meg, míg kihűl az akkumulátor.



A PROFIX cég politikája az, hogy folyamatosan tökéletesítse termékeit, ezért fenntartja magának azt a jogot, hogy a termék specifikációit előzetes tájékoztatás nélkül módosítsa! A használati utasításokban megjelölt ábrák csak példák, ezek kicsit eltérhetnek a megvásárolt eszköz valódi arculatától!

Az alábbi útmutatót szerzői jogok védik. Annak másolása / sokszorosítása a Profix Sp. z o.o. cég írásos beleegyezése nélkül tilos.



PRIEŠ RADEKANT DARBĄ SUSIPAŽINKITE SU INSTRUKCIJA.

Išsaugokite instrukciją, nes gali būti reikalinga vėliau.



ĮSPĖJIMAS! Prašome perskaityti visus įspėjimus dėl saugaus naudojimo pažymėtus simboliais ⚠ bei visas nuorodas dėl saugaus naudojimo.

Žemiau pateikiamų įspėjimų dėl saugos bei saugos nuorodų nesilaikymas gali būti elektros smūgio, gaisro ir/arba sunkių kūno sužalojimų priežastimi. Išsaugokite visus įspėjimus ir visus saugos nuorodas, kad vėliau būtų galima jais pasinaudoti.

Žemiau pateiktuose įspėjimuose sąvoka „elektros prietaisas“ apibūdina elektros prietaisą maitinamą elektros energija iš elektros tinklo (maitinimo laidas) arba elektros prietaisą maitinamą akumuliatoriumi (belaidis).



ĮSPĖJIMAS! Bendri įspėjimai dėl saugaus įrankio naudojimo.

Sauga darbo vietoje:

- Darbo vietoje turi būti švaresnis, tvarkinga bei geras apšvietimas. *Netvarka bei netinkamas darbo vietos apšvietimas gali būti nelaimingų atsitikimų priežastimi.*
- Nenaudoti elektros prietaiso sprogioje aplinkoje, kurioje yra degūs skysčiai, degios dujos arba dulkės. *Elektros prietaiso darbo metu susidaro elektros kibirkštis, todėl gali užsidegti esantis aplinkoje garai.*
- Darbo vietoje negali būti vaikų bei pašaliniai. *Dėmesio nukreipimas gali būti elektros prietaiso valdymo praradimo priežastimi.*



ĮSPĖJIMAS! Bendri įspėjimai dėl saugaus įrankio naudojimo.

Elektros sauga:

- Elektros prietaisų kištukai turi atitikti elektros lizdo tipui. Jokiū būdu negalima keisti kištuko. Jeigu elektros prietaisas turi įžeminimą, negalima naudoti ilgutuvo. *Originalių kištukų bei lizdų naudojimas sumažina elektros smūgio riziką.*
- Venkite kūno kontakto su įžemintais paviršiais, tokiais kaip vamzdžiai, šildytuvai, centrinio šildymo radiatoriai bei šaldytuvais. *Kontaktas su įžemintais paviršiais didina elektros smūgio pavojų.*
- Saugokite prietaisą nuo lietaus ir drėgmės. *Jeigu vanduo patenka į elektros prietaisą, padidėja elektros smūgio rizika.*
- Nenaudokite laidų ne pagal paskirtį. Neneškite įrenginio paėmę už laido, netraukite už jo norėdami išjungti kištuką iš elektros lizdo. Laidą klokite taip, kad jo neveiktų karštis, jis neišsitemptų alyva ir jo nepažeistų aštrios detalės ar judančios prietaiso dalys. *Pažeistas laidas gali tapti elektros smūgio priežastimi.*
- Jeigu elektros prietaisas yra naudojamas lauke, laido prailginimui naudokite tik specialiai tam skirtus prailgintuvus. *Prailgintuvų skirtų darbui lauke naudojimas sumažina elektros smūgio riziką.*
- Įrankį rekomenduojama jungti į elektros maitinimo tinklą, turintį likutinės srovės įrenginį (RCD), kurio išjungimo srovė yra 30 mA arba mažesnė.
- Jeigu negalima išvengti elektros prietaiso naudojimo drėgnoje aplinkoje, naudokite RCD įrenginį. *RCD įrenginio naudojimas sumažina elektros smūgio riziką.*



ĮSPĖJIMAS! Bendri įspėjimai dėl saugaus įrankio naudojimo.

Žmonių sauga:

- Prietaisu negali naudotis asmenys (tame tarpe vaikai) turintis fizinius, jutimo arba psichinius negalavimus, taip pat asmenys neturintis darbo patirties arba nesuspajinę su prietaisu, nebent toks darbas vyksta stebint specialistui arba pagal prietaiso naudojimo instrukciją, kurį buvo perduota asmeniui atsakingu už saugą.
- Būkite atidūs, sutelkite dėmesį į tai, ką Jūs darote ir, dirbdami su elektros prietaisu, vadovaukitės sveiku protu. Nedirbkite su prietaisu, jei esate pavargę arba vartojote narkotikus, alkoholi ar medikamentus. *Akimirkščio neatidumas naudojant prietaisą gali tapti rimtų sužalojimų priežastimi.*
- Dėvėkite tinkamą aprangą. Nešiokite apsauginius akinius. *Apsauginės aprangos, tokios kaip dulkių kaukė, neslystantis apsauginiai batai, šalmai, asinės, naudojimas sumažina sužalojimų grėsmę.*
- Saugokitės, kad neįjungtumėte prietaiso atsitiktinai. Prieš įjungiant kištuką į elektros lizdą ir/arba prieš akumuliatoriaus įjungimą bei prieš paėmimą arba pernešant prietaisą įsitikinkite, kad prietaisas yra išjungtas. *Prietaiso pernešimas su pirštu ant jungiklio arba prietaiso įjungimas į maitinimo tinklą gali tapti nelaimingo atsitikimo priežastimi.*
- Prieš įjungdami prietaisą pašalinkite raktus. *Prietaiso besisukančioje dalyje esantis įrankis ar raktas gali tapti sužalojimų priežastimi.*
- Nepasilenkite pernelyg į priekį. Dirbdami atsisotokite patikimai ir visada išlaikykite pusiausvyrą. *Patikima stovėseną ir tinkamą kūno laikysena leis geriau kontroliuoti prietaisą netikėtose situacijose.*
- Dėvėkite tinkamą aprangą. Nedėvėkite placių drabužių ir papuošalų. Saugokite plaukus, drabužius ir pirštines nuo besisukančių prietaiso dalių. *Laisvus drabužius, papuošalus bei ilgus plaukus gali įtraukti besisukančios prietaiso dalys.*
- Jeigu įrenginiai yra pritaikyti prijungimui prie dulkių nusiurbimo ir dulkių surinkėjo, įsitikinkite, kad šie įrenginiai tinkamai prijungti ir panaudoti pagal paskirtį. *Dulkių surinkėjų panaudojimas sumažina dulkių poveikio pasekmes.*
- Elektros įrankių naudojimo įgūdžiai, igyti dažno jų naudojimo metu, negali per daug padidinti Jūsų pasitikėjimo savimi ir leisti nesilaikyti saugos taisyklių. *Neatsargiai naudojantis elektros įrankiais, galima rimtai susižeisti per kelias sekundes.*



ĮSPĖJIMAS! Bendri įspėjimai dėl saugaus įrankio naudojimo.

Rūpestinga elektros prietaisų priežiūra ir naudojimas

- Neperkraukite prietaiso. Naudojamo prietaiso galingumas turi atitikti atliekamam darbui. *Tinkamai parinktas elektros prietaisas leis atlikti darbą gerai ir saugiai.*
- Nenaudokite elektros prietaiso su sugedusiu jungikliu. *Elektros prietaisas, kurio nebeegalima įjungti ar išjungti, yra pavojingas ir jį reikia remontuoti.*
- Prieš reguliuodami prietaisą, keisdami darbo įrankius arba prieš sandėliavimą ištraukite kištuką iš elektros lizdo ir/arba atjunkite akumuliatorių. *Ši saugumo priemonė apsaugos jus nuo netikėto prietaiso įsijungimo.*

- d) Nenaudojamą prietaisą sandėliuokite vaikams ir nemokantiems juo naudotis arba nesusipažinusiems su instrukcija asmenims neprieinamoje vietoje. Elektriniai įrankiai yra pavojingi, kai juos naudoja nepatyrę asmenys.
- e) Rūpestingai prižiūrėkite prietaisą. Patikrinkite, ar besisukančios prietaiso dalys tinkamai veikia ir niekur nekliūva, ar nėra sulūžusių ar šiaip pažeistų dalių, kurios įtakotų elektros prietaiso veikimą. Jeigu yra gedimai suremontuokite prietaisą. Daugelio nelaimingų atsitikimų priežastis yra blogai prižiūrimi elektros prietaisai.
- f) Pjovimo įrankiai turi būti aštrūs ir švarūs. Rūpestingai prižiūrėti elektros prietaisai su aštriais pjovimo įrankiais yra lengviau valdomi ir juos geriau kontroliuoti.
- g) Elektros prietaisą, papildomus įrankius, darbo įrankius ir t.t. naudokite tik pagal instrukciją, turėdami omeny darbo sąlygas bei atliekamo darbo pobūdį. Elektros prietaiso naudojimas ne pagal paskirtį gali sukelti pavojingas situacijas.
- h) Jeigu prietaisas nebuvo naudojamas ilgesnį laiką arba yra naudojamas žemos temperatūros sąlygose, įjunkite jį kelioms minutėms be apkrovos tam, kad tepalas tinkamai pasiskirstytų pavaros mechanizme.
- i) Elektros prietaisus valykite minkštu, drėgnu (ne šlapiu) skuduru ir muilu. Nenaudokite benzino, tirpiklių bei kitų priemonių galinčių pažeisti prietaisą.
- j) Elektros prietaisą laikykite/transportuokite tik po to, kai įsitikinsite, kad jo visos besisukančios dalys yra užblokuotos ir saugomos originaliomis, specialiai tam skirtomis detalėmis.
- k) Elektros prietaisą laikykite sausoje, apsaugotoje nuo dulkių bei drėgmės vietoje.
- l) Elektros prietaisą transportuokite originalioje pakuotėje, saugančioje nuo mechaninių pažeidimų.
- m) Rankenos ir kiti įrankio laikymo paviršiai turi būti švarūs, nealiejuoti ir netepaluoti. Jeigu rankenos ir kiti įrankio laikymo paviršiai yra slidūs, netikėtose situacijose negalėsite įrankio saugiai laikyti ir valdyti.



ĮSPĖJIMAS! Bendri įspėjimai dėl saugaus įrankio naudojimo.

Remontas:

- a) Garantinį ir pogarantinį elektros įrankių remontą atlieka PROFIX servisas, todėl garantuojama aukščiausia remonto darbų kokybė bei originalios atsarginės dalys.



DĖMESIO! Akumulatorinis gręžimo perforatorius – gręžtuvas, saugaus darbo nuorodos.

Žmonių sauga:

- a) Darbo metu naudokite klausos apsaugos priemones. Ilgainiui darbas triukšme gali sukelti klausos praradimą.
- b) Dirbdami, kai priedas gali liestis su paslėptais elektros laidais, elektrinį įrankį visada laikykite už izoliuotų rankenos paviršių. Jeigu yra kontaktas su elektros laidais, tai visos metalinės prietaiso dalys taip pat yra po įtampa, o tai gali sukelti elektros smūgį.
- c) Elektros laidų lokalizavimui naudokite tinkamus lokalizavimo prietaisus arba kreipkitės į pastato administraciją. Kontaktas su elektros laidais gali būti gaisro bri elektros smūgio priežastimi. Dujų vamzdžio pažeidimas gali sukelti sprogimą. Vandentiekio vamzdžių pažeidimas gali sugadinti aplinkoje esančius daiktus.
- d) Draudžiama dirbti su medžiagomis, kurių sudėtyje yra asbestas. Asbestas gali būti navikinių susirgimų priežastimi.
- e) Darbo vietoje turi būti švaru. Ypač pavojingi yra medžiagų mišiniai.

Lengvos metalo dulksės gali uždegti arba sprogti.

- f) **Būtina patikimai pritvirtinti apdorojamą daiktą.** Įsitikinkite, kad visi tvirtinimo gnybtai yra užveržti bei patikrinkite, kad jie nebūtų pernelyg laisvi. Apdoramojo daikto pritvirtinimas tvirtinimo mechanizmu arba spaustuvoje didina darbo saugumą.
- g) **Naudoti papildomas rankenas.** Kontrolės praradimas gali būti susijaliojimo priežastimi.
- h) **Elektros prietaisą darbu metu būtina tvirtai laikyti bei užtikrinti stabilią darbo poziciją.** Varžtų užsikimo arba atsukimo metu gali atsirasti momentai, kai smūgiai yra labai stiprus.
- i) **Jeigu naudojamas įrankis įstrigo, nedelsiant ištraukite elektros prietaiso kordą iš elektros lizdo.** Būkite pasiruošę įrankio vibravimui, kuriuo metu gali būti atmesta apdorojama medžiaga. Naudojamas įrankis gali įstrigti, jeigu: elektros prietaisas bus perkrautas arba išsikreivins apdorojamoje medžiagoje.
- j) **Prieš padedant elektros prietaisą palaukite kol jis visiškai sustos.** Darbo įrankis gali užstrigti ir tokiu būdu priversti prie kontrolės praradimo.
- k) **Elektros prietaisą naudokite tik su specialiai jų maitinimui skirtais akumulatoriais.** Kito akumulatoriaus naudojimas gali būti sužalojimų arba gaisro priežastimi.

Ilgų gražtų saugaus naudojimo instrukcija:

- a) **Niekuomet nedirbkite maksimalų gražto sukimosi greitį viršijančiu greičiu.** Visuomet gręžti pradėkite mažu greičiu, gražtui palietus apdirbamą objektą. Naudojant didesnį greitį, apdirbamo objekto neličiantis grąžtas gali sulinkti ir sukelti kūno sužalojimus.
- b) **Gręždami tiesia linija spauskite gražtą prie apdirbamo objekto; nespauskite per stipriai.** Grąžtai gali sulinkti ir sukelti kūno sužalojimus. Taip pat galite nustoti grąžtą valdyti, kas taip pat gali sukelti kūno sužalojimus.



ĮSPĖJIMAS! Saugus akumuliatorių bei įkroviklių naudojimas.

Akumuliatorių naudojimas:

- a) **Naudokite akumulatoriaus atitinkančius gamintoju nurodytus reikalavimus.** Akumulatorius neatitinkantis reikalavimus gali skilti, tai gresia kūno sužalojimais bei gaisru.
- b) **DĖMESIO!** Jeigu gedo netinkamas parametras turintis akumulatorius, gali susidaryti sprogstamosios dujos. Akumulatorius laikykite atokiau nuo ugnies šaltinių bei užtikrinkite tinkamą vėdinimą įkrovimo metu. Draudžiama laikyti akumulatorius aukštoje temperatūroje (tiesioginiuose saulės spinduliuose, arti kaitintuvų bei kitose vietose, kur temperatūra viršija 40C laipsnių).
- c) **Akumulatorius turi būti įkraunamas 15-25 °C temperatūroje.**
- d) **Naudokite tik gamintoju rekomenduojamą įkroviklį.** Kito tipo įkroviklio naudojimas sukelia gaisro pavojų.
- e) **Saugokite akumuliatorių nuo vandens ir drėgmės.**
- f) **Jeigu yra įkraunamas daugiau negu vienas akumulatorius, būtina padaryti 30 min. pertrauką tarp įkrovimų.**
- g) **Draudžiama atidaryti akumuliatorių.**
- h) **Esant nepalankioms sąlygoms iš akumulatoriaus gali išbėgti skystis; venkite kontakto su juo.** Jeigu netyčia įvyks kontaktas su skystiu, pažeistą vietą nuplaukite vandeniu. Jeigu skystis pataikė į akis, kreipkitės medicininės pagalbos. Akumulatoriaus skystis gali sukelti odos sudirginimą ar nudegimą.
- i) **Kai akumuliatorių nėra naudojamas, laikykite jį atokiau nuo metalinių daiktų, tokių kaip: sąvaržėlės, monetos, raktai, vynai,**

draugiai arba kiti metaliniai daiktai, kurie gali būti trumpojo sujungimo su akumuliatoriaus gnybtais priežastimi. Trumpasis sujungimas gali būti nudegimų arba gaisro priežastimi.

j) **Draudžiama įmesti akumuliatorius į ugnį.**

k) **Draudžiama įkrauti pažeistą akumuliatorių.**



Akumuliatorių įkraunamų daug kartų sudėtyje yra ličio, kuris yra kenksmingas aplinkai. Sunaudotus akumuliatorius būtina utilizuoti atitinkamai aplinkos apsaugos reikalavimams. Tokiu atveju visiškai iškraukite akumuliatorių, išimkite iš elektros prietaiso ir nuneškite į akumuliatorių utilizavimo tašką arba pridukite parduotuvėje, kurioje buvo nupirkta.

Įkroviklio naudojimas:

a) **Įkrovimui naudokite tik gamintoju rekomenduojamą įkroviklį. Kito tipo įkroviklio naudojimas sukelia gaisro pavojų.**

b) **Draudžiama atidaryti arba atsukti įkroviklį.**

c) **Įkroviklis skirtas naudojimui tik patalpose. Saugokite jį nuo vandens ir drėgmės poveikio.**

d) **Kraukite temperatūroje nuo 15 iki 25 laipsnių.**

e) **Negalima įdėti jokių metalinių elementų į įkrovimo agregatą.**

GRĄŽTO PERFORATORIAUS SANDARA IR PASKIRTIS:

Akumuliatorinis gręžimo perforatorius yra skirtas smūginiam betonui, plytų ir akmens gręžimui bei kalimui. Taip pat grąžtą galima naudoti įprastam medienos, metalo, keramikos bei sintetinių medžiagų gręžimui.

Kategoriskai draudžiama naudoti prietaisą kitiems tikslams.

Gręžimo perforatorius yra skirtas tik mėgėjiškiems darbams. **Draudžiama naudoti prietaisą darbams reikalaujanties profesionalių prietaiso panaudojimo.**

Kiekvienas elektros prietaiso panaudojimas ne pagal paskirtį sukelia garantijos praradimą bei gamintojas tokiu atveju nėra atsakingas už patirtas žalias.

Bet kokios prietaiso modifikacijos padarytos naudotoju atleidžia gamintoją nuo atsakomybės už žalos patirtas tokiu atveju naudotoju bei aplinkiniams.

Nepaisant tinkamo prietaiso naudojimo negalima visiškai išvengti rizikos. Galimi rizikos atvejai:

- besisukančio darbo įrankio lietimasis ranka arba rūbais, kontaktas su maitinimo laidu.
- apsišūtinimas keičiant darbo įrankį. (Darbo metu darbo įrankis labai įkaista ir tam, kad išvengtų apsišūtinimo jo keitimo metu būtina naudoti apsaugines pirštines).
- apdorojamos medžiagos arba jos dalies atmetimas;
- darbo įrankio iškreivimas / lūžis.

■ Komplektavimas

- Akumuliatorinis gręžimo perforatorius - 1 vnt.
- Įkroviklis - 1 vnt.
- Akumuliatorius - 2 vnt.
- Dėžė transportui - 1 vnt.
- Naudojimo instrukcija - 1 vnt.
- Garantinis lapas - 1 vnt.

■ Prietaiso elementai (žr. 2 psl):

Pav.A 1. Patronas darbo įrankiams SDS-plus

2. Gaubtas, saugantis nuo dulkių
3. Užveržimo mova
4. Gręžimo gylio ribotuvo tvirtinimo mygtukas
5. Mygtukas, paleidžiantis darbo režimų jungiklio blokadą
6. Darbo režimų jungiklis
7. Prelęžznik kjerunku obrotov
8. Jungiklis
9. Akumuliatorius
10. Papildoma rankena
11. Papildomas apšvietimas
12. Gręžimo gylio ribotuvas

Pav.B 13. Įkroviklis

14. Akumuliatoriaus įkrovimo lygio mygtukas

15. Baterijos lygio indikatorius

Pav.C 16. Akumuliatoriaus blokavimo mygtukas

Pav.D 17. Grąžtas

Pav.F 18. Guminis žiedas dulkioms surinkti

Pav.H 19. Dantytojo gręžimo patrono saugos sriegis*

20. Dantytas gręžimo patronas*

21. Tvirtinimo strypas SDS-plus gręžimo patronui*

Pav.J 22. Dantytojo gręžimo patrono raktas *

23. Laikiklio įvorė *

*Pavaizduoti ar aprašyti priedai į tiekiamą standartinį komplektą neįeina.

TECHNINIAI DUOMENYS:

Modelis	TMM20	
Maitinimo įtampa	20 V d.c.	
Apsukimų greitis be apkrovos	$n_0=0-1850/\text{min}$	
Smūgio energija	2 J	
Griebtuvo kumštelių praskėtimo ribos	SDS-plus	
Maksimalus gręžimo diametras	mediena	30 mm
	plienas	13 mm
	betonas	18 mm
Svoris (su akumuliatoriumi)	2,75 kg	
Akustinio slėgio lygis (LpA)	93,6 dB(A)	
Akustinio pajėgumo lygis (LwA)	104 dB(A)	
Matavimo paklaida K_{DA}, K_{LWA}	3 dB(A)	
Vibracijos lygis pagal normą EN 62841	pagrindinė rankena $a_{n,HB}$	5,677 m/s^2
	pagalbinė rankena $a_{n,HD}$	6,334 m/s^2
Matavimo paklaida K	1,5 m/s^2	
Akumuliatoriaus tipas	Li-ion	
Akumuliatoriaus įkrovimo įtampa	20 V	
Akumuliatoriaus talpa	4Ah	
Įkroviklio maitinimo įtampa	220-240V AC, 50-60Hz	
Įkroviklio išėjimo įtampa	20V DC, 2A	
Įkrovimo laikas	120 min	

Pateiktas virpesių lygis yra reprezentatyvus pagrindiniams prietaiso panaudojimams. Jeigu elektros prietaisas bus panaudotas kitiems tikslams arba su kitais papildomais darbo įrankiais bei jeigu nebus tinkamai prižiūrimas, virpesių lygis gali skirtis.

Pateiktus aukščiau priežastys gali padidinti vibracijų lygi darbo metu. Būtina panaudoti papildomas priemones, saugančias naudotoją nuo vibracijų pasekmių, pav.: prietaiso ir darbo įrankių priežiūra, veiksmų eilės nustatymas.

Deklaruotos bendros vibracijos ir triukšmo vertės išmatuotos, taikant standartinį bandymo metodą, ir gali būti naudojamos įrankių lyginimui.

Deklaruotos bendros vibracijos ir triukšmo vertės gali būti naudojamos pradiniam poveikio vertinimui.

Įspėjimai:

Vibracija ir triukšmas elektros įrankio naudojimo metu gali skirtis nuo deklaruojamos vertės, kadangi tai priklauso nuo įrankio naudojimo būdo ir apdirbamo objekto.

Būtina apibrėžti operatoriaus darbo saugos priemones. Jos turi remtis poveikio vertinimu realioje įrankio naudojimo situacijoje (atsižvelgiant į visas darbo ciklo dalis: laiką, kuomet įrankis yra išjungtas ir kuomet veikia tuščia eiga, išskyrus įjungimo laiką).

PRIEŠ PRADEDANT DARBĄ:

Prieš kiekvieną naudojimą patikrinkite ar besisukančios įrenginio dalys tinkamai veikia bei nėra užblokuotos, įtrūkusios arba pažeistos, nes tai gali turėti įtakos tinkamam įrankio darbui. Jei įrankis sugedo, prieš naudojimą būtina jį suremontuoti.

■ Akumulatoriaus įkrovimas

Gręžimo perforatorius parduodamas su dalinai įkrautu akumulatoriumi. Įkrovimo lygį galima patikrinti, nuspaudus akumulatoriaus įkrovimo lygio mygtuką (14) (žr. pav. B). Jeigu šviečia viena LED lemputė, tai reiškia žemą įkrovimo lygį, dvi lemputės rodo vidutinį įkrovimą, o trys reiškia pilną akumulatoriaus įkrovimą. Prieš naudojant, būtina įkrauti akumulatorius iki pilno įkrovimo.

1. Nuspauskite akumulatoriaus fiksavimo mygtuką (16) ir iš perforatoriaus išimkite akumuliatorių (9) (žr. pav. C).
2. Prijunkite akumuliatorių (9) prie įkroviklio (13) (žr. pav. B).
3. Įjunkite įkroviklį į elektros lizdą 220-240 V, 50-60Hz.

■ Akumulatoriaus įkrovimo rodyklė

Ant įkroviklio šviečianti žalia LED lemputė reiškia, kad įkroviklis yra įjungtas į elektros maitinimo šaltinį. Prijungus akumuliatorių, pradeda šviesti raudona lemputė, kuri informuoja apie įkrovimo procesą.

Kuomet akumulatorius bus visiškai įkrautas, užges raudona lemputė, o užsidegs žalia.

Kai įkrovimas baigtas, išjunkite įkroviklį ir išimkite akumuliatorių.

DĖMESIO! Įkrovimo metu akumulatorius gali šiek tiek įkaisti. Tai normali su šiuo procesu susijusi situacija.

Ličio jonų akumuliatorių galima įkrauti bet kurio metu ir baterijos naudojimo laikas nesutrumpėja. Taip pat dėl įkrovimo proceso nutraukimo akumuliatoriui negresia gedimas.

Laikui bėgant, akumulatoriaus talpa mažėja. Po 100 įkrovimo ciklų suktuvo darbo laikas, naudojant akumuliatorių, ir maksimalus sukimo momentas šiek tiek sumažėja. Jis mažesnis, kol po 250 įkrovimo ciklų akumulatorius pasiek minimalią talpą. Tai normalus reiškinys, nelaukiamas akumulatoriaus gedimu.

■ Papildoma rankena

Naudoti papildomą rankeną (10). Darbo metu laikyti prietaisą abiem rankomis, tai sumažins nelaimingų atsitikimų riziką. Pagalbinė rankena tvirtinama perdodant jos apkabą per laikiklį ir blokuojama užsakant

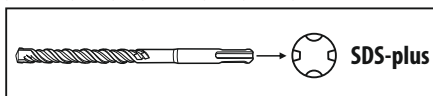
rankenėlę pagal laikrodžio rodyklės (žr. pav. C).

Kad būtų galima užimti nevarginančią bei stabilią darbo poziciją, galima išstumti papildomą rankeną. Pasukus rankenėlę priešinga laikrodžio rodyklės kryptimi, išlenkite pagalbinę rankeną iki reikiamos padėties ir vėl užveržkite rankenėlę.

APTARNAVIMAS:

■ Gražto parinkimas

Smūginiam gręžimui betone, plytose ir akmenyje reikalingas SDS-plus įrankis, kurį reikia įdėti į SDS-plus įrankių patroną (1).



Gręžimui pliene arba medienoje naudojami įrankiai be SDS-plus (pav. gražtai su cilindrinio strypu). Šiems įrankiams reikalingi yra dantytieji gręžimo patronai arba greito užveržimo.

NURODYMAS: Smūginiam gręžimui arba kalimui nenaudokite įrankių be SDS-plus! Įrankiai be SDS-plus ir jų gręžimo laikiklis smūginio gręžimo arba kalimo metu gali sugesti.

■ Įrankių keitimas

SDS-plus įrankio patrono dėka galima lengvai ir patogiai kiesti darbo įrankį be papildomų įrankių naudojimo.

SDS-plus įrankis juda laisvai. Todėl darbo tuščiosios eigos greičiu yra palkimas. Šis faktas neturi jokio poveikio tiksliam gręžiamos angos atlikimui.

Dulkių gaubtas (2) saugo nuo dulkių įsisukimo į prietaiso vidų. Įdedant įrankį atkreipkite dėmesį į tai, kad nepažeisti dulkių gaubto (2).

Pažeistą dulkių gaubtą būtina nedelsiant pakeisti. Rekomenduojame atlikti tai serviso punkte.

■ Darbo įrankio SDS-plus tvirtinimas (pav. D)

- Tvirtinamo įrankio antgalį būtina išvalyti ir patepti ličio tepalu.
- Patraukite fiksavimo movą (3) iki maksimalios galinės padėties ir prilaikykite šioje padėtyje.
- Įdedami įrankius į laikiklį sukite jį, kol pajusite pasipriešinimą.
- Atlaisvinkite fiksavimo movą (3).
- Užveržimą patikrinti patraukiant įrankį.

■ Darbo įrankio SDS-plus išėmimas (pav. E)



DĖMESIO: Po darbo pabaigos darbo įrankiai gali būti karšti. Venkite kontakto su jais ir naudokite tinkamas apsaugines pirštines.

- Užveržimo movą (3) pastumti iki galo ir išimti įrankį.
- Darbo įrankį išvalykite.

■ Dantytąjį gręžimo patrono montavimas (pav. H)

- Įsukite tvirtinimo strypą SDS-plus (21) į dantytąjį gręžimo patroną (20).
- Užfiksukite dantytąjį gręžimo patroną (20) specialiai tam skirtu sriegiu (19).

DĖMESIO: Turėkite omenyje, kad varžtas yra kairinis.

- Išvalyti įrankio tvirtinimo strypo antgalį ir patepti ličio tepalu.
- Patraukite fiksavimo movą (3) iki maksimalios galinės padėties ir prilaikykite šioje padėtyje.
- Sukdami gręžimo laikiklį, įstumkite SDS-plus įrankio tvirtinimo strypą (1) į laikiklį.
- Atlaisvinkite fiksavimo movą.
- Užveržimą patikrinti patraukiant už dantytąjį gręžimo patroną.

■ Dantytojo gręžimo patrono demontavimas (pav. I)

- Fiksavimo movą (3) pastumkite iki galo ir nuimkite dantytajį gręžimo patroną (20).
- Nuimtą dantytajį gręžimo patroną (20) laikyti švariui. Jeigu reikia, galima patepti jo dantis.

■ Darbo įrankių be SDS-plus tvirtinimas (pav. J)

- Uždėti dantytajį gręžimo patroną (20).
- Sukdami įvorę, atidarykite dantytajį gręžimo laikiklį, kol galėsite įdėti darbinį įrankį. Įdėkite darbinį įrankį.
- Į atitinkamas dantytojo laikiklio angas įdėkite raktą (22) ir užtvirtinkite darbinį įrankį.

■ Darbo įrankių be SDS-plus išėmimas



DĖMESIO: Po darbo pabaigos darbo įrankiai gali būti karšti. Venkite kontakto su jais ir naudokite tinkamas apsaugines pirštines.

- Gręžimo patrono raktą (22) sukite išorinį dantytojo gręžimo patrono žiedą (23) prieš laikrodžio rodyklės iki tol, kol galima bus ištraukti darbo įrankį.
- Darbo įrankius išvalyti.

■ Darbo režimo keitimas



DĖMESIO: Darbo režimus keisti tik, kai prietaisas yra išjungtas! Kitu atveju elektros prietaisas gali sugesti.

Naudojant darbo režimo jungiklį (6) galima pasirinkti reikiamą darbo režimą. Norėdami pakeisti darbo režimą, paspauskite blokados nuėmimo mygtuką (5) ir perjunkite darbo režimo jungiklį į norimą padėtį iki tol, kol pasigirs pejudungimo garsas.

Gręžimas:

Pejunkite jungiklį (6) į simbolį -

Smūginis gręžimas:

Pejunkite jungiklį (6) į simbolį -

Kalimas (apsukų blokavimas):

Jungiklį perjunkite (6) ties simbolio -

Kai įrankis įjungiamas padėtyje «Kalimas», smūgių skaičius automatiškai didinamas; dėka to įrankis kalimo metu dirba didesne galia.

Kalto padėties keitimas:

Kaltą įdėkite į įrankių laikiklį.

Darbo režimo mygtuką (6) pasukite iki padėties

Apsukite įrankių laikiklį, nustatydami kaltą reikiamoje darbinėje padėtyje.

Darbo režimo mygtuką (6) nustatykite padėtyje «Kalimas». Įrankių laikiklis užsiblokuoja.

Darbo režimo mygtukas (6) kalimo metu turi visą laiką būti nustatytas padėtyje «Kalimas».

■ Gręžimo gylio nustatymas (pav. E)

Gręžimo gilio ribotuvu (12) galima nustatyti reikalingą gręžimo gilį. Tam atlikti reikia:

- Įdėti darbo įrankio strypą SDS-plus (17) į patroną (1) ir pastumti iki galo. Nestabilus SDS-plus įrankis gali būti netinkamo gręžimo gylio nustatymo priežastimi;
- Paspauskite gręžimo gylio ribotuvą (4) tvirtinimo mygtuką (12) ir ištraukite jį tiek, kad atstumas tarp grąžto galiuko ir ribotuvo galiuko atitiktų reikiamą gręžimo gylį X;

- Atleisdami tvirtinimo mygtuką, užblokuokite ribotuvą.

DARBAS:

■ Įjungimas/išjungimas

Užmontuotas jungiklis (8) leidžia tolygiai reguliuoti apskimų greitį. Norėdami įjungti prietaisą, paspauskite paleidimo jungiklį. Apsukimų greitį galima didinti stipriau paspaudžiant jungiklį. Norėdami sustabdyti elektros įrankį, atlaisvinkite jungiklį.

■ Apsukimų krypties pasirinkimas (žr. pav. G)

Gręžimo perforatorius gali dirbti pagal laikrodžio rodyklės (dešinėji apskimai) arba priešingai laikrodžio rodyklės (kairieji apskimai):

- norėdami pasirinkti apskimus į dešinę, pastumkite krypties apskimų jungiklį (7) į kairę (žiūrint iš galo),
- norėdami pasirinkti apskimus į kairę, pastumkite krypties apskimų jungiklį (7) į dešinę (žiūrint iš galo).

Kai krypties apskimų jungiklis yra viduryje, jungiklis (8) yra užblokuotas. Atliekant gręžimą arba įsukant varžtus nustatykite dešinius apskimus. Jeigu norite ištraukti įstrigusį grąžtą arba išsukti varžtus, nustatykite kairiuosius apskimus.

■ Apsukimų greičio/smūgių skaičiaus reguliavimas

Apsukimų greitis / smūgių skaičius sklandžiai reguliuojamas didinant arba mažinant jungiklio (8) spaudimą.

Lengvas jungiklio (8) spaudimas duoda nedidelį apskimų greitį / smūgių kiekį.

Apsukimų greitis / smūgių kiekis didinamas stipriau paspaudžiant jungiklį.

■ Papildomas apšvietimas

Gręžimo perforatoriaus įrengtas gręžimo/sukimo vietos pagalbinis apšvietimas (11), kuris įjungiamas nuspaudus jungiklį (8).

■ Perkrovos mova

Įrankio užstrigimo arba užsiblokavimo atveju nutraukiamas veleno pavaros darbas. Elektrinį įrankį laikykite suėmę abejomis rankomis ir patikimai stovėkite, kad atlaikyti veikiančias jėgas.

Elektrinio įrankio užsiblokavimo atveju, išjunkite jį ir atlaisvinkite darbinį įrankį. Užsiblokavusio perforatoriaus-gręžtuvo įjungimo metu gali įvykti atatrąnką.

DARBAS:

- Norėdami gręžti angas keramikos plytelėse perjunkite darbo režimo jungiklį (6) į padėtį „gręžimas“. Po to, kai spūlys bus padarytas, perjunkite jungiklį į padėtį „smūginis gręžimas“ ir dirbkite toliau smūginio gręžimo režimu.
- Dirbant su betonu, akmeniu plytomis naudokite kieto lydinio gręžtuvą.
- Gręžiant skyles lubose, apsaugai nuo krentančių dulkių naudokite apsauginį guminį žiedą (18), kuris uždedamas ant gręžtuvo (žiūrėkite pav. F).
- Metalui naudokite tik gręžtuvus skirtus metalui.

LAIKYMAS IR PRIEŽIŪRA:

Prietaisą laikykite vietoje nepasiekiamoje vaikams; prietaisas turi būti švarus bei saugomas nuo dulkių ir drėgmės. Laikymo sąlygos turi užtikrinti saugumą nuo mechaninių pažeidimų bei oro sąlygų poveikio. Išorinės plastikinės dalis valyti drėgnu skuduru ir švelniu valikliu.

DĖMESIO: Atliekant valymo bei remonto darbus visada atjunkite akumuliatorių nuo prietaiso ir išimkite įkrautuo kištuką iš elektros lizdo.

Įkroviklį valykite tik sausu skudurėliu.

Išorinės plastikinės dalis valyti drėgnu skuduru ir švelniu valikliu.

DĖMESIO: DRAUDŽIAMA naudoti tirpiklius.

Po gręžimo betone, kai susidaro daug dulkių, rekomenduojama prapusti ventilacines angas ir įrankių laikiklį suslėgtu oru (slėgis ne didesnis nei 0,3MPa). Tokiu būdu bus saugomi guoliai, pašalintos dulkės, kurios gali blokuoti variklį.

RANSPORTAS:

Grąžtą perforatorių transportuokite ir laikykite specialiai tam skirtoje dėžėje, saugančioje nuo drėgmės, dulkių ir smulkių objektų įsiskverbimo, ypač saugokite ventilacines angas. Smulkūs elementai, patenkantys į korpusą gali pažeisti variklį.

Jeigu akumulatorius yra išimtas gabenimo arba laikymo periodui, patikrinkite, ar nebus akumulatoriaus kontaktų sujungimo. Iš lagaminėlio, įrankių dėžės arba transportavimo konteinerio išimkite metalines dalis (varžtus, vinis, sagtis, išmėtytus antgalius, vielas arba metalo drožles) ar kitokiu būdu užtikrinkite, kad akumulatorius tokių elementų nelies.

APLINKOS APSAUGA:



DĖMESIO: Pateiktas simbolis reiškia, kad panaudotus prietaisus draudžiama išmesti kartu su kitomis atliekomis (už pažeidimą gresia piniginė bauda). Panaudoti elektros prietaisai bei elektroninės dalis ir komponentai turi neigiamą poveikį aplinkai ir žmonių sveikatai.

Namų ūkis turėtų prisidėti prie panaudotos įrangos utilizavimo bei pakartotino medžiagų panaudojimo (perdirbimo). Lenkijoje ir Europoje yra kuriama arba jau veikia panaudotos įrangos surinkimo sistema. Todėl visi paminėtos įrangos pardavimo taškai yra įpareigoti priimti panaudotą

įrangą. Be to yra specialūs panaudotos įrangos priėmimo taškai.

GAMINTOJAS:

PROFIX Sp. z o.o.

Marywilśka 34,

03-228 Varšuva, Lenkija

Šis prietaisas atitinka šalies bei Europos reikalavimus bei visus saugos reikalavimus.

DĖMESIO! Atsiradus techninių problemų, kreipkitės į autorizuotą servisą. Prietaiso remontą gali atlikti tik kvalifikuotas personalas, naudojant tik originalias atsargines dalis.

PIKTOGRAMAI:

Paveikslėlių esančių prietaiso firminėje lentelėje ir informaciniuose lipdukuose paaiškinimas:



– «Prieš įjungdami perskaitykite naudojimo instrukciją!»



– «Visada dėvėkite apsauginius akinius!»



– «Naudokite klausos apsaugos priemonės!»



– «Naudokite dulkių kaukę!»

TIPIŠKI GEDIMAI IR JŲ ŠALINIMAS:

PROBLEMA	SPĖJAMA PRIEŽASTIS	PROBLEMOS SPRENDIMAS
Gręžtuvas-suktuvas neveikia.	Elektros maitinimo stoka, gedo variklis arba paleidimo jungiklis.	Patikrinti baterijos būklę bei jeigu reikia, pakeisti ją. Jeigu elektros prietaisas toliau neveikia, nuvežkite jį į techninio aptarnavimo servisą (adresas nurodytas garantiniame lape).
Variklis blogai veikia.	Išsikrovę baterija.	Įkrauti bateriją.
	Akumulatorius maksimaliai įkaiito.	Palaukite, kol akumulatorius atvės.



PROFIX įmonė siekia tobulinti savo produktus, todėl gali keistis produktų specifikacijos. Apie šiuos pasikeitimus įmonė nėra įpareigota nepranešti. Paveikslėliai esantis aptarnavimo instrukcijoje tai tik pavyzdžiai bei gali skirtis nuo nusipirkto prietaiso.

Ši instrukcija yra apsaugojama autoriaus teise. Kopijavimas/plėtojimas be PROFIX Sp. z o.o. leidimo raštu draudžiamas.

DT-CZ/d_zg/0408

Łomna Las: 2022.05.19

(EN) EC/EU DECLARATION OF CONFORMITY
(PL) DEKLARACJA ZGODNOŚCI WE/UE
(RO) DECLARAȚIE DE CONFORMITATE CE/UE

(LV) EK/ES ATBILSTĪBAS DEKLARĀCIJA
(LT) EB/ES ATITIKTIES DEKLARACIJA
(CS) ES/EU PROHLÁŠENÍ O SHODĚ

(HU) EK/EU-MEGFELELŐSÉGI NYILATKOZATA

(EN) MANUFACTURER	(PL) PRODUCENT	(RO) PRODUCĂTOR	(LV) RAŽOTĀJS	(LT) GAMINTOJAS	(CS) VÝROBCE	(HU) GYÁRTÓ
----------------------	-------------------	--------------------	------------------	--------------------	-----------------	----------------

PROFIX Sp. z o.o. ul. Marywińska 34, 03-228 Warszawa

(EN) Person who was authorized to develop technical documentation:
(PL) Osoba upoważniona do przygotowania dokumentacji technicznej:
(RO) Persoana împuternicită pentru pregătirea documentației tehnice:
(LV) Persona atbildīga par tehnikas dokumentācijas sagatavošanu:

(LT) Asmuo įgaliojotas parengti techninę dokumentaciją:
(CS) Osoba oprávněna připravit technickou dokumentaci:
(HU) Műszaki dokumentáció elkészítésére meghatalmazott személy:

Mariusz Rotuski, Centrum Dystrybucyjno-Handlowe PROFIX, ul. Dobra 3, Łomna Las, 05-152 Czosnow

(EN) Cordless rotary hammer (PL) Młotowiertarka akumulatorowa (RO) Bormașină cu percuție cu acumulatori (LV) Akumulatoris trieciema urbjašana
(LT) Akumulatorinis gręžimo perforatorius (CS) Akumulátorové vrtací kladivo (HU) Akkumulátoros fűrészalapács

TRYTON TMM20

ZOC-SKT04-LD1811-1

20 V d.c.; n: 0-1850/min

S2138 -...- S2705

(EN) The object of the declaration described above is in conformity with the relevant Union harmonisation legislation: (PL) Wymieniony powyżej przedmiot niniejszej deklaracji jest zgodny z odnośnymi wymaganiami unijnego prawodawstwa harmonizacyjnego: (RO) Obiectul declarației descris mai sus este în conformitate cu legislația relevantă de armonizare a Uniunii: (LV) Iepriekš aprakstītais deklarācijas priekšmets atbilst attiecīgajam Savienības saskaņošanas tiesību aktam (LT) Pirmaiau aprašytas deklaracijos objektas atitinka susijusių derinamuosiu Sąjungos teisės aktus: (CS) Výše popsaný předmět prohlášení je ve shodě s příslušnými harmonizačními právními předpisy Unie: (HU) A fent ismertetett nyilatkozat tárgya megfelel a vonatkozó uniós harmonizációs jogszabálynak:

(EN) 2006/42/EC (OJ L 157, 9.6.2006, p. 24–86); 2014/30/EU (OJ L 96, 29.3.2014, p. 79–106); 2011/65/EU of the European Parliament and of the Council of 8 June 2011 on the restriction of the use of certain hazardous substances in electrical and electronic equipment (OJ L 174, 1.7.2011, p. 88–110) change 2015/863/UE;
(PL) 2006/42/WE (Dz.U. L 157 z 9.6.2006, str. 24–86); 2014/30/UE (Dz.U. L 96 z 29.3.2014, str. 79–106); 2011/65/UE z dnia 8 czerwca 2011 r. w sprawie ograniczenia stosowania niektórych niebezpiecznych substancji w sprzęcie elektrycznym i elektronicznym (Dz.U. L 174 z 1.7.2011, str. 88–110), zmiana 2015/863/UE;
(RO) 2006/42/CE (JO L 157, 9.6.2006, p. 24–86); 2014/30/UE (JO L 96, 29.3.2014, p. 79–106); 2011/65/UE a Parlamentului European și a Consiliului din 8 iunie 2011 privind restricțiile de utilizare a anumitor substanțe periculoase în echipamentele electrice și electronice (JO L 174, 1.7.2011, p. 88–110) schimbare 2015/863/UE;
(LV) 2006/42/EK (OV L 157, 9.6.2006., 24./86. lpp.); 2014/30/ES (OV L 96, 29.3.2014., 79./106. lpp.); 2011/65/ES (2011. gada 8. jūnija) par dažu bīstamu vielu izmantošanas ierobežošanu elektriskās un elektroniskās iekārtās (OV L 174, 1.7.2011., 88./110. lpp.) maiņa 2015/863/UE;
(LT) 2006/42/EB (OL L 157, 2006.6.9, p. 24–86); 2014/30/ES (OL L 96, 2014.3.29, p. 79–106); 2011/65/ES 2011 m. birželio 8 d. dėl tam tikrų pavojingų medžiagų naudojimo elektros ir elektroninėje įrangoje apribojimo (OL L 174, 2011.7.1, p. 88–110); pokyitis 2015/863/UE;
(CS) 2006/42/ES (Úř. věst. L 157, 9.6.2006, s. 24–86); 2014/30/EU (Úř. věst. L 96, 29.3.2014, s. 79–106); 2011/65/EU ze dne 8. června 2011 o omezení používání některých nebezpečných látek v elektrických a elektronických zařízeních (Úř. věst. L 174, 1.7.2011, s. 88–110) změna 2015/863/UE;
(HU) 2006/42/EK (HL L 157., 2006.6.9., 24–86. o.); 2014/30/EU (HL L 96., 2014.3.29., 79–106. o.); 2011/65/EK irányelve (2011. június 8.) egyes veszélyes anyagok elektromos és elektronikus berendezésekben való alkalmazásának korlátozásáról (HL L 174., 2011.7.1., 88–110. o.) változás 2015/863/UE;

(EN) References to the relevant harmonised standards used or references to the other technical specifications in relation to which conformity is declared:
(PL) Odniesienia do odnośnych norm zharmonizowanych, które zastosowano, lub do innych specyfikacji technicznych, w stosunku do których deklarowana jest zgodność:
(RO) Trimiteri la standardele armonizate relevante folosite sau trimeri la celelalte specificații tehnice în legătură cu care se declară conformitatea:
(LV) Atsauces uz attiecīgajiem izmantotajiem saskaņotajiem standartiem vai uz citām tehnikajām specifikācijām, attiecībā uz ko tiek deklarēta atbilstība:
(LT) Susijusiu taikytų darnųjų standartų nuorodos arba kitų techninių specifikacijų, pagal kurias buvo deklaruota atitiktis, nuorodos:
(CS) Odkazy na příslušné harmonizované normy, které byly použity, nebo na jiné technické specifikace, na jejichž základě se shoda prohlašuje:
(HU) Az alkalmazott harmonizált szabványokra való hivatkozás vagy az azokra az egyéb műszaki leírásokra való hivatkozás, amelyekkel kapcsolatban megfeleléségi nyilatkozatot tették.

EN 60745-1:2009+A11:2010 EN 60745-2-6:2010

EN 55014-1:2017+A11:2020 EN 55014-2:2015

IEC 62321-3-1:2013 IEC 62321-5:2013 IEC 62321-4:2013 IEC 62321-7-2:2017 IEC 62321-7-1:2015 IEC 62321-6:2015 IEC 62321-8:2017

Mariusz Rotuski

Pérmocnok Zárządu ds. Certyfikacji
Representative of the Board for Certification

(EN) This declaration of conformity is issued under the sole responsibility of the manufacturer. (PL) Niniejsza deklaracja zgodności wydana zostaje na wyłączną odpowiedzialność producenta. (RO) Prezenta declarație de conformitate este emisă pe răspunderea exclusivă a producătorului. (LV) Šī atbilstības deklarācija ir izdota vienīgi uz šāda ražotāja atbildību. (LT) Ši atitikties deklaracija išduota tik gamintojo atsakomybe. (CS) Toto prohlášení o shodě vydal na vlastní odpovědnost výrobce. (HU) E megfeleléségi nyilatkozat a gyártó kizárólagos felelősségére kerül kibocsátásra.

