

BLAUPUNKT

EM5010

Owner's manual
Instrukcja obsługi
Návod k použití
Návod na použitie
Használati utasítás
Navodila

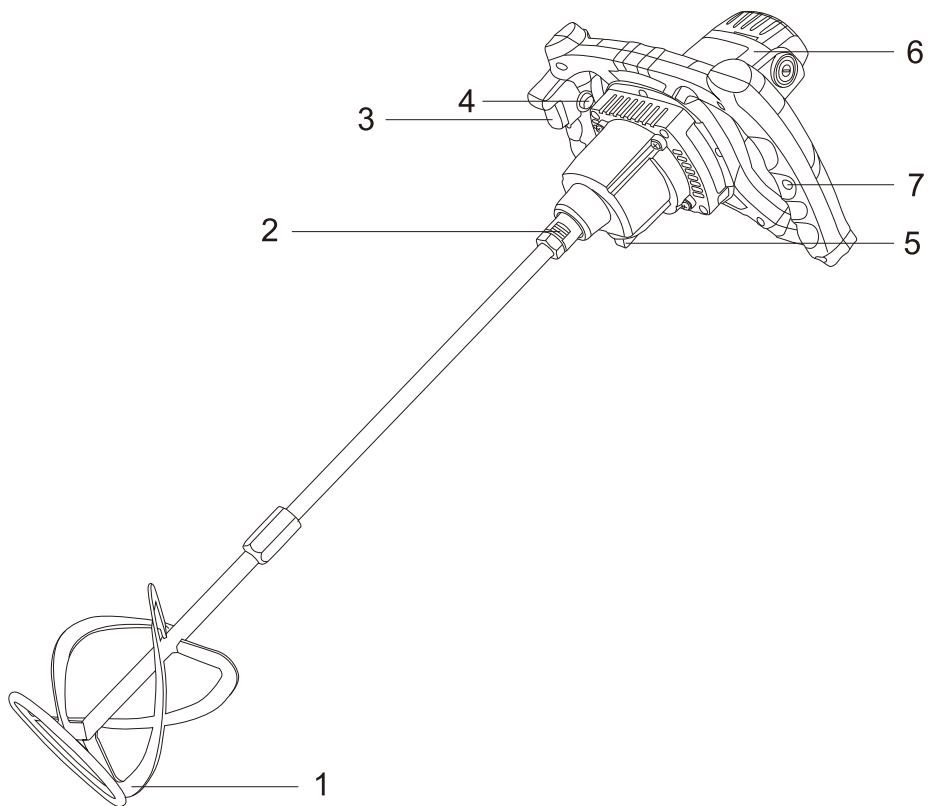
Уpute za uporabu
εγχειρίδιο οδηγιών
инструкция за употреба
Manual de instructiuni
Instrukciju vadovas
Kasutusjuhendit



Enjoy it.

Φουσκωτό στρώμα
Napihljiva vzmetnica
Nafukovací matrac
Täispuhutav madrats
Piepūšamais matracis
Lapu sūcējs

Electric Mixer
Materac dmuchany
Pripučiamas čiužinys
Nafukovací matrace
Felfújható matrac
Saltea pneumatică
Надуваем матрак



IMPORTANT INFORMATION

To achieve the highest satisfaction, enjoy the product's performance and learn about all its features and functions, please read this manual before using the product.

Before using the device, read the Operating Instructions and comply to its contents. The manufacturer shall not be liable for any damage caused by the use of the device other than for its intended purpose or by improper handling.

Keep these Operating Instructions for future reference.

- This device is for domestic use only. Do not use for any other purposes.
- The device should only be connected to a socket with values corresponding to the values on the rating label.
- It is necessary to check, if total current consumption of all devices plugged into the wall outlet does not exceed the fuse in the circuit.
- If you are using an extension cord, make sure that the total power consumption of the equipment plugged into the extension cord does not exceed the extension cord power rating. Extension cords should be arranged in such a way as to avoid tripping hazards.
- Do not let cord hang over edge of counter, or touch any hot surface.
- The device is not designed to be controlled via an external timer, separate remote control, or other equipment that can turn the device on automatically.
- Before maintenance work always disconnect the unit from the power supply.
- When unplugging the power cord from electrical outlet, hold it by the plug only and remove the plug carefully. Never pull the cable as it may cause damage to the plug or power cord. Damage to the power cord or plug can lead to an electrocution hazard.
- Never leave the product connected to the power source without supervision.

- Never put the power cable, the plug or the whole device into the water or any other liquids.
- The device should be cleaned regularly complying with the recommendations described in the section on cleaning and maintenance.
- Do not place the device near sources of heat, flame, an electric heating element or a hot oven. Do not place on any other device.
- This equipment can be used by children aged 8 years and over under as long as supervision is provided. People with reduced physical or mental capabilities, as well as people with no previous experience of using this equipment must be supervised and made aware of the risks. The instruction manual should be used as a reference for the safe use of this equipment. Children should not play with the equipment. Children without ensured supervision should not be allowed to perform the cleaning and maintenance of equipment.
- Additional precautions should be taken when using this device in the presence of children or pets. Do not allow children to play with the device.
- Never use the product close to combustibles.
- Never expose the product to atmospheric conditions such as direct sun light or rain, etc... Never use the product in humid conditions (like bathroom or camping house).
- The power cable should be periodically checked for damage. If the power cable is damaged the product should be taken to a professional service location to be fixed or replaced to prevent any hazards from arising.
- Never use the product with a damaged power cable or if it was dropped or damaged in any other way or if it does not work properly. Do not try to repair the defected product by yourself as it can lead to electric shock. Always return the damaged device to a professional service in order to repair it. All the repairs should only be performed by authorized service professionals. Any attempted unauthorised repairs

performed can be a hazard to the user.

- Only Original accessories should be used, as well as accessories recommended by the manufacturer. Using accessories which are not recommended by the manufacturer may result in damage of the device and may render the device unsafe for use.
- Keep your workplace tidy and well lit.
- Disorder and insufficient lighting lead to accidents.
- Do not use power tools in explosive atmospheres, i.e. in the presence of flammable liquids, gases or dust.
- A moment of carelessness may cause losing control of your tool.
- If it is possible to fit power tools for dust extraction or collection, check that they are fitted and working correctly. Using such power tools reduces the risk posed by the presence of dust.
- Do not lean out too far when working with your power tool. Maintain a stable posture and balance. This allows you to keep better control of your power tool in unforeseen situations.
- Avoid starting the power tool unintentionally. Make sure the power switch is in the OFF position before connecting the power tool to the mains. Carrying a power tool with your finger on its trigger or plugging in a power tool after switching it on can lead to accidents.
- Wear appropriate clothing. Do not work in loose clothing and do not wear jewellery while working. Keep your hair, clothing and gloves away from moving parts. The moving parts of a power tool can catch and pull in loose pieces of clothing, jewellery or long hair.
- Remove any spanners or tools from the power tool before starting it. A tool or spanner still connected to the rotating part of the power tool may cause personal injury.
- Be careful when working with power tools, concentrate on your work and use common sense. Do not use a power tool

when tired or under the influence of drugs, alcohol or medication. Even a moment of carelessness while working with a power tool can lead to a serious accident.

- Keep children away from the work area and DO NOT allow children to pull on the power cord - this can cause serious injury.
- Always place and use the power tool on a stable, level and horizontal surface.
- Before making any adjustments, changing accessories or storing the power tool, move the switch to the off position to disconnect the power tool from the power supply. Such precautions reduce the risk of accidentally starting the power tool.
- Check the grinder housing for damage before each use.
- Ensure that the vents are free from debris.
- The device may only be used in a dry, well-lit environment.
- This tool should not be used by anyone under the age of 16.
- The device is intended for outdoor use only. Do not use for other than its intended purpose.
- The noise level during operation may exceed 85 dB (A); wear hearing protection.

Electric Mixer - safety warnings.

Mixer and mixing paddle are not intended for the preparation of food for human or animals. You can only mix substances and materials used in construction.

- Unit body and used tools used do not meet the hygiene standards required for food processing.
 - b) Do not use this equipment to mix flammable or explosive substances.
- During mixer operation, electrical sparks are created in the drive motor, which can lead to ignition of vapours from mixed substances.
 - c) Before mixing building materials, read their instructions or Material Safety Data Sheet (MSDS).

- Certain types of materials or chemicals pose risks for human health or life and the process of mixing them may require meeting specified conditions.
 - d) When mixing materials outside the tank, keep your both hands on insulated power tool grips.
- There is always a risk that concealed live electrical cables may be encountered during works. Sharp edges of some mixers can easily damage or cut electric wires, which can lead to an electric shock.
 - e) When mixing materials, take care to position the mixer supply line so that it is not close to the rotating working tool (mixing paddle).
- Power cable of your tool must be outside the mixer working area, which may damage or cut it, thus creating a hazard of electric shock.
 - f) The tank in which the materials are mixed must rest on level and flat ground, so that it will not tilt or wobble while mixing.
- Uncontrolled movement of the tank during mixing can lead to dangerous situations.
 - g) Hold your power tool firmly and securely with both hands by the insulated grips, while maintaining a stable position.
 - h) If your power tool becomes very dirty with mixed material, e.g., after falling into the mixing tank, switch off the mixer immediately and disconnect it from the mains.
- Using a power tool into which water or mixture ingredients have entered, can lead to damage to the unit and poses a risk of electric shock.
 - i) When mixing liquids and fluids, take care to ensure that their droplets do not enter your power tool.
- If liquids or fluids enter the power tool, there is a danger of electric shock.
 - j) If your working tool (mixing paddle) becomes blocked during mixing, switch off the mixing machine immediately

While doing so, take caution of the resulting recoil force, which can pull out the equipment from your hands.

- Using faulty working tools, e.g., crooked mixers, or leading to overload the equipment, the operator may create dangerous situations.

(k) This mixer is not designed for fixing on racks, supports, etc.

- Always hold the unit securely with your both hands.

l) Note that changing the speed using the gear selector (gear I or II), must only be carried out with the device switched off.

- Changing the speed while the unit is running can damage the machine.

Specified vibration emission value was measured according to standardised procedures and may vary depending on how the power tool is used. In exceptional cases it may go beyond the specified value.

Prolonged exposure to vibration of the operator's hands may cause injuries like frostbite. This is mainly a prickling or burning sensation in the fingers, as well as excessive paleness of the hands.

These symptoms indicate that the power tool has been used for too long.

To avoid the risk of adverse vibration effects on your hands, observe a few basic rules:

- daily working time with the power tool must include regular breaks, during which it is advisable to carry out other activities,
- perform hand and arm exercises during breaks to improve blood circulation,
- wear protective gloves to further protect against the negative effects of vibration.

If, despite following the above advices, you feel unwell, e.g., notice finger swelling, their excessive pale or loss of sensation, immediately seek medical attention.

In addition, you should:

- avoid adopting an uncomfortable position (e.g., through a misaligned balance point) in which your wrists are unnaturally twisted,
- take regular breaks to counteract the effect of repetitive loading,
- if you feel any symptoms of hand and arm fatigue or pain, consult the doctor.

Recoil phenomenon:

- This is the sudden, uncontrolled, reaction of the machine to a jammed or blocked work tool. A jam or blockage leads to a sudden stop of the rotating tool, resulting in a violent jerking of the machine.
- Recoil is the result of improper or incorrect use of the unit and failure to follow safety procedures given in the operating manual.

How to prevent the recoil effect:

- Hold your tool firmly and securely, while positioning of your hands and body to prevent the recoil effect from occurring, or mitigate it if it does occur,
- Keep your hands away from rotating work tools.

In the event of any malfunction of the unit, stop its operation immediately and disconnected it from the power source.

Then, check the cause of the failure and, if necessary, return the unit to an authorised service centre.

It is forbidden to use faulty working tools, e.g. crooked or damaged mixers, as this can lead to overloading of the machine with consequent dangerous situations. The mixer is not designed to be permanently fixed to any type of stand, support or rack.

Always hold the device with both hands, with a firm grip on the insulated handle.

Changing the speed using the speed switch must only be done with the unit switched off when the engine is not running.


Changing the speed while the unit is running can damage the

unit.

	Before starting up, carefully read the operating manual and all safety instructions.		Wear protective footwear
	The product complies with EC safety standards		Use ear protection
	Do not expose the unit to rain or moisture.		Wear protective gloves
	Dispose of the product in accordance with the WEEE directive		Wear protective clothing
	Wear safety glasses		Wear a protective mask

USE PERSONAL PROTECTIVE EQUIPMENT

- Wear safety glasses according to En166
- Use protective masks in accordance with En149
- Use other precision personal protective equipment, depending on the type of work involved.

 Device is compliant with EU directives:

- Low voltage directive (LVD)
- Electromagnetic compatibility (EMC)

Device marked CE mark on rating label



When this crossed-out wheeled bin symbol is attached to a product it means that the product is covered by the European Directive 2012/19/EU. Please inform yourself about the local separate collection system for electrical and electronic products. Used appliance should be delivered to the dedicated collecting points due to hazardous components, which may affect the environment. Do not dispose this appliance in the common waste bin.

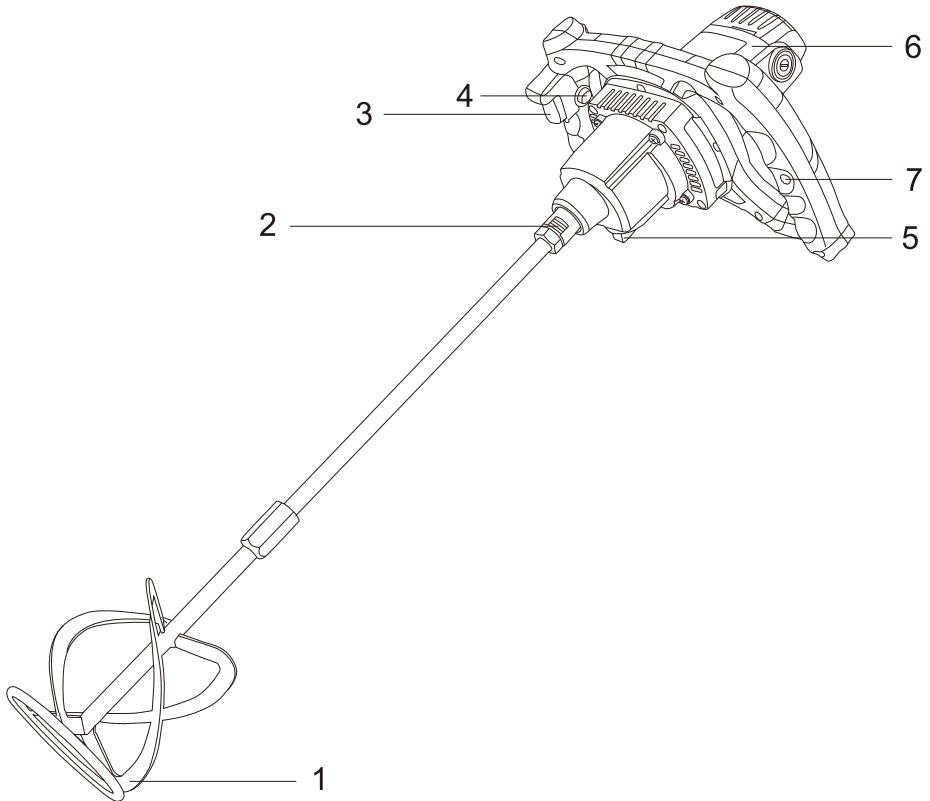
Environmental information All unnecessary packaging has been omitted. We have tried to make the packaging easy to separate into three materials: cardboard (box), polystyrene foam (buffer) and poly ethylene (bags, protective foam sheet). Your system consists of material which can be recycled and reused if disassembled by a specialized company. Please observe the local regulations regarding the disposal of packaging materials, exhausted batteries and old equipment.



Your products is designed a manufactured with high quality materials and components, which can be recycled and reused.

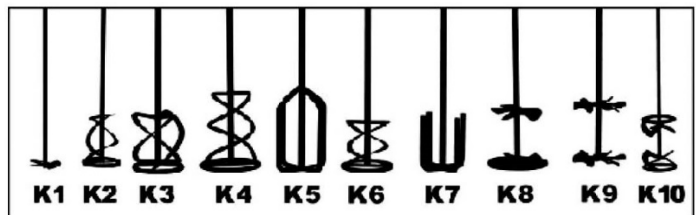
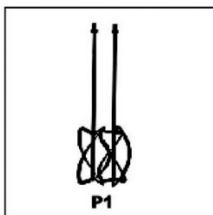
1. Main Parts

- | | |
|---|-----------------------|
| 1. Mixing paddle | 4. Switch lock knob |
| 2. Connection socket for M14 mixing paddles | 5. Gear selector |
| 3. ON/OFF switch | 6. Motor housing |
| | 7. Speed control knob |



2. Mixing Paddle Selection

For the unit with a single mixing tool, we supply K3 mixing paddles in standard. You can mount other mixing paddles with M14 threaded connection (K1-k10, etc.).



3. Cleaning and Maintenance

Proper maintenance of the machine can prolong its life; The handle switch must always function properly and must be well maintained; Mixing tools should be cleaned after pouring or not being used for a long time; Usually running water or quartz sand can clean the mixing tools well.

The mixing shaft must always be protected from contamination.

Always place a protective cap over the opening of the hexagonal socket.

Ventilation of the motor housing must not be covered when the machine is running, and there must be no flammable materials in the machine.

Clean the vent frequently.



Picture.1



Picture.2

Carbon brush must be checked and maintained when the machine has been in operation for up to 60 hours, the brush must be replaced in time if worn.

(Pic.1) First disconnect the power supply, dismount the motor housing.

(Pic.2) Remove the plate and replace the carbon brush.

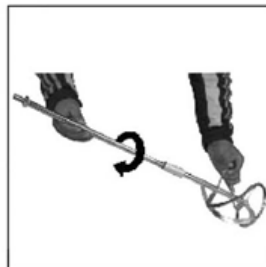
4. Mounting and Operation

The unit must be fitted with mixing paddles with M14 male threaded connection. Mount the mixing paddle in the machine as follows:

1. Disconnect the plug from the mains socket if plugged.
2. Turn the unit so that there is free access to the spindle.
3. Insert the end of the mixing paddle - threaded one - into the spindle hole, then tighten.
4. Holding the spindle with the appropriate spanner, included, securely tighten the mixing paddle.



Picture.1



Picture.2



Picture.3



Picture.4



Picture.5

SPEED CONTROL

Use the knob (Fig. 7) on the inside of the left grip to change the machine speed.

GEAR CHANGE

Use the knob (Fig.6) to change the torque.

When changing the speed range, please note that this operation can only be carried out with the unit switched off. Otherwise, the gears may be damaged - if you feel resistance when changing the gear, turn the spindle slightly so that the gears can mesh.



(Picture 6)



(Picture 7)

SWITCHING ON/OFF

ON/OFF switch (3) of the machine is located on the right grip and is designed to prevent accidental actuation.

To start your power tool, press the lock (4) and then the switch (3). The machine will switch off when the ON/OFF button (6) is released.

Do not press the switch (6) without first releasing (depressing) the lock (5), as this may damage the unit.

Specifications:

Model	Em5010
Rated voltage	230 V~50 Hz
Rated power	1400 W
Rated no-load speed	0-600 rpm 0-900 rpm
Mixing diameter	120 mm
Sound pressure level	LpA =92.0dB(A)
Sound power level	LWA =103.0dB(A)
Uncertainty K	K =3dB(A)
Maximum vibration	3.157m/s ²
Uncertainty K	K =1.5m/s ²

WAŻNE INFORMACJE

Aby osiągnąć najwyższą satysfakcję, cieszyć się wydajnością produktu i poznać jego wszystkie cechy i funkcje, prosimy o przeczytanie niniejszej instrukcji przed przystąpieniem do korzystania z tego produktu.

Przed rozpoczęciem użytkowania urządzenia przeczytać instrukcję obsługi i postępować według wskazówek w niej zawartych. Producent nie odpowiada za szkody spowodowane użytkowaniem urządzenia niezgodnie z jego przeznaczeniem lub niewłaściwą jego obsługą.

Instrukcję obsługi należy zachować, aby można było korzystać z niej również w trakcie późniejszego użytkowania wyrobu.

- Urządzenie należy podłączyć wyłącznie do gniazdka z uziemieniem o charakterystyce zgodnej z wartościami na tabliczce znamionowej.
- Należy sprawdzić, czy całkowity pobór prądu wszystkich urządzeń podłączonych do gniazdka ściennego nie przekracza maksymalnego obciążenia bezpiecznika.
- Jeżeli wykorzystywany jest przedłużacz, należy sprawdzić, czy łączny pobór mocy sprzętu podłączonego do przedłużacza, nie przekracza parametrów obciążenia przedłużacza. Przewód przedłużacza należy ułożyć w taki sposób by uniknąć przypadkowych pociągnięć i potknięcia się o niego. Upewnij się, że przedłużacz jest z uziemieniem, 3-żyłowy z gniazdkiem z bolcem uziemiającym.
- Urządzenie nie jest przeznaczone do sterowania za pomocą zewnętrznego wyłącznika czasowego, osobnego pilota lub innego sprzętu, który może włączać urządzenie automatycznie.
- Przed pracami konserwacyjnymi należy zawsze bezwzględnie odłączyć urządzenie od zasilania. Odłączając kabel zasilający należy zawsze wyciągać go z gniazdka trzymając za wtyczkę. Nigdy nie należy wyciągać przewodu zasilającego ciągnąc za kabel, ponieważ uszkodzeniu może ulec wtyczka lub kabel, w skrajnym wypadku może dojść

- nawet do śmiertelnego porażenia prądem.
- Nie wolno pozostawiać włączonego urządzenia do gniazdka bez nadzoru.
 - Nie zanurzaj urządzenia w wodzie lub żadnym innym płynie.
 - Urządzenie powinno być regularnie czyszczone według zaleceń opisanych w części o Czyszczeniu i konserwacji urządzenia.
 - Nie umieszczaj urządzenia blisko źródeł ciepła, płomieni, elektrycznego elementu grzewczego lub na gorącym piekarniku. Nie umieszczaj na żadnym innym urządzeniu.
 - Należy zachować szczególną ostrożność podczas korzystania z urządzenia, gdy w pobliżu przebywają dzieci lub zwierzęta domowe.
 - Nie należy dopuszczać dzieci do zabawy urządzeniem.
 - Nie korzystać z urządzenia w pobliżu materiałów łatwopalnych.
 - Nie wystawiaj urządzenia na działanie warunków atmosferycznych (deszczu, słońca, etc.) ani nie używaj w warunkach podwyższonej wilgotności (łazienki, wilgotne domki kempingowe).
 - Okresowo sprawdzaj stan przewodu zasilającego. Jeżeli przewód zasilający nieodłączalny ulegnie uszkodzeniu, to powinien on być wymieniony u wytwórcy lub w specjalistycznym zakładzie naprawczym albo przez wykwalifikowaną osobę w celu uniknięcia zagrożenia.
 - Nie używaj urządzenia z uszkodzonym przewodem zasilającym, wtyczką lub jeśli zostało upuszczone lub uszkodzone w jakikolwiek inny sposób lub nieprawidłowo pracuje. Nie naprawiaj urządzenia samodzielnie, gdyż grozi to porażeniem. Uszkodzone urządzenie oddaj do właściwego punktu serwisowego w celu sprawdzenia lub dokonania naprawy. Wszelkich napraw mogą dokonywać wyłącznie uprawnione punkty serwisowe. Nieprawidłowo wykonana naprawa może spowodować poważne zagrożenie dla użytkownika.

- Używaj tylko oryginalnych akcesoriów oraz części zamiennych do urządzenia lub rekomendowanych przez producenta. Używanie akcesoriów lub części nierekomendowanych przez producenta może doprowadzić do uszkodzenia urządzenia oraz zagrozić bezpieczeństwu użytkownika.
- Dbaj o porządek i dobre oświetlenie w miejscu pracy.
- Nieporządek i niewystarczające oświetlenie prowadzą do wypadków.
- Nie używaj elektronarzędzi w przestrzeniach zagrożonych wybuchem, tj. w obecności łatwopalnych cieczy, gazów lub pyłów.
- Chwila nieuwagi grozi utratą panowania nad narzędziem.
- Jeżeli istnieje możliwość zamontowania elektronarzędzi do odprowadzania lub zbierania pyłu, sprawdź, czy zostały one zamocowane i działają prawidłowo. Używanie takich elektronarzędzi zmniejsza zagrożenie stwarzane przez obecność kurzu.
- Nie wychylaj się z elektronarzędziem zbyt daleko. Utrzymuj stabilną postawę i równowagę. Dzięki temu zachowasz lepszą kontrolę nad elektronarzędziem w nieprzewidzianych sytuacjach.
- Unikaj niezamierzonego uruchomienia elektronarzędzia. Przed podłączeniem elektronarzędzia do sieci elektrycznej sprawdź, czy wyłącznik zasilania znajduje się w położeniu wyłączonym (OFF). Przenoszenie elektronarzędzia z palcem na spuście lub podłączanie elektronarzędzia do sieci już po włączeniu może prowadzić do wypadków.
- Zakładaj odpowiednią odzież. Nie pracuj w luźnym ubraniu i nie noś biżuterii podczas pracy. Włosy, odzież i rękawice trzymać z dala od ruchomych części. Ruchome części elektronarzędzia mogą pochwycić i wciągnąć luźne części odzieży, biżuterię lub długie włosy.
- Przed uruchomieniem elektronarzędzia wyjmij z niego wszystkie klucze lub narzędzia. Narzędzie lub klucz nadal

- połączony z częścią obrotową elektronarzędzia może spowodować obrażenia ciała.
- Podczas pracy z elektronarzędziami zachowuj ostrożność, skoncentruj się na pracy i stosuj zdrowy rozsądek. Nie używaj elektronarzędzia w razie zmęczenia lub pod wpływem środków odurzających, alkoholu lub leków. Nawet chwila nieuwagi podczas pracy z elektronarzędziem grozi poważnym wypadkiem.
 - Trzymaj dzieci z dala od miejsca wykonywania pracy i NIE pozwalaj dzieciom na pociąganie za kabel zasilający – może to spowodować poważne obrażenia.
 - Zawsze umieszczaj i używaj elektronarzędzia na stabilnej, równej i poziomej powierzchni.
 - Przed dokonaniem jakichkolwiek regulacji, wymianą akcesoriów lub odstawieniem elektronarzędzia do przechowania przestaw wyłącznik do położenia wyłączenia, aby odłączyć elektronarzędzie od zasilania. Takie działania zapobiegawcze zmniejszają ryzyko przypadkowego uruchomienia elektronarzędzia.
 - Przed każdym użyciem sprawdź obudowę pod kątem uszkodzeń.
 - Upewnij się, że otwory wentylacyjne są wolne od osadów.
 - Z tego narzędzia nie powinny korzystać osoby poniżej 16 roku życia.
 - Nawet jeśli urządzenie jest używane zgodnie z zaleceniami, pewne ryzyko resztkowe pozostaje. Podczas użytkowania sprzętu mogą wystąpić następujące zagrożenia:
 - Hałas może spowodować uszkodzenie słuchu. Nosić ochraniacze słuchu aby ograniczyć ryzyko.

Mieszadło – ostrzeżenia dotyczące bezpieczeństwa.

Mieszarka i mieszadło nie są przeznaczone do przygotowywania żywności dla ludzi lub zwierząt. Mieszać możemy wyłącznie substancje i materiały używane w budownictwie.

- Korpus urządzenia, jak również stosowane narzędzia, nie spełniają standardów higienicznych wymaganych przy obróbce żywności.
 - b) Nie wolno używać urządzenia do mieszania substancji łatwopalnych lub wybuchowych.
- Podczas pracy mieszarki, w silniku napędowym tworzą się iskry elektryczne, które mogą doprowadzić do zapalenia się oparów mieszanych substancji.
 - c) Przed rozpoczęciem mieszania materiałów budowlanych, należy zapoznać się z ich instrukcją obsługi lub kartą charakterystyki (MSDS).
- Niektóre rodzaje materiałów lub substancji chemicznych stwarzają zagrożenie dla zdrowia lub życia ludzkiego i proces ich mieszania może być obwarowany spełnieniem określonych warunków.
 - d) Podczas mieszania materiałów poza zbiornikiem, należy obie ręce trzymać za izolowane uchwyty elektronarzędzia.
- Zawsze istnieje ryzyko, że podczas prac można natrafić na ukryte przewody elektryczne będące pod napięciem. Ostre krawędzie niektórych mieszadeł mogą z łatwością uszkodzić lub przeciąć przewód elektryczny, co może doprowadzić do porażenia prądem elektrycznym.
 - e) Podczas mieszania materiałów należy zwracać uwagę na położenie przewodu zasilającego mieszarki, aby nie znajdował się w pobliżu obracającego się narzędzia roboczego (mieszadła).
- Przewód zasilający elektronarzędzie musi znajdować się poza obszarem roboczym mieszadła, które może go uszkodzić lub przeciąć, stwarzając tym samym niebezpieczeństwo porażenia prądem elektrycznym.
 - f) Zbiornik, w którym miesza się materiały, powinien stać na równym i prostym podłożu tak,

- aby podczas mieszania nie przechylał się i nie chybował.
- Niekontrolowane poruszanie się zbiornika podczas mieszania, może doprowadzić do sytuacji niebezpiecznych.
 - g) Elektronarzędzie należy trzymać mocno i pewnie, oburącz, za izolowane uchwyty, utrzymując przy tym stabilną pozycję.
 - h) Jeżeli elektronarzędzie zostanie bardzo mocno zabrudzone mieszanym materiałem, np. po wpadnięciu do zbiornika z mieszanką, należy natychmiast wyłączyć mieszarkę oraz odłączyć ją od sieci elektrycznej.
 - Używanie elektronarzędzia, do środka którego dostała się woda lub składniki mieszanki, może doprowadzić do zniszczenia urządzenia, a także stwarza niebezpieczeństwo porażenia prądem elektrycznym.
 - i) Podczas mieszania cieczy i płynów, należy zwracać uwagę, aby ich krople nie przedostały się do wnętrza elektronarzędzia.
 - Przedostanie się do wnętrza elektronarzędzia cieczy lub płynów stwarza niebezpieczeństwo porażenia prądem elektrycznym.
 - j) Jeżeli podczas mieszania narzędzie robocze (mieszadło) zablokuje się, należy natychmiast wyłączyć mieszarkę. Uważać przy tym należy na powstającą siłę odrzutu, która może doprowadzić do wyrwania urządzenia z rąk operatora.
 - Używając niesprawnych narzędzi roboczych, np. krzywych mieszadeł, lub doprowadzając do przeciążenia urządzenia, operator może doprowadzić do powstania sytuacji niebezpiecznych.
 - k) Mieszalnik nie jest przystosowany konstrukcyjnie do mocowania na stojakach, podporach itp.
 - Urządzenie należy zawsze trzymać w rękach, oburącz, pewnym chwytem.
 - l) Należy pamiętać, że zmiana prędkości obrotowej za

pomocą przełącznika prędkości (I lub II bieg), może być dokonywana wyłącznie przy wyłączonym urządzeniu.

- Zmiana prędkości obrotowej podczas pracy urządzenia może doprowadzić do jego uszkodzenia.

Podana wartość emisji drgań została zmierzona według znormalizowanych procedur i może się zmieniać w zależności od sposobu używania elektronarzędzia. W wyjątkowych przypadkach może wykroczać ponad podaną wartość.

Długotrwałe oddziaływanie drgań na dłonie operatora może spowodować powstanie obrażeń podobnych do odmrożenia. Jest to przede wszystkim klucie lub palenie w palcach, a także nadmierna bladeść dłoni.

Objawy te świadczą o zbyt długim używaniu elektronarzędzia.

Aby uniknąć ryzyka związanego z niekorzystnym oddziaływaniem wibracji na dłonie operatora należy przestrzegać kilku podstawowych zasad:

- dzienny czas pracy elektronarzędziem powinien składać się z regularnych przerw, podczas których zaleca się wykonywanie innych czynności,
 - podczas przerw wykonywać ćwiczenia dłoni i ramion, w celu poprawy krążenia,
 - ubierać rękawice ochronne, które dodatkowo zabezpieczają przed negatywnymi skutkami wibracji,
- Jeżeli mimo stosowania się do powyższych zaleceń, operator źle się poczuje, np. stwierdzi opuchliznę palców, ich nadmierną bladeść lub nastąpi utrata czucia, należy natychmiast skontaktować się z lekarzem.

Ponadto należy:

- unikać przyjmowania niewygodnej pozycji (np. przez źle ustawiony punkt równowagi), w której nadgarstki są nienaturalnie wykręcone,
- stosować regularne przerwy, w celu zniwelowania efektu powtarzalnego obciążenia,

- w przypadku jakichkolwiek objawów zmęczenia dłoni i rąk, odczuwanego bólu, skonsultować się z lekarzem.
Zjawisko odrzutu:
 - Jest to nagła, niekontrolowana, reakcja urządzenia na zakleszczenie lub zablokowanie narzędzia roboczego. Zakleszczenie lub zablokowanie prowadzi do nagłego zatrzymania obracającego się narzędzia, co prowadzi do gwałtownego szarpnięcia urządzenia.
 - Zjawisko odrzutu jest wynikiem niewłaściwego lub błędnego użytkowania urządzenia i nieprzestrzeganiem procedur bezpieczeństwa zamieszczonych w instrukcji obsługi urządzenia.

Metody zapobiegania zjawisku odrzutu:

- Urządzenie należy trzymać mocno i pewnie, zaś ułożenie rąk i ciała powinno uniemożliwić powstanie zjawiska odrzutu, lub też złagodzić to zjawisko w przypadku jego powstania,
- Należy trzymać ręce z dala od obracających się narzędzi roboczych.

W przypadku awarii urządzenia należy natychmiast przerwać pracę i odłączyć urządzenie od źródła zasilania. Następnie sprawdzić przyczynę awarii i w razie konieczności oddać urządzenie do autoryzowanego serwisu.

Zabrania się używać niesprawnych narzędzi roboczych, np. krzywych lub uszkodzonych mieszadeł, gdyż może to doprowadzić do przeciążenia urządzenia w konsekwencji do powstania sytuacji niebezpiecznych. Mieszalnik nie jest przystosowany konstrukcyjnie do mocowania na stałe na różnego rodzaju stojakach, podporach czy stelażach. Urządzenie należy zawsze trzymać oburącz, pewnym chwytem za izolowaną rękojeść.

Zmiana prędkości obrotowej za pomocą przełącznika prędkości może być dokonywana wyłącznie przy wyłączonym urządzeniu, kiedy silnik nie pracuje.


Zmiana prędkości obrotowej w trakcie pracy urządzenia

może doprowadzić do jego uszkodzenia.

	Przed uruchomieniem należy dokładnie przeczytać instrukcję obsługi i wszystkie zasady bezpieczeństwa.		Zakładaj obuwie ochronne
	Produkt spełnia wymagania norm bezpieczeństwa WE		Stosuj ochronę uszu
	Nie wystawiać urządzenia na działanie deszczu lub wilgoci		Zakładaj rękawice ochronne
	Utylizuj produkt zgodnie z przepisami dyrektywy WEEE		Zakładaj odzież ochronną
	Zakładaj okulary ochronne		Zakładaj maskę ochronną

STOSOWAĆ ŚRODKI OCHRONY OSOBISTEJ

- Stosuj okulary ochronne zgodnie z normą En166
- Stosuj maski ochronne zgodnie z normą En149
- Stosuj inne precyzyjne środki ochrony indywidualnej, w zależności od rodzaju wykonywanej pracy.

 Urządzenie jest zgodne z wymogami dyrektyw Unii Europejskiej:

- Urządzenia elektryczne niskonapięciowe - Low voltage directive (LVD)
 - Kompatybilność elektromagnetyczna - Electromagnetic compatibility (EMC)
- Wyrób oznaczony CE na tabliczce znamionowej



Jeśli na urządzeniu znajduje się znak przekreślonego kosza na śmieci, oznacza to, że produkt jest objęty postanowieniami dyrektywy europejskiej 2012/19/EU. Należy zapoznać

się z wymaganiami dotyczącymi lokalnego systemu zbiórki odpadów elektrycznych i elektronicznych. Należy postępować zgodnie z lokalnymi przepisami. Nie wolno wyrzucać tego produktu razem ze zwykłymi odpadami domowymi. Prawidłowe usunięcie starego produktu zapobiegnie potencjalnym negatywnym skutkom dla środowiska naturalnego i zdrowia ludzkiego. Szczegółowe informacje o najbliższym punkcie zbiórki można uzyskać bezpośrednio od sprzedawcy lub w firmie Blaupunkt Competence Center, 2N-Everpol Sp. z o.o., ul. Puławska 403A, 02-801 Warszawa, tel. +48 22 331 9959, email: info@blaupunkt-audio.pl

Informacje o ochronie środowiska naturalnego Opakowanie zawiera tylko niezbędne elementy. Dołożono wszelkich starań, aby trzy materiały składowe opakowania były łatwe

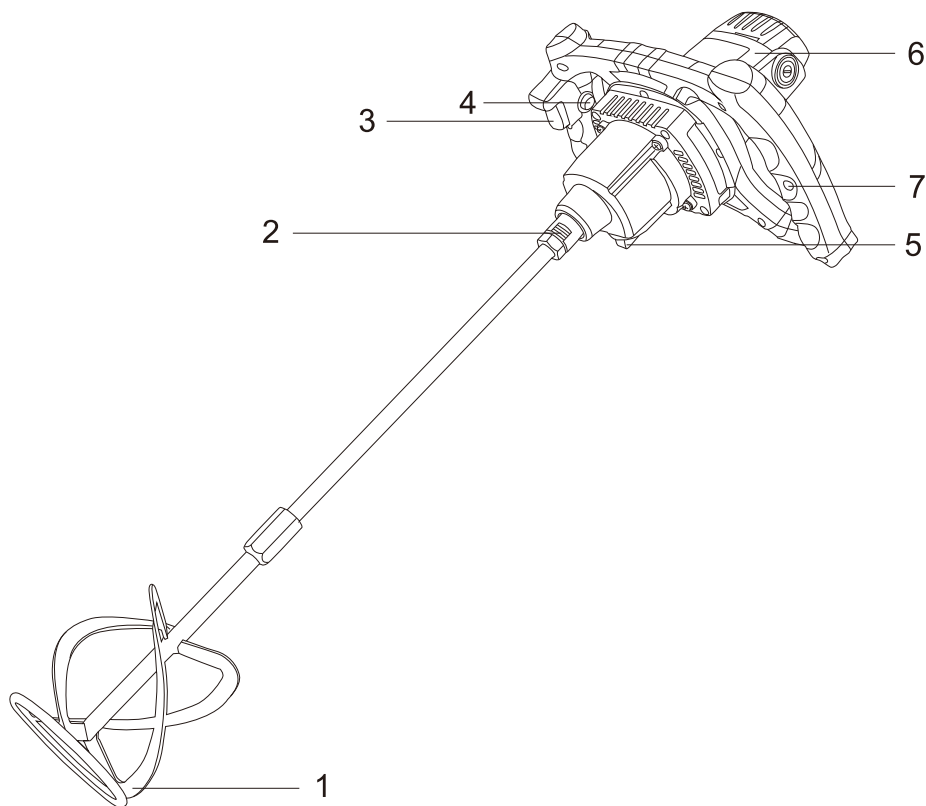
do oddzielenia: karton (pudełko), pianka polistyrenowa (zabezpieczenia wewnątrz) i polietylen (torebki, arkusz ochronny). Urządzenie wyprodukowano z materiałów, które można poddać recyklingowi i użyć ponownie po ich demontażu przez wyspecjalizowaną firmę. Należy przestrzegać lokalnych przepisów dotyczących utylizacji materiałów opakowaniowych, zużytych baterii i niepotrzebnych urządzeń.



Produkt został wyprodukowany z wysokiej jakości materiałów i podzespołów, które można poddać recyklingowi i ponownie użyć.

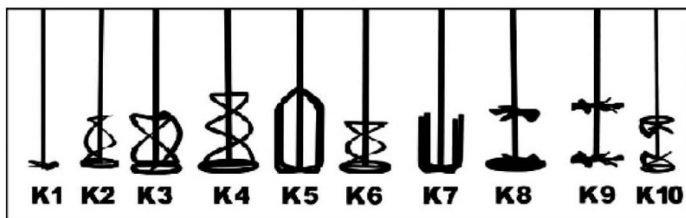
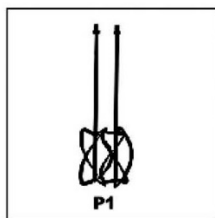
1. Budowa urządzenia

- | | |
|--|--------------------------------|
| 1. Mieszadło | 4. Pokrętło blokady wyłącznika |
| 2. Gniazdo przyłączeniowe do mieszadła M14 | 5. Przełącznik zmiany biegu |
| 3. Włacznik | 6. Obudowa silnika |
| | 7. Pokrętło regulacji obrotów |



2. Wybór mieszadła

Do mieszadła z pojedynczym narzędziem mieszającym dostarczamy mieszadła K3 jako standardowe wyposażenie. Istnieje możliwość montażu innych mieszadeł wykorzystujących połączenie śrubowe M14 (K1-k10 itp.).



3. Czyszczenie i konserwacja urządzenia

Prawidłowa konserwacja maszyny może przedłużyć jej żywotność; Przełącznik uchwytu musi zawsze funkcjonować prawidłowo i musi być dobrze utrzymany; Narzędzia mieszające powinny być czyszczone po zakończeniu zalewania lub nieużywaniu przez dłuższy czas; Zwykle bieżąca woda lub piasek kwarcowy mogą dobrze wyczyścić narzędzia do mieszania.

Wał mieszający musi być zawsze zabezpieczony przed zanieczyszczeniami;

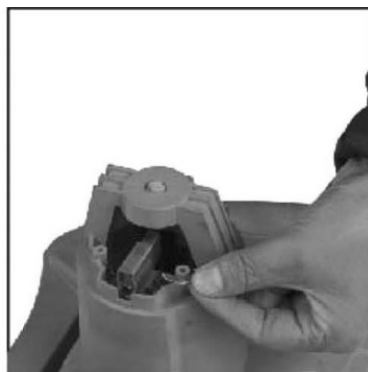
na otwór sześciokątnego gniazda należy zawsze założyć osłonę zabezpieczającą;

Wentylacja obudowy silnika nie może być zakryta podczas pracy maszyny, w maszynie nie mogą znajdować się żadne materiały łatwopalne;

Odpowietrznik musi być często czyszczony;



Picture.1



Picture.2

Szczotka węglowa musi być sprawdzana i konserwowana, gdy maszyna pracuje do 60 godzin, należy wymienić szczotkę na czas, jeśli okaże się, że szczotka jest zużyta.

(Rys.1) Najpierw odłącz zasilanie, zdejmij obudowę silnika.

(Rys.2) Wyciągnij płytkę i wymień szczotkę węglową.

4. Montaż i obsługa

W urządzeniu należy stosować mieszadła, które wyposażone są w końcówkę przyłączeniową z gwintem zewnętrznym M14. Montaż mieszadła w urządzeniu wykonuje się w następujących krokach:

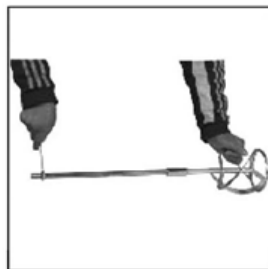
1. Wyciągnij wtyczkę z gniazda elektrycznego, jeżeli była podłączona.
2. Obróć urządzenie tak, aby zapewniony był swobodny dostęp do wrzeciona.
3. Włóż końcówkę mieszalnika – tą gwintowaną- w otwór wrzeciona, a następnie dokręć.
4. Przytrzymując wrzeciono odpowiednim kluczem dołączonym do zestawu dokręć mocno mieszalnik.



Picture.1



Picture.2



Picture.3



Picture.4



Picture.5

REGULACJA OBROTÓW

Do zmiany prędkości obrotowej służy pokrętko (Rys. 7), znajdujące się po wewnętrznej stronie lewego uchwytu.

ZMIANA BIEGU

Do zmiany momentu obrotowego służy pokrętko (Rys.6).

Przy zmianie zakresu prędkości obrotowej należy pamiętać, że czynność ta może być przeprowadzona tylko przy wyłączonym urządzeniu. W innym przypadku może dojść do uszkodzenia przekładni - w przypadku oporu przez zmianie biegu, należy lekko przekręcić wrzecionem, tak aby zębatki zdołały się zążyć.



(Picture 6)



(Picture 7)

WŁĄCZANIE/WYŁĄCZANIE

Włącznik / wyłącznik (3) maszyny znajduje się na prawym uchwycie i jest on stworzony w taki sposób, aby uniemożliwić przypadkowe uruchomienie.

Aby uruchomić elektronarzędzie należy nacisnąć blokadę (4), a następnie włącznik (3). Wyłączenie urządzenia następuje z chwilą zwolnienia przycisku włącznika (6).

Nie wolno wciskać włącznika (6), bez wcześniejszego zwolnienia (wciśnięcia) blokady (5), ponieważ może to uszkodzić urządzenie.

Specyfikacja techniczna:

Model	Em5010
Napięcie znamionowe	230 V~50 Hz
Moc znamionowa	1400 W
Znamionowa prędkość bez obciążenia	0-600/min 0-900/min
Średnica mieszania	120 mm
Poziom ciśnienia akustycznego	LpA =92.0dB(A)
Poziom mocy akustycznej	LWA =103.0dB(A)
Niepewność K	K =3dB(A)
Maksymalna wartość wibracji	3.157m/s ²
Niepewność K	K =1.5m/s ²

DŮLEŽITÁ INFORMACE

Chcete-li dosáhnout nejvyšší spokojenosti, užít si výkon produktu a naučit se všechny jeho vlastnosti a funkce, přečtěte si před použitím tohoto produktu tento návod.

Před použitím zařízení si přečtěte návod k obsluze a dodržujte pokyny v něm uvedené. Výrobce neručí za škody způsobené používáním zařízení v rozporu s jeho určením nebo nesprávnou obsluhou.

Návod k obsluze uschovejte tak, aby jej bylo možné použít i při pozdějším použití produktu.

- Zařízení je určeno výhradně k domácímu použití. Nepoužívejte je k jiným účelům, než pro které je určeno.
- Zařízení připojujte výhradně do zásuvky, která splňuje parametry uvedené na popisném štítku.
- Ujistěte se, že celkový odběr proudu všech zařízení připojených do nástěnné zásuvky nepřekračuje maximální zatížení pojistek.
- Jestliže používáte prodlužovací kabel, zkontrolujte, zda celkový příkon spotřebiče připojeného k prodlužovacímu kabelu nepřekračuje parametry zatížení prodlužovacího kabelu. Prodlužovací kabel uložte tak, abyste předešli nežádoucím zachycením a zakopnutí.
- Napájecí kabel zařízení nesmí nikdy viset dolů přes hranu stolu či police, nesmí přicházet do kontaktu s horkým povrchem.
- K ovládání zařízení nesmí být používán vnější časový spínač, samostatný dálkový ovladač nebo jiný přístroj, který může zařízení automaticky zapnout.
- Než přistoupíte k údržbovým činnostem, vždy vypněte napájení přístroje.
- Napájecí kabel odpojte tak, že jej uchopíte za vidlici a vytáhnete ze zásuvky. Nikdy
- kabel neodpojujte tahem za samotný kabel, mohlo by dojít k poškození vidlice
- nebo kabelu, v krajním případě může dojít až ke smrtelnému úrazu elektrickým proudem.
- Neopouštějte zařízení zapojené do zásuvky bez dozoru.

- Je zakázáno ponořovat zařízení do vody nebo do jiné tekutiny.
- Zařízení je nutné pravidelně čistit podle doporučení uvedených v oddíle o Čištění a údržbě zařízení.
- Zařízení neumísťujte v blízkosti zdrojů tepla, ohně, elektrického topného přístroje nebo na horké troubě. Nepokládejte je na jiný přístroj.
- Tento spotřebič mohou používat děti starší 8 let a osoby se sníženými fyzickými, smyslovými či mentálními schopnostmi či s nedostatečnými zkušenostmi či znalostmi pouze pod dohledem nebo po poučení o bezpečném používání spotřebiče, a pokud si jsou vědomy příslušných rizik. Děti si se spotřebičem nesmějí hrát. Čištění a údržbu prováděnou uživatelem nesmějí provádět děti bez dozoru.
- Jestliže se v blízkosti zapnutého spotřebiče pohybují děti či domácí zvířata, dbejte zvýšené opatrnosti. Nedovolte dětem, aby si se spotřebičem hrály.
- Nepoužívejte zařízení v blízkosti snadno zápalných látek.
- Spotřebič nevystavujte působení atmosférických vlivů (deště, slunce atd.) a nepoužívejte jej v podmínkách zvýšené vlhkosti (koupelny, vlhké kempové chatky).
- Pravidelně kontrolujte stav napájecího kabelu. Jestliže dojde k poškození neodpojitelného napájecího kabelu, je nutné jej v zájmu prevence rizika vyměnit u výrobce, ve specializovaném servisu nebo zajistit provedení výměny kvalifikovanou osobou.
- Nepoužívejte zařízení s poškozeným napájecím kabelem či vidlicí, jestliže zařízení spadlo nebo bylo jakkoliv jinak poškozeno či nefunguje správně. Nikdy neprovádějte opravy přístroje, hrozí nebezpečí úrazu. Poškozené zařízení odevzdejte do příslušného servisu, který provede kontrolu či opravu. Jakékoliv opravy mohou provádět pouze autorizované servisní podniky. Nesprávně provedená oprava může vést k vážnému ohrožení uživatele.
- Používejte pouze originální příslušenství nebo příslušenství doporučená výrobcem. Používání příslušenství

nedoporučených výrobcem může vést k poškození zařízení a ohrozit bezpečnost uživatele.

- Udržujte své pracoviště uklizené a dobře osvětlené.
- Nepořádek a nedostatečné osvětlení vedou k nehodám.
- Elektrické nářadí nepoužívejte v prostředí s nebezpečím výbuchu, tzn. v přítomnosti hořlavých kapalin, plynů nebo prachu.
- Chvilka nepozornosti může vést ke ztrátě kontroly nad nářadím.
- Pokud jsou k dispozici elektrická nářadí pro odsávání nebo sběr prachu, zkontrolujte, zda jsou připojeny a správně fungují. Použití takového elektrického nářadí snižuje riziko přítomnosti prachu.
- Nenaklánějte se s elektrickým nářadím příliš daleko. Udržujte stabilní polohu těla a rovnováhu. Díky tomu si zachováte lepší kontrolu nad elektrickým nářadím v nepředvídaných situacích.
- Vyhněte se nechtěnému spuštění elektrického nářadí. Před připojením elektrického nářadí k elektrické síti zkontrolujte, zda se vypínač nachází ve vypnuté poloze (OFF). Přenášení elektrického nářadí s prstem na spoušti nebo připojování elektrického proudu k síti po jeho zapnutí může vést k nehodě.
- Noste vhodné oblečení. Nepracujte ve volném oblečení a při práci nenoste šperky. Udržujte své vlasy, oděv a rukavice mimo pohyblivé části. Pohyblivé části elektrického nářadí mohou zachytit a vtáhnout volný oděv, šperky nebo dlouhé vlasy.
- Před spuštěním elektrického nářadí z něj odstraňte všechny klíče nebo nástroje. Nástroj nebo klíč, který je stále připojen k rotující části elektrického nářadí, může způsobit zranění.
- Při práci s elektrickým nářadím buďte opatrní, soustřeďte se na práci a používejte zdravý rozum. Nepoužívejte elektrické nářadí, jste-li unavení nebo pod vlivem drog, alkoholu nebo léků. Chvilka nepozornosti při práci s elektrickým nářadím může vést k vážné nehodě.

- Udržujte děti mimo pracovní oblast a NEDOVOLTE dětem, aby tahaly za napájecí kabel - mohlo by to způsobit vážné zranění.
- Elektrické nářadí vždy umístěte a používejte na stabilním, rovném a vodorovném povrchu.
- Před prováděním jakýchkoli úprav, výměnou příslušenství nebo před odložením elektrického nářadí otočte hlavní vypínač do polohy vypnuto, abyste nářadí odpojili od zdroje napájení. Taková preventivní opatření snižují riziko náhodného spuštění elektrického nářadí.
- Před každým použitím zkontrolujte kryt, zda není poškozený.
- Ujistěte se, že jsou ventilační otvory bez nečistot.
- Zařízení lze používat pouze v suchém, dobře osvětleném prostředí.
- Toto nářadí by neměly používat osoby mladší 16 let.
- Zařízení je určeno pouze pro venkovní použití. Nepoužívejte pro jiné účely, které nejsou v souladu s jeho zamýšleným použitím.
- Hladina hluku během provozu může překročit 85 dB (A); používejte chrániče sluchu.

Míchačka – bezpečnostní upozornění.

Mixér a míchadlo nejsou určeny k přípravě potravin pro lidi ani k přípravě pokrmů pro lidi nebo zvířata. Smíchat lze pouze látky a materiály používané ve stavebnictví.

- Těleso jednotky ani používané nástroje nesplňují hygienické normy požadované pro zpracování potravin.
 - b) Jednotka se nesmí používat k míchání hořlavých nebo výbušných látek.
- Během provozu míchačky vznikají v hnacím motoru elektrické jiskry, které mohou způsobit vést ke vznícení par smíšených látek.
 - c) Před mícháním stavebních materiálů si přečtěte jejich návod nebo bezpečnostní list (MSDS).
- Některé typy materiálů nebo chemikálií představují zdravotní

rizika.

nebo lidský život a proces jejich míchání může být podmíněn splněním určitých podmínek.

d) Při míchání materiálů mimo nádrž je třeba držet oběma rukama izolované rukojeti elektrického náradí.

- Vždy existuje riziko, že během prací narazíte na skryté elektrické kabely pod napětím. Ostré hrany některých míchadel mohou snadno poškodit nebo poškodit

elektrický kabel, což může vést k úrazu elektrickým proudem.

e) Při míchání materiálů je třeba dbát na polohu přívodního potrubí míchačky, aby se nenacházelo v blízkosti rotujícího pracovního nástroje (míchače).

- Napájecí kabel elektrického náradí musí být mimo pracovní prostor míchadla, protože by mohlo dojít k jeho poškození nebo přeríznutí, a tím k nebezpečí úrazu elektrickým proudem.

f) Nádrž, ve které se materiály míchají, by měla stát na rovném a přímém podkladu, aby se během míchání nenakláněla ani nekývala.

- Nekontrolovaný pohyb nádrže během míchání může vést k nebezpečným situacím.

g) Držte elektrické náradí pevně a bezpečně oběma rukama za izolované rukojeti a udržujte stabilní polohu.

h) Pokud dojde k velkému znečištění elektrického náradí míchaným materiálem, např.

po pádu do míchací nádrže, okamžitě vypněte míchačku a odpojte ji od elektrické sítě.

- Používání elektrického náradí, do kterého se dostala voda nebo složky směsi, může náradí poškodit a hrozí také nebezpečí úrazu elektrickým proudem.

i) Při míchání kapalin a tekutin je třeba dbát na to, aby se jejich kapky nedostaly do elektrického náradí.

- Pokud se do elektrického náradí dostanou kapaliny nebo tekutiny, hrozí nebezpečí úrazu elektrickým proudem.
- j) Pokud dojde během míchání k zablokování pracovního nástroje (míchadla), míchačku okamžitě vypněte. Přitom je třeba dbát na výslednou sílu zpětného rázu, která může vést k vytržení přístroje z rukou obsluhy.
- Používáním vadných pracovních nástrojů, např. křivých míchadel, nebo přetěžováním zařízení může obsluha vytvořit nebezpečné situace.
 - k) míchačka není konstrukčně vhodná k upevnění na stojany, podpěry atd.
- Příklad vždy držte v rukou oběma rukama a pevně jej uchopte.
 - l) Upozorňujeme, že změnu rychlosti pomocí přepínače rychlosti (1. nebo 2. Rychlostní stupeň) lze provést pouze při vypnutém přístroji.
- Změna rychlosti za chodu jednotky může vést k jejímu poškození.

Uvedená hodnota emisí vibrací byla změřena podle standardizovaných postupů a může se lišit v závislosti na způsobu používání elektrického náradí. Ve výjimečných případech může přesáhnout uvedenou hodnotu.

Dlouhodobé vystavení rukou obsluhy vibracím může způsobit zranění podobné omrznutí. Jedná se především o píchání nebo pálení v prstech a nadměrnou bledost rukou.

Tyto příznaky naznačují, že elektrické náradí bylo používáno příliš dlouho.

Aby se zabránilo riziku nepříznivých účinků vibrací na ruce obsluhy, je třeba dodržovat několik základních pravidel:
- denní doba práce s elektrickým náradím by měla sestávat z pravidelných přestávek, během nichž je vhodné vykonávat jiné činnosti,

- během přestávek provádějte cvičení rukou a paží, abyste zlepšili krevní oběh,
- používejte ochranné rukavice, abyste se dále chránili před negativními účinky vibrací,
Pokud se obsluha i přes dodržování výše uvedených doporučení necítí dobře, např. zpozoruje oteklé prsty nadměrnou bledost nebo ztrátu citlivosti, okamžitě kontaktujte lékaře.

Kromě toho je nutné:

- vyhýbat se nevhodným pozicím (např. špatně zvolenou polohou rovnováhy), v nichž jsou zápěstí nepřírozeně ohnuta,
- používat pravidelné intervaly, aby se zabránilo účinku opakované zátěže,
- pokud se u vás objeví příznaky únavy nebo bolesti rukou nebo paží, poraďte se s lékařem.

Fenomén trhnutí:

- Jedná se o náhlou, nekontrolovanou reakci stroje na zaseknutý nebo zablokovaný pracovní nástroj. Zaseknutí nebo zablokování vede k náhlému zastavení rotujícího nástroje, což má za následek prudké trhnutí stroje.
- Fenomén zpětného rázu je důsledkem nesprávného nebo chybného používání přístroje a nedodržení bezpečnostních postupů uvedených v návodu k obsluze přístroje.

Metody prevence vyřazování:

- Zařízení držte pevně a bezpečně a poloha rukou a těla by měla zabránit výskytu zpětného rázu, nebo jej zmírnit, pokud k němu dojde,
- Držte ruce mimo dosah rotujících pracovních nástrojů.
V případě poruchy přístroje musí být provoz okamžitě zastaven a přístroj odpojen od zdroje napájení. Poté zkontrolujte příčinu poruchy a v případě potřeby vraťte přístroj do autorizovaného servisního střediska.
Je zakázáno používat vadné pracovní nástroje, např. křivá nebo poškozená míchadla, protože to může vést k přetížení

přístroje a následným nebezpečným situacím. Míchač není určen k trvalému upevnění na žádný typ stojanu, podpěry nebo stojanu.

Přístroj vždy držte oběma rukama a pevně uchopte izolovanou rukojeť.

Změnu otáček pomocí spínače otáček lze provádět pouze při vypnutém přístroji, když motor neběží.

Změna rychlosti za chodu jednotky může vést k jejímu poškození.

	Przed uruchomieniem należy dokładnie przeczytać instrukcję obsługi i wszystkie zasady bezpieczeństwa.		Zakładaj obuwie ochronne
	Produkt spełnia wymagania norm bezpieczeństwa WE		Stosuj ochronę uszu
	Nie wystawiać urządzenia na działanie deszczu lub wilgoci		Zakładaj rękawice ochronne
	Używaj produkt zgodnie z przepisami dyrektywy WEEE		Zakładaj odzież ochronną
	Zakładaj okulary ochronne		Zakładaj maskę ochronną

POUŽÍVEJTE OSOBNÍ OCHRANNÉ PROSTŘEDKY

- Používejte ochranné brýle v souladu s normou En166
- Používejte ochranné masky v souladu s normou En149
- Používejte jiné přesné osobní ochranné prostředky v závislosti na druhu prováděné práce.

CE Zařízení splňuje požadavky směrnic Evropské unie:

- Elektrická zařízení určená pro používání v určitých mezích napětí - Low voltage directive (LVD)
- O elektromagnetické kompatibilitě - Electromagnetic compatibility (EMC)

Výrobek je opatřen označením CE na popisném štítku



Je-li produkt označen tímto symbolem přeškrtnuté popelnice, podléhá produkt evropské směrnici 2012/19/EU. Seznamte se s požadavky místního systému zpětného odběru elektrických a elektronických zařízení. Postupujte v souladu s místními platnými předpisy. Výrobek nevyhazujte s běžným domácím odpadem. Odborná likvidace starého produktu předchází potenciálnímu poškození životního prostředí a zdraví.

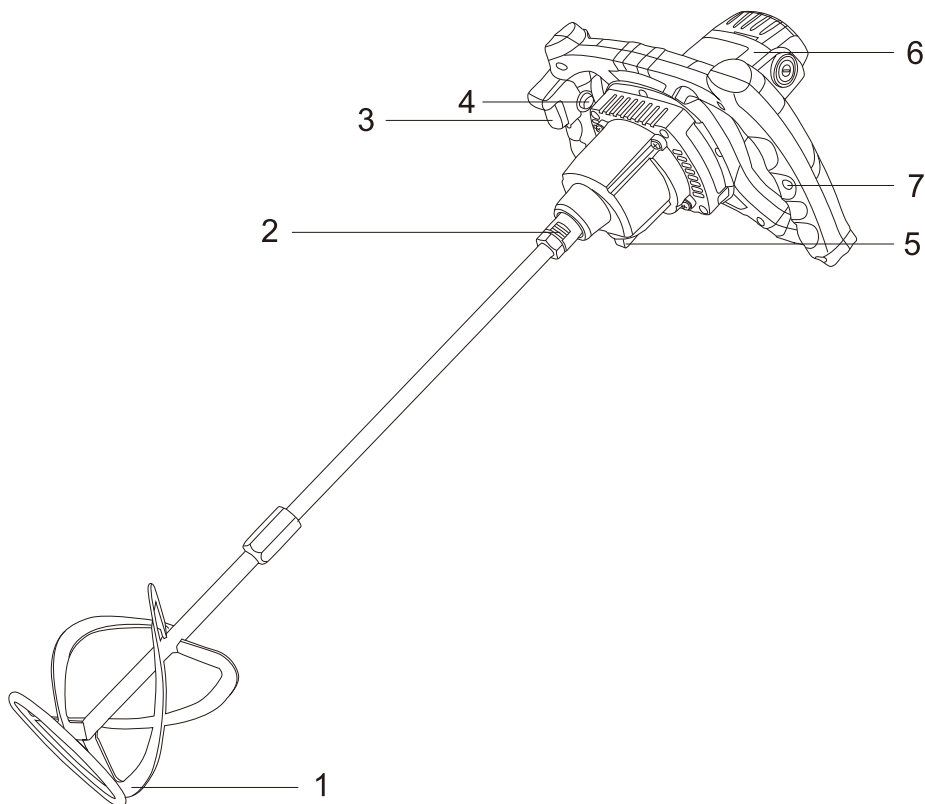
Informace o ochraně životního prostředí Obal se skládá pouze z nezbytně nutných prvků. Byla vynaložena veškerá péče pro snadné třídění tří složek obalu: karton (krabice), polystyrénová pěna (vnitřní ochrana) a polyethylen (sáčky, ochranný arch). Zařízení je vyrobeno z materiálů, které lze recyklovat a po demontáži provedené specializovanou firmou znovu použít. Dodržujte místní předpisy o likvidaci obalových materiálů, použitých baterií a zařízení po skončení životnosti.



Produkt byl vyroben z vysoce kvalitních materiálů a složek, které lze recyklovat a opakovaně používat.

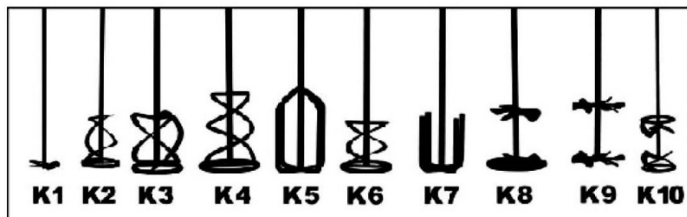
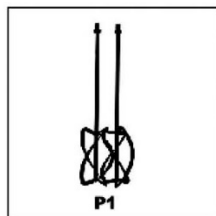
1. konstrukce zařízení

- | | |
|---|-----------------------------------|
| 1. Míchadlo | 4. Knoflík zámku spínače |
| 2. Připojovací zásuvka pro míchadlo M14 | 5. Spínač řazení |
| 3. Spínač | 6. Skříň motoru |
| | 7. Knoflík pro regulaci rychlosti |



2. výběr míchadla

Pro míchačky s jedním míchacím nástrojem dodáváme míchadla K3 jako standardní vybavení. Je možné instalovat i jiné míchadla se šroubovým připojením M14 (K1-k10 atd.).



3. Čištění a údržba

Správná údržba stroje může prodloužit jeho životnost; Spínač rukojeti musí vždy správně fungovat a musí být dobře udržován; Míchací nástroje by se měly čistit po vylití nebo po delší době nepoužívání; Míchací nástroje lze obvykle dobře vyčistit tekoucí vodou nebo křemenným pískem.

Míchací hřídel musí být vždy chráněna před znečištěním;

Na otvor šestihřanné zásuvky vždy nasadte ochrannou krytku;

Ventilace krytu motoru nesmí být za chodu stroje zakrytá a ve stroji nesmí být žádné hořlavé materiály; Ventilace otvor je třeba často čistit;



Picture.1



Picture.2

Uhlíkový kartáč se musí kontrolovat a udržovat, když je stroj v provozu až 60 hodin, kartáč se musí včas vyměnit, pokud se zjistí jeho opotřebení.

(Obr.1) Nejprve odpojte napájení, sejměte kryt motoru.

(Obr.2) Vyměňte desku a vyměňte uhlíkový kartáč.

4. instalace a provoz

Jednotka musí být vybavena míchadly s vnějším závitem M14. Instalace míchadla do jednotky se provádí v následujících krocích:

1. Vyjměte zástrčku z elektrické zásuvky, pokud byla připojena.

2 Otočte jednotku tak, aby byl volný přístup k vřetenu.

3 Vložte konec míchačky – ten se závitem – do otvoru pro vřeteno a utáhněte jej.

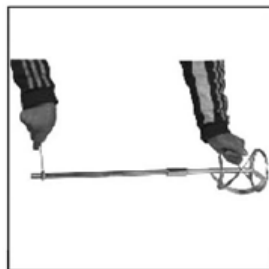
4. Přidržte vřeteno příslušným klíčem, který je součástí sady, a pevně míchačku utáhněte.



Picture.1



Picture.2



Picture.3



Picture.4



Picture.5

ŘÍZENÍ RYCHLOSTI

Ke změně rychlosti se používá otočný volič (obr. 7), který se nachází na vnitřní straně levé rukojeti.

ZMĚNA PŘEVODOVKY

Ke změně krouticího momentu se používá knoflík (obr. 6).

Při změně rozsahu otáček mějte na paměti, že tuto operaci lze provádět pouze při vypnutém přístroji. V opačném případě může dojít k poškození ozubených kol – pokud se při řazení objeví odpor, mírně pootočte vřetenem, aby se ozubená kola podařilo zařadit.



(Picture 6)



(Picture 7)

ZAPNUTO/VYPNUTO

Vypínač (3) stroje je umístěn na pravé rukojeti a je navržen tak, aby se zabránilo jeho náhodnému zapnutí.

Chcete-li spustit elektrické nářadí, stiskněte zámek (4) a poté spínač (3). Po uvolnění tlačítka zapnutí/vypnutí (6) se přístroj vypne.

Nestiskněte spínač (6), aniž byste předtím uvolnili (stiskli) zámek (5), protože by mohlo dojít k poškození přístroje.

Technická specifikace:

Model	Em5010
Jmenovité napětí	230 V~50 Hz
Jmenovitý výkon	1400 W
Jmenovité otáčky bez zatížení	0-600/min 0-900/min
Průměr mísení	120 mm
Hladina akustického tlaku	LpA =92.0dB(A)
Hladina akustického výkonu	LWA =103.0dB(A)
Hladina akustického výkonu	K =3dB(A)
Maximální hodnota vibrací	3.157m/s ²
Hladina akustického výkonu	K =1.5m/s ²

DÔLEŽITÁ INFORMÁCIA

Ak chcete dosiahnuť najvyššiu spokojnosť, užiť si výkon produktu a naučiť sa všetky jeho vlastnosti a funkcie, prečítajte si pred použitím tohto produktu tento návod.

Pred použitím zariadenia si prečítajte návod na obsluhu a dodržujte pokyny v ňom uvedené. Výrobca neručí za škody spôsobené používaním zariadenia v rozpore s jeho určením alebo nesprávnou obsluhou.

Návod na obsluhu uschovajte tak, aby ho bolo možné použiť aj pri neskoršom použití produktu.

- Zariadenie slúži výhradne na domáce použitie. Nepoužívajte ho na iné účely, ktoré sa nezhodujú s jeho určením.
- Zariadenie pripojte len k zásuvke s uzemnením s charakteristikou zodpovedajúcou hodnotám na typovom štítku.
- Skontrolujte, či celkový príkon všetkých zariadení pripojených k nástennej zásuvke neprekračuje maximálnu záťaž poistky.
- Pokiaľ využívate predlžovaciu šnúru, skontrolujte, či celkový príkon techniky pripojenej na predlžovacej šnúre neprekračuje parametre zaťaženia predlžovacej šnúry. Kábel predlžujúcej šnúry položte tak, aby sa zamedzilo náhodným potiahnutím a zakopnutím o neho.
- Nedovoľte, aby napájací kábel visel na hrane stolu alebo police alebo aby sa dotýkal horúcich povrchov.
- Zariadenie je určené na ovládanie s pomocou externého časového spínača, samostatného diaľkového ovládača alebo iného zariadenia, ktorým možno prístroj automaticky spúšťať.
- Počas údržby zariadenie vždy bezpodmienečne odpojte od napájania.
- Pri odpájaní napájacieho kábla ho vždy vytiahnite zo zásuvky tak, že ho budete držať za zástrčku. Nikdy nevyťahujte napájací kábel ťahaním za kábel, pretože by sa mohla poškodiť zástrčka alebo kábel a v extrémnom prípade môže dokonca dôjsť k smrteľnému úrazu prúdom.
- Je zakázané ponechávať zariadenie zapnuté a zapojené do

- zásuvky bez dozoru.
- Zariadenie neponárajte do vody ani do žiadnej inej kvapaliny.
 - Zariadenie musí byť pravidelne čistené podľa pokynov popísaných v časti o čistení a údržbe zariadenia.
 - Zariadenie neumiestňujte blízko zdrojov tepla, elektrických vykurovacích telies alebo na horúcu rúru. Neumiestňujte ho na žiadne iné zariadenia.
 - Toto zariadenie môže byť používané deťmi vo veku minimálne 8 rokov a osobami so zníženými fyzickými a psychickými schopnosťami a osobami s nedostatkom skúseností a bez znalosti prístroja, pokiaľ bude zaistený dohľad alebo inštruktáž ohľadom používania zariadenia bezpečným spôsobom tak, aby boli zrozumiteľné s tým spojené riziká. So zariadením si nesmú hrať deti. Deti bez dohľadu nesmú vykonávať čistenie a údržbu zariadenia.
 - Počas používania zariadenia zachovávajte zvláštnu opatrnosť, pokiaľ sa v blízkosti nachádzajú deti alebo domáce zvieratá. Nepripustte, aby si so zariadením hrali deti.
 - Zariadenie nepoužívajte v blízkosti horľavých materiálov.
 - Zariadenie nevystavujte pôsobeniu atmosférických podmienok (dažďa, slnka atď.), ani ho nepoužívajte v podmienkach so zvýšenou vlhkosťou (kúpeľne, vlhké chaty).
 - Pravidelne kontrolujte stav napájacieho kábla. Pokiaľ sa poškodil neodpojiteľný kábel napájania, musí byť vymenený u výrobcu alebo v špecializovanom servise, prípadne inou kvalifikovanou osobou, aby nevzniklo nebezpečenstvo.
 - Nepoužívajte zariadenie s poškodeným napájacím káblom, zástrčkou alebo pokiaľ Vám spadlo alebo bolo poškodené akýmkoľvek iným spôsobom, prípadne pokiaľ nepracuje správne. Zariadenie sami neopravujte, inak hrozí úraz. Poškodené zariadenie odovzdajte do príslušného servisu kvôli kontrole alebo vykonaniu opravy. Všetky opravy môžu robiť výhradne oprávnené servisy. Nesprávne urobená oprava môže pre užívateľa predstavovať vážne nebezpečenstvo.
 - Používajte iba originálne príslušenstvo k zariadeniu alebo príslušenstvo odporúčané výrobcom. Používanie

- príslušenstva neodporúčaného výrobcom môže viesť k poškodeniu zariadenia a ohroziť bezpečnosť používania.
- Udržujte svoje pracovisko upratané a dobre osvetlené.
 - Neporiadok a nedostatočné osvetlenie vedú k nehodám.
 - Elektrické náradie nepoužívajte v prostredí s nebezpečenstvom výbuchu, tzn. v prítomnosti horľavých kvapalín, plynov alebo prachu.
 - Chvilka nepozornosti môže viesť k strate kontroly nad náradím.
 - Ak sú k dispozícii elektrické náradie na odsávanie alebo zber prachu, skontrolujte, či sú pripojené a správne fungujú. Použitie takéhoto elektrického náradia znižuje riziko prítomnosti prachu.
 - Nenakláňajte sa s elektrickým náradím príliš ďaleko. Udržujte stabilnú polohu tela a rovnováhu. Vďaka tomu si zachováte lepšiu kontrolu nad elektrickým náradím v nepredvídaných situáciách.
 - Vyhnite sa nechcenému spusteniu elektrického náradia. Pred pripojením elektrického náradia k elektrickej sieti skontrolujte, či sa vypínač nachádza vo vypnutej polohe (OFF). Prenášanie elektrického náradia s prstom na spúšti alebo pripájanie elektrického prúdu k sieti po jeho zapnutí môže viesť k nehode.
 - Noste vhodné oblečenie. Nepracujte vo voľnom oblečení a pri práci nenoste šperky. Udržujte svoje vlasy, odev a rukavice mimo pohyblivých častí. Pohyblivé časti elektrického náradia môžu zachytiť a vtiahnuť voľný odev, šperky alebo dlhé vlasy.
 - Pred spustením elektrického náradia z neho odstráňte všetky kľúče alebo nástroje. Nástroj alebo kľúč, ktorý je stále pripojený k rotujúcej časti elektrického náradia, môže spôsobiť zranenie.
 - Pri práci s elektrickým náradím buďte opatrní, sústreďte sa na prácu a používajte zdravý rozum. Nepoužívajte elektrické náradie, ak ste unavení alebo pod vplyvom drog, alkoholu alebo liekov. Chvilka nepozornosti pri práci s elektrickým náradím môže viesť k vážnej nehode.

- Udržujte deti mimo pracovnej oblasti a NEDOVOLTE deťom, aby ťahali za napájací kábel - mohlo by to spôsobiť vážne zranenie.
- Elektrické náradie vždy umiestnite a používajte na stabilnom, rovnom a vodorovnom povrchu.
- Pred vykonávaním akýchkoľvek úprav, výmenou príslušenstva alebo pred odložením elektrického náradia otočte hlavný vypínač do polohy vypnuté, aby ste náradie odpojili od zdroja napájania. Také preventívne opatrenia znižujú riziko náhodného spustenia elektrického náradia.
- Pred každým použitím skontrolujte kryt, či nie je poškodený.
- Uistite sa, že sú ventilačné otvory bez nečistôt.
- Zariadenie je možné používať iba v suchom, dobre osvetlenom prostredí.
- Toto náradie by nemali používať osoby mladšie ako 16 rokov.
- Zariadenie je určené iba na vonkajšie použitie. Nepoužívajte na iné účely, ktoré nie sú v súlade s jeho zamýšľaným použitím.
- Hladina hluku počas prevádzky môže prekročiť 85 dB (A); používajte chrániče sluchu.

Miešadlo – bezpečnostné upozornenia.

Miešadlo a miešacia metla nie sú určené na prípravu stravy pre ľudí alebo

zvieratá. Miešadlom môžeme miešať len látky a materiály používané v stavebníctve.

- Korpus zariadenia, ako aj použité náradie nespĺňajú hygienické normy vyžadované pri spracovaní potravín.
 - b) Zariadenie sa nesmie používať na miešanie horľavých alebo výbušných látok.
 - Počas prevádzky miešadla vznikajú v hnacom motore elektrické iskry, ktoré môžu zapáliť výpary miešaných látok.
 - c) Pred zmiešaním stavebných materiálov si prečítajte ich návod na použitie alebo kartu bezpečnostných údajov (MSDS).
- Určité druhy materiálov alebo chemikálií sú zdraviu

- nebezpečné
alebo ohrozujú ľudský život a proces ich miešania môže byť závislý od splnenia určitých podmienok.
- d) Pri miešaní materiálov mimo nádoby držte miešadlo za izolované rukoväte elektrického náradia.
- Vždy existuje riziko, že pri práci natrafíte na skryté elektrické káble pod napätím. Ostré hrany niektorých metiel sa môžu ľahko poškodiť alebo prerezať elektrický vodič, čo môže spôsobiť úraz elektrickým prúdom.
- e) Pri miešaní materiálov dbajte na umiestnenie prírodného kábla miešadla tak, aby sa nenachádzal v blízkosti rotujúceho pracovného nástroja (miešacej metly).
- Prírodný kábel elektrického náradia musí byť umiestnený mimo pracovnej oblasti miešadla, v ktorej môže dôjsť k jeho poškodeniu alebo prerezaniu, a tým predstavovať nebezpečenstvo úrazu elektrickým šokom.
- f) Nádoba, v ktorej sa materiály miešajú, by mala byť umiestnená na rovnej a plochej zemi tak, aby sa pri miešaní nenakláňala a nekývala.
- Nekontrolovaný pohyb nádoby počas miešania môže viesť k nebezpečným situáciám.
- g) Náradie držte pevne a bezpečne oboma rukami za izolované rukoväte a udržiavajte stabilnú polohu.
- h) Ak je elektrické náradie veľmi znečistené miešaným materiálom, napr. po páde do nádoby so zmesou, ihneď vypnite miešadlo a odpojte ho zo siete.
- Použitím elektrického náradia, do ktorého prenikla voda alebo miešaná zmes, môže viesť k zničeniu zariadenia a tiež predstavuje riziko úrazu elektrickým prúdom.
- i) Pri miešaní kvapalín a tekutín nedovoľte, aby do vnútra

- elektrického náradia prenikli akékoľvek kvapky.
- Kvapaliny alebo tekutiny, ktoré preniknú do elektrického náradia môžu spôsobiť zásah elektrickým prúdom.
 - j) Ak sa počas miešania zablokuje pracovný nástroj (miešacia metla), ihneď vypnite miešadlo. Dávajte si pritom pozor na vzniknutú silu spätného rázu, ktorá môže spôsobiť vytrhnutie zariadenia z rúk operátora.
 - Používaním nefunkčných pracovných nástrojov, napr. krivých miešacích metiel, alebo ak operátor preťaží zariadenie, môže vytvoriť nebezpečnú situáciu.
 - k) Miešačka nemôže byť montovaná na stojany, podpery a pod.
 - Elektrické náradie vždy držte pevne v oboch rukách.
 - l) Upozorňujeme, že zmenu rýchlosti pomocou prepínača rýchlosti (1. alebo 2. rýchlosť), možno vykonať len vtedy, keď je zariadenie vypnuté.
 - Zmena rýchlosti otáčania počas chodu zariadenia môže spôsobiť jeho poškodenie.
- Uvedená hodnota vibrácií bola nameraná podľa štandardizovaných postupov a môže sa líšiť v závislosti od spôsobu používania elektrického náradia. Vo výnimočných prípadoch môže prekročiť uvedenú hodnotu.
- Dlhodobé vystavenie pôsobenia vibrácií na ruky operátora môže spôsobiť zranenia podobné omrzlinám. Sú to predovšetkým o pichanie či pálenie v prstoch, ako aj nadmerná bledosť rúk.
- Tieto príznaky naznačujú, že elektrické náradie bolo používané príliš dlho.
- Aby sa predišlo riziku nepriaznivých účinkov vibrácií na ruky operátora, mali by ste dodržiavať niekoľko základných pravidiel:
- denná doba práce s elektrickým náradím by mala zahŕňať pravidelné prestávky, počas ktorých sa odporúča vykonávať iné činnosti,

- počas prestávok cvičte ruky a paže kvôli zlepšeniu krvného obehu,
 - nosite ochranné rukavice, ktoré dodatočne chránia pred negatívnymi účinkami vibrácií,
Ak sa operátor napriek dodržaniu vyššie uvedených odporúčaní necíti dobre, napríklad má opuchy, zblednuté prsty alebo stratí citlivosť, okamžite navštívte alebo sa skontaktujte s lekárom.
- Dodatočné pokyny:
- vyhýbajte sa zaujatiu nepohodlnej polohy (napr. nesprávne rozložené ťažisko, zlá rovnováha), v ktorej sú zápästia neprirodzene vytočené,
 - dodržiavajte pravidelné prestávky, aby sa znížil účinok opakovanej záťaže,
 - ak máte akékoľvek príznaky únavy rúk a paží alebo pociťujete akúkoľvek inú bolesť, navštívte alebo sa skontaktujte s lekárom.

Spätný ráz:

- Je to náhla, nekontrolovaná reakcia zariadenia na zaseknutie alebo zakliesnenie pracovného nástroja. Zaseknutie alebo zakliesnenie vedie k náhlemu zastaveniu rotujúceho nástroja, čo vedie k prudkému trhnutiu nástroja.
 - Spätný ráz je výsledkom nesprávneho alebo nevhodného používania zariadenia a nedodržiavania bezpečnostných postupov uvedených v návode na používanie zariadenia.
Metódy prevencie spätného rázu:
 - Zariadenie držte pevne a silno, pričom poloha rúk a tela by mala zabrániť vzniku spätného rázu, prípadne tento jav zmierniť,
 - Držte ruky mimo dosahu rotujúceho vybavenia.
- V prípade poruchy zariadenia okamžite prestaňte pracovať a odpojte zariadenie od zdroja napájania. Potom skontrolujte príčinu poruchy a v prípade potreby dodajte zariadenie do autorizovaného servisu.

Je zakázané používať neefektívne pracovné nástroje, napríklad krivé alebo poškodené miešacej metly, pretože to môže viesť k preťaženiu zariadenia a následne k

nebezpečným situáciám. Miešačka nie je určená na trvalé upevnenie k rôznym stojanom, podperám alebo rámom. Elektrické náradie držte vždy pevne oboma rukami za izolovanú rukoväť.

Rýchlosť môžete zmeniť pomocou prepínača rýchlosti len pri vypnutom zariadení, keď motor nepracuje.

Zmena otáčok počas chodu zariadenia môže viesť k jeho poškodeniu.

	Pred zapnutím zariadenia si pozorne prečítajte návod na použitie a všetky bezpečnostné pravidlá.		Noste bezpečnostnú obuv
	Výrobok spĺňa požiadavky bezpečnostných noriem ES		Používajte ochranu sluchu
	Nevystavujte zariadenie dažďu ani vlhkosti.		Noste ochranné rukavice
	Výrobok zlikvidujte v súlade s ustanoveniami smernice WEEE		Noste ochranný odev
	Noste ochranné okuliare		Noste ochrannú masku

POUŽÍVAJTE OSOBNÉ OCHRANNÉ PROSTRIEDKY

- Používajte ochranné okuliare v súlade s normou En166
- Používajte ochranné masky v súlade s normou En149
- Používajte iné presné osobné ochranné prostriedky v závislosti od druhu vykonávanej práce.



Zariadenie zodpovedá nárokom smerníc Európskej únie:

- Smernica pre nízke napätie - Low voltage directive (LVD)
- Elektromagnetická kompatibilita - Electromagnetic compatibility (EMC)

Výrobok je na typovom štítku označený CE



Pokiaľ sa na zariadení nachádza symbol preškrtnutého odpadkového koša, znamená to, že sa na tento výrobok vzťahujú ustanovenia európskej smernice 2012/19/EU. Zoznámte sa s podmienkami týkajúcimi sa miestneho systému zberu elektrického a elektronického odpadu. Postupujte v súlade s miestnymi predpismi. Tento produkt nie je možné vyhodit spoločne s bežným domácim odpadom. Správne odstránenie starého výrobku zabraňuje prípadným negatívnym následkom na prírodné prostredie a na ľudské zdravie.

Informácie o ochrane životného prostredia: Balenie obsahuje len nevyhnutné súčasti. Bolo vyvinuté všetko úsilie, aby tri materiály tvoriace obal šlo ľahko oddeliť: lepenku (škatuľa), polystyrénovú penu (ochrana vnútra) a polyetylén (vrecká, ochranná fólia). Zariadenie bolo

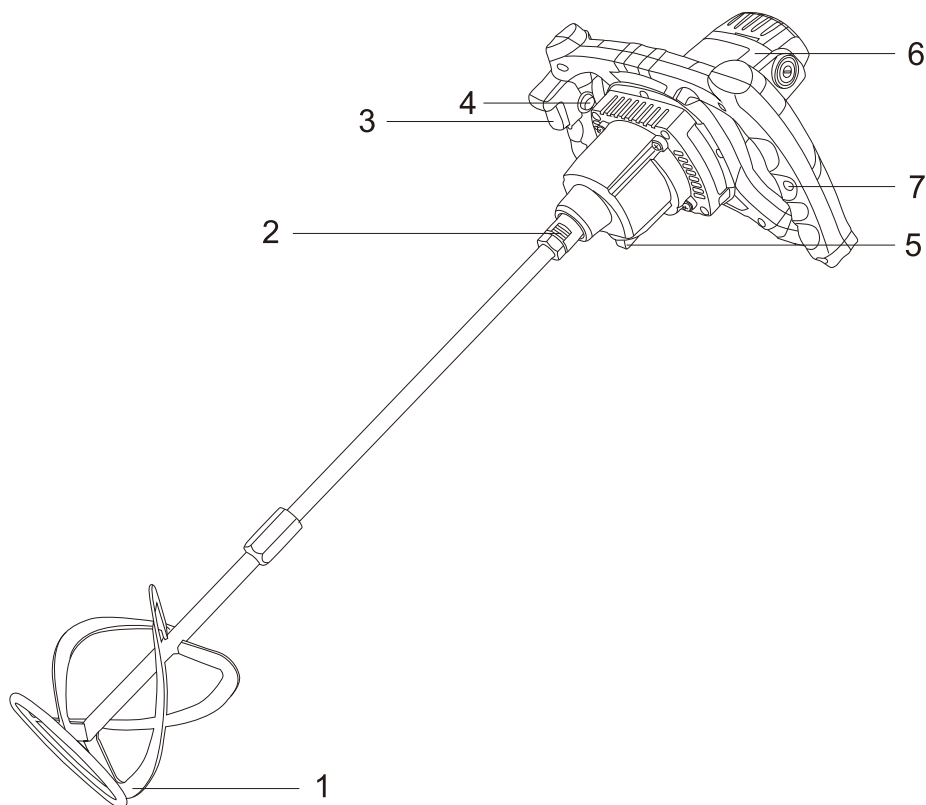
vyrobené z materiálov, ktoré sa dajú recyklovať a znovu použiť po ich demontovaní špecializovanou firmou. Dodržujte miestne predpisy týkajúce sa likvidácie obalových materiálov, použitých batérií a nepotrebných zariadení.



Výrobok bol vyprodukovaný z vysoko kvalitných materiálov a súčiastok, ktoré možno recyklovať a znovu použiť.

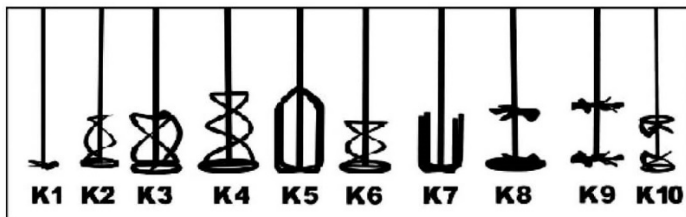
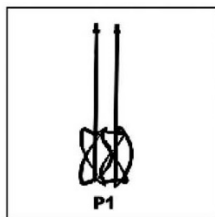
1. Konštrukcia zariadenia

- | | |
|-------------------------------------|-------------------------------|
| 1. Miešadlo | 4. Gombík blokovania vypínača |
| 2. Pripojovací hriadeľ miešadla M14 | 5. Prepínač zmeny rýchlosti |
| 3. Vypínač | 6. Kryt motora |
| | 7. Gombík na reguláciu otáčok |



2. Výber miešacej metly

Miešadlá s jednou pracovnou koncovkou dodávame s miešacou metlou K3 ako štandardné vybavenie. Do miešadla môžete nasadiť aj iné miešacie koncovky pri použití skrutkového spoja M14 (K1-K10 atď.).



3. Čistenie a údržba zariadenia

Správna údržba stroja môže predĺžiť jeho životnosť; Spínač na rukoväti musí vždy správne fungovať a musí byť udržiavaný v dobrom stave; Miešacie nástroje by sa mali vyčistiť po ukončení vykonávaných prác alebo v prípade, kedy sa nebudú dlhšie používať; Tečúca voda alebo kremenný piesok môžu vo väčšine prípadov dobre vyčistiť miešacie nástroje.

Miešací hriadeľ musí byť vždy chránený pred znečistením;

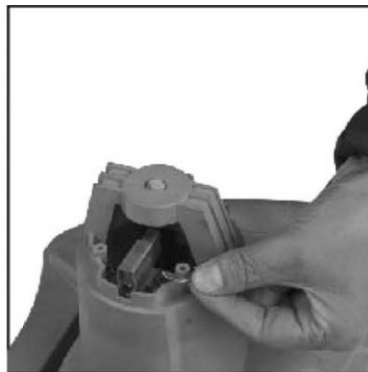
na šesťhranný otvor v hriadeľi vždy nasadte ochranný kryt;

Počas prevádzky stroja nesmie byť zakryté vetranie krytu motora, v stroji nesmú byť žiadne horľavé materiály;

Odvzdušňovač je potrebné často čistiť;



Picture.1



Picture.2

Uhlíkovú kefku je potrebné kontrolovať a udržiavať, keď stroj pracuje do 60 hodín, vymeňte kefku v prípade, ak zistíte, že je opotrebovaná.

(Obr.1) Najprv odpojte napájanie, následne odstráňte kryt motora.

(Obr. 2) Vytiahnite platničku a vymeňte uhlíkovú kefku.

4. Montáž a obsluha

Zariadenie by sa malo používať s miešacími metlami vybavenými pripojovacou koncovkou s vonkajším závitom M14. Miešacia metla sa inštaluje do zariadenia nasledovne:

1. Vytiahnite zástrčku z elektrickej zásuvky, ak je v nej pripojená.
2. Otočte zariadenie tak, aby ste získali voľný prístup k vretienu.
3. Vložte koniec metly - ten so závitom - do otvoru vretien a utiahnite ho.
4. Držte vretien príslušným kľúčom, ktorý je súčasťou súpravy, a pevne utiahnite miešaciu metlu.



Picture.1



Picture.2



Picture.3



Picture.4



Picture.5

REGULÁCIA OTÁČOK

Rýchlosť otáčania je možné meniť pomocou gombíka (Obr. 7), ktorý sa nachádza na vnútornej strane ľavej rukoväte.

ZMENA RÝCHLOSTI

Krútiaci moment sa mení pomocou gombíka (Obr. 6).

Pri zmene rozsahu otáčok pamätajte na to, že túto operáciu je možné vykonať len vtedy, keď je zariadenie vypnuté. V opačnom prípade môže dôjsť k poškodeniu prevodovky - ak pri zmene prevodového stupňa cítite odpor, mierne otočte hriadeľ, aby zapadli pastorky.



(Picture 6)



(Picture 7)

Zapnutie/Vypnutie

ZAPNUTIE/VYPNUTIE Spínač/Vypínač (3) stroja sa nachádza na pravej rukoväti a je navrhnutý tak, aby sa zabránilo náhodnému jeho spusteniu.

Ak chcete elektrické náradie spustiť, stlačte blokádu (4) a potom spínač (3). Zariadenie sa vypne, keď uvoľníte tlačidlo spínača (6).

Nestláčajte spínač (6) bez predchádzajúceho uvoľnenia (stlačenia) blokády (5), pretože by mohlo dôjsť k poškodeniu zariadenia.

Technická špecifikácia:

Model	Em5010
Menovité napätie	230 V~50 Hz
Menovitý príkon	1400 W
Menovitá rýchlosť bez zaťaženia	0-600/min 0-900/min
Priemer miešania	120 mm
Hladina akustického tlaku	LpA =92.0dB(A)
Zaručená hladina akustického výkonu	LWA =103.0dB(A)
Neistota K	K =3dB(A)
Maximálna hodnota vibrácií	3.157m/s ²
Neistota K	K =1.5m/s ²

FONTOS INFORMÁCIÓK

A legnagyobb elégedettség elérése, a termék teljesítményének élvezete, valamint a termék összes jellemzőjének és funkciójának megismerése érdekében kérjük, a termék használata előtt olvassa el ezt a kézikönyvet.

A készülék használata előtt olvassa el a kezelési útmutatót, és kövesse az abban foglalt utasításokat. A gyártó nem vállal felelősséget a készülék rendeltetésétől eltérő használatából vagy helytelen kezeléséből eredő károkért.

A kezelési útmutatót meg kell őrizni, hogy a termék későbbi használata során is felhasználható legyen.

- A készülék kizárólag háztartási használatra alkalmas. Más, nem rendeltetésszerű célokra nem használható.
- A készüléket az adattáblán feltüntetett értékeknek megfelelő aljzatba csatlakoztassa.
- Győződjön meg arról, hogy az aljzatba csatlakoztatott berendezések teljes áramfelvétele nem haladja meg a biztosíték maximális teljesítményét.
- Amennyiben hosszabbítót vesz igénybe, ellenőrizze, hogy a hosszabbítóhoz csatlakoztatott berendezések teljes áramfelvétele nem haladja meg a hosszabbító teljesítményének paramétereit. A hosszabbító vezetékét helyezze el úgy, hogy véletlen ne lehessen rálépni vagy megbotlani.
- Ne engedje, hogy a tápvezeték az asztal vagy pult szélén lelógjon, illetve forró felülethez érjen.
- A készüléket külső időzített kapcsolóval, külön távirányítóval vagy egyéb, a berendezés automatikus kapcsolását biztosító készülékkel nem használható.
- Karbantartás előtt mindig és feltétlenül, a csatlakozódugót húzza ki az aljzatból.
- A tápvezetéket az aljzatból mindig a csatlakozódugónál tartva húzza ki. A tápvezetéket az aljzatból vezetéknél fogva sose húzza, mivel a csatlakozódugó vagy a vezeték megsérülhet,
- szélsőséges esetekben halállal járó áramütést okozhat.
- Soha ne hagyja a készüléket felügyelet nélkül, amíg csatlakoztatva van az aljzathoz.
- A készüléket vízbe vagy egyéb folyadékba ne merítse.

- A készüléket a Tisztítás és karbantartás részben foglaltak szerint, rendszeresen tisztítsa.
- A készüléket hőforrás, láng, elektromos fűtőelem közelében vagy forró sütőre ne helyezze. A készüléket egyéb más berendezésre ne tegye.
- A készüléket nem használhatják 8 éven aluli gyermekek és fizikai vagy mentális fogyatékkal élő személyek, vagy olyan ember akinek nincs megfelelő tapasztalata vagy tudása a készülékkel kapcsolatban. Kivéve ha felügyelet alatt vannak vagy a készülék biztonságos használatával kapcsolatosan, számukra érthető módon tájékoztatásban részesültek. Gyermekeknek tilos a készülékkel játszani. Felügyelet nélkül a gyermekek a készülék tisztítását és karbantartását nem végezhetik.
- Különös óvatossággal használja a készüléket, ha a közelben gyermekek vagy háziállatok tartózkodnak. Ne engedje, hogy a gyermekek a készülékkel játszanak.
- A készüléket gyúlékony anyagok közelében ne használja.
- A készüléket kültéri behatások (eső, nap, stb.) előtt védje, valamint magas páratartalmú helységeekben ne használja (fürdőszoba, nyirkos faházak).
- A tápvezeték állapotát rendszeresen ellenőrizze. Amennyiben leválaszthatatlanul rögzített tápkábel hibásodik meg, a veszély elkerülése érdekében kizárólag a gyártó, szakosodott szakszerviz vagy szakképesítéssel rendelkező személy cserélheti ki.
- Hibás tápvezetékekkel vagy csatlakozódugóval, illetve ha a készülék leesett, más módon megsérült vagy nem megfelelő módon üzemel, a készüléket sosem vegye használatba. A készüléket önállóan ne javítsa, áramütést okozhat. A hibás készüléket ellenőrzés vagy javítás céljával megfelelő szakszervizben adja le. A készüléket kizárólag erre jogosult szervizek javíthatják. A nem megfelelőképpen végzett javítás a felhasználó számára komoly kockázatot jelent.
- A készülékhez kizárólag eredeti vagy a gyártó által ajánlott kellékeket használjon. A gyártó által nem ajánlott kellékek használata a készülék meghibásodását okozhatja és a felhasználó biztonságát veszélyezteti.
- Tartsa rendben és jól megvilágítva a munkahelyét.

- A rendetlenség és a nem megfelelő világítás balesetekhez vezethet.
- Ne használjon elektromos szerszámokat robbanásveszélyes környezetben, azaz gyúlékony folyadékok, gázok vagy por jelenlétében.
- Egy pillanatnyi figyelmetlenség a szerszám feletti uralom elvesztését kockáztatja.
- Ha van lehetőség porszívó vagy porgyűjtő elektromos szerszámok felszerelésére, ellenőrizze, hogy azok fel vannak-e szerelve és megfelelően működnek-e. Az ilyen elektromos szerszámok használata csökkenti a por jelenléte által jelentett kockázatot.
- Ne dőljön túlságosan rá az elektromos kéziszerszámra. Tartsa meg a stabil testtartását és az egyensúlyát. Ez segíthet abban, hogy előre nem látható helyzetekben jobban kézben tarthassa az elektromos szerszámot.
- Kerülje az elektromos szerszám akaratlan elindítását. Győződjön meg róla, hogy a hálózati kapcsoló OFF állásban van, mielőtt az elektromos szerszámot a hálózatra csatlakoztatja. Balesethez vezethet, ha az elektromos szerszámot úgy viszi, hogy az ujja a gombon van, vagy ha bekapcsolás után dugja be az elektromos szerszámot.
- Viseljen megfelelő ruházatot. Ne dolgozzon laza ruhában, és ne viseljen ékszereket munka közben. Tartsa távol a haját, a ruházatot és a kesztyűt a mozgó alkatrészekről. Az elektromos szerszám mozgó részei megragadhatják és behúzhatják a laza ruhadarabokat, ékszereket vagy a hosszú haját.
- Elindítás előtt távolítsa el a villanykulcsokat vagy szerszámokat az elektromos eszközökből. Az elektromos szerszám forgó részéhez még mindig csatlakoztatott szerszám vagy kulcs személyi sérülést okozhat.
- Legyen óvatos, amikor elektromos szerszámokkal dolgozik, koncentráljon a munkájára, és józan ésszel járjon el. Ne használjon elektromos szerszámot fáradtan, illetve kábítószer, alkohol vagy gyógyszer hatása alatt. Egy pillanatnyi figyelmetlenség is súlyos balesethez vezethet az elektromos szerszámmal végzett munka során.

- Tartsa távol a gyerekeket a munkaterülettől, és NE engedje, hogy a gyerekek meghúzzák a tápkábelt - ez súlyos sérülést okozhat.
- Az elektromos szerszámot mindig stabil, vízszintes és egyenletes felületen helyezze el és használja.
- Mielőtt bármilyen beállítást elvégezne, tartozékot cserélne vagy tárolná az elektromos szerszámot, állítsa a kapcsolót kikapcsolt állásba, hogy az elektromos szerszámot leválassza az áramforrásról. Az ilyen óvintézkedések csökkentik az elektromos szerszám véletlen elindításának kockázatát.
- Minden használat előtt ellenőrizze a készülékház állapotát.
- Győződjön meg arról, hogy a szellőzőnyílásokban nincsenek lerakódások.
- A készüléket csak száraz, jól megvilágított környezetben szabad használni.
- Ezt az eszközt 16 év alattiak nem használhatják.
- A készüléket kizárólag kültéri használatra szánták. Ne használja a rendeltetésétől eltérő célokra.

Keverőgép - biztonsági figyelmeztetések.

A keverőfej és a keverőgép nem szolgálhat emberi vagy állati ételek

elkészítésére. Csak az építőiparban használt anyagokat és alapanyagokat lehet vele keverni.

- A berendezés burkolata, valamint a használt eszközök nem felelnek meg az élelmiszer-feldolgozáshoz szükséges higiéniai előírásoknak.

b) A berendezés nem használható gyúlékony vagy robbanásveszélyes anyagok keverésére.

- A keverőgép működése közben, a meghajtó motorban elektromos szikrák keletkeznek, amelyek a keverendő anyagok gőzét begyűjthetik.

c) Az építőanyagok összekeverése előtt, olvassa el a használati utasításukat vagy az anyagbiztonsági adatlapot (MSDS).

- Bizonyos típusú anyagok vagy vegyszerek veszélyesek az emberi egészségre és az életre,

és ezeknek a a keverési folyamata bizonyos feltételekhez kötött.

- d) Amikor az anyagokat egy tartályon kívül keveri össze, mindkét kezével fogja meg az elektromos kéziszerszámot a szigetelt fogantyúinál.
- A munka során mindig fennállhat annak a veszélye, hogy rejtett, feszültség alatt álló elektromos kábelekkel találkozunk. Az egyes keverők éles szélei könnyen megsérülhetnek vagy elvághatják az elektromos kábelt, ami áramütéshez vezethet.
- e) Az anyagok keverésekor ügyeljen arra, hogy a keverőgép tápvezetéke ne legyen a forgó munkaeszköz (keverőgép) közelében.
- Az elektromos szerszám tápkábelének a keverőgép munkaterületén kívül kell elhelyezkednie, mivel azt megsértheti vagy elvághatja, ami miatt áramütés veszélye állhat fenn.
- f) A tartályt, amelyben az anyagokat összekeverik, egy vízszintes és egyenes felületen kell elhelyezni, hogy keverés közben az el ne dőljön meg és ne billegjen.
- A tartály ellenőrizetlen mozgása keverés közben veszélyes helyzeteket okozhat.
- g) Tartsa az elektromos szerszámot stabilan és biztonságosan, mindkét kezével, a szigetelt fogantyúknál, miközben azt stabil helyzetben tartja.
- h) Ha az elektromos kéziszerszám nagyon beszennyeződik a kevert anyagtól, például mert a keveréket tartalmazó tartályba esett azonnal kapcsolja ki a keverőt és húzza ki a hálózatból.
- Olyan elektromos szerszám használata, amelybe víz vagy a keverék összetevői kerültek, az károsíthatja a szerszámot, és az áramütés veszélye is fennállhat.
- i) Folyadékok és cseppfolyós anyagok keverésekor ügyelni kell arra, hogy azok cseppjei ne kerüljenek az elektromos szerszámba.

- Ha folyadékok vagy cseppfolyós anyagok kerülnek az elektromos szerszámba, fennállhat az áramütés veszélye.
- j) Ha a munkaeszköz (keverőgép) elakad a keverés közben, azonnal kapcsolja ki a keverőgépet. Ennek során ügyelni kell a keletkező visszarúgási erőre, amely ahhoz vezethet, hogy a készülék kiugorhat a felhasználó kezéből.
- A meghibásodott munkaeszközök, például görbe keverőfejek használatával, vagy a berendezés túlterhelésével a felhasználó veszélyes helyzeteket idézhet elő.
- k) A keverőgép szerkezetileg nem alkalmas állványokra, támaszokra stb. történő felszerelésre.
- Mindig tartsa a készüléket a kezében, mindkét kezével, határozott fogással.
- l) Kérjük, ügyeljen arra, hogy a fordulatszám kapcsolóval (I vagy II) történő változtatás csak kikapcsolt állapotban lévő készülék mellett lehetséges.
- A fordulatszám sebességének a megváltoztatása a készülék működése közben károsíthatja a készüléket. A megadott rezgés kibocsátási értéket szabványosított eljárások szerint lettek lemérve, és az elektromos szerszám használatától függően változhat. Kivételes esetekben meghaladhatja a megadott értéket. A felhasználó kezeit érő rezgések hosszan tartó expozíciója fagyásszerű sérüléseket okozhatnak. Ez főként az ujjak szúró vagy égő érzése, valamint a kezek túlzott sápadtságában jelentkezhet. Ezek a tünetek azt jelzik, hogy az elektromos szerszámot túl sokáig használták. A rezgések a felhasználó kezére gyakorolt káros hatásának elkerülése érdekében ajánlott pár alapvető szabályt be tartani:
- az elektromos szerszámmal való napi munkaidőnek rendszeres szünetekből kell állnia, amelyek alatt célszerű más tevékenységeket végezni,

- a szünetekben végezzen kéz- és kargyakorlatokat a keringés javítása érdekében,
- viseljen védőkesztyűt a vibráció negatív hatásai elleni további védelem érdekében,
Abban az esetben ha a fenti ajánlások betartása ellenére a felhasználó rosszul érzi magát, például, ha az ujjai megdagadnak, az ujjai túlságosan sápadttá válnak, vagy az érzékelés elvesztése esetén azonnal forduljon orvoshoz.

Ezenkívül ajánlott:

- kerülje egy kényelmetlen állóhelyzet felvételét (például rossz egyensúlyi pont miatt), amelyben a csukló természetellenesen meg van csavarodva,
- tartson rendszeres szüneteket az ismétlődő terhelés hatásának csökkentése érdekében,
- forduljon orvoshoz, ha a kéz vagy a kar fáradtságának vagy fájdalmának bármilyen tünetét észleli.

A visszarúgási jelenség:

- Ez az eszköz hirtelen, ellenőrizetlen reakciója egy elakadt vagy beszorult munkaeszköz esetében. Az elakadás vagy beszorulás a forgó szerszám hirtelen leállításához vezethet, ami a szerszám éles megrándulásához vezethet.
- A visszarúgás jelensége a készülék nem megfelelő vagy helytelen használatának és a készülék használati utasításában szereplő biztonsági eljárások be nem tartásának következménye.

A visszarúgás megelőzésének módszerei:

- Az eszközt szilárdan és biztonságosan kell tartani, a kezek és a test elhelyezkedésének meg kell akadályoznia a visszarúgás jelenségét, vagy enyhítenie kell azt, ha mégis bekövetkezik,
- Tartsa távol kezét a forgó tartozékszerszámoktól.

A készülék meghibásodása esetén azonnal le kell állítani, és a készüléket le kell választani az áramforrásról. Ezután ellenőrizze a hiba okát, és ha szükséges, küldje vissza a készüléket egy hivatalos szervizközpontba.

Tilos a nem hatékony munkaeszközök, pl. görbe vagy sérült

keverőfejek használata, mivel ez a készülék túlterheléséhez és ennek következtében veszélyes helyzetekhez vezethet. A keverőt nem arra tervezték, hogy különböző típusú állványokra, támasztékokra vagy keretekre állandóra rögzítve legyen.

A készüléket mindig mindkét kézzel, a szigetelt fogantyút szilárdan megragadva tartsa.

A fordulatszámot a fordulatszám kapcsoló segítségével csak kikapcsolt állapotban, a motor leállítása mellett szabad megváltoztatni.

A fordulatszám sebesség megváltoztatása a készülék működése közben károsíthatja a készüléket.

	A bekapcsolás előtt figyelmesen olvassa el a használati útmutatót és az összes biztonsági szabályt.		Viseljen védőlábbelit
	A termék megfelel az EK biztonsági szabványoknak		Használjon fülvédőt
	Ne tegye ki a készüléket esőnek vagy nedvességnek.		Viseljen védőkesztyűt
	A terméket az elektromos és elektronikus berendezések hulladékairól szóló irányelvnek megfelelően ártalmatlanítsa.		Viseljen védőruházatot
	Viseljen védőszemüveget		Viseljen védőmaszkot

EGYÉNI VÉDŐFELSZERELÉS HASZNÁLATA

- Viseljen az EN166 szabvány szerinti védőszemüveget
- Használjon az EN149 szabványnak megfelelő védőmaszkot.
- A munka típusától függően használjon egyéb precíziós egyéni védőeszközöket.



Zariadenie zodpovedá nárokom smerníc Európskej únie:
 - Smernica pre nízke napätie - Low voltage directive (LVD)
 - Elektromagnetická kompatibilita - Electromagnetic compatibility (EMC)

Výrobok je na typovom štítku označený CE



Pokiaľ sa na zariadení nachádza symbol preškrtnutého odpadkového koša, znamená to, že sa na tento výrobok vzťahujú ustanovenia európskej smernice 2012/19/EU. Zoznámte sa s

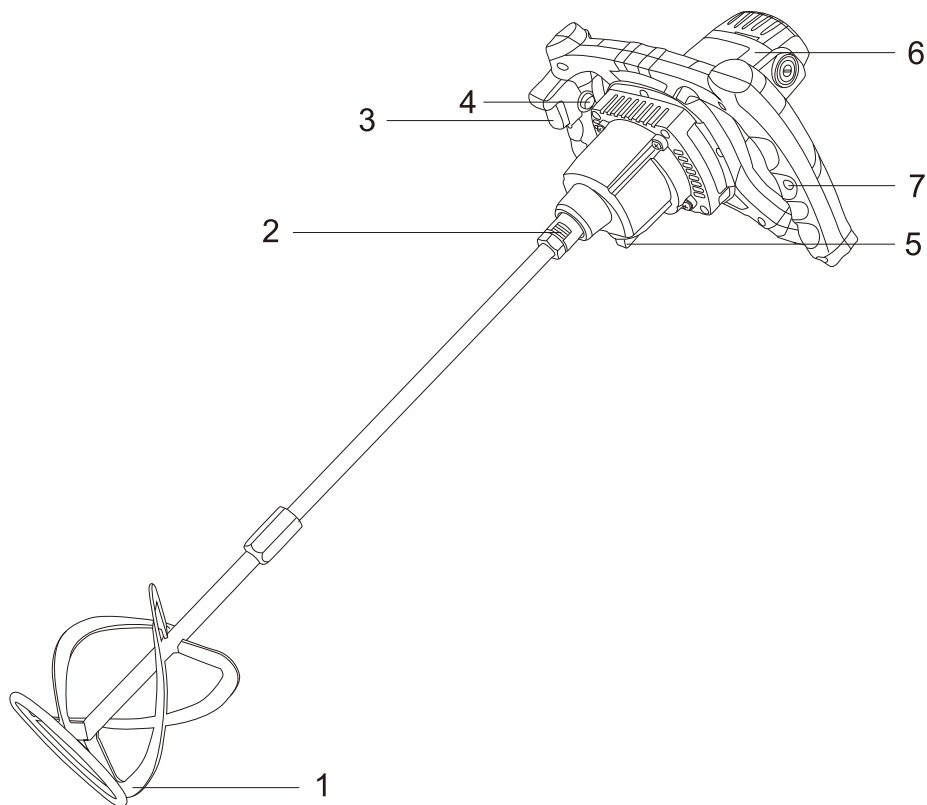
podmienkami týkajúcimi sa miestneho systému zberu elektrického a elektronického odpadu. Postupujte v súlade s miestnymi predpismi. Tento produkt nie je možné vyhodit spoločne s bežným domácim odpadom. Správne odstránenie starého výrobku zabraňuje prípadným negatívnym následkom na prírodné prostredie a na ľudské zdravie. Informácie o ochrane životného prostredia Balenie obsahuje len nevyhnutné súčasti. Bolo vyvinuté všetko úsilie, aby tri materiály tvoriace obal šlo ľahko oddeliť: lepenku (škatuľa), polystyrénovú penu (ochrana vnútra) a polyetylén (vrecká, ochranná fólia). Zariadenie bolo vyrobené z materiálov, ktoré sa dajú recyklovať a znovu použiť po ich demontovaní špecializovanou firmou. Dodržujte miestne predpisy týkajúce sa likvidácie obalových materiálov, použitých batérií a nepotrebných zariadení.



Výrobok bol vyprodukovaný z vysoko kvalitných materiálov a súčastok, ktoré možno recyklovať a znovu použiť.

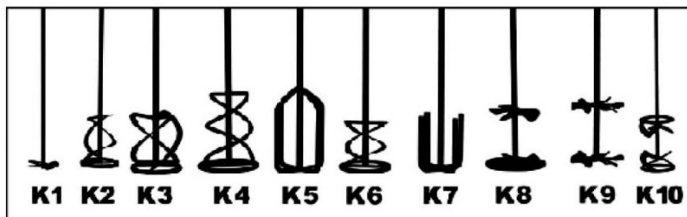
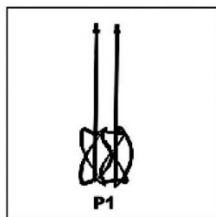
1. A készülék felépítése

- | | |
|------------------------------------|-------------------------------|
| 1. Keverőfej | 4. Kapcsoló reteszelőgomb |
| 2. Csatlakozó aljzat M14 keverőhöz | 5. Fordulatszám váltókapcsoló |
| 3. Kapcsoló | 6. Motorház |
| | 7. Sebességszabályozó gomb |



2. A keverőfej kiválasztása

Az egy keverőszerszámmal ellátott keverőkhöz alapfelszereltségként K3 keverőfejet szállítunk. Lehetőség van más, M14-es csavaros csatlakozóval rendelkező keverőfej (K1-k10 stb.) felszerelésére is.



3. A készülék tisztítása, karbantartása

A gép megfelelő karbantartása meghosszabbíthatja annak élettartamát; A fogantyú kapcsolónak mindig megfelelően kell működnie, és jól karbantartottnak kell lennie; A keverőszerszámokat kiöntés vagy hosszú ideig nem használt keverés után meg kell tisztítani; Általában folyó víz vagy kvarchomokkal jól meg lehet tisztítani a keverőszerszámokat.

A keverőtengelyt mindig védeni kell a szennyeződésektől;

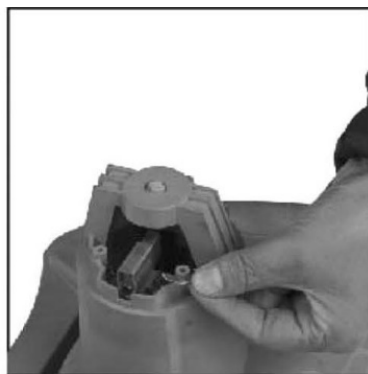
Mindig helyezzen védősapkát a hatszögletű foglalat nyílására;

A motorház szellőzését nem szabad eltakarni, amikor a gép működik, és a gépben nem lehetnek gyúlékony anyagok;

A szellőzőt gyakran ki kell tisztítani;



Picture.1



Picture.2

A szénkefét akkor kell ellenőrizni és karbantartani, ha a gép legfeljebb 60 órát üzemelt, a kefék időben ki kell cserélni, ha a szénkefe kopottnak bizonyul.

(1. ábra) Először válassza le a tápegységet, vegye le a motorházát.

(2. ábra) Húzza ki a lapot, és cserélje ki a szénkefét.

4. Összeszerelés és használat

A készüléket olyan keverőkkel kell felszerelni, amelyek M14-es külső menetes csatlakozóval rendelkeznek. A keverő behelyezése a készülékbe a következő lépésekben történik:

1. Húzza ki a csatlakozót az elektromos aljzatból, ha az be volt dugva.

2. Fordítsa el a készüléket úgy, hogy szabadon hozzáférjen a tokmányhoz.

3. Helyezze a keverő végét - a meneteset - a tokmány furatába, majd húzza meg.

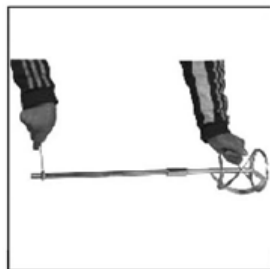
4. Fogja meg a tokmányt a mellékelt megfelelő csavarkulccsal, és húzza meg erősen a keverőfejet.



Picture.1



Picture.2



Picture.3



Picture.4



Picture.5

SEBESSÉGSZABÁLYOZÁS

A sebesség változtatására a bal oldali fogantyú belső oldalán található gomb (7. ábra) szolgál.

SEBESSÉGVÁLTÁS

A gomb (6. ábra) a fordulatszám megváltoztatására szolgál.

A fordulatszám megváltoztatásakor vegye figyelembe, hogy ez a művelet csak kikapcsolt állapotban végezhető el. Ellenkező esetben a fogaskerekek megsérülhetnek - ha a fogaskerekek váltásakor ellenállást tapasztal, fordítsa el kissé a tokmányt, hogy a fogaskerekek sikeresen összeérjenek.



(Picture 6)



(Picture 7)

BEKAPCSOLÁS/KIKAPCSOLÁS

A gép be-/kikapcsolója (3) a jobb oldali fogantyún található, és úgy van kialakítva, hogy megakadályozza a véletlenszerű bekapcsolást.

Az elektromos szerszám beindításához nyomja meg a reteszelőt (4), majd a bekapcsoló gombot (3). A készülék kikapcsol, amint a kapcsológombot elengedik (6).

Ne nyomja meg a bekapcsoló gombot (6) anélkül, hogy előbb kioldaná (lenyomná) a reteszelőt (5), mert az károsíthatja a készüléket.

Műszaki specifikációk:

Model	Em5010
Névleges feszültség	230 V~50 Hz
Névleges teljesítmény	1400 W
Névleges terhelés nélküli fordulatszám	0-600/min 0-900/min
Keverési átmérő	120 mm
Hangterhelési szint	LpA =92.0dB(A)
Hangteljesítményszint	LWA =103.0dB(A)
K bizonytalanság	K =3dB(A)
Maximális rezgésérték	3.157m/s ²
K bizonytalanság	K =1.5m/s ²

POMEMBNE INFORMACIJE

Prosimo, da za zagotovitev kar največjega zadovoljstva z napravo in njeno učinkovitostjo ter v cilju seznanitve z vsemi njenimi značilnostmi in funkcijami, pred začetkom dela z napravo preberete ta navodila za uporabo.

Pred začetkom uporabe naprave preberite navodila za uporabo in ravnajte skladno z v njih vsebovanimi navodili in opozorili. Proizvajalec ne odgovarja za nobeno škodo, nastalo zaradi uporabe naprave neskladno z njeno namembnostjo ali na nepravilen način.

Navodila za uporabo je treba varno shraniti, da bodo na voljo, če bodo morebiti potrebna v zvezi s kasnejšo uporabo izdelka.

- Naprava je namenjena uporabi izključljivo v gospodinjstvu. Uporabljati napravo izključljivo v skladu z namenom.
- Napravo se sme priključiti le na vtičnico, ki odgovarja opisu na podatkovni ploščici.
- Preveriti je treba, ali skupna poraba toka naprav, ki so priklopljene na stensko vtičnico ne presega maksimalne obremenitve varovalke.
- Le se uporablja podaljšek, je treba preveriti, ali skupna poraba moči naprav, ki so priklopljene na podaljšek, ne presega parametrov obremenitve podaljška. Žico podaljška je treba namestiti na način, ki izključuje naključno spotikanje.
- Napajalna žica ne sme biti obešena na robu mize ali police, isto tako ne sme se dotikati vročih površin.
- Napravo se ne sme upravljati z zunanjim časovnim stikalom, daljinskim upravljalnikom oz. drugo opremo, ki napravo lahko avtomatsko izklopi.
- Pred začetkom vzdrževalnih del je treba napravo nujno izklopiti iz napajanja.
- Med odstranjevanjem napajalne žice je treba vedno držati za vtičnico. Nikoli
 - ne vleci za kabel, ker na ta način se lahko poškoduje vtičnica oz. kabel, v skrajnih primerih pa celo pride do smrtonosnega električnega udara.
 - Ko je naprava priklopljena na vtičnico, je ne smete pustiti brez nadzora.
- Naprave na dati v vodo ali kakšno drugo tekočino.
- Napravo je treba redno čistiti, skladno s priporočili, ki jih določa poglavje o Čiščenju in vzdrževanju.

- Naprave na nameščati v bližini virov toplote, plamena, električnega grelca oz. na vroči pečici. Naprava se ne sme nahajati na kakšni drugi napravi.
- Napravo lahko uporabljajo otroki od 8 let starosti, fizično omejene, duševno motene osebe ter ljudje, ki nimajo izkušenj s tovrstno opremo, vendarle samo takrat, ko jim je zagotovljen nadzor oz. usposabljanje glede varne uporabe, tako da se seznanijo z morebitnimi tveganji. Otroki se ne smejo igrati z napravo. Otroki ne smejo čistiti in vzdrževati naprave brez nadzora odraslih.
- Če so v bližini naprave ali hišni ljubimčki, je treba med uporabo aparata biti posebno pozoren. Otroki se ne smejo igrati z napravo.
- Naprave ne uporabljati v bližini vnetljivih snovi.
- Naprave ne izpostavljati vremenskim razmerjem (dež, sonce in drugo) ter ne uporabljati v pogojih povišane vlažnosti (kopalnica, vlažne kemping hiše).
- Občasno je treba preveriti stanje napajalne žice. V primeru, ko pride do poškodbe napajalne žice, jo je treba zamenjati pri proizvajalcu oz. v pooblaščenem servisnem podjetju, da se preprečijo morebitne nevarnosti.
- Ne uporabljati naprave, ko sta napajalna žica ali vtičnica pokvarjena, ko je naprava na katerikoli drugi način poškodovana oz. njeno delovanje ni pravilno. Naprave ne popravljajte sami (nevarnost električnega udara). Poškodovano napravo dostavite v pristojno servisno podjetje, kjer bo le-ta pregledana in po potrebi popravljena. Kakršnakoli popravila naj opravljajo samo pooblaščen servisna podjetja. Neustrezno popravilo predstavlja veliko nevarnost za uporabnika.
- Uporabljajte samo originalne oz. s strani proizvajalca priporočene dodatke in pripomočke. Uporaba neustreznih dodatkov lahko privede do poškodbe naprave ter nevarnosti za človekovo zdravje.
- Skrbite za red na delovnem mestu in za njegovo dobro osvetljenje.
- Nered in nezadostna osvetljenje sopovzročata nesreče.
- Ne uporabljajte električnega orodja v potencialno eksplozivnem okolju, tj. v bližini vnetljivih tekočin, plinov ali prahu.

- Trenutek nepazljivosti lahko povzroči izgubo kontrole nad orodjem.
- Če obstaja možnost montaže orodja za odsesavanje ali zbiranje prahu, preverite, ali so ta orodja nameščena in ali pravilno delujejo. Uporaba takšnih dodatnih električnih orodij zmanjša nevarnost, ki jo ustvarja prisotnost prahu.
- Ne nagibajte se predaleč z električnim orodjem v rokah. Ohranjajte stabilno držo in ravnotežje. Tako boste ohranili kontrolo nad električnim orodjem v nepredvidenih situacijah.
- Preprečujte možnost nenamerne zagona električnega orodja. Pred priklopom električnega orodja na električno omrežje se prepričajte, da je vklopno stikalo v položaju OFF. Prenašanje električnega orodja s prstom na sprožilcu ali priklop električnega orodja na omrežje po predhodnem vklopu stikala na napravi lahko povzroči nesrečo.
- Nosite primerna oblačila. Za delo ne uporabljajte ohlapnih oblačil in med delom ne nosite nakita. Držite lase, oblačila in rokavice stran od gibljivih delov. Premični deli električnega orodja lahko zagrabiijo za dele takih ohlapnih oblačil, za nakit ali dolge lase ter jih potegnejo v napravo.
- Pred zagonom električnega orodja odstranite iz njega vse ključe. Orodje ali ključ, ki ostane priklopljen na vrtljivi del električnega orodja, lahko povzroči telesne poškodbe.
- Pri delu z električnim orodjem bodite previdni, osredotočeni na izvajano delo ter miselno in zdravorazumsko prisotni. Ne sme se uporabljati električnega orodja v primeru utrujenosti ali pod vplivom drog, alkohola ali zdravil. En sam trenutek nepazljivosti med uporabo električnega orodja lahko povzroči hudo nesrečo.
- Skrbite za to, da bodo otroci stran od delovnega območja in NE dovoljajte, da bi otroci vlekli za napajalni kabel – to lahko povzroči hude telesne poškodbe.
- Električno orodje vedno postavljajte in uporabljajte na stabilni, ploski in vodoravni površini.
- Pred izvedbo kakršne koli ponastavitve, menjave pribora ali pred odložitvijo električnega vedno prej izklopite napravo s stikalom, da lahko potem električno orodje odklopite od vira napajanja. Takšno previdnostno ravnanje zmanjša nevarnost nenamerne zagona električnega orodja.

- Pred vsako uporabo je treba preveriti, ali ohišje morda ni poškodovano.
- Prepričati se je treba, da v prezračevalnih odprtinah ni usedlin.
- Napravo se sme uporabljati samo v suhem, dobro osvetljenem okolju.
- Tega orodja ne smejo uporabljati osebe, mlajše od 16 let.
- Naprava je namenjena samo za uporabo na prostem. Ne sme se je uporabljati za druge namene, neskladne z njeno namembnostjo.
- Raven hrupa med delovanjem naprave lahko preseže 85 dB (A); uporabljati zaščito za sluh.

Električni mešalec - varnostna opozorila

Mešalnik in mešalec nista primerna za pripravo hrane za ljudi in živali. Z napravo je mogoče mešati izključno snovi in materiale za gradbene namene.

- Osnovni del naprave in orodja ne izpolnjujejo higienskih standardov za obdelavo živil.
 - b) Ne uporabljati za mešanje lahko vnetljivih ali eksplozivnih snovi.
- Med delovanjem mešalnika se v pogonskem motorju pojavijo iskre, ki lahko vnamejo hlape mešanih snovi.
 - c) Pred mešanjem gradbenih materialov se je treba seznaniti z navodili za uporabo ali varnostnim listom (MSDS).
- Nekateri materiali ali kemijske snovi so lahko nevarni za zdravje ali življenje ljudi. Te materiale in snovi lahko zahtevajo izpolnjevanje določenih pogojev.
 - d) Med mešanjem materialov izven rezervoarja je treba z obema rokama držati za izolirana ročaja električnega orodja.
- Vedno obstaja tveganje, da naprava med delom naleti na skrite električne vode pod napetostjo. Ostri robovi nekaterih mešalcev utegnejo poškodovati ali prerezati električni vod, kar lahko privede do električnega udara.
 - e) Med mešanjem pazite na položaj napajalnega kabla

- mešalnika - kabel se ne sme nahajati v bližini vrtečega se orodja (mešalca).
- Napajani kabel električnega orodja se mora nahajati izven delovnega območja mešalca, ki ga lahko poškoduje ali prereže in tako povzroči nevarnost električnega udara.
 - f) Rezervoar za mešanje mora stati na ravni in zanesljivi podlagi tako, da se med mešanjem ne nagne in ne niha.
 - Neobvladljivo gibanje rezervoarja med mešanjem je lahko nevarno.
 - g) Električno orodje zanesljivo držite z obema rokama za izolirana ročaja. Ob tem ohranite stabilno držo telesa.
 - h) Če se električno orodje preveč umaže z gradbenim materialom, npr. pade v rezervoar z zmesjo, takoj izklopite mešalnik in ga odklopite iz električnega omrežja;
 - Ne uporabljajte električnega orodja, če je v njegovo notranjost prodrla voda ali sestavine zmesi. Tako lahko poškodujete napravo in povzročite hudo nevarnost električnega udara.
 - i) Med mešanjem tekočin pazite, da kapljice ne padejo v notranjost električnega orodja.
 - Vdor tekočine v notranjost orodja predstavlja nevarnost električnega udara.
 - m) Če se med mešanjem delovno orodje (mešalec) zaklene, takoj izklopite mešalnik. Ob tem pazite na vzvratni sunek, ki lahko iztrga napravo z operatorjevih rok.
 - Z uporabo pokvarjenega delovnega orodja, npr. deformiranega mešalca, oz. z uporabo prevelike obremenitve operater lahko povzroči nevarnost.
 - k) Mešalnik ni primeren za pritrditev na stojala, opore in dr.
 - Napravo vedno zanesljivo držite z obema rokama.
 - l) Hitrost vrtljajev (I oz. II prestava) lahko spremenite le, ko je naprava izklopljena.
 - Spreminjanje hitrosti vrtljajev, ko je naprava vklopljena, lahko privede do okvare naprave. Navedena vrednost vibracij je izmerjena po standardih postopkih in se lahko spreminja odvisno od načina uporabe električnega orodja. V izrednih primerih lahko presega navedeno vrednost.

Dolgotrajna izpostavljenost vibracijam lahko privede do nastanka simptomov, ki spominjajo na ozeblino. Gre predvsem za občutek zbadanja in pečenja prstov, kakor tudi prekomerna bledost rok.

Ti simptomi kažejo na to, da je operater napravo uporabljal predolgo.

Da se izognete negativnemu vplivu vibracij na roke, upoštevajte spodaj navedena osnovna načela:

- delovni dan mora vključevati redne premore, med katerimi je priporočeno opravljati druga dela,
- med premori izvajajte vaje za roke in ramena, da izboljšate kroženje kri,
- nosite zaščitne rokavice, ki dodatno ščitijo pred negativnimi vplivi vibracij,

Če se kljub upoštevanju zgoraj navedenih priporočil počutite slabo, npr. imate napihnjene ali blede prste, oz. ne čutite prstov, takoj poiščite zdravniško pomoč.

Poleg tega:

- izogibajte se nepravilni drži telesa (neprimerno težišče) z nenaravno lego zapestij,
- redno si privoščite premor, da se izognete ponavljanju obremenitve,
- če se pojavijo simptomi utrujenosti dlani in rok ali bolečina, poiščite zdravniško pomoč.

Vzvratni sunek:

- Vzvratni sunek ne nenaden in neobvladljiv odziv naprave na zagozditev ali zaklenitev delovnega orodja. Zagozditev ali zaklenitev privede do nenadne ustavitve vrtečega se orodja, kar povzroča nepričakovan sunek.
- Vzvratni sunek je posledica neprimerne ali napačne uporabe naprave in neupoštevanja varnostnih načel iz navodil za uporabo.

Preprečevanje vzvratnega sunka:

- Napravo držite čvrsto in zanesljivo, položaj rok in drža telesa naj onemogočajo nastanek sunka oz. ga blažijo, če že nastane.
 - Roke držite stran od vrtečih se delovnih orodij.
- V primeru okvare takoj prenehajte z delom in odklopite

napravo od vira napajanja. Nato ugotovite vzrok okvare in po potrebi posredujte napravo pooblaščenemu servisu. Prepovedana je uporaba pokvarjenega delovnega orodja, npr. deformiranih ali pokvarjenih mešalcev. To lahko preobremenjuje napravo in povzroča nevarnost. Mešalnik ni primeren za trajno pritrditev na stojalih, oporah ali nosilcih. Napravo zanesljivo držite z obema rokama za izoliran ročaj. Hitrost vrtljajev lahko spremenite z za to namenjenim stikalom. To lahko storite še le, ko je naprava izklopljena. Spreminjanje hitrosti vrtljajev, ko je naprava vklopljena, lahko privede do okvare naprave.

	Pred vklopom naprave preberite navodila za uporabo in vsa varnostna opozorila.		Nositi zaščitno obutev
	Izdelek izpolnjuje zahteve varnostnih standardov ES		Nositi zaščito za sluh
	Ne izpostavljati naprave dežju in vlagi.		Nositi zaščitne rokavice
	Izdelek odstraniti v skladu s predpisi direktive WEEE		Nositi zaščitno obleko
	Nositi zaščitna očala		Nositi zaščitno masko

UPORABLJATI SREDSTVA OSEBNE ZAŠČITE

- Uporabljati zaščitna očala v skladu s standardom En166
- Uporabljati zaščitne maske v skladu s standardom En149
- Uporabljati druga natančno prilagojena sredstva osebne zaščitne, odvisno od vrste opravljanega dela.

CE Naprava je skladna z zahtevami smernic Evropske unije:

- Niskonapetostne električne instalacije - Low voltage directive (LVD)
- Elektromagnetna združljivost - Electromagnetic compatibility (EMC)

Izdelek označen s CE na podatkovni ploščici.



Če se na napravi nahaja oznaka - prekrizan zabojnik za odpadke, to pomeni, da za izdelek veljajo določila evropske smernice 2012/19/EU. Seznaniti se je treba z lokalnimi zahtevami

za zbiranje električnih ter elektronskih odpadkov. Ukrepiti je treba v skladu z lokalnimi predpisi. Izdelka se ne sme odstranjevati skupaj z navadnimi odpadki. Ustrezno odstranjevanje starega izdelka pomaga izključiti morebitne negativne učinke na okolje in človekovo zdravje.

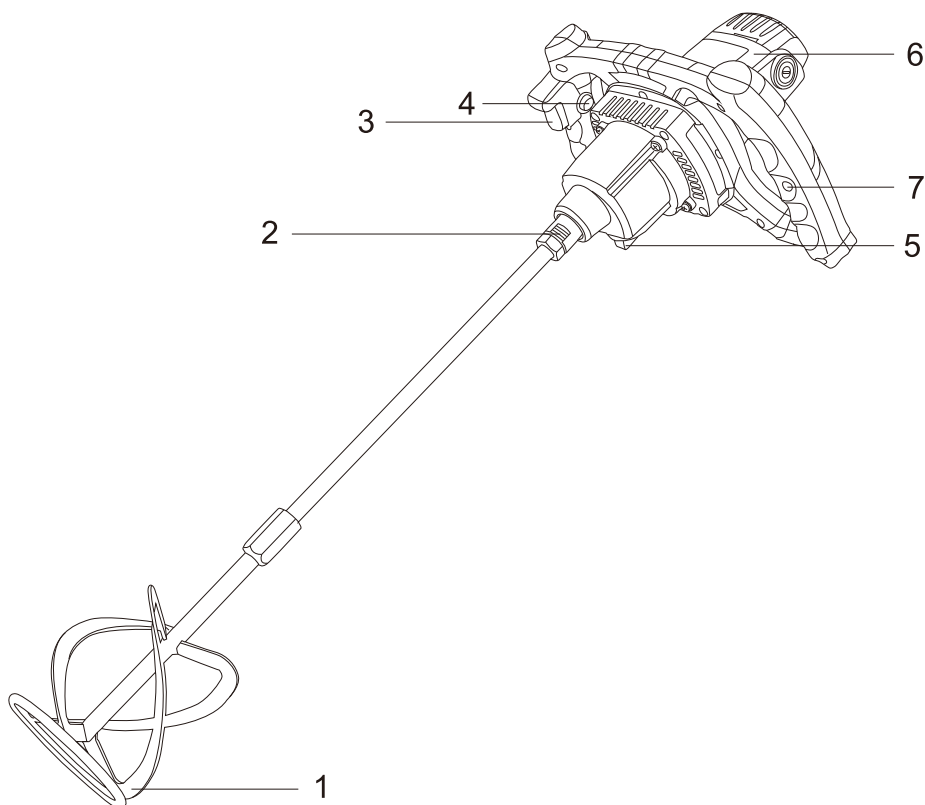
Podatki za varovanje okoljaKomplet vsebuje samo potrebne elemente. Prizadevali smo si, da bodo vsi tri elementi embalaže lahko odstranljivi: karton (škatla), polistirenska pena (zunanja zaščita) in polietilen (vreče, zaščitni plast). Naprava izvedena iz materialov, ki se lahko reciklirajo, ter jih lahko po demontaži s strani strokovnega podjetja ponovno uporabljamo. Upoštevati je treba lokalne predpise za odstranjevanje embalaž, porabljenih baterij ter nepotrebnih naprav.



Naprava izdelana iz visokokakovostnih materialov ter komponent, ki se lahko reciklirajo in ponovno uporabijo.

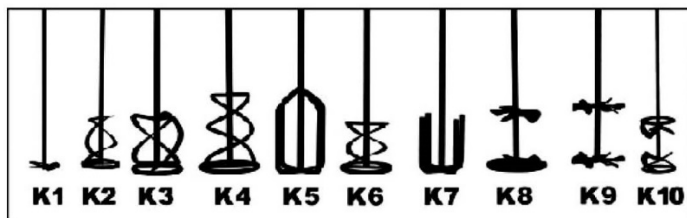
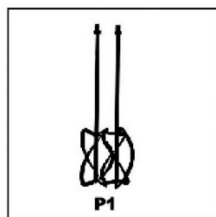
1. Konstrukcija naprave

- | | |
|----------------------------|-----------------------------------|
| 1. Mešalec | 4. Gumb blokade stikala |
| 2. Vtičnica za mešalec M14 | 5. Stikalo za spremembo hitrosti |
| 3. Tipka za vklop | 6. Ohišje motorja |
| | 7. Gumb za nastavljanje vrtljajev |



2. Izbira mešalca

Mešalnikom z enojnim mešalnim orodjem prilagamo mešalce K3. Obstaja možnost namestitve drugih mešalcev, ki uporabljajo vijačne spoje M14 (K1-k10 in podobno).



3. Čiščenje in vzdrževanje naprave

Pravilno vzdrževanje naprave podaljša njeno življenjsko dobo. Stikalo na ročaju ne sme biti poškodovano ali umazano. Mešalna orodja očistite po končanem zalivanju oz. če jih dalj časa ne uporabljate. Orodja lahko čistite z vodo ali kremenovim peskom.

Mešalni cilindar mora biti vedno zaščiten pred umazanijo.

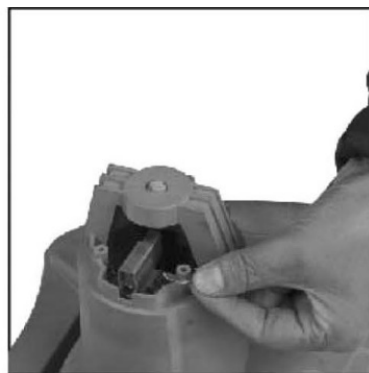
Na odprtino šesterokotne vtičnice namestiti ščitnik.

Prezračevalne odprtine na ohišju motorja ne smejo biti med delom prekrite. V napravi se ne smejo nahajati nobene lahko vnetljive snovi.

Pogosto očistite odprtino za izpust zraka;



Picture.1



Picture.2

Ogljeno ščetko preverjajte in vzdržujte. Po 60 urah dela ščetko zamenjajte - če ugotovite, da je obrabljena.

(Slika 1) Preden snamete ohišje motorja, odklopite naprava od napajanja.

(Slika 2) Odstranite ploščice in zamenjajte ogljeno ščetko.

4. Montaža in uporaba

S to napravo uporabljajte mešalce opremljene z priključkom z zunanjim navojem M14. Za namestitev mešalca sledite naslednjim korakom:

1. Potegnite vtič iz električne vtičnice, če je bil priključen.
2. Napravo obrnite tako, da zagotovite prost dostop do vretena.
3. Konico mešalnika - z navojem - namestite v odprtini na vretenu, nato privijte.
4. S priloženim ključem pridržite vreteno in tesno zategnite mešalnik.



Picture.1



Picture.2



Picture.3



Picture.4



Picture.5

PRILAGAJANJE VRTLJAJEV

Hitrost vrtljajev nastavite z gumbom (Slika 7) na notranji strani levega ročaja.

SPREMEMBA HITROSTI

Za spremembo navora uporabite gumb (Slika 6).

Ob spremembi vrednosti navora ne pozabite, da to lahko storite, ko je naprava izklopljena. Drugače lahko pride do poškodovanja prestave - če ob spremembi hitrosti zaznate upor, rahlo obrnite vreteno tako, da se zobniki najdejo na pravih mestih.



(Picture 6)



(Picture 7)

VKLOP / IZKLOP

Stikalo za vklop/izklop (3) naprave nahaja se na desnem ročaju in je oblikovan tako, da onemogoča nenameren vklop.

Za vklop električnega orodja pritisnite blokado (4) in nato stikalo (3). Naprava se izklopi ob sprostitvi stikala (6).

Ne pritiskati stikala (6), ne da bi prej sprostiti (pritisnili) blokado (5). S takim ravnanjem lahko poškodujete napravo.

Tehnična specifikacija:

Model	Em5010
Nazivna napetost	230 V~50 Hz
Nazivna moč	1400 W
Nazivno število vrtljajev brez obremenitve	0-600/min 0-900/min
Premer mešalca	120 mm
Raven zvočnega tlaka	LpA =92.0dB(A)
Raven zvočne moči	LWA =103.0dB(A)
Negotovost K	K =3dB(A)
Maksimalne vibracije	3.157m/s ²
Negotovost K	K =1.5m/s ²

VAŽNA INFORMACIJA

Kako biste postigli najveće zadovoljstvo, uživali u učinkovitosti proizvoda i naučili sve njegove karakteristike i funkcije, pročitajte ove upute prije korištenja ovog proizvoda.

Prije uporabe uređaja pročitajte upute za uporabu i slijedite smjernice sadržane u njima. Proizvođač ne preuzima odgovornost za štete nastale nenamjenskim korištenjem uređaja.

Sačuvajte sve sigurnosne napomene i upute za buduću uporabu.

- Uređaj se koristi samo za domaću upotrebu. Ne koristiti za druge svrhe, koje nisu u skladu sa svojom namjenom.
- Uređaj mora biti priključan isključivo u utičnicu s obilježjima u skladu s vrijednostima na tipskoj pločici.
- Pobrinite se da ukupna potrošnja energije svih uređaja priključenih na zidnu utičnicu ne prelazi maksimalno opterećenje osigurača.
- Ako koristite produžni kabel, provjerite da ukupna potrošnja energije uređaja koji su priključeni na produžni kabel ne prekorači parametra njegovog opterećenja. Žicu produžnog kabela treba smjestiti na takav način da se izbjegnju slučajne udarce i okidanje.
- Nemojte dopustiti da kabel napajanja visi na rubu stola ili police ili dodira vruće površine.
- Uređaj nije namijenjen za upravljanje preko vanjskog timera, odvojenog daljinskog upravljača, ili druge opreme koja može automatski uključiti uređaj.
- Prije radova održavanja treba uvijek bezuvjetno isključiti uređaj iz jedinice napajanja.
- Prilikom isključivanja kabela za napajanje uvijek ga izvući iz utičnice držeći utikač. Nikad ne iskopčajte strujni kabel povlačenjem kabela jer bi to moglo dovesti do oštećenja utikača ili kabela, u ekstremnim slučajevima može čak dovesti do fatalnog strujnog udara.
- Ne ostavljajte opremu uključenu u utičnicu bez nadzora.
- Ne uranjajte uređaj u vodu ili neku drugu tekućinu.
- Uređaj treba redovito čistiti u skladu s preporukama opisanima u odjeljku o čišćenju i održavanju.
- Ne postavljajte uređaja blizu izvora topline, plamena, električnog grijaćeg elementa ili na vrućoj peći. Nemojte stavljati na bilo kojem drugom uređaju.

- Ovu opremu mogu koristiti djeca od najmanje 8 godina, osobe sa smanjenim fizičkim, mentalnim mogućnostima i ljudi s nedostatkom iskustva i znanja, ako će se osigurati nadzor ili instruktažu u vezi s upotrebom opreme na siguran način, da bi dobro razumijeli povezani rizici. Djeca ne mogu se igrati opremom. Djeca bez nadzora ne mogu čistiti i održavati opremu.
- Budite oprezni prilikom korištenja uređaja kada u blizini ima djece ili kućnih ljubimaca. Nemojte dopustiti djeci da se igraju s uređajem.
- Ne upotrebljavajte uređaja u blizini zapaljivih materijala.
- Nemojte izlagati uređaj vremenskim uvjetima (kiša, sunce, itd) i nemojte koristiti u uvjetima visoke vlage (kupaonice, vlažne kabine).
- Povremeno provjeravajte status kabela napajanja. Ako je neodvojivi kabel za napajanje oštećen treba ga zamijeniti kod proizvođača ili u specijalističkoj servisnoj radionici ili kod kvalificirane osobe radi izbjegavanja opasnosti.
- Ne koristite uređaj s oštećenim kablom za napajanje ili utikačom ako su pale ili su oštećene na bilo koji način ili nepravilno rade. Nemojte samostalno popravljati uređaj jer to može uzrokovati strujni udar. Neispravan uređaj donesi u odgovarajući servisni centar za provjeravanje ili popravak. Potrebni popravci mogu se izvršavati samo od strane ovlaštenih servisa. Nepravilan popravak može dovesti do ozbiljnih opasnosti za korisnika.
- Koristite samo originalni pribor za uređaj ili preporučen od strane proizvođača. Koristanje pribora koji nisu preporučeni od strane proizvođača može dovesti do oštećenja uređaja i ugroziti sigurnost korištenja.
- Održavajte radno područje dobro osvijetljenim.
- Nered ili tamna područja izazivaju nesreće.
- Ne rukujte električnim alatima u eksplozivnoj atmosferi, na primjer u prisutnosti zapaljivih tekućina, plinova ili prašine.
- U slučaju nepažnje možete izgubiti kontrolu nad električnim alatom
- Ako je moguće montirati usisivač i sustav za prihvatanje prašine, morate ih priključiti i ispravno koristiti. Uporaba usisivača može smanjiti opasnost zbog prašine.
- Izbjegavajte neprirodan položaj tijela. Pobrinite se da čvrsto stojite i održavajte ravnotežu u svakom trenutku. Na taj ćete

način moći bolje kontrolirati električni alat u neočekivanim situacijama.

- Izbjegavajte nehотиčno uključivanje uređaja. Uvjerite se da je električni alat isključen (OFF) prije nego ga priključite na napajanje. Ako prilikom nošenja električnog alata prst držite na sklopci ili priključite napajanje uključenog uređaja, može doći do nezgode.
- Nosite prikladnu odjeću. Ne nosite široku odjeću ili nakit. Kosu i odjeću držite podalje od pokretnih dijelova. Pokretni dijelovi mogu zahvatiti labavu, široku odjeću, nakit ili dugu kosu.
- Alat za namještanje ili ključeve za matice uklonite prije uključivanja električnog alata. Alat ili ključ koji se nalazi u rotirajućem dijelu električnog alata mogu uzrokovati ozljede.
- Budite oprezni, pazite što radite i koristite zdrav razum pri rukovanju električnim alatom. Ne koristite električni alat dok ste umorni ili pod utjecajem droga, alkohola ili lijekova. Trenutak nepažnje tijekom rada s električnim alatom može dovesti do ozbiljnih ozljeda.
- Držite djecu podalje od radnog područja i NEMOJTE dopustiti djeci da vuku kabel za napajanje - to može uzrokovati ozbiljne ozljede.
- Električni alat uvijek postavljajte i koristite na stabilnoj i ravnoj površini.
- Prije bilo kakvih podešavanja, promjene pribora ili spremanja električnih alata, okrenite prekidač za napajanje u položaj isključeno kako biste isključili električni alat iz izvora napajanja. Takve preventivne mjere smanjuju rizik od slučajnog pokretanja električnog alata.
- Prije svake uporabe provjerite ima li oštećenja na kućištu.
- Provjerite jesu li otvori za ventilaciju bez ostatke.
- Uređaj se smije koristiti samo u suhom, dobro osvijetljenom okruženju.
- Ovaj alat ne smiju koristiti osobe mlađe od 16 godina.
- Uređaj je namijenjen samo za vanjsku upotrebu. Nemojte koristiti u druge svrhe koje nisu u skladu s njegovom namjenom.
- Vrijednost buke tijekom rada može premašiti 85 dB (A); nositi zaštitu sluha.

Mješalica - sigurnosna upozorenja.

Mikser i mješalica nisu namijenjeni za pripremu hrane za ljude ili

životinje. Miješamo samo tvari i materijale koji se koriste u gradnji.

- Tijelo uređaja, kao i alati koji se koriste, ne zadovoljavaju higijenske standarde potrebne za obradu hrane.
 - b) Uređaj se ne može koristiti za miješanje zapaljivih ili eksplozivnih tvari.
- U porivnom stroju tijekom rada stvaraju se električne iskre koje mogu zapaliti pare pomiješanih tvari.
 - c) Prije miješanja građevinskih materijala, pročitajte njihov priručnik za upotrebu ili Sigurnosno-tehnički list (MSDS).
- Neke vrste materijala ili kemikalija opasne su za zdravlje ili ljudski život i proces njihova miješanja mogu biti podložni ispunjenju određenih uvjeta.
 - d) Držite objema rukama izolirane ručke električnog alata kada miješate materijale izvan spremnika.
- Uvijek postoji rizik da se tijekom rada mogu pronaći skrivene električne žice pod naponom. Oštri rubovi nekih mješalica mogu se lako oštetiti ili prerezati električnu žicu, što može izazvati strujni udar.
 - e) Prilikom miješanja materijala pazite na položaj vodiča za napajanje miješalice tako da ne bude u blizini rotirajućeg radnog alata (miksera).
- Vodič za napajanje električnog alata mora ležati izvan radnog područja miješalice, što ga može oštetiti ili prerezati, a time predstavljati opasnost strujnog udara.
 - f) Spremnik u kojem se materijali miješaju treba postaviti na ravnom podu tako da se pri miješanju ne naginje i zatrese.
- Nekontrolirano kretanje spremnika tijekom miješanja može dovesti do opasnih situacija.
 - g) Držite električni alat čvrsto i sigurno objema rukama na izoliranim ručkama i držite ga u stabilnom položaju.
 - h) Ako je električni alat zaprljan miješanim materijalom, npr. nakon pada u spremnik s smjesom, odmah isključite mješalicu i isključite nju iz električne mreže.
- korištenje električnog alata s vodom ili smjesom unutra, može dovesti do uništenja uređaja i također predstavlja

opasnost od strujnog udara.

- i) Prilikom miješanja tekućina i fluida, nemojte dopustiti da kapljice uđu u unutrašnjost električnog alata.
- Tekućine ili fluidi koje uđu u električni alat mogu uzrokovati strujni udar.
- j) Ako se radni alat (mikser) zaglavi tijekom miješanja, odmah isključite miješalicu. Pri tome obratite pozornost na rezultirajuću silu trzaja, koja može dovesti do istrgnuća uređaja iz ruku operatera.
- Korištenjem neispravnih radnih alata, npr. krivih miksera, ili dopremanjem ako je oprema preopterećena, operater može stvoriti opasnu situaciju.
- k) Mješalica nije predviđena za montažu na postolja, nosače itd.
- Električni alat uvijek držite u rukama i čvrsto ga držite objema rukama.
- l) Imajte na umu da mijenjanje brzine s prekidačem brzine (1. ili brzina), može se izvoditi samo s isključenim uređajem.
- Promjena brzine vrtnje dok uređaj radi može ga oštetiti. Navedena vrijednost emisije vibracija izmjerena je prema standardiziranim postupcima i može varirati ovisno o tome kako se električni alat koristi. U iznimnim slučajevima može biti izvan zadane vrijednosti. Dugotrajna izloženost vibracijama na rukama operatera može izazvati slične ozljede do ozeblinu. To je prije svega peckanje ili pečenje u prstima, kao i pretjerano bljedilo ruke. Ovi simptomi pokazuju da je električni alat predugo korišten. Kako bi se izbjegao rizik od negativnih učinaka vibracija na ruke operatera, potrebno je slijediti neka osnovna pravila:
 - dnevno vrijeme rada s električnim alatom treba se sastojati od redovitih pauza, tijekom kojih je preporučljivo obavljati druge aktivnosti,
 - u pauzama izvoditi vježbe za dlanove i ruke za poboljšanje cirkulacije,
 - nosite zaštitne rukavice koje dodatno štite od negativnog djelovanja vibracija,
 Ako se, unatoč pridržavanju gore navedenih preporuka,

rukovatelj osjeća loše, npr. pojavi se oteklina, prsti pobiljede ili izgube osjet, odmah potražite savjet liječnika.

Osim toga, trebali biste:

- Izbjegavajte zauzimanje neudobnog položaja (npr. kroz neporavnatu točku ravnoteže) u kojem zapešća su neprirodno uvrnuta,
- koristiti redovite pauze kako bi se smanjio učinak ponovljenog opterećenja,
- ako imate bilo kakve simptome umora dlanove i ruke ili bilo kakvu bol, obratite se potražite savjet liječnika.

Pojava povratnog udara:

- To je iznenadna, nekontrolirana reakcija uređaja na zaglavljenu ili zaglavljenu radni alat. Zastoj ili blokiranje dovodi do naglog zaustavljanja rotirajućeg alata, što dovodi do oštrog trzaja alata.

- Pojava povratnog trzaja rezultat je nepravilne ili neispravne uporabe uređaja i nepridržavanja sigurnosnih postupaka navedenih u priručniku za uporabu uređaja.

Metode sprječavanja pojave povratnog udara:

- Uređaj treba držati snažno i sigurno, a položaj ruku i tijela treba spriječiti pojavu trzaja, odnosno ublažiti ovu pojavu u slučaju njene pojave,

- Držite ruke podalje od rotirajućih radnih alata.

U slučaju kvara uređaja odmah prekinuti rad i isključiti uređaj iz izvora napajanja. Zatim provjerite uzrok kvara i po potrebi odnesite uređaj u ovlaštenu servis.

Zabranjeno je koristiti neučinkovite radne alate, npr. krive ili oštećene miksera, jer to može dovesti do preopterećenja uređaja i posljedično opasnih situacija.

Mješalica nije dizajnirana za trajno pričvršćivanje na različite vrste postolja, nosača ili okvira.

Uvijek držite uređaj objema rukama, čvrsto držeći izoliranu ručku.

Promjena brzine s prekidačem brzine smije se vršiti samo s isključenim uređajem i ugašenim motorom.

Promjena brzine vrtnje dok uređaj radi može ga oštetiti.

	Prije pokretanja pažljivo pročitajte upute za uporabu i sva sigurnosna pravila.		Nosite zaštitnu obuću
	Proizvod ispunjava zahtjeve sigurnosnih standarda EU-a		Koristite zaštitu za uši
	Ne izlažite uređaj kiši ili vlazi.		Nosite zaštitne rukavice
	Odložite proizvod u skladu s odredbama WEEE direktive		Nosite zaštitnu odjeću
	Nosite zaštitne naočale		Nosite zaštitnu masku

KORISTITE OSOBNU ZAŠTITINU

- Koristite zaštitne naočale sukladno normi En166
- Koristite zaštitne maske sukladno normi En149
- Koristite drugu preciznu osobnu zaštitnu opremu, ovisno o vrsti posla.



Uređaj je kompatibilan sa zahtjevima direktiva EU:

- Niskonaponski električni uređaj - Low voltage directive (LVD)
- Elektromagnetska podudarnost - Electromagnetic compatibility (EMC) Proizvod označen CE na natpisnoj pločici



Ako uređaj ima znak prekrštenog kontejnera za smeće, to znači da je proizvod pokriven odredbama Europske direktive 2012/19/EU. Molimo pogledajte zahtjeve lokalnog sustava za prikupljanje električnog i elektroničnog otpada. Postupajte u skladu s lokalnim propisima. Ne bacajte ovaj proizvod zajedno s kućnim otpadom. Pravilno odlaganje isluženog uređaja će spriječiti potencijalne negativne posljedice za prirodni okoliš i ljudsko zdravlje.

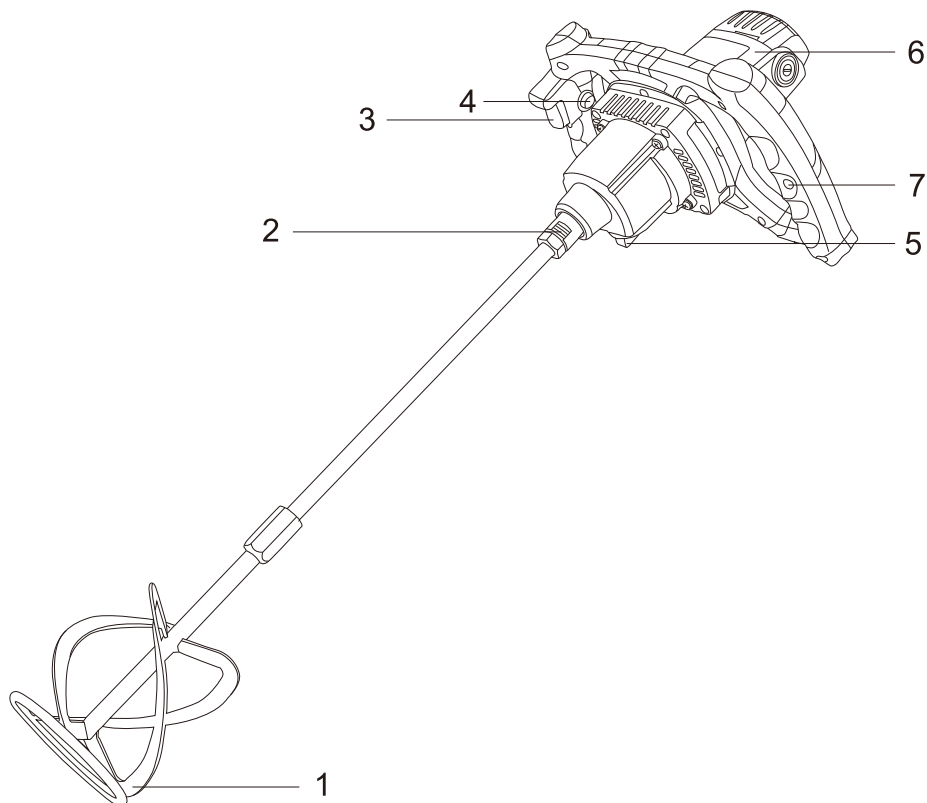
Informacije o zaštiti okoliša Paket uključuje samo neophodne elemente. Pobrini smo se da tri komponente materijala za pakiranje lako se odvajaju: karton (kutija), polistirenska pjena (zaštita iznutra) i polietilen (vrećice, zaštitna folija). Uređaj izrađen od materijala koji se mogu reciklirati i ponovo upotrijebiti nakon demontaže od strane specijalizirane tvrtke. Poštujte lokalne propise o odlaganju ambalaže, iskorištenih baterija i nepotrebne opreme.



Proizvod je izrađen od visokokvalitetnih materijala, koji se mogu reciklirati i ponovo upotrijebiti.

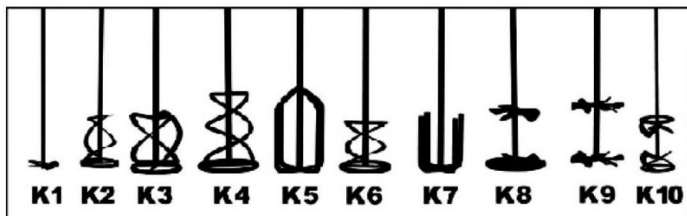
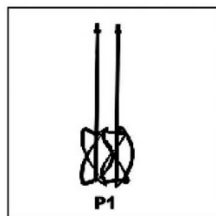
1. Konstrukcija uređaja

1. Miješalica
2. Prikjučna kutije za miješalicu M14
3. Prekidač
4. Gumb za zaključavanje prekidača
5. Prekidač mjenjača
6. Okvir motora
7. Gumb za kontrolu brzine



2. Izbor miješalice

Isporučujemo K3 miješalice kao standardnu opremu za mješalice s jednim alatom. Moguće je montirati i druge miješalice pomoću vijčanog spoja M14 (K1-k10 itd.).



3. Čišćenje i održavanje uređaja

Pravilno održavanje alata može produžiti njegov životni vijek; Prekidač ručke mora uvijek ispravno raditi i mora se dobro održavati; Alat za miješanje treba očistiti nakon što je izlivanje završeno ili se ne koristi dulje vrijeme; Obično tekuća voda ili kvarcni pijesak mogu dobro očistiti alate za miješanje. Osovina za miješanje uvijek mora biti zaštićena od onečišćenja; uvijek stavite zaštitni poklopac na otvor šesterokutne glave;



Picture.1



Picture.2

Ugljenu četkicu je potrebno provjeriti i održavati kada uređaj radi 60 sati, zamijenite četku na vrijeme ako ustanovite da je istrošena.

(Sl.1) Prvo isključite napajanje, uklonite kućište motora.

(Sl.2) Izvucite ploču i zamijenite ugljenu četkicu.

4. Ugradnja i rukovanje

Uređaj mora koristiti miješalice opremljene priključnim krajem s vanjskim navojem M14. Mješalica se postavlja u uređaj u sljedećim koracima:

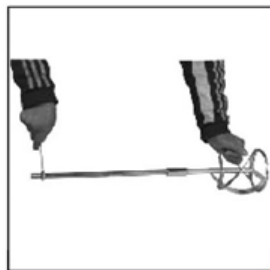
1. Izvucite utikač iz električne utičnice, ako je priključen.
2. Okrenite uređaj tako da ima slobodan pristup vretenu.
3. Umetnite kraj miješalice - kraj s navojem - u provrt vretena i zategnite.
4. Držeći vreteno odgovarajućim ključem uključenim u komplet, čvrsto zategnite mješalicu.



Picture.1



Picture.2



Picture.3



Picture.4



Picture.5

PROMJENJIVE BRZINE

Brzina vrtnje se mijenja pomoću gumba (slika 7), koji se nalazi s unutarnje strane lijeve ručke.

PROMJENA STUPNJA PRIJENOSA

Zakretni moment se mijenja gumbom (slika 6).

Prilikom mijenjanja raspona brzine vrtnje imajte na umu da se ova radnja smije izvoditi samo s isključenim uređajem. U suprotnom se prijenos može oštetiti - ako postoji otpor pri promjeni stupnja prijenosa, lagano zakrenite vreteno tako da se zupčanici uključe.



(Picture 6)



(Picture 7)

UKLJUČIVANJE/ISKLJUČIVANJE

Prekidač za uključivanje/isključivanje (3) uređaja nalazi se na desnoj ručki i dizajniran je na takav način da sprječava slučajno uključivanje.

Za pokretanje električnog alata pritisnite blokadu (4), a zatim prekidač (3).

Uređaj se isključuje kada se otpusti prekidač (6).

Nemojte pritiskati prekidač (6) bez prethodnog otpuštanja (pritisnuta) blokade (5), jer to može oštetiti uređaj.

Tehničke specifikacije

Model	Em5010
Nazivni napon	230 V~50 Hz
Nazivna snaga	1400 W
Nazivna brzina vrtnje bez opterećenja	0-600/min 0-900/min
Promjer miješanja	120 mm
Razina zvučnog tlaka	LpA =92.0dB(A)
Razina zvučne snage	LWA =103.0dB(A)
Nesigurnost K	K =3dB(A)
Maksimalna vrijednost vibracija	3.157m/s ²
Nesigurnost K	K =1.5m/s ²

ΣΗΜΑΝΤΙΚΕΣ ΠΛΗΡΟΦΟΡΙΕΣ

Για να επιτύχετε την υψηλότερη δυνατή ικανοποίηση, να μείνετε ευχαριστημένοι με την απόδοση του προϊόντος και να μάθετε όλα τα χαρακτηριστικά και τις λειτουργίες του, παρακαλούμε διαβάστε το παρόν εγχειρίδιο πριν χρησιμοποιήσετε το προϊόν.

Πριν χρησιμοποιήσετε τη συσκευή, διαβάστε το εγχειρίδιο και ακολουθήστε τις οδηγίες που περιέχονται σε αυτό. Ο κατασκευαστής δεν ευθύνεται για ζημιές που προκαλούνται από τη χρήση της συσκευής με τρόπο ασύμφωνο με τον προορισμό της ή λόγω ακατάλληλου χειρισμού.

Διατηρήστε αυτές τις οδηγίες χρήσεως για μελλοντική αναφορά.

- Η συσκευή προορίζεται μόνο για οικιακή χρήση. Μην χρησιμοποιήσετε τη συσκευή για τους σκοπούς άλλους από τον προορισμό της.
- Πρέπει να συνδέσετε τη συσκευή αποκλειστικά στην πρίζα με τα χαρακτηριστικά που να είναι συμβατά με τις τιμές που αναφέρονται στην ονομαστική πινακίδα.
- Πρέπει να ελέγξετε αν η πλήρης λήψη ηλεκτρικού ρεύματος από όλες τις συνδεδεμένες στην πρίζα μηχανές τοίχου να μην υπερβεί τη μέγιστη επιβάρυνση της ηλεκτρικής ασφάλειας.
- Αν χρησιμοποιήσετε την επέκταση, πρέπει να ελέγξετε αν η λήψη ενέργειας του συνδεδεμένου στην επέκταση εξοπλισμού αυτού να μην υπερβεί τις παραμέτρους επιβάρυνσής της. Το καλώδιο επέκτασης πρέπει να τοποθεθεί έτσι ώστε να αποφύγετε τυχαίο τράβηγμα ή να μη σκοντάψετε σε αυτό.
- Μην επιτρέψετε το καλώδιο τροφοδοσίας να κρεμαστεί κάτω από την άκρη ενός τραπεζιού ή ραφιού ή να μην αγγίξει ζεστή επιφάνεια.
- Η συσκευή δεν προορίζεται για έλεγχο με εξωτερικό χρονοδιακόπτη, ξεχωριστό τηλεχειριστήριο ή άλλη διάταξη η οποία μπορεί να απενεργοποιήσει τη συσκευή αυτομάτως.
- Πριν από τις εργασίες συντήρησης πρέπει να αποσυνδέετε πάντα και πλήρως τη συσκευή από την ηλεκτρική ενέργεια.
- Αποσυνδέοντας το καλώδιο τροφοδοσίας πάντα πρέπει να το τραβάτε κρατώντας το φικς. Ποτέ μη
- βγάλετε το καλώδιο τροφοδοσίας τραβώντας μόνο το καλώδιο γιατί έτσι μπορείτε να χαλάσετε το φικς ή το καλώδιο, και σε ακραίες περιπτώσεις, μπορείτε να πάθετε ηλεκτροπληξία.
- Δεν επιτρέπεται να αφήνετε τη συσκευή συνδεδεμένη στην

- πρίζα χωρίς εποπτεία.
- Μη βυθίζετε τη συσκευή στο νερό ή σε κανένα άλλο υγρό.
 - Η συσκευή πρέπει να καθαρίζεται τακτικά σύμφωνα με τις προτάσεις που αναφέρονται στο μέρος περί Καθαρισμού και συντήρησης της συσκευής.
 - Μην τοποθετείτε τη συσκευή κοντά σε πηγές θερμότητας, φλόγα, ηλεκτρική μονάδα θέρμανσης ή πάνω σε ζεστό φούρνο. Μην τοποθετείτε τη συσκευή μέσα σε άλλη συσκευή.
 - Η παρούσα συσκευή επιτρέπεται να χρησιμοποιείται από παιδιά ηλικίας τουλάχιστον 8 ετών και από πρόσωπα με μειωμένες φυσικές και νοητικές ικανότητες καθώς και από πρόσωπα χωρίς εμπειρία και γνώση της συσκευής, αν διασφαλιστεί η εποπτεία ή η εκμάθηση χρήσης της συσκευής με τον ασφαλή τρόπο, έτσι ώστε οι σχετικοί κίνδυνοι να είναι γνωστοί. Τα παιδιά δεν επιτρέπεται να παίζουν με τη συσκευή. Τα παιδιά χωρίς εποπτεία δεν επιτρέπεται να καθαρίζουν ή να συντηρούν τη συσκευή.
 - Πρέπει να είστε ιδιαίτερα προσεκτικοί όταν χρησιμοποιείτε τη συσκευή και όταν κοντά της βρίσκονται παιδιά ή ζώα συντροφιάς. Μην επιτρέπετε στα παιδιά να παίζουν με τη συσκευή.
 - Μην χρησιμοποιήσετε εύφλεκτα υλικά κοντά στη συσκευή.
 - Μην εκθέτετε τη συσκευή στη δράση των καιρικών συνθηκών (βροχή, ήλιος κλπ.) και μην τη χρησιμοποιήσετε σε συνθήκες αυξημένης υγρασίας (μπάνια, μουσκεμένα κάμπινγκ κλπ.).
 - Περιοδικά ελέγχετε την κατάσταση του καλωδίου τροφοδοσίας. Αν το μη αφαιρούμενο καλώδιο τροφοδοσίας υποστεί φθορές πρέπει να αντικατασταθεί από τον κατασκευαστή ή σε ένα εξειδικευμένο συνεργείο ή από τον εξουσιοδοτημένο αντιπρόσωπο με σκοπό να αποφύγετε ενδεχόμενο κίνδυνο.
 - Μην χρησιμοποιείτε τη συσκευή με χαλασμένο καλώδιο τροφοδοσίας, χαλασμένο φις ή όταν η συσκευή πέσει ή χαλάσει με οποιοδήποτε άλλο τρόπο ή όταν δεν λειτουργεί κατάλληλα. Μην επισκευάσετε τη συσκευή μόνοι σας. Παραδώστε τη χαλασμένη συσκευή στην κατάλληλη υπηρεσία σέρβις με σκοπό να ελεγχθεί ή να επισκευαστεί. Όλες οι επισκευές μπορούν να εκτελεστούν αποκλειστικά από τις εξουσιοδοτημένες υπηρεσίες σέρβις. Ακατάλληλα εκτελεσμένες επισκευές μπορεί να αποτελέσουν σημαντικό κίνδυνο για τον χρήστη της.

- Χρησιμοποιείτε μόνο τα γνήσια αξεσουάρ για τη συσκευή ή τα αξεσουάρ που προτείνονται από τον κατασκευαστή. Το να χρησιμοποιήσετε τα αξεσουάρ που δεν προτείνονται από τον κατασκευαστή μπορεί να προκαλέσει βλάβες στη συσκευή και να προκαλέσει κίνδυνο για τη χρήση της.
- Φροντίστε ο χώρος εργασίας σας να είναι τακτοποιημένος και φωτισμένος.
- Η αταξία και ο ανεπαρκής φωτισμός οδηγούν σε ατυχήματα.
- Μην χρησιμοποιείτε ηλεκτρικά εργαλεία σε εκρηκτικές ατμόσφαιρες, δηλαδή σε χώρους όπου υπάρχουν εύφλεκτα υγρά, αερία ή σκόνες.
- Μια στιγμή απροσεξίας μπορεί να οδηγήσει σε απώλεια του ελέγχου του μηχανήματος.
- Εάν υπάρχει η δυνατότητα χρήσης ηλεκτρικών εργαλείων για την εξαγωγή ή τη συλλογή της σκόνης, βεβαιωθείτε ότι έχουν εγκατασταθεί και λειτουργούν σωστά. Η χρήση τέτοιων ηλεκτρικών εργαλείων μειώνει τον κίνδυνο από τη σκόνη.
- Μην χρησιμοποιείτε το ηλεκτρικό εργαλείο πολύ μακριά από το σώμα σας, έχοντας τα χέρια τεντωμένα. Κρατήστε το σταθερά με τα χέρια και διατηρήστε την ισορροπία σας. Αυτό θα σας παρέχει καλύτερο έλεγχο του ηλεκτρικού εργαλείου σε περίπτωση απρόβλεπτων καταστάσεων.
- Αποφύγετε την ακούσια εκκίνηση του ηλεκτρικού εργαλείου. Βεβαιωθείτε ότι ο διακόπτης ενεργοποίησης βρίσκεται στη θέση OFF πριν συνδέσετε το ηλεκτρικό εργαλείο στην πρίζα. Η μεταφορά του ηλεκτρικού εργαλείου με το δάχτυλο στη σκανδάλη ή η σύνδεση του ηλεκτρικού εργαλείου στην πρίζα μετά το πάτημα του κουμπιού ενεργοποίησης μπορεί να οδηγήσει σε ατυχήματα.
- Φορέστε κατάλληλο ρουχισμό. Μην εργάζεστε με χαλαρά ρούχα και μην φοράτε κοσμήματα κατά την εργασία. Κρατήστε τα μαλλιά, τα ρούχα και τα γάντια μακριά από τα κινούμενα στελέχη. Τα κινούμενα μέρη του ηλεκτρικού εργαλείου μπορεί να αρπάξουν και να τραβήξουν χαλαρά ρούχα, κοσμήματα ή μακριά μαλλιά.
- Αφαιρέστε όλα τα κλειδιά ή τα εργαλεία από το ηλεκτρικό εργαλείο πριν το ενεργοποιήσετε. Ένα εργαλείο ή κλειδί που παραμένει προσαρτημένο στο περιστρεφόμενο τμήμα του ηλεκτρικού εργαλείου μπορεί να προκαλέσει τραυματισμό.
- Η χρήση του ηλεκτρικού εργαλείου πρέπει να γίνεται με προσοχή, συγκέντρωση και κοινή λογική. Μην χρησιμοποιείτε το ηλεκτρικό εργαλείο όταν είστε

κουρασμένοι ή βρίσκεστε υπό την επήρεια ναρκωτικών, αλκοόλ ή φαρμάκων. Ακόμη και μια στιγμή απροσεξίας κατά τη χρήση ενός ηλεκτρικού εργαλείου μπορεί να προκαλέσει σοβαρό ατύχημα.

- Κρατήστε τα παιδιά μακριά από την περιοχή εργασίας και ΜΗΝ αφήνετε τα παιδιά να τραβούν το καλώδιο τροφοδοσίας - αυτό μπορεί να προκαλέσει σοβαρό τραυματισμό.
- Τοποθετείτε και χρησιμοποιείτε το ηλεκτρικό εργαλείο πάντα σε σταθερή, ομαλή, οριζόντια και επίπεδη επιφάνεια.
- Πριν από οποιαδήποτε ρύθμιση, αλλαγή εξαρτημάτων ή αποθήκευση του ηλεκτρικού εργαλείου, μετακινήστε τον διακόπτη στη θέση απενεργοποίησης ώστε να αποσυνδέσετε το ηλεκτρικό εργαλείο από την παροχή ρεύματος. Τέτοια προφυλακτικά μέσα μειώνουν τον κίνδυνο ακούσιας εκκίνησης του ηλεκτρικού εργαλείου.
- Πριν από κάθε χρήση, ελέγξτε το περίβλημα για τυχόν ζημιές.
- Βεβαιωθείτε ότι τα ανοίγματα εξαερισμού δεν έχουν υπολείμματα.
- Το εργαλείο πρέπει να χρησιμοποιείται μόνο σε στεγνό, καλά φωτισμένο περιβάλλον.
- Αυτό το εργαλείο δεν πρέπει να χρησιμοποιείται από άτομα κάτω των 16 ετών.
- Η συσκευή προορίζεται μόνο για εξωτερική χρήση. Μην το χρησιμοποιείτε για οποιονδήποτε άλλο σκοπό, ασύμβατο με την προβλεπόμενη χρήση του.
- Τα επίπεδα θορύβου κατά τη λειτουργία μπορεί να υπερβούν τα 85 dB (A)· φορέστε προστατευτικά ακοής.

Αναδευτήρας - προειδοποιήσεις ασφαλείας.

- α) Ο αναμεικτήρας και ο αναδευτήρας δεν προορίζονται για την παρασκευή τροφίμων για ανθρώπους ή ζώα. Επιτρέπεται η ανάμειξη μόνο ουσιών και υλικών που χρησιμοποιούνται στις κατασκευές.
- Το σώμα της συσκευής, καθώς και τα εργαλεία που χρησιμοποιούνται, δεν πληρούν τις προδιαγραφές υγιεινής που απαιτούνται για την επεξεργασία τροφίμων.
- β) Η συσκευή δεν πρέπει να χρησιμοποιείται για την ανάμειξη εύφλεκτων ή εκρηκτικών ουσιών.
- Όταν ο αναμεικτήρας βρίσκεται σε λειτουργία, δημιουργούνται ηλεκτρικοί σπινθήρες στον κινητήρα κίνησης, οι οποίοι μπορεί να οδηγήσουν σε ανάφλεξη των

- ατμών των αναμειγνυόμενων ουσιών.
- γ) Πριν από την ανάμειξη οικοδομικών υλικών, διαβάστε τις οδηγίες χρήσης τους ή το δελτίο δεδομένων ασφαλείας υλικού (MSDS).
- Ορισμένοι τύποι υλικών ή χημικών ουσιών ενέχουν κίνδυνο για την υγεία ή την ανθρώπινη ζωή και η διαδικασία ανάμειξης μπορεί να υπόκειται σε ορισμένες προϋποθέσεις.
- δ) Κατά την ανάμειξη υλικών εκτός δεξαμενής, πρέπει να κρατάτε και με τα δύο χέρια τις μονωμένες λαβές του ηλεκτρικού εργαλείου.
- Υπάρχει πάντα ο κίνδυνος κατά την εργασία να συναντήσετε κρυμμένα ηλεκτροφόρα καλώδια υπό τάση. Οι αιχμηρές άκρες ορισμένων αναδευτήρων μπορούν εύκολα να προκαλέσουν ζημιά ή να κόψουν έναν ηλεκτρικό αγωγό, γεγονός που μπορεί να οδηγήσει σε ηλεκτροπληξία.
- (ε) Κατά την ανάμειξη υλικών, προσέξτε τη θέση του καλωδίου τροφοδοσίας του αναμεικτήρα, ώστε να μην βρίσκεται κοντά στο περιστρεφόμενο εργαλείο εργασίας (αναδευτήρας).
- Το καλώδιο τροφοδοσίας του ηλεκτρικού εργαλείου πρέπει να βρίσκεται εκτός της περιοχής εργασίας του αναδευτήρα, ο οποίος μπορεί να το καταστρέψει ή να το κόψει, δημιουργώντας έτσι κίνδυνο ηλεκτροπληξίας.
- (στ) Το δοχείο στο οποίο αναμειγνύονται τα υλικά πρέπει να βρίσκεται σε επίπεδη και ευθεία επιφάνεια, έτσι ώστε να μην γέρνει και να μη ταλαντεύεται κατά τη διάρκεια της ανάμειξης.
- Οι ανεξέλεγκτες κινήσεις της δεξαμενής κατά την ανάμειξη μπορεί να οδηγήσει σε επικίνδυνες καταστάσεις.
- ζ) Κρατήστε το ηλεκτρικό εργαλείο σταθερά και με ασφάλεια, και με τα δύο χέρια, από τις μονωμένες λαβές, διατηρώντας σταθερή θέση.
- η) Εάν το ηλεκτρικό εργαλείο λερωθεί πολύ με το προς ανάμειξη υλικό, π.χ. λόγω πτώσης στο δοχείο ανάμειξης, απενεργοποιήστε αμέσως τον αναμεικτήρα και αποσυνδέστε τον από το ηλεκτρικό δίκτυο.
- Η χρήση ενός ηλεκτρικού, εντός του οποίου έχει πέσει νερό ή συστατικά του μείγματος μπορεί να προκαλέσει βλάβη στον εξοπλισμό και δημιουργεί επίσης κίνδυνο ηλεκτροπληξίας.
- θ) Κατά την ανάμειξη υγρών και ρευστών, βεβαιωθείτε ότι τα σταγονίδια τους δεν εισέρχονται στο εσωτερικό του ηλεκτρικού εργαλείου.

- Η είσοδος υγρών ή ρευστών στο εσωτερικό του ηλεκτρικού εργαλείου ενέχει κίνδυνο ηλεκτροπληξίας.
 - ι) Εάν το εργαλείο εργασίας (ράβδος ανάδευσης) μπλοκάρει κατά τη διάρκεια της ανάμειξης, απενεργοποιήστε αμέσως τον αναμεικτήρα. Όταν το κάνετε αυτό, πρέπει να έχετε υπόψη σας τη δύναμη ανάκρουσης, η οποία μπορεί να κάνει το εργαλείο να φύγει από τα χέρια του χειριστή.
- Χρησιμοποιώντας ελαττωματικά εργαλεία, π.χ. στραβούς αναδευτήρες, ή υπερφορτώνοντας το ηλεκτρικό εργαλείο, ο χειριστής μπορεί να δημιουργήσει επικίνδυνες καταστάσεις.
 - ια) Ο αναμεικτήρας δεν έχει σχεδιαστεί για να τοποθετείται σε βάσεις, στηρίγματα κ.λπ.
- Κρατάτε πάντα τη συσκευή και με τα δύο χέρια σας, με σταθερή λαβή.
 - ιβ) Λάβετε υπόψη ότι η αλλαγή της ταχύτητας περιστροφής με τη χρήση του διακόπτη ταχύτητας (1η ή 2η ταχύτητα), πρέπει να γίνεται μόνο όταν η συσκευή είναι απενεργοποιημένη.
- Η αλλαγή της ταχύτητας κατά τη λειτουργία της συσκευής μπορεί να προκαλέσει βλάβη στη συσκευή.

Η αναφερόμενη τιμή εκπομπής κραδασμών έχει μετρηθεί σύμφωνα με τυποποιημένες διαδικασίες και ενδέχεται να διαφέρει ανάλογα με τον τρόπο χρήσης του ηλεκτρικού εργαλείου. Σε εξαιρετικές περιπτώσεις μπορεί να υπερβαίνει την καθορισμένη τιμή.

Η παρατεταμένη έκθεση των χεριών του χειριστή σε κραδασμούς μπορεί να οδηγήσει σε τραυματισμούς παρόμοιους με τα κρουπαγήματα. Πρόκειται κυρίως για ένα αίσθημα τσιμπήματος ή καψίματος στα δάχτυλα, καθώς και για υπερβολική ωχρότητα των χεριών.

Αυτά τα συμπτώματα είναι ενδεικτικά της χρήσης του ηλεκτρικού εργαλείου για υπερβολικά μεγάλο χρονικό διάστημα.

Για να αποφευχθούν οι κίνδυνοι που συνδέονται με τις δυσμενείς επιπτώσεις των δονήσεων στα χέρια του χειριστή, είναι απαραίτητο να τηρείτε κάποιες βασικές αρχές:
- ο καθημερινός χρόνος εργασίας με το ηλεκτρικό εργαλείο θα πρέπει να περιλαμβάνει τακτικά διαλείμματα, κατά τη διάρκεια των οποίων συνιστάται η εκτέλεση άλλων δραστηριοτήτων,
- κατά τη διάρκεια των διαλειμμάτων εκτελείτε ασκήσεις για τα χέρια και τους βραχίονες ώστε να βελτιώσετε την

κυκλοφορία,

- φοράτε προστατευτικά γάντια, τα οποία προστατεύουν επιπλέον από τις αρνητικές επιπτώσεις των κραδασμών, Εάν, παρά τις παραπάνω συστάσεις, ο χειριστής αισθάνεται αδιαθεσία, π.χ. πρησμένα δάχτυλα, υπερβολικά χλωμά δάχτυλα ή απώλεια αίσθησης, θα πρέπει να επικοινωνήσει αμέσως με γιατρό.

Επιπλέον, θα πρέπει:

- να αποφεύγεται η λήψη άβολης στάσης (π.χ. μέσω ενός κακώς ευθυγραμμισμένου σημείου ισορροπίας) κατά την οποία οι καρποί είναι συνεστραμμένοι με αφύσικο τρόπο,
- να γίνονται τακτικά διαλείμματα ώστε να μειώνεται η επίδραση της επαναλαμβανόμενης επιβάρυνσης,
- εάν παρουσιάσετε οποιαδήποτε συμπτώματα κόπωσης ή πόνου στο χέρι ή στο βραχίονα συμβουλευτείτε έναν γιατρό.

Φαινόμενο της ανάκρουσης:

- Πρόκειται για την ξαφνική, ανεξέλεγκτη αντίδραση του μηχανήματος σε περίπτωση εμπλοκής ή μπλοκαρίσματος του εργαλείου εργασίας. Η εμπλοκή ή το μπλοκάρισμα οδηγεί σε ξαφνική διακοπή του περιστρεφόμενου εργαλείου, με αποτέλεσμα ένα βίαιο τράνταγμα της συσκευής.
- Το φαινόμενο της ανάκρουσης είναι αποτέλεσμα της ακατάλληλης ή λανθασμένης χρήσης της συσκευής και της μη τήρησης των διαδικασιών ασφαλείας που αναφέρονται στο εγχειρίδιο οδηγιών χρήσης της συσκευής.

Μέθοδοι πρόληψης του φαινομένου της ανάκρουσης:

- Πρέπει να κρατάτε τη συσκευή σταθερά και με ασφάλεια ενώ η τοποθέτηση των χεριών και του σώματος θα πρέπει να αποτρέψει την εμφάνιση του φαινομένου της ανάκρουσης ή να το μετριάσει εάν εμφανιστεί,
- Κρατήστε τα χέρια μακριά από τα περιστρεφόμενα εργαλεία. Σε περίπτωση βλάβης στη συσκευή, διακόψτε αμέσως τη λειτουργία της και αποσυνδέστε την από το ρεύμα. Ελέγξτε έπειτα την αιτία της βλάβης και, εάν είναι απαραίτητο, παραδώστε τη μονάδα σε εξουσιοδοτημένο κέντρο σέρβις. Απαγορεύεται η χρήση ελαττωματικών εργαλείων εργασίας, π.χ. στραβών ή κατεστραμμένων αναδευτήρων, καθώς αυτό μπορεί να οδηγήσει σε υπερφόρτωση της μονάδας με επακόλουθες επικίνδυνες καταστάσεις. Ο αναμεικτήρας δεν έχει σχεδιαστεί για να στερεώνεται μόνιμα σε οποιουδήποτε είδους βάσεις, στηρίγματα ή σταντ.

Κρατάτε πάντα τη συσκευή με αμφοτέρα τα χέρια, με σταθερό κράτημα της μονωμένης λαβής.
 Η ταχύτητα περιστροφής με τη βοήθεια του διακόπτη ταχύτητας μπορεί να γίνει μόνο όταν η συσκευή είναι απενεργοποιημένη και ο κινητήρας δεν λειτουργεί.
 Η αλλαγή της ταχύτητας κατά τη διάρκεια λειτουργίας του μηχανήματος μπορεί να προκαλέσει ζημιά στο μηχάνημα.

	Πριν από την ενεργοποίηση, διαβάστε προσεκτικά τις οδηγίες χρήσης και όλες τις αρχές ασφαλείας.		Φορέστε προστατευτικά υποδήματα
	Το προϊόν συμμορφώνεται με τα πρότυπα ασφαλείας της ΕΚ		Χρησιμοποιείτε προστατευτικά αυτιών
	Μην εκθέτετε τη συσκευή στη βροχή ή στην υγρασία.		Φορέστε προστατευτικά γάντια
	Απορρίψτε το προϊόν σύμφωνα με την οδηγία WEEE.		Φορέστε προστατευτική ενδυμασία
	Φορέστε προστατευτικά γυαλιά		Φορέστε προστατευτική μάσκα

ΧΡΗΣΗ ΜΕΣΩΝ ΑΤΟΜΙΚΗΣ ΠΡΟΣΤΑΣΙΑΣ

- Φοράτε γυαλιά ασφαλείας σύμφωνα με το πρότυπο En166
- Φοράτε μάσκα ασφαλείας σύμφωνα με το πρότυπο En149
- Χρησιμοποιήστε άλλα συγκεκριμένα μέσα ατομικής προστασίας, ανάλογα με το είδος της εργασίας.



Η συσκευής είναι συμβατή με τις απαιτήσεις των οδηγιών της Ευρωπαϊκής Ένωσης:

- Συσκευή χαμηλής τάσης - Low voltage directive (LVD)
- Ηλεκτρομαγνητική συμβατότητα - Electromagnetic compatibility (EMC) Προϊόν επισημασμένο με το σύμβολο CE στην ονομαστική πινακίδα



Αν πάνω στη συσκευή βρίσκεται το σύμβολο του διαγραμμένου κάδου αυτό σημαίνει ότι το προϊόν καλύπτεται με τους κανονισμούς της ευρωπαϊκής οδηγίας 2012/19/ΕΥ. Πρέπει να εξοικειωθείτε με τις σχετικές απαιτήσεις του τοπικού συστήματος συγκέντρωσης απορριπτόμενου εξοπλισμού και υπολειμμάτων υλικού διάλυσης. Πρέπει να ακολουθήσετε τους τοπικούς κανονισμούς. Μην απορρίψετε το προϊόν μαζί με κανονικά οικιακά απορρίμματα. Η κατάλληλη απόρριψη παλιού προϊόντος προστατεύει από τα αρνητικά αποτελέσματα για το φυσικό περιβάλλον και την ανθρώπινη υγεία.

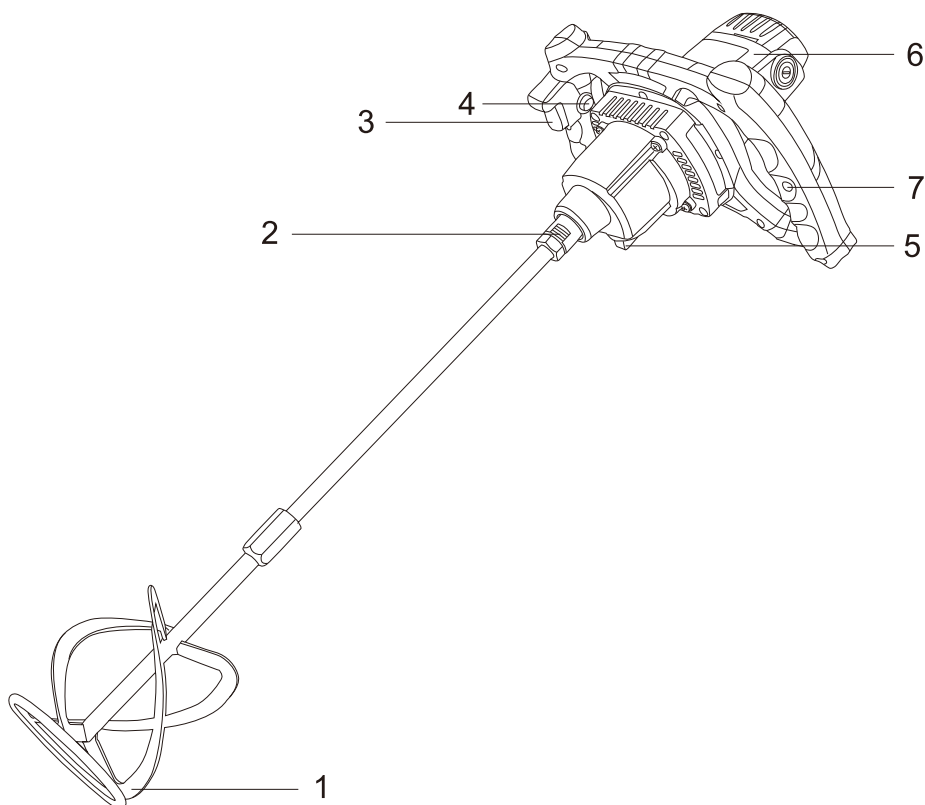
Πληροφορίες για την προστασία του περιβάλλοντος Η συσκευασία περιέχει μόνο απαραίτητα στοιχεία. Προσπαθήσαμε πολύ να ξεχωριστούν εύκολα τα τρία συστατικά συσκευασίας: χαρτί (κουτί), αφρός πολυστερίνης (προστατευτικά μέσα στη συσκευασία) και πολυαιθυλένιο (σακούλες, προστατευτικό φύλλο). Η συσκευή κατασκευάστηκε από υλικά τα οποία μπορούν να ανακυκλωθούν και να χρησιμοποιηθούν ξανά μετά την αποσυναρμολόγησή τους. Πρέπει να ακολουθήσετε τους τοπικούς κανονισμούς σχετικά με τη διάθεση των υλικών συσκευασίας, μεταχειρισμένων μπαταριών και των περιττών συσκευών.



Το προϊόν κατασκευάστηκε από υλικά υψηλής ποιότητας και από συστήματα τα οποία μπορούν να ανακυκλωθούν και να χρησιμοποιηθούν ξανά.

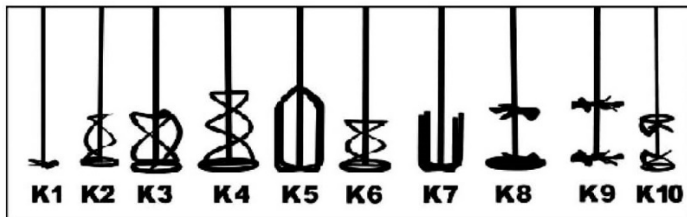
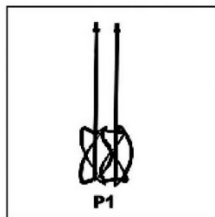
1. Κατασκευή της συσκευής

1. Αναδευτήρας
2. Υποδοχή σύνδεσης στον αναδευτήρα M14
3. Διακόπτης ενεργοποίησης
4. Περιστρεφόμενος διακόπτης ασφάλισης του διακόπτη ενεργοποίησης
5. Διακόπτης αλλαγής ταχυτήτων
6. Περίβλημα κινητήρα
7. Περιστρεφόμενος διακόπτης ελέγχου των στρωφών



2. Επιλογή αναδευτήρα

Για τον αναδευτήρα με μονό εργαλείο ανάμιξης, παρέχουμε ως βασικό εξοπλισμό τον αναδευτήρα K3. Μπορούν να τοποθετηθούν και άλλοι αναδευτήρες οι οποίοι χρησιμοποιούν βιδωτή σύνδεση M14 (K1-k10 κ.λπ.).



3. Καθαρισμός και συντήρηση της συσκευής

Η σωστή συντήρηση του μηχανήματος μπορεί να παρατείνει τη διάρκεια ζωής του. Ο διακόπτης λαβής πρέπει πάντα να λειτουργεί σωστά και πρέπει να συντηρείται καλά. Τα εργαλεία ανάμιξης πρέπει να καθαρίζονται μετά την έκχυση ή όταν δεν χρησιμοποιούνται για μεγάλο χρονικό διάστημα. Συνήθως το τρεχούμενο νερό ή η χαλαζιακή άμμος μπορούν να καθαρίσουν καλά τα εργαλεία ανάμιξης.

Ο άξονας ανάμιξης πρέπει πάντα να προστατεύεται από τη βρωμιά.

Πρέπει πάντα να τοποθετείται προστατευτικό κάλυμμα πάνω από το άνοιγμα της εξαγωγικής υποδοχής.

Ο αεραγωγός του περιβλήματος του κινητήρα δεν πρέπει να καλύπτεται όταν το μηχάνημα λειτουργεί - δεν πρέπει να υπάρχουν εύφλεκτα υλικά στο μηχάνημα.

Ο εξαερισμός πρέπει να καθαρίζεται συχνά.



Picture.1



Picture.2

Η βούρτσα άνθρακα πρέπει να ελέγχεται και να συντηρείται όταν το μηχάνημα λειτουργεί για έως και 60 ώρες, αντικαταστήστε τη βούρτσα εγκαίρως εάν διαπιστωθεί ότι έχει φθαρεί.

(Εικ. 1) Πρώτα αποσυνδέστε την παροχή ρεύματος, αφαιρέστε το περίβλημα του κινητήρα.

(Εικ. 2) Τραβήξτε την πλάκα και αντικαταστήστε τη βούρτσα άνθρακα.

4. Συναρμολόγηση και χειρισμός

Στη συσκευή πρέπει να χρησιμοποιούνται αναδευτήρες, οι οποίοι διαθέτουν άκρο σύνδεσης με αρσενικό σπείρωμα M14. Η εγκατάσταση του αναδευτήρα στη συσκευή πραγματοποιείται με τα ακόλουθα βήματα:

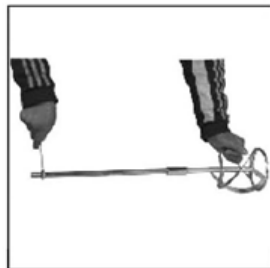
1. Αφαιρέστε το βύσμα από την πρίζα, εάν ήταν συνδεδεμένο.
2. Γυρίστε τη συσκευή έτσι ώστε να υπάρχει ελεύθερη πρόσβαση στον άξονα.
3. Εισάγετε το άκρο του αναμεικτήρα - το σπειρωτό - στην οπή του άξονα και, στη συνέχεια, σφίξτε το.
4. Κρατώντας τον άξονα με το ειδικό κλειδί που παρέχεται, σφίξτε καλά τον αναμεικτήρα.



Picture.1



Picture.2



Picture.3



Picture.4



Picture.5

ΡΥΘΜΙΣΗ ΣΤΡΟΦΩΝ

Ο περιστρεφόμενος διακόπτης (Εικ. 7), που βρίσκεται στο εσωτερικό της αριστερής λαβής, χρησιμοποιείται για την αλλαγή της ταχύτητας περιστροφής.

ΑΛΛΑΓΗ ΤΑΧΥΤΗΤΑΣ

Ο περιστρεφόμενος διακόπτης (Σχ. 6) χρησιμοποιείται για την αλλαγή της ροπής στρέψης. Κατά την αλλαγή ταχύτητας περιστροφής, να θυμάστε ότι η λειτουργία αυτή πρέπει να εκτελείται μόνο με το μηχάνημα απενεργοποιημένο. Διαφορετικά, το κιβώτιο ταχυτήτων μπορεί να υποστεί ζημιά - εάν υπάρχει αντίσταση κατά την αλλαγή ταχύτητας, περιστρέψτε ελαφρά τον άξονα ώστε τα γρανάζια να μπορέσουν να συμπεχθούν.



(Picture 6)



(Picture 7)

ΕΝΕΡΓΟΠΟΙΗΣΗ/ΑΠΕΝΕΡΓΟΠΟΙΗΣΗ

Ο διακόπτης ενεργοποίησης/απενεργοποίησης (3) του μηχανήματος βρίσκεται στη δεξιά λαβή και έχει σχεδιαστεί έτσι ώστε να αποτρέπεται η τυχαία εκκίνηση.

Για να εκκινήσετε το ηλεκτρικό εργαλείο, πατήστε την ασφάλιση (4) και στη συνέχεια τον διακόπτη (3). Το ηλεκτρικό εργαλείο απενεργοποιείται μόλις αφήσετε το κουμπί ενεργοποίησης (6).

Μην πατάτε το διακόπτη ενεργοποίησης/απενεργοποίησης (6) χωρίς να απελευθερώσετε (πατήσετε) πρώτα το κουμπί μπλοκαρίσματος (5), καθώς αυτό μπορεί να προκαλέσει βλάβη στη συσκευή.

Τεχνικές προδιαγραφές:

Μοντέλο	Em5010
Ονομαστική τάση	230 V~50 Hz
Ονομαστική ισχύς	1400 W
Ονομαστική ταχύτητα άνευ επιβάρυνσης	0-600/min 0-900/min
Διάμετρος ανάμιξης	120 mm
Επίπεδο ηχητικής πίεσης	LpA =92.0dB(A)
Επίπεδο ηχητικής ισχύος	LWA =103.0dB(A)
Αβεβαιότητα K	K =3dB(A)
Μέγιστη τιμή δόνησης	3.157m/s ²
Αβεβαιότητα K	K =1.5m/s ²

Важни информации

За да постигнете максимална удовлетвореност, да се насладите на работата на продукта и да се запознаете с всички негови характеристики и функции, моля, прочетете това ръководство, преди да използвате този продукт.

Преди да използвате устройството, прочетете ръководството и следвайте инструкциите, съдържащи се в него. Производителят не носи отговорност за щети, причинени от използването на устройството за цели, различни от тези, за които е предназначено, или от неправилно обслужване с него.

Съхранявайте настоящото ръководство да бъде използвано също и по време на по-нататъшната употреба на продукта.

- Уредът е предназначен за използване само в домакинството. Не го използвайте за други цели, различни от неговото предназначение.
- Уредът трябва да бъде включен само към захранващ контакт с характеристика, отговаряща на стойностите, посочени върху информационната таблица.
- Трябва да проверите, дали общата консумация на ток от всички устройства, свързани към стенния контакт не надвишава максималното натоварване на предпазителя.
- Ако използвате удължител, трябва да проверите, дали общата консумация на мощност от включеното към удължителя оборудване не надвишава натоварването на предпазителя. Кабелът на удължителя трябва да бъде разположен така, че да се избегне случайно дърпане и спъване.
- Не позволявайте на захранващия кабел да провисва над ръба на маса или рафт, или да допира до горещи повърхности.
- Уредът не е предназначен за управление с помощта на външен таймер, отделно дистанционно управление или друго оборудване, което може автоматично да включи уреда.

- Преди извършването на дейностите по поддръжка трябва задължително да изключите уреда от захранването.
- Винаги трябва да изключвате захранващия кабел като издърпате щепсела. Никога не
- бива да изключвате захранващия кабел дърпайки за кабела, тъй като това може да повреди щепсела или кабела, а в краен случай да доведе дори до смъртоносен токов удар.
- Не бива да оставяте включен към контакта уред без надзор.
- Не потапяйте уреда във вода или в друга течност.
- Уредът трябва да бъде редовно почистван съгласно препоръките, описани в раздел Почистване и поддръжка на уреда.
- Не поставяйте уреда в близост до източници на топлина, пламък, електрически отоплителен елемент или върху гореща фурна; Не поставяйте върху никакъв друг уред.
- Този уред може да бъде използван от деца над 8-годишна възраст и от лица с намалени физически и умствени възможности и лица без опит и познания, ако те са наблюдавани или са инструктирани относно използването на уреда по безопасен начин, така че да разбират свързаните с това опасности. Децата не бива да си играят с уреда. Децата не могат да почистват или да извършват дейности по поддръжка на уреда без надзор на възрастен.
- Когато в близост до включения уред са намират деца или домашни животни, трябва да запазите особено внимание при работа с уреда. Децата не бива да си играят с уреда.
- Не използвайте уреда в близост до лесно запалими материали.
- Не излагайте уреда на въздействието на атмосферни фактори (дъжд, слънце и др.), нито не го използвайте в помещения с повишена влажност (баня, влажни бунгала).
- Периодично проверявайте състоянието на захранващия кабел. Ако захранващият кабел е повреден, той трябва да

бъде сменен от представител на производителя или на специализиран ремонтен сервиз или от квалифицирано лице, за да се избегне опасност.

- Не използвайте уред с повреден захранващ кабел, щепсел или ако е бил изпуснат или повреден по друг начин, или ако не работи правилно. Не ремонтирайте самостоятелно уреда, тъй като това може да доведе до токов удар. Повредения уред трябва да предадете в съответен сервизен пункт за проверка и ремонт. Всички ремонти трябва да бъдат извършени само от оторизирани сервизни пунктове. Неправилно извършен ремонт може да причини сериозна опасност за потребителя.
- Използвайте само оригинални аксесоари или препоръчани от производителя. Използването на други аксесоари, различни от препоръчаните от производителя, може да доведе до повреда на уреда или да причини опасност за безопасната експлоатация.
- Поддържайте работното си място подредено и добре осветено.
- Безредицата и недостатъчното осветление водят до инциденти.
- Не използвайте електроинструменти във взривоопасна атмосфера, т.е. в присъствието на запалими течности, газове или прах.
- Дори при миг невнимание рискувате да изгубите контрол над инструмента.
- Ако е възможно да се монтират електрически инструменти за извличане или събиране на прах, проверете дали те са монтирани и работят правилно. Използването на такива електроинструменти намалява риска, свързан с наличието на прах.
- Не се накланяйте прекалено много с електроинструмента. Поддържайте стабилна стойка и равновесие. Това ще ви осигури по-добър контрол върху електроинструмента в неочаквани ситуации.

- Избягвайте случайното стартиране на електроинструмента. Уверете се, че превключвателят на захранването е в положение OFF (изключено), преди да включите електроинструмента. Пренасянето на електроинструмента с пръст върху спусъка или свързването на електроинструмента към електрическата мрежа след включването му може да доведе до злополуки.
- Носете подходящо облекло. Не работете със свободни дрехи и не носете бижута по време на работа. Пазете косата, дрехите и ръкавиците далеч от движещите се части. Движещите се части на електроинструмента могат да се захванат и да издърпат свободно облекло, бижута или дълга коса.
- Преди да стартирате електроинструмента, извадете от него всички гаечни ключове или инструменти. Инструмент или гаечен ключ, който все още е прикрепен към въртящата се част на електроинструмента, може да причини телесни повреди.
- При работа с електроинструменти използвайте повишено внимание, концентрация и здрав разум. Не използвайте електроинструмента, когато сте уморени или сте под въздействието на наркотици, алкохол или лекарства. Само миг невнимание по време на работа с електроинструмент може да доведе до сериозен инцидент.
- Пазете децата далеч от работната зона и НЕ позволявайте на децата да дърпат захранващия кабел - това може да доведе до сериозни наранявания.
- Винаги поставяйте и използвайте електроинструмента върху стабилен, равен и хоризонтален повърхност.
- Преди да извършвате каквито и да било настройки, да сменяте аксесоари или да съхранявате електроинструмента, преместете превключвателя в положение "Изключено", за да изключите електроинструмента от захранването. Тези предпазни мерки намаляват риска от случайно стартиране на

електроинструмента.

- Проверявайте преди всяка употреба корпуса за наличие на повреди.
- Уверете се, че вентилационните отвори са свободни от отлагания.
- Инструментът може да се използва само в суха и добре осветена среда.
- Този инструмент не трябва да се използва от лица под 16-годишна възраст.

Устройството е предназначено за използване само на открито. Не го използвайте за други цели, несъвместими с предназначението му.

Смесител - предупреждения за безопасност.

Бъркалка и смесителя не са предназначени за приготвяне на храна за хора или животни. Могат да се смесват само субстанции и материали, използвани в строителството.

Корпусът на инструмента, както и използваните уреди, не отговарят на хигиенните стандарти, изисквани при обработката на храни.

б) Устройството не трябва да се използва за смесване на запалими или взривоопасни субстанции.

- Когато смесителят работи, в задвижващия мотор се създават електрически искри, които могат да да запали изпаренията на смесваните субстанции.

(в) Преди да смесите строителни материали, прочетете техните инструкции или информационния лист за безопасност на материала (MSDS).

- Някои видове материали или химикали представляват риск за човешкото здраве или човешкия живот и процесът на смесването им може да бъде обект на определени условия.

г) При смесване на материали извън съда двете ръце трябва да се държат за изолирани дръжки на

електроинструмента.

- По време на работа винаги съществува риск от попадане на скрити електрически кабели под напрежение. Острите ръбове на някои смесители могат лесно да повредят или да прережете електрическия кабел, което може да доведе до токов удар.
- (д) Когато смесвате материали, обърнете внимание на позицията на захранващата линия на смесителя, така че да не е в близост до въртящия се работен инструмент (смесителя)
- Захранващият кабел на електроинструмента трябва да е извън работната зона на бъркалката, която може да го повреди или пререже, като по този начин създава опасност от токов удар.
- (е) Съдът, в който се смесват материалите, трябва да стои на равна и права основа, така че така че да не се накланя или клати по време на смесването.
- Неконтролираното движение на резервоара по време на смесването може да доведе до опасни ситуации.
- ж) Електроинструмента трябва да държите здраво и сигурно с двете си ръце за изолираните дръжки, като поддържате стабилна позиция.
- з) Ако електроинструментът се замърси силно със смесен материал, напр. когато попадне в резервоара за смесване, незабавно изключете смесителя и и го изключите от електрическата мрежа.
- Използването на електроинструмента, в който е попаднала вода или съставки на смес, може да доведе до повреда на инструмента, както и до риск от токов удар.
- (и) При смесване на течности и флуиди трябва да се внимава техните капки да не попаднат в електроинструмента.

- Ако в електроинструмента попаднат течности или флуиди, има опасност от токов удар.
 - й) Ако работният инструмент (месилото) се блокира по време на смесването, незабавно изключете смесителя. Затова трябва да се обърне внимание на силата на отражението, която може да доведе до издърпване на устройството от ръцете на оператора.
- Използване на дефектни работни инструменти, напр. криви бъркалки, или водене на да претовари оборудването, операторът може да създаде опасни ситуации.
 - к) Смесителят не е предназначен за закрепване към стойки, подпори или други подобни.
- Винаги дръжте уреда в ръцете си, с двете си ръце, с твърд захват.
 - л) Имайте предвид, че промяната на скоростта чрез превключвателя за скоростта (I или II), трябва да се извършва само при изключено устройство.
- Промяната на скоростта, докато устройството работи, може да повреди устройството.

Посочената стойност на емисиите на вибрации е измерена съгласно стандартизирани процедури и може да се променя в зависимост от начина на използване на електроинструмента. В изключителни случаи тя може да надхвърли над посочената стойност.

Продължителното излагане на ръцете на оператора на вибрации може да причини наранявания, подобни на за премръзване. Това е най-вече усещане за парене или боджи в пръстите, както и прекомерна бледност на ръцете.

Тези симптоми са показателни за прекалено дълго използване на електроинструмент.

За да се избегне рискът от неблагоприятно въздействие на вибрациите върху ръцете на оператора, той трябва да спазва няколко основни принципа:

- дневното работно време с електроинструмента трябва да се състои от редовни почивки, по време на които е препоръчително да се извършват други дейности,
- по време на почивките, изпълнявайте упражнения за ръце и длани за да подобрите кръвообращението,
- носете защитни ръкавици, за да се предпазите допълнително от негативното въздействие на вибрациите,
Ако въпреки спазването на горните съвети операторът се почувства зле, напр. забележи подуване пръсти, прекомерна бледност или загуба на чувствителност, незабавно се свържете с Вашия лекар.
Освен това трябва да:
- да се избягва заемането на неудобна позиция (например чрез неправилно подредена точка на равновесие), в която китките са изкривени неестествено
- използвайте редовни интервали, за да противодействате на ефекта от повтарящото се натоварване,
- в случай на симптоми на умора или болка в ръцете и дланите се консултирайте със лекаря.
Ефекта на отдръпването:
- Това е внезапната, неконтролирана реакция на машината при засядане или блокиране на работен инструмент. Заклещването или блокирането води до внезапно спиране на въртящия се инструмент, в резултат на което машината силно се задърпва.
- Ефектът на отдръпване е резултат от неправилна или погрешна употреба на устройството и неспазване на процедурите за безопасност в инструкциите за експлоатация на устройството.
Методи за предотвратяване на отдръпването:
- Дръжте оборудването здраво и сигурно, като положението на ръцете и тялото трябва да предотвратява появата на ефекта на отдръпване или да го смекчава, ако се появи,
- Задържайте ръцете си далеч от въртящите се работни

инструменти.

В случай на неизправност на устройството, работата трябва да бъде спряна незабавно и устройството да бъде изключено от източника на захранване. След това проверете причината за повредата и, ако е необходимо, върнете устройството в оторизиран сервизен център. Забранено е използването на неизправни работни инструменти, напр. криви или повредени бъркалки, тъй като това може да доведе до претоварване на уреда с последващи опасни ситуации. Смесителят не е предназначен за трайно закрепване към какъвто и да е вид стойка, опора или стелаж.

Устройството винаги държете с двете си ръце, като държете здраво изолираната дръжка.

Промяната на скоростта с помощта на превключвателя за скоростта трябва да се извършва само при изключен инструмент, когато двигателят не работи.

Промяната на скоростта, докато устройството работи, може да повреди устройството.

	Преди да започнете работа, прочетете внимателно инструкциите за експлоатация и всички правила за безопасност.		Носете защитни обувки
	Продуктът е в съответствие със стандартите за безопасност на ЕО		Използвайте защита на ушите
	Не излагайте устройството на дъжд или влага.		Носете защитни ръкавици
	Изхвърляйте продукта в съответствие с Директивата за ОЕЕО		Носете защитно облекло
	Носете предпазни очила		Носете защитна маска

- ИЗПОЛЗВАНЕ НА ЛИЧНИ ПРЕДПАЗНИ СРЕДСТВА

- Носете предпазни очила в съответствие с EN166
- Използвайте защитни маски в съответствие с EN149

- Използвайте други прецизни лични предпазни средства в зависимост от вида на работата.

CE Изделието изпълнява изискванията на директивите на Европейския Съюз:

- Директива за съоръжения, работещи с ниско напрежение - Low voltage directive (LVD)
- Директива за електромагнитна съвместимост - Electromagnetic compatibility (EMC)

Изделието е маркирано със знак CE върху информационната таблица.



Ако продуктът е означен със символ на зачеркната кофа за боклук, това означава, че продуктът е в съответствие с Европейската директива 2012/19/EU. Трябва да се запознаете с изискванията относно местното разделно събиране на излязлото от употреба електронно и електрическо оборудване. Да се следват действащите местни разпоредби. Този продукт не бива да се изхвърля заедно с битовите отпадъци. Правилното утилизиране на излезлия от употреба продукт ще предотврати потенциалните негативни ефекти върху природната среда и човешкото здраве.

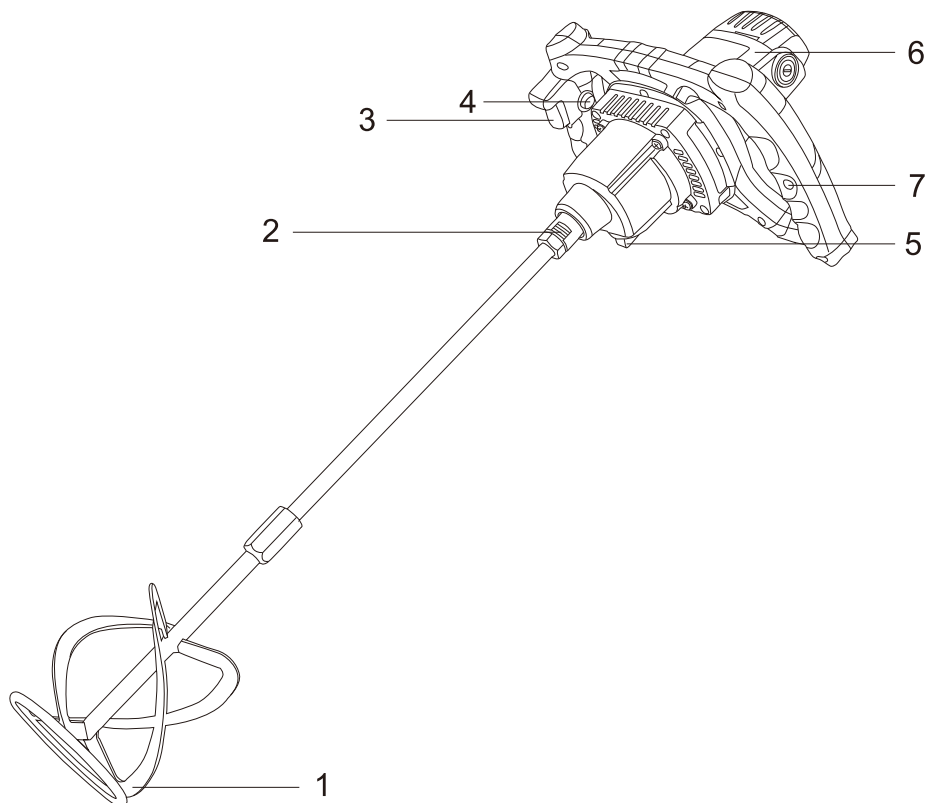
Информации за защита на околната среда. Опаковката съдържа само необходимите елементи. Положени са всички усилия за лесното отделяне на трите съставни елемента на опаковката: картон (кутия), пенополистирол (вътрешна защита) и полиетилен (пликове, защитен слой). Уредът е произведен от материали, които подлежат на рециклиране и повторно използване след демонтаж от специализирана фирма. Трябва да спазвате местните разпоредби за рециклиране на опаковъчните материали, изтощените батерии и излезлите от употреба устройства.



Уредът е произведен от висококачествени материали и подвъзли, които подлежат на рециклиране и повторно използване.

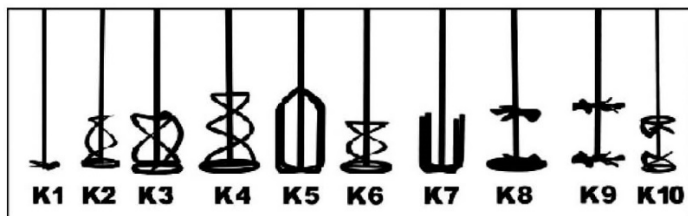
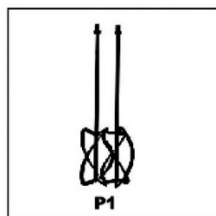
1. Изграждане на устройството

1. Смесител
2. Свързващо гнездо за бъркалка M14
3. Превключвател
4. Бутон за заключване на превключвателя
5. Превключвател за смяна на предавките
6. Корпус на двигателя
7. Копче за регулиране на скоростта



2. Избор на бъркалка

За смесителите с един инструмент за смесване доставяме бъркалки K3 като стандартно оборудване. Възможно е да се инсталират и други смесители с винтова връзка M14 (K1-k10 и др.).

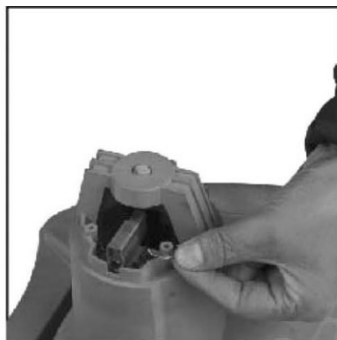


3. Правилната поддръжка на машината може да удължи нейния живот; Превключвателят на дръжката трябва винаги да функционира правилно и трябва да се поддържа добре; Инструментите за смесване трябва да се почистват, след като се изсипят или не се използват дълго време; Обикновено течаща вода или кварцов пясък могат да почистят добре инструментите за смесване. Валът за смесване винаги трябва да бъде защитен от замърсяване; върху отвора на шестоъгълното гнездо винаги трябва да се поставя защитен капак;

Когато машината работи, вентилационният отвор на корпуса на двигателя не трябва да се закрива; в машината не трябва да има запалими материали;
Отдушникът трябва да се почиства често;



Picture.1



Picture.2

Въглеродната четка трябва да се проверява и поддържа, когато машината е била в експлоатация до 60 часа, като своевременно се сменя, ако се установи, че четката е износена.
(Фиг.1) Първо изключете захранването, свалете корпуса на двигателя.
(Фиг.2) Извадете плочата и поставете на нейно място. въглеродната четка.

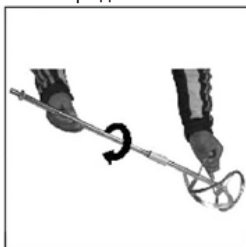
4 Монтаж и експлоатация

В уреда трябва да се използват смесители, които са оборудвани с присъединителен край с външна резба M14. Монтажът на бъркалката в уреда се извършва в следните стъпки:

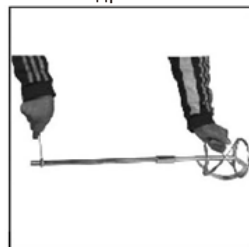
1. Извадете щепсела от електрическия контакт, ако е бил свързан.
2. Завъртете устройството така, че да има свободен достъп до щуцера.
3. Поставете края на смесителя - този с резба - в отвора на щуцера и след това го затегнете.
4. Като държите щуцера със съответния предоставен гаечен ключ, затегнете здраво смесителя.



Picture.1



Picture.2



Picture.3



Picture.4



Picture.5

РЕГУЛИРАНЕ НА СКОРОСТТА

За промяна на скоростта се използва копче (фиг. 7), разположено от вътрешната страна на лявата дръжка.

ПРЕВКЛЮЧВАНЕ НА ПРЕДАВКИТЕ

За промяна на силата на въртящия момент се използва копче (фиг.6).

Когато променяте диапазона на скоростта, не забравяйте, че тази операция трябва да се извършва само при изключена машина. В противен случай редукторът може да се повреди - ако при смяна на предавките има съпротивление, завъртете леко щуцера за да се зацепят предавките.



(Picture 6)



(Picture 7)

ПРЕВКЛЮЧВАТЕЛ ЗА ВКЛЮЧВАНЕ/ИЗКЛЮЧВАНЕ

Превключвателят за включване/изключване (3) на машината е разположен на дясната дръжка и е предназначен за предотвратяване на случайно стартиране.

За да стартирате електроинструмента, натиснете блокировката (4) и след това превключвателя (3). Електроинструментът се изключва, когато бутонът за превключване (6) се освободи. Не натискайте превключвателя за включване/изключване (6), без преди това да сте освободили (натиснали) заключващото устройство (5), тъй като това може да повреди инструмента.

Техническа спецификация:

Модел	Em5010
Номинално електрическо напрежение	230 V~50 Hz
Номинална мощност на изхода:	1400 W
Номинална скорост на празен ход:	0-600/min 0-900/min
Диаметър на смесителя	120 mm
Ниво на звуково налягане	LpA =92.0dB(A)
Ниво на звукова мощност	LWA =103.0dB(A)
Неопределеност K	K =3dB(A)
Максимална стойност на вибрациите	3.157m/s ²
Неопределеност K	K =1.5m/s ²

INFORMAȚII IMPORTANTE

Pentru a obține cea mai mare satisfacție, a vă bucura de performanța produsului și pentru a afla toate caracteristicile și funcțiile acestuia, vă rugăm să citiți acest manual înainte de a utiliza acest produs.

Înainte de a utiliza dispozitivul, citiți instrucțiunile de utilizare și urmați instrucțiunile conținute în acestea. Producătorul nu este responsabil pentru nicio daune cauzate de utilizarea dispozitivului contrar utilizării prevăzute sau de funcționare necorespunzătoare.

Manualul de instrucțiuni trebuie păstrat astfel încât să poată fi utilizat și în timpul utilizării ulterioare a produsului.

- Aparatul este utilizat numai pentru uz casnic. Nu utilizați în alte scopuri decât cele prevăzute.
- Aparatul trebuie conectat exclusiv la o priză cu caracteristici compatibile cu valorile înscrise pe plăcuța de identificare.
- Asigurați-vă că consumul total de energie al tuturor dispozitivelor conectate la priza de perete nu depășește sarcina maximă a siguranței.
- În cazul în care utilizați un cablu prelungitor, asigurați-vă că consumul total de energie al aparatului conectat la cablul prelungitor nu depășește parametrii de sarcină ai cablului prelungitor. Cablul prelungitor trebuie să fie aranjat astfel, încât să se evite tragerea sa accidentală și împiedicarea de acesta.
- Nu permiteți ca cablul de alimentare a aparatului să atârne pe marginea unei mese sau un raft, sau să atingă o suprafață fierbinte.
- Aparatul nu este proiectat pentru a fi controlat prin intermediul unui temporizator extern, a unei telecomenzi separate sau a altui echipament, care poate porni aparatul în mod automat.
- Înainte de efectuarea lucrărilor de întreținere trebuie să deconectați neapărat aparatul de la sursa de alimentare.
- Deconectând cablul de alimentare trebuie să trageți întotdeauna de ștecher. Niciodată nu

- trebuie să scoateți cablul de alimentare din priză trăgând de cablu, deoarece priza sau cablul poate să se deterioreze sau în cazuri extreme se poate ajunge la o electrocutare soldată cu moartea.
- Nu lăsați echipamentul conectat la priză fără supraveghere.
- Nu scufundați aparatul în apă sau orice alt lichid.
- Dispozitivul ar trebui să fie curățat în mod regulat în conformitate cu recomandările descrise în secțiunea privind curățarea și întreținerea.
- Nu așezați aparatul în apropierea surselor de căldură, de flăcări, sau lângă un element de încălzire electric sau un cuptor fierbinte. Nu-l plasați pe nici un alt dispozitiv.
- Acest aparat poate fi folosit de copii cu vârsta de cel puțin 8 ani și de persoane cu capacități fizice și mintale limitate, și de persoane cu lipsă de experiență și cunoștințe, în cazul în care va fi asigurată o supraveghere adecvată sau va fi efectuată o instruire privind utilizarea aparatului într-un mod sigur, astfel încât, pericolele asociate cu acesta să fie ușor de înțeles. Copiii nu ar trebui să se joace cu aparatul. Copiii fără supraveghere nu trebuie să efectueze curățarea și întreținerea aparatului.
- Este necesară o prudență maximă atunci când utilizați aparatul în apropierea copiilor sau animalelor de companie. Nu permiteți copiilor să se joace cu aparatul.
- Nu folosiți aparatul în apropierea materialelor inflamabile.
- Nu expuneți aparatul la acțiunea condițiilor meteorologice (ploaie, soare, etc.) și nu-l utilizați în condiții de umiditate ridicată (băi, case de camping umede).
- Verificați periodic starea cablului de alimentare. În cazul în care, cablul de alimentare ne deconectat se va deteriora, atunci acesta trebuie înlocuit la producător sau la un punct de service specializat sau de către o persoană calificată, pentru a evita pericolul.
- Nu utilizați aparatul cu un cablu de alimentare, un ștecher deteriorat sau dacă a fost scăpat pe jos sau deteriorat în vreun alt mod sau funcționează defectuos. Nu reparați singuri aparatul, deoarece acest lucru poate provoca șoc

electric. Aparatul deteriorat trebuie dus la un centru de service corespunzător pentru verificare sau reparații. Orice reparații pot fi efectuate numai de punctele de service autorizate. Reparația necorespunzătoare poate duce la un pericol serios pentru utilizator.

- Utilizați numai accesorii originale la aparat sau recomandate de către producător. Utilizarea accesoriilor nerecomandate de producător poate duce la deteriorarea aparatului și punerea în pericol a siguranței de utilizare.
- Păstrați-vă locul de muncă ordonat și bine iluminat.
- Dezordinea și iluminarea insuficientă duc la accidente.
- Nu utilizați unelte electrice în atmosfere potențial explozive, adică în prezența lichidelor, gazelor sau prafului inflamabile.
- Un moment de neatenție poate duce la pierderea controlului instrumentului.
- Dacă sunt disponibile instrumente de extracție sau colectare a prafului, verificați dacă acestea sunt atașate și funcționează corect. Utilizarea unor astfel de scule electrice reduce riscul prezentat de prezența prafului.
- Nu vă aplecați prea departe cu unealta electrică. Mențineți o postură și un echilibru stabil. Datorită acestui lucru, veți avea un control mai bun asupra uneltei electrice în situații neprevăzute.
- Evitați pornirea accidentală a uneltei electrice. Asigurați-vă că întrerupătorul de alimentare este în poziția OPRIT înainte de a conecta unealta electrică la rețea. Mutarea uneltei electrice cu degetul pe declanșator sau conectarea uneltei electrice la rețeaua de alimentare după pornire poate duce la accidente.
- Purtați îmbrăcăminte adecvată. Nu lucrați în haine largi și nu purtați bijuterii în timpul lucrului. Păstrați părul, îmbrăcăminte și mănușile departe de piesele în mișcare. Piesele mobile ale uneltei electrice pot prinde și trage hainele largi, bijuteriile sau părul lung.
- Scoateți toate cheile sau uneltele de pe unealta electrică înainte de a o porni. O unealtă sau o cheie conectată în

continuare la partea rotativă a uneltei electrice poate provoca vătămări corporale.

- Când lucrați cu unelte electrice, fiți atenți, concentrați-vă asupra muncii și folosiți bunul simț. Nu utilizați unealta electrică dacă sunteți obosit sau sub influența drogurilor, alcoolului sau medicamentelor. Chiar și un moment de neatenție atunci când lucrați cu unealta electrică poate duce la un accident grav.
- Țineți copiii departe de zona de lucru și NU permiteți copiilor să tragă de cablul de alimentare - acest lucru poate provoca vătămări grave.
- Așezați și utilizați întotdeauna unealta electrică pe o suprafață stabilă, plană și plană.
- Înainte de a face orice reglare, de a schimba accesoriile sau de a depozita unelte electrice, rotiți comutatorul de alimentare în poziția oprit pentru a deconecta unealta electrică de la sursa de alimentare. Aceste acțiuni preventive reduc riscul de pornire accidentală a uneltei electrice.
- Verificați dacă carcasa este deteriorată înainte de fiecare utilizare.
- Asigurați-vă că orificiile de ventilație nu prezintă depuneri.
- Aparatul poate fi utilizat numai într-un mediu uscat, bine luminat.
- Acest instrument nu trebuie utilizat de către persoanele sub 16 ani.
- Acest aparat este destinat numai utilizării în exterior. A nu se utiliza în alte scopuri incompatibile cu scopul prevăzut.
- Nivelul de zgomot în timpul funcționării poate depăși 85 dB (A); purtați echipament de protecție auditivă.

Agitator – reguli de siguranță.

Mixerul și agitatorul nu sunt destinate preparării alimentelor pentru oameni sau animale. Numai substanțele și materialele utilizate în construcții pot fi amestecate.

- Corpul aparatului și uneltele utilizate nu îndeplinesc standardele de igienă necesare pentru prelucrarea

- alimentelor.
- b) Nu utilizați dispozitivul pentru amestecarea substanțelor inflamabile sau explozive.
 - În timpul funcționării mixerului, se formează scântei electrice în motorul de acționare, care pot să conducă la aprinderea vaporilor de substanțe amestecate.
 - c) Înainte de amestecarea materialelor de construcție, consultați instrucțiunile de utilizare sau fișa cu date de securitate a materialelor (MSDS).
 - Anumite tipuri de materiale sau substanțe chimice prezintă un pericol pentru sănătate sau viața umană și procesul de amestecare a acestora poate fi legat de îndeplinirea condițiilor.
 - d) Atunci când se amestecă materiale în afara rezervorului, ambele mâini trebuie să fie ținute suporturile izolate electric ale dispozitivului.
 - Există întotdeauna riscul să întâlniți cabluri electrice ascunse în timpul lucrului care sunt sub tensiune. Marginile ascuțite ale unor agitatoare pot provoca accidente cu ușurință sau pot tăia cablul electric, ceea ce poate duce la electrocutare.
 - e) Când amestecați materiale, acordați atenție poziției cablului de alimentare al mixerului, astfel încât acesta să nu se afle în apropierea uneltei rotative de lucru (agitator).
 - Cablul de alimentare al sculei electrice trebuie să fie amplasat în afara zonei de lucru a agitatorului, ceea ce îl poate deteriora sau tăia, creând astfel un pericol electrocutare.
 - f) Rezervorul în care sunt amestecate materialele trebuie așezat pe o suprafață plană și dreaptă, astfel încât astfel încât să nu se încline sau să se clatine în timpul amestecării.
 - Mișcarea necontrolată a rezervorului în timpul amestecării poate duce la situații periculoase.
 - g) Țineți unealta electrică ferm și sigur, cu ambele mâini, de mânerul izolat, menținând în același timp o poziție stabilă.
 - h) Dacă unealta electrică este foarte murdară cu material amestecat, de exemplu după căderea în rezervor cu amestecul, mixerul trebuie oprit imediat și deconectați-l

de la rețeaua electrică.

- Utilizarea unei scule electrice care a primit apă sau componente de amestec, poate deteriora dispozitivul și, de asemenea, creează un risc de electrocutare.
 - i) Când amestecați lichide și lichide, asigurați-vă că picăturile lor nu intră în interiorul uneltei electrice.
- Intrarea în interiorul uneltei electrice a lichidelor creează un risc de electrocutare.
 - j) Dacă unealta de lucru (agitatorul) se blochează în timpul amestecării, opriți imediat mixerul. În același timp, păziți-vă de forța de recul rezultată, care poate duce la smulgerea dispozitivului din mâinile operatorului.
- Utilizarea de instrumente de lucru nefuncționale, de exemplu, agitator îndoit, sau furnizarea de supraîncărcarea dispozitivului, operatorul poate duce la situații periculoase.
 - k) Mixerul nu este proiectat pentru a fi montat pe rafturi, suporturi etc.
- Țineți întotdeauna dispozitivul în mâini, cu ambele mâini, cu o prindere fermă.
 - l) Rețineți că viteza de rotație se modifică cu ajutorul comutatorului de viteză (l saull angrenaj), poate fi efectuată numai atunci când dispozitivul este oprit.
- Modificarea vitezei de rotație în timpul funcționării dispozitivului poate duce la deteriorarea acestuia. Valoarea dată a emisiei de vibrații a fost măsurată în conformitate cu procedurile standardizate și poate varia în funcție de utilizarea uneltei electrice. În cazuri excepționale, poate depăși valoarea specificată. Vibrațiile de lungă durată pe mâinile operatorului pot provoca vătămări similare cu cele provocate de degerături. Este în primul rând indicată de înțepături sau arsuri la nivelul degetelor, precum și paloare excesivă. Aceste simptome indică faptul că unealta electrică a fost utilizată prea mult timp. Pentru a evita riscul unor efecte adverse ale vibrațiilor asupra mâinilor operatorului,

urmați câteva principii de bază:

- timpul de lucru zilnic cu unealta electrică trebuie să conștie în pauze regulate, în timpul cărora se recomandă efectuarea altor activități,
 - exersați mâinile și brațele în timpul pauzelor pentru a îmbunătăți circulația,
 - purtați mănuși de protecție care protejează suplimentar împotriva efectelor negative ale vibrațiilor,
- Dacă, în ciuda respectării recomandărilor de mai sus, operatorul nu se simte bine, de exemplu, dacă există umflături acesta trebuie să se adreseze imediat medicului dumneavoastră.

În plus, este necesar:

- să evitați să luați o poziție incomodă (de exemplu, printr-un punct de echilibru nealinat) în care încheieturile mâinilor sunt răsucite în mod nenatural,
- să utilizați pauze regulate pentru a elimina efectul de sarcină repetitivă,
- în cazul oricăror simptome de mâini oboseite, durere experimentată, consultați un doctor.

Fenomenul de respingere:

- Este o reacție bruscă, necontrolată a dispozitivului la un blocaj sau blocaj al instrumentului de lucru. Blocajul sau blocarea duce la o oprire bruscă a instrumentului rotativ, ceea ce duce la o smucire bruscă a dispozitivului.
- Fenomenul de respingere este rezultatul utilizării necorespunzătoare sau incorecte a dispozitivului și al nerespectării procedurilor de siguranță cuprinse în manualul de utilizare al dispozitivului.

Metode de prevenire a aruncării capturilor înapoi în mare:

- Dispozitivul trebuie ținut ferm și în siguranță, iar poziția mâinilor și a corpului trebuie să prevină apariția fenomenului de respingere sau să atenueze acest fenomen în cazul apariției lui,
 - Țineți mâinile departe de uneltele de lucru rotative.
- În caz de defecțiune a aparatului, opriți imediat lucrul și











deconectați aparatul de la sursa de alimentare. Apoi verificați cauza defecțiunii și, dacă este necesar, returnați dispozitivul la un centru de service autorizat.

Este interzisă utilizarea uneltelor de lucru defecte, de exemplu, curbe sau agitatoare deteriorate, deoarece acest lucru poate duce la supraîncărcarea dispozitivului ca urmare a situațiilor periculoase. Mixerul nu este proiectat pentru a fi montat permanent pe diferite tipuri de suporturi, suporturi sau rafturi.

Țineți întotdeauna aparatul cu ambele mâini, cu o prindere fermă pe mânerul izolat.


Viteza de rotație poate fi modificată cu ajutorul selectorului de viteză numai atunci când utilajul este oprit și motorul nu funcționează.

Modificarea vitezei de rotație în timpul funcționării dispozitivului poate duce la deteriorarea acestuia.

	Citiți cu atenție instrucțiunile de utilizare și toate măsurile de siguranță înainte de a începe.		Purtați încălțăminte de protecție
	Produsul îndeplinește cerințele standardelor de siguranță WE		Purtați protecție pentru urechi
	Nu expuneți aparatul la ploaie sau umiditate.		Purtați mănuși de protecție
	Eliminați produsul în conformitate cu prevederile Directivei DEEE		Purtați îmbrăcăminte de protecție adecvată
	Purtați ochelari de protecție		Purtați o mască de protecție

PURTAȚI ECHIPAMENT INDIVIDUAL DE PROTECȚIE

- Purtați ochelari de protecție în conformitate cu EN166
- Purtați măști de protecție în conformitate cu EN149
- Utilizați alte echipamente individuale de protecție de precizie, în funcție de tipul de muncă efectuată.

 Aparatul are compatibil cu cerințele directivelor Uniunii Europene:

- Aparate de joasă tensiune - Low voltage directive (LVD)
- Compatibilitate electromagnetică - Electromagnetic



Dacă pe aparat se află simbolul coș de gunoi barat, aceasta înseamnă că produsul care intră sub incidența Directivei Europene 2012/19/EU. Vă rugăm să consultați cerințele sistemului local de colectare a echipamentelor electrice și electronice uzate. Trebuie să procedați în conformitate cu reglementările locale. Se interzice aruncarea acestui produs împreună cu gunoiul menajer. Eliminarea corectă a produsului dumneavoastră vechi va preveni consecințe negative asupra mediului înconjurător și asupra sănătății umane.

Informații privind protecția mediului: Ambalajul include numai elementele necesare. Au fost depuse toate eforturile, pentru ca cele trei materiale care intră în componența ambalajului să fie ușor de separat: carton (cutie), spumă de polistiren (securitate interior) și polietilenă (pungi, folii de protecție). Aparatul este fabricat din materiale care pot fi supuse reciclării și reutilizării din nou după dezasamblarea acestora de către o companie specializată. Respectați reglementările locale cu privire la depozitarea materialelor de ambalare, a bateriilor uzate și a echipamentelor inutile.

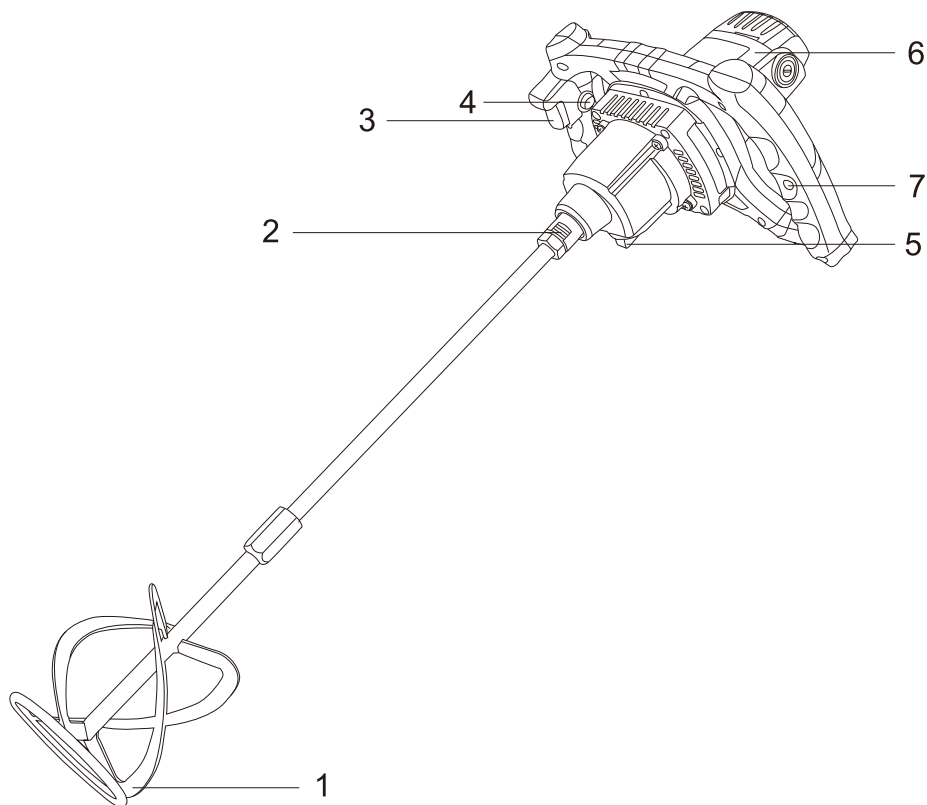


Produsul a fost fabricat din materiale și componente de înaltă calitate care pot fi supuse reciclării și utilizate din nou.

1. Structura dispozitivului

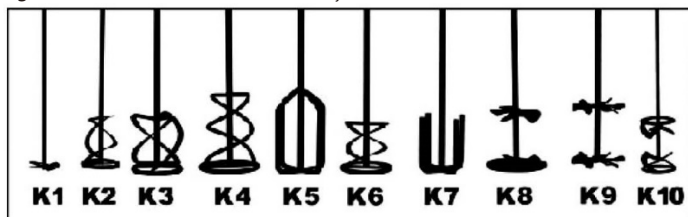
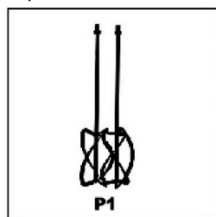
1. Agitator
2. Priză de conectare pentru agitator M14
3. Comutator

4. Buton de blocare a comutatorului
5. Comutator pentru schimbător de viteză
6. Carcasă motor
7. Buton de control al rotației



2. Alegerea agitatorului

Pentru mixerul cu un singur instrument de amestecare, furnizăm agitatoare K3 ca echipament standard. Este posibilă instalarea altor agitatoare utilizând conexiunea cu șurub M14 (K1-k10 etc.).



3. Curățarea și întreținerea dispozitivului

Întreținerea corectă a mașinii poate prelungi durata de viață; Comutatorul de prindere trebuie să funcționeze întotdeauna corect și trebuie să fie bine întreținut; sculele de amestecare trebuie curățate după amorsare și nu trebuie utilizate pentru o lungă perioadă de timp; în mod normal, apa curentă sau nisipul de cuarț pot curăța bine sculele de amestecare.

Arborele de amestecare trebuie să fie întotdeauna protejat împotriva contaminării;

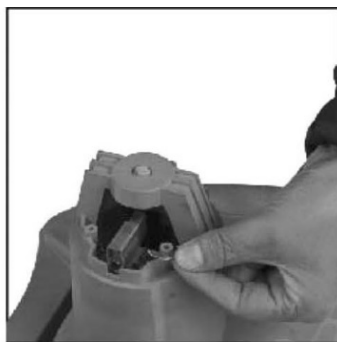
la orificiul hexagonal al prizei trebuie montată întotdeauna o apărătoare de siguranță;

Ventilația carcasei motorului nu trebuie să fie acoperită în timpul funcționării utilajului, nu trebuie să existe materiale inflamabile pe utilaj;

Aerisirea trebuie curățată frecvent;



Picture.1



Picture.2

Peria de carbon trebuie verificată și întreținută atunci când mașina funcționează timp de până la 60 de ore, peria trebuie înlocuită la timp în cazul în care se constată că peria este uzată.

(Fig.1) Mai întâi deconectați sursa de alimentare, scoateți carcasa motorului.

(Fig.2) Scoateți placa și înlocuiți peria de carbon.

4. Montaj și funcționare

Dispozitivul trebuie să utilizeze agitatoare care sunt echipate cu un capăt de conectare cu un filet M14 extern. Instalarea agitatorului în dispozitiv se efectuează în următoarele etape:

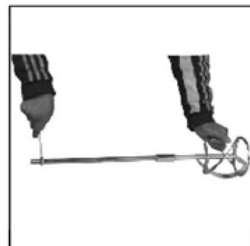
1. Scoateți ștecherul din priza electrică dacă a fost conectat la priză.
2. Rotiți utilajul astfel încât să fie asigurat accesul liber la arbore.
3. Introduceți vârful mixerului – cel filetat – în orificiul axului și apoi strângeți.
4. În timp ce țineți axul cu cheia corespunzătoare inclusă în set, strângeți bine mixerul.



Picture.1



Picture.2



Picture.3



Picture.4



Picture.5

REGLAREA VITEZEI DE ROTATIE

Pentru a modifica viteza de rotație, utilizați butonul (Fig. 7), situat în interiorul mânerului din stânga.

SCIMBAREA TREPTELOR DE VITEZĂ

Pentru a schimba cuplul, folosiți butonul (Fig. 6).

Când modificați intervalul de viteză de rotație, rețineți că această operațiune poate fi efectuată numai cu dispozitivul oprit. În caz contrar, cutia de viteze se poate deteriora - în caz de rezistență prin deplasare, roțiți ușor axul astfel încât pinioanele să se poată plasa.



(Picture 6)



(Picture 7)

PORNIREA/OPRIREA

Comutatorul de pornire/oprire (3) al mașinii este amplasat pe mânerul din dreapta și este proiectat astfel încât să împiedice pornirea accidentală.

Pentru a porni unealta electrică, apăsați blocarea (4) și apoi comutatorul (3). Dispozitivul este oprit atunci când butonul de comutare (6) este eliberat.

Nu apăsați comutatorul (6) fără a elibera (împinge) mai întâi încuietorea (5), deoarece acest lucru poate deteriora aparatul.

Specificații tehnice:

Model	Em5010
Tensiune nominală:	230 V~50 Hz
Putere nominală:	1400 W
Turația nominală în gol	0-600/min 0-900/min
Diametrul agitatorului	120 mm
Nivelul presiunii acustice	LpA =92.0dB(A)
Nivelul de putere acustică	LWA =103.0dB(A)
Incertitudinea K	K =3dB(A)
Valoarea maximă a vibrațiilor	3.157m/s ²
Incertitudinea K	K =1.5m/s ²

SVARBI INFORMACIJA

Siekdami pasiekti didžiausią pasitenkinimą, mėgautis gaminio efektyvumu ir sužinoti visas jo savybes ir funkcijas, prieš naudodami šį gaminį perskaitykite šią instrukciją.

Prieš naudodami įrenginį, perskaitykite naudojimo instrukciją ir laikykitės joje pateiktų nurodymų. Gamintojas neatsako už žalą, atsiradusią dėl prietaiso naudojimo ne pagal paskirtį arba netinkamo jo naudojimo.

Naudojimo instrukciją reikia saugoti, kad ja būtų galima naudotis ir vėliau naudojant gaminį.

- Prietaisas namų vartojimui. Nenaudoti ne pagal paskirtį.
- Prietaisą reikia prijungti tik prie lizdo pagal charakteristika specifikacijos lentelėje.
- Įsitikinkite, kad bendras energijos suvartojimas visų prietaisų prijungtų prie sieninio lizdo neviršija maksimalios saugiklio apkrovos.
- Jei naudojate ilgintuvą įsitikinkite, ar bendras prijungtų prie lygintuvo įrenginių galios suvartojimas neviršija ilgintuvo parametrų. Ilgintuvo kabelis turi būti padėtas taip, kad išvengtų atsitiktinių patraukimų ir užkliuvimų.
- Neleiskite, kad prietaiso maitinimo kabelis kabotų ant stalo ar lentynos briaunos arba kad liestų karštą paviršių.
- Prietaisas nėra skirtas valdyti su išoriniu laikmačiu, atskiru valdymo pultu ar kitu įrenginiu, kuris gali automatiškai įjungti prietaisą.
- Prieš priežiūros darbus reikia visada atjungti prietaisą nuo elektros šaltinio.
- Atjungiant maitinimo kabelį reikia visada ištraukti jį iš lizdo laikant už kištuko. Niekada negalima atjungti maitinimo kabelio traukiant už kabelio, nes taip galima sugadinti kištuką arba kabelį, kraštutiniais atvejais gali netgi sukelti mirtiną elektros šoką.
- Negalima palikti įjungto į lizdą prietaiso be priežiūros.
- Nemerkite prietaiso vandenyje ar kitame skystyje.
- Prietaisas turi būti reguliariai valomas pagal rekomendacijas aprašytas dalyje: Prietaiso valymas ir priežiūra.

- Nedėkite prietaiso arti šilumos šaltinių, liepsnos, elektrinio šildomojo elemento ar ant karštos orkaitės. Nedėkite ant jokio kito prietaiso.
- Šį prietaisą gali naudoti vaikai ne mažiau kaip 8 metų ir fiziškai ir protiškaite riboti asmenys bei asmenys neturintys patirties ir nežinantys prietaiso, jei bus užtikrinta priežiūra ir mokymai apie saugų prietaiso naudojimą, taip kad susijusi su prekės naudojimui rizika būtų suprantama. Vaikai negali žaisti su prietaisu. Vaikai be priežiūros negali atlikti prietaiso valymo ar priežiūros.
- Būkite itin atsargūs naudojant prietaisą, kai netoliese yra vaikai ar namų gyvūnai. Neleiskite vaikams žaisti su prietaisu.
- Nenaudoti prietaiso netoli degių medžiagų.
- Saugokite prietaisą nuo oro sąlygų veikimo (lietaus, saulės ir pan.) bei nenaudokite padidintos drėgmės sąlygose (vonios kambarys, drėgni vasarnamiai).
- Periodiškai tikrinkite maitinimo kabelio būklę. Jei neatjungiamas maitinimo kabelis bus sužalotas, tai turi būti jis iškaičiamas pas gamintoją ar specializuotame servise arba kvalifikuoto asmens dėl pavojaus išvengimo. Nenaudokite prietaiso su sugadintu maitinimo kabeliu, kištuku ar jei buvo jis numestas ar sužalotas kokiu nors kitu būdu arba veikia netinkamai. Netaisykite prietaiso savarankiškai, nes tai gali sukelti elektros šoką. Sugadintą prietaisą atiduokite į atitinkamą servisą dėl patikrinimo arba taisymo. Visi taisymai gali būti atliekami tik autorizuotuose servisuose. Neatitinkamai atliktas taisymas gali sukelti vartotojui rimtą pavojų.
- Naudokite originalius arba gamintojo rekomenduojamus prietaiso priedus. Gamintojo nerekomenduojamų priedų naudojimas gali sukelti žalas bei pavojų.
- Laikykite savo darbo vietą tvarkingą ir gerai apšviestą.
- Netvarkingumas ir nepakankamas apšvietimas sukelia nelaimingų atsitikimų.
- Nenaudokite elektrinių įrankių potencialiai sprogioje

- aplinkoje, t. y. ten, kur yra degių skysčių, dujų ar dulkių.
- Akimirka neatidumo gali sukelti įrankio valdymo praradimą.
 - Jei galima prijungti elektrinius įrankius prie dulkių nusiurbimo arba surinkimo įrankių, patikrinkite, ar jie pritvirtinti ir tinkamai veikia. Naudojant tokius elektrinius įrankius sumažina pavojaus dėl dulkių riziką.
 - Nesilenkite per toli naudodami elektriniu įrankiu. Išlaikykite stabilią laikyseną ir pusiausvyrą. Dėl to galėsite geriau valdyti elektrinį įrankį ištikus nenumatytiems atvejams.
 - Stenkitės netyčia neįjungti elektrinio įrankio. Prieš prijungdami elektrinį įrankį prie elektros tinklo, įsitikinkite, kad maitinimo išjungiklis yra išjungtoje padėtyje (OFF). Elektrinį įrankį nešant pirštu ant gaiduko arba prijungiant elektrinį įrankį prie tinklo įjungus elektrinį įrankį, gali sukelti nelaimingus atsitikimus.
 - Dėvėkite tinkamus drabužius. Nedirbkite dėvėdami laisvus drabužius ir nenešiokite papuošalų dirbdami. Plaukus, drabužius ir pirštines laikykite toliau nuo judančių dalių. Judančios elektrinio įrankio dalys gali sugriebti ir įtraukti laisvus drabužius, papuošalus ar ilgus plaukus.
 - Prieš paleisdami elektrinį įrankį, išimkite iš jo visus veržliarakčius arba įrankius. Prie besisukančios elektrinio įrankio dalies vis dar prijungtas įrankis arba veržliaraktis gali sukelti sužalojimą.
 - Dirbdami su elektriniais įrankiais būkite atsargūs, susikaupkite atlikdami darbą ir vadovaukitės sveika nuovoka. Nenaudokite elektrinio įrankio, kai esate pavargę arba apsvaigę nuo narkotikų, alkoholio ar vaistų. Net akimirka neatidumo naudojant elektrinius įrankius gali sukelti rimtą nelaimingą atsitikimą.
 - Saugokite vaikus nuo darbo zonos ir **NELEISKITE** vaikams traukti maitinimo laido – tai gali sukelti rimtą sužalojimą.
 - Visada pastatykite ir naudokite elektrinius įrankius ant stabilaus, lygaus ir horizontalaus paviršiaus.
 - Prieš atlikdami bet kokius reguliavimus, keisdami priedus arba laikydami elektrinius įrankius, pasukite maitinimo

įjungklį į išjungimo padėtį, kad atjungtumėte elektrinį įrankį nuo maitinimo šaltinio. Tokios prevencinės priemonės sumažina elektrinio įrankio netyčinio įjungimo riziką.

- Prieš kiekvieną naudojimą patikrinkite, ar korpusas nepažeistas.
- Įsitikinkite, kad ventiliacijos angose nėra nuosėdų.
- Prietaisą galima naudoti tik sausoje, gerai apšviestoje aplinkoje.
- Šio įrankio neturėtų naudoti jaunesni nei 16 metų asmenys.
- Prietaisas skirtas naudoti tik lauke. Nenaudokite kitiems tikslams, kurie neatitinka numatyto naudojimo.
- Triukšmo lygis veikimo metu gali viršyti 85 dB (A); dėvėkite klausos apsaugos priemones.

Maišiklis – saugos įspėjimai.

Maišytuvas ir maišiklis nėra skirti maistui žmonėms ar gyvūnams

ruošti. Galime maišyti tik statyboje naudojamas medžiagas.

- Prietaiso korpusas bei naudojami įrankiai neatitinka higienos normų, reikalingų maisto perdirbimui.

b) Prietaiso negalima naudoti degioms ar sprogioms medžiagoms maišyti.

- Maišytuvui veikiant pavaros variklyje susidaro elektros kibirkščių, kurios gali sukelti maišomų medžiagų garų užsidegimą.

c) Prieš maišydami statybines medžiagas, perskaitykite jų naudojimo instrukciją arba medžiagų saugos duomenų lapą (MSDS).

- Tam tikros medžiagos ar cheminės medžiagos sukelia pavojų sveikatai arba žmogaus gyvybei ir jų maišymo procesas gali priklausyti nuo tam tikrų sąlygų.

d) Maišydami medžiagas ne rezervuare, abiem rankomis laikykite elektrinio įrankio izoliuotas rankenas.

- Visada yra rizika, kad darbų metu galima aptikti paslėptus įtampai esančius elektros kabelius. Kai kurių maišiklių aštrūs kraštai gali lengvai sugadinti arba nupjauti elektros laidą, o

- tai gali sukelti elektros smūgį.
- e) Maišydami medžiagas atkreipkite dėmesį į maišytuvo maitinimo laidą padėtį, kad jis nebūtų šalia besisukančio darbo įrankio (maišiklio).
 - Elektrinio įrankio maitinimo laidas turi būti už maišytuvo darbo zonos ribų, nes jis gali jį sugadinti arba perpjauti, keldamas elektros smūgio pavojų.
 - f) Rezervuaras, kurioje maišomos medžiagos, turi būti pastatytas ant lygaus ir tiesaus pagrindo, kad maišymo metu nepasvirtų ir nesusvyruotų.
 - Nekontriuojamas rezervuaro judėjimas maišymo metu gali sukelti pavojingas padėtis.
 - g) Elektrinį įrankį tvirtai ir saugiai laikykite abiem rankomis už izoliuotų rankenų ir išlaikykite stabilią padėtį.
 - h) Jei elektrinis įrankis yra labai užterštas mišriomis medžiagomis, pvz.
įkritęs į rezervuarą su mišiniu, nedelsdami išjunkite maišytuvą bei atjunkite jį nuo elektros tinklo.
 - Elektrinį įrankio, į kurį pateko vanduo arba mišinio sudedamosios dalys, naudojimas gali sugadinti prietaisą ir sukelti elektros smūgio pavojų.
 - i) Maišydami skysčius, neleiskite lašeliams patekti į elektrinio įrankio vidų.
 - Į elektrinį įrankį patekę skysčiai gali sukelti elektros smūgio pavojų.
 - j) Jei maišymo metu darbo įrankis (maišiklis) užsikirs, nedelsdami išjunkite maišytuvą. Tai darydami atkreipkite dėmesį į susidariusią atatrąnkos jėgą, kuri gali būti išplėšti prietaisą iš operatoriaus rankų.
 - Naudodamas sugadintus darbo įrankius, pvz., kreivus maišiklius, arba perkraudamas prietaisą, operatorius gali sukurti pavojingą padėtį.
 - k) Maišytuvai, dėl savo konstrukcijos, nėra skirtas montuoti ant stovų, atramų ir pan.
 - Prietaisą visada tvirtai laikykite abiem rankomis.
 - l) Atkreipkite dėmesį, kad sukimosi dažnio keitimas greičio

jungikliu (1 arba 2 pavara), gali būti atliekamas tik išjungus prietaisą.

- Pakeitus sukimosi dažnį, kai prietaisas veikia, galite jį sugadinti.

Nurodyta vibracijų emisijos reikšmė buvo išmatuota pagal standartizuotas procedūras ir gali skirtis atsižvelgiant į tai, kaip naudojamas elektrinis įrankis. Išimtiniais atvejais gali viršyti nurodytą reikšmę.

Ilgalaikis operatoriaus rankų vibracijos poveikis gali sukelti į nušalimą panašius sužalojimus. Tai visų pirma pirštų dilgsėjimas ar deginimas, o taip pat per didelis rankų blyškumas.

Šie simptomai rodo, kad elektrinis įrankis buvo naudojamas per ilgai.

Norint išvengti neigiamo vibracijos poveikio operatoriaus rankoms rizikos, būtina laikytis kai kurių pagrindinių taisyklių:

- kasdienis darbo laikas naudojant elektrinį įrankį turi susidėti iš reguliarių pertraukų, kurių metu rekomenduojama užsiimti kita veikla,
 - per pertraukas atlikite delnų ir rankų pratimus kraujotakai gerinti,
 - dėvėkite apsaugines pirštines, kurios papildomai apsaugo nuo neigiamo vibracijos poveikio,
- Jei, nepaisant aukščiau pateiktų rekomendacijų laikymosi, operatorius blogai pasijaus, pvz., pastebės pirštų patinimą, jų per didelį blyškumą arba išnyks jautrumas, nedelsdami kreipkitės į gydytoją.

Be to, būtina:

- vengti dirbti nepatogią padėtį (pvz., dėl netinkamo pusiausvyros taško), kurioje riešai nenatūraliai susisukę,
- daryti reguliarias pertraukas, kad sumažintų pakartotinio krūvio poveikį;
- esant bet kokiems delnų ir rankų nuovargio ar skausmo simptomams, pasikonsultuoti su gydytoju.

Atatrąkos reiškinys:

- Tai staigi, nekontroliuojama prietaiso reakcija į užstrigusį ar

užblokuotą darbo įrankį. Užstrigimas arba užblokovimas sukelia staigų besisukančio įrankio sustojimą, o tai sukelia staigų įrankio trūkčiojimą.

- Atatrankos reiškinys yra netinkamo arba neteisingo prietaiso naudojimo ir prietaiso naudojimo instrukcijoje nurodytų saugos procedūrų nesilaikymo rezultatas.

Atatrankos reiškinio prevencijos metodai:

- Prietaisas turi būti laikomas tvirtai ir patikimai, o rankų ir kūno padėtis turi užkirsti kelią atatrankos reiškiniui arba sušvelninti šį reiškinį jam įvykus,
- Laikykite rankas toliau nuo besisukančių darbo įrankių. Prietaiso gedimo atveju nedelsiant nutraukite darbą ir atjunkite prietaisą nuo maitinimo šaltinio. Po to patikrinkite gedimo priežastį ir, jei reikia, nuneškite įrenginį į įgaliojantį aptarnavimo centrą.

Draudžiama naudoti sugadintus darbo įrankius, pvz., kreivus ar pažeistus maišiklius, nes tai gali sukelti prietaiso perkrovą ir, dėl to, pavojingų padėčių. Maišytuvas, dėl savo konstrukcijos, nėra skirtas visam laikui montuoti ant įvairių stovų, atramų ar stelažų.

Prietaisą visada tvirtai laikykite abiem rankomis už izoliuotos rankenos.

Sukimosi dažnio keitimas greičio jungikliu gali būti atliekamas tik tada, kai prietaisas išjungtas ir variklis neveikia. Pakeitę sukimosi dažnį, kai prietaisas veikia, galite jį sugadinti.

	Prieš paleisdami, atidžiai perskaitykite naudojimo instrukciją ir visas saugos taisykles.		Dėvėkite apsauginę avalynę
	Gaminys atitinka EB saugos standartų reikalavimus		Naudokite ausų apsaugą
	Saugokite prietaisą nuo lietaus ar drėgmės.		Dėvėkite apsaugines pirštines
	Išmeskite gaminį pagal EEJA direktyvos nuostatas		Dėvėkite apsauginę aprangą
	Dėvėkite apsauginius akinius		Dėvėkite apsauginę kaukę

NAUDOKITE ASMENINĖS APSAUGOS PRIEMONES

- Naudokite apsauginius akinius pagal EN166 standartą
- Naudokite apsaugines kaukes pagal EN149 standartą
- Naudokite kitas tikslias asmeninės apsaugos priemones, priklausomai nuo atliekamo darbo pobūdžio.



Prietaisas atitinka Europos Sąjungos direktyvų reikalavimams:

- Žemos įtampos elektros įrenginys - Low voltage directive (LVD)
- Elektromagnetinis suderinamumas - Electromagnetic compatibility (EMC) Gaminys su CE žymėjimu specifikacijos lentelėje



Jei prietaise yra perbrauktos šiukšliadėžės ženklas, reiškia tai, kad produktas apimtas 2012/19/EU direktyva. Reikia susipažinti su vietiniais reikalavimais dėl elektros ir elektronikos atliekų surinkimo. Reikia veikti pagal vietines taisykles. Nemeskite šio produkto kartu su kitomis namų apyvokos šiukšlėmis. Teisingas senų produkto informacija dėl aplinkos apsaugos Pakuotėje yra tik reikalingiausi elementai. Stengiamasi, kad trys sudėtinės pakuotės medžiagos būtų lengvai išskiriamos: kartonas (dėžutė), polistirolų putos (apsaugos viduje) ir polietilenas (krepšeliai, apsauginis lakštas). Prietaisas pagamintas iš medžiagų, kurias galima perdirbti ir vėl panaudoti po jų demontavimo specializuotose įmonėse. Laikykitės vietinių taisyklių dėl pakavimo medžiagų, panaudotų baterijų ir nereikalingų įrenginių šalinimo.

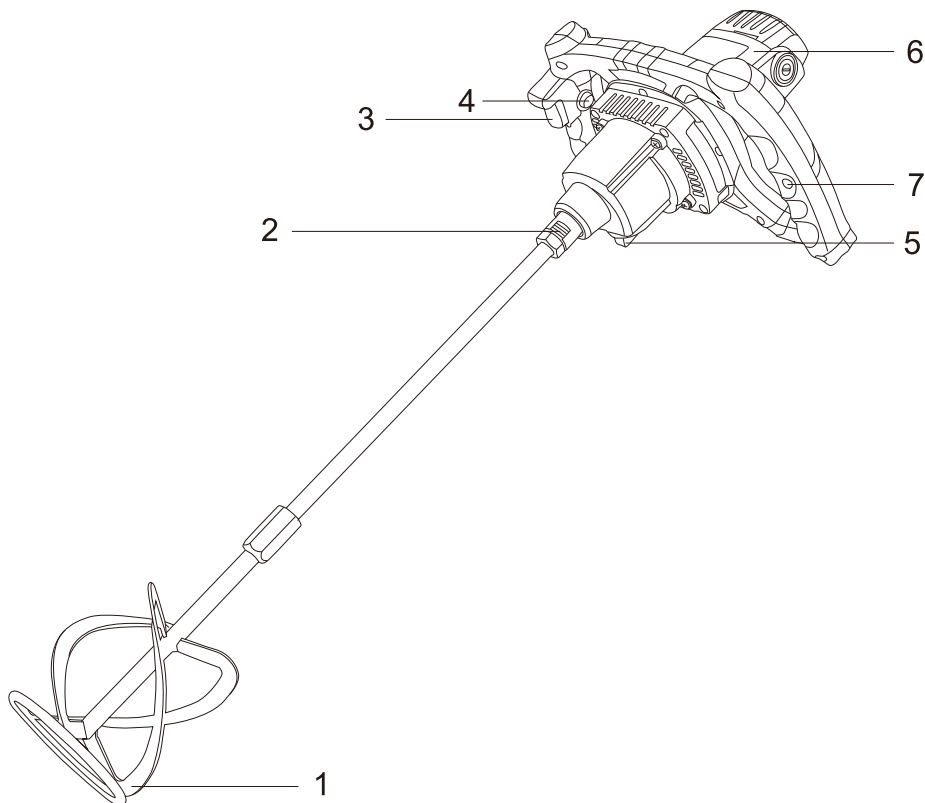


Produktas pagamintas iš aukštos kokybės medžiagų ir komponentų, kuriuos galima perdirbti ir vėl panaudoti.

1. Prietaiso konstrukcija

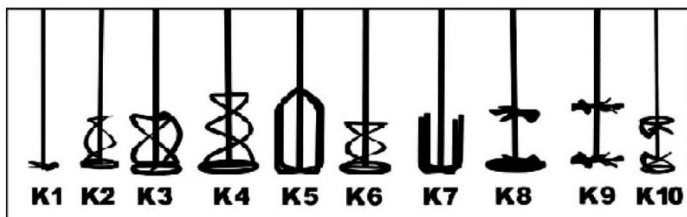
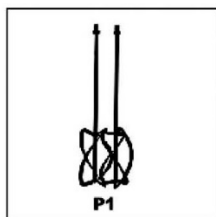
1. Maišiklis
2. Maišiklio M14 prijungimo lizdas
3. Įjungiklis

4. Išjungiklio užrakto rankenėlė
5. Pavaros perjungimo jungiklis
6. Variklio korpusas
7. Apsisukimų reguliavimo rankenėlė



2. Maišiklio pasirinkimas

Kartu su maišikliu su viena maišymo įrangą tiekiamame maišiklius K3 kaip standartinę įrangą. Galima montuoti kitus maišiklius naudojant sraigtinę jungtį M14 (K1-k10 ir kt.).

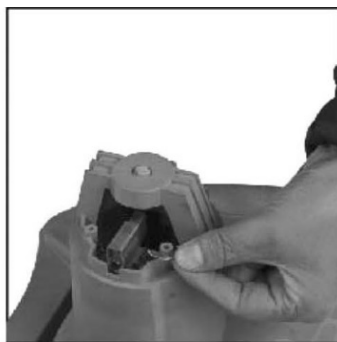


3. Prietaiso valymas ir techninė priežiūra

Tinkama prietaiso techninė priežiūra gali prailginti jo tarnavimo laiką; Rankenos jungiklis visada turi tinkamai veikti ir turi būti gerai prižiūrimas; Maišymo įrankius reikia nuvalyti baigus pilti arba ilgai nenaudoti; Dažniausiai tekančiu vandeniu arba kvarciniu smėliu galima gerai išvalyti maišymo įrankius. Maišymo velenas visada turi būti apsaugotas nuo užteršimo; visada uždėkite apsauginį dangtelį ant šešiakampės lizdo angos; Prietaisui veikiant negali būti uždengta variklio korpuso ventilacija, prietaise negali būti jokių degių medžiagų; Ventilacijos anga turi būti dažnai valoma;



Picture.1



Picture.2

Anglies šepetėlį reikia patikrinti ir prižiūrėti, kai prietaisas veikia iki 60 valandų, jei pastebėsite, kad šepetėlis susidėvėjęs, pakeiskite jį laiku.

(1 pav.) Pirmiausia atjunkite maitinimą, nuimkite variklio korpusą.
(2 pav.) Ištraukite plokštelę ir pakeiskite anglies šepetėlį.

4. Montavimas ir aptarnavimas

Prietaisas turi būti naudojamas su maišikliais, kurie turi prijungimo galą su išoriniu sriegiu M14. Maišiklis prietaise montuojamas tokiais veiksmais:

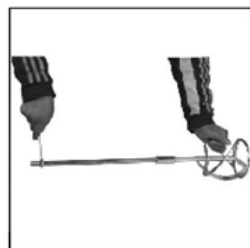
1. Ištraukite kištuką iš elektros lizdo, jei jis prijungtas.
2. Pasukite prietaisą taip, kad būtų laisva prieiga prie veleno.
3. Įkiškite maišytuvo galą (srieginį) į veleno angą ir priveržkite.
4. Laikydami už veleno atitinkamu rinkinyje esančiu veržliarakčiu, tvirtai priveržkite maišytuvą.



Picture.1



Picture.2



Picture.3



Picture.4



Picture.5

APSIKIMŲ REGULIAVIMAS

Sukimosi greitį galima keisti naudojant rankenėlę (7 pav.), esančią kairiosios rankenos vidinėje pusėje.

PAVAROS PERJUNGIMAS

Sukimosi momentą galima keisti naudojant rankenėlę (6 pav.).

Keisdami sukimosi greičio diapazoną atmintkite, kad šį veiksmaį galima atlikti tik išjungus prietaisą.

Priešingu atveju gali būti pažeistas krumpliaratis – jei pavara perjungimas yra pasipriešinimas, šiek tiek pasukite veleną, kad krumpliaratai sukibtų.



(Picture 6)



(Picture 7)

IJUNGIMAS/IŠJUNGIMAS

Mašinos įjungiklis/išjungiklis (3) yra dešinėje rankenoje ir yra sukonstruotas taip, kad būtų išvengta atsitiktinio paleidimo.

Norėdami paleisti elektrinį įrankį, paspauskite užraktą (4), o po to įjungiklį (3). Prietaisas išjungiamas, kai atleidžiamas įjungiklio mygtukas (6).

Nespauskite įjungiklio (6), prieš tai neatleidę (nepaspaudę) užrakto (5), nes galite sugadinti prietaisą.

Techninės specifikacijos:

Modelis	Em5010
Vardinė įtampa	230 V~50 Hz
Vardinė galia	1400 W
Vardinis greitis be apkrovos	0-600/min 0-900/min
Maišymo skersmuo	120 mm
Garso slėgio lygis	LpA =92.0dB(A)
Garso galios lygis	LWA =103.0dB(A)
Neapibrėžtis K	K =3dB(A)
Didžiausia vibracijos reikšmė	3.157m/s ²
Neapibrėžtis K	K =1.5m/s ²

OLULINE TEAVE

Suurima rahulolu saavutamiseks, toote jõudluse nautimiseks ning kõigi selle omaduste ja funktsioonide tundmaõppimiseks lugege enne toote kasutamist käesolev juhend läbi.

Enne seadme kasutamist lugege läbi kasutusjuhend ja toimige selles sisalduvate suuniste kohaselt. Tootja ei vastuta kahjude eest, mis on põhjustatud seadme kasutamisest vastuolus selle otstrabega või väärast käsitlemisest.

Hoidke kasutusjuhend alles, et seda saaks kasutada ka toote hilisema kasutamise käigus.

- Seade on ette nähtud üksnes kodumajapidamises kasutamiseks. Mitte kasutada muul eesmärgil, mis ei vasta seadme otstarbele.
- Seade tuleb ühendada üksnes maandatud toitepesasse, mille andmed vastavad seadme andmesildile märgitud väärtustele.
- Kontrollige, kas kõikide seinakontakti ühendatud seadmete poolt kasutatud voolutarve ei ületa kaitsme maksimaalset koormust.
- Kui kasutate pikendusjuhet, tuleb kontrollida, kas pikendusjuhtmega ühendatud seadme koguvool ei ületa pikendusjuhtme koormuse parameetreid. Pikendusjuhtme kaabel tuleb juhtida nii, et vältida selle juhuslikku tõmbamist ja selle taha komistamist.
- Vältige seadme toitejuhtme rippumist üle laua või riulite servade ja selle kokkupuudet kuumade pindadega.
- Seade ei ole ette nähtud juhtimiseks välise viitlüliti, eraldi kaugjuhtimispuldi või muu seadme abil, mis võib seadme automaatselt välja lülitada.
- Enne hooldustööde alustamist tuleb alati seade toitevõrgust välja võtta.
- Toitekaabli eemaldamisel seinakontaktist tuleb seda alati tõmmata pistikust. Ärge võtke toitejuhet kunagi pesast kaablist tõmmates, kuna pistik või juhe võib saada kahjustada, äärmisel juhul võib see põhjustada isegi surmaga lõppevat elektrilööki.
- Ärge jätke toitepesasse sisselülitatud seadet järelevalveta.
- Ärge pange seadet vette ega muude vedelikku.

- Seadet tuleb regulaarselt puhastada vastavalt punktis „Seadme puhastamine ja hooldus” kirjeldatud juhistele.
- Ärge pange seadet soojusallikate, leekide, elektriliste kütteelementide või kuumade esjade lähedale. Ärge pange seda mistahes muu seadme peale.
- Seda seadet tohivad kasutada lapsed alates 8. eluaastast ning piiratud füüsiliste ning vaimsete võimetega või vastavate kogemuste ja teadmisteta isikud juhul, kui nad tegutsevad järelevalve all või neid on juhendatud seadme ohutu kasutamise osas ja nad mõistavad sellega seotud ohtusid. Lapsed ei tohi seadmega mängida. Lapsed ei tohi seadet järelevalveta puhastada ega hooldada.
- Olge eriti ettevaatlikud seadme kasutamisel, kui selle läheduses viibivad lapsed või koduloomad. Ärge laske lapsi seadmega mängida.
- Ärge kasutage seadet kergesti süttivate materjalide läheduses.
- Ärge jätke seadet ilmastikutingimuste mõju kätte (vihm, päike, etc.) ning ärge kasutage seda kõrgema niiskustasemega tingimustes (vannitoad, niisked suveelamud).
- Kontrollige toitejuhtme seisundit regulaarselt. Juhul, kui seadmega integreeritud toitejuhe on vigastada saanud, tuleb see välja vahetada tootja poolt või spetsiaalses remonditöökohas või kvalifitseeritud isiku poolt ohu vältimise eesmärgil.
- Ärge kasutage vigastatud toitejuhtmega, pistikuga seadet või seadet, mis on maha kukkunud või mistahes muul viisil vigastada saanud ega tööta korrektselt. Ärge parandage seadet omavoliliselt, kuna see võib põhjustada elektrilöögi ohtu. Kahjustatud seade tuleb viia vastavasse teeninduspunkti selle kontrollimise või remondi otstarbel. Mistahes parandustööd on lubatud teostada üksnes volitatud teeninduspunktides. Ebakorrektselt tehtud parandus võib kujutada endast kasutajale tõsist ohtu.
- Kasutage ainult seadme originaaltarvikuid või tootja poolt soovitatud tarvikuid. Tarvikute kasutamine, mida tootja ei soovita, võib põhjustada seadme kahjustumist ja ohustada

kasutamissohutust.

- Hooolitsege töökoha korrasoleku ja korraliku valgustuse eest.
- Korratus ja ebapiisav valgustus põhjustavad õnnetusi.
- Ärge kasutage elektritööriistu plahvatusohtlikus keskkonnas, st tuleohtlike vedelike, gaaside või tolmu läheduses.
- Hetkeline tähelepanematus võib põhjustada kontrolli kaotamise tööriista üle.
- Kui on olemas elektritööriistade tolmuärastus- või -kogumisseadmete külge paigaldamise võimalus, kontrollige, kas need on korralikult kinnitatud ja töötavad nõuetekohaselt. Selliste elektritööriistade kasutamine vähendab tolmuga tekitatavat ohtu.
- Ärge küünitage elektritööriistaga liiga kaugele. Hoidke stabiilset rühti ja tasakaalu. Tänu sellele on teil elektritööriista üle ettenägematutes olukordades parem kontroll.
- Vältige elektritööriista juhuslikku käivitumist. Enne elektritööriista voluvõrku ühendamist veenduge, et toitelüliti oleks väljalülitatud asendis (OFF). Elektritööriista kandmine sõrmega päästikul või sisselülitatud elektritööriista voluvõrku ühendamine võib põhjustada õnnetusi.
- Kandke sobivat riietust. Ärge töötage lohvakates riietes ega kandke töötamise ajal ehteid. Hoidke oma juuksed, riided ja kindad liikuvatest osadest eemal. Elektritööriista liikuva osad võivad endaga kaasa haarata ja sisse tõmmata riide ja ehte lahtised osad või pikad juuksed.
- Enne elektritööriista käivitamist eemaldage sellelt kõik võtmed või tööriistad. Elektritööriista pöörleva osaga ühendatud tööriist või võti võib põhjustada kehavigastusi.
- Elektritööriistadega töötades olge ettevaatlik, keskenduge tööle ja kasutage tervet mõistust. Ärge kasutage elektritööriista, kui olete väsinud või uimastite, alkoholi või ravimite mõju all. Isegi hetkeline tähelepanematus elektritööriistaga töötamise ajal võib põhjustada tõsise õnnetuse.

- Hoidke lapsed töökohast eemal ja ÄRGE laske lastel toitejuhtmest tõmmata – see võib põhjustada tõsiseid vigastusi.
- Asetage ja kasutage elektritööriista alati stabiilsel, tasasel ja horisontaalsel pinnal.
- Enne mis tahes reguleerimist, tarvikute vahetamist või elektritööriistade hoiulepanekut seadke lüliti väljalülitatud asendisse, et elektritööriist vooluvõrgust lahti ühendada. Sellised ennetusmeetmed vähendavad elektritööriista juhusliku käivitumise ohtu.
- Enne iga kasutamist kontrollige korpust kahjustuste suhtes.
- Veenduge, et ventilatsiooniavades ei oleks prahti.
- Seadet tohib kasutada ainult kuivas, hästi valgustatud keskkonnas.
- Seda tööriista ei tohi kasutada alla 16-aastased isikud.
- Seade on ette nähtud kasutamiseks ainult välistingimustes. Ärge kasutage seda muudel eesmärkidel, mis on vastuolus selle ettenähtud otstarbega.
- Töötamise ajal võib müratase ületada 85 dB (A); kandke kuulmiskaitset.

Segur – turvahoiatused.

Mikser ja segur ei ole ette nähtud inim- või loomatoidu valmistamiseks. Segada tohib üksnes ehituses kasutatavaid aineid ja materjale.

- Seadme korpus, nagu ka kasutatavad tööriistad, ei vasta toiduainete töötlemisel nõutavatele hügieenistandarditele.
- b) Seadet ei tohi kasutada tule- või plahvatusohtlike ainete segamiseks.
- Kui mikser töötab, tekivad ajamimootoris elektrilised sädemed, mis võivad süüdata segatavate ainete aurud.
- c) Enne ehitusmaterjalide segamist tutvuge nende kasutusjuhendi või materjali ohutuskaardiga (MSDS).
- Teatud liiki materjalid või kemikaalid on inimestele tervisele või elule ohtlikud ja nende segamise protsess võib sõltuda teatud tingimuste täitmisest.
- d) Hoidke mõlema käega kinni isoleeritud elektritööriistade käepidemest, kui segate materjale mahutist väljaspool.

- Alati on oht, et töö käigus võib leiduda pinge all olevaid peidetud elektrijuhtmeid. Mõnede segurite teravad servad võivad kergesti kahjustada elektrijuhet või selle läbi lõigata, mis võib põhjustada elektrilöögi.
 - e) Materjalide segamisel pöörake tähelepanu mikseri toitejuhtme asendile, et see ei paikneks pöörleva töövahendi (seguri) läheduses.
- Elektritööriista toitejuhe peab paiknema väljaspool seguri tööpiirkonda, mis võib seda kahjustada või läbi lõigata, tekitades sellega elektrilöögi ohu.
 - f) Mahuti, milles materjale segatakse, tuleb asetada tasasele ja sirgele aluspinnale nii, et et see segamisel ei kalduks ega kõiguks.
- Mahuti kontrollimatu liikumine segamise ajal võib põhjustada ohtlikke olukordi.
 - g) Hoidke elektritööriista tugevalt ja kindlalt kahe käega isoleeritud käepidemetest, säilitades sealjuures stabiilse asendi.
 - h) Kui elektritööriist on segatava materjaliga väga märdunud, nt pärast segumahutisse kukkumist, lülitage segur kohe välja ja ühendage see vooluvõrgust lahti.
- Elektritööriista, mille sisse on sattunud vesi või segu komponendid, kasutamine võib põhjustada seadme hävimise ja kujutab endast ka elektrilöögi ohtu.
 - i) Vedelike segamise ajal pöörake tähelepanu, et nende tilgad ei satuks elektritööriista sisemusse.
- Elektritööriista sisse sattunud vedelikud võivad põhjustada elektrilöögi.
 - j) Kui töövahend (segur) segamise ajal ummistub, lülitage mikser kohe välja. Samal ajal pöörake tähelepanu tekkivale tagasilöögi jõule, mis võib viia seadme kasutaja käest ärarebimiseni.
- Kasutades töökorras mitteolevaid töövahendeid, nt kõveraid segureid, või seadet üle koormates, võib kasutaja tekitada ohtliku olukorra.
 - k) Mikser ei ole ette nähtud kinnitamsieks statiividele, tugedele jne.

- Hoidke seadet alati kindlalt mõlema käega kinni.
 - l) Pidage meeles, et pöörlemiskiirust tohib kiiruslülitiga (I või II käik) muuta ainult siis, kui seade on välja lülitatud.
- Pöörlemiskiiruse muutmine seadme töötamise ajal võib seda kahjustada.

Esitatud vibratsiooniemissiooni väärtus on mõõdetud standardprotseduuride kohaselt ja võib olenevalt elektritööriista kasutamise viisist erineda. Erandjuhtudel võib see märgitud väärtust ületada.

Pikaajaline vibratsiooni mõju kasutaja käele võib põhjustada külmumisele sarnaseid vigastusi. See tähendab eelkõige kipitus- või põletustunnet sõrmedes, samuti käte liigset kahvatust. Need sümptomid viitavad sellele, et elektritööriista on liiga kaua kasutatud.

Et vältida vibratsiooni kahjulikku mõju kasutaja käele, on vaja järgida mõnda põhieeglit:
- igapäevane tööaeg elektritööriistaga peaks koosnema regulaarsetest pausidest, mille jooksul on soovitatav teha muid toiminguid;
- pauside ajal teha vereringe parandamiseks käte ja käsivarte harjutusi;
- kanda kaitsekindaid, mis lisaks kaitsevad vibratsiooni negatiivse mõju eest. Kui kasutaja tunneb end eespool märgitud soovitude järgimisest hoolimata halvasti, nt esineb sõrmede turset, sõrmed muutuvad kahvatuks või kaotavad tundlikkuse, pöörduda kohe arsti poole.

Lisaks tuleb:
- vältida ebamugava asendi võtmist (nt läbi valesti seatud tasakaalupunkti), milles randmed on ebaloomulikult väändunud;
- kasutada regulaarseid pause, et vähendada korduva koormuse mõju;


Tagasilöögiefekt
- See on masina järsk kontrollimatu reaktsioon kinnikiilunud või ummistunud tööriistale. Kinnikiilumine või ummistumine põhjustab pöörleva tööriista järsu seiskumise, mis toob kaasa tööriista järsu jõnksutamise.

- Tagasilöögiefekt tuleneb seadme väärast või ekslikust kasutamisest ja seadme kasutusjuhendis kirjeldatud ohutusprotseduuride mittejärgimisest.
Meetodid tagasilöögiefekti vältimiseks
- Seadet tuleb hoida tugevalt ja kindlalt ning käte ja keha asend peaks vältima tagasilöögiefekti või leevendama seda selle tekke korral.
- Hoidke käed pöörlevatest tööriistadest eemal.
Seadme rikke korral katkestage viivitamatult töö ja ühendage seade vooluvõrgust lahti. Seejärel kontrollige rikke põhjust ja vajaduse korral viige seade volitatud teeninduskeskusesse.
Keelatud on kasutada töökorras mitteolevaid töövahendeid, nt kõveraid või kahjustatud segureid, kuna see võib põhjustada seadme ülekoormamist ja sellest tulenevalt ohtlikke olukordi. Mikser ei ole oma konstruktsiooni poolest mõeldud püsivalt kinnitamiseks erinevat tüüpi statiividele, tugelede või raamidele.
Hoidke elektritööriista alati mõlema käega kindlalt isoleeritud käepidemest.
Pöörlemiskiirust tohib kiiruslülitiga muuta ainult siis, kui seade on välja lülitatud ja mootor ei tööta.
Pöörlemiskiiruse muutmine seadme töötamise ajal võib seda kahjustada.

	Enne käivitamist lugeda hoolikalt läbi kasutusjuhend ja kõik ohutusnõuded		Kanda kaitsejalatseid
	Toode vastab EÜ ohutusstandarditele		Kasutada kõrvakaitseid
	Mitte jätta seadet vihma ja niiskuse kätte		Kanda kaitsekindaid
	Kõrvaldada toode elektri- ja elektroonikaseadmetest tekkinud jäätmete direktiivi kohaselt		Kanda kaitseriietust
	Kanda kaitseprille		Kanda kaitsemaski

ISIKUKAITSEVAHENDID

- Kasutage standardile EN166 vastavaid kaitseprille
- Kasutage standardile EN149 vastavaid kaitsemaske
- Kasutage muid täpseid isikukaitsevahendeid, olenevalt tehtava töö liigist.

 Seade on kooskõlas järgmiste Euroopa Liidu direktiividega:

- Madalpinge direktiiv - Low voltage directive (LVD)
- Elektromagnetilise ühilduvuse direktiiv - Electromagnetic compatibility (EMC)

 Toode on varustatud CE-märgistusega andmesildil.



Juhul, kui seadmel on läbikriipsutatud prügikasti sümbol, tähendab see, et toode on kooskõlas Euroopa direktiivi 2012/19/EU sätetega. Tutvuge elektri- ja elektroonikaseadmete jäätmete kohaliku kogumissüsteemi nõuetega. Tuleb tegutseda vastavalt kohalikele eeskirjadele. Antud toodet ei tohi kõrvaldada koos olmeprügiga. Kasutatud toote nõuetekohane utiliseerimine aitab vältida selle kahjulikku toimet keskkonnale ja inimestevisele.

Teave keskkonnakaitse kohta Pakend sisaldab üksnes hädavajalikke elemente. Oleme teinud kõik meist sõltuva, et kolme pakendi koostisesse kuuluvat materjali: pappi (karp), vahtpolüstüreeni (sisekaitsed) ja polüetüleeni (kotid, kateleht) oleks lihtne eraldada. Seade on toodetud uuesti ringlussevõetavatest materjalidest, mida võib taaskasutada pärast nende lahtivõtmist professionaalse firma poolt. Järgige pakendimaterjalide, kasutatud akude ja seadmete utiliseerimist puudutavaid kohalikke eeskirju.

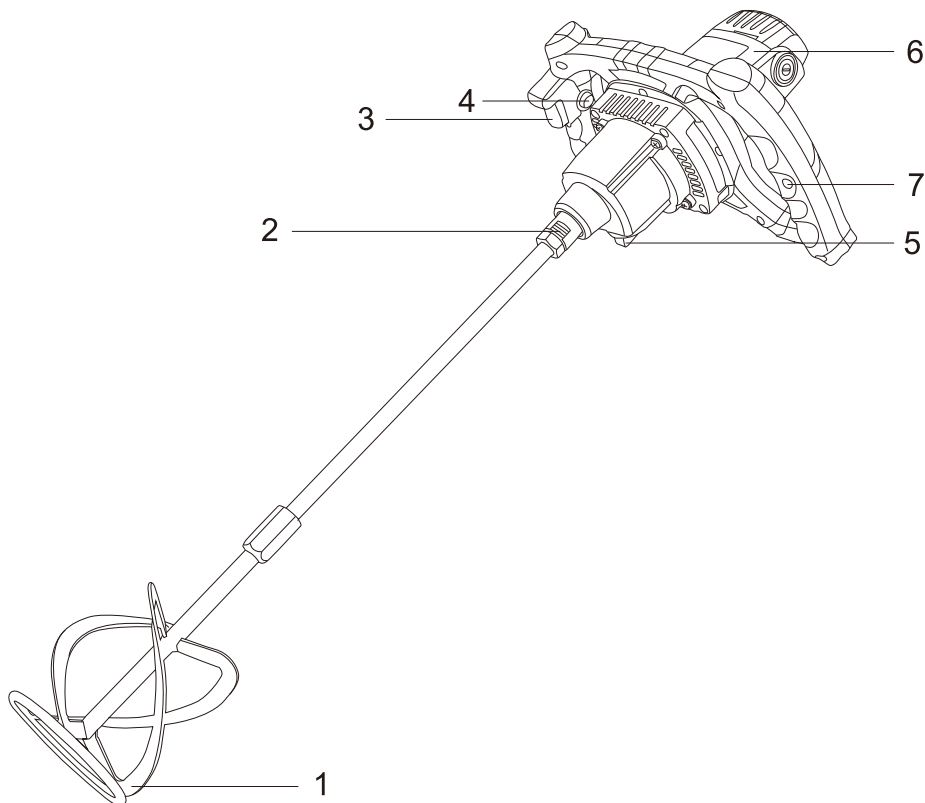


Toode on valmistatud kvaliteetsetest materjalidest ja komponentidest, mida on võimalik uuesti ringlusse võtta ja taaskasutada.

1. Seadme ehitus

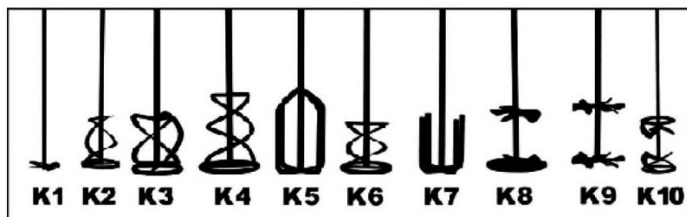
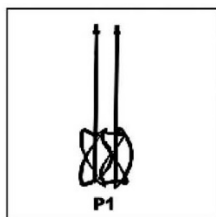
1. Segur
2. Seguri ühenduspesa M14
3. Lülit

4. Lülitilukustusnupp
5. Käigu vahetuslülit
6. Mootori kere
7. Kiiruse reguleerimise nupp



2. Seguri valik

Ühe tööriistaga seguri standardvarustuses tarnime segurid K3. M14 kruviühenduse (K1–K10) abil on võimalik paigaldada ka teisi segureid.

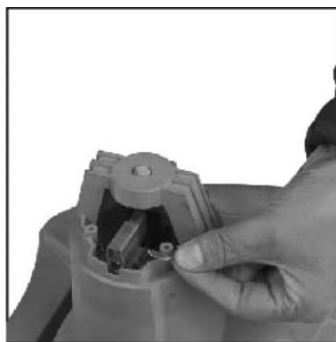


3. Seadme puhastamine ja hooldus

Masina õige hooldus võib pikendada selle eluiga; käepideme lüliti peab alati korralikult töötama ja olema hästi hooldatud; segamistööriistad tuleb puhastada pärast valamise lõpetamist või pikaajalist mittekasutamist; tavaline voolav vesi või kvartslüüv suudab tavaliselt segamistööriistu hästi puhastada. Segamisvõll peab alati olema kaitstud mustuse eest; asetage kuusnurkse pesa avale alati kaitsekate; masina töötamise ajal ei tohi mootorikere tuulutus olla kaetud, masinas ei tohi olla kergsüttavaid materjale; tuulutusava tuleb sageli puhastada.



Picture.1



Picture.2

Süsinikharija tuleb kontrollida ja hooldada, kui masin on töötanud 60 tundi; vahetage hari õigeaegselt välja, kui ilmneb, et see on kulunud.

(Joonis 1) Ühendage kõigepealt toide lahti, eemaldage mootori kere.

(Joonis 2) Tõmmake plaat välja ja vahetage süsinikhari välja.

4. Paigaldamine ja käitamine

Seadmes tuleb kasutada segureid, mis on varustatud väliskeermega M14 ühendusotsakuga. Segur paigaldatakse seadmesse järgmiselt:

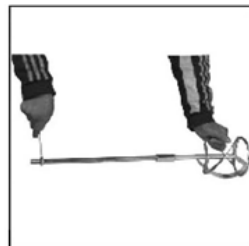
1. Eemaldage pistik pistikupesast, kui see on ühendatud.
2. Pöörake seadet nii, et spindlile oleks tagatud vaba juurdepääs.
3. Sisestage seguri keermestatud ots spindli avasse ja keerake see kinni.
4. Hoides spindlit komplekti kuuluva sobiva mutrivõtme, keerake segur tugevasti kinni.



Picture.1



Picture.2



Picture.3



Picture.4



Picture.5

PÖÖRLEMISKIIRUSE REGULEERIMINE

Pöörlemiskiirust saab muuta vasakpoolse käepideme siseküljel asuva nupu (joonis 7) abil.

KÄIGU VAHETAMINE

Pöördemomenti muudetakse nupu abil (joonis 6).

Pöörlemiskiiruse vahemiku muutmisel pidage meeles, et seda toimingut tohib teha ainult siis, kui seade on välja lülitatud. Vastasel juhul võib käigukast kahjustada saada – kui käigu vahetamisel esineb takistus, keerake veidi spindlit, et hambad hambuksid.



(Picture 6)



(Picture 7)

SISSE- JA VÄLJALÜLITAMINE

Masina lüliti (3) paikneb paremal käepidemel ja on konstrueeritud nii, et see takistab juhuslikku käivitumist.

Elektrilise tööriista käivitamiseks vajutage lukku (4) ja seejärel lülitit (3). Seade lülitub välja, kui lülitusnupp (6) vabastatakse.

Ärge vajutage lülitit (6) enne luku (5) vabastamata (vajutamata) jätmist, kuna see võib seadet kahjustada.

Tehniline kirjeldus:

Mudel	Em5010
Nimipinge	230 V~50 Hz
Nimivõimsus	1400 W
Nimikiirus ilma koormuseta	0-600/min 0-900/min
Segamisläbimõõt	120 mm
Helirõhu tase	LpA = 92.0dB(A)
Helivõimsuse tase	LWA = 103.0dB(A)
Määramatus K	K = 3dB(A)
Maksimaalne vibratsiooni väärtus	3.157m/s ²
Määramatus K	K = 1.5m/s ²

SVARĪGA INFORMĀCIJA

Lai izjutu vislielāko gandarījumu, izbaudītu izstrādājuma produkta veiktspēju un apgūtu visas tā īpašības un funkcijas, lūdzu, pirms šī izstrādājuma lietošanas izlasiet šo instrukciju. Pirms ierīces lietošanas izlasiet lietošanas instrukciju un ievērojiet tajā ietvertos norādījumus. Ražotājs nav atbildīgs par jebkādiem bojājumiem, kas radušies, lietojot ierīci pretēji tās paredzētajam lietojumam vai nepareizai lietošanai. Saglabājiet lietošanas pamācību turpmākai izstrādājuma lietošanai.

- Ierīce ir paredzēta tikai lietošanai mājās. Neizmantojiet citiem mērķiem pretēji paredzētajam lietojumam.
- Ierīci drīkst pievienot tikai tādai kontaktligzdai, kuras parametri tika norādīti obligātajā izgatavotāja plāksnītē.
- Pārliedzinieties, vai visu sienas kontaktligzdai pievienoto ierīču kopējais strāvas patēriņš nepārsniedz drošinātāja maksimālo slodzi.
- Ja tiek izmantots pagarinātājs, pārliedzinieties, vai pagarinātājam pievienotā aprīkojuma kopējais jaudas patēriņš nepārsniedz pagarinātāja slodzes parametrus. Novietojiet pagarinātāju tā, lai izvairītos no nejaušas vilkšanas un pakļupšanas.
- Neļaujiet ierīces strāvas vadam karāties zem galda vai plaukta malas vai pieskarties karstai virsmai.
- Ierīce nav paredzēta vadīšanai ar ārēju laika aiztures slēdzi, atsevišķu tālvadības pulti vai citu aprīkojumu, kas varētu automātiski ieslēgt ierīci.
- Pirms jebkādiem apkopes darbiem vienmēr atvienojiet ierīci no strāvas padeves.
- Atvienojot strāvas vadu, vienmēr izvelciet to no kontaktligzdas, turot aiz kontaktdakšas. Nekad nevelciet strāvas vadu aiz vada, jo var tikt bojāts spraudnis vai kabelis, ārkārtējos gadījumos tas var izraisīt pat elektrotraumu. Ierīci nedrīkst atstāt bez uzraudzības, kad tā ir pievienota.
- Neiegremdējiet ierīci ūdenī vai citā šķidrumā.
- Ierīce regulāri jātīra saskaņā ar ieteikumiem, kas aprakstīti sadaļā par ierīces «Tīrīšanu un apkopi».
- Nenovietojiet ierīci siltuma avotu, liesmu, elektriskā

sildelementa vai uz karstas cepeškrāsns tuvumā.

Nenovietojiet uz citas ierīces.

- Šo ierīci drīkst lietot bērni, kas ir vismaz 8 gadus veci, kā arī personas ar ierobežotām fiziskajām, garīgajām spējām un personas bez pieredzes vai zināšanām par iekārtu, ja tiks nodrošināta uzraudzība vai viņi tiks instruēti par ierīces drošu lietošanu, lai ar to saistīts risks būtu saprotams. Bērni nedrīkst spēlēt ar ierīci. Bērni nedrīkst tīrīt vai veikt ierīces apkopi bez uzraudzības.
- Esiet īpaši uzmanīgs, lietojot ierīci, ja tuvumā atrodas bērni vai mājdzīvnieki. Bērniem nedrīkst ļaut spēlēt ar ierīci.
- Neizmantojiet ierīci viegli uzliesmojošu materiālu tuvumā.
- Nepakļaujiet ierīci laikapstākļiem (lietus, saules un citu iedarbībai) un neizmantojiet to augsta mitruma apstākļos (vannas istabā, mitrās pārvietojamās mājās).
- Periodiski pārbaudiet strāvas vada stāvokli. Ja neatdalāmais strāvas vads tika bojāts, tas jānomaina pie ražotāja vai specializētā remondarbnīcā vai kvalificētai personai, lai izvairītos no apdraudējumiem.
- Nelietojiet ierīci ar bojātu strāvas vadu, kontaktdakšu vai ja tā ir nokritusi vai jebkādā veidā bojāta, vai arī tā nedarbojas pareizi. Nelabojiet ierīci pats, jo tas var izraisīt elektriskās strāvas triecienu. Nogādājiet bojāto ierīci atbilstošā servisa punktā pārbaudei vai remontam. Jebkādus remontdarbus drīkst veikt tikai pilnvarotie servisa punkti. Nepareizi veikts remonts var izraisīt nopietnus apdraudējumus lietotājam.
- Izmantojiet tikai oriģinālos ierīces piederumus vai tos, kurus ieteicis ražotājs. Ražotāja neieteiktu piederumu izmantošana var sabojāt ierīci un apdraudēt tās drošu lietošanu.
- Saglabājiet savu darba vietu kārtīgu un labi apgaismotu.
- Nekārtība un nepietiekams apgaismojums izraisa negadījumus.
- Neizmantojiet elektroinstrumentus potenciāli sprādzienbīstamā vidē, t.i., uzliesmojošu šķidrumu, gāzu vai putekļu klātbūtnē.
- Neuzmanības mirklis var izraisīt kontroles zaudēšanu pār instrumentu.
- Ja ir pieejami putekļu novadīšanas vai savākšanas

instrumenti, pārbaudiet, vai tie ir piestiprināti un darbojas pareizi. Šādu elektroinstrumentu izmantošana samazina risku, ko rada putekļu veidošanās.

- Neliecieties pārāk tālu ar elektroinstrumentu. Saglabājiet stabilu stāju un līdzsvaru. Pateicoties tam, neparedzētās situācijās varēsiet labāk kontrolēt elektroinstrumentu.
- Izvairieties no nejaušas elektroinstrumenta iedarbināšanas. Pirms elektroinstrumenta pievienošanas elektrotīklam pārliedzieties, vai strāvas slēdzis ir izslēgtā pozīcijā (OFF). Elektroinstrumenta nēsāšana, turot pirkstu uz sprūda vai elektroinstrumenta pieslēgšana pie tīkla pēc tā ieslēgšanas, var izraisīt negadījumus.
- Valkājiet atbilstošu apģērbu. Nestrādājiet valkājot brīvu apģērbu un nevalkājiet rotaslietas darba laikā. Sargājiet matus, apģērbu un cimdsus tāli no kustīgajām daļām. Kustīgas elektroinstrumenta daļas var satvert un ievilkāt brīvas apģērba daļas, rotaslietas vai garus matus.
- Pirms elektroinstrumenta iedarbināšanas noņemiet no tā visas uzgriežņu atslēgas vai instrumentus. Instruments vai uzgriežņu atslēga, kas joprojām ir pievienota elektroinstrumenta rotējošajai daļai, var izraisīt fiziskus bojājumus.
- Strādājot ar elektroinstrumentiem, esiet piesardzīgs, koncentrējieties uz darbu un paļaujieties uz veselo saprātu. Neizmantojiet elektroinstrumentu, ja esat noguris vai narkotiku, alkohola vai medikamentu ietekmē. Neuzmanības brīdis, strādājot ar elektroinstrumentu, var izraisīt nopietnu negadījumu.
- Turiet bērņus prom no darba zonas un NEĻAUJIET bērniem vilkt aiz strāvas vada – tas var izraisīt nopietnus ievainojumus.
- Vienmēr novietojiet un izmantojiet elektroinstrumentu uz stabilas, līdzenas un vertikālas virsmas.
- Pirms jebkādu regulējumu veikšanas, piederumu maiņas vai elektroinstrumentu uzglabāšanas, pagrieziet strāvas slēdzi izslēgtā pozīcijā, lai atvienotu elektroinstrumentu no strāvas avota. Šādas preventīvas darbības samazina elektroinstrumenta nejaušas iedarbināšanas risku.

- Pirms katras lietošanas reizes pārbaudiet, vai korpuss nav bojāts.
- Pārliedzinieties, vai ventilācijas atverēs nav duļķu.
- Ierīci drīkst lietot tikai sausā, labi apgaismotā vidē.
- Šo instrumentu nedrīkst lietot personas, kas jaunākas par 16 gadiem.
- Ierīce tika paredzēta tikai lietošanai ārā. Neizmantojiet citiem mērķiem pretēji paredzētajam lietojumam.

Maisītājs – drošības brīdinājumi.

Jaukšanas iekārta un maisītājs nav paredzēti cilvēku un dzīvnieku pārtikas pagatavošanai. Varam maisīt tikai būvniecībā izmantotās vielas un materiālus.

- Ierīces korpuss, kā arī izmantotie instrumenti neatbilst pārtikas pārstrādei nepieciešamajiem higiēnas standartiem.
- b) Ierīci nedrīkst izmantot uzliesmojošu vai sprādzienbīstamu vielu jaukšanai.
- Kad jaukšanas iekārta darbojas, piedziņas motorā rodas elektriskās dzirksteles, kas var aizdedzināt jauktu vielu tvaikus.
- c) Pirms būvmateriālu jaukšanas izlasiet to lietošanas instrukciju vai materiālu drošības datu lapu (MSDS).
- Daži materiālu vai ķīmisko vielu veidi apdraud cilvēku veselību un dzīvību, un to jaukšanas procesam var būt noteikti nosacījumi.
- d) Jaucot materiālus ārpus rezervuāra, turiet abas rokas aiz elektroinstrumenta izolētajiem rokturiem.
- Vienmēr pastāv risks, ka darba laikā var tikt atrasti slēpti strāvu vadi zem sprieguma. Dažu maisītāju asās malas var viegli sabojāt vai pārgriezt elektrības kabeli, kas var izraisīt elektriskās strāvas triecienu.
- e) Jaucot materiālus, pievērsiet uzmanību jaukšanas iekārtas barošanas vada novietojumam tā, lai tā neatrastos rotējošā darba instrumenta (maisītāja) tuvumā.
- Elektroinstrumenta barošanas vads jānovieto ārpus maisītāja darba zonas, jo tas var to sabojāt vai pārgriezt, tādējādi radot elektriskās strāvas trieciena risku.

- f) Rezervuārs, kurā tiek jaukti materiāli, jānovieto uz līdzenas un taisnas virsmas tā, lai jaukšanas laikā nesasvērtos un nekustētos.
- Nekontrolēta rezervuāra kustība jaukšanas laikā var izraisīt bīstamas situācijas.
- g) Turiet elektroinstrumentu stingri un droši ar abām rokām aiz izolētajiem rokturiem un turiet stabilu stāvokli.
- h) Ja elektroinstrumenti ir netīrs ar jauktu materiālu, piem. pēc iekrišanas rezervuārā ar maisījumu, nekavējoties izslēdziet jaukšanas iekārtu un atvienojiet to no elektrotīkla.
- Izmantojot elektroinstrumentu, kurā iekļūva ūdens vai maisījuma sastāvdaļas, tas var tikt bojāts un var rasties elektriskās strāvas trieciena risks.
 - i) Jaucot šķidrumus, jāpievērš uzmanība tam, ka pilieni neieklūtu elektroinstrumenta iekšpusē.
- Šķidrumu iekļūšana elektroinstrumenta iekšpusē var izraisīt elektriskās strāvas triecienu.
 - j) Ja maisīšanas laikā darba instruments (maisītājs) tiks bloķēts, nekavējoties izslēdziet jaukšanas iekārtu. To darot, pievēršiet uzmanību radītajam atsietena spēkam, kas var izraut ierīci no operatora rokām.
- Izmantojot bojātus darba instrumentus, piemēram, greizus maisītājus, vai pārslogojot ierīci, operators var radīt bīstamas situācijas.
 - k) Maisīšanas iekārta, pēc savas konstrukcijas, nav paredzēta uzstādīšanai uz statīviem, balstiem utt.
- Vienmēr stingri turiet elektroinstrumentu abām rokām.
 - l) Jāatceras, ka, rotāciju ātruma maiņa ar ātruma slēdzi (1. vai 2. pārnese), var veikt tikai tad, kad ierīce ir izslēgta.
- Rotāciju ātruma maiņa ierīces darbības laikā var to sabojāt. Norādītā vibrācijas emisijas vērtība tika izmērīta saskaņā ar standartizētām procedūrām un var atšķirties atkarībā no elektroinstrumenta lietošanas veida. Izņēmuma gadījumos tā var pārsniegt norādīto vērtību. Ilgstoša vibrācijas iedarbība uz operatora rokām var izraisīt apspaldējumiem līdzīgus ievainojumus. Tas galvenokārt ir pirkstu duršana vai dedzināšana, kā arī pārmērīgs roku

bālums.

Šie simptomi norāda, ka elektroinstrumenti tiek lietoti pārāk ilgi.

Lai izvairītos no vibrācijas nelabvēlīgas ietekmes riska uz operatora rokām, ir nepieciešams ievērot dažus pamatnoteikumus:

- ikdienas darba laiks ar elektroinstrumentu jāstāvē no regulāriem pārtraukumiem, kuru laikā ieteicams veikt citas darbības,
- pārtraukumu laikā veiciet plaukstu un roku vingrinājumus, lai uzlabotu asinsriti,
- valkājiet aizsargcimdus, kas papildus aizsargā pret vibrāciju negatīvo ietekmi, Ja, neskatoties uz iepriekš minēto ieteikumu ievērošanu, operators jutīsies slikti, piemēram, ievēros pirkstu pietūkumu, to pārmērīgu bālumu vai jutīguma zudumu, nekavējoties jāsaazinās ar ārstu.

Turklāt vajadzētu:

- izvairīties no neērta stāvokļa ieņemšanas (piemēram, nepareizi novietota līdzsvara punkta dēļ), kurā plauksta locītavas ir nedabiskā stāvoklī,
- regulāri izmantot pārtraukumus, lai samazinātu atkārtotas slodzes ietekmi,
- ja jums ir kādi plaukstu un roku noguruma simptomi vai sāpes, konsultējieties ar ārstu.

Atsitiena parādība:

- Tā ir pēkšņa, nekontrolēta mašīnas reakcija uz darba instrumenta iesprūšanu vai iestrēgšanu. Iesprūšana vai iestrēgšana noved pie pēkšņas rotējošā instrumenta apstāšanās, kas izraisa instrumenta asas raustiņas.
- Atsitiena parādība ir ierīces nepareizas vai kļūdainas lietošanas un ierīces lietošanas rokasgrāmatā norādīto drošības procedūru neievērošanas rezultāts.

Metodes, lai novērstu atsitiena parādību:

- Ierīce ir jātur stingri un droši, un roku un ķermeņa stāvoklim ir jānovērš atsitiena parādība vai jāmazina šī parādība tās rašanās gadījumā,
- Turiet rokas tālāk no rotējošiem piederumu instrumentiem. Ierīces kļūmes gadījumā nekavējoties pārtrauciet darbu un

atvienojiet ierīci no barošanas avota. Pēc tam pārbaudiet kļūmes iemeslu un, ja nepieciešams, sniedziet ierīci pilnvarotam servisa centram.

- Aizliegts izmantot darba instrumentus ar defektu, piemēram, greizus vai bojātus maisītājus, jo tas var izraisīt ierīces pārslodzi un līdz ar to arī bīstamas situācijas. K) Jaukšanas iekārta, pēc savas konstrukcijas, nav paredzēta pastāvīgai nostiprināšanai uz dažāda veida statīviem, balstiem vai rāmjiem.

Vienmēr stingri turiet elektroinstrumentu abām rokām aiz izolēta roktura.

Rotāciju ātrumu var mainīt ar ātruma slēdzi tikai tad, kad ierīce ir izslēgta un dzinējs nedarbojas.

- Rotāciju ātruma maiņa ierīces darbības laikā var to sabojāt.

	Pirms darba uzsākšanas rūpīgi izlasiet lietošanas instrukciju un visus drošības noteikumus.		Valkājiet drošības apavus
	Produkts atbilst EK drošības standartu prasībām		Izmantojiet ausu aizsardzību
	Nepakļaujiet ierīci lietus vai mitruma iedarbībai.		Valkājiet aizsargcimdus
	Atbrīvojieties no izstrādājuma saskaņā ar EEA direktīvas noteikumiem		Valkājiet aizsargapgārbu
	Valkājiet aizsargbrilles		Valkājiet aizsargmasku

IZMANTOJIET INDIVIDUĀLOS AIZSARDZĪBAS LĪDZEKĻUS

- Lietojiet aizsargbrilles saskaņā ar EN166 standartu
- Lietojiet aizsargmaskas saskaņā ar EN149 standartu
- Lietojiet citus precīzus individuālās aizsardzības līdzekļus atkarībā no veicamā darba veida.

CE Ierīce atbilst Eiropas Savienības direktīvu prasībām:
 zemsprieguma elektriskie aparāti
 Low voltage directive (LVD);
 elektromagnētiskā saderība
 Electromagnetic compatibility (EMC).

Izstrādājums ir apzīmēts ar CE zīmi datu plāksnītē.



Ja uz ierīces ir pārsvītrotā atkritumu konteinera zīme, tas nozīmē, ka uz to attiecas Eiropas direktīvas 2012/19/ES prasības. Iepazīstieties ar prasībām par vietējo elektrisko un elektronisko iekārtu atkritumu savākšanas sistēmu. Rīkojieties atbilstoši vietējo tiesību aktu noteikumiem. Šo izstrādājumu nedrīkst izmest kopā ar parastiem mājsaimniecības atkritumiem. Vecā izstrādājuma pareiza likvidēšana novērs iespējamās negatīvas sekas apkārtējai videi un cilvēku veselībai.

Informācija par apkārtējās vides aizsardzību
Iepakojums ietver tikai nepieciešamus elementus. Ir izdarīts viss iespējams, lai trīs materiāli, no kuriem izgatavots iepakojums, būtu viegli atdalāmi: kartons (kārba); polistirola putas (iekšējie aizsargelementi) un polietilēns (maisīņi, aizsargplēve). Ierīce ir izgatavota no materiāliem, ko var pakļaut otrreizējai pārstrādei un izmantot atkārtoti pēc to demontāžas specializētā uzņēmumā. Ievērojiet vietējo tiesību aktu noteikumus par iepakojuma materiālu, nolietoto bateriju un nevajadzīgu ierīču utilizāciju.

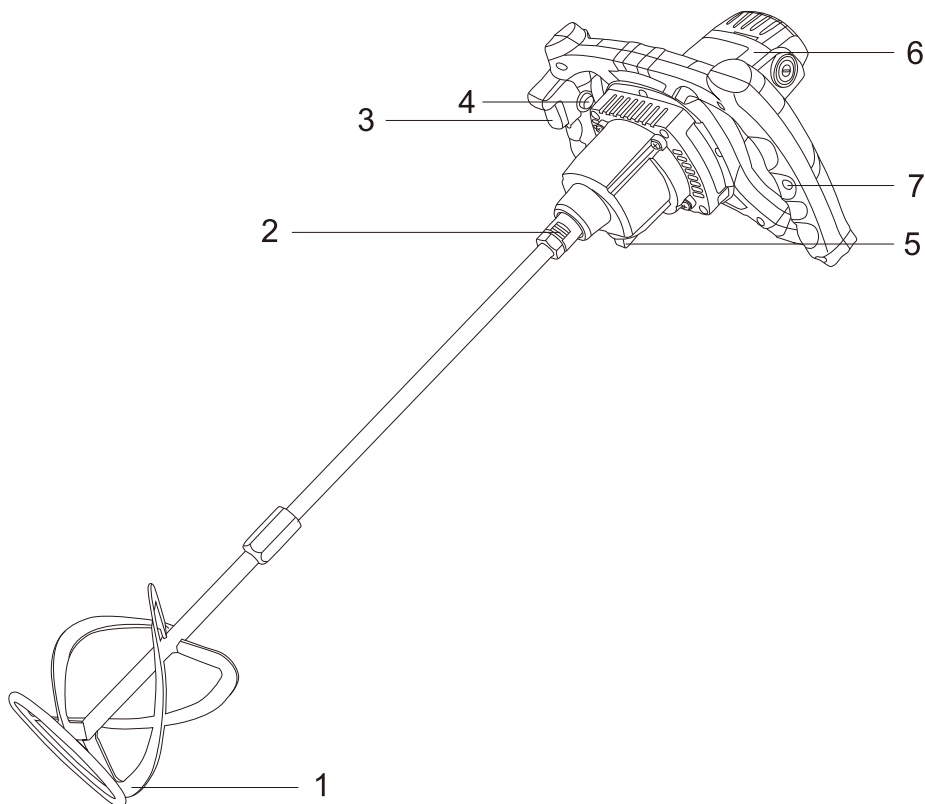


Izstrādājums ir izgatavots no augstas kvalitātes materiāliem un sastāvdaļām, ko var pakļaut otrreizējai pārstrādei un izmantot atkārtoti.

1. Ierīces konstrukcija

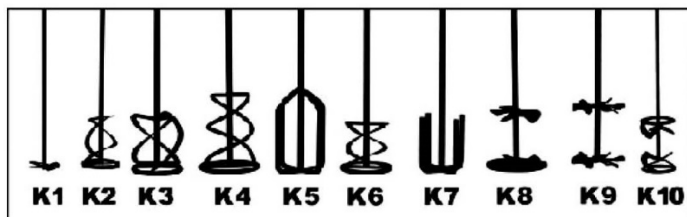
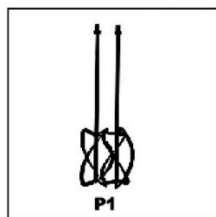
1. Maisītājs
2. Savienojuma ligzda maisītājam M14
3. Ieslēdzis

4. Izslēdža bloķēšanas poga
5. Pārnesuma pārslēgšanas slēdzis
6. Dzinēja korpuss
7. Ātruma regulēšanas poga



2. Maisītāja maiņa

Mēs piegādājam maisītājus K3 kā standarta aprīkojumu viena instrumenta maisītājam. Iespējams uzstādīt citus maisītājus, kas izmanto skrūšsavienojumu M14 (K1-k10 utt.).



3. Ierīces tīrīšana un apkope

Pareiza iekārtas apkope var pagarināt tās kalpošanas laiku; Roktura slēdzim vienmēr ir jādarbojas pareizi, un tas ir labi uzturēts; Sajaukšanas instrumenti jātīra pēc ieliešanas pabeigšanas vai ar tie nav lietoti ilgu laiku; Parasti maisīšanas instrumentus var labi notīrīt ar tekošu ūdeni vai kvarca smiltīm.

Maisīšanas vārpstai vienmēr jābūt aizsargātai pret piesārņojumu;

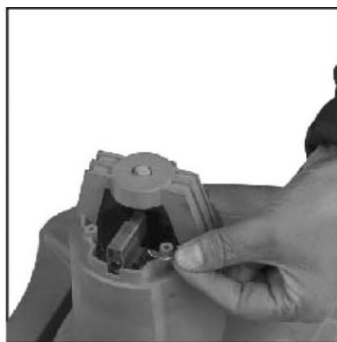
vienmēr uzlieciet aizsargpārsegu uz sešstūra kontaktligzdas cauruma;

Iekārtas darbības laikā nedrīkst aizsegēt dzinēja korpusa ventilāciju, iekārtā nedrīkst atrasties viegli uzliesmojoši materiāli;

Ventilācijas atvere bieži jātīra;



Picture.1



Picture.2

Oglekļa suka ir jāpārbauda un jāapkopj, kad iekārta darbojas līdz 60 stundām, nomainiet suku savlaicīgi, ja konstatējat, ka suka ir nolietota.

(1. att.) Vispirms atvienojiet strāvu, noņemiet dzinēja korpusu.

(2. att.) Izvelciet plāksnīti un nomainiet oglekļa suku.

4. Montāža un apkalpošana

Ierīce jāizmanto ar maisītājiem, kas aprīkoti ar savienojuma galu ar ārējo vītņi M14. Maisītājs tiek uzstādīts ierīcē, veicot šādas darbības:

1. Izņemiet kontaktdakšu no elektrības kontaktligzdas, ja tas tika pievienots.

2. Pagrieziet ierīci tā, lai būtu brīva piekļuve vārpstai.

3. Ievietojiet maisītāja vītņoto galu vārpstas atverē un pēc tam pievelciet.

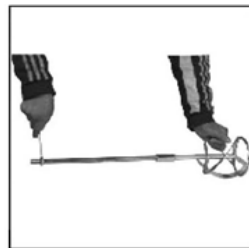
4. Turot vārpstu ar atbilstošo komplektā iekļauto uzgriežņu atslēgu, stingri pievelciet maisītāju.



Picture.1



Picture.2



Picture.3



Picture.4



Picture.5

APGRIEZIENU REGULĒŠANA

Rotācijas ātrumu var mainīt, izmantojot pogu (7. att.), kas atrodas kreisā roktura iekšpusē.

PĀRNESUMA MAIŅA

Griezies momentu var mainīt ar pogu (6. att.).

Mainot rotācijas ātruma diapazonu, atcerieties, ka šo darbību drīkst veikt tikai tad, kad ierīce tika izslēgta. Pretējā gadījumā var tikt bojāti zobrati – ja ir pretestība pārnesumu maiņai, nedaudz pagrieziet vārpstu, lai zobrati būtu sazobē.



(Picture 6)



(Picture 7)

IESLĒGŠANA/IZSLĒGŠANA

Iekārtas ieslēgšanas/izslēgšanas slēdzis (3) atrodas uz labā roktura un ir veidots tā, lai novērstu nejaušu iedarbināšanu.

Lai iedarbinātu elektroinstrumentu, nospiediet fiksatoru (4) un pēc tam ieslēdzi (3). Ierīce tiek izslēgta, kad tiek atlaista ieslēdža poga (6).

Nospiediet ieslēdzi (6), iepriekš neatlaižot (nospiežot) fiksatoru (5), jo tas var sabojāt ierīci.

Tehniskā specifikācija:

Modelis	Em5010
Nominālais spriegums	230 V~50 Hz
Nominālā jauda	1400 W
Nominālais ātrums bez slodzes	0-600/min 0-900/min
Maisīšanas diametrs	120 mm
Skaņas spiediena līmenis	LpA =92.0dB(A)
Skaņas jaudas līmenis	LWA =103.0dB(A)
Neprecizitāte K	K =3dB(A)
Maksimālā vibrācijas vērtība	3.157m/s ²
Neprecizitāte K	K =1.5m/s ²

EC – DECLARATION OF CONFORMITY

01/2022/EM5010

MANUFACTURER:

BLAUPUNKT COMPETENCE CENTER

2N-Everpol Sp. z o.o.

ul. Puławska 403A

02-801 Warsaw, Poland

Authorized person to prepare the technical documentation:

Tomasz Jakóbczyk

ul. Puławska 403A

02-801 Warsaw, Poland



Blaupunkt Competence Center
2N-Everpol Sp. z o.o.

Registered office:

Puławska 403A

02-801 Warsaw, Poland

Correspondence address:

Puławska 12

05-532 Baniocha, Poland

Phone +48 22 688 08 00

We declare under our sole responsibility that our product:

Type of device:

ELECTRIC MIXER

Name:

EM5010

If used for its intended use complies with the essential protection requirements relating to the:

2014/30/EU (EMC Directive)

2014/35/EU (LVD Directive)

2006/42/EC (MD Machinery Directive)

2011/65/EU (RoHS Directive) and its Annex II amending directive 2015/863/EU

The assessment of this product has been based on the following standards:

EMC standards:

EN IEC 61000-3-2:2019 + A1:2021

EN 61000-3-3:2013+A1:2019

EN IEC 55014-1:2021

EN IEC 55014-2:2021

MD and LVD standards:

EN ISO 12100:2010

EN 62233:2008

EN 62841-1:2015

EN 62841-2-10:2017

RoHS standards:

EN IEC 63000:2018

Warsaw, 17.08.2022

authorized person to issue the declaration of conformity

PREZES Zarządu

Tomasz Jakóbczyk

Tomasz Jakóbczyk

President

DEKLARACJA ZGODNOŚCI WE

01/2022/EM5010

PRODUCENT:

BLAUPUNKT COMPETENCE CENTER

2N-Everpol Sp. z o.o.

ul. Puławska 403A

02-801 Warszawa, Polska

Osoba upoważniona do przygotowania dokumentacji technicznej:

Tomasz Jakóbczyk

ul. Puławska 403A

02-801 Warszawa, Polska



Blaupunkt Competence Center
2N-Everpol Sp. z o.o.

Dane rejestrowe:

Puławska 403A

02-801 Warszawa, Polska

Adres korespondencyjny:

Puławska 12

05-532 Baniocha, Poland

Telefon +48 22 688 08 00

Deklarujemy, na naszą wyłączną odpowiedzialność, że produkt:

Typ urządzenia:

Mieszadło do betonu

Symbol:

EM5010

Jeżeli jest stosowany zgodnie z przeznaczeniem, spełnia zasadnicze wymogi w zakresie poniższych dyrektyw:

2014/30/WE (Dyrektywa EMC)

2014/35/WE (Dyrektywa LVD)

2006/42/WE (Dyrektywa maszynowa MD)

2011/65/WE (Dyrektywa RoHS) oraz załącznik II do dyrektywy zmieniającej

2015/863/UE

Ocena tego produktu została oparta na następujących normach:

Normy EMC:

EN IEC 61000-3-2:2019 + A1:2021

EN 61000-3-3:2013+A1:2019

EN IEC 55014-1:2021

EN IEC 55014-2:2021

Normy MD oraz LVD:

EN ISO 12100:2010

EN 62233:2008

EN 62841-1:2015

EN 62841-2-10:2017

Norma RoHS:

EN IEC 63000:2018



PREZES Zarządu
Tomasz Jakóbczyk
Prezident

Tomasz Jakóbczyk

Imię i nazwisko osoby upoważnionej do wystawienia deklaracji zgodności

Warszawa, 17.08.2022



Competence Center

2N-Everpol Sp. z o.o.
ul. Puławska 403A
02-801 Warsaw, Poland
phone: +48 22 688 08 00
e-mail: info@everpol.pl
www.blaupunkt.com

W przypadku pytań lub problemów
prosimy o kontakt z naszym serwisem.
In case of questions or problems
please contact our service.
Tel. 00 48 22 688 08 33
Email: sda@blaupunkt.pl

Wszelkie prawa zastrzeżone. Wszystkie nazwy marek są zarejestrowanymi
znakami towarowymi należącymi do odpowiednich podmiotów.
Dane i parametry techniczne mogą ulec zmianie bez wcześniejszego uprzedzenia.

All rights reserved. All brand names are registered trademarks of their
respective owners. Specifications are subject to change without prior notice.

Enjoy it.