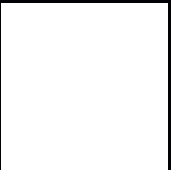




**BMW
MOTORRAD**

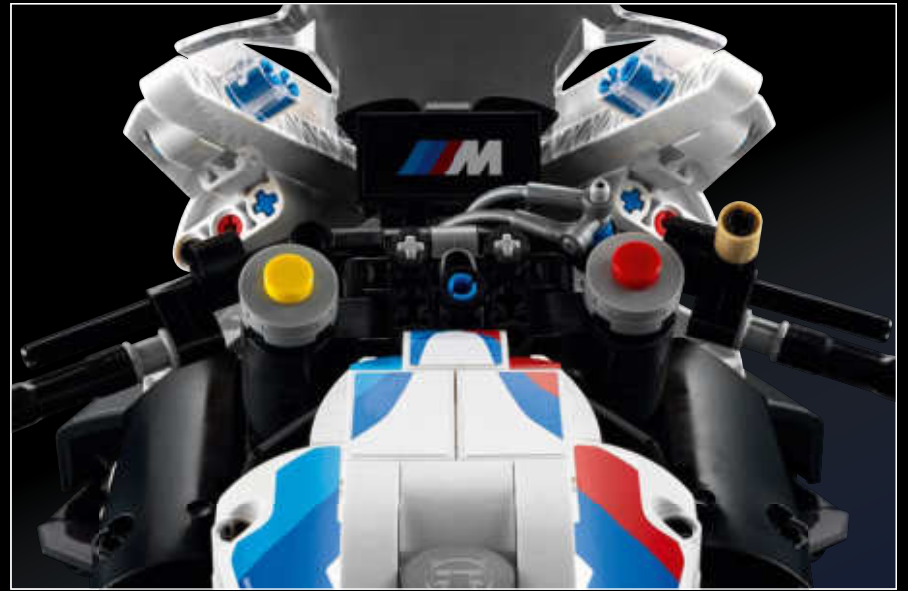


Booklet available in English on
Heft in deutscher Sprache erhältlich auf
Livret disponible en français sur
Libretto disponibile in italiano su
Folletto disponible en español en
如需中文版手册, 请访问









BMW M 1000 RR

When BMW Motorrad's in-house performance experts announced the first-ever M-developed motorcycle, the BMW M RR, everyone knew that the result was going to be something special. In the same way, the LEGO® Technic team realised it would take something never seen before to pay true tribute to the M RR. The result is both a motorcycle and a Technic model that are state-of-the-art within their respective fields.





THE PINNACLE OF PERFORMANCE

The quest for enhanced performance on both racetrack and road is what defines this M version of a high-performance motorcycle. With the original RR superbike as the perfect foundation, the BMW Motorrad team set about coaxing more power out of the water-cooled 999-cc inline four-cylinder engine, while also introducing design upgrades like carbon fibre wheels and titanium exhaust system to reduce overall weight.





A MATTER OF SCALE

The first challenge the LEGO® Technic designers faced was to set the scale of the model. Too small and it would be difficult to replicate the many features and functions of the real M RR. Too big and it would challenge the Technic building system. With a 1:5 scale, it became the largest Technic motorcycle model ever created. The Technic team worked closely with the designers and engineers at BMW Motorrad to ensure the LEGO Technic version was as close to the real M RR as possible.

SAMUEL TACCHI
Designer
LEGO® Technic



“

**IT TOOK ME BACK TO WHEN I WAS
DESIGNING MOTORCYCLES.”**

Samuel Tacchi



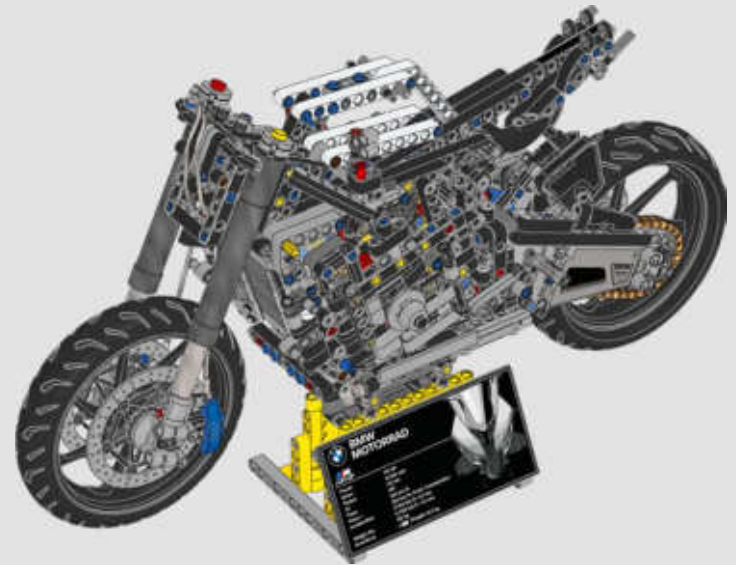
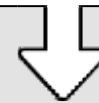
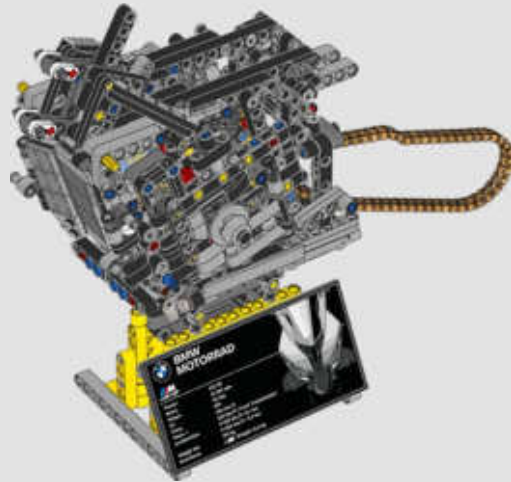
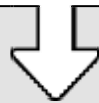
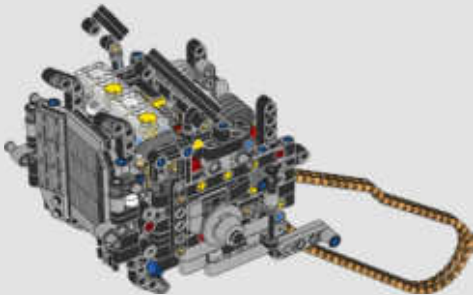
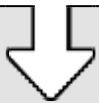
With a background in motorcycle design and a huge passion for riding them as well, LEGO® Technic designer Samuel Tacchi was the natural choice to lead this project.

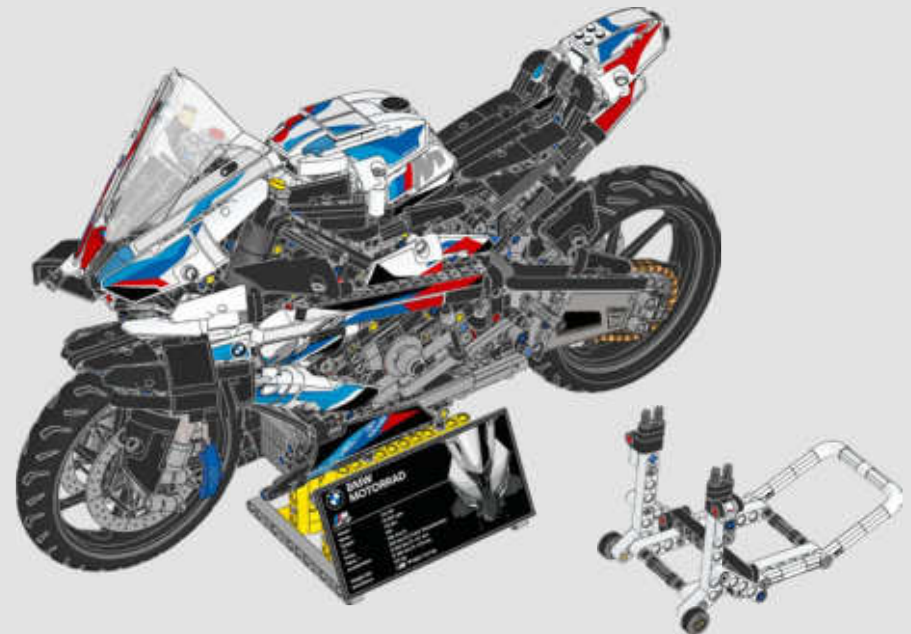
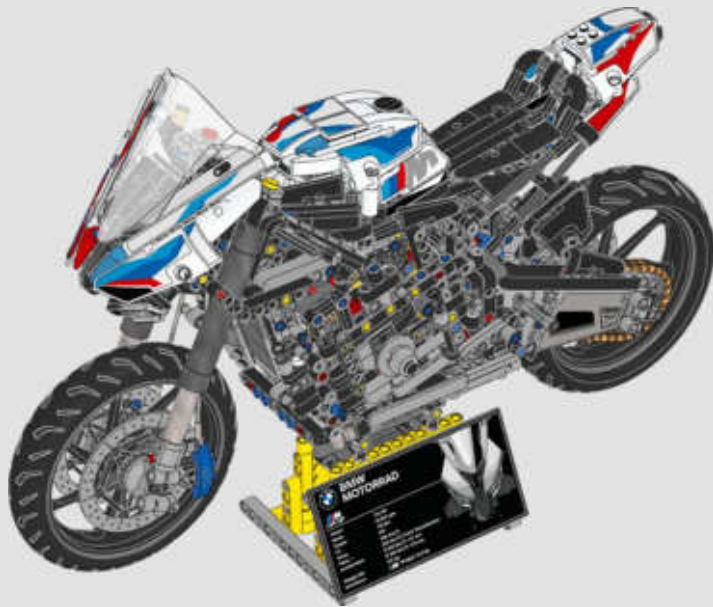


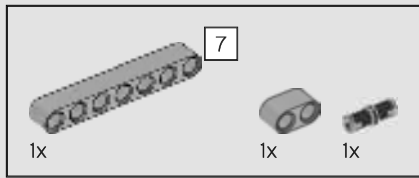
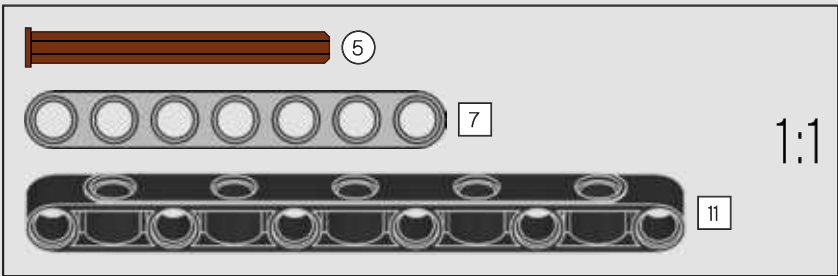
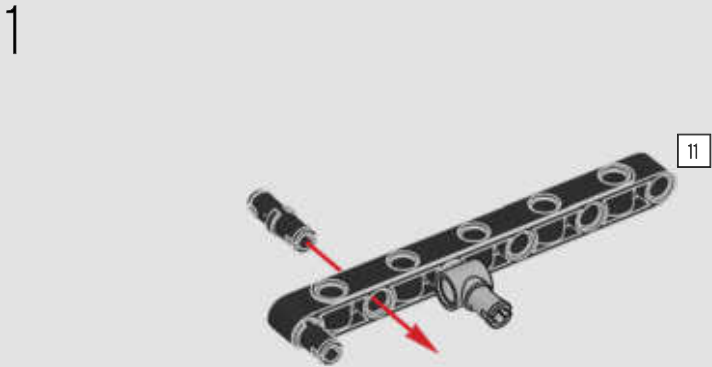
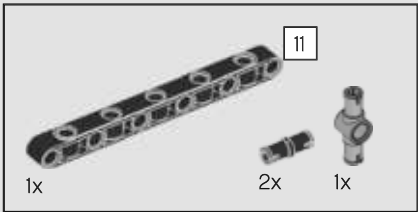
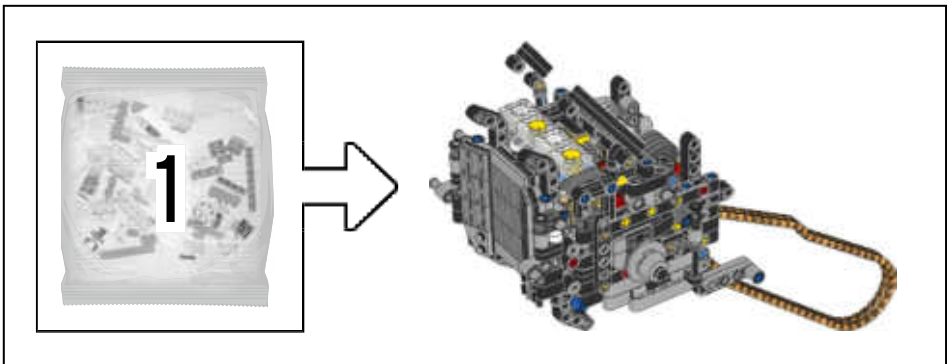


PUSHING THE TECHNIC BUILDING SYSTEM

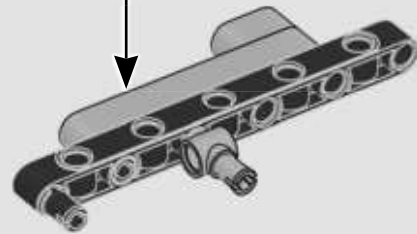
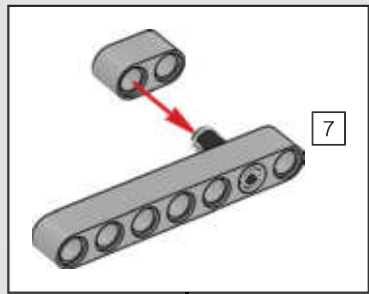
The Technic version of the M RR needed the design of eight new pieces and Senior Designer Daniel Sri Sudarsono oversaw this process. It started with the new front and rear suspension setup needed to support the 1.4 kg (3 lbs.) weight of the model. New rims, disc brakes and a transparent windscreen quickly followed, all of which had to be tried and tested before being approved for use in the final model.



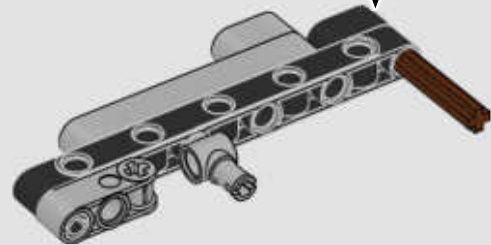
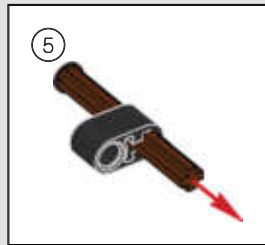




2

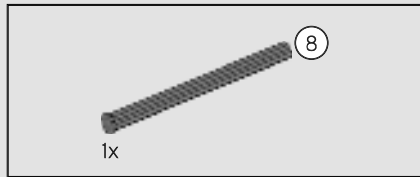
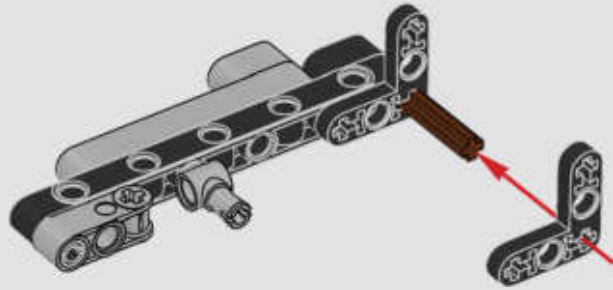


3

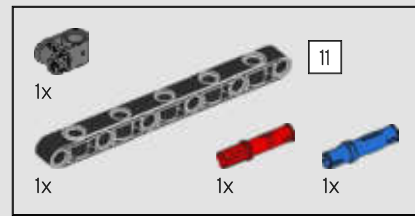
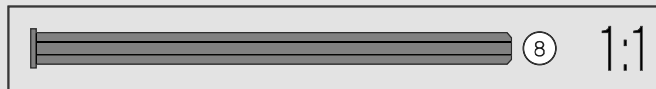
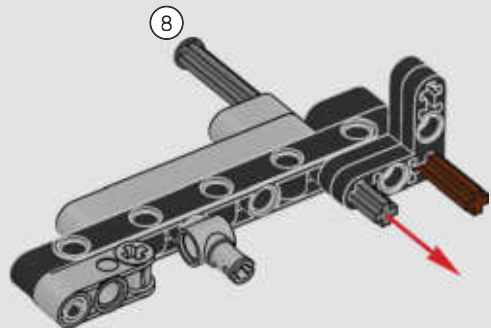




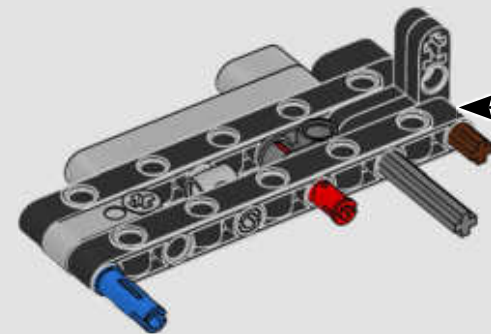
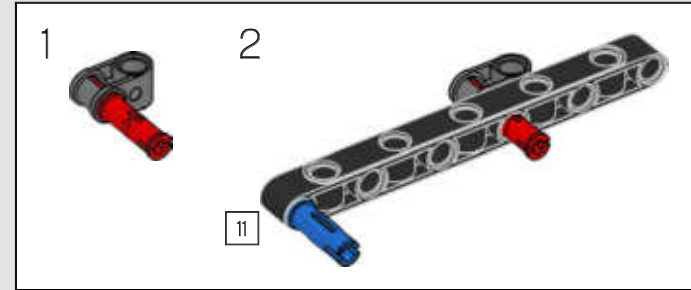
4



5

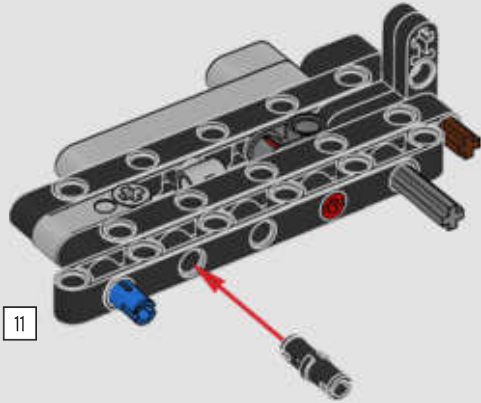


6

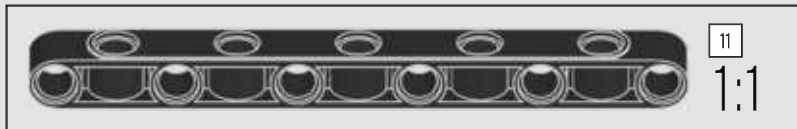
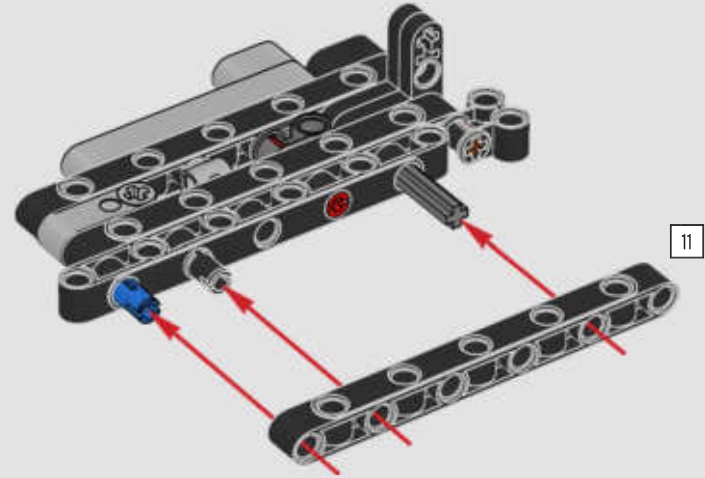


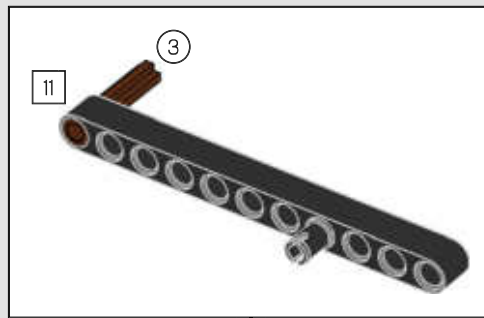
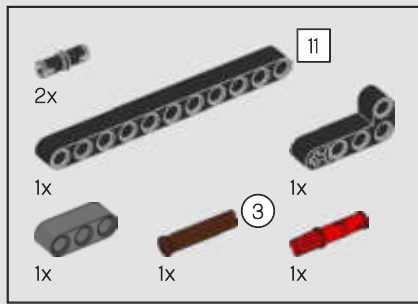


7

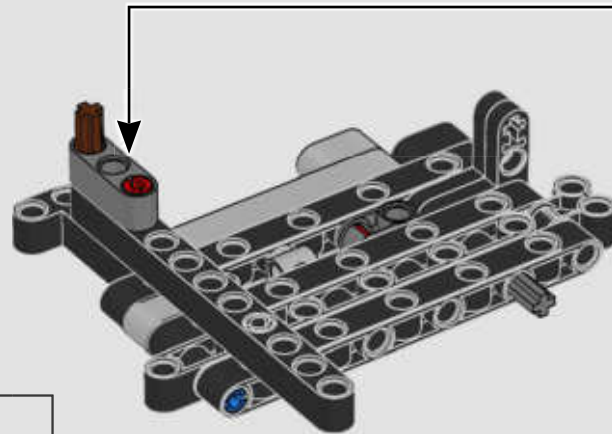
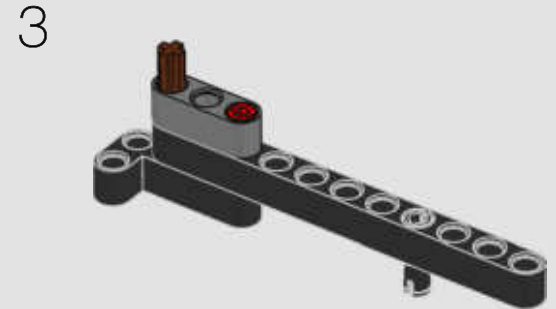
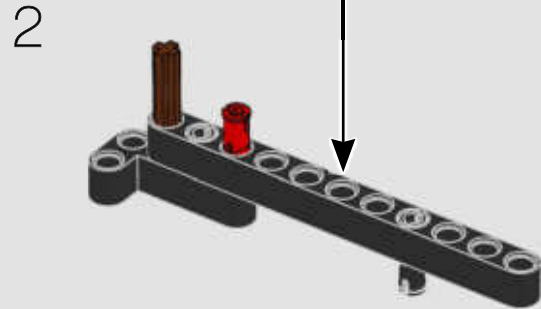
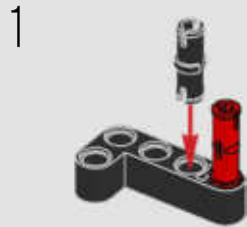


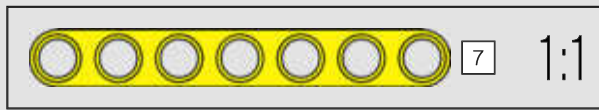
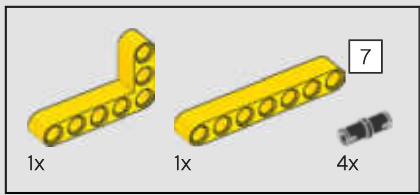
8



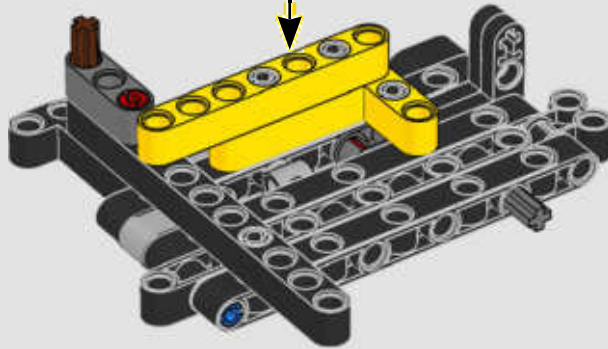
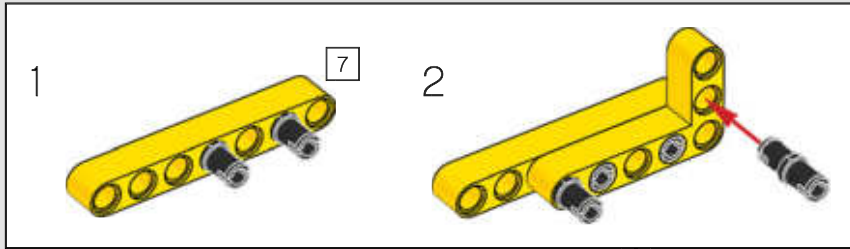


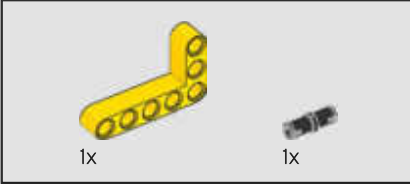
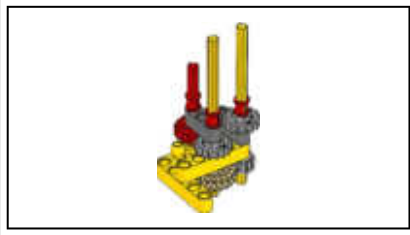
9



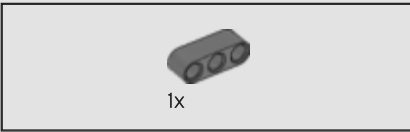
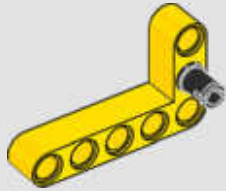


10

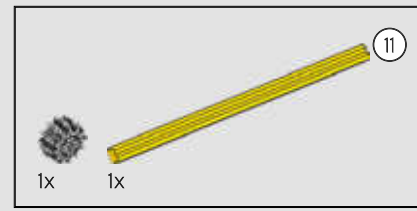
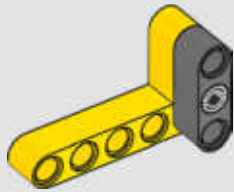




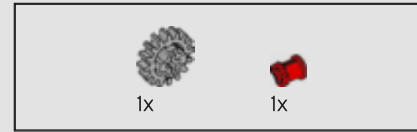
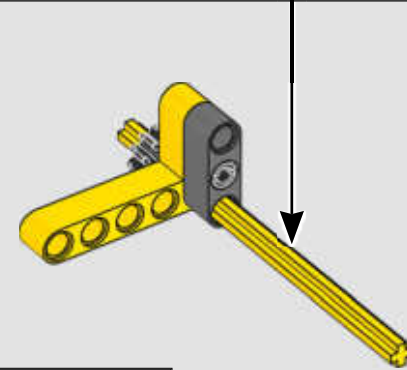
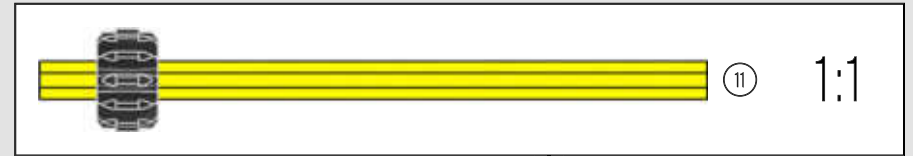
11



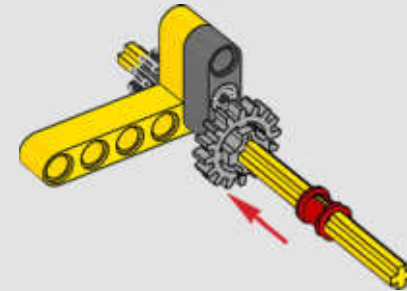
12

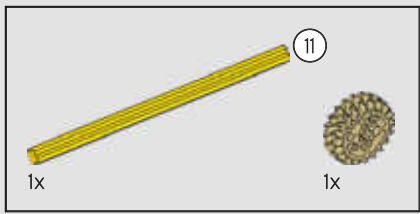


13

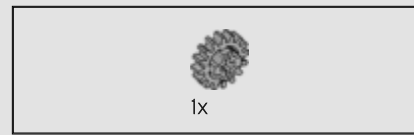
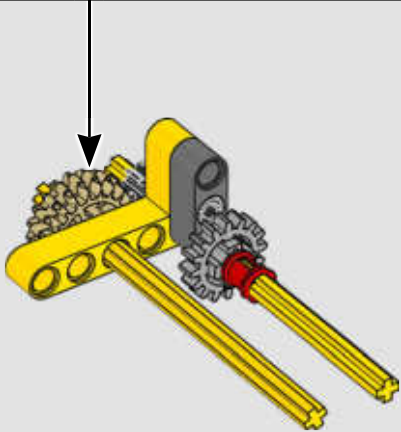
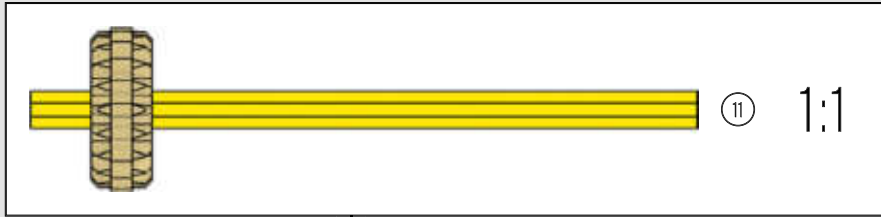


14

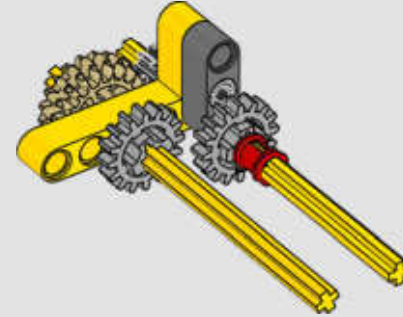




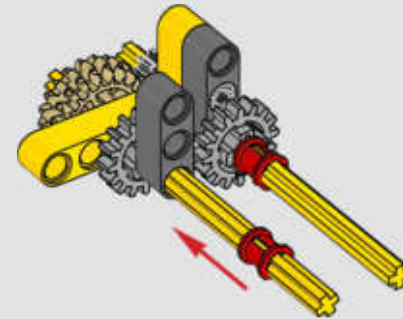
15

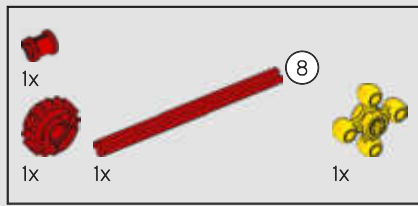


16

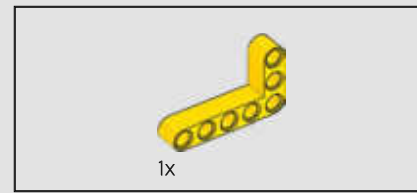
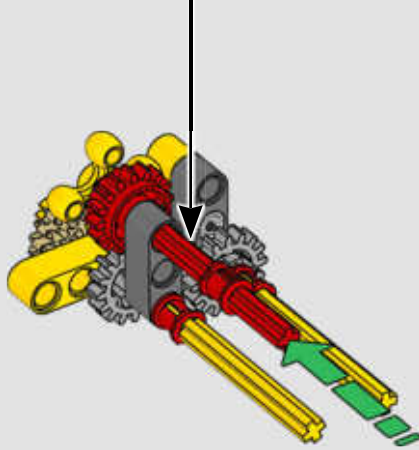
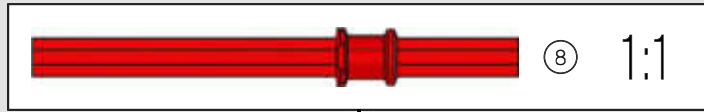


17

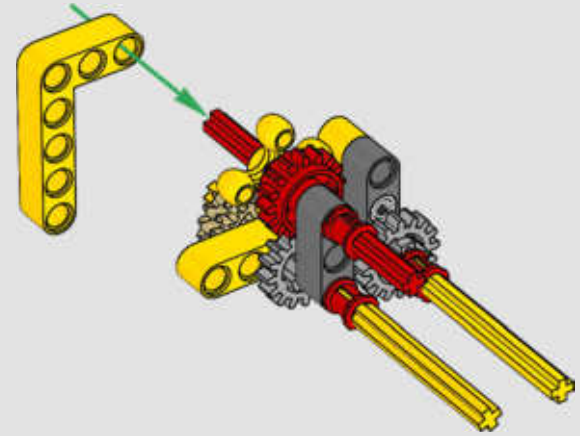




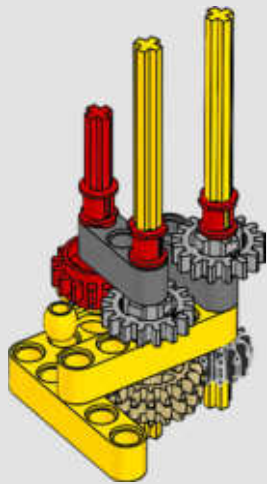
18



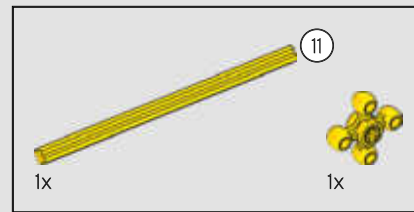
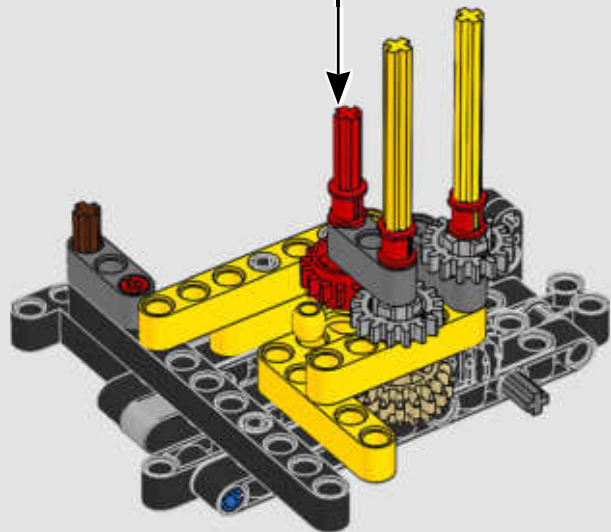
19



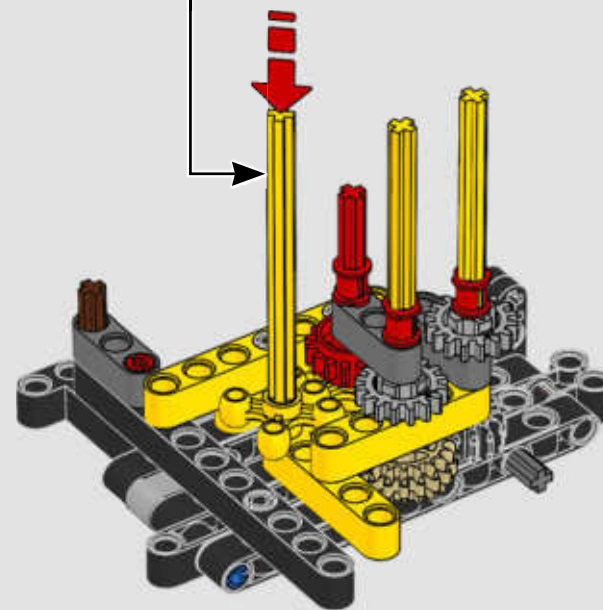
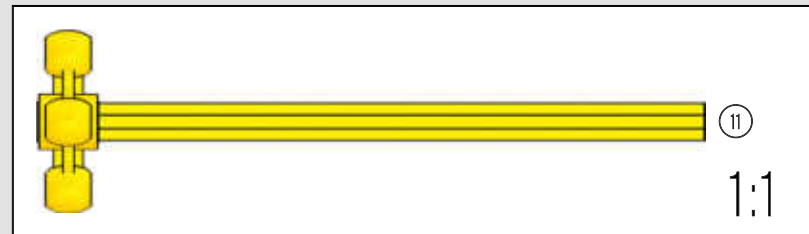
20

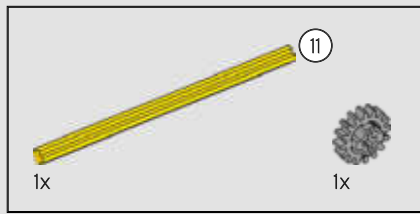


21

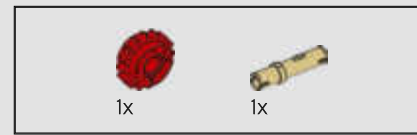
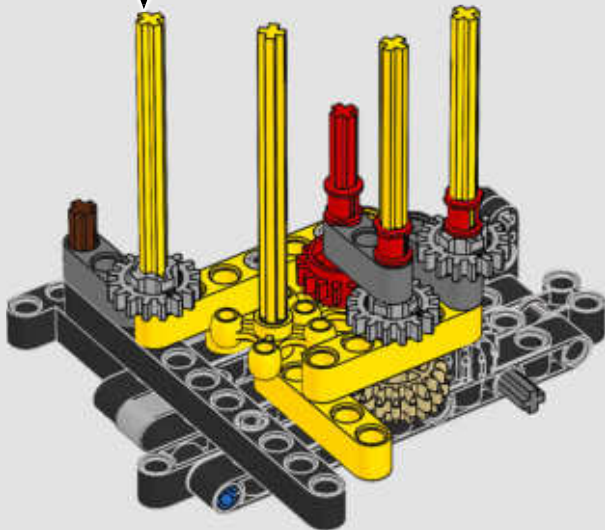
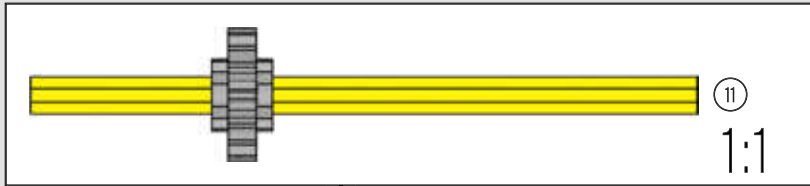


22

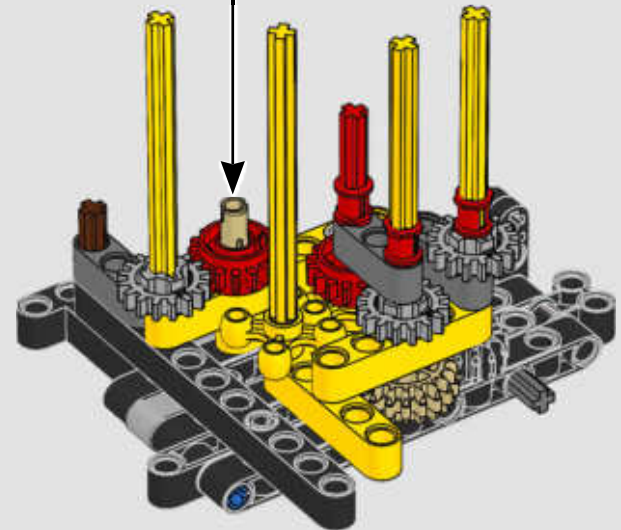


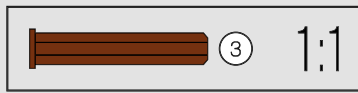
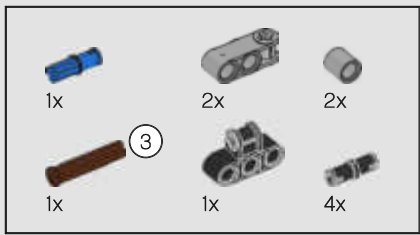


23

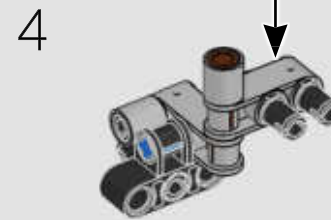
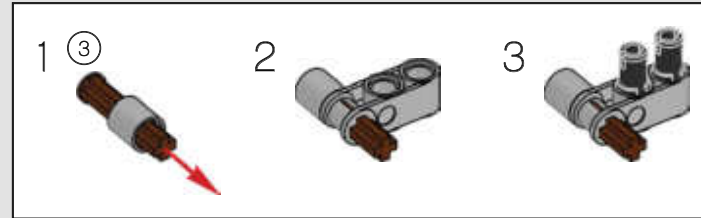
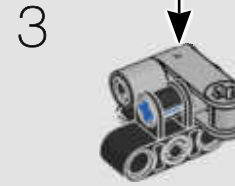
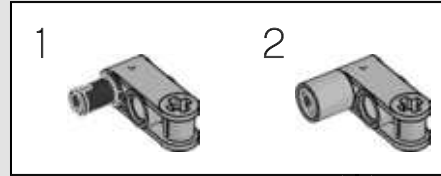


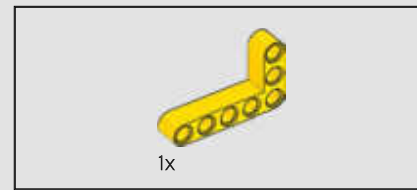
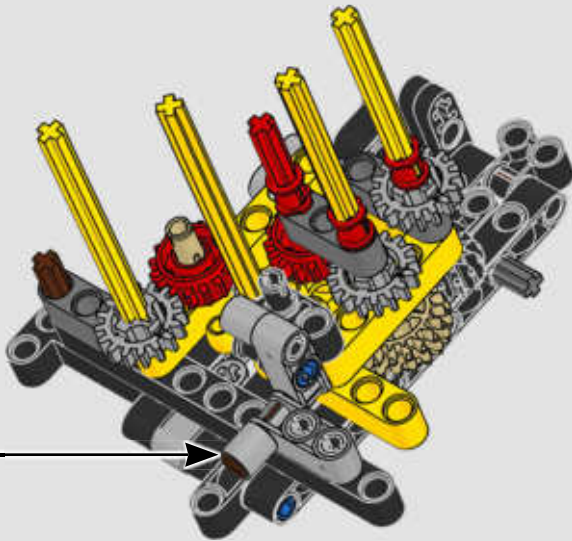
24



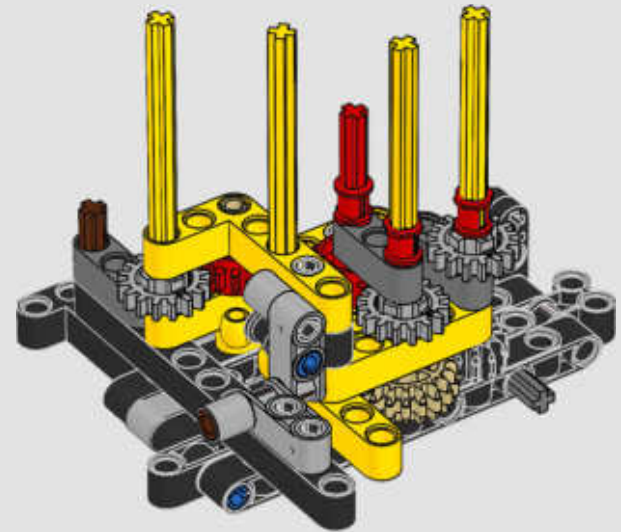


25



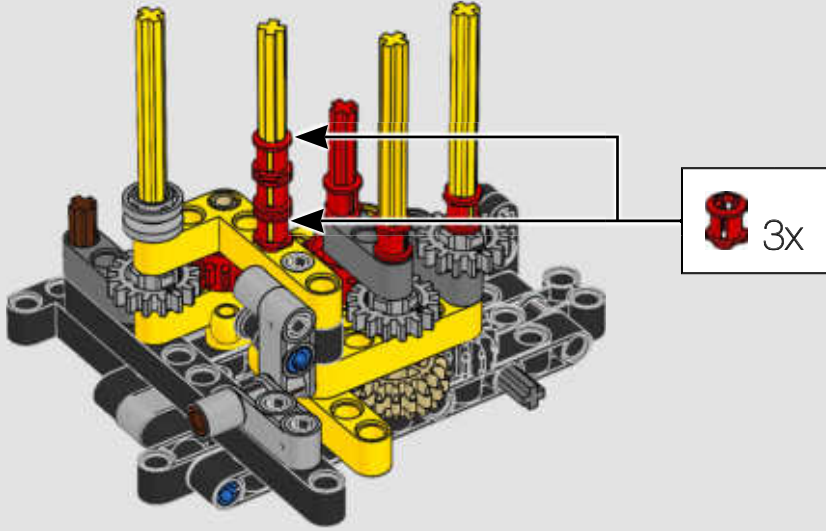


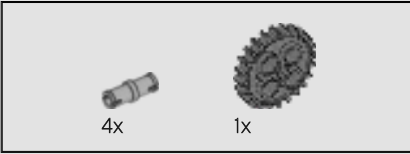
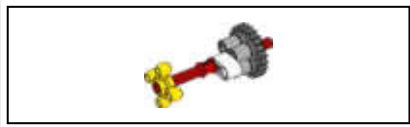
26



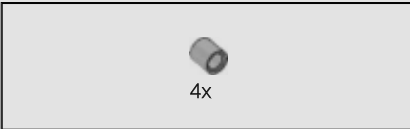


27

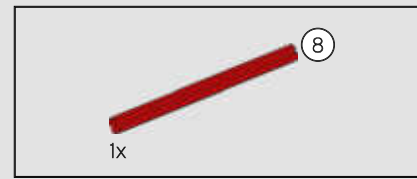
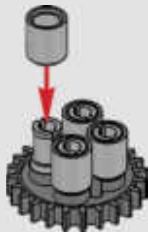




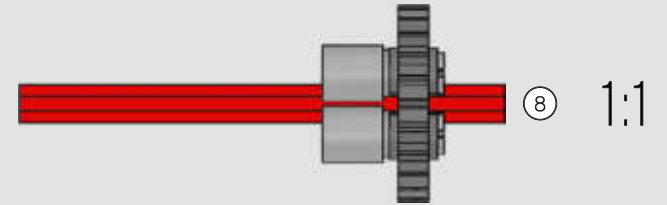
28



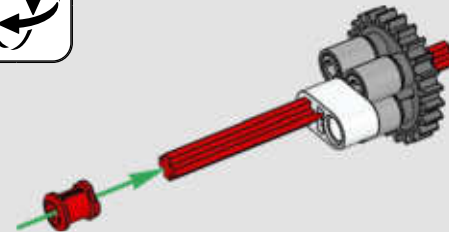
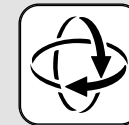
29

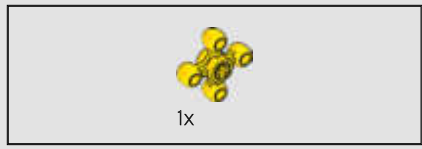


30

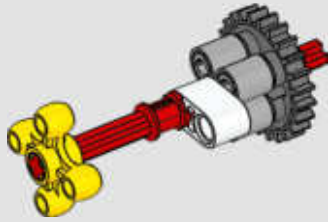


31

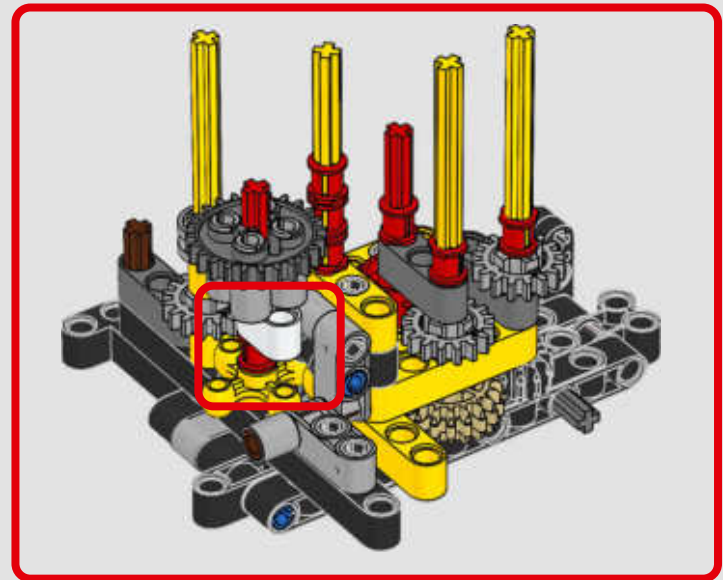
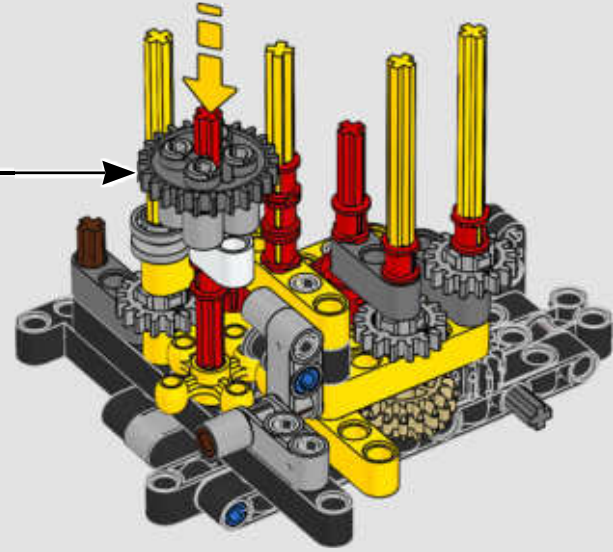


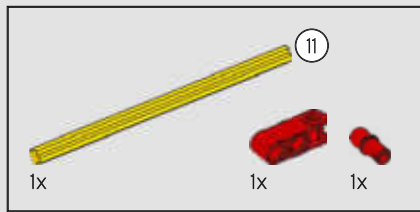


32

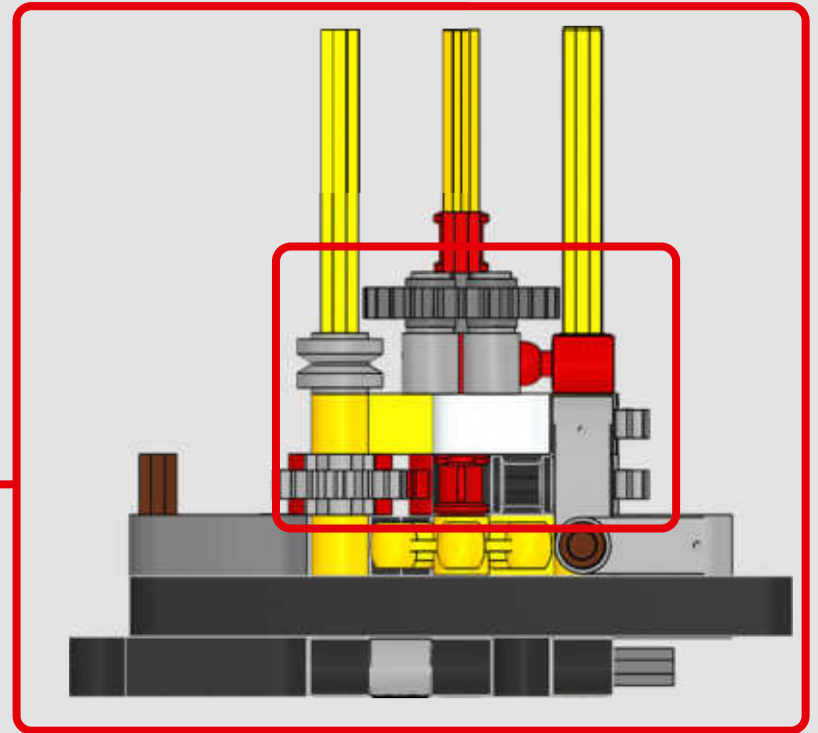
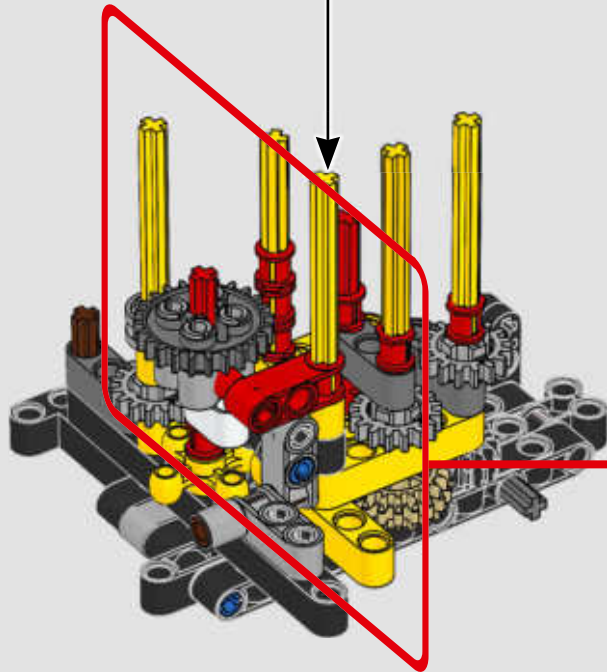
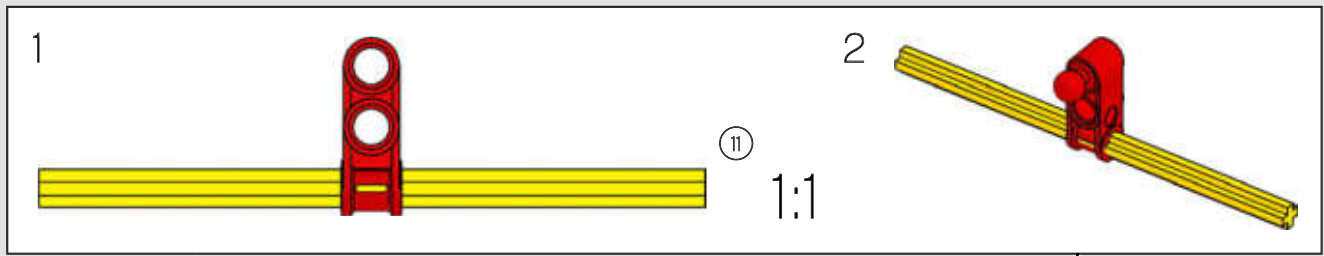


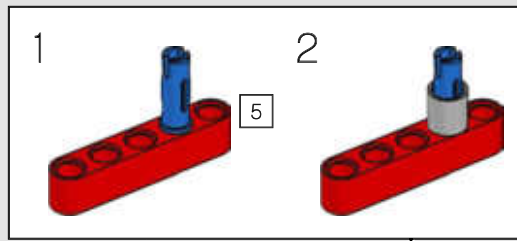
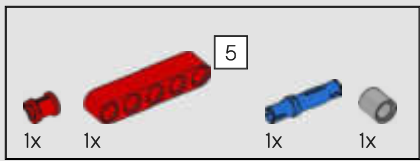
33



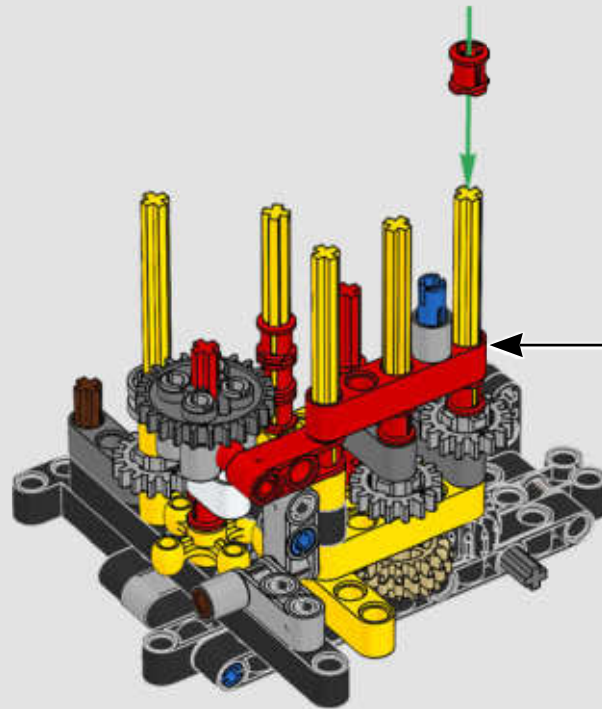


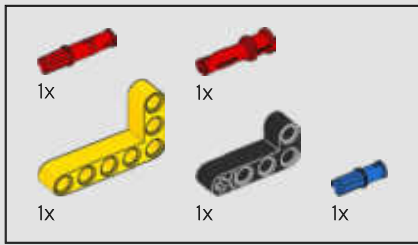
34



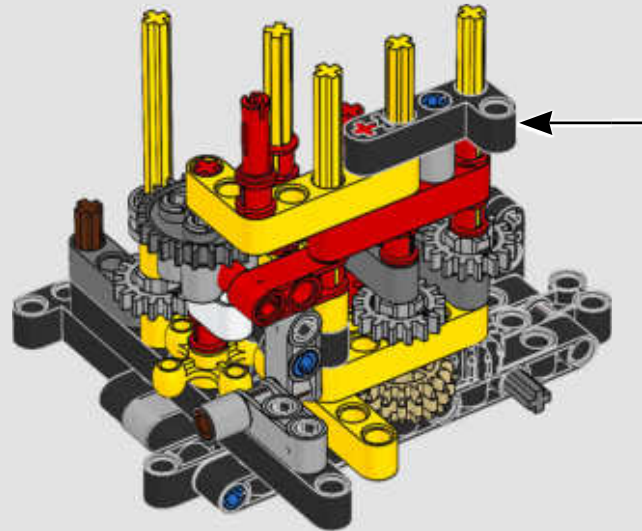
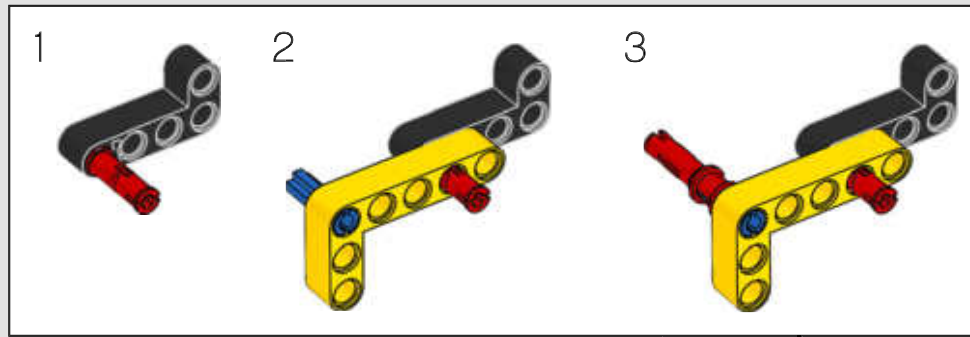


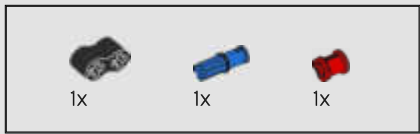
35



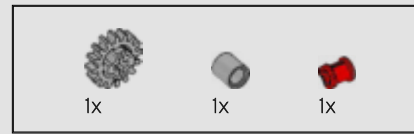
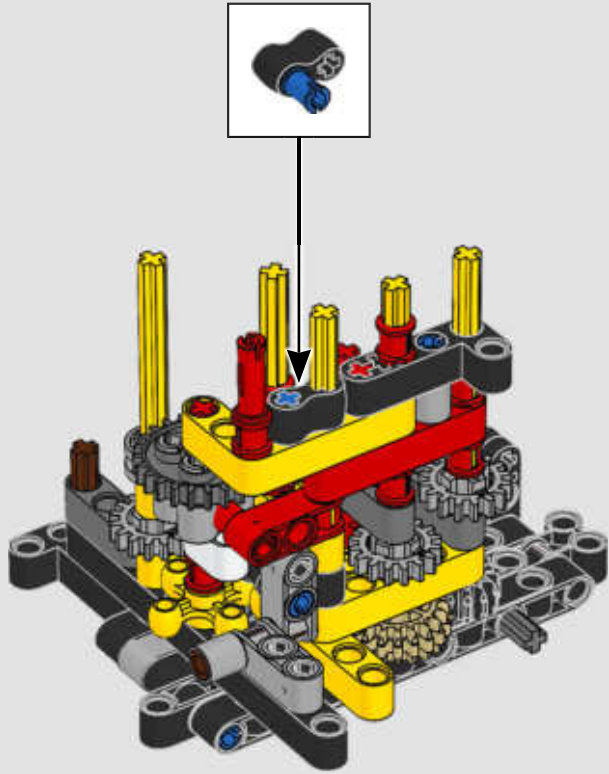


36

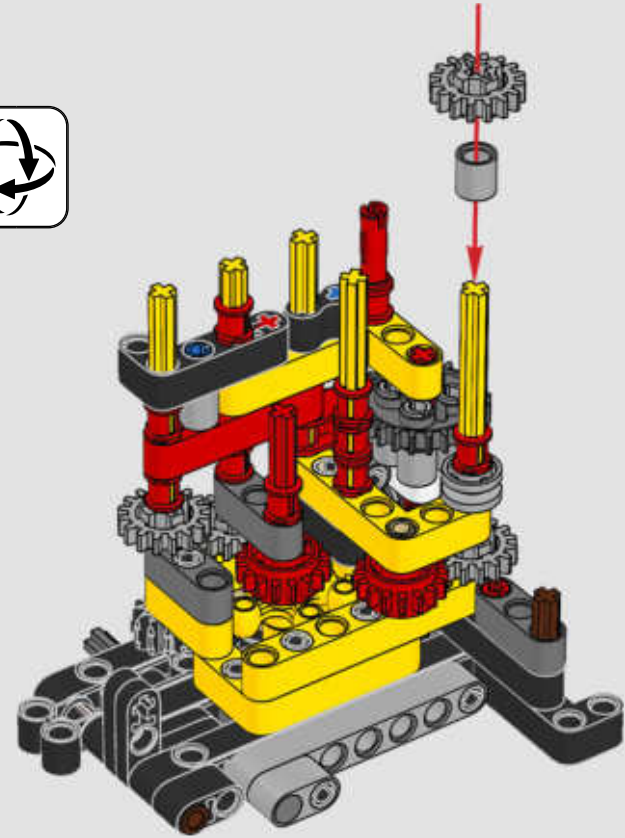
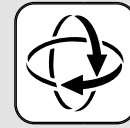


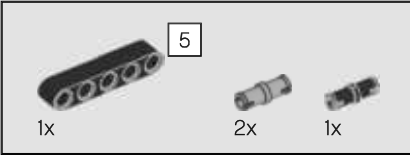
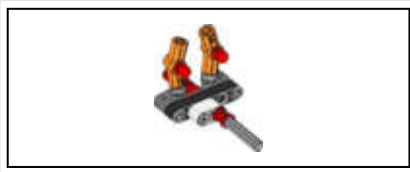


37



38

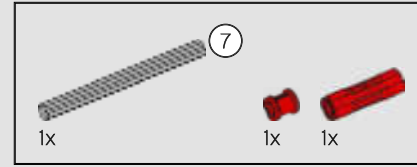
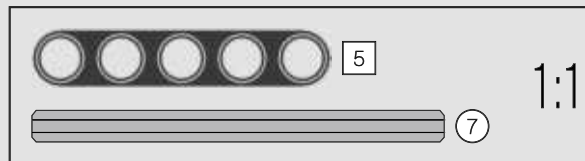




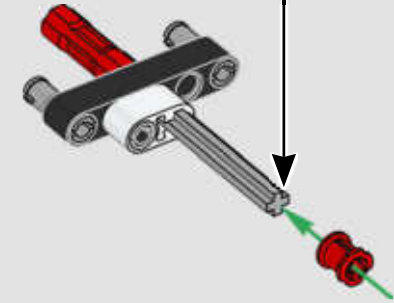
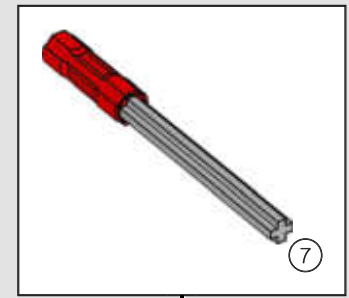
39



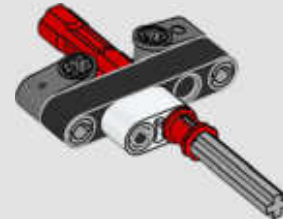
40

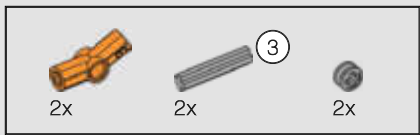


41

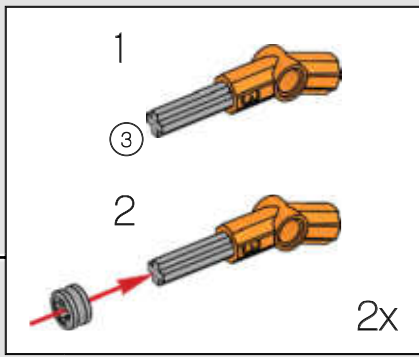
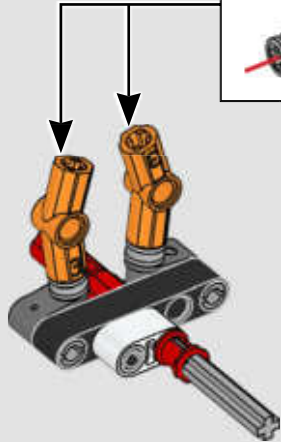


42

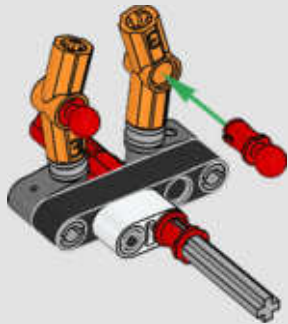




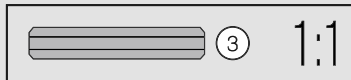
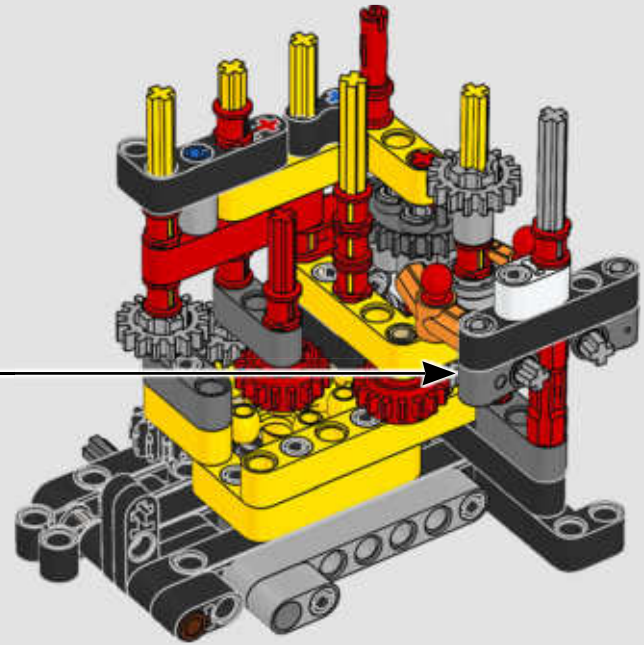
43



44

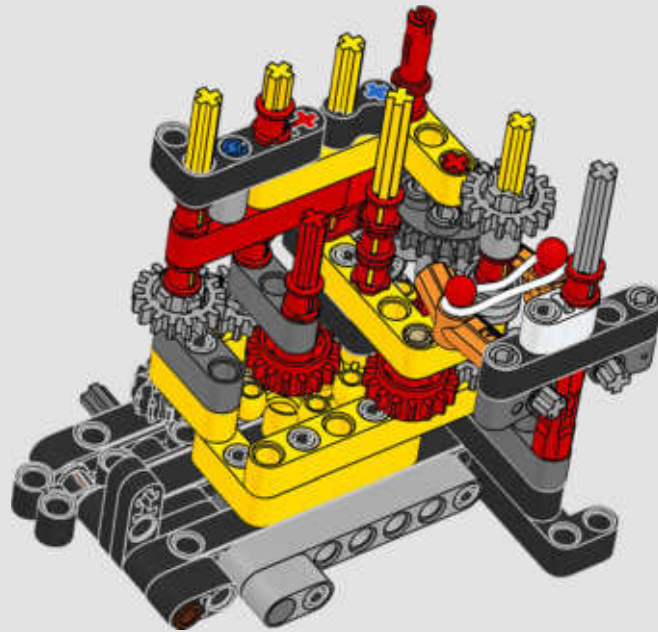


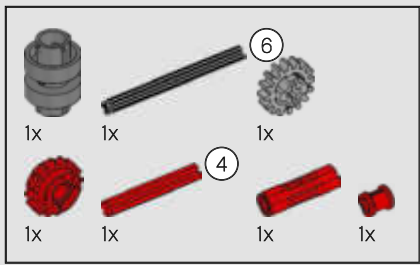
45



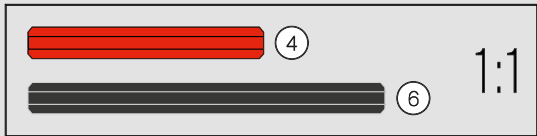
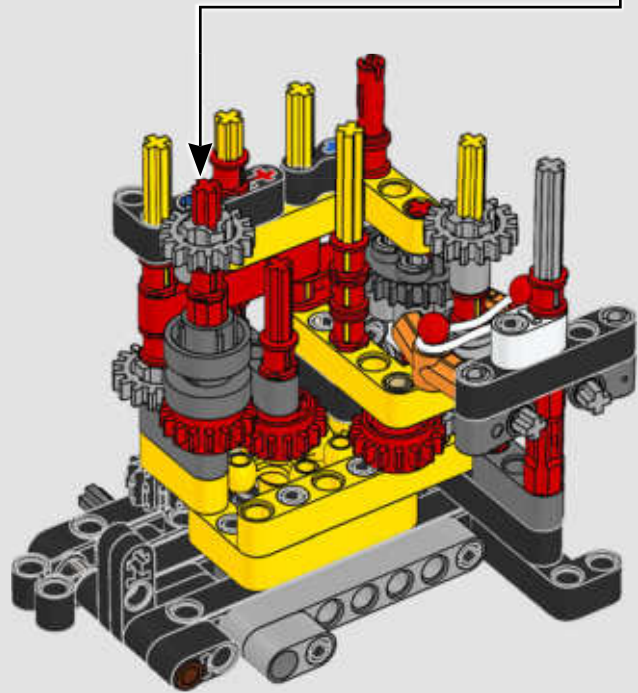
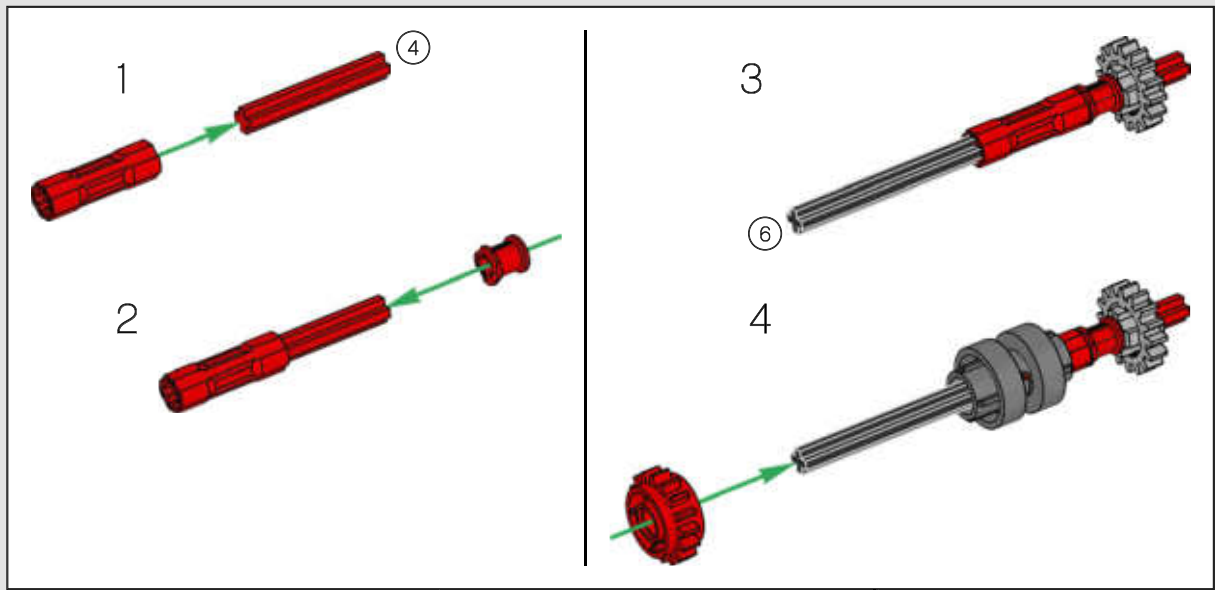


46



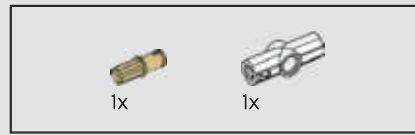
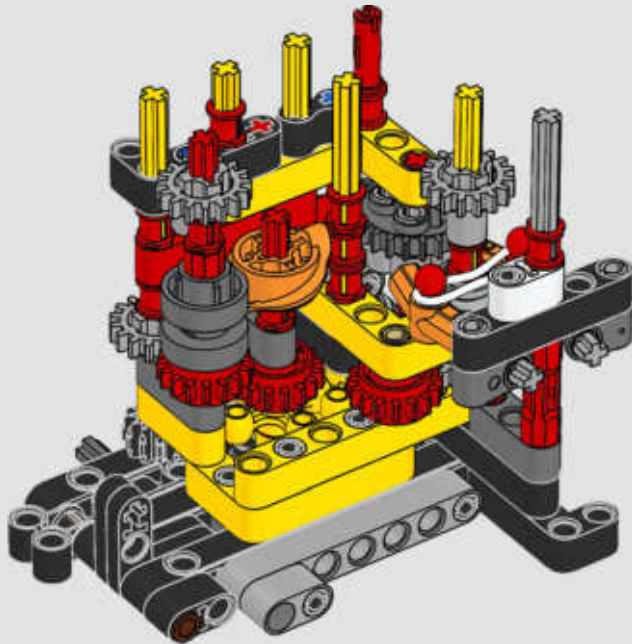
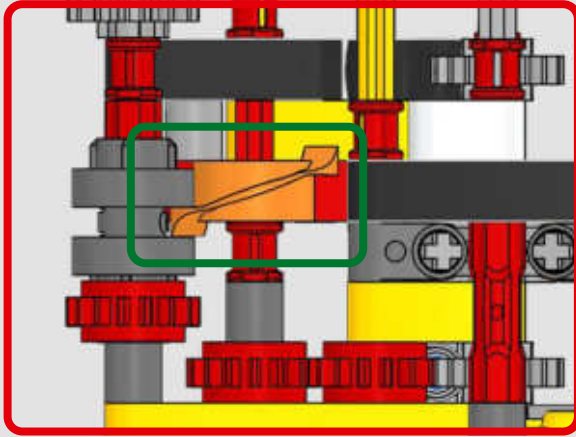


47

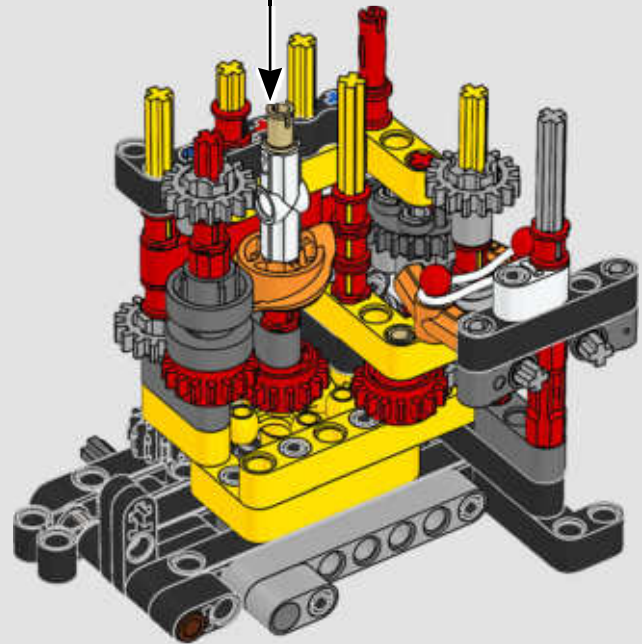
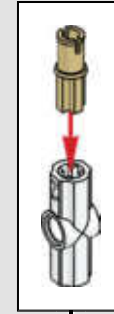




48



49

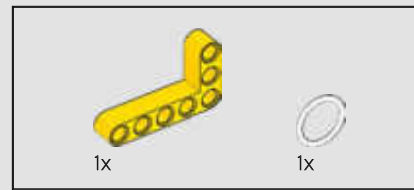
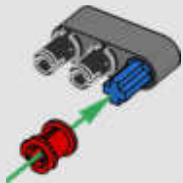




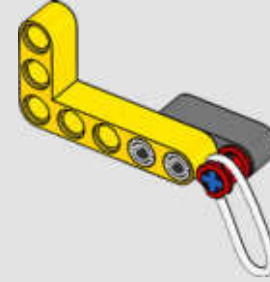
50



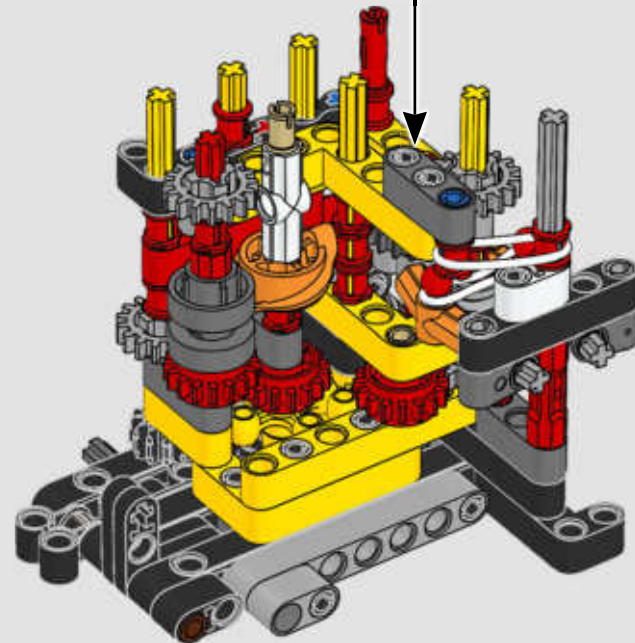
51

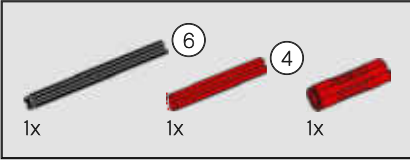


52

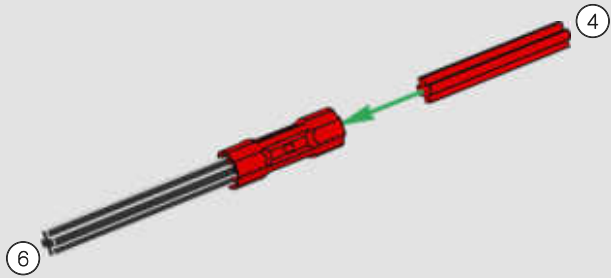


53

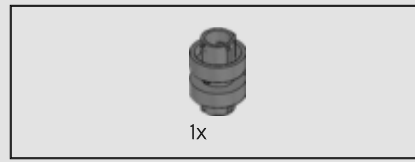
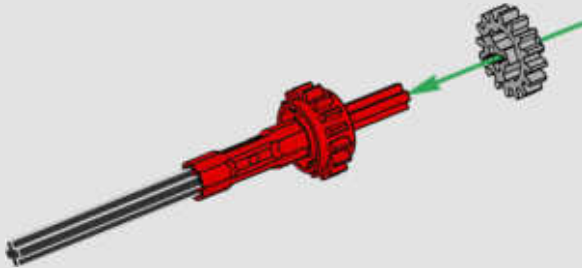




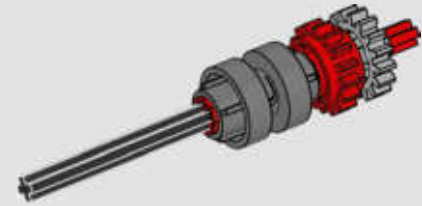
54



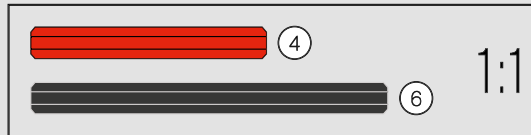
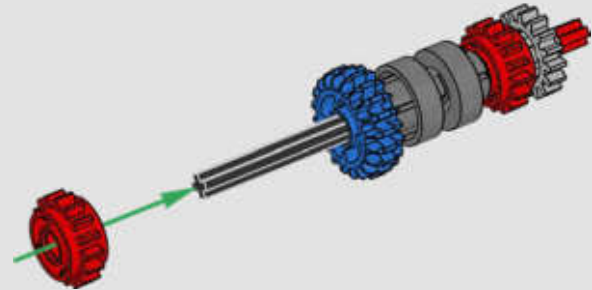
55



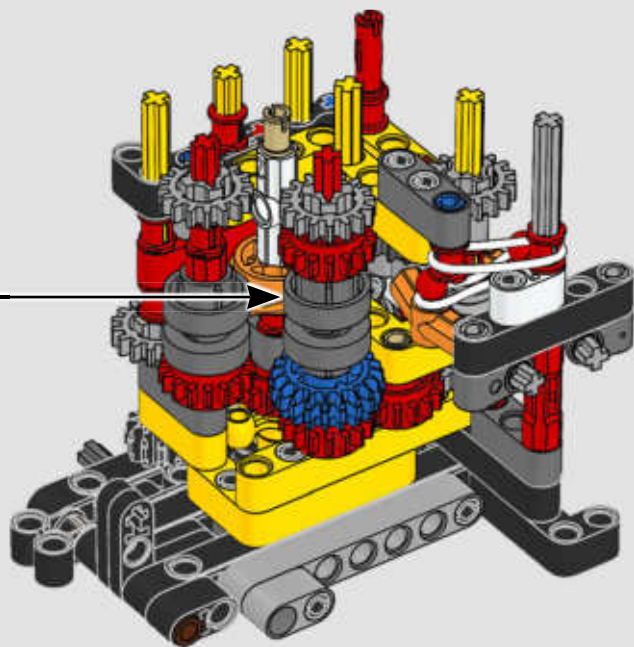
56

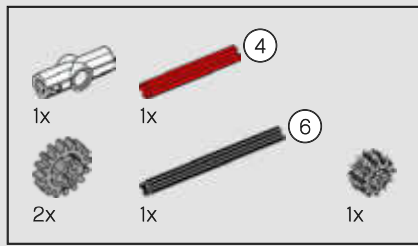


57

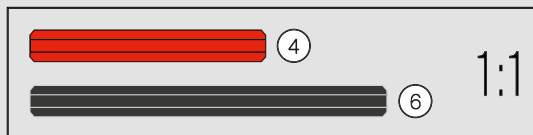
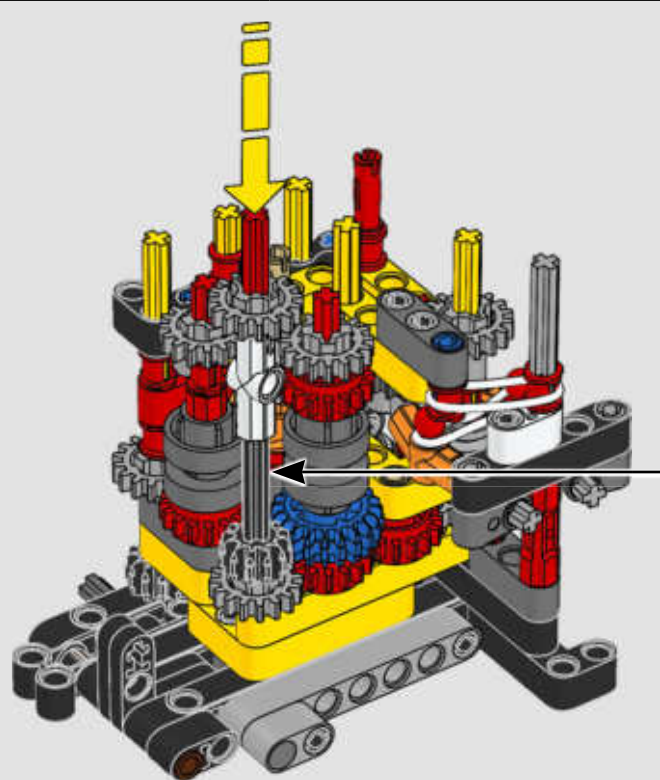
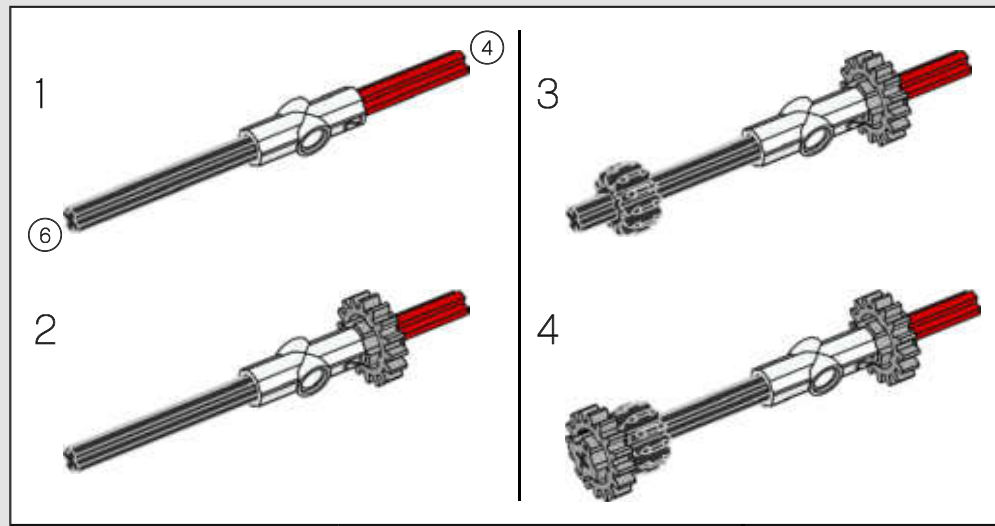


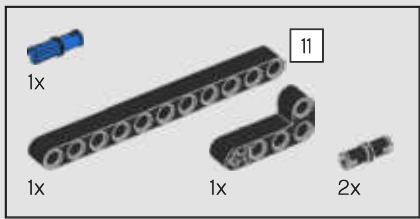
58



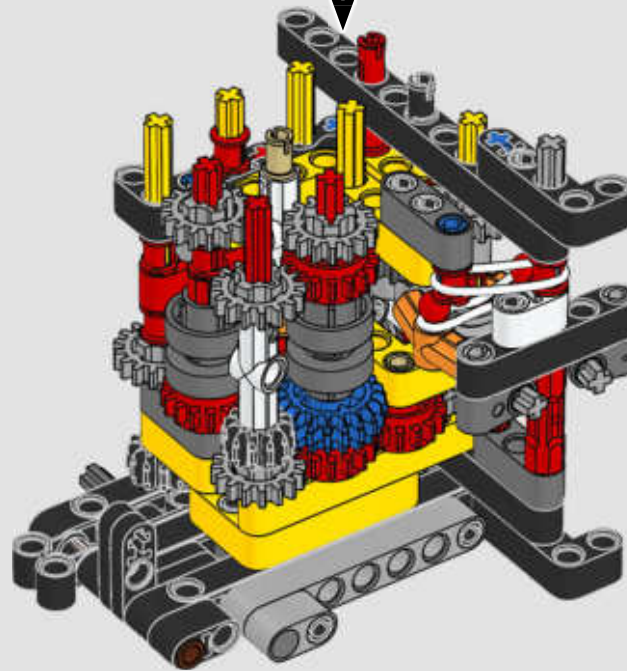
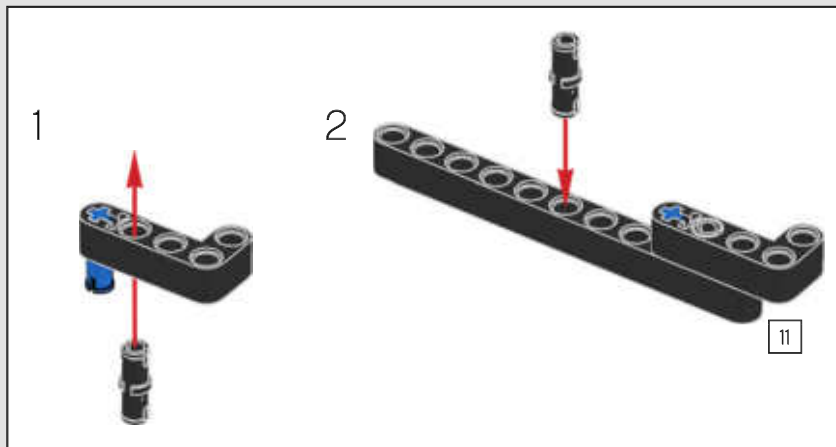


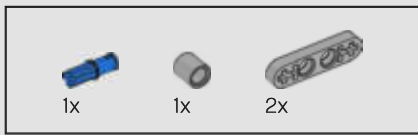
59



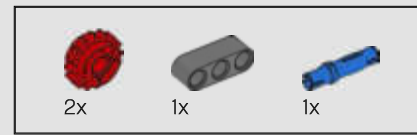
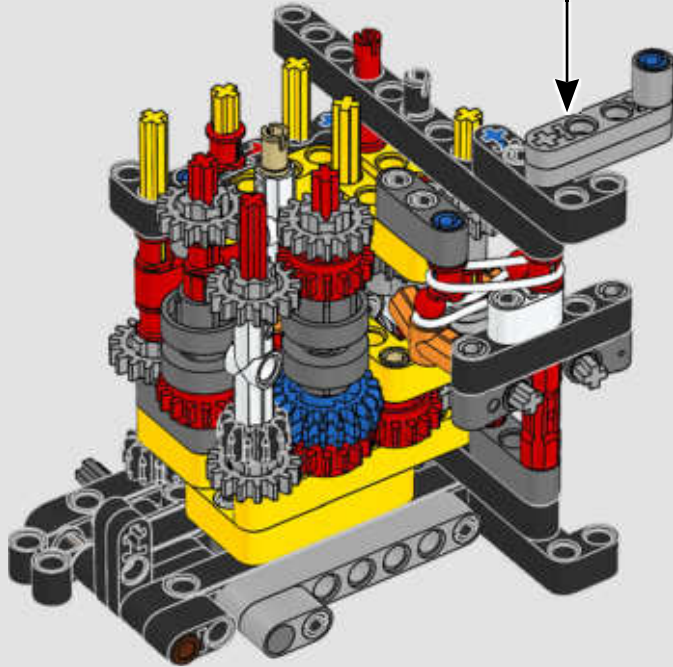
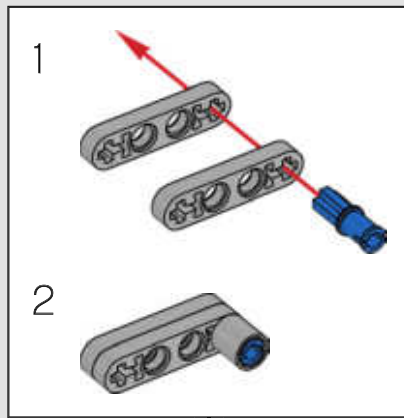


60

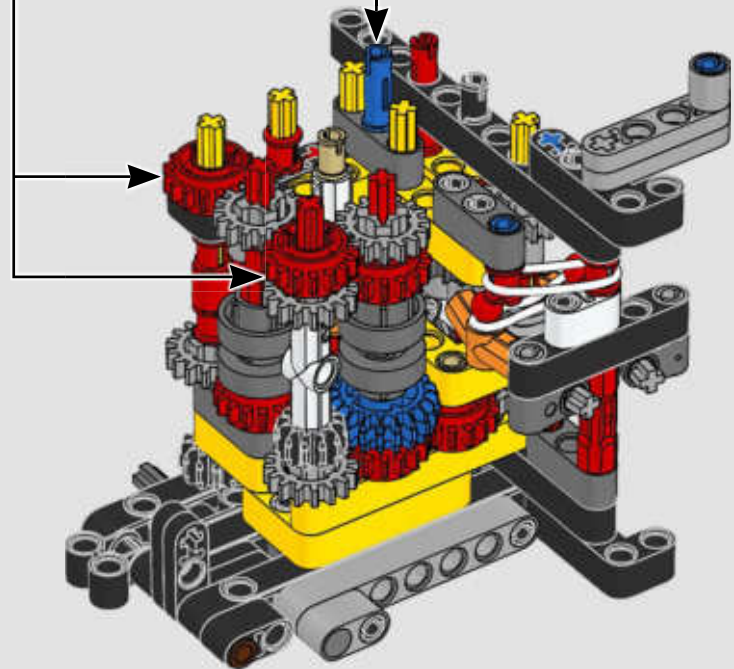


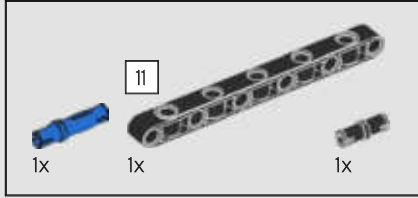
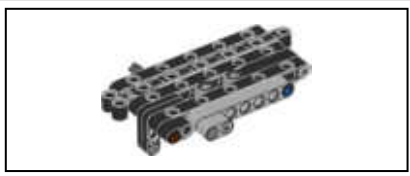


61

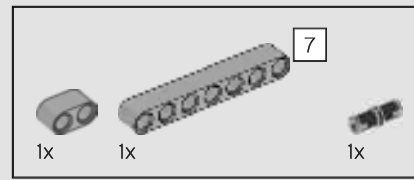
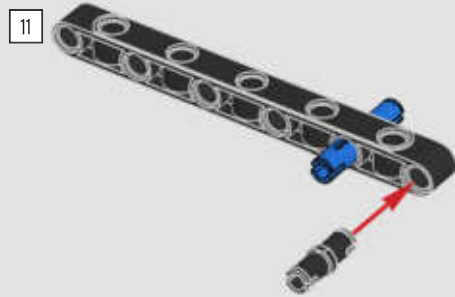


62

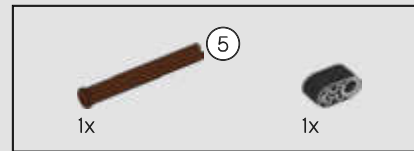
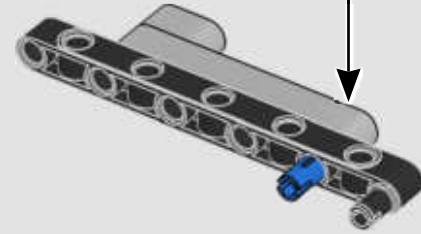
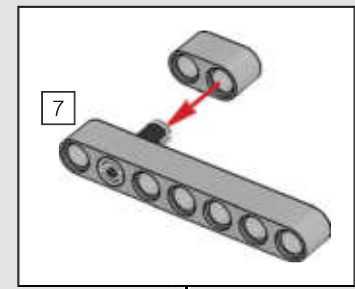




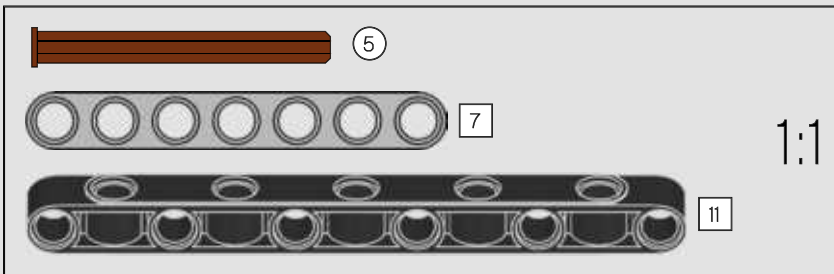
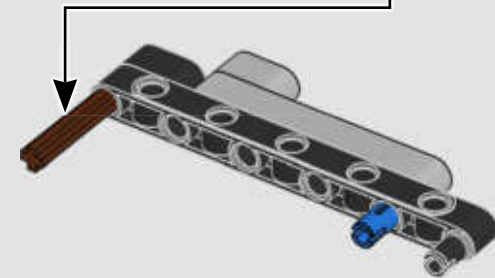
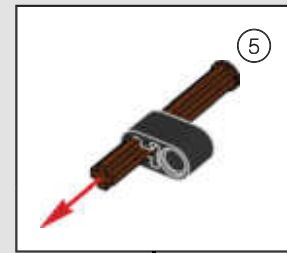
63



64

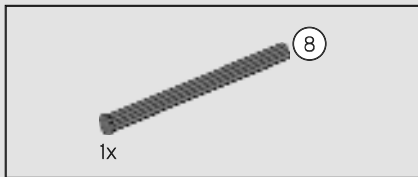
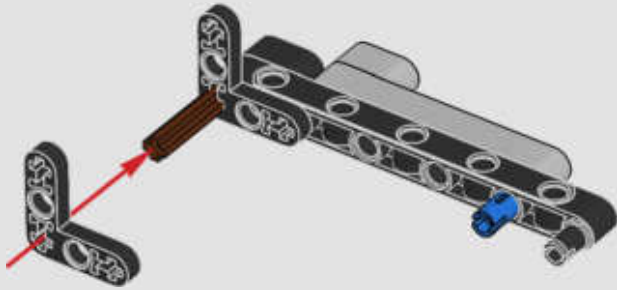


65

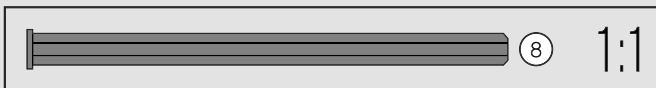
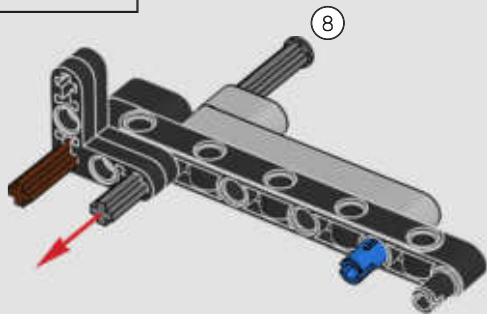




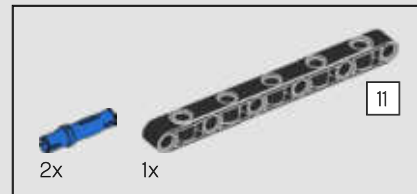
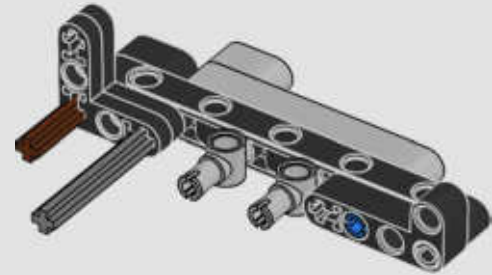
66



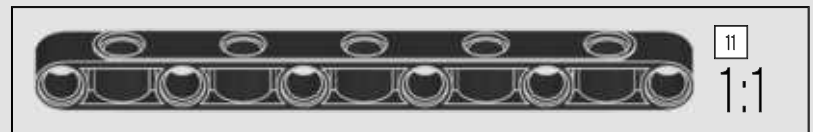
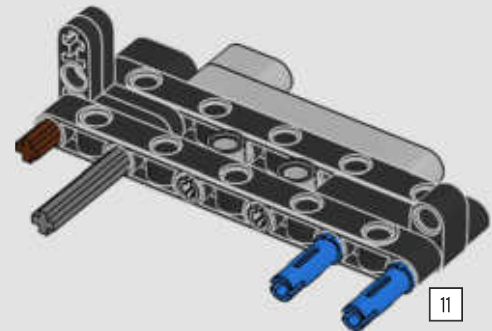
67

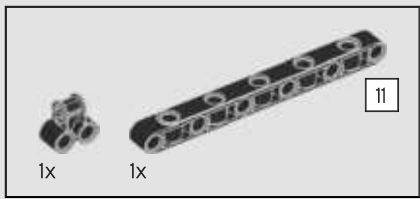


68

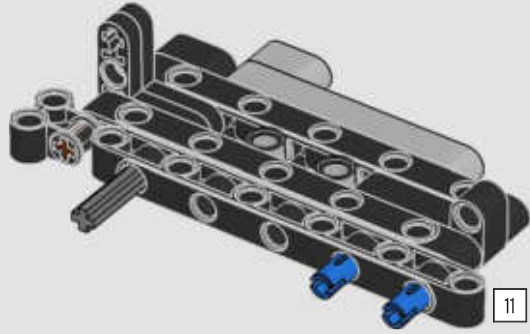


69

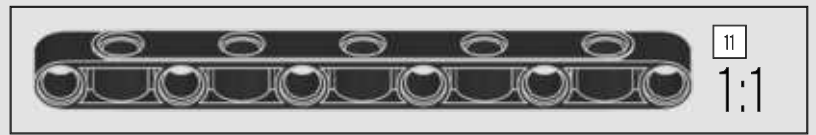
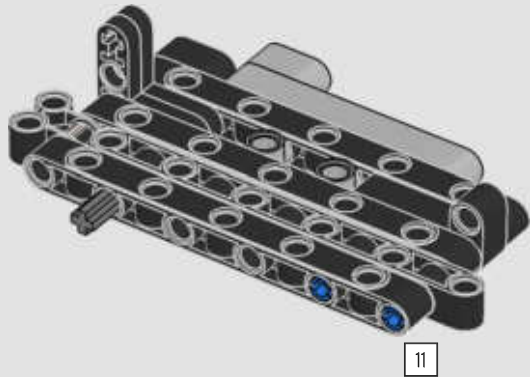




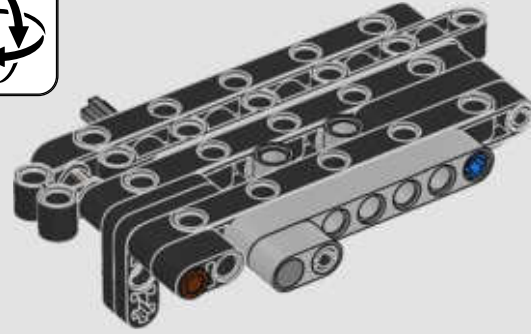
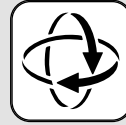
70



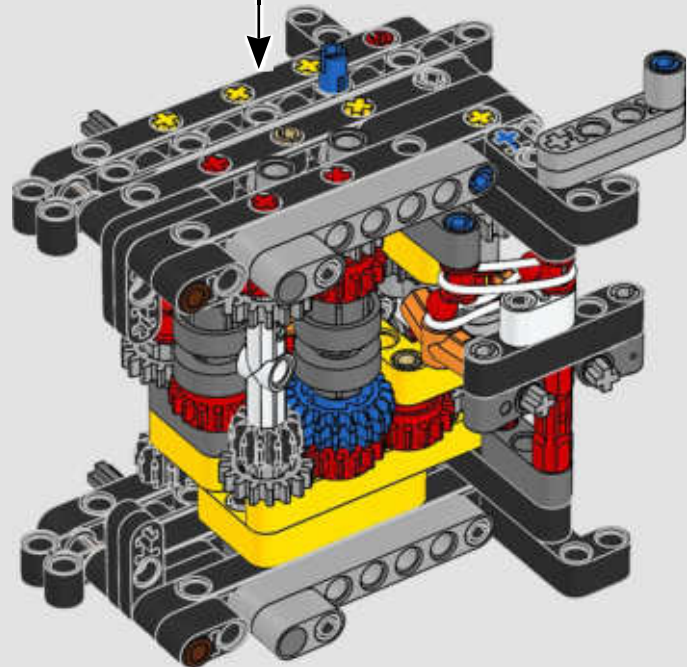
71

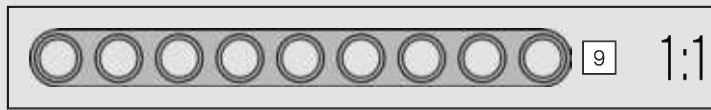
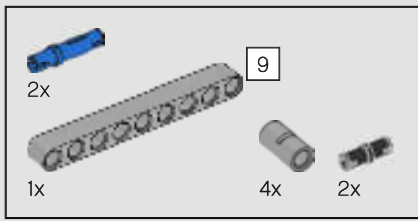


72

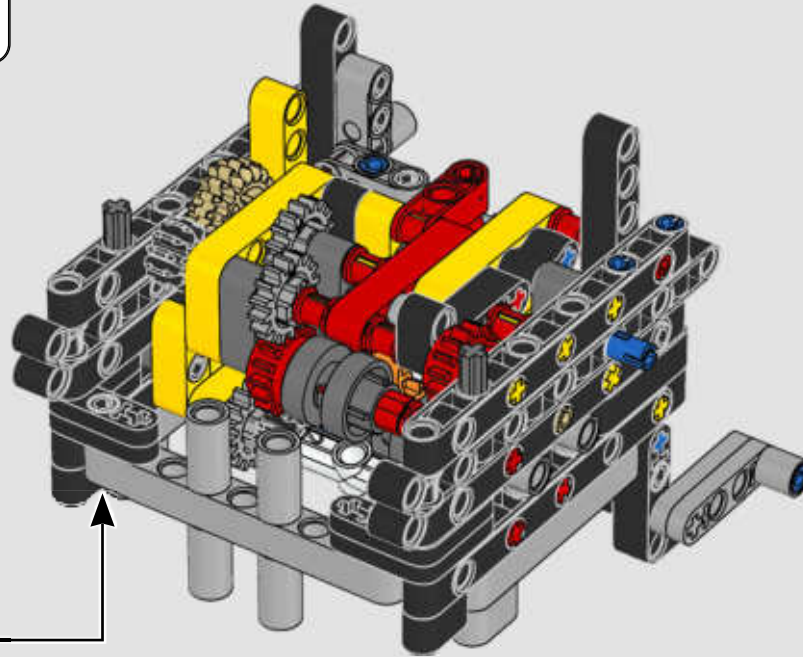
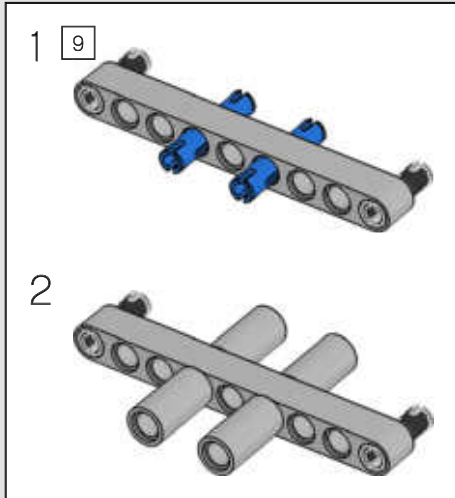


73



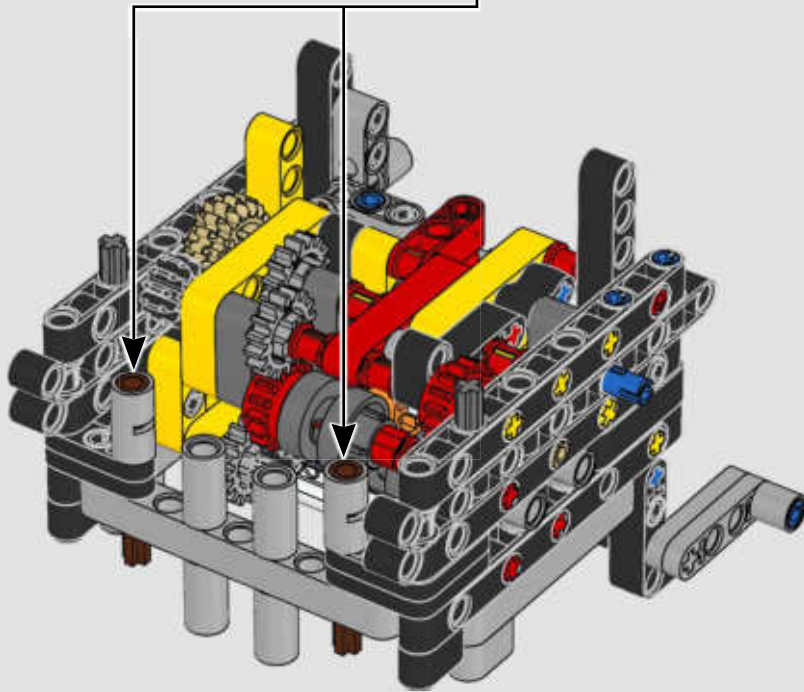
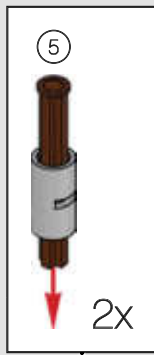


74

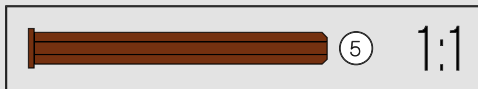
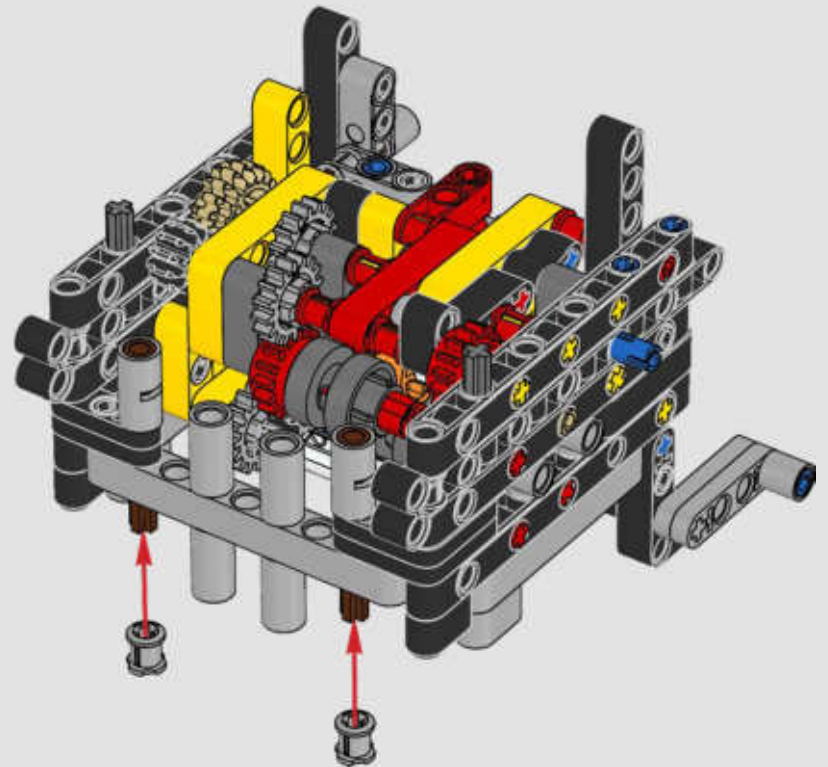


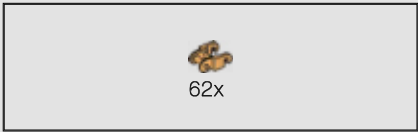


75

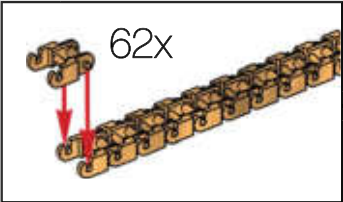
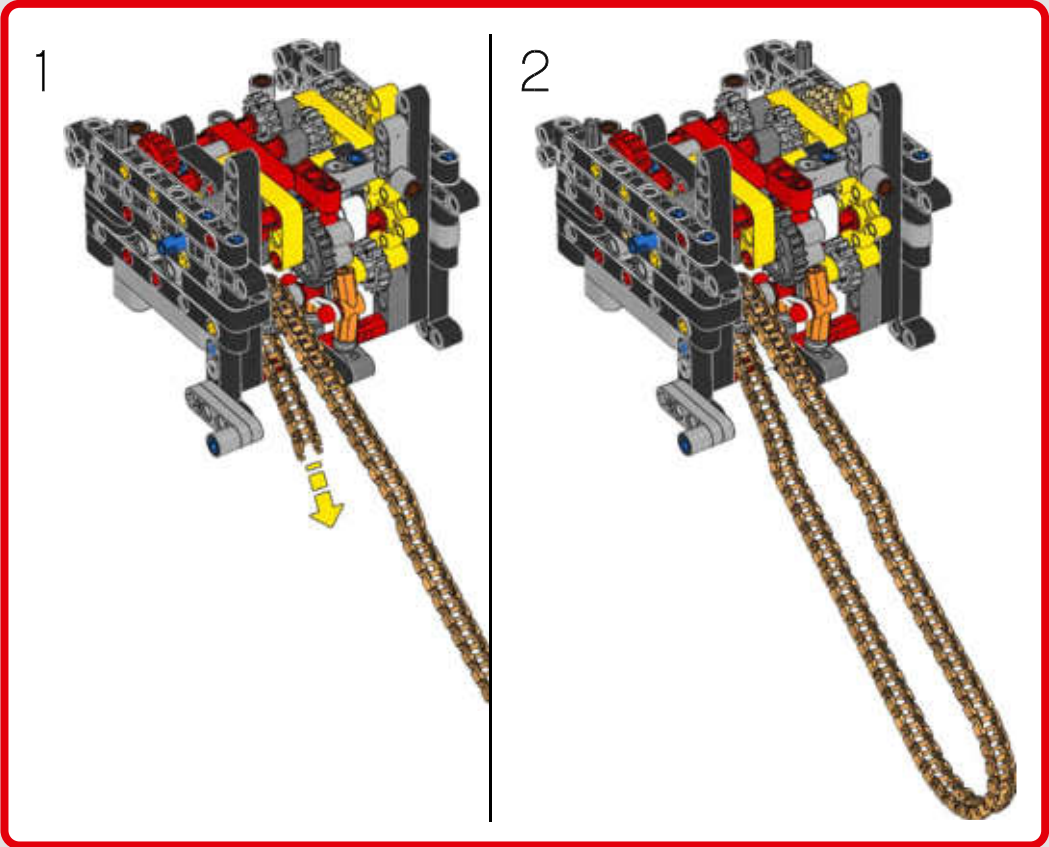
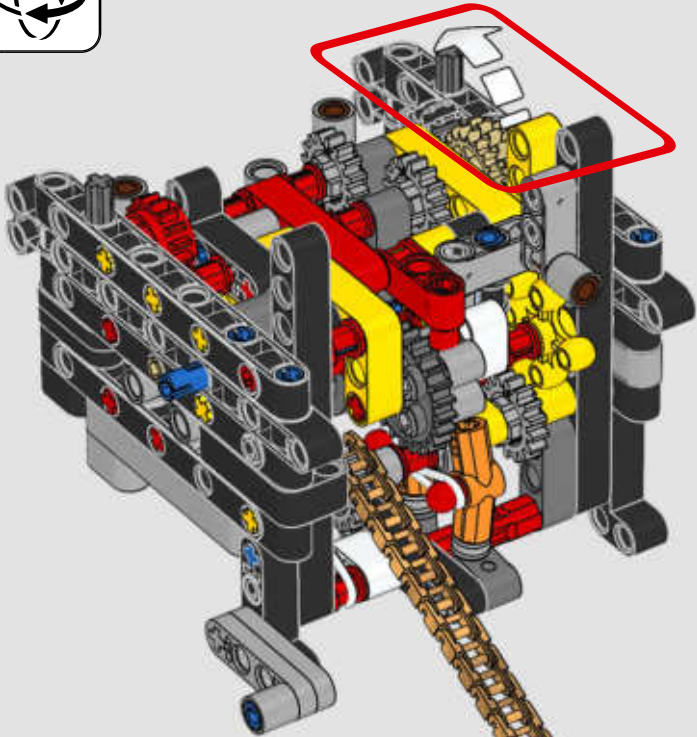


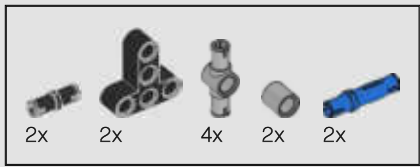
76



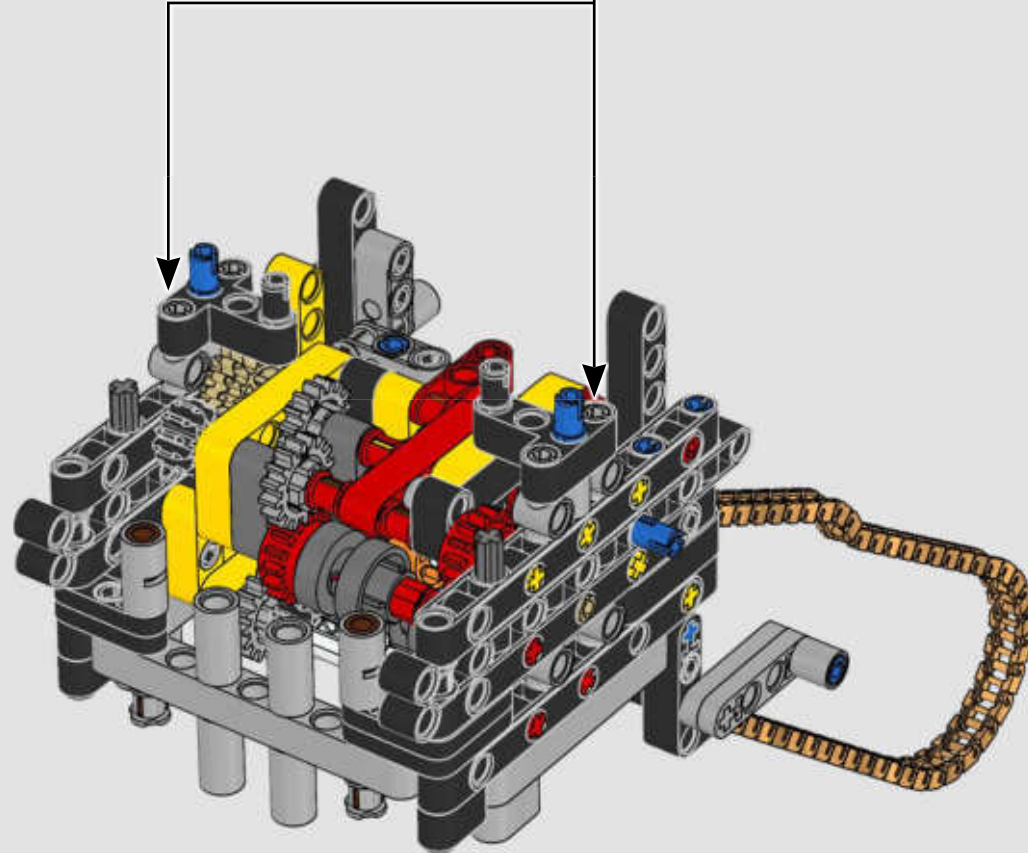
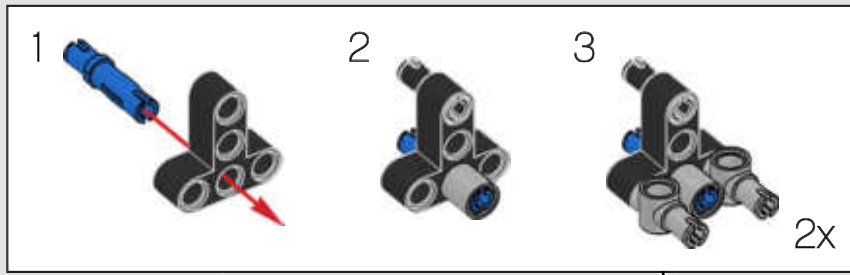


77





78

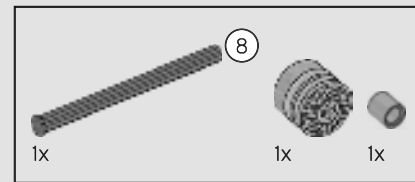




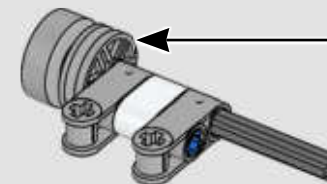
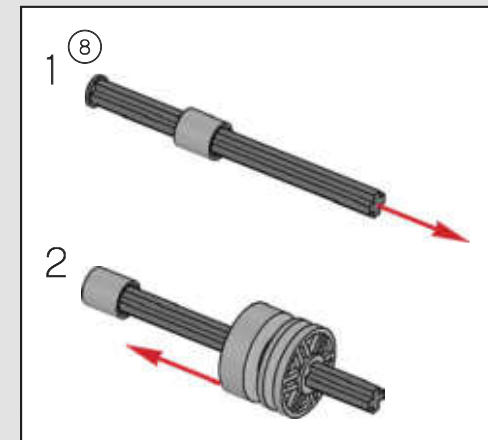
79



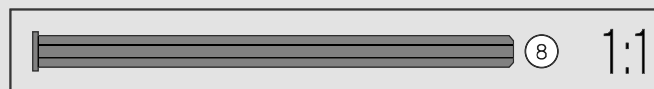
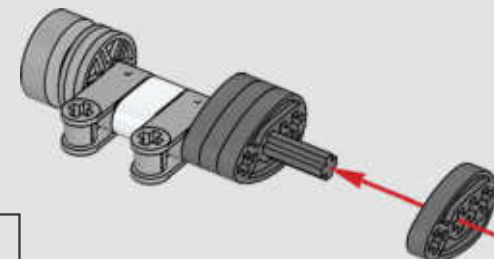
80



81

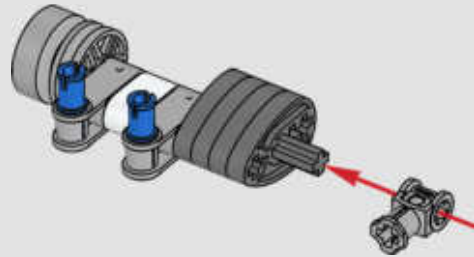


82

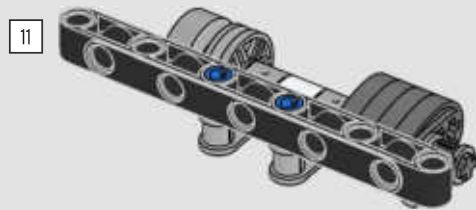




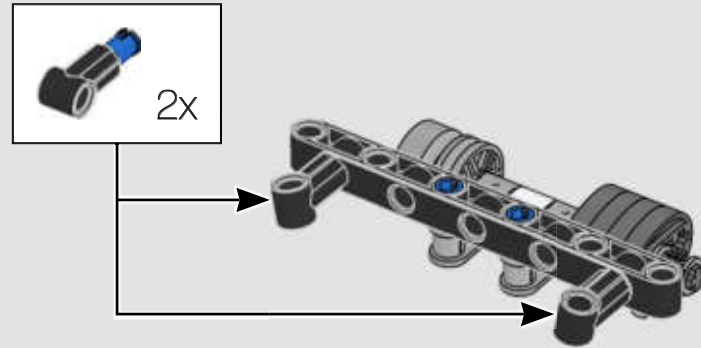
83



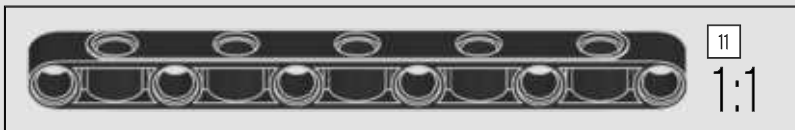
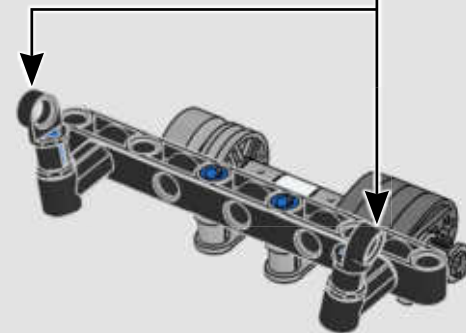
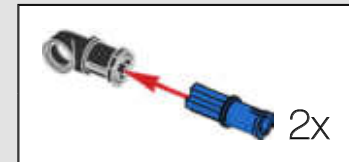
84



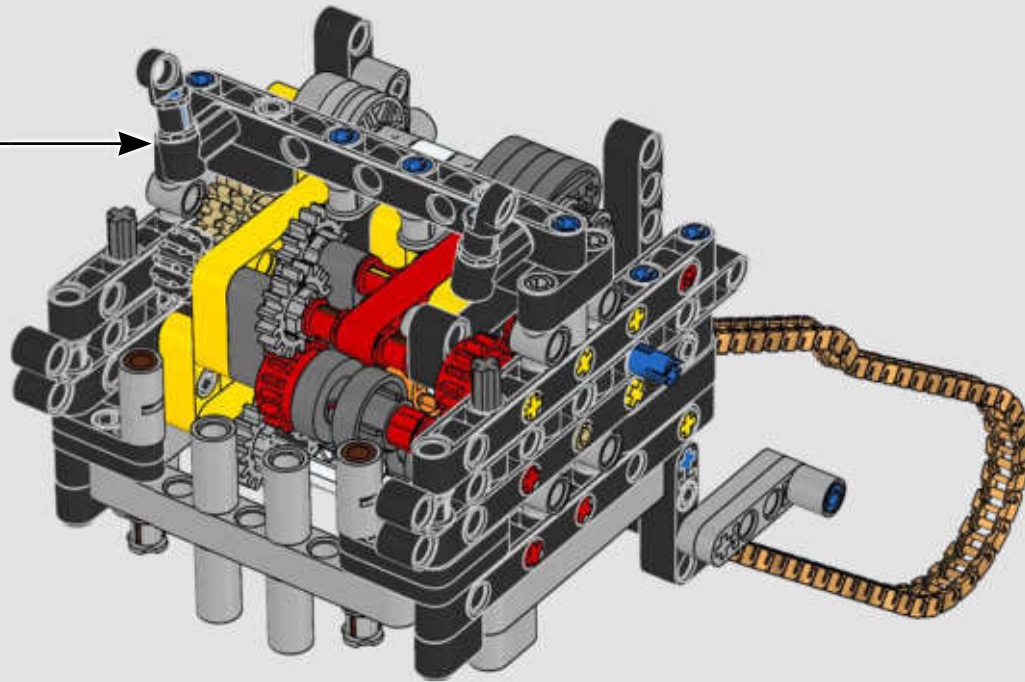
85

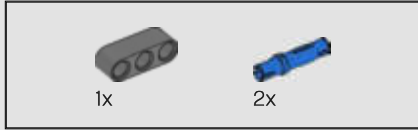
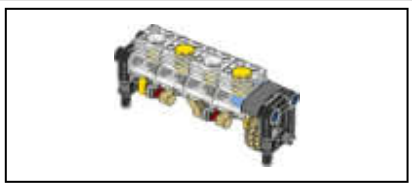


86

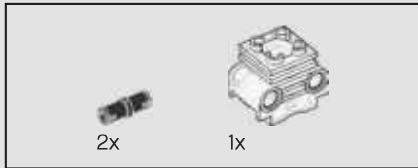
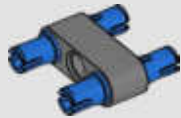


87

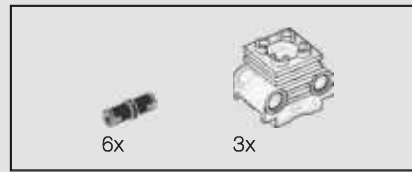
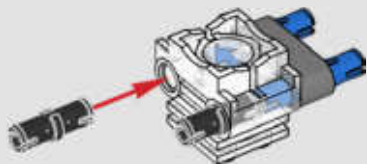




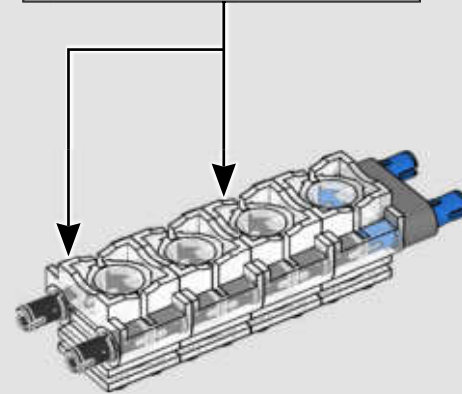
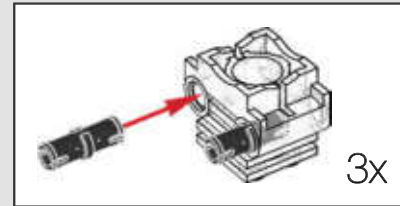
88

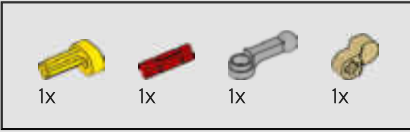


89

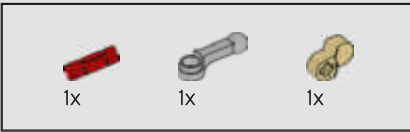
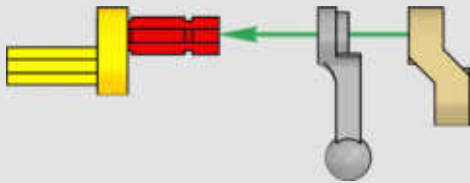


90

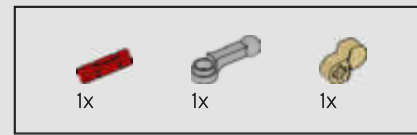
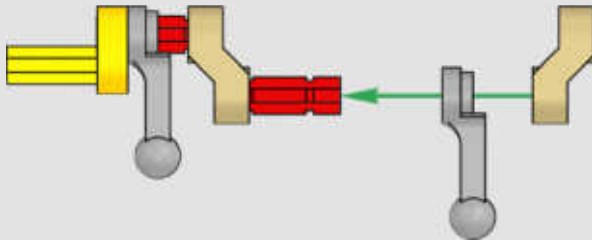




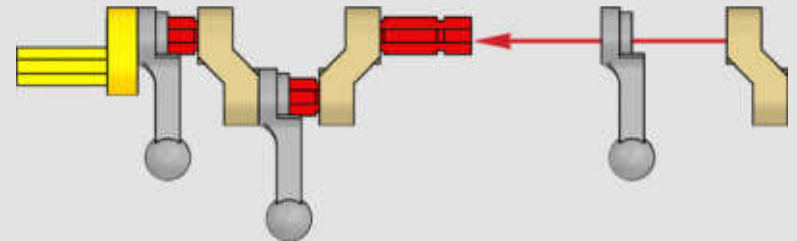
91



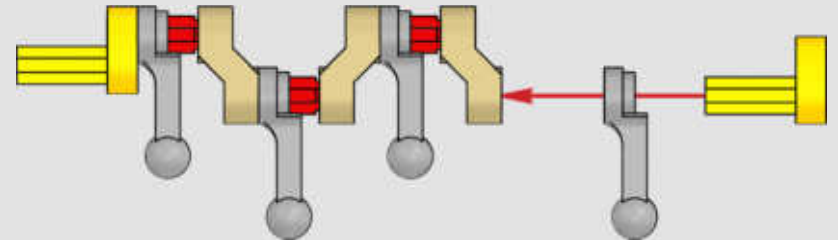
92



93



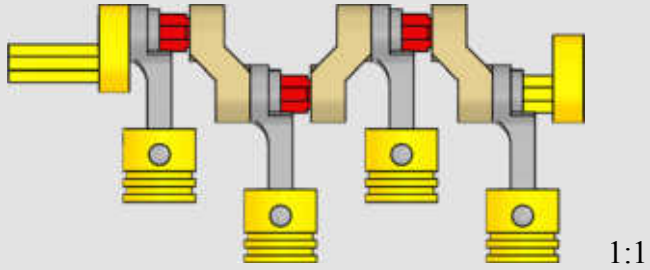
94



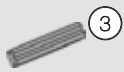


4x

95



1:1



1x

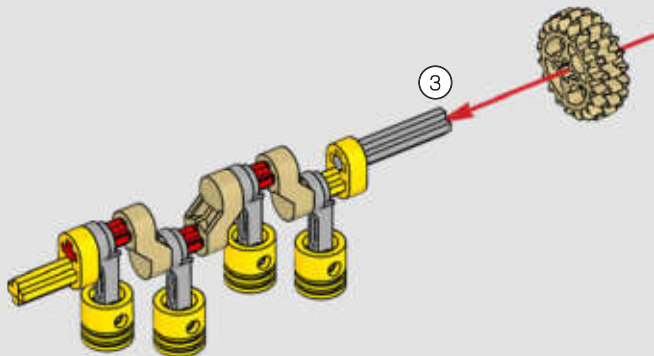


1x



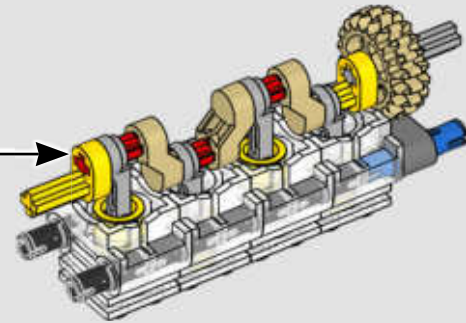
1:1

96



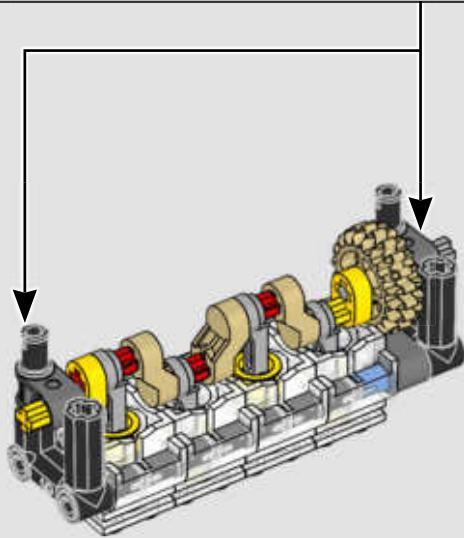
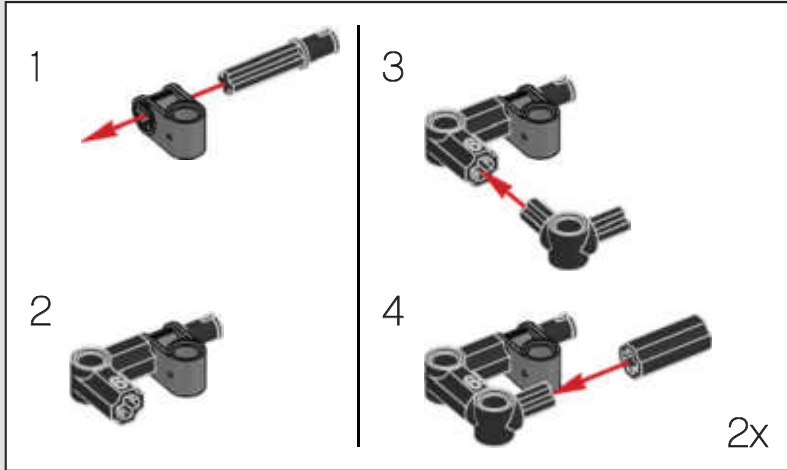
3

97

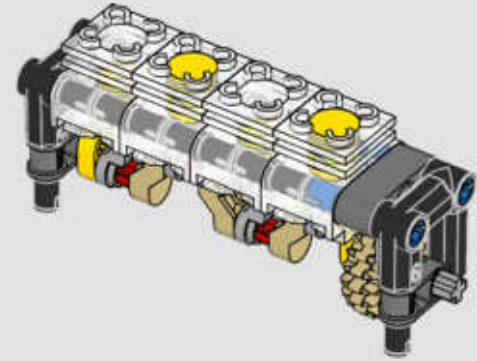
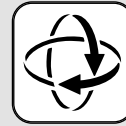




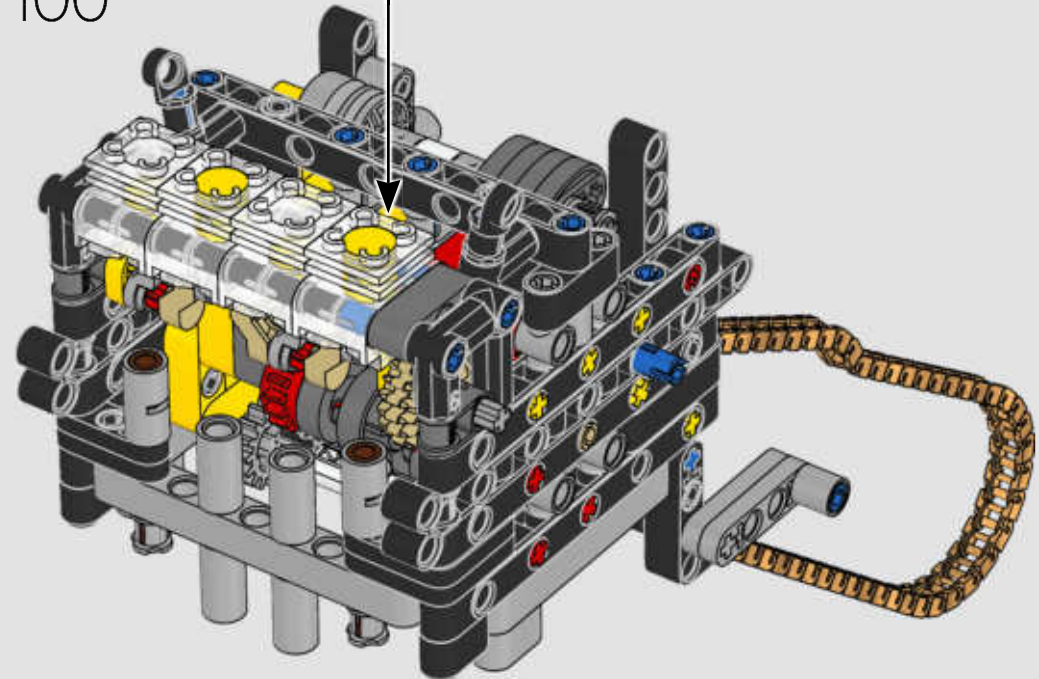
98

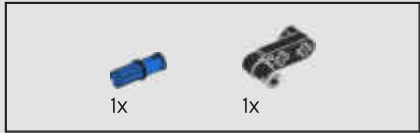


99

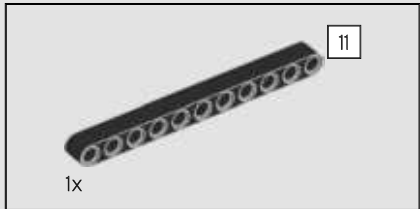


100

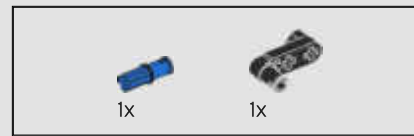
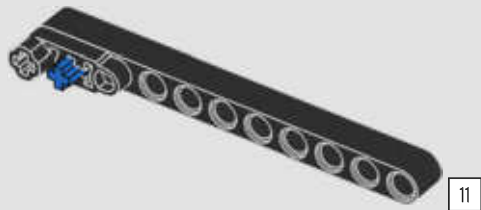




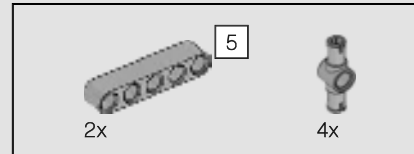
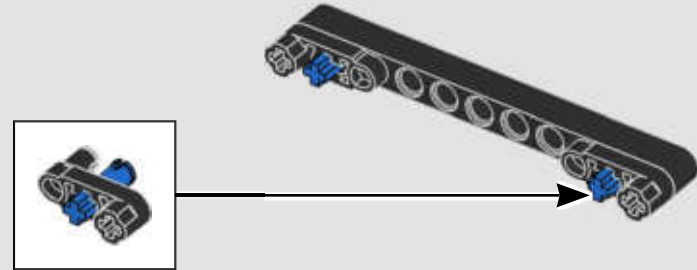
101



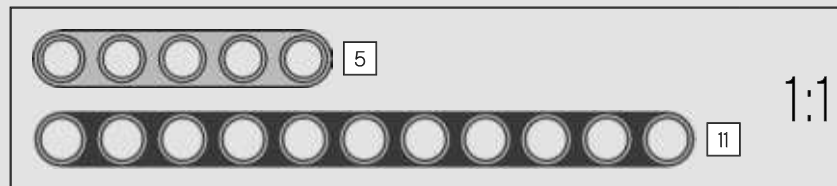
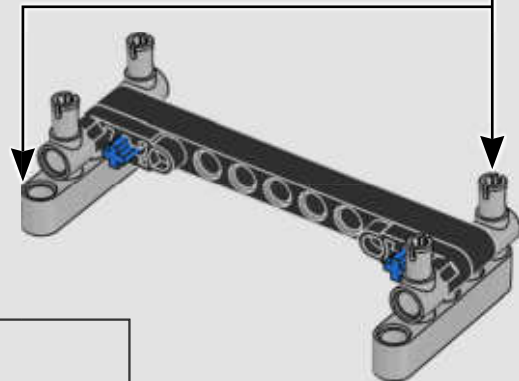
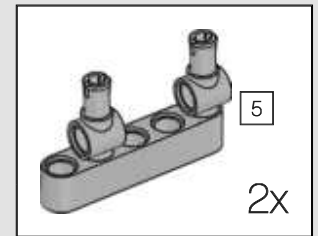
102

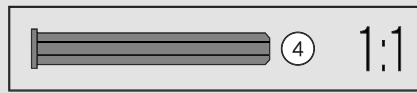
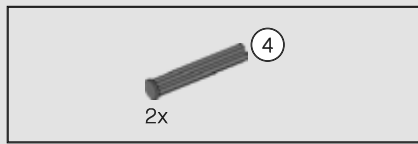


103

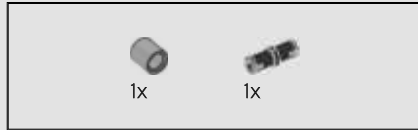
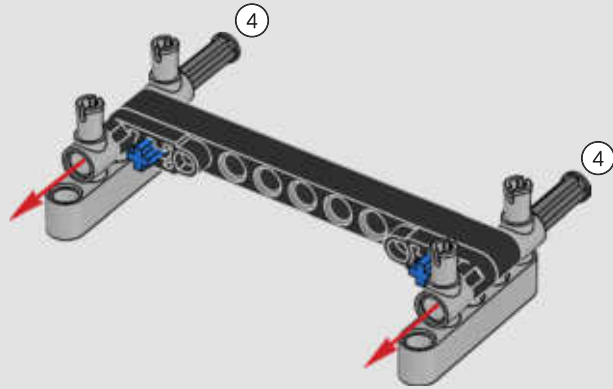


104

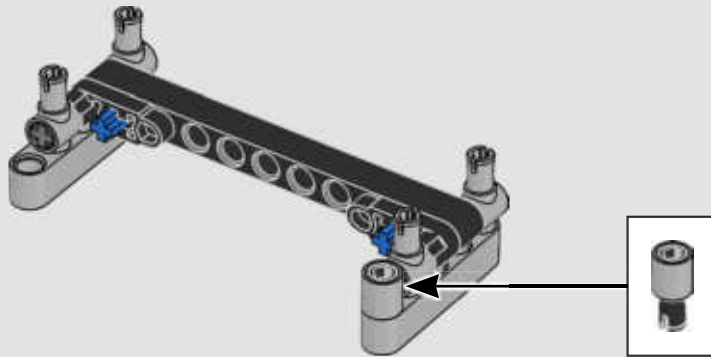




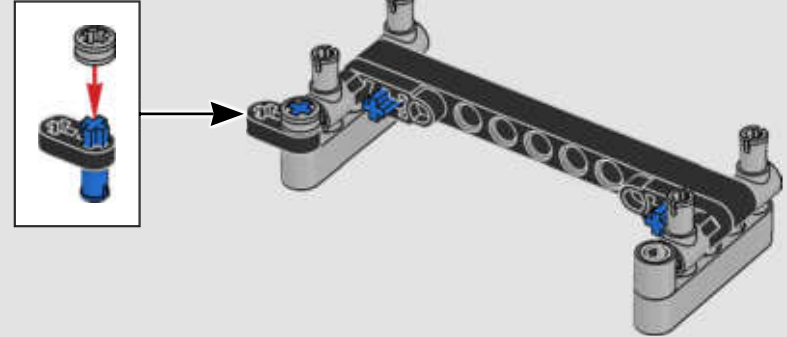
105



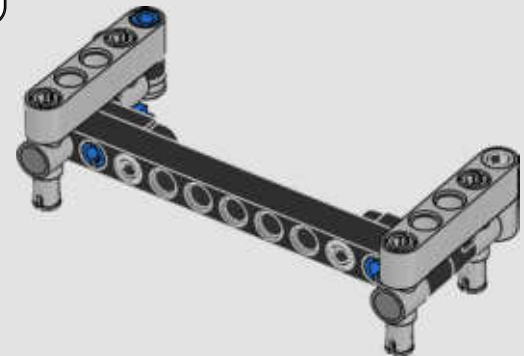
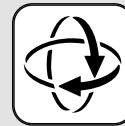
106



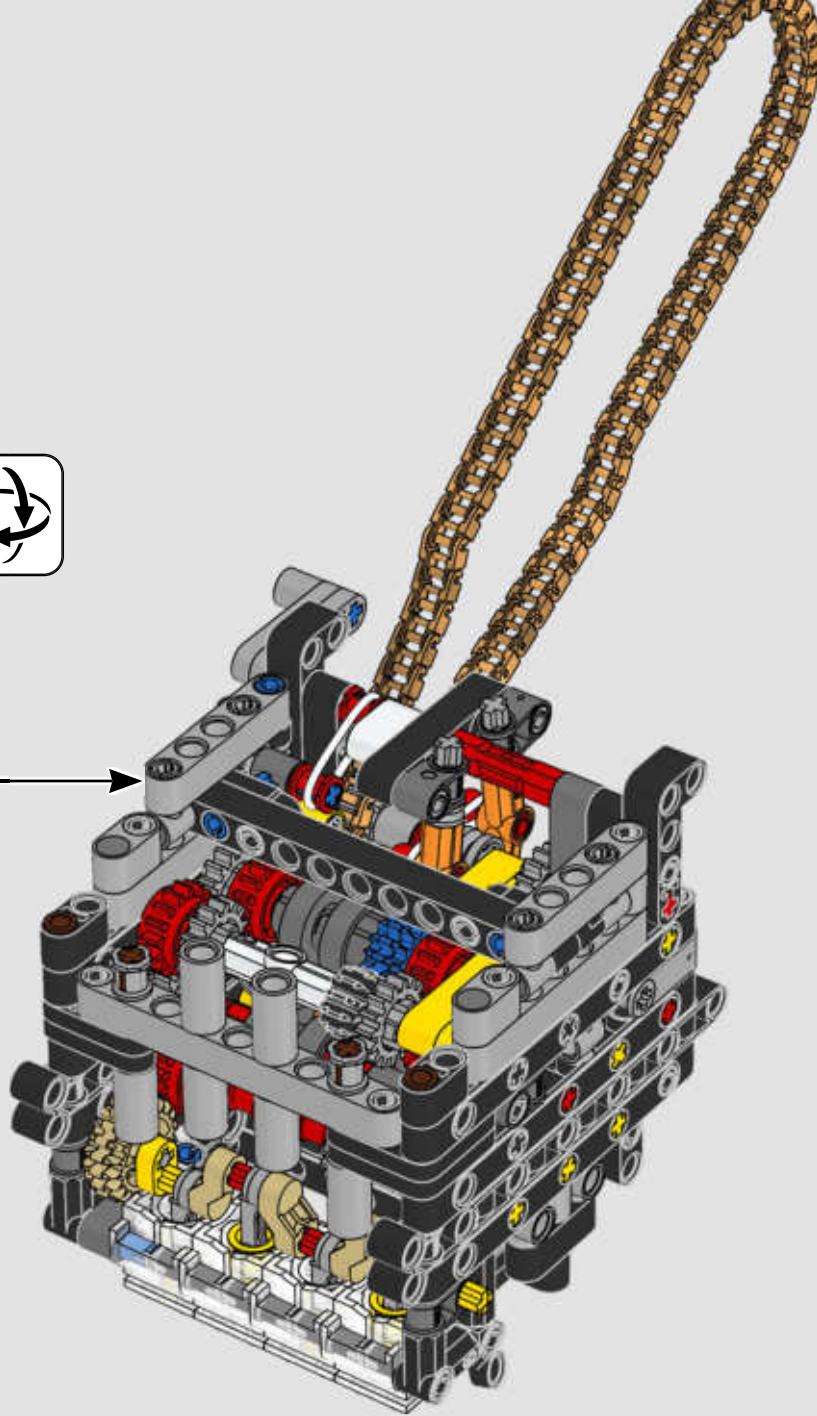
107

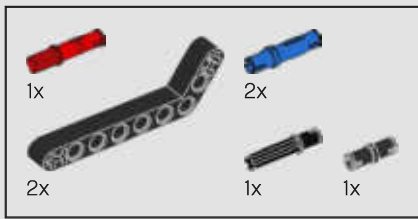


108

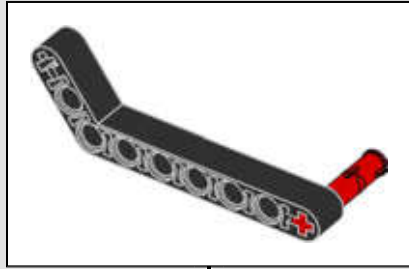


109

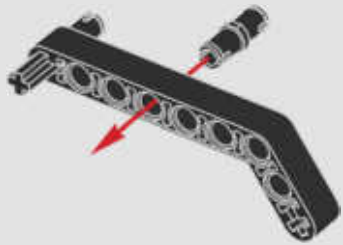




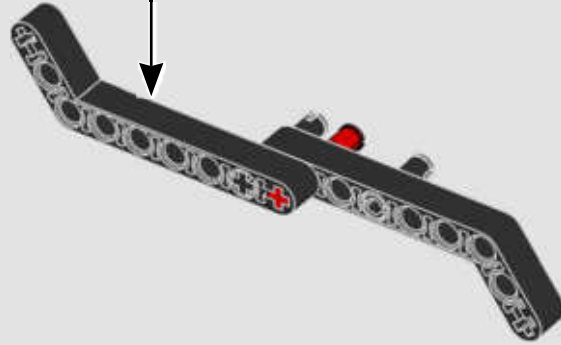
110



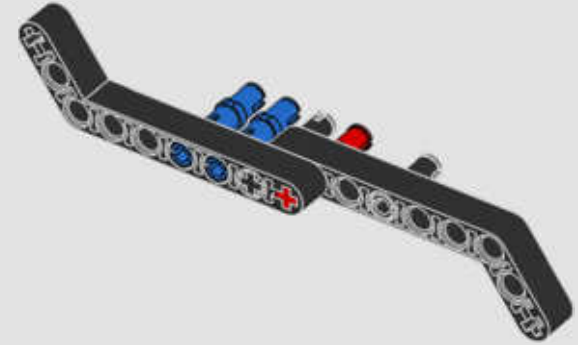
1

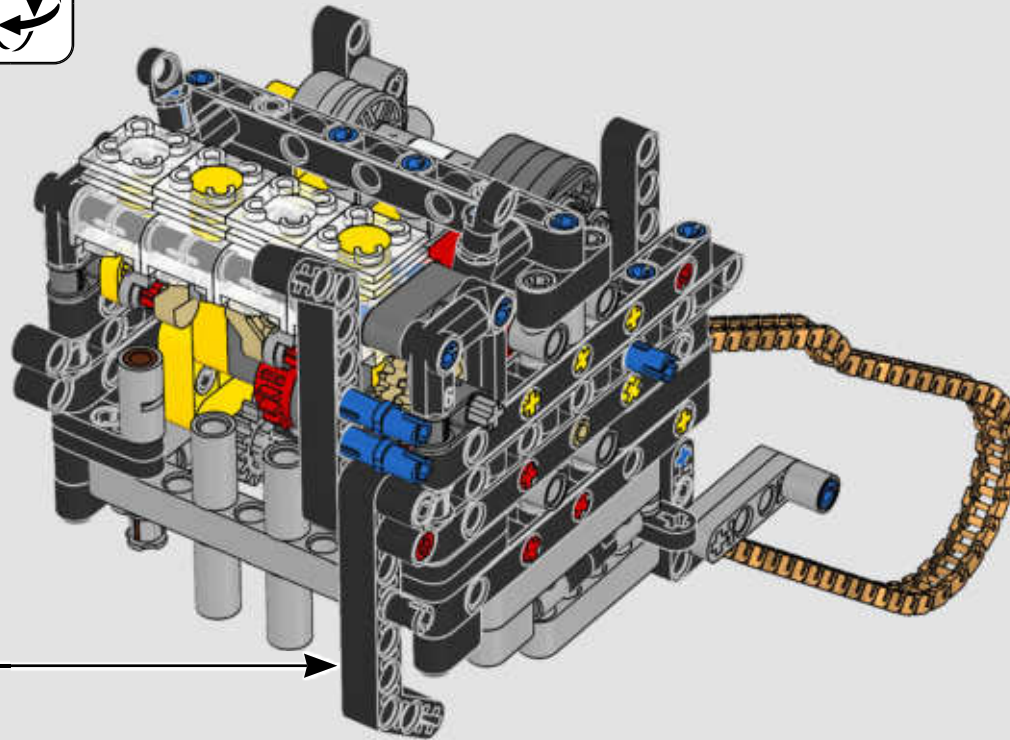


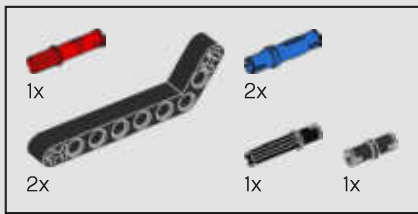
2



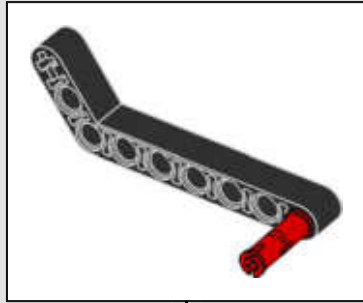
3



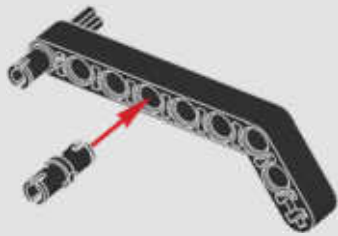




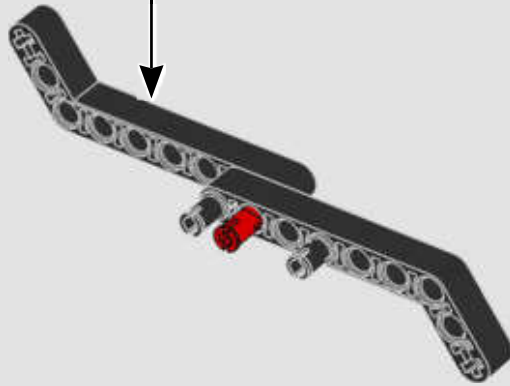
111



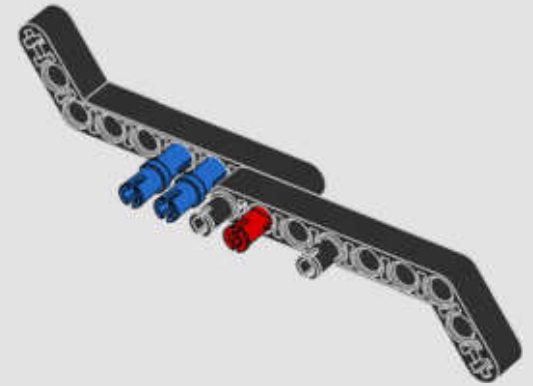
1

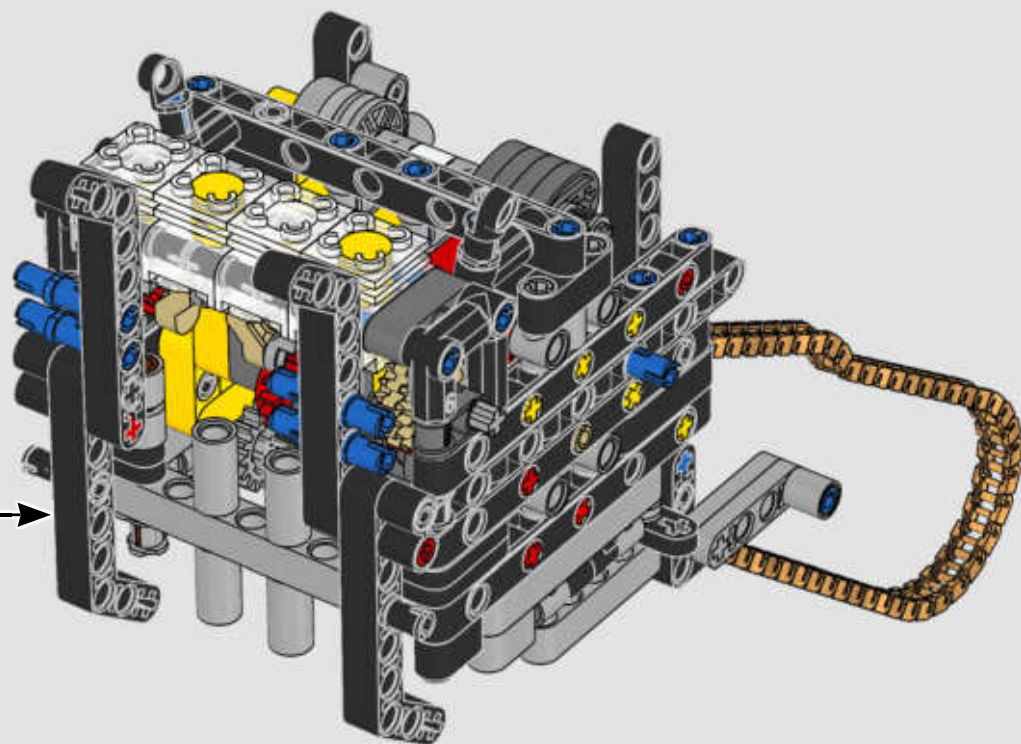


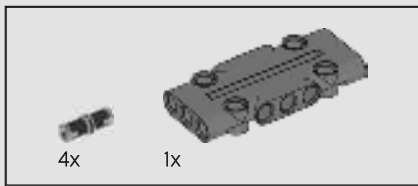
2



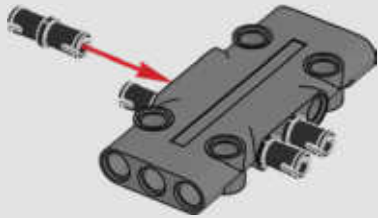
3



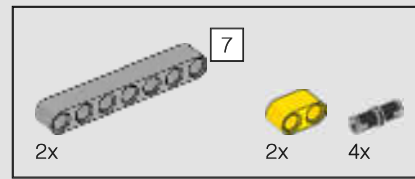
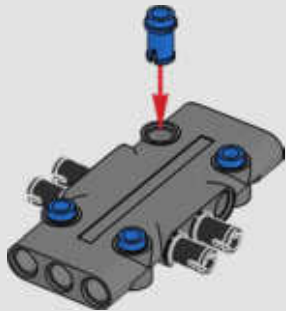




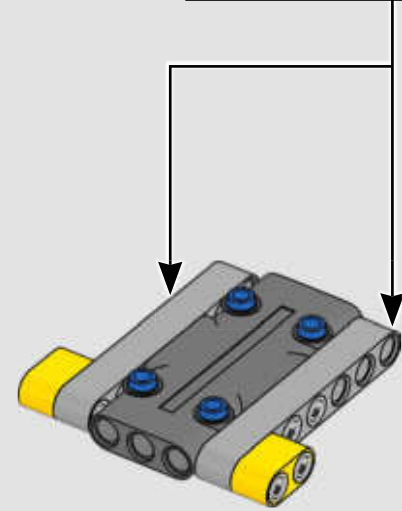
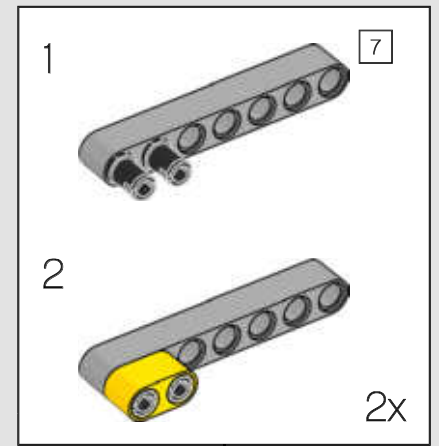
112



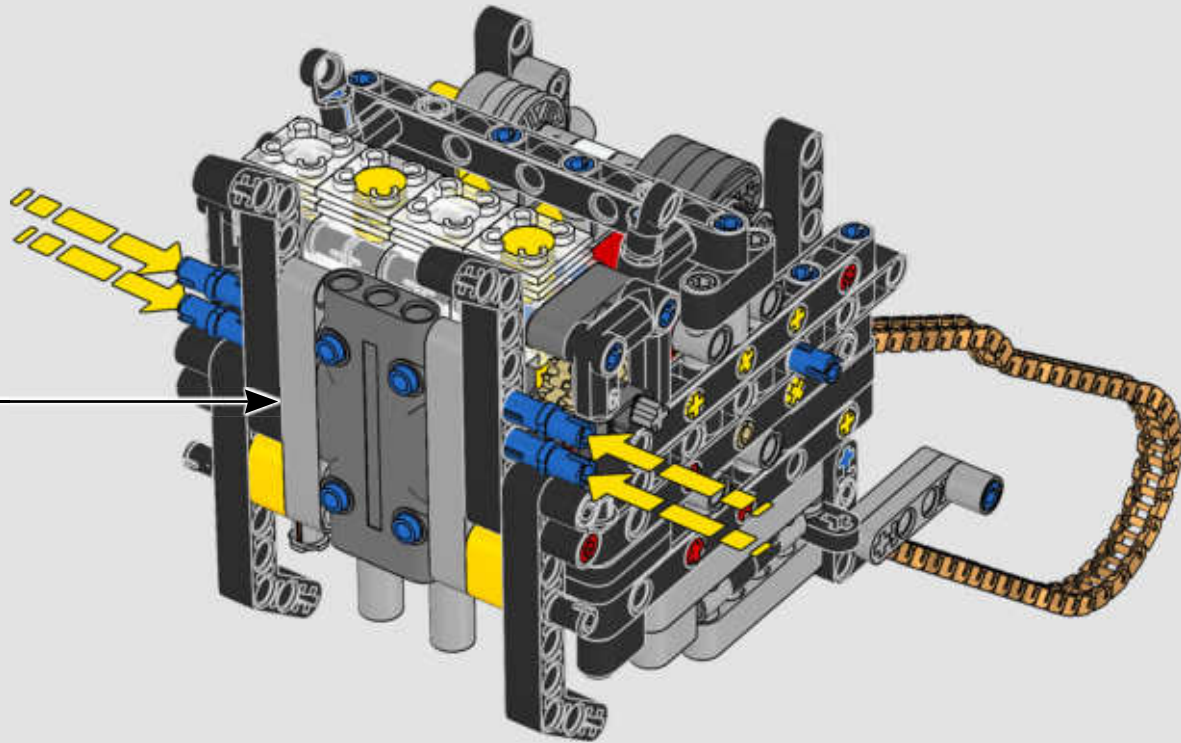
113

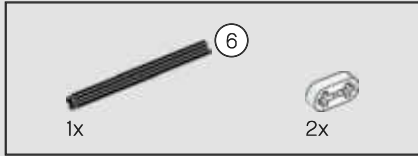


114

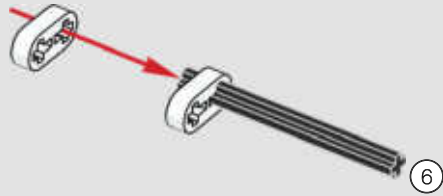


115

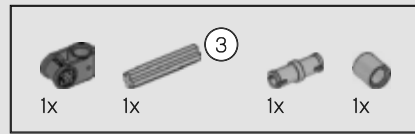
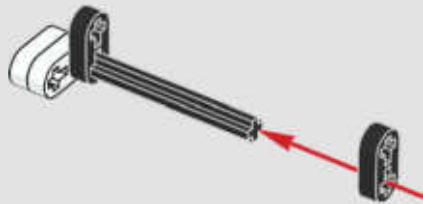




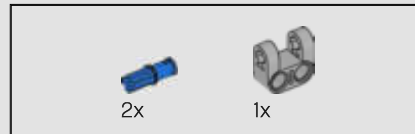
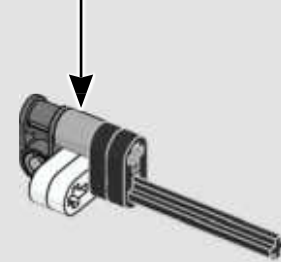
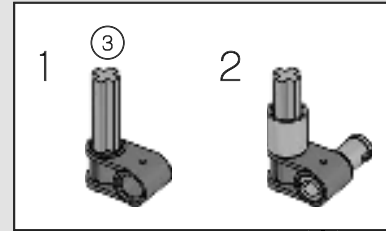
116



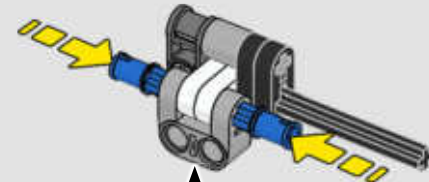
117



118



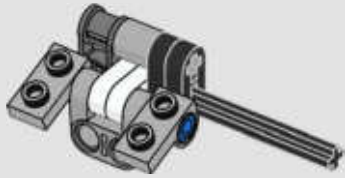
119





2x

120

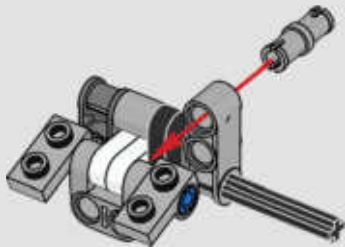


1x



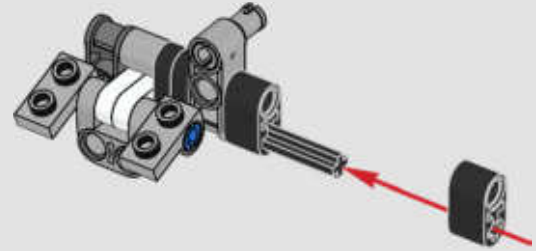
1x

121



2x

122

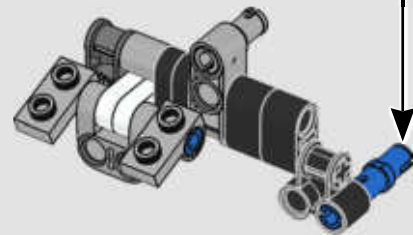


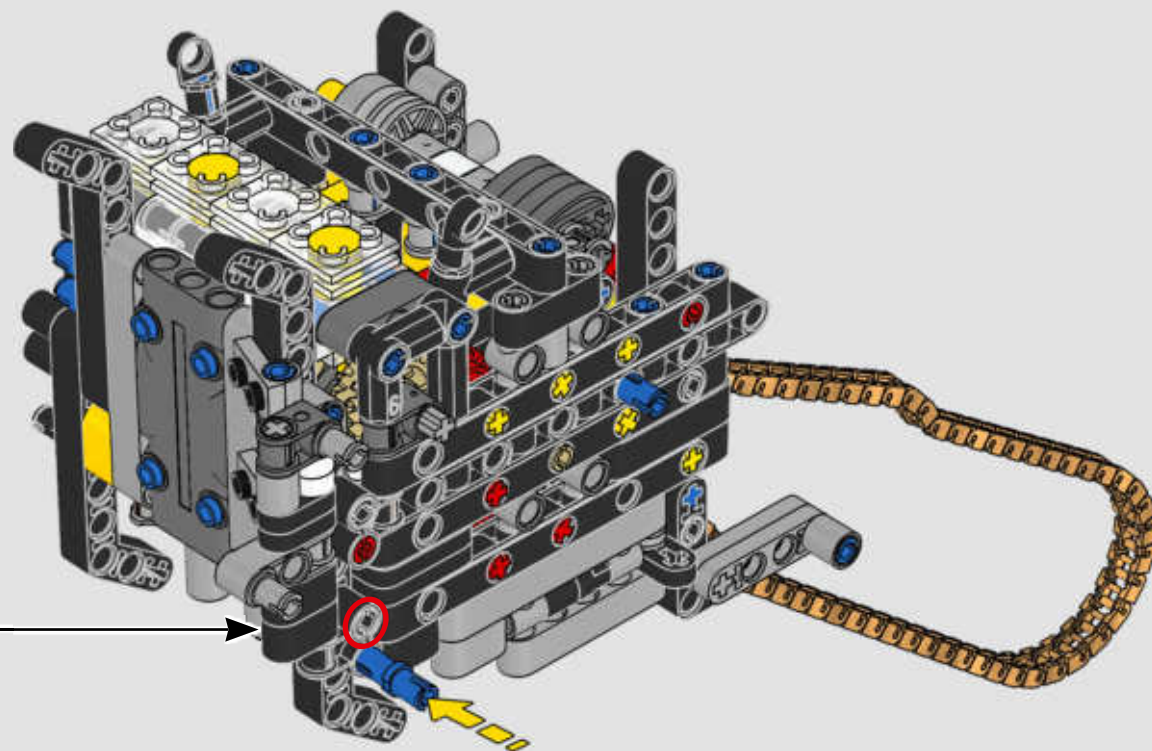
1x

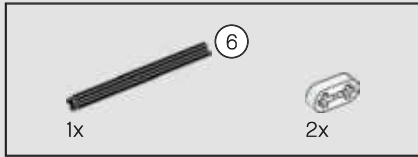


1x

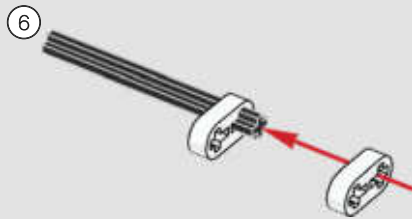
123



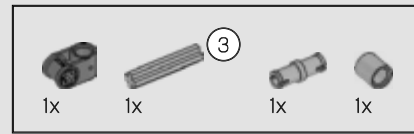
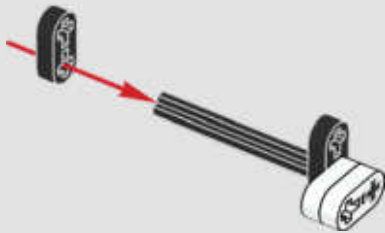




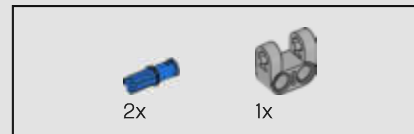
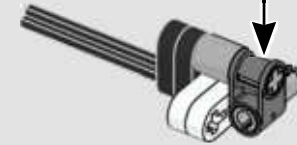
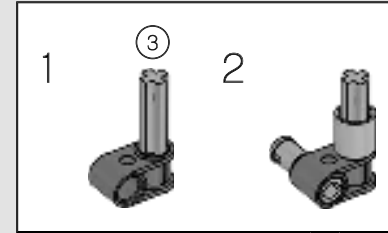
125



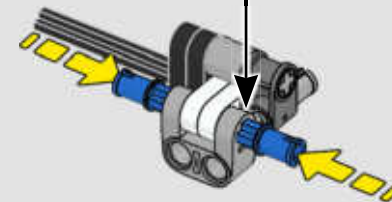
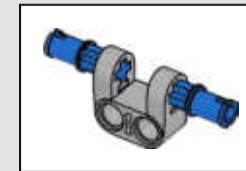
126



127

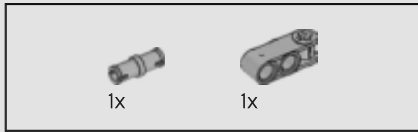
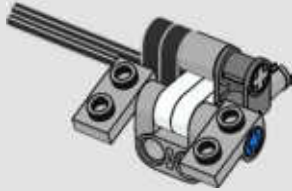


128

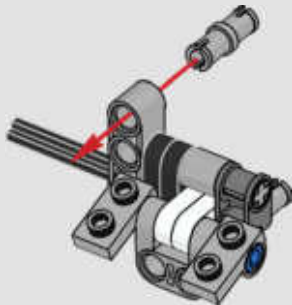




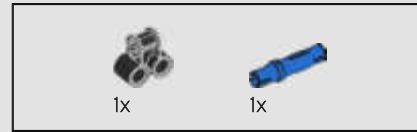
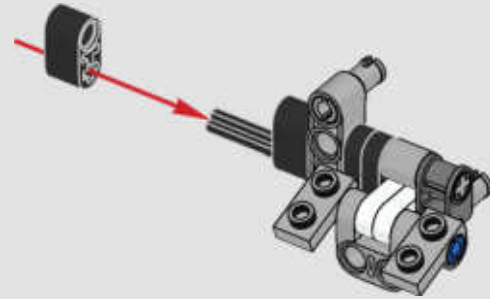
129



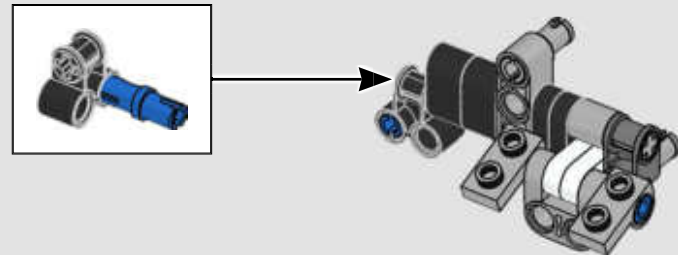
130



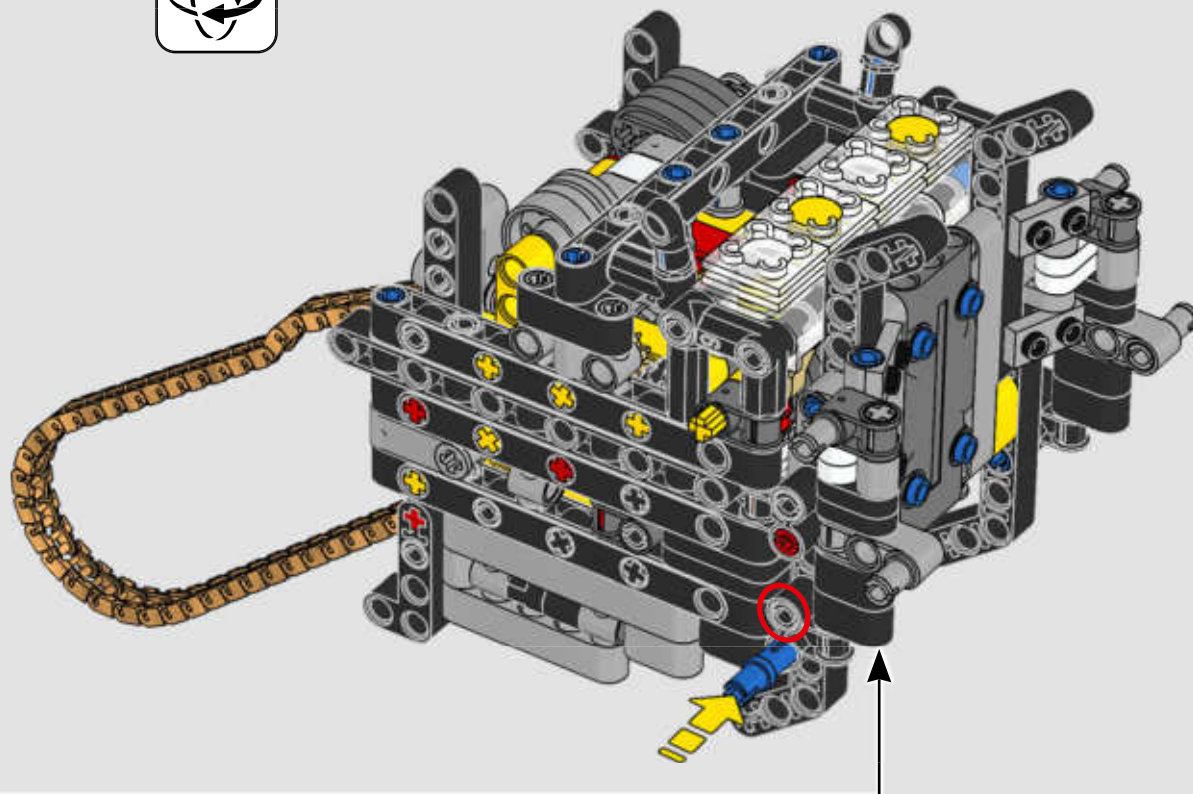
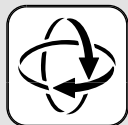
131

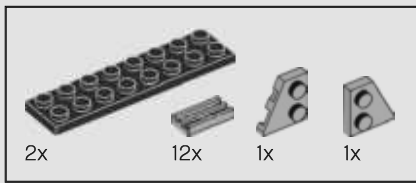


132

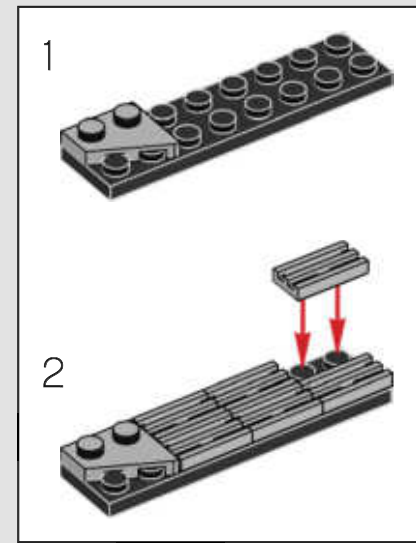
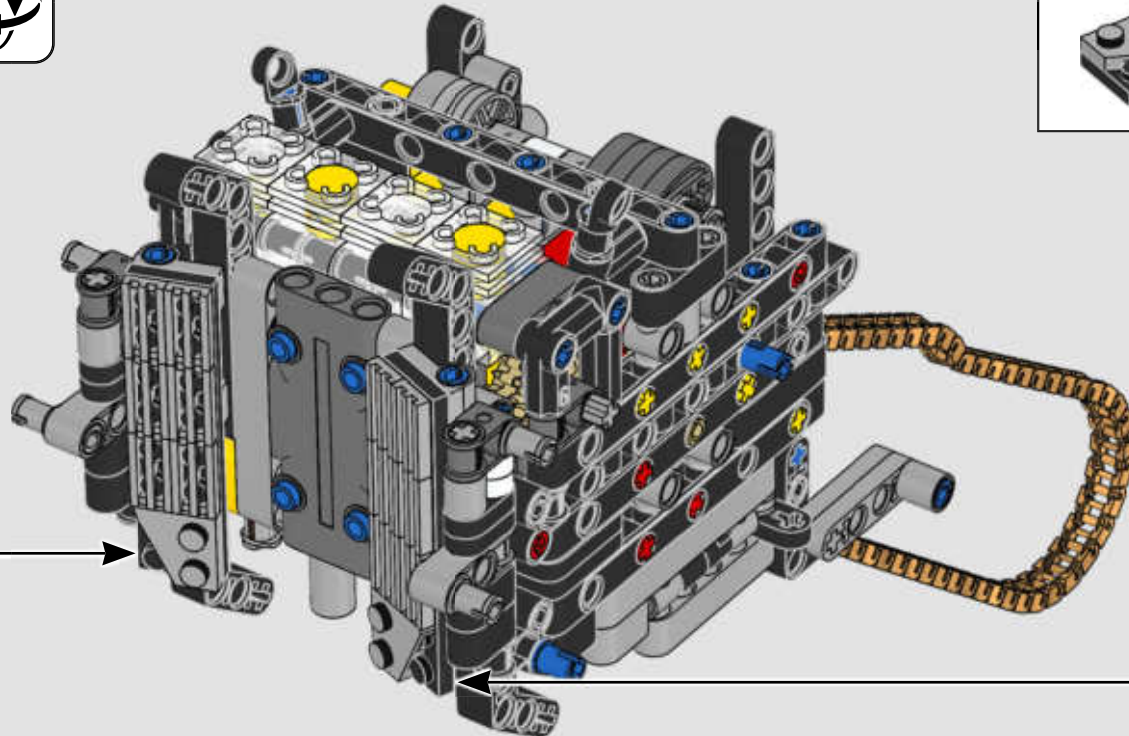
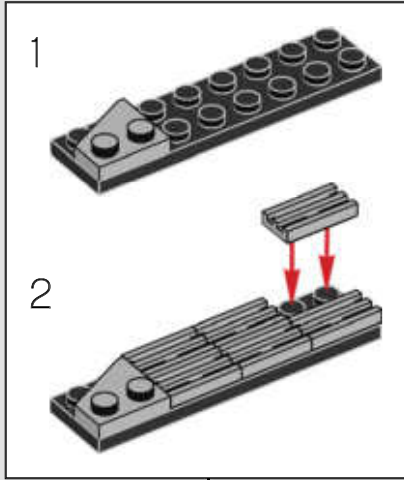


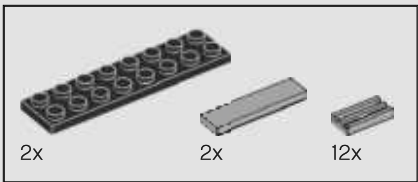
133



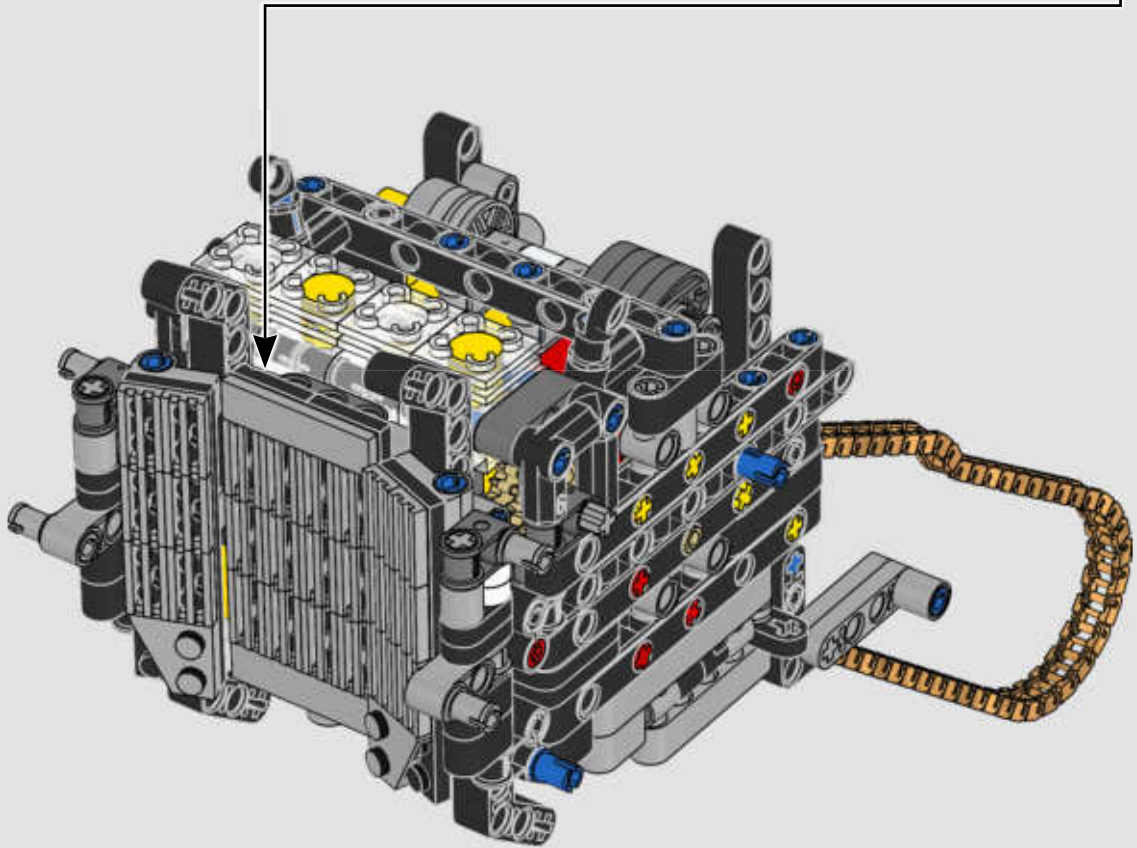
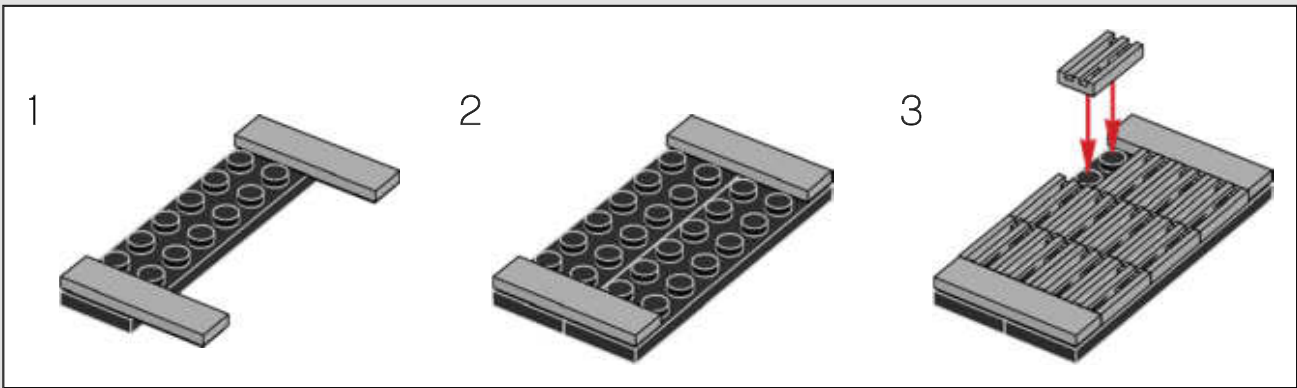


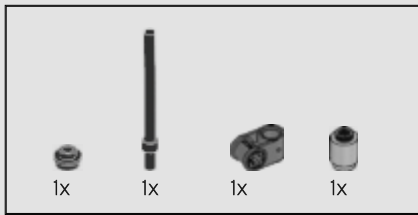
134



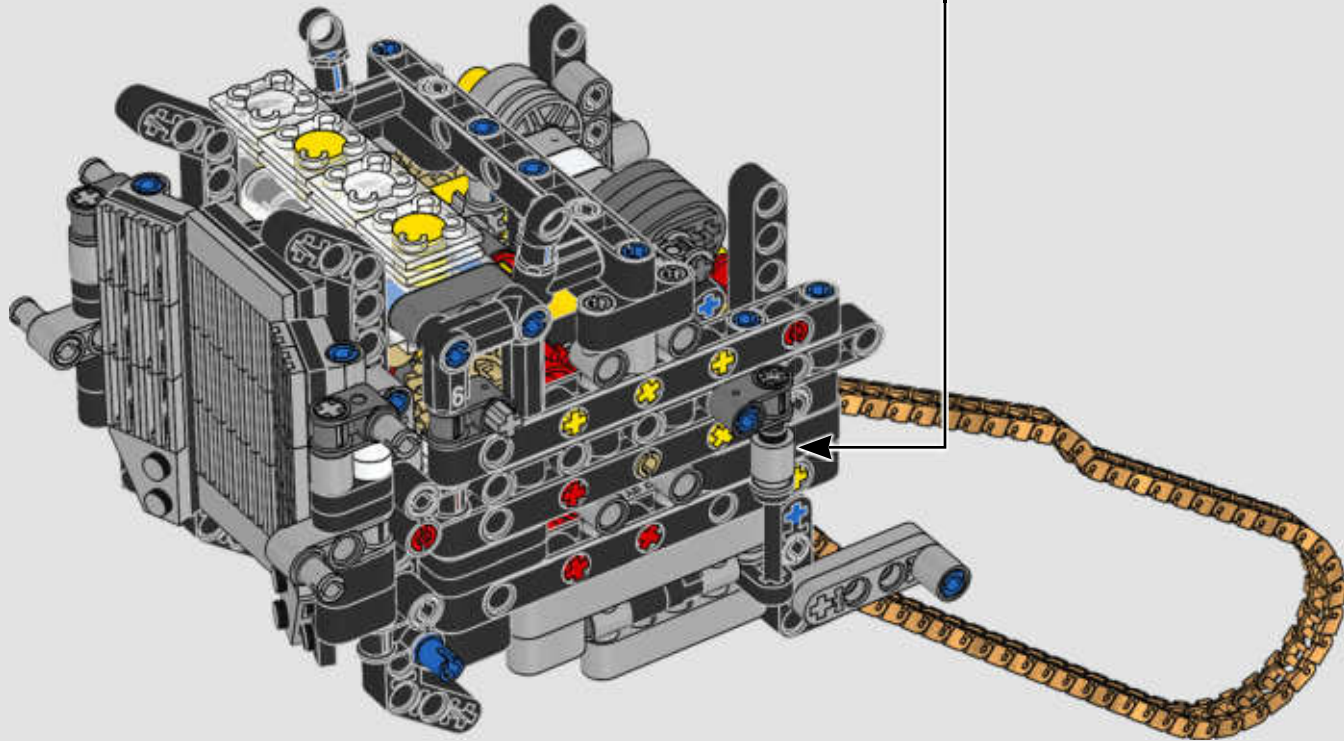
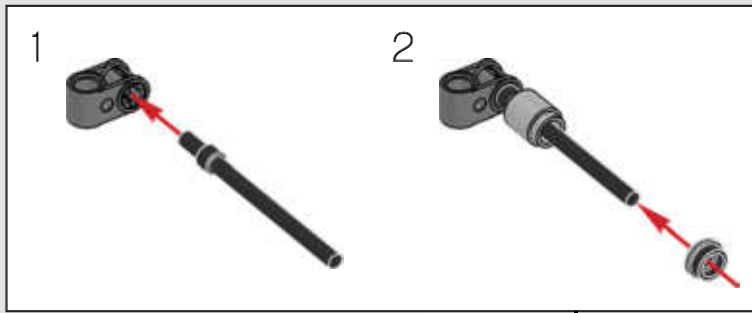


135



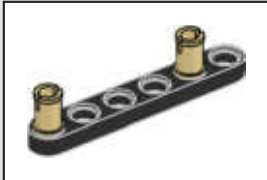
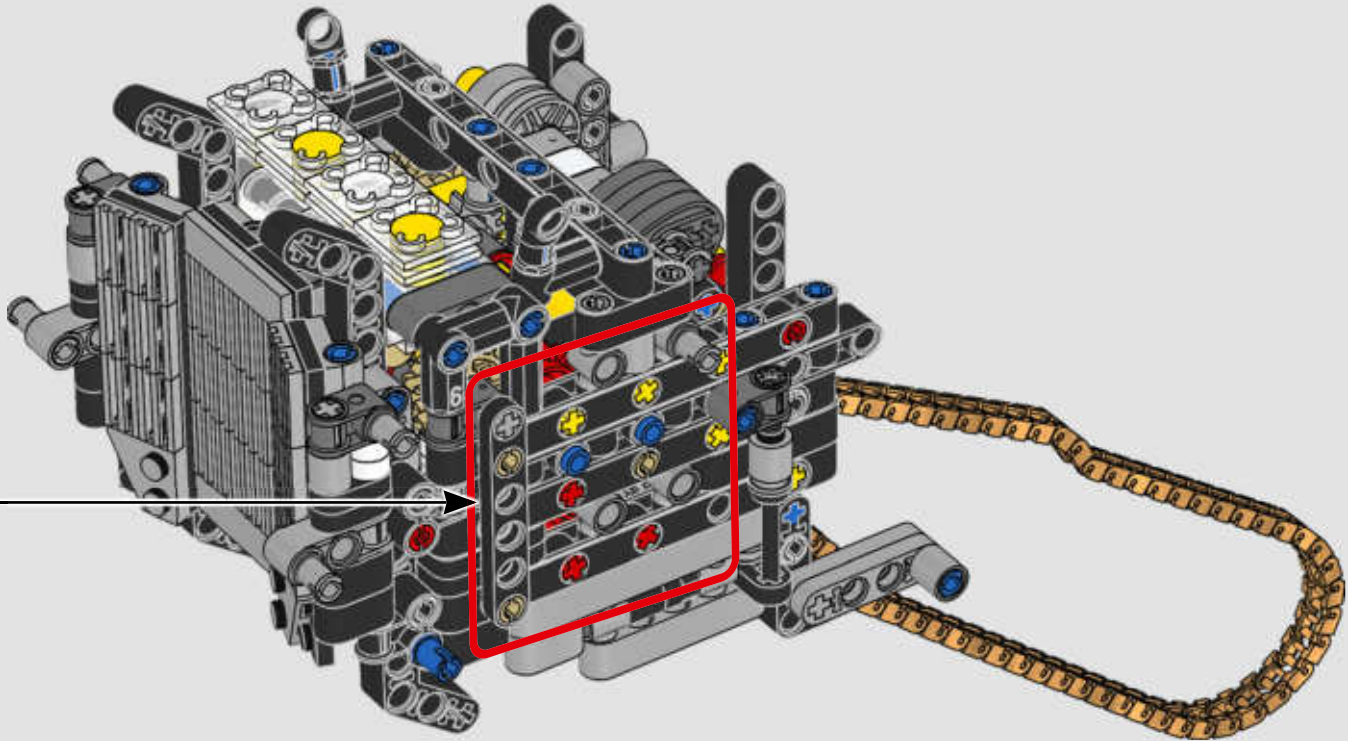


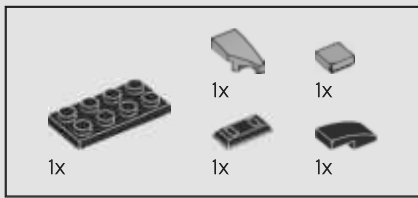
136



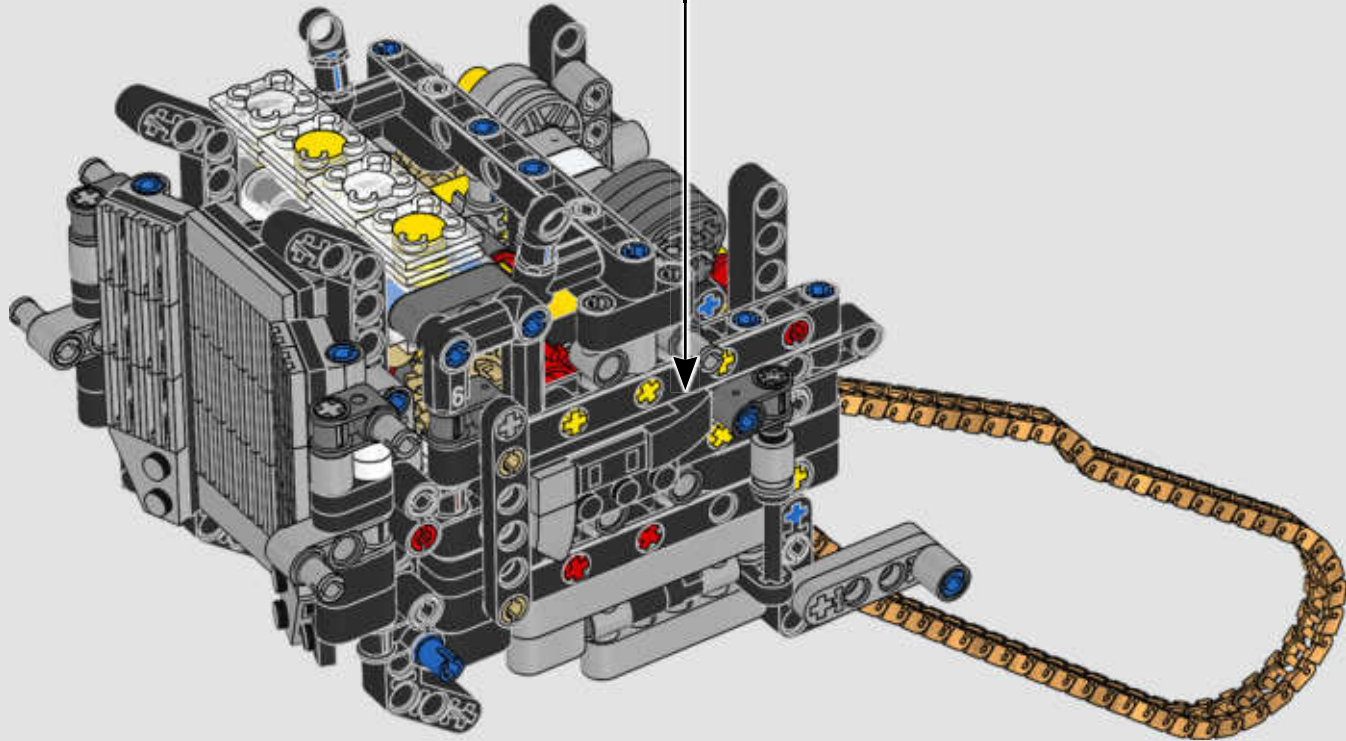
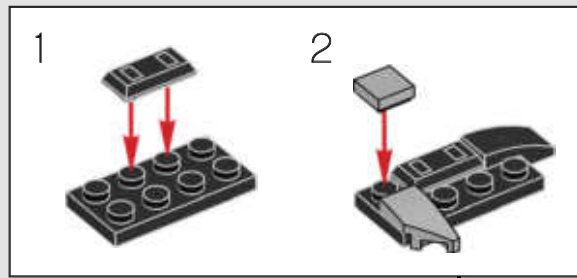


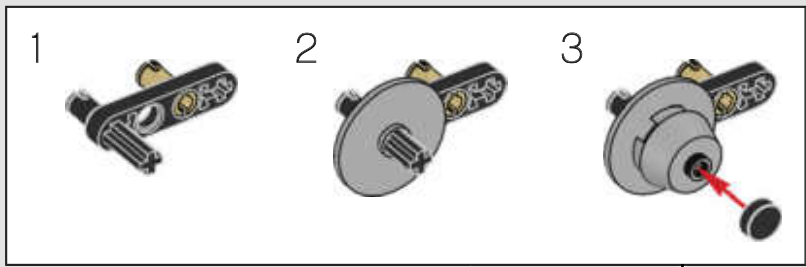
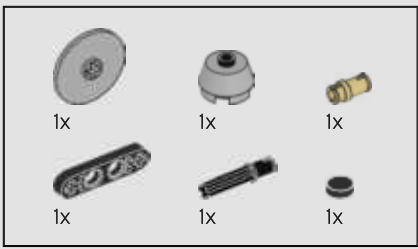
137



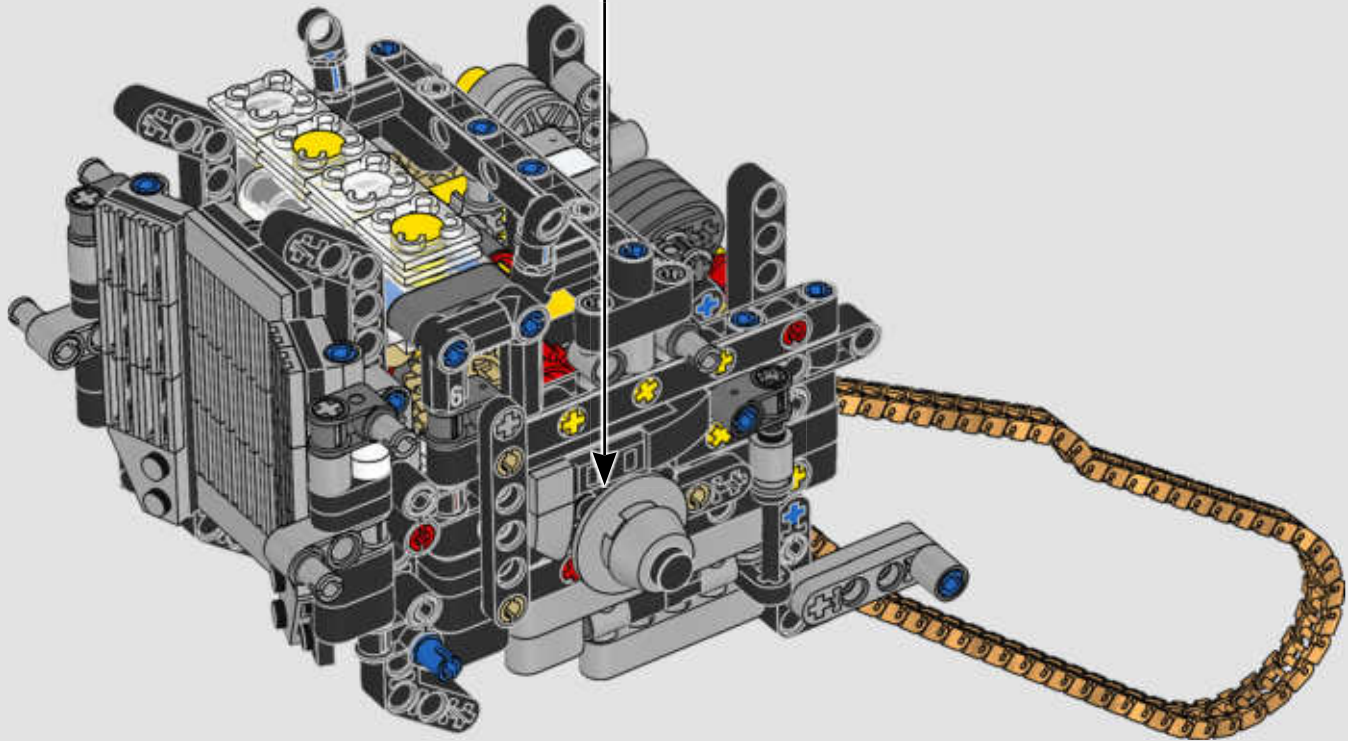


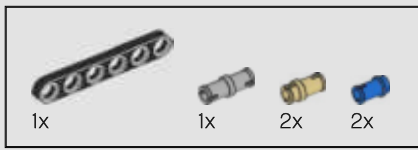
138



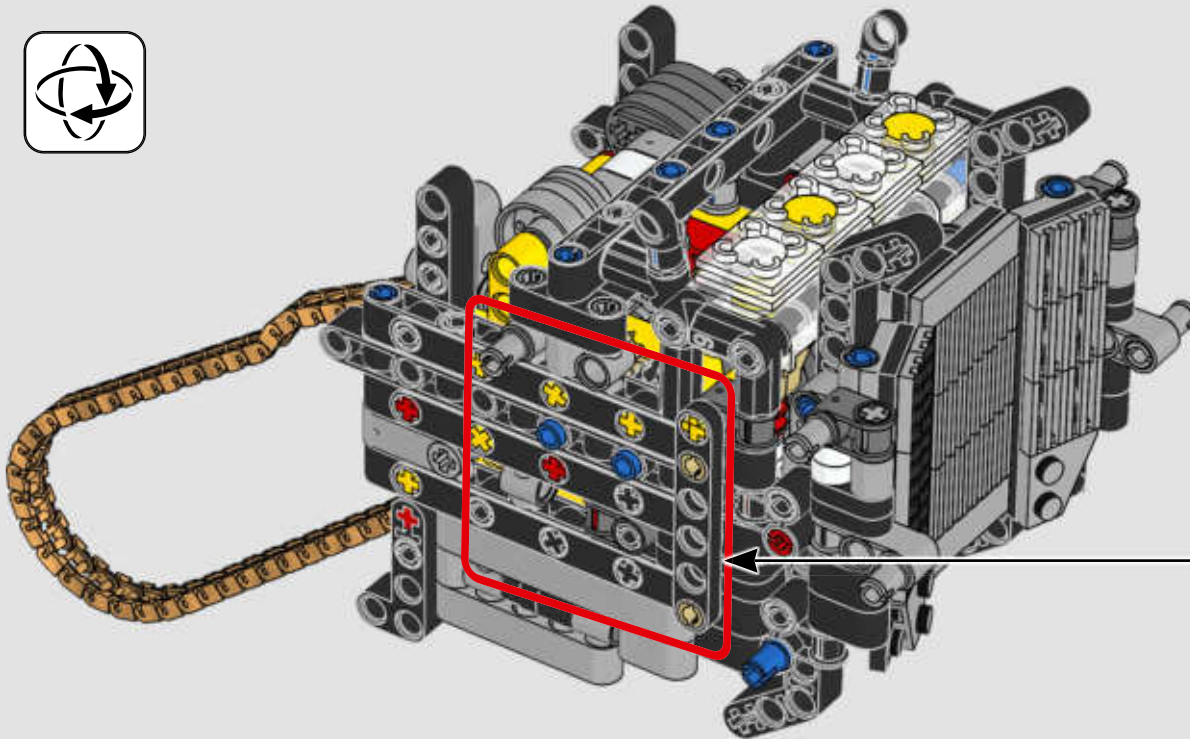


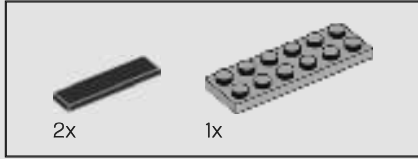
139



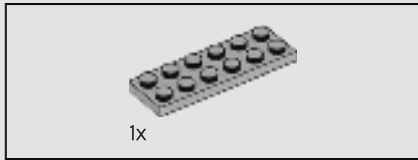
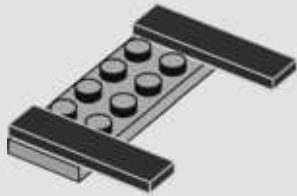


140

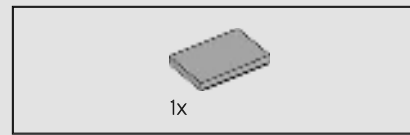




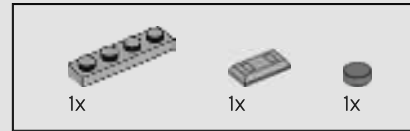
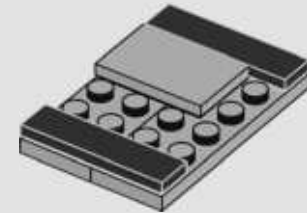
141



142



143

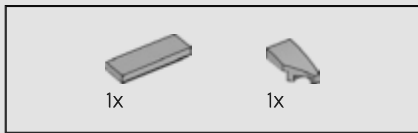
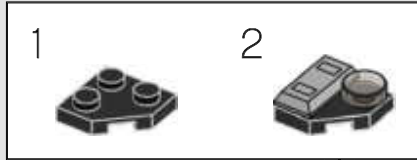


144

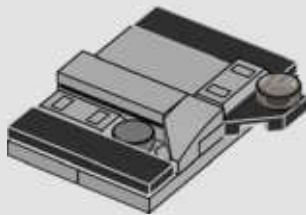




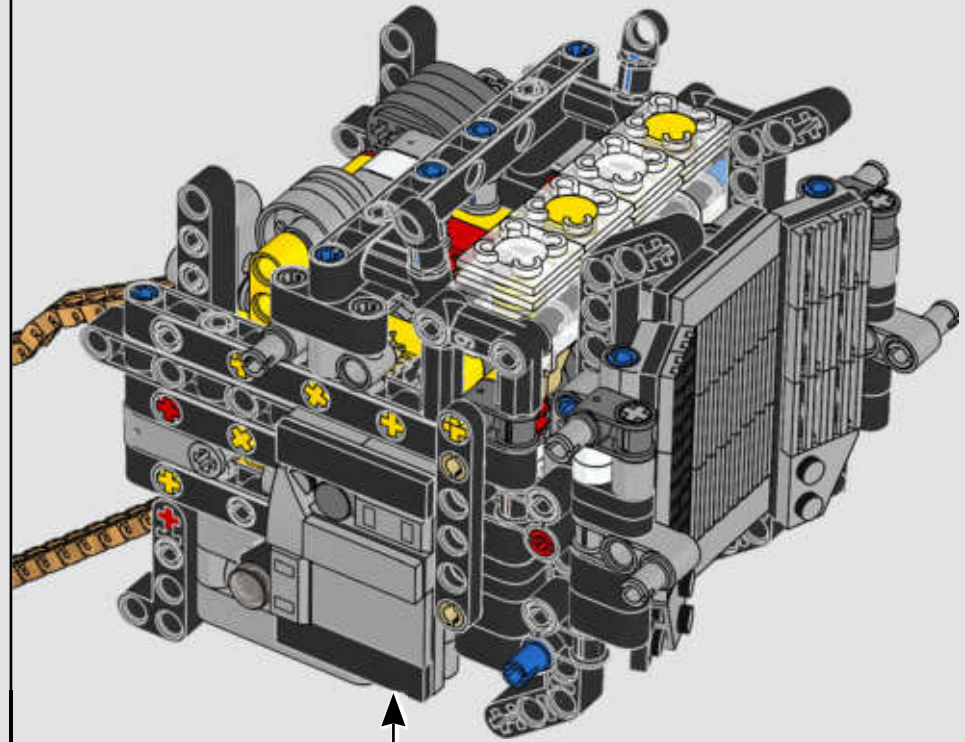
145

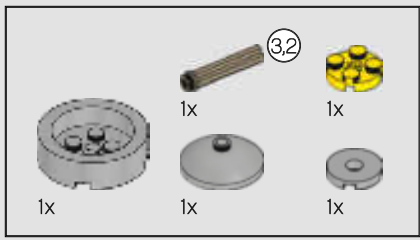


146

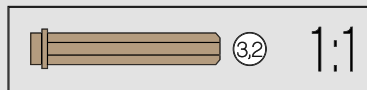
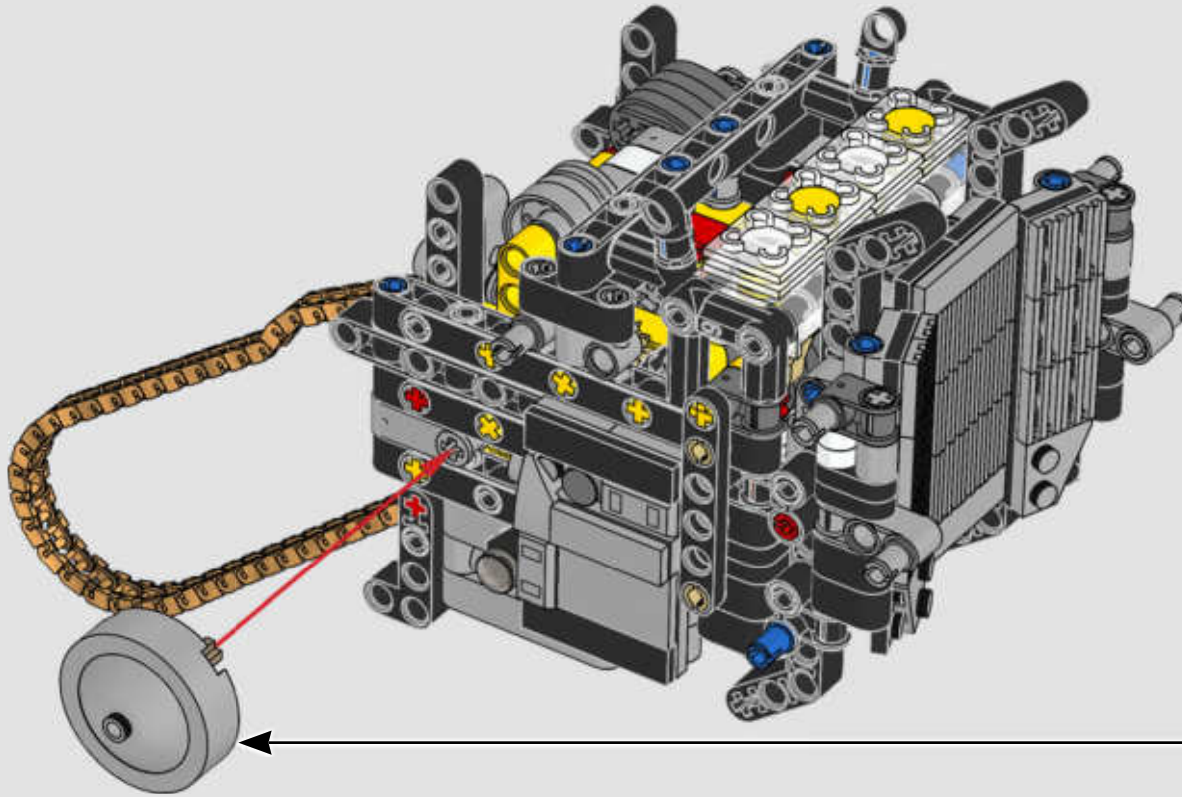
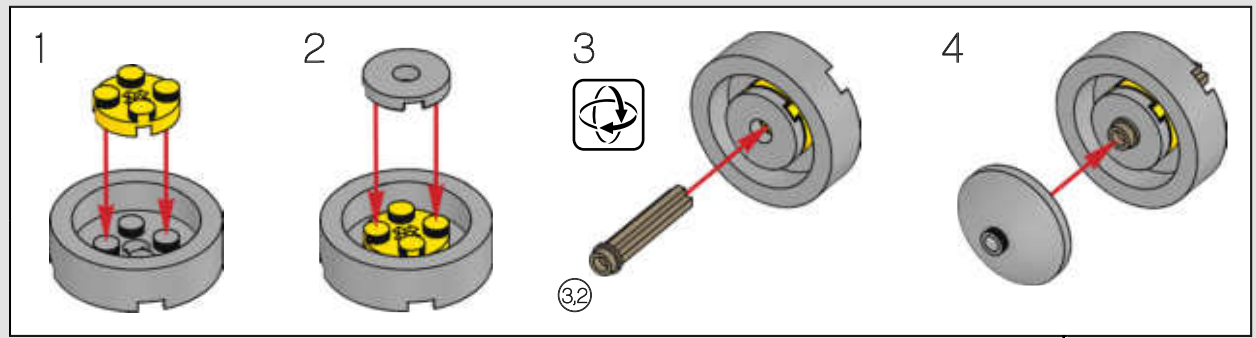


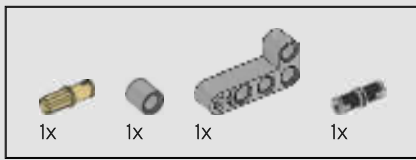
147



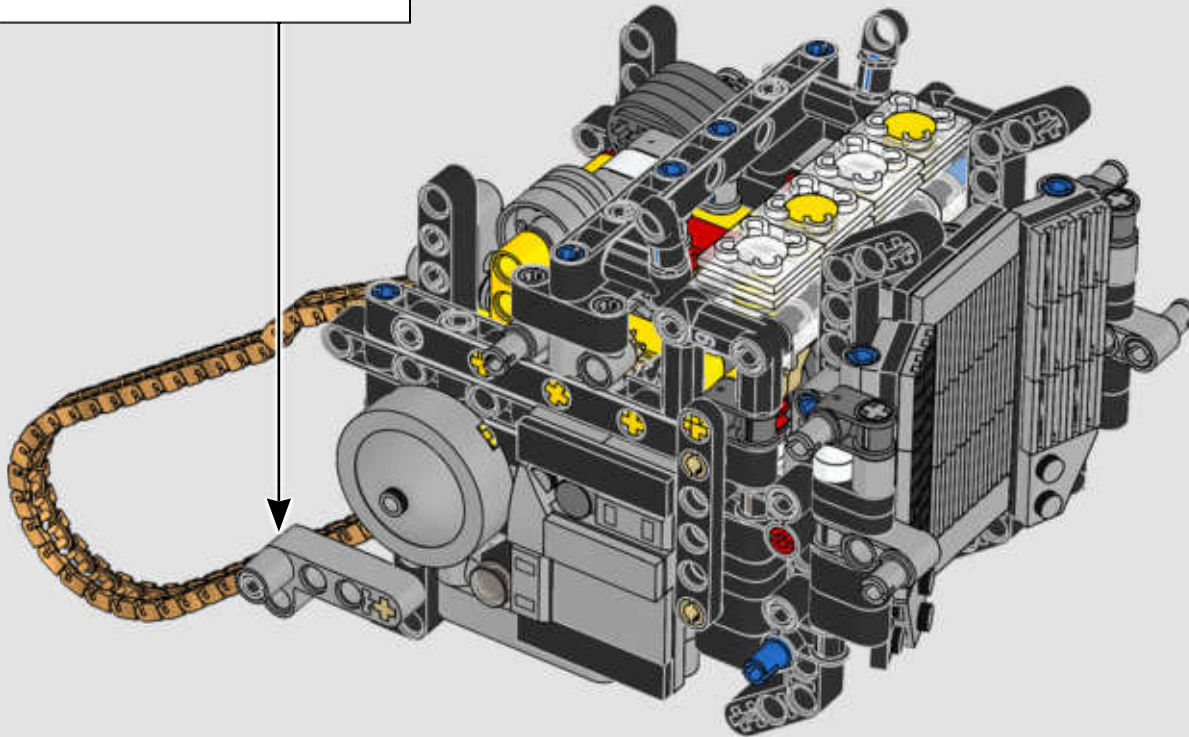
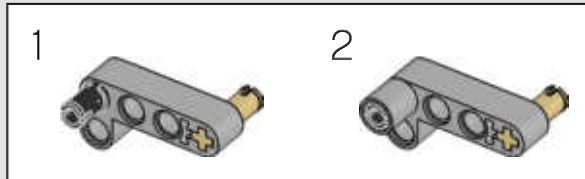


148



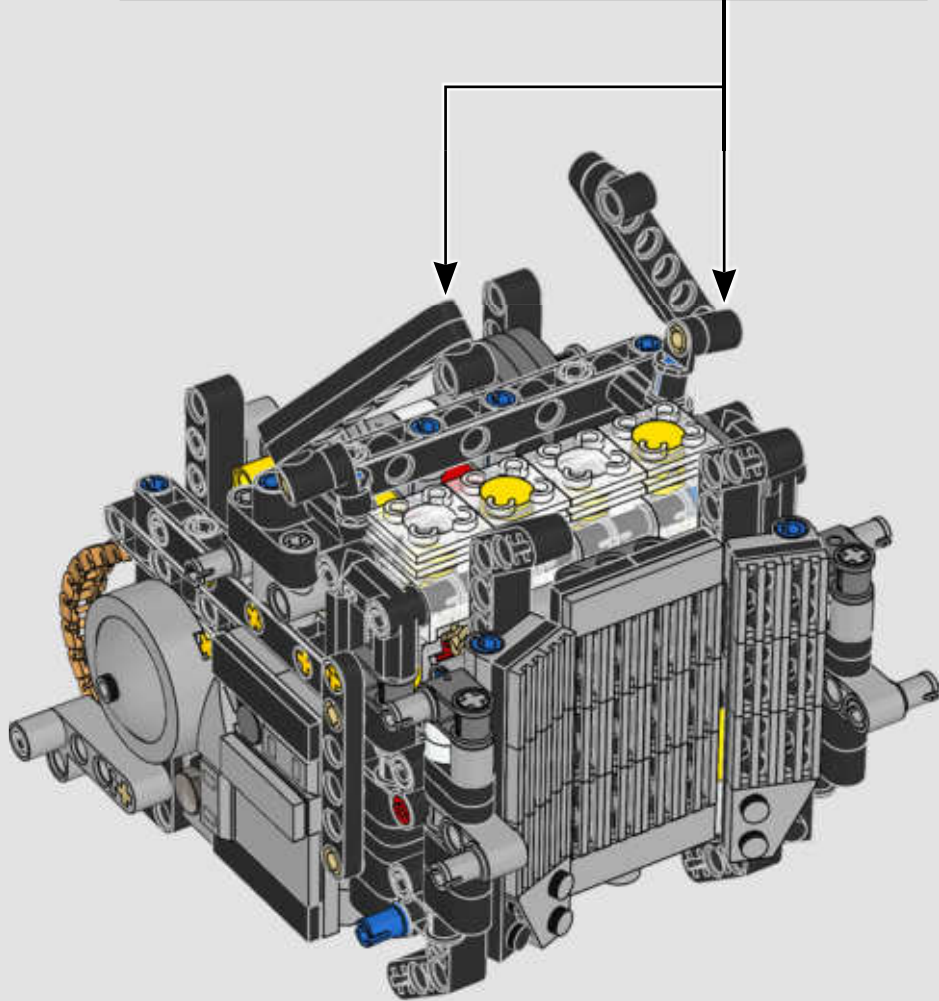
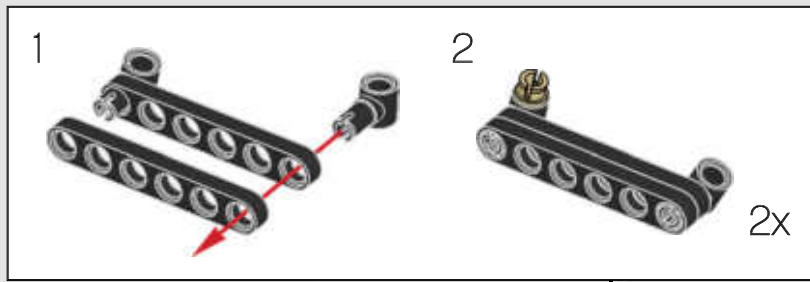


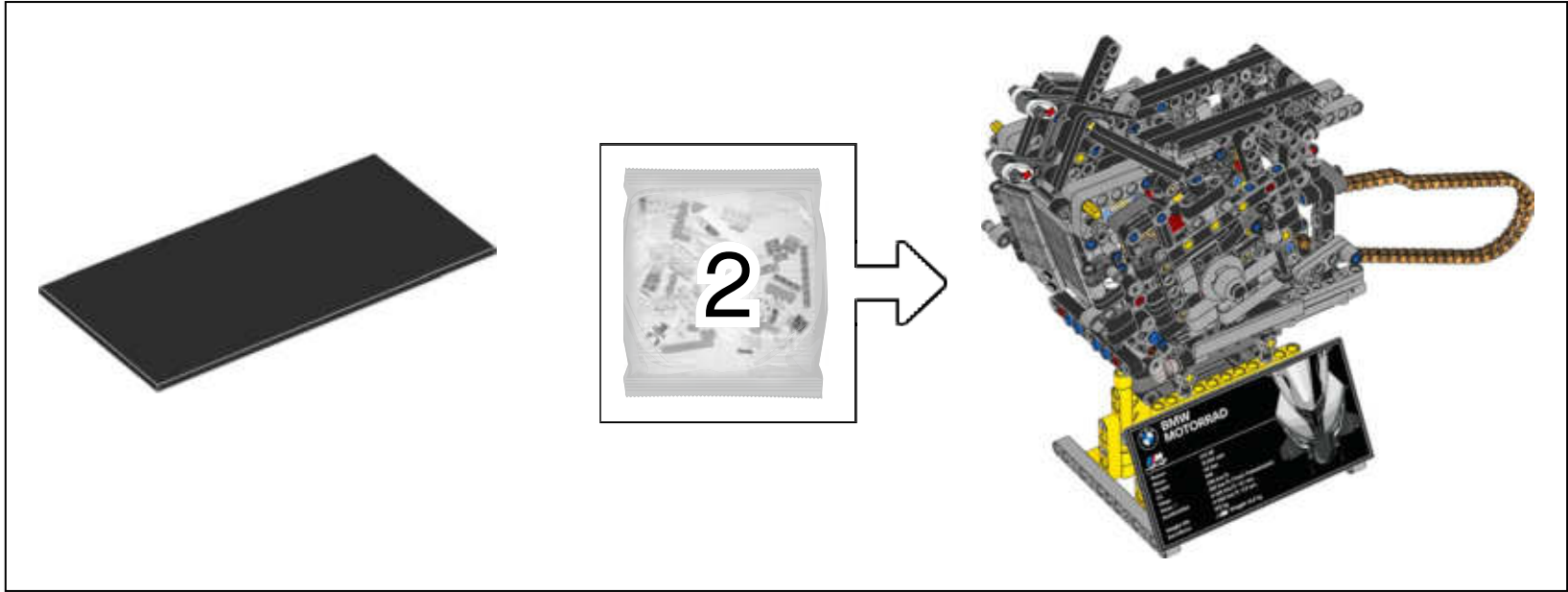
149

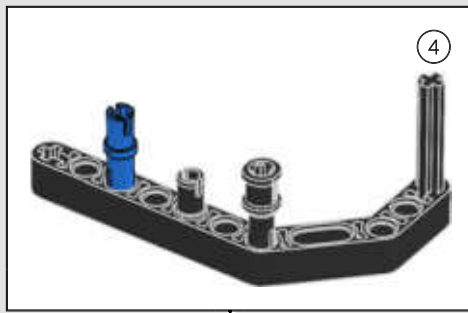
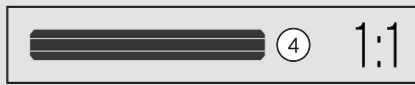
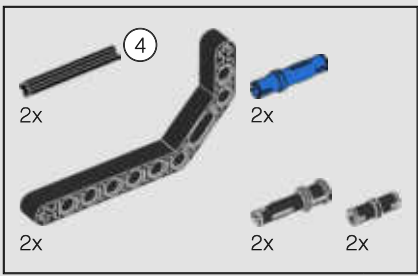




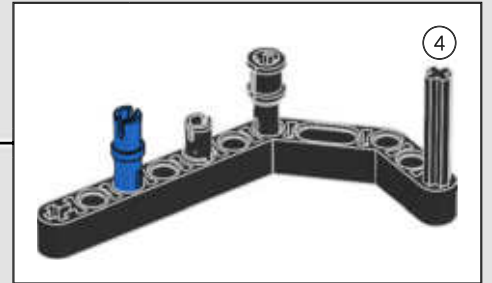
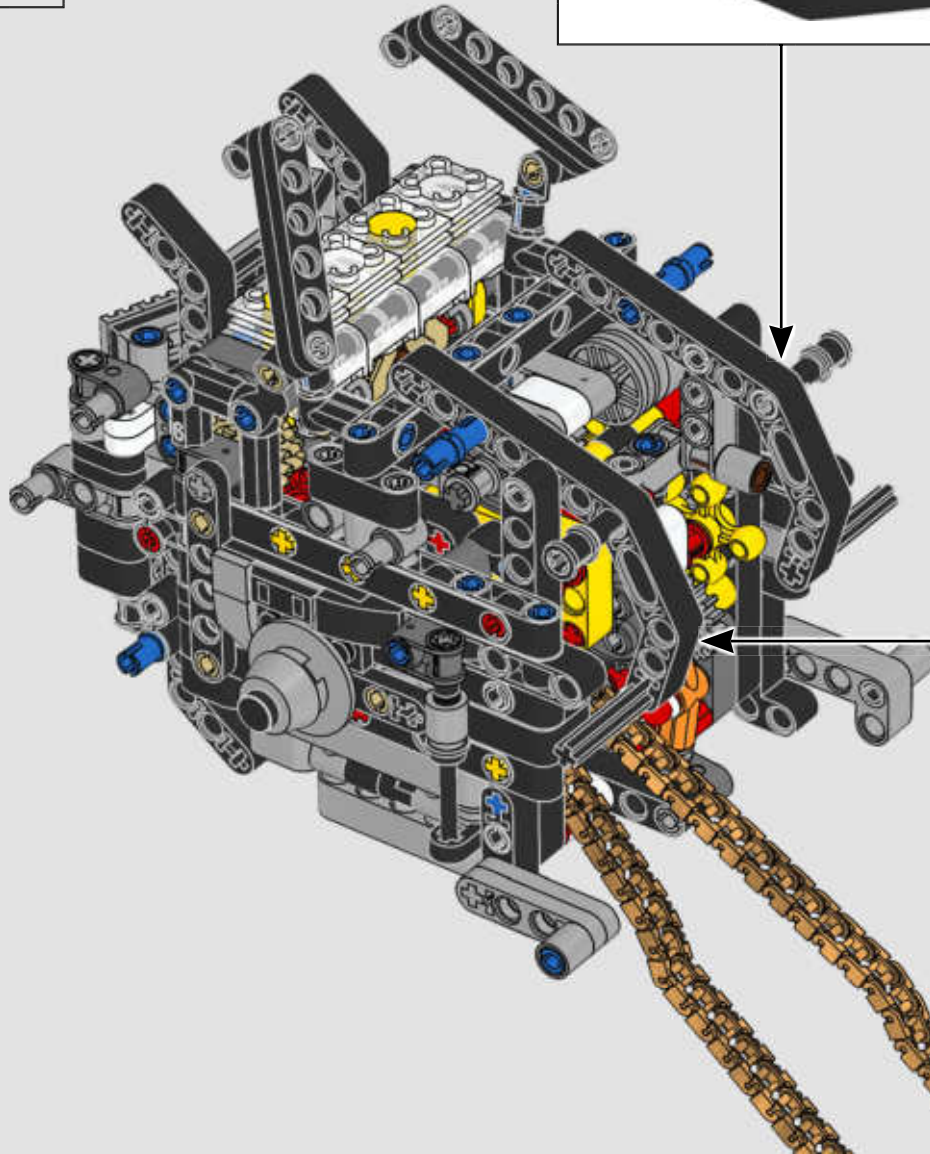
150

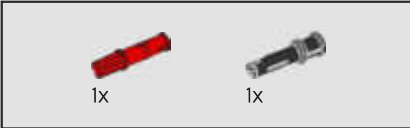
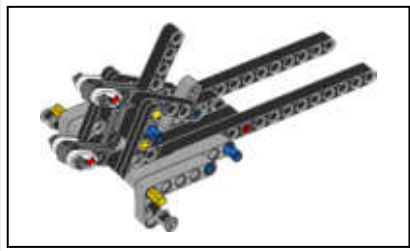




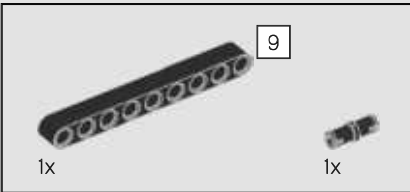


151

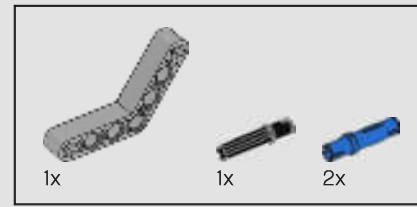
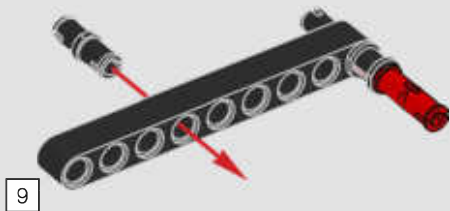




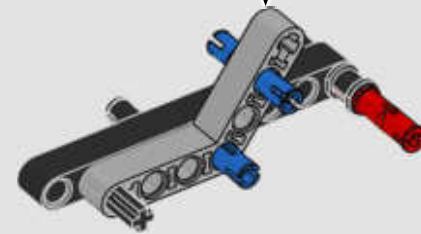
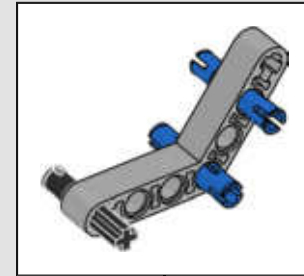
152

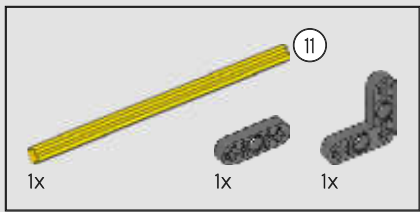


153

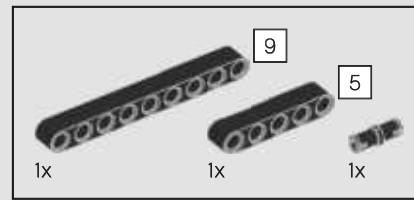
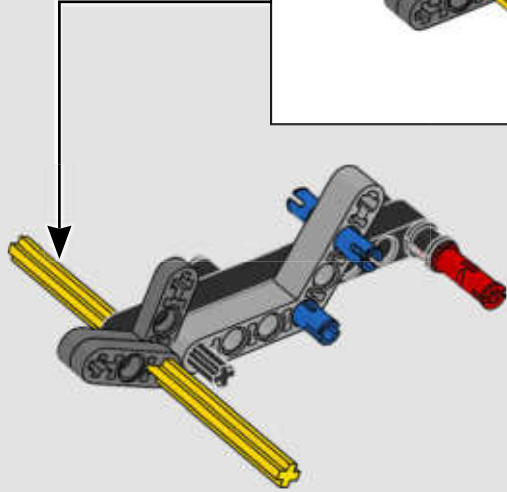
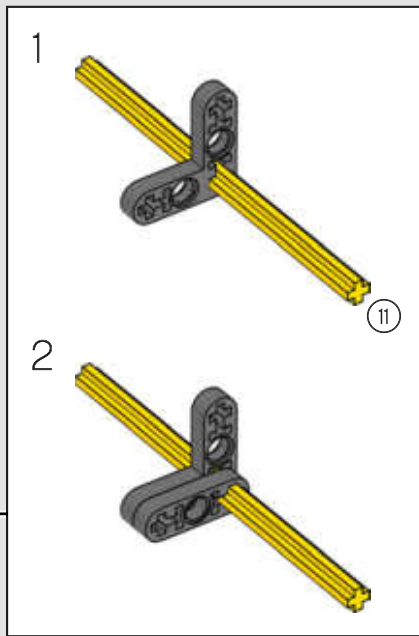


154

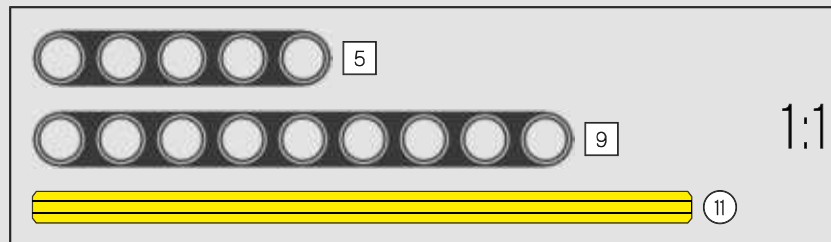
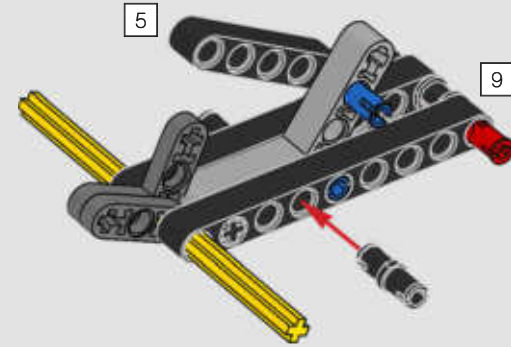


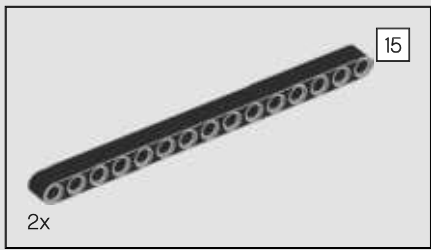


155

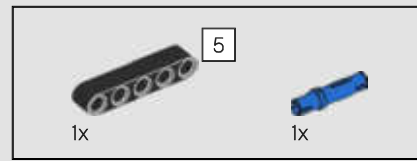
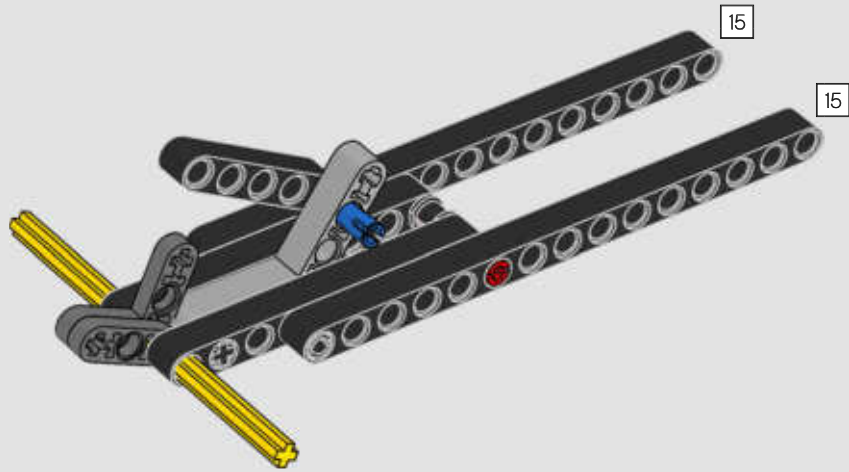


156

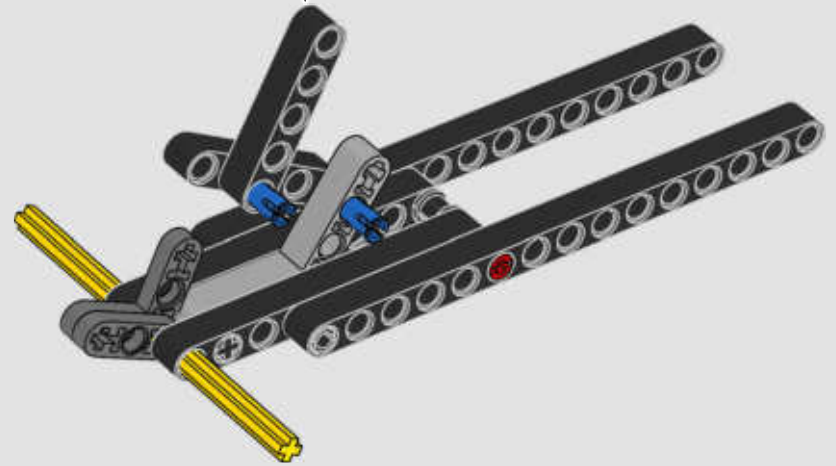


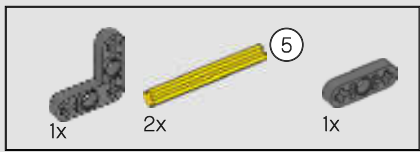


157

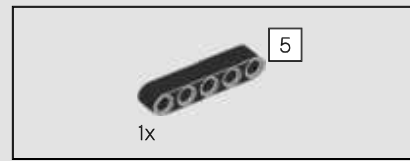
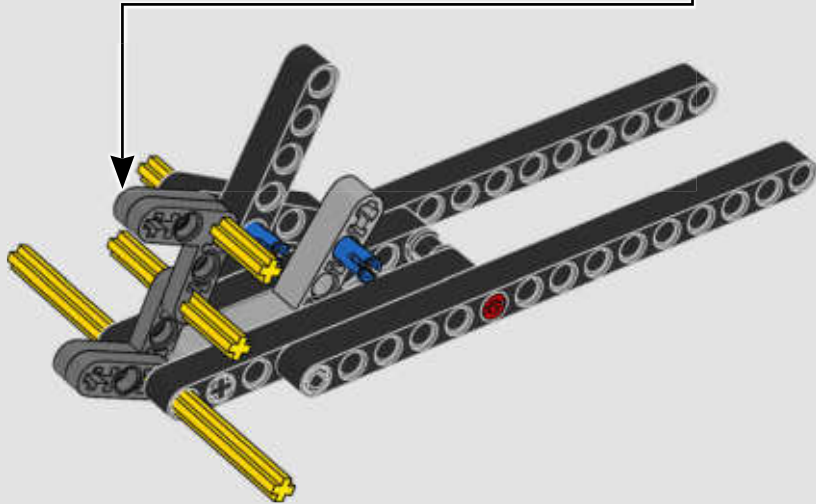
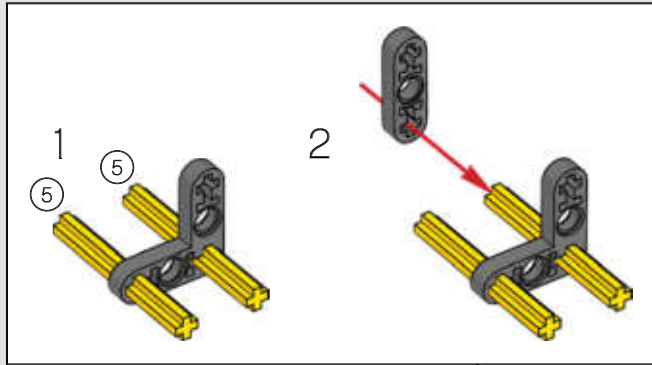


158

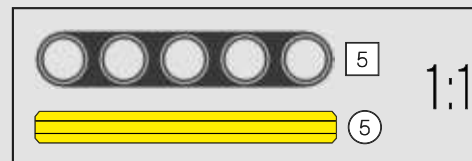
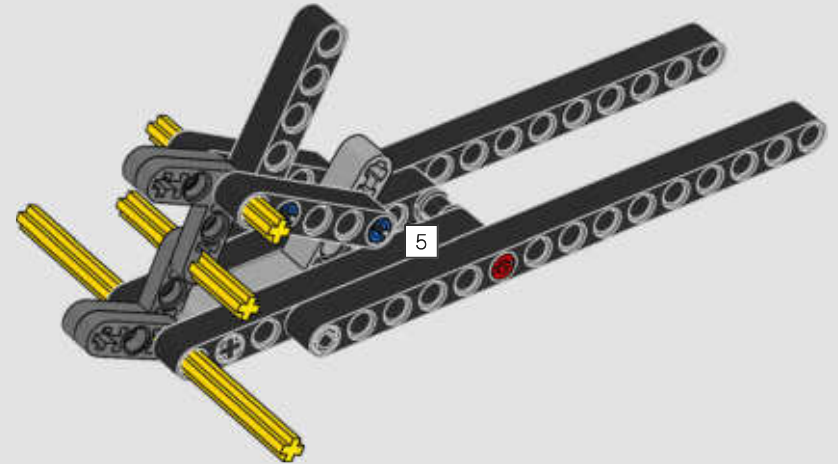




159

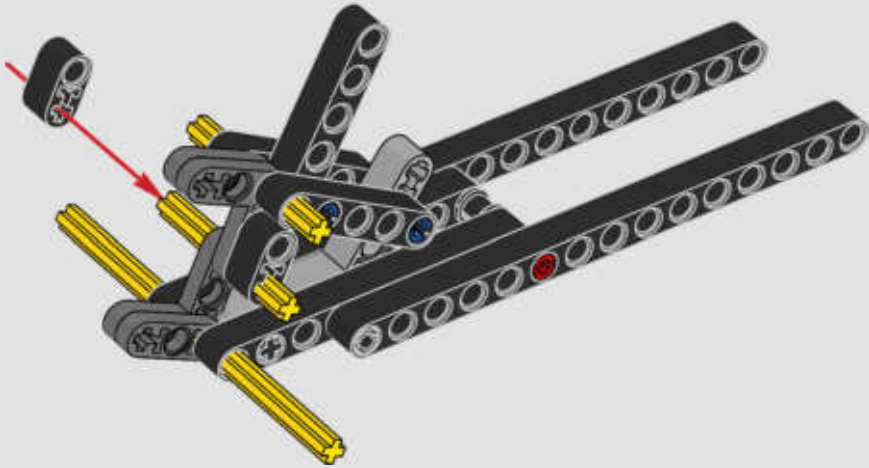


160

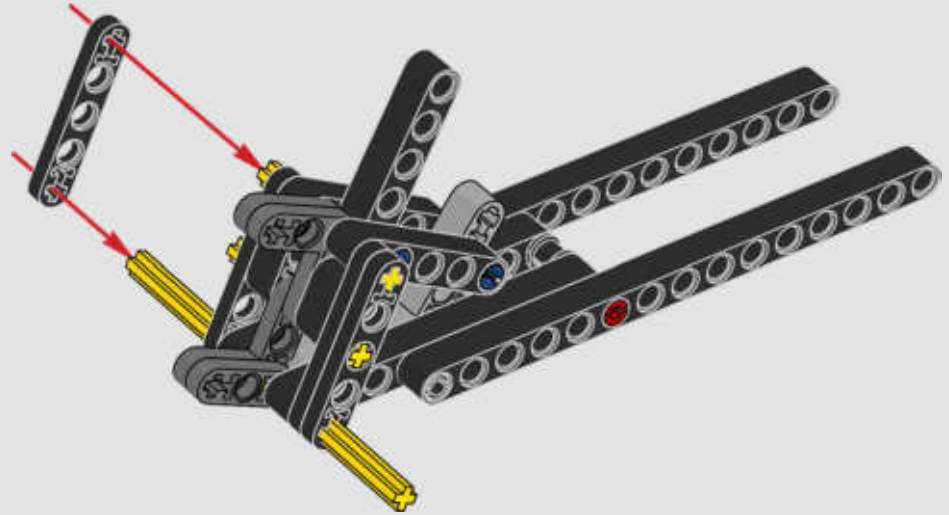


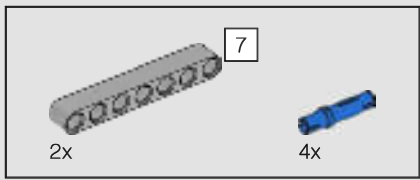


161

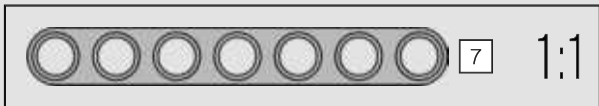
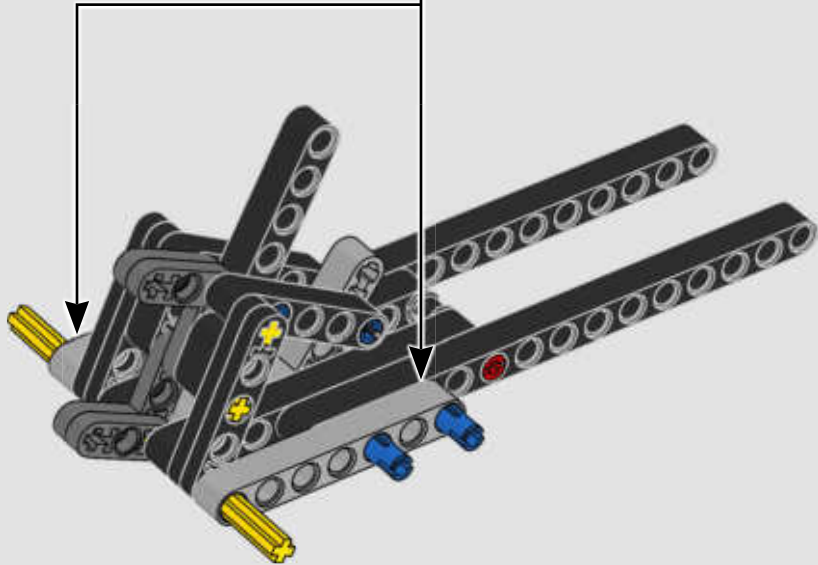
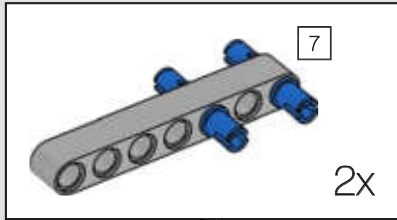


162

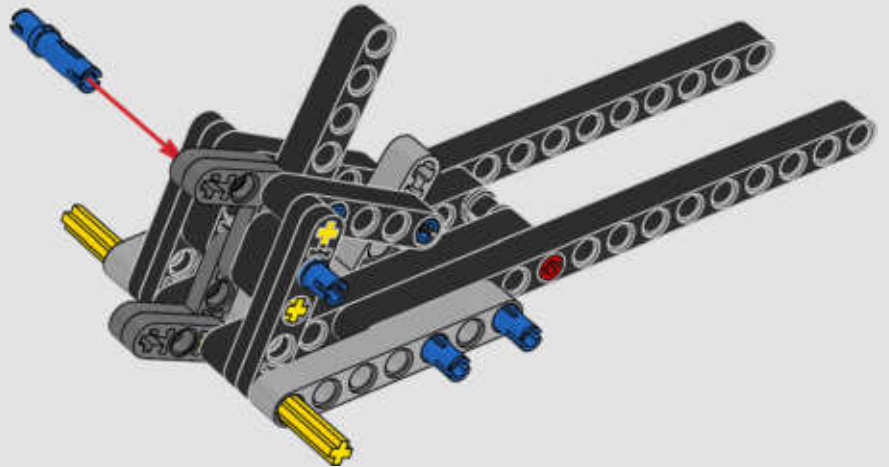


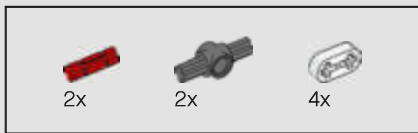


163

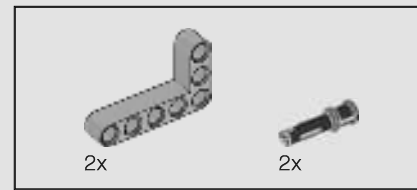
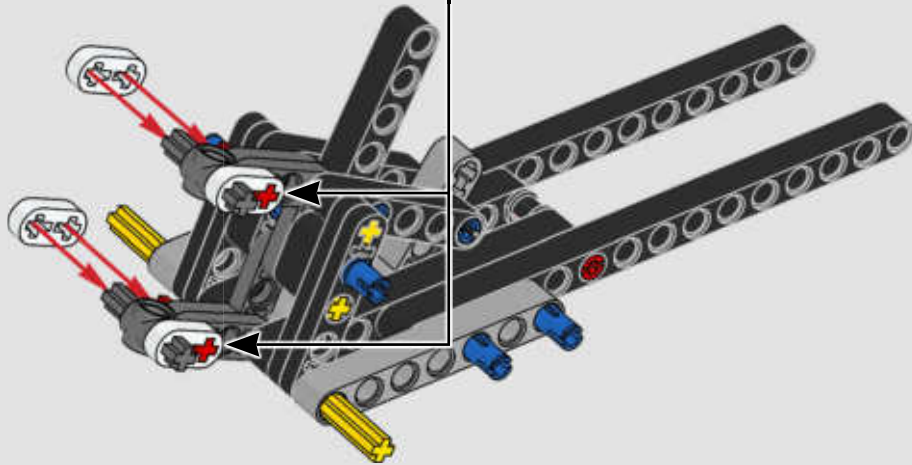


164

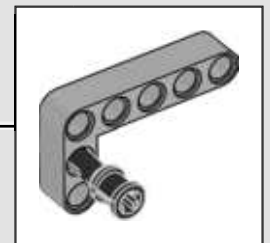
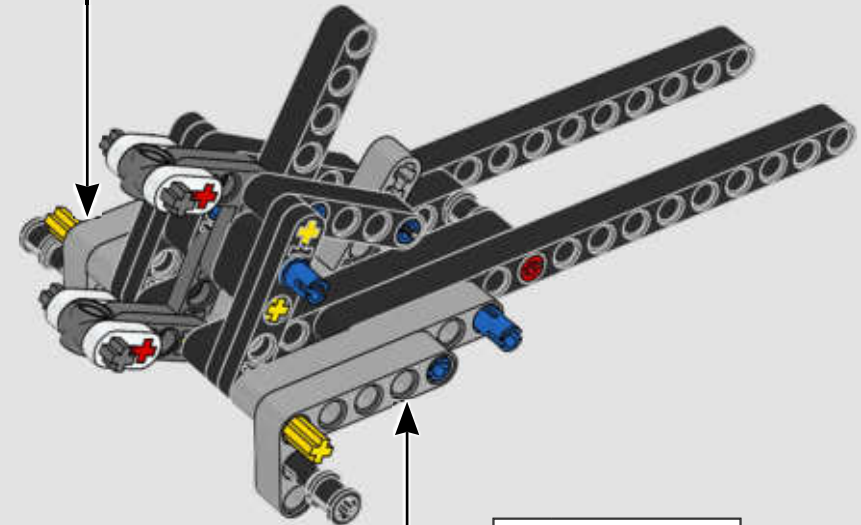
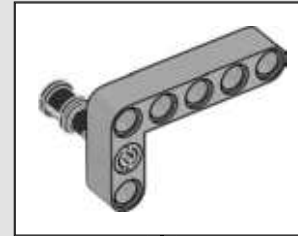


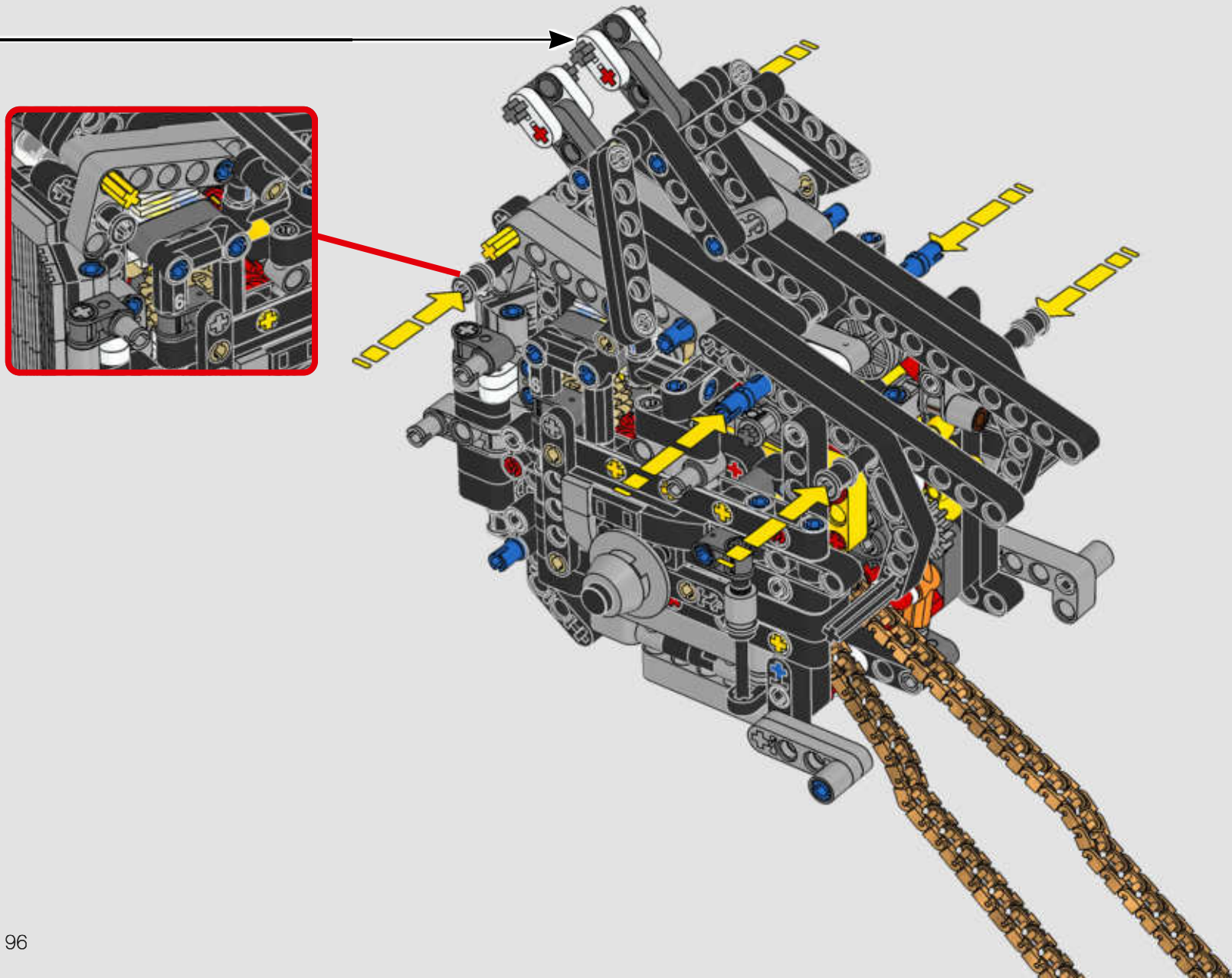


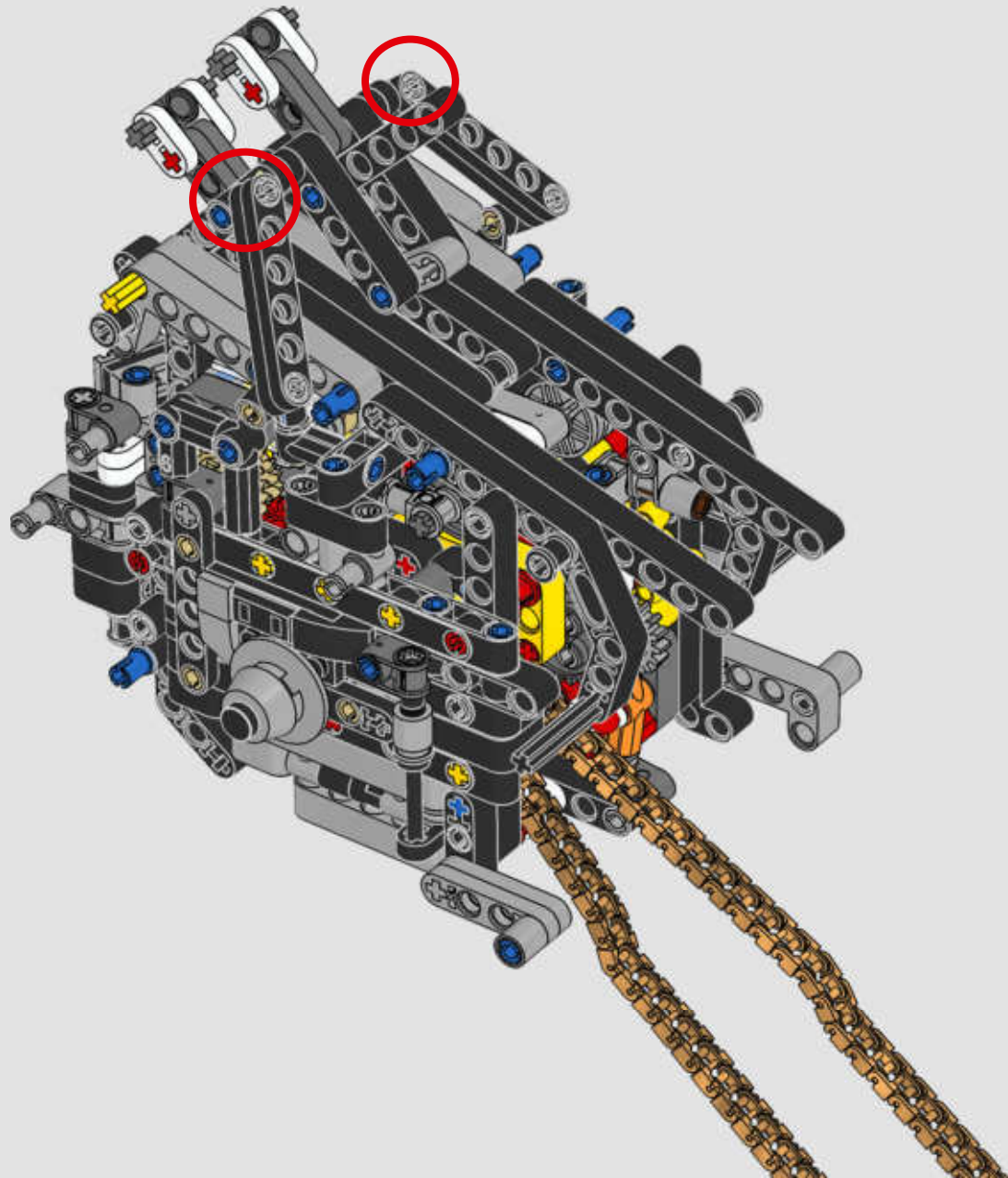
165

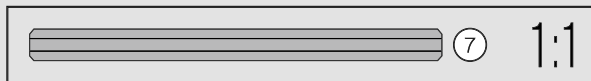
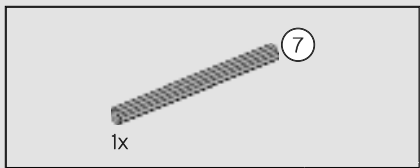


166

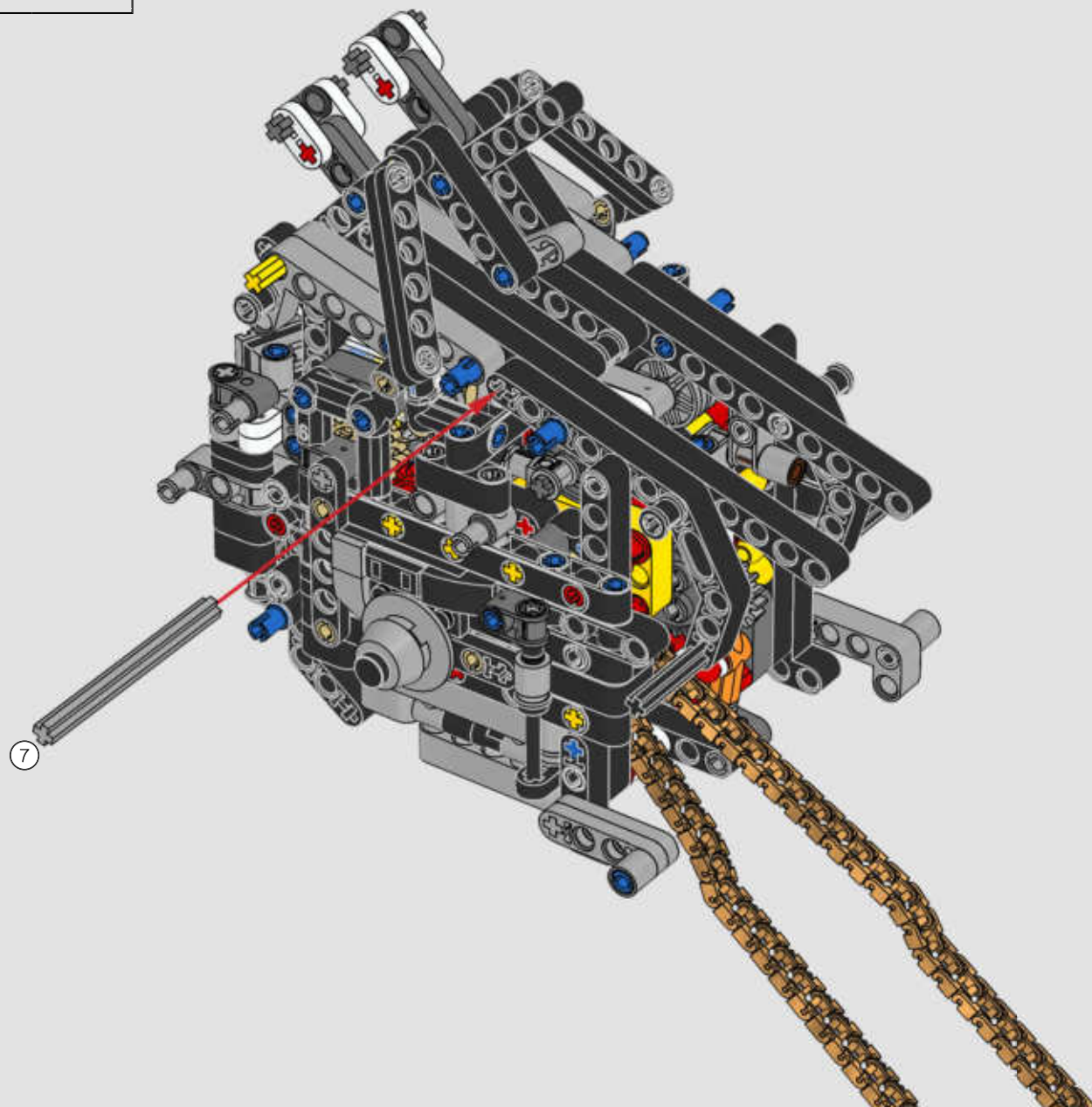


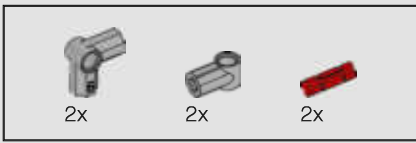




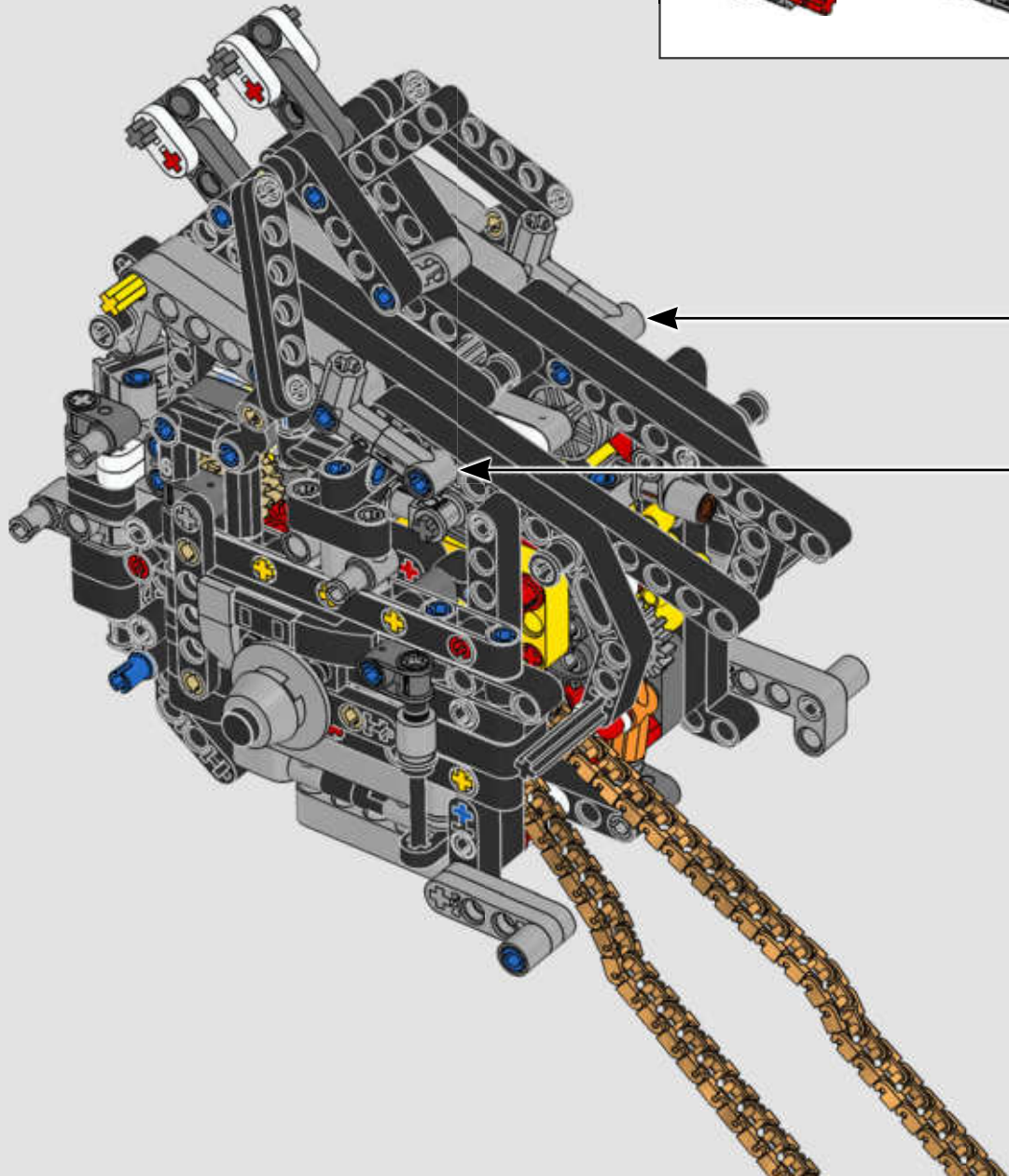
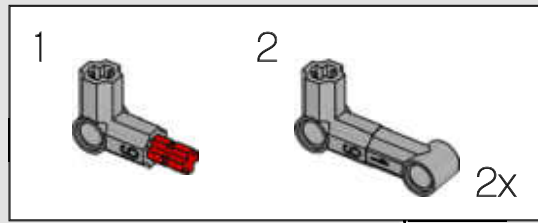


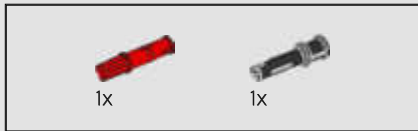
169



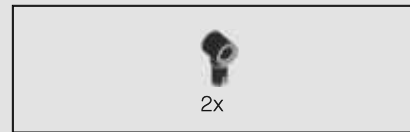


170





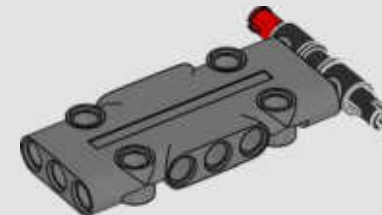
171



172

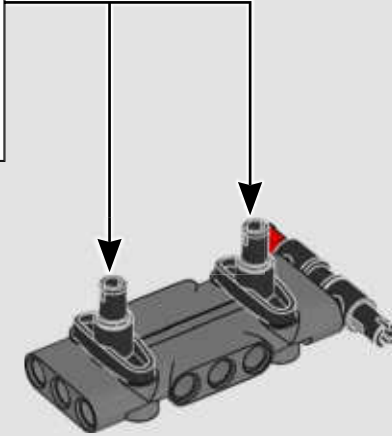
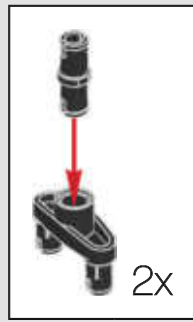


173

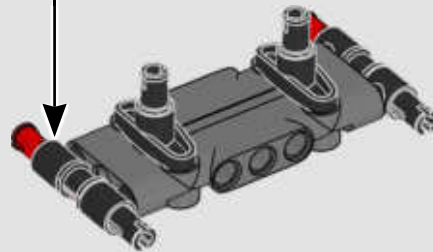
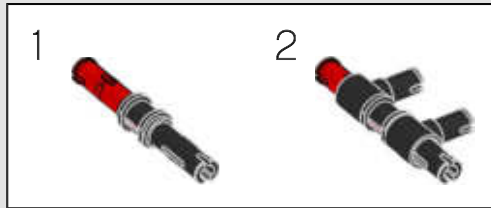


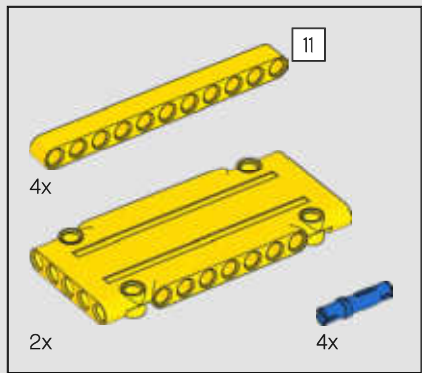


174

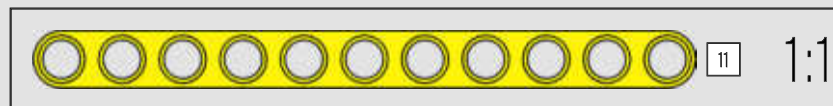
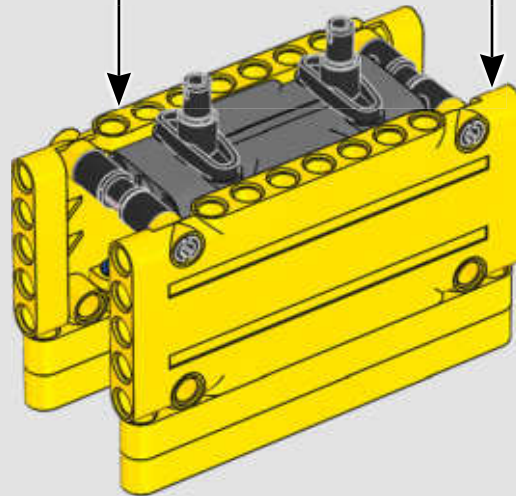
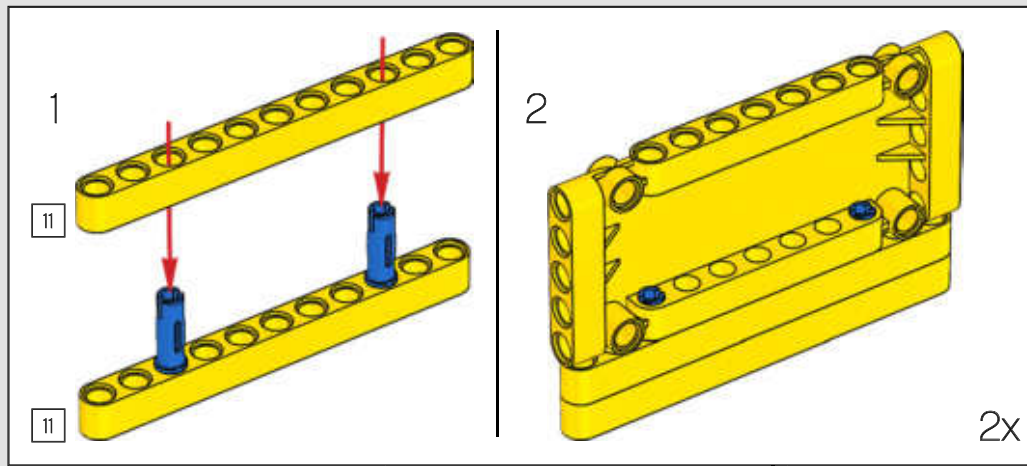


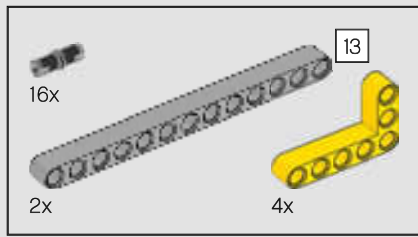
175



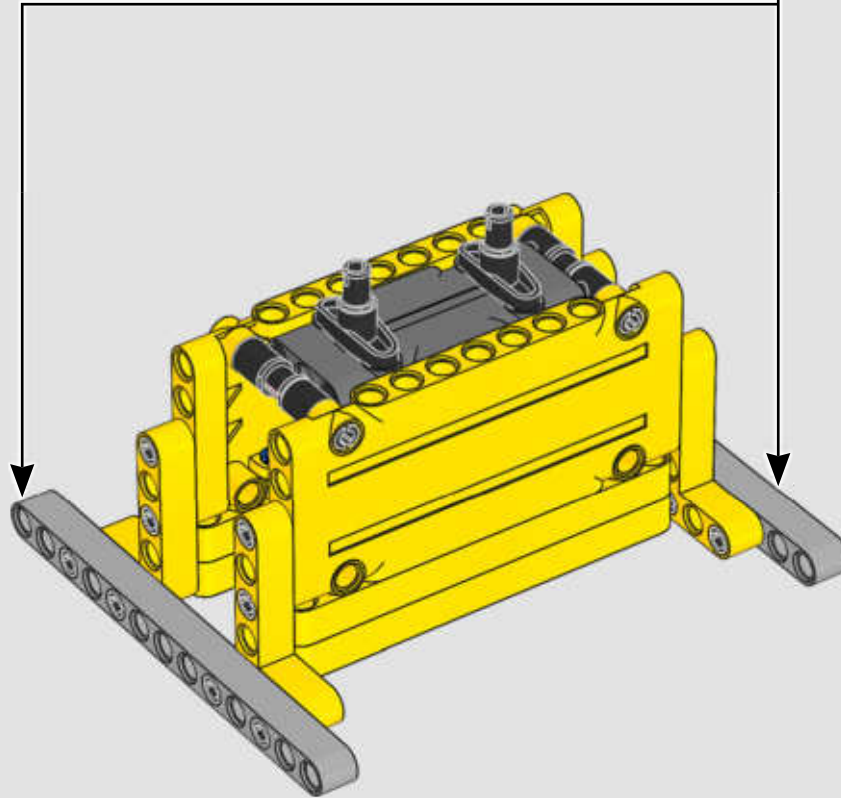
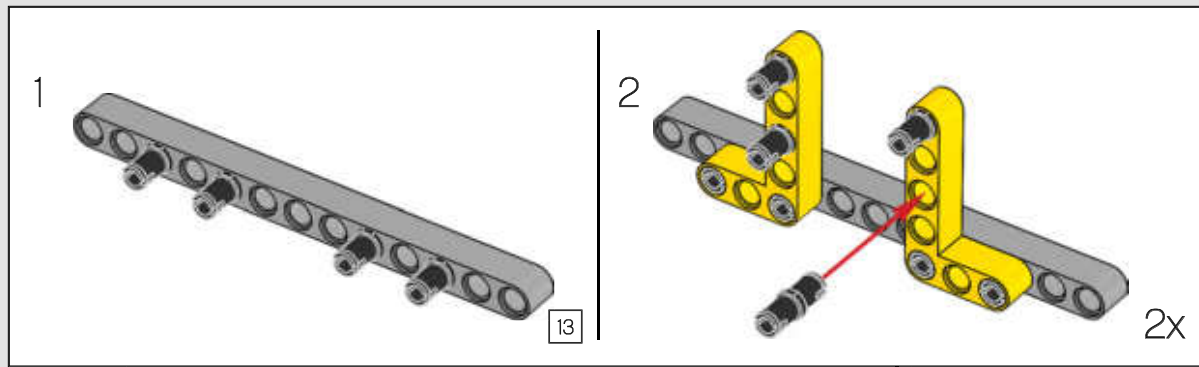


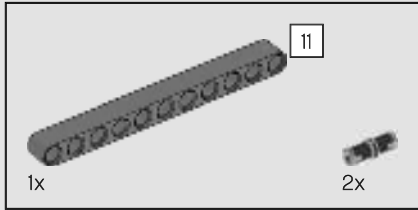
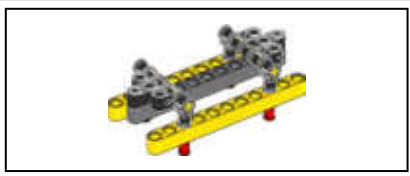
176



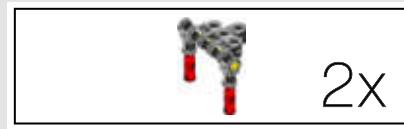
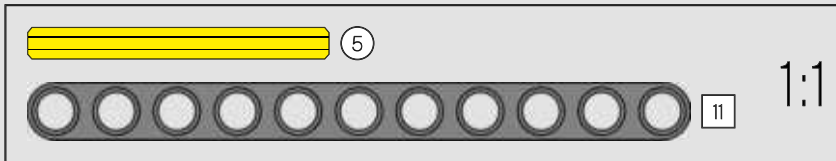
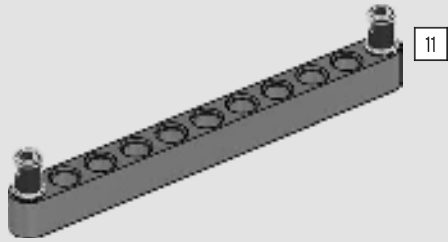


177

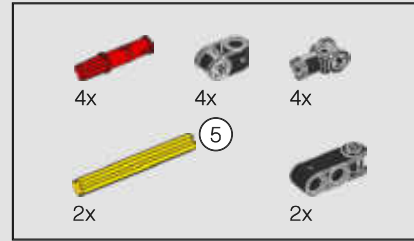




178

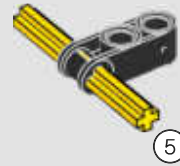


2x



179

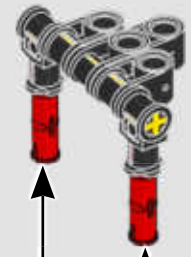
1



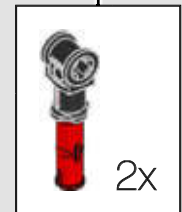
2



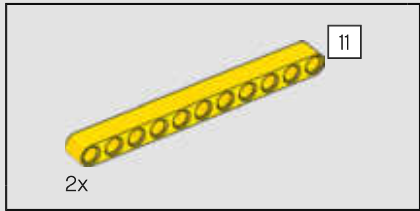
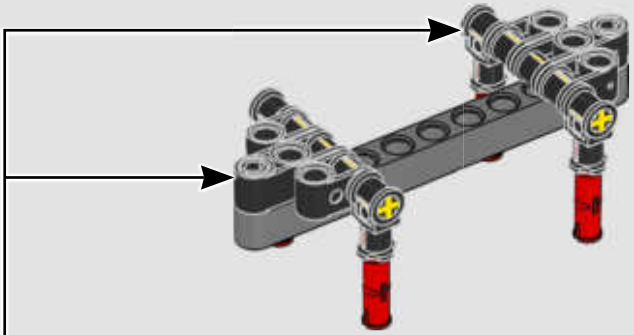
3



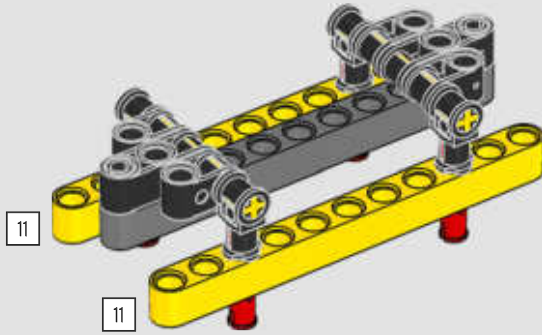
2x



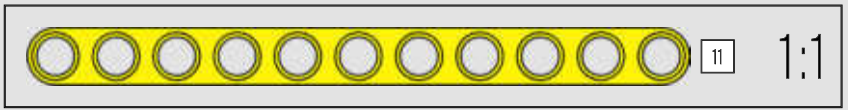
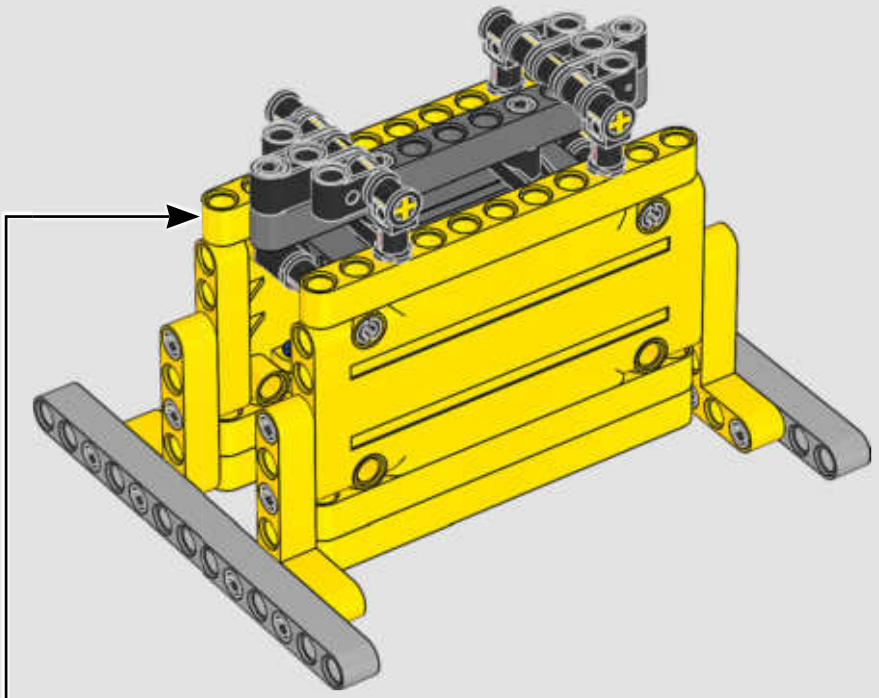
180

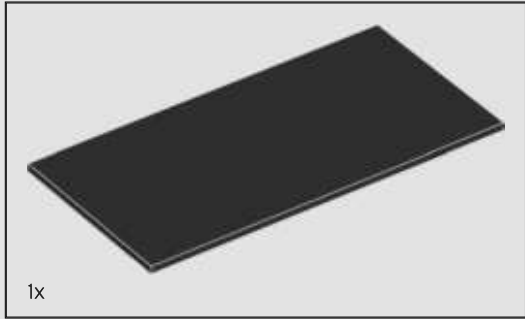
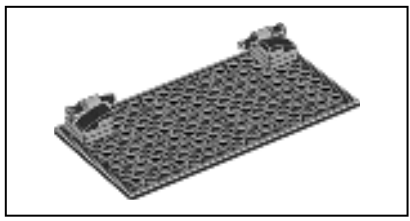


181



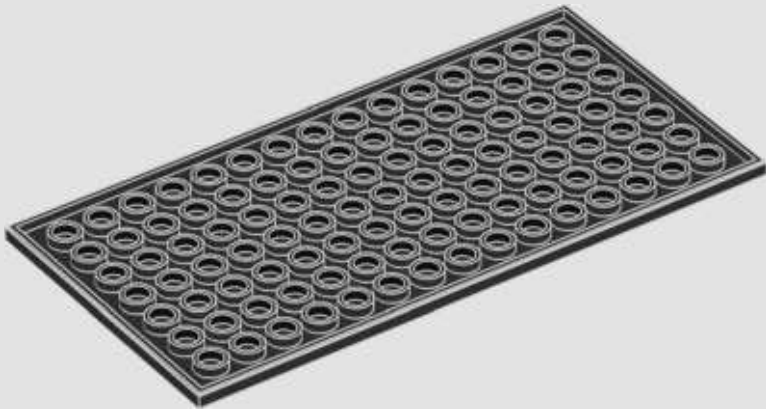
182





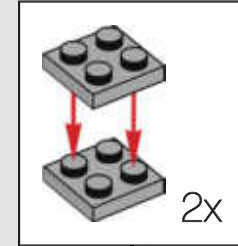
1x

183

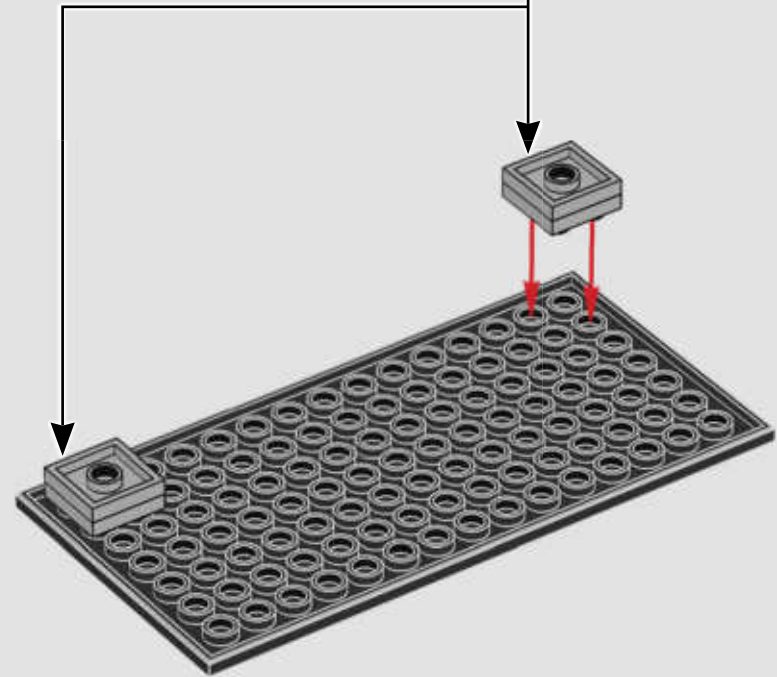


4x

184

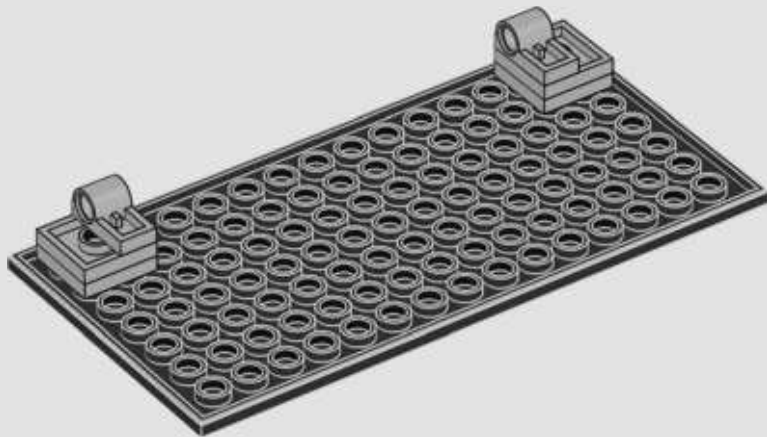


2x

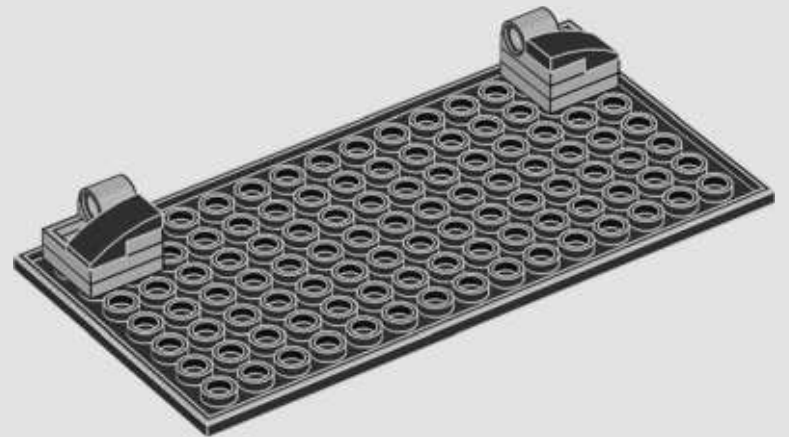




185

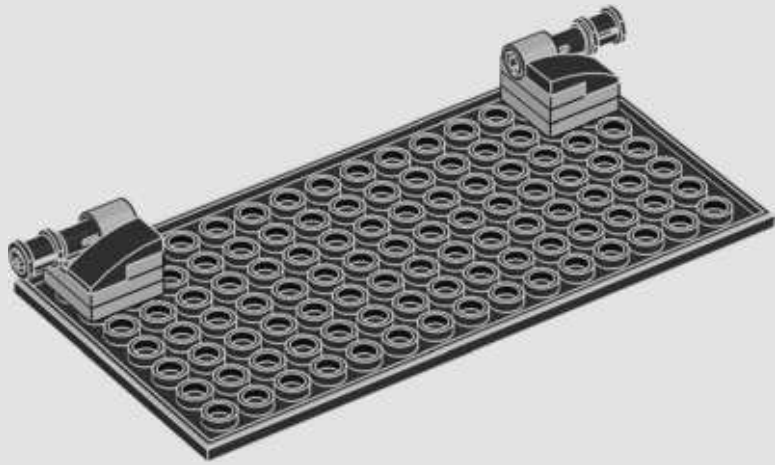


186

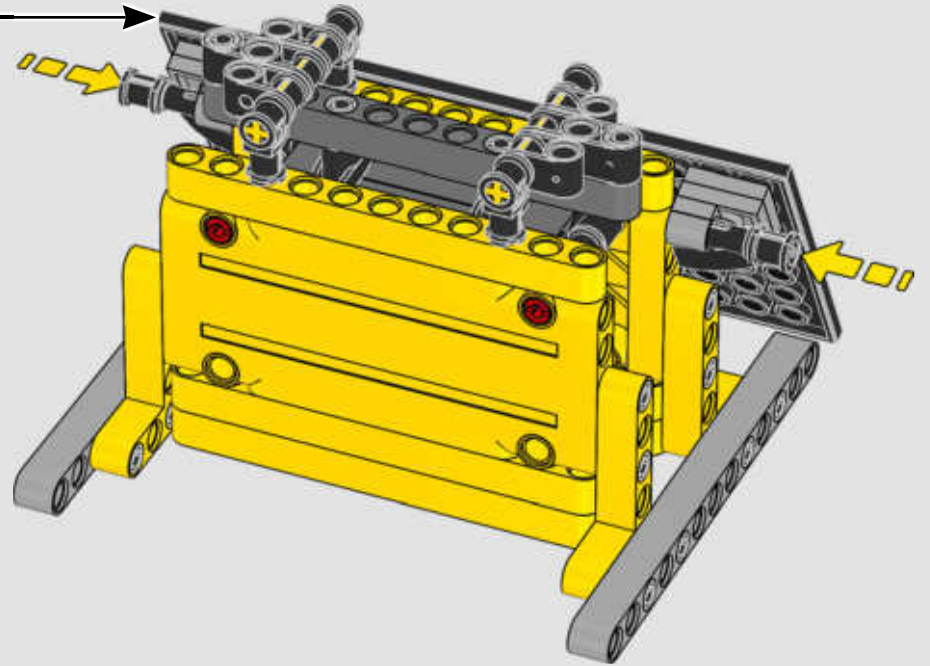
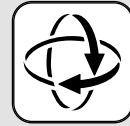


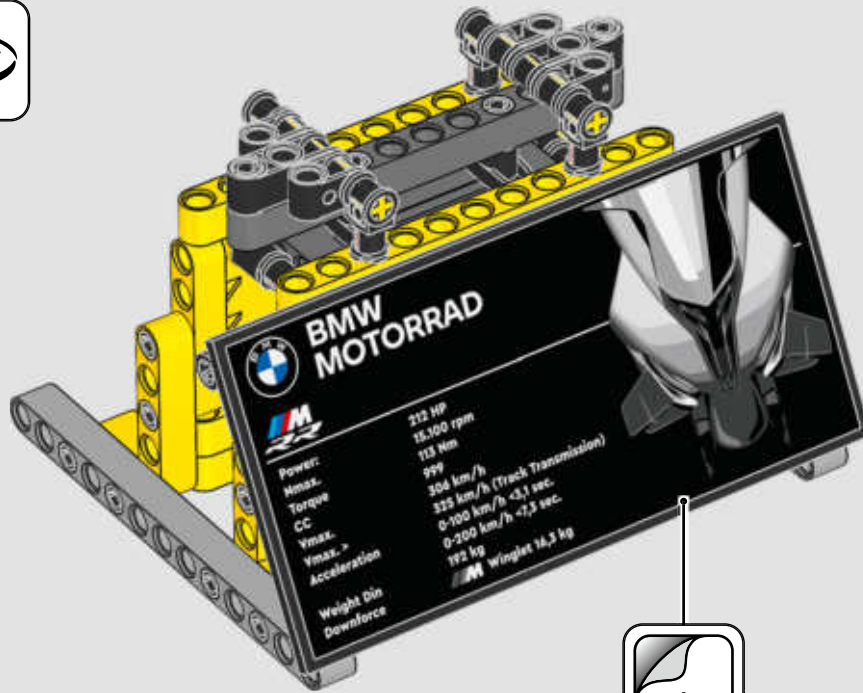


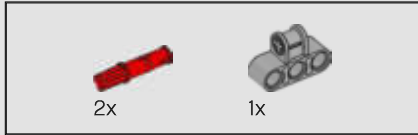
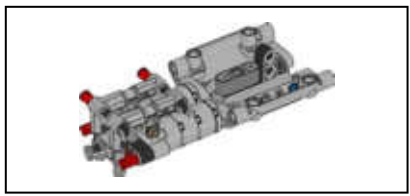
187



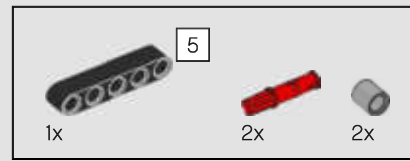
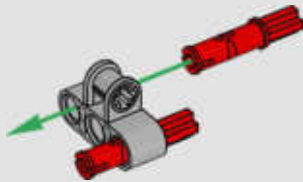
188



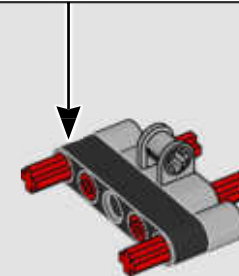
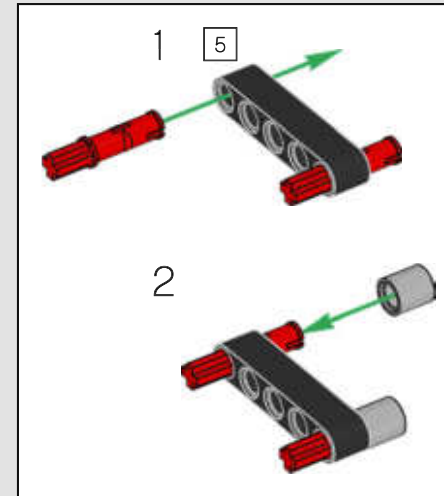




190

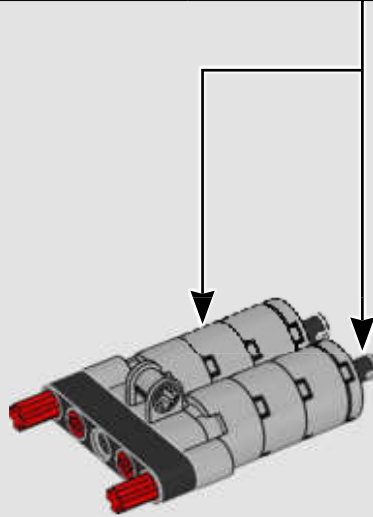
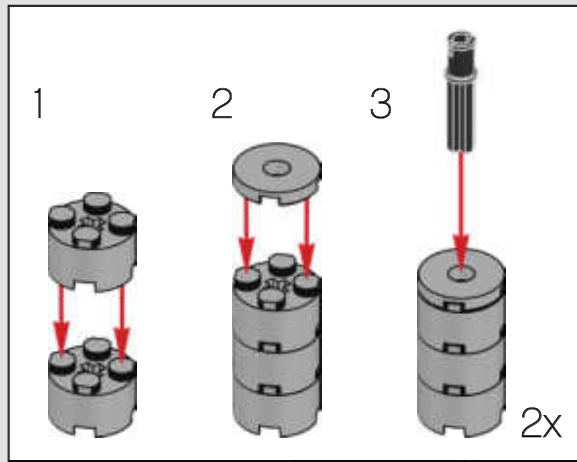


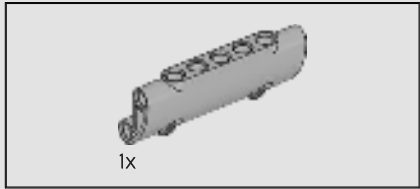
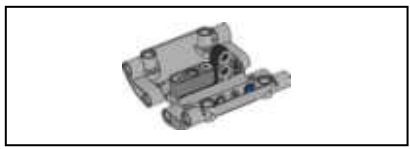
191



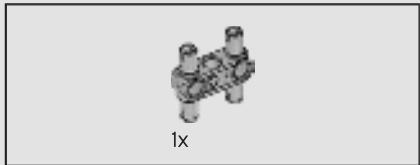
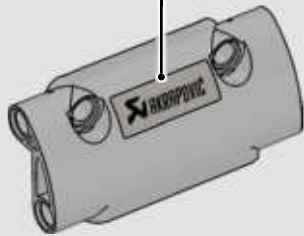


192

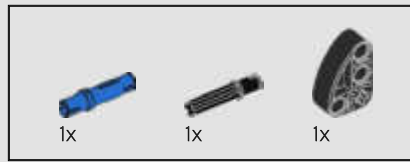
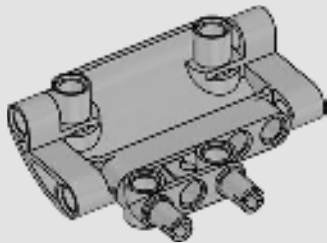




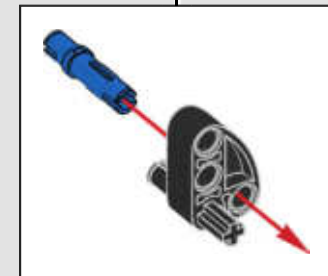
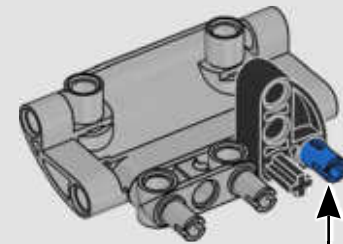
193



194

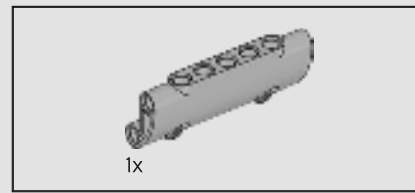
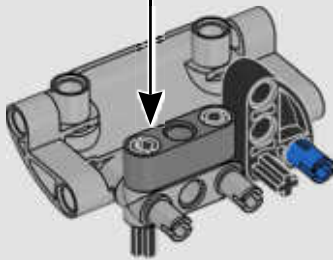
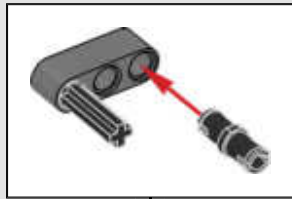


195

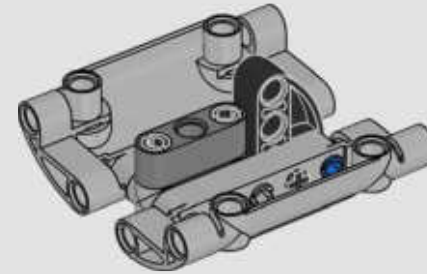
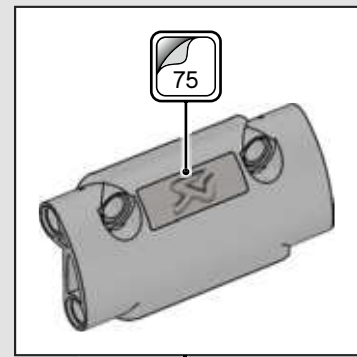




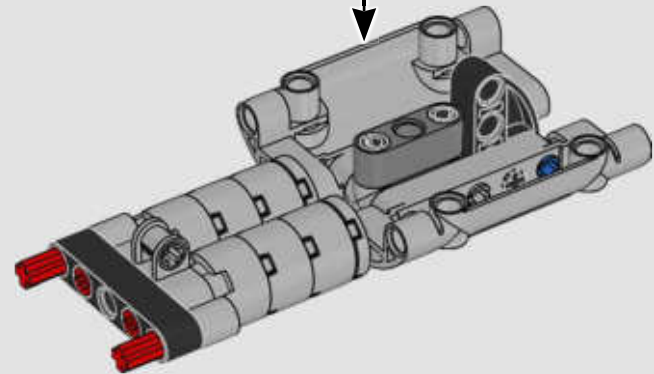
196

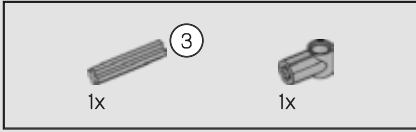
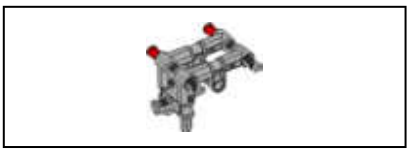


197

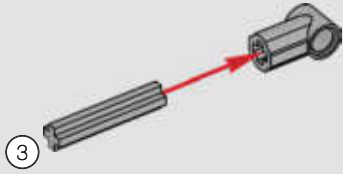


198

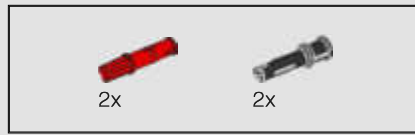
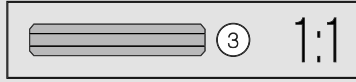
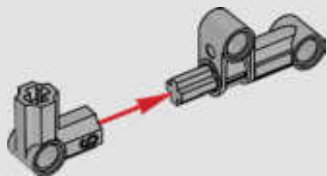




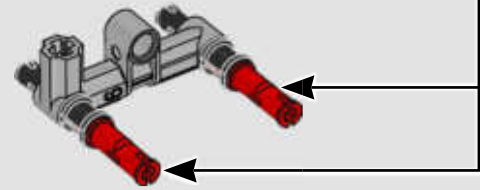
199



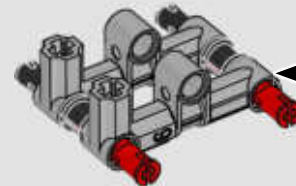
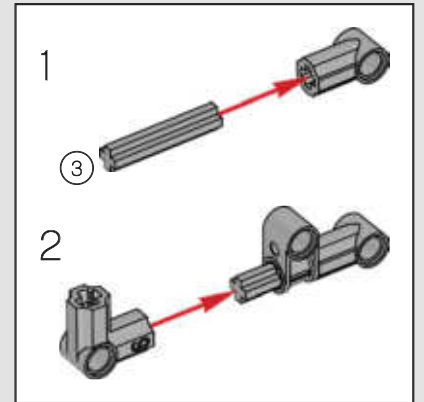
200

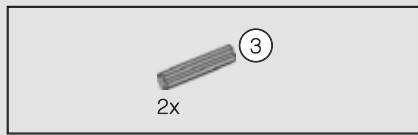


201

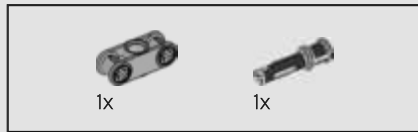
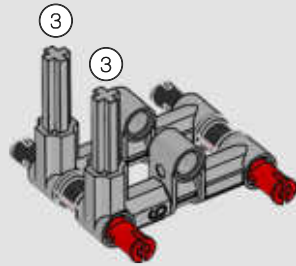


202

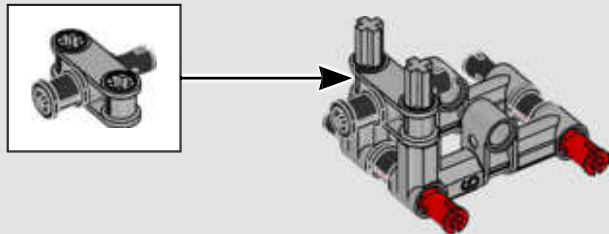




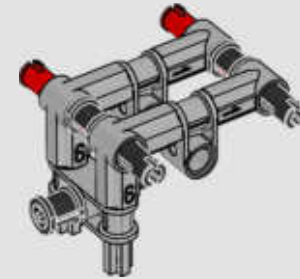
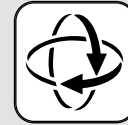
203



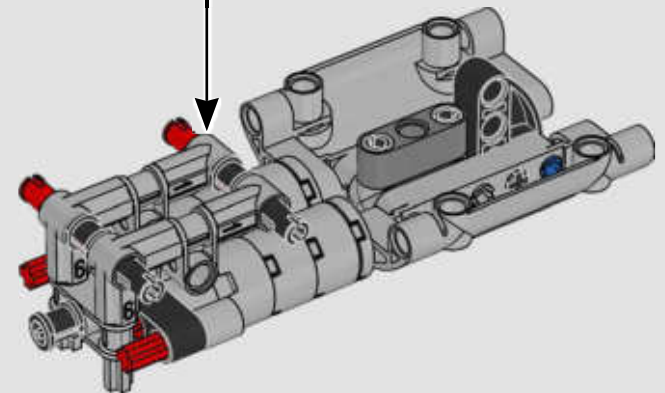
204

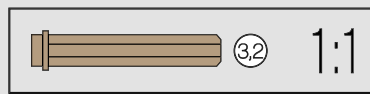


205

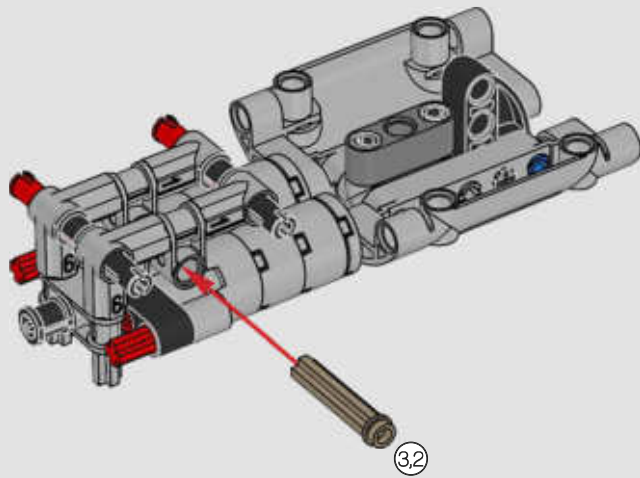


206

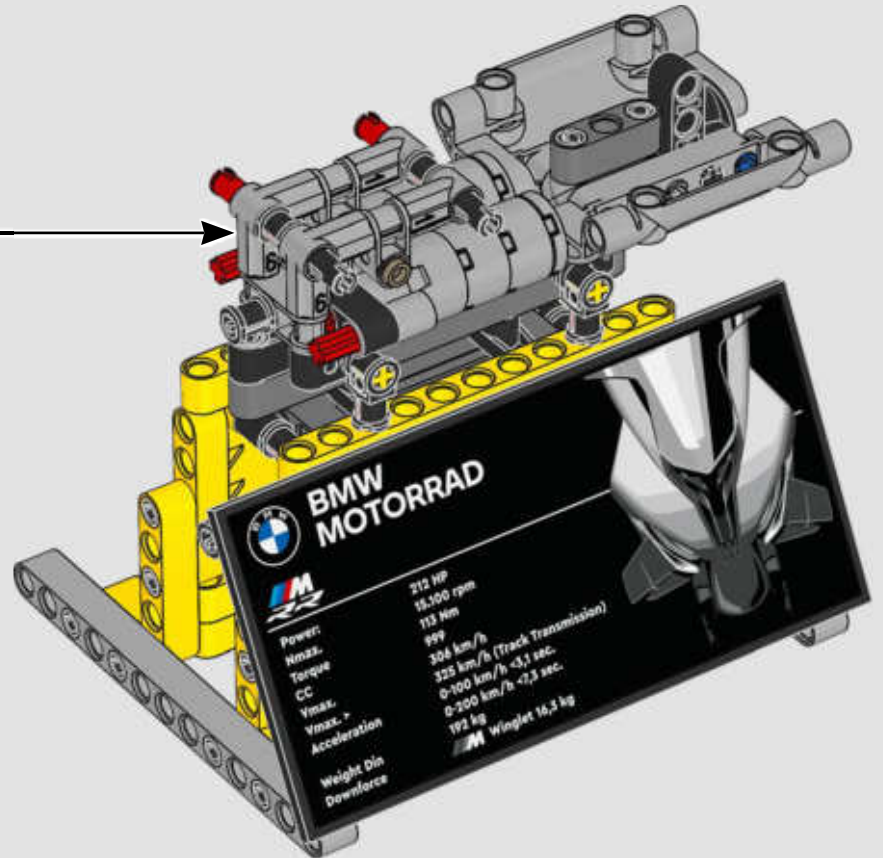


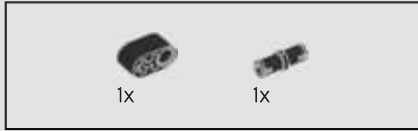


207

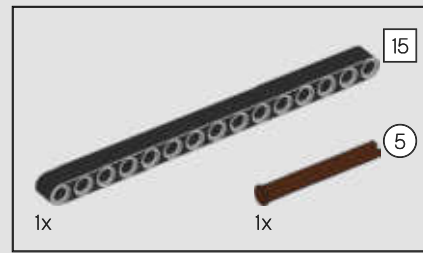


208

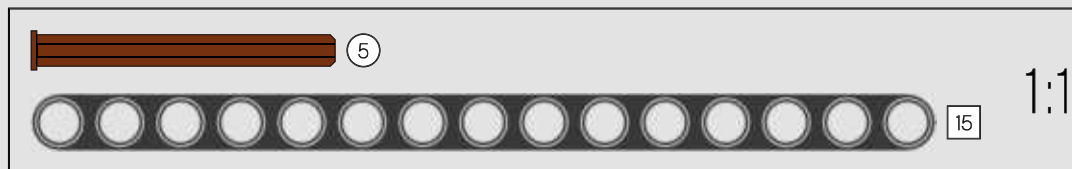
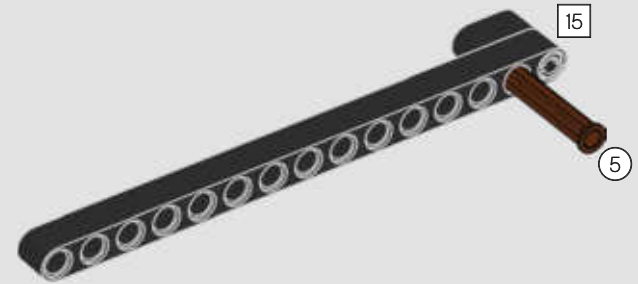


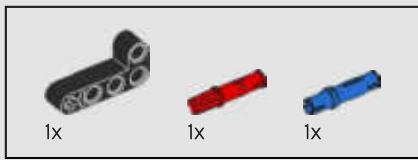


209

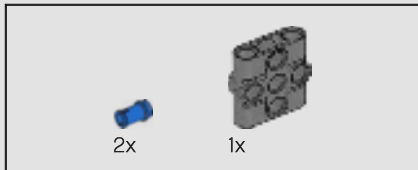
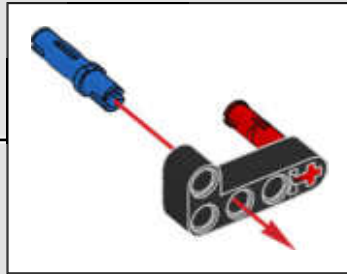
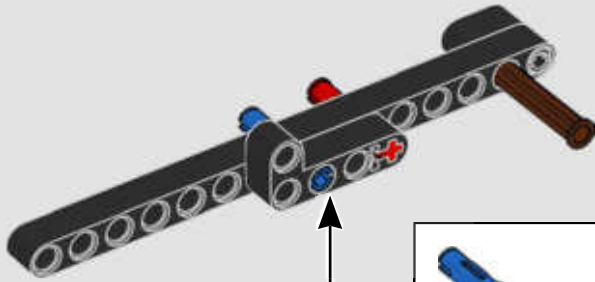


210

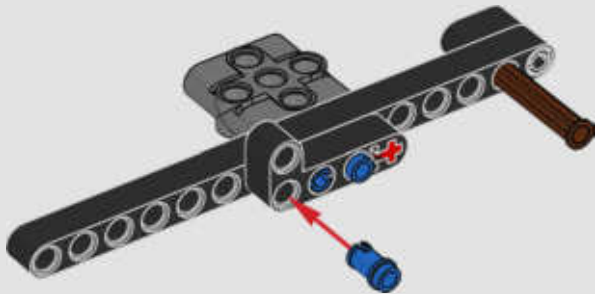




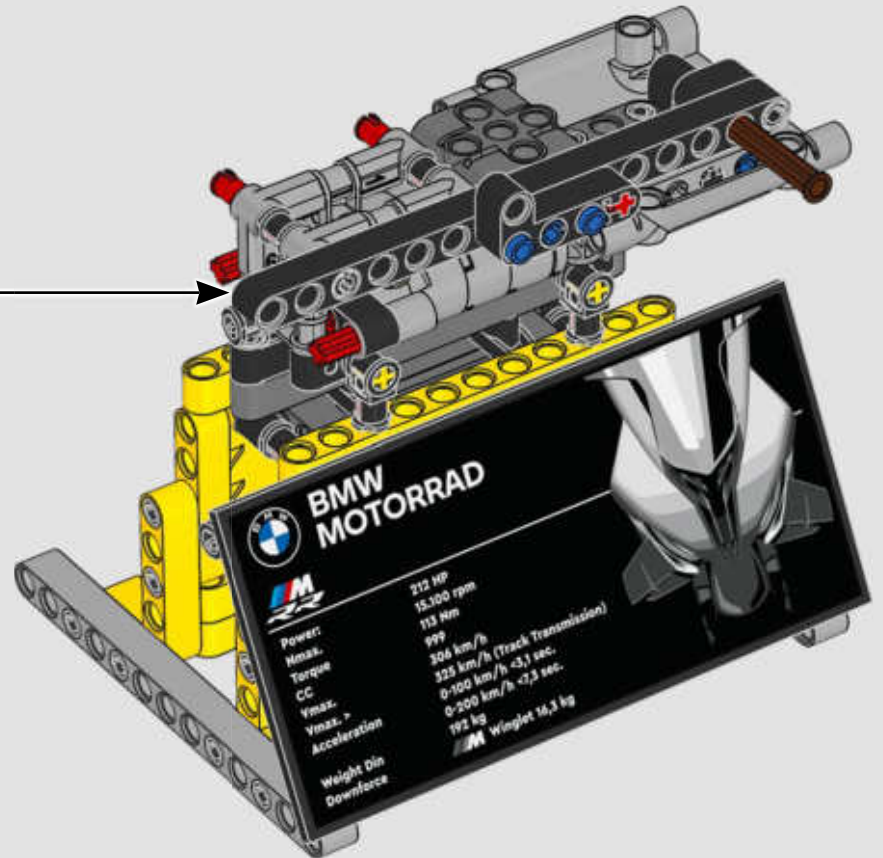
211

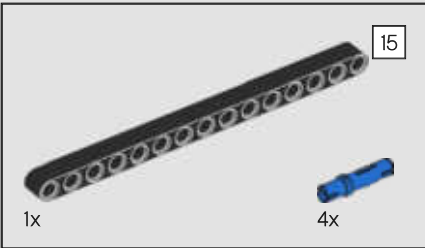
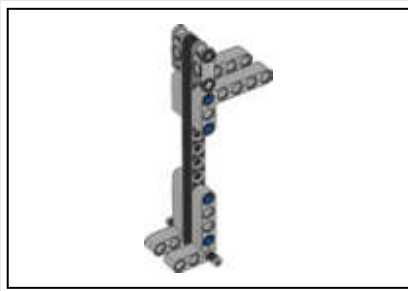


212

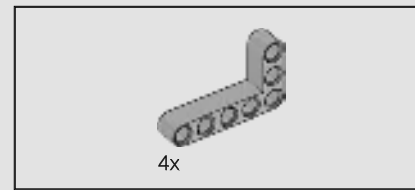
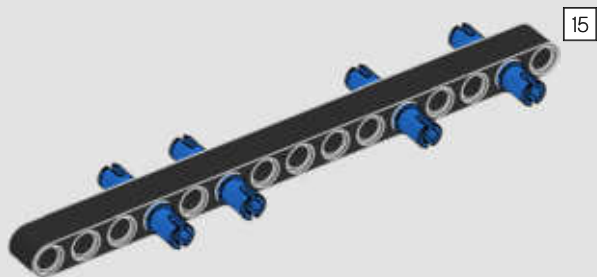


213

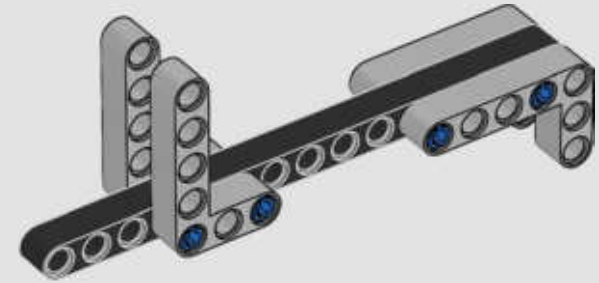




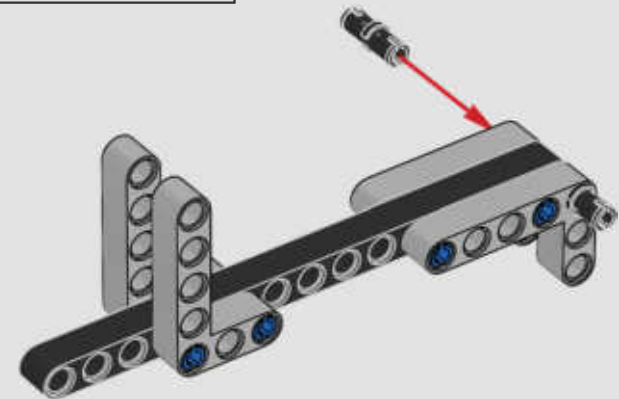
214

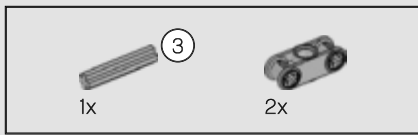


215

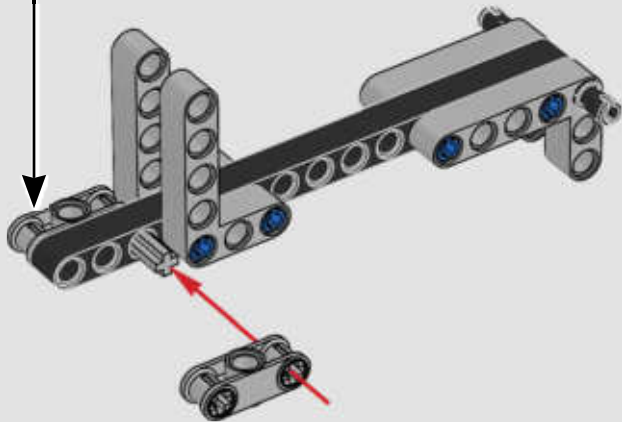
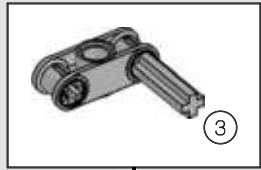


216

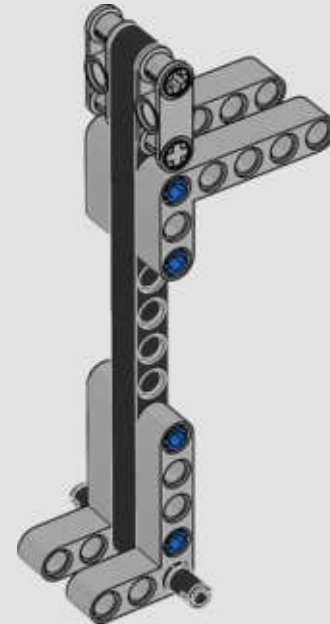
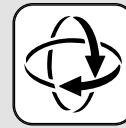




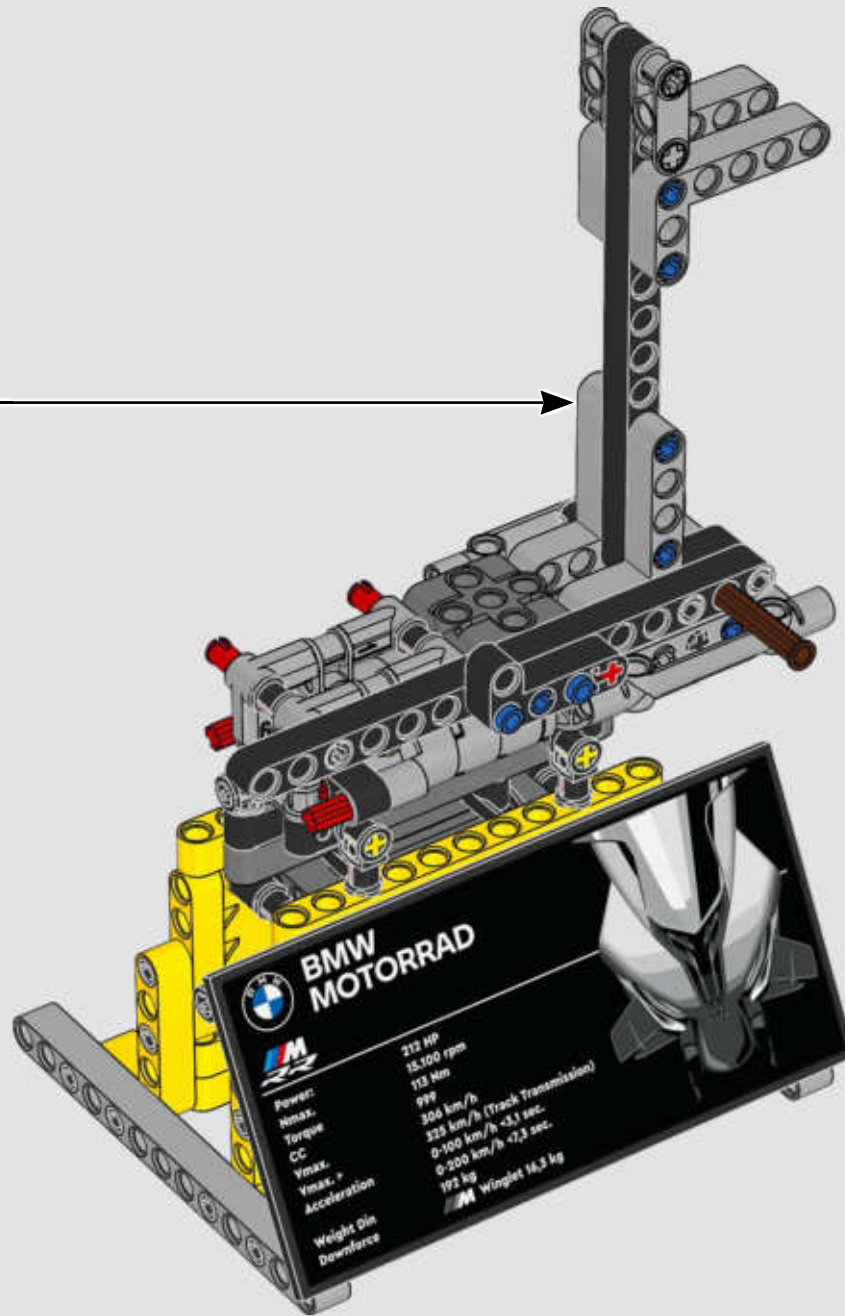
217

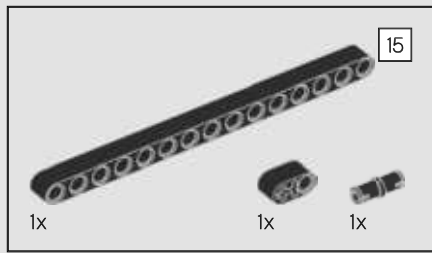


218

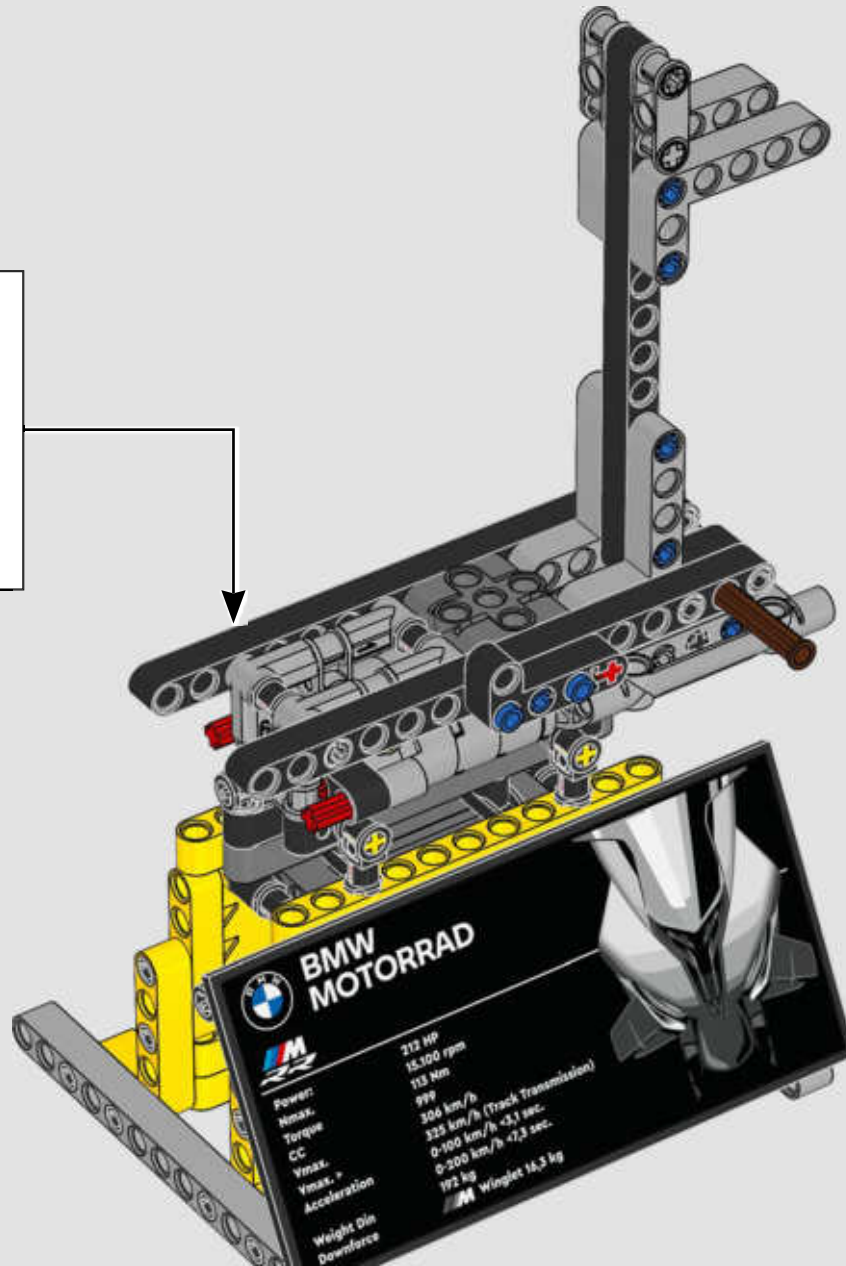


219

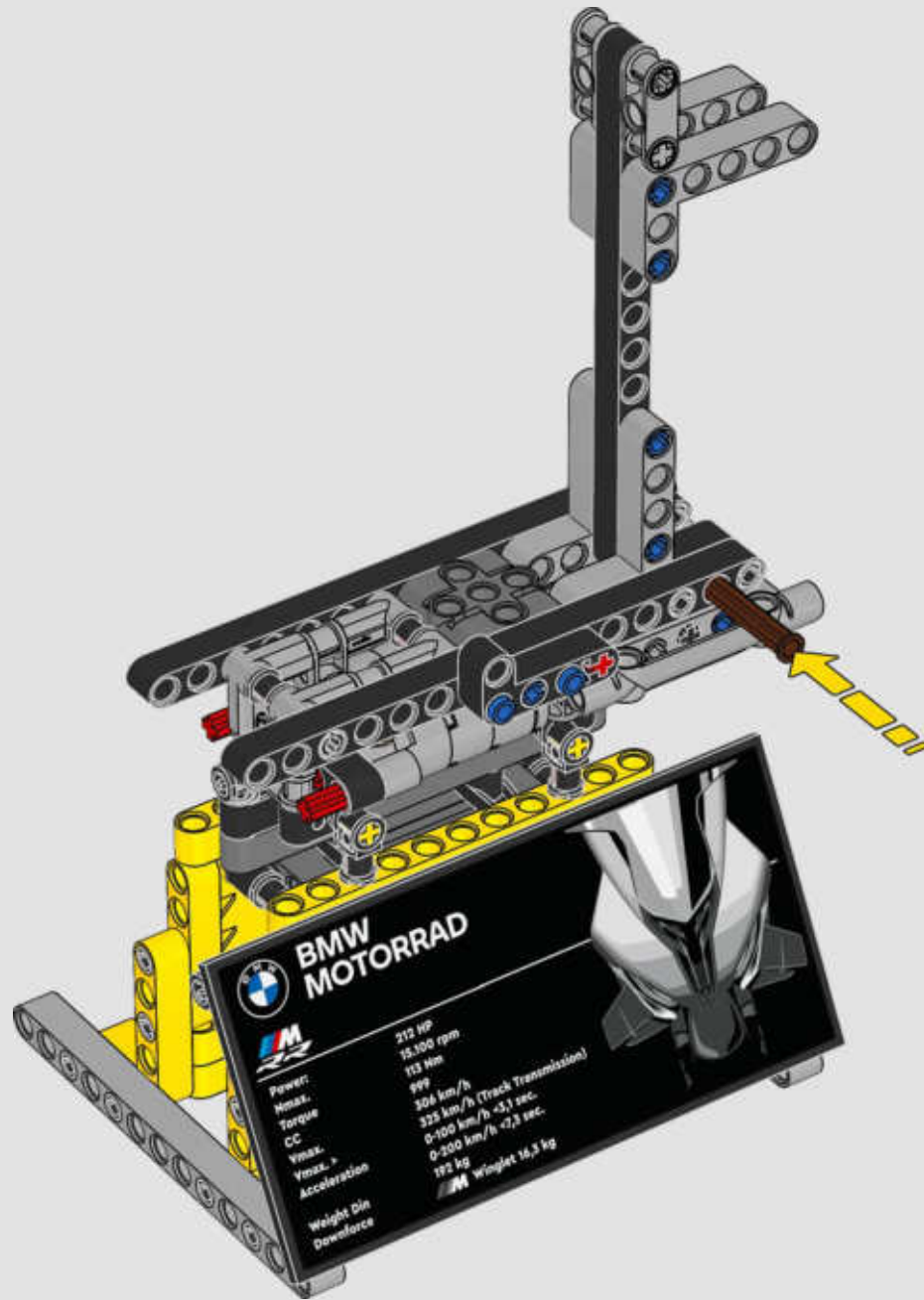


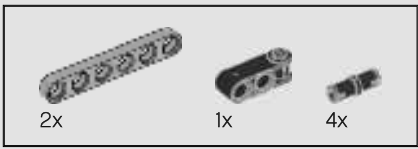


220

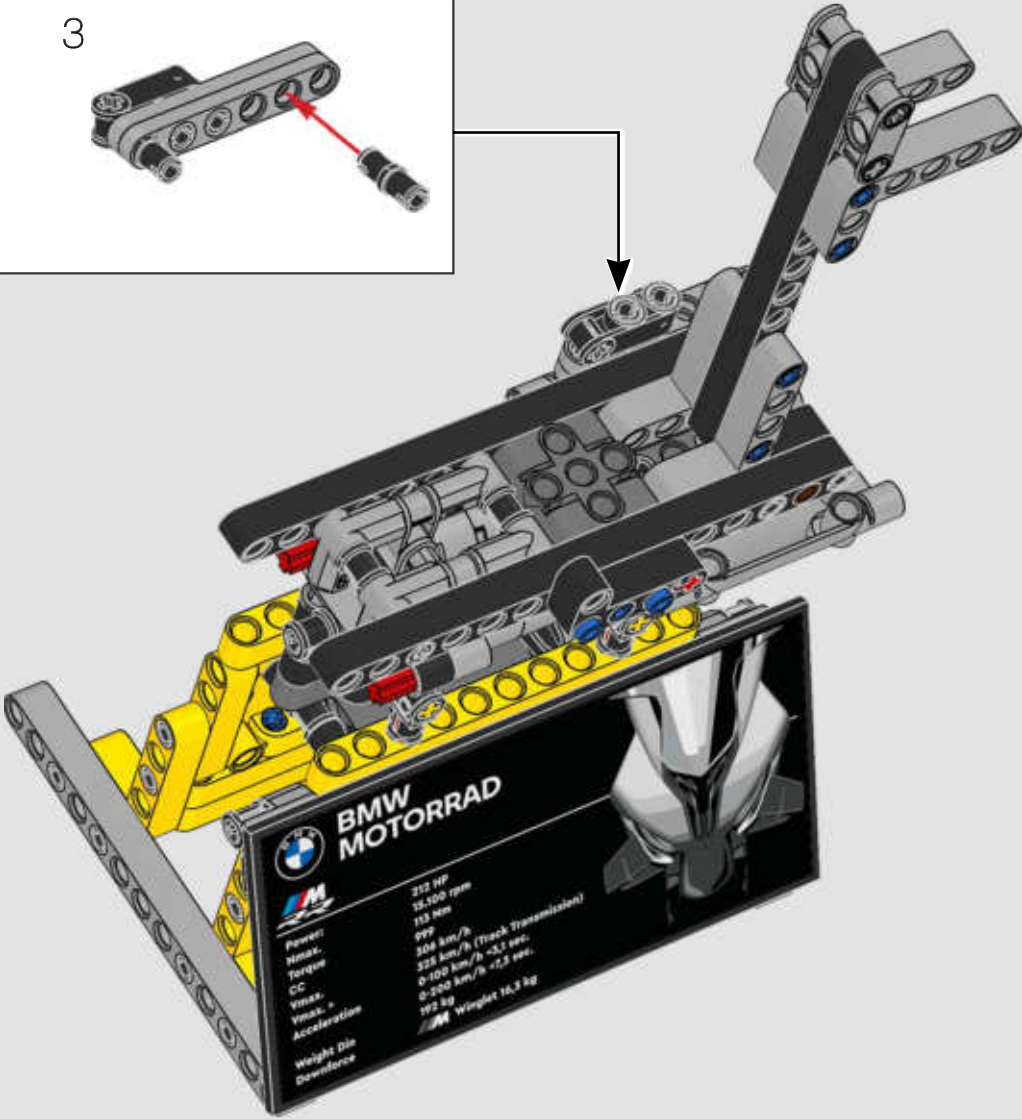
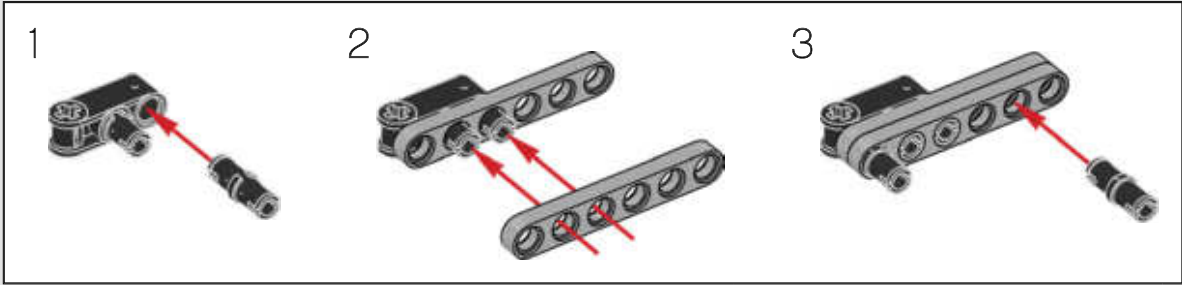


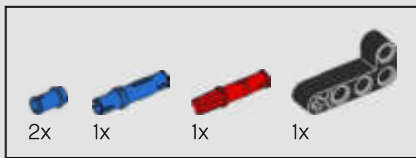
221



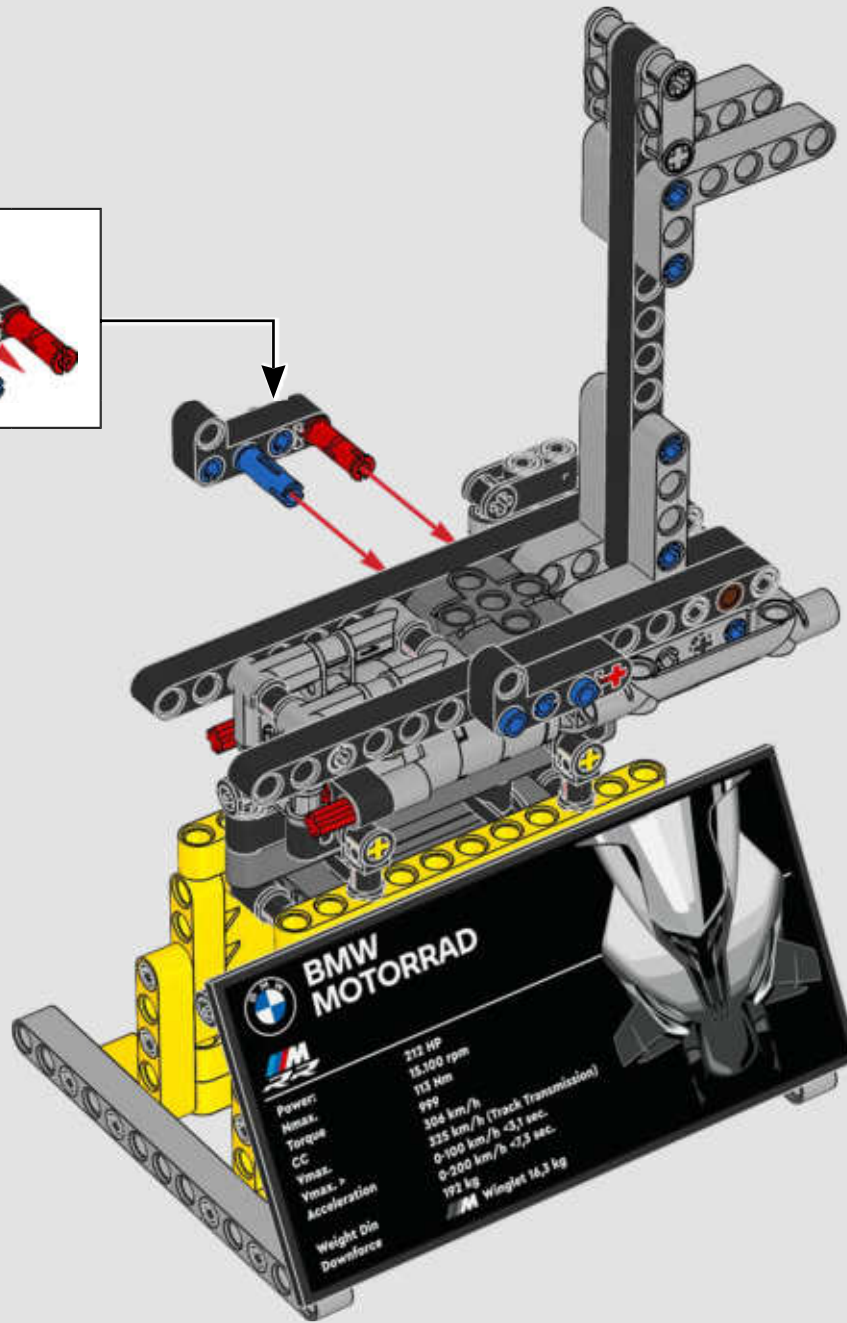
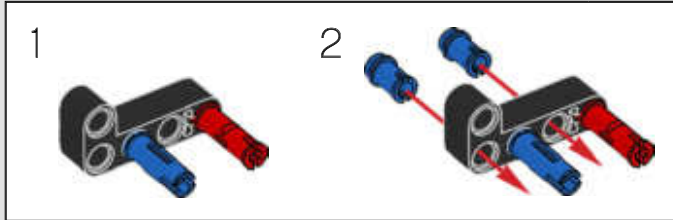


222



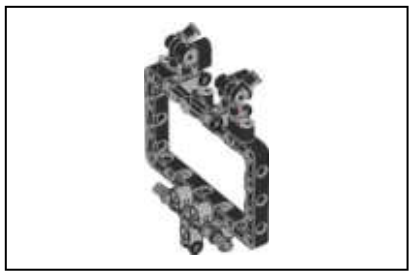


223

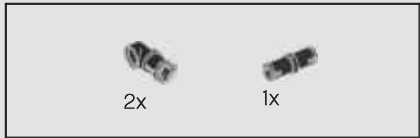


BMW MOTORRAD

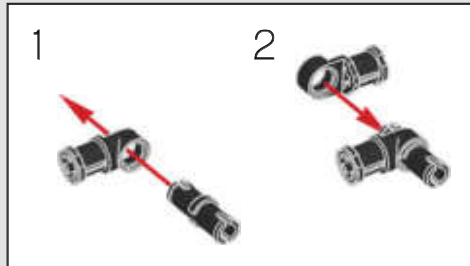
Power:	212 HP
Max. Torque:	15,100 rpm
CC:	113 Nm
Vmax. > Acceleration:	999
Weight Din Downforce:	304 km/h (Track Transmission)
	325 km/h < 3 sec.
	0-100 km/h < 7,3 sec.
	192 kg
	Winglet 16,3 kg



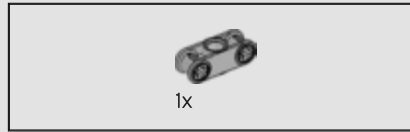
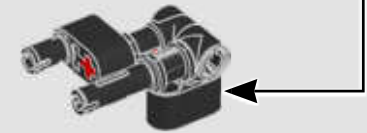
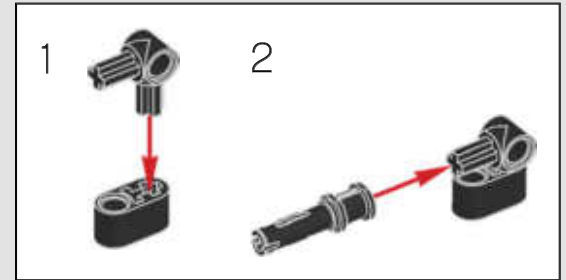
224



225

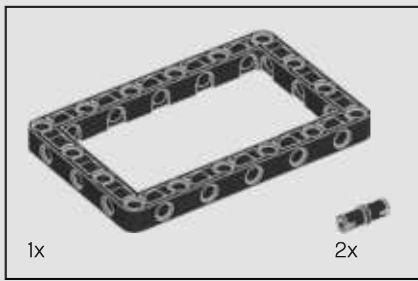


226

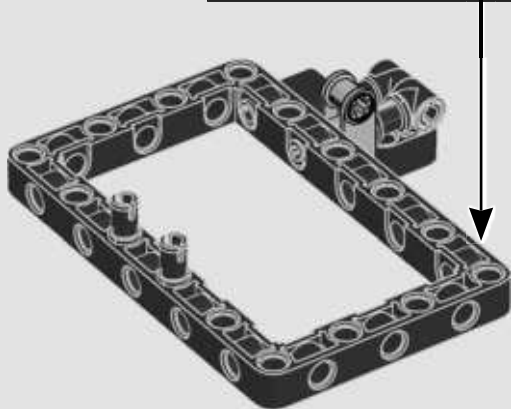
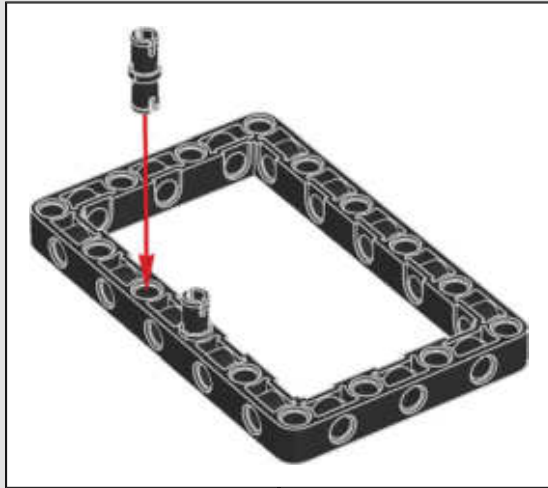


227

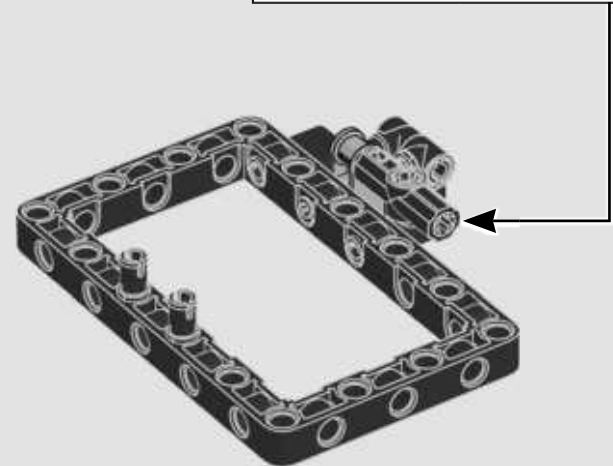
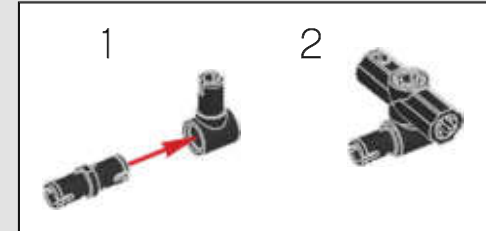




228



229

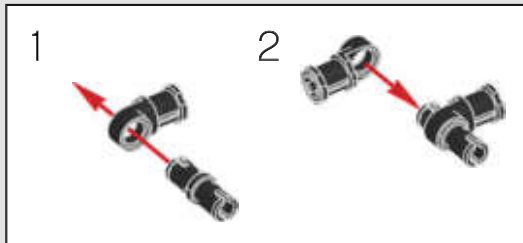




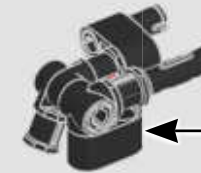
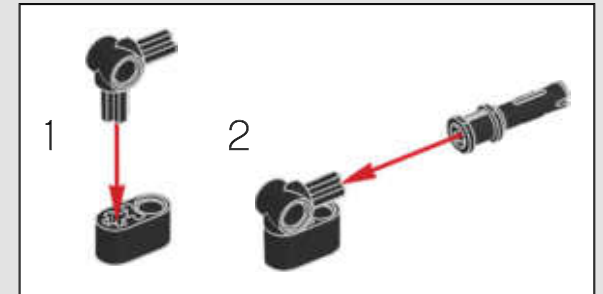
230



231



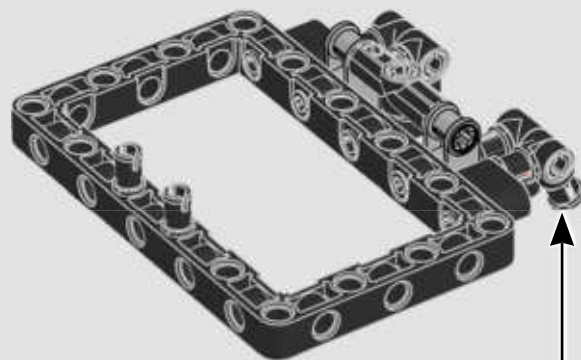
232

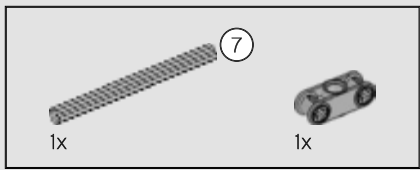


233

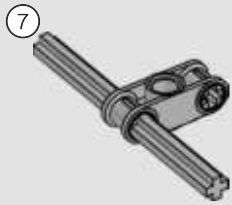


234

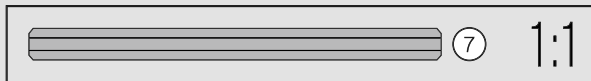
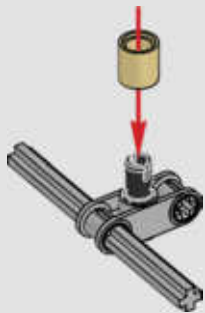




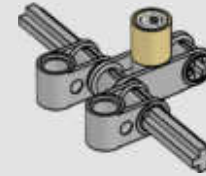
235



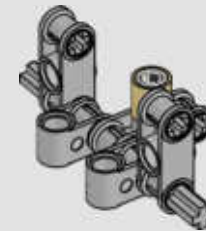
236



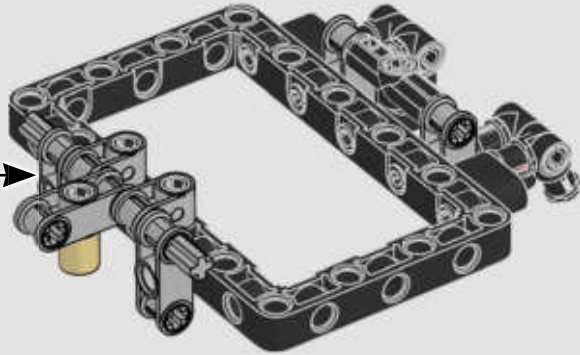
237



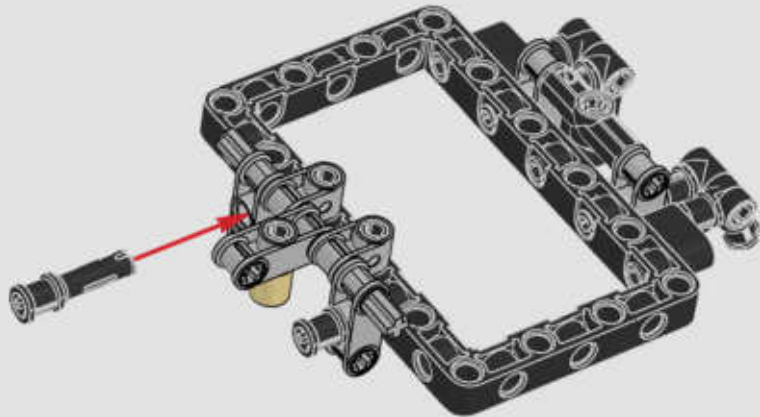
238



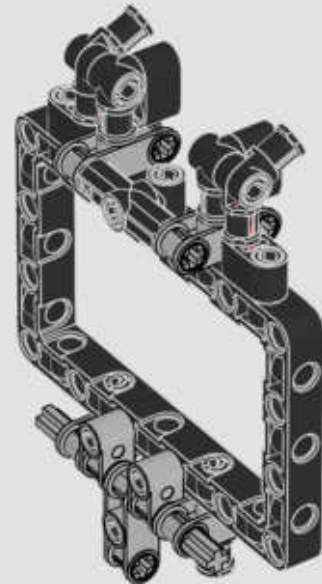
239

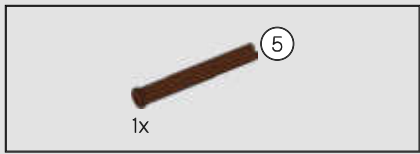


240

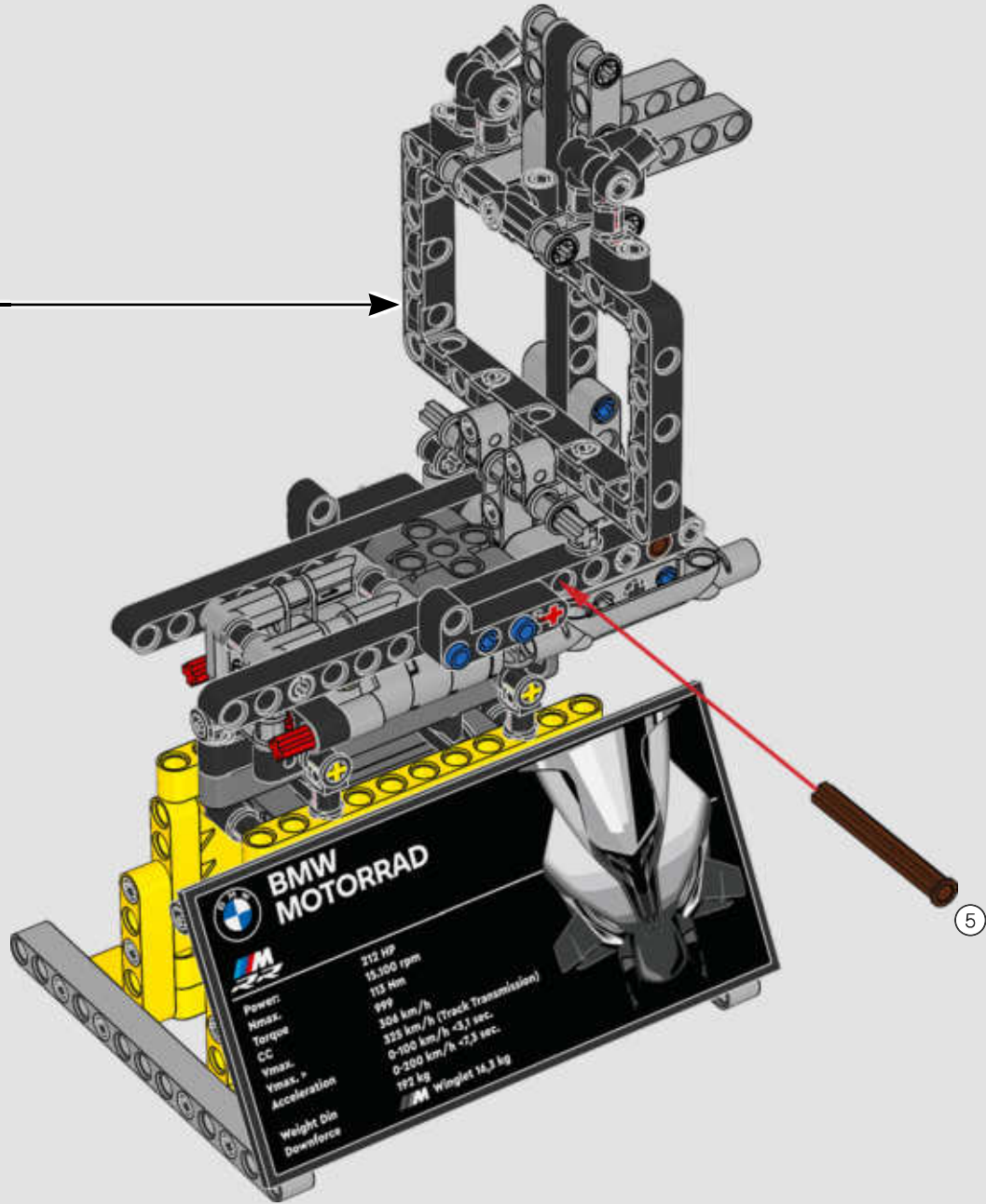


241





242

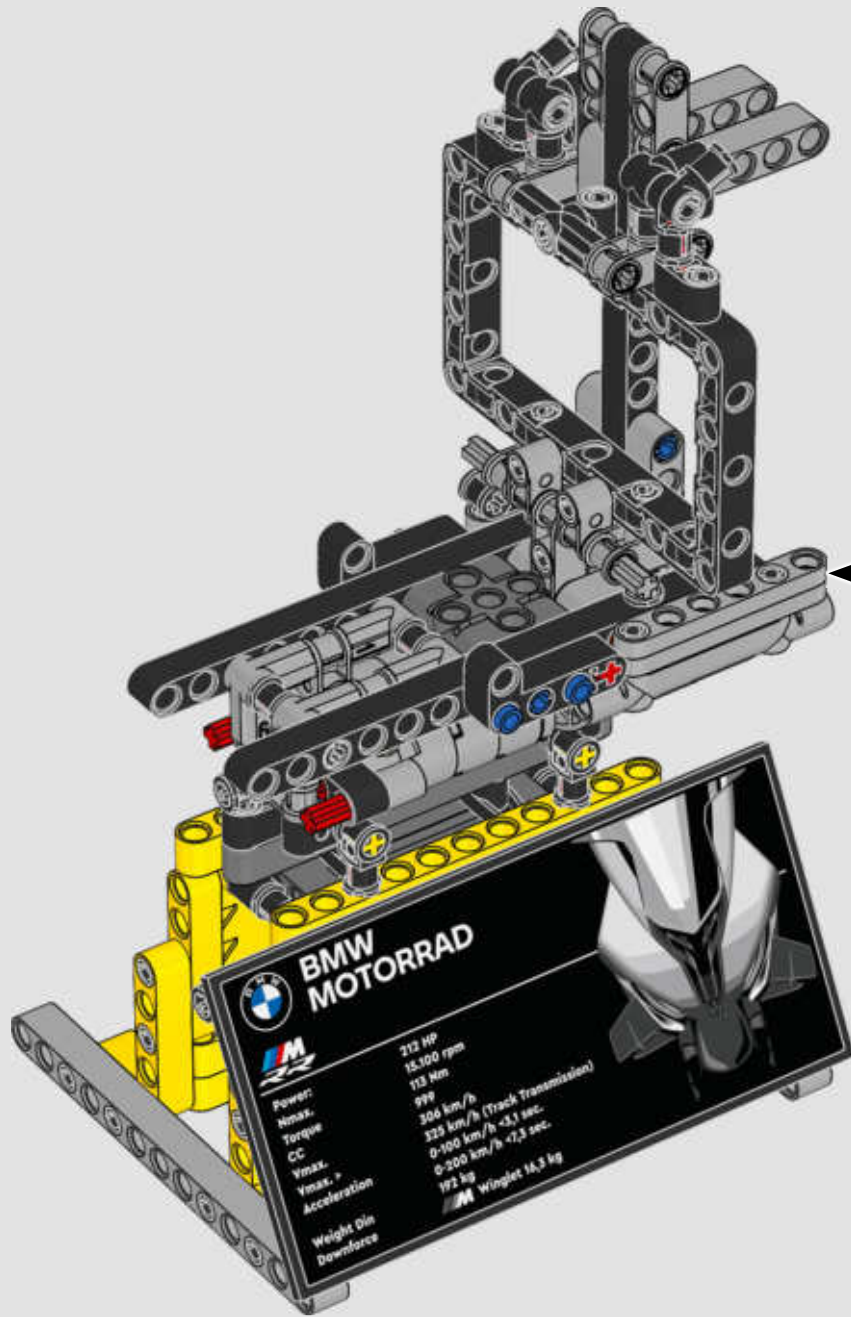




2x

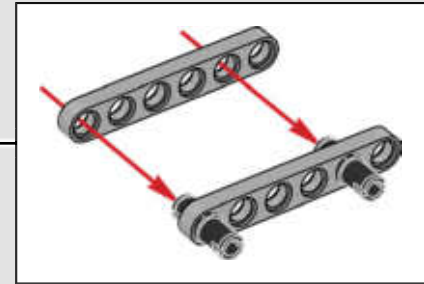
2x

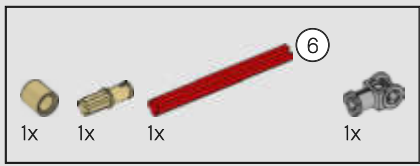
243



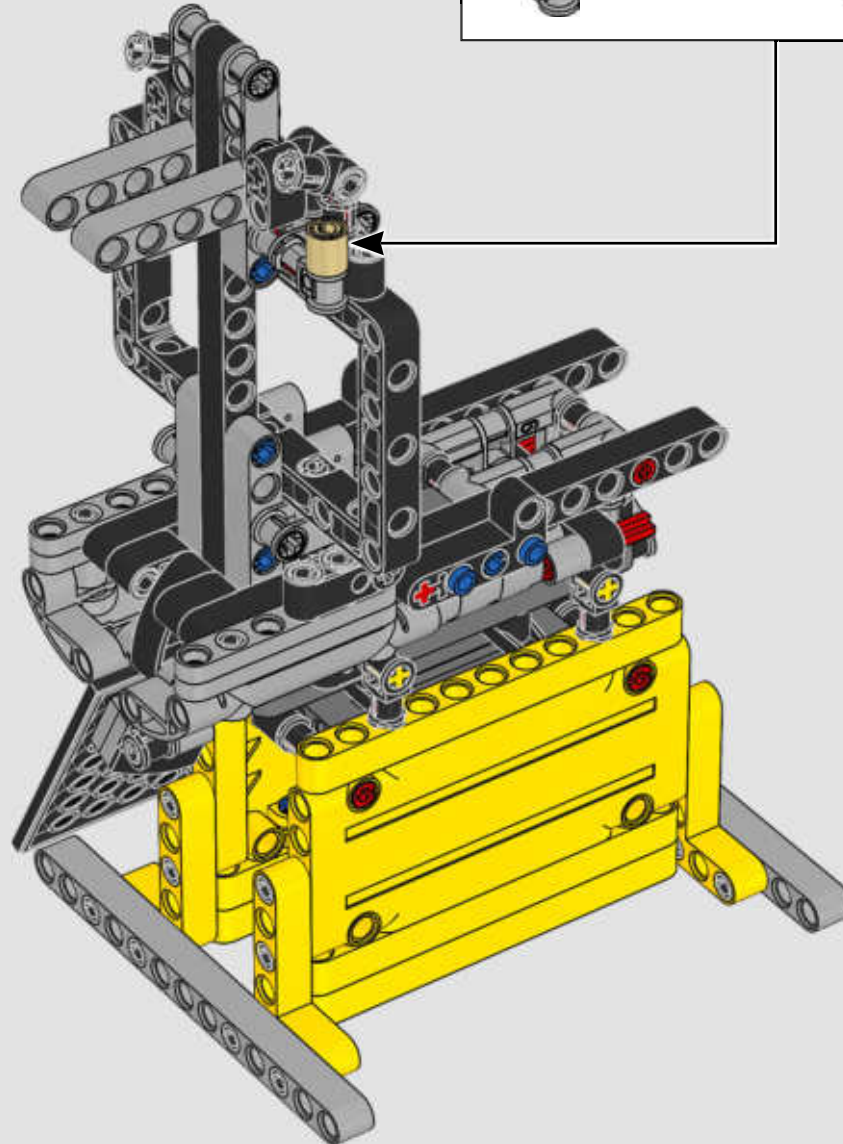
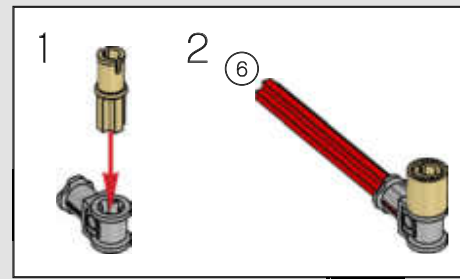
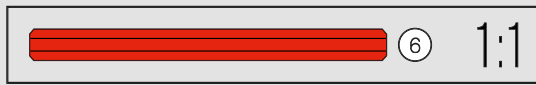
BMW MOTORRAD

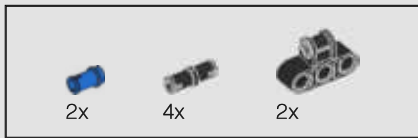
Power:	713 HP
Nmax:	18.100 rpm
Torque:	113 Nm
CC	999
Vmax:	306 km/h
Acceleration	323 km/h (Track Transmission)
Weight Dis	0-100 km/h < 5,1 sec.
Downforce	0-200 km/h < 7,3 sec.
	192 kg
	Winglet 14,3 kg



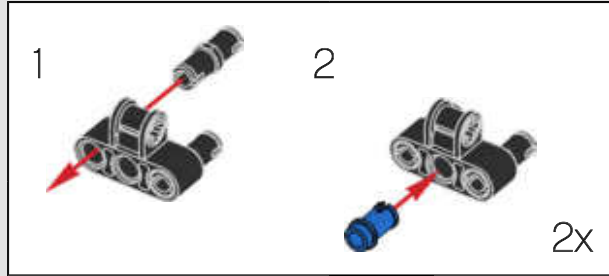
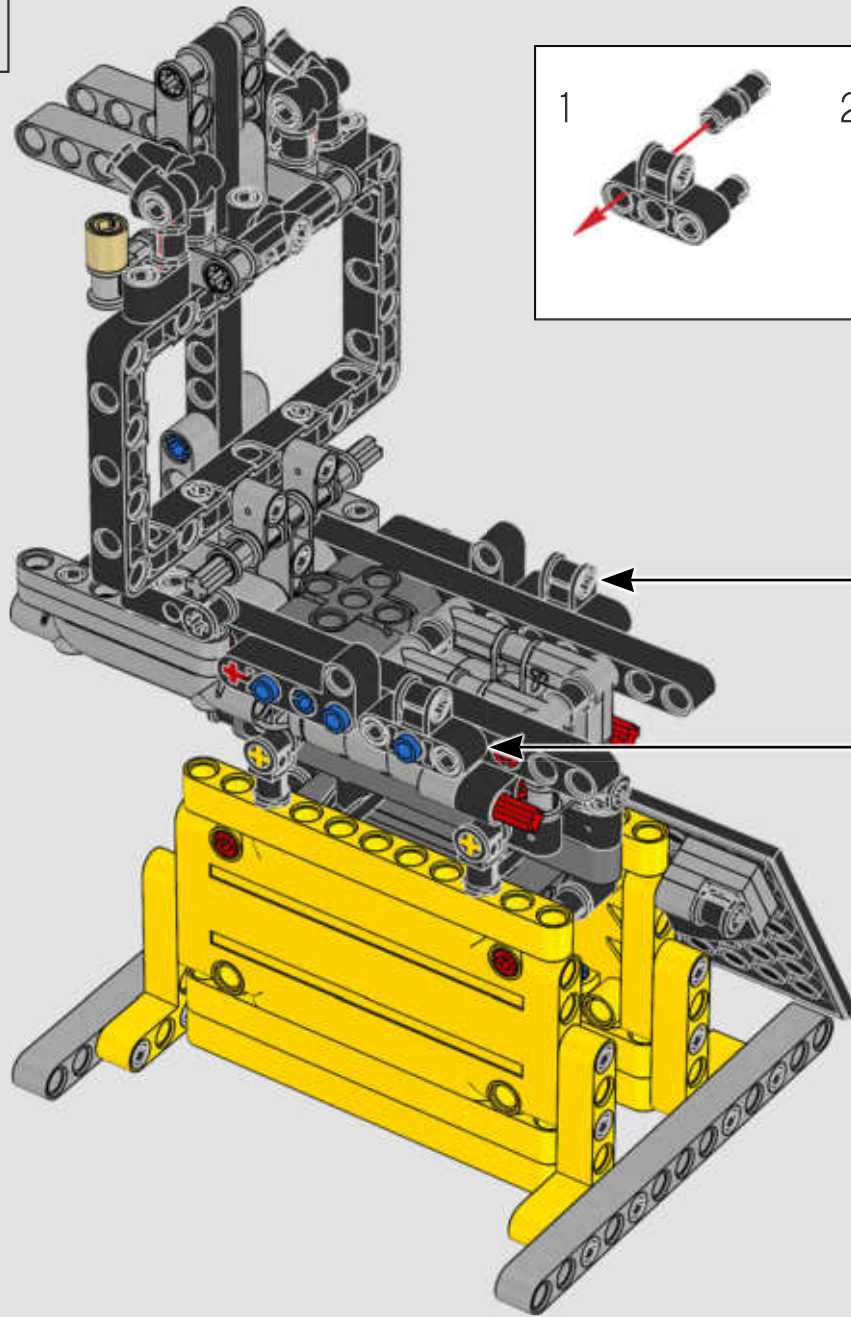


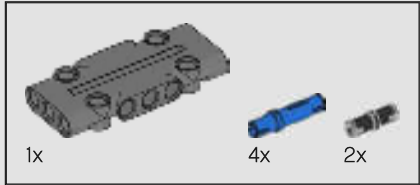
244



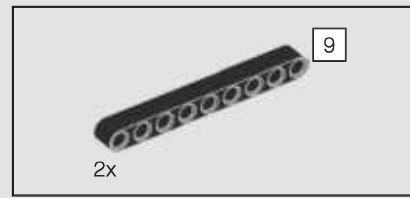
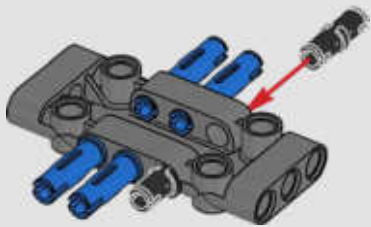


245

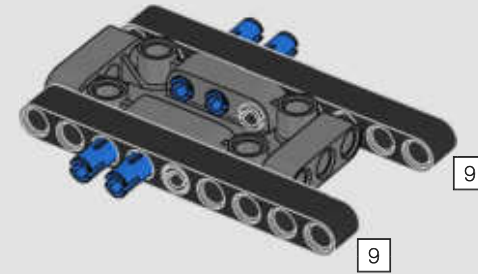




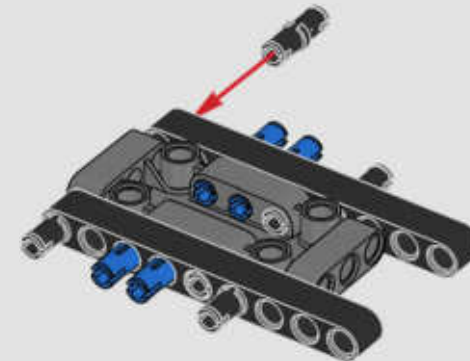
246

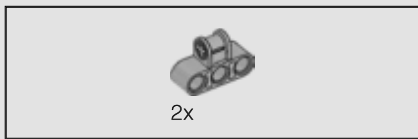


247

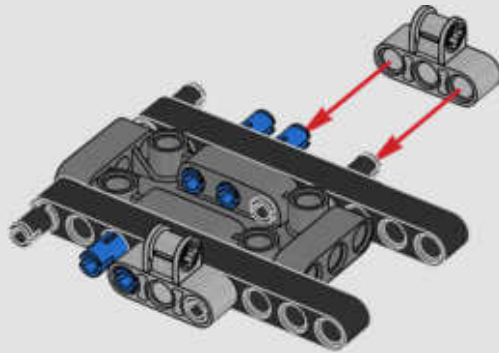


248

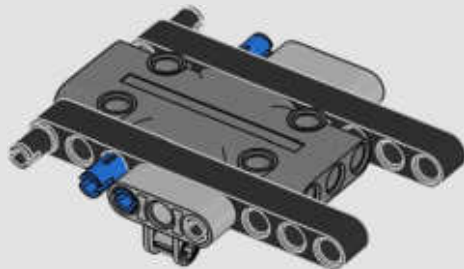




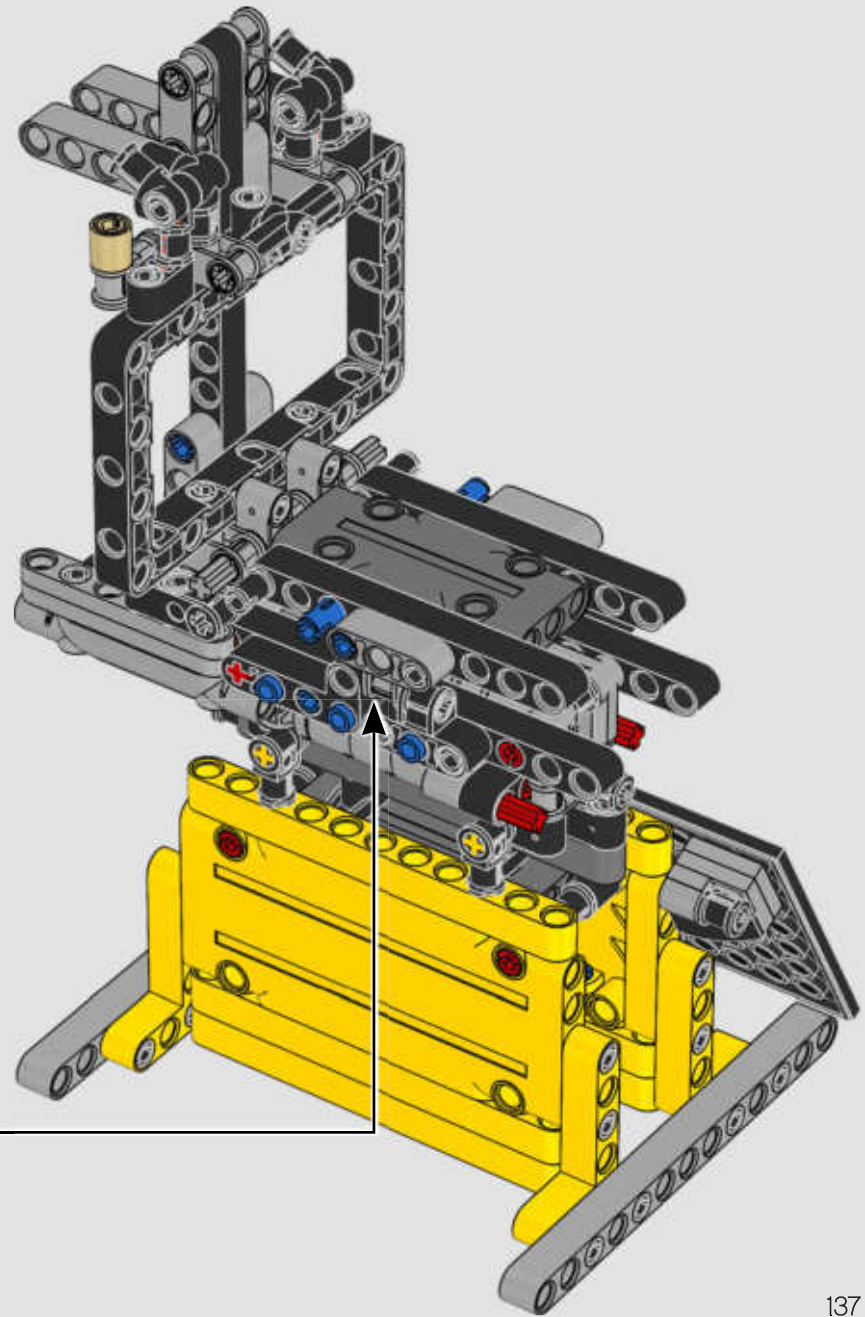
249



250

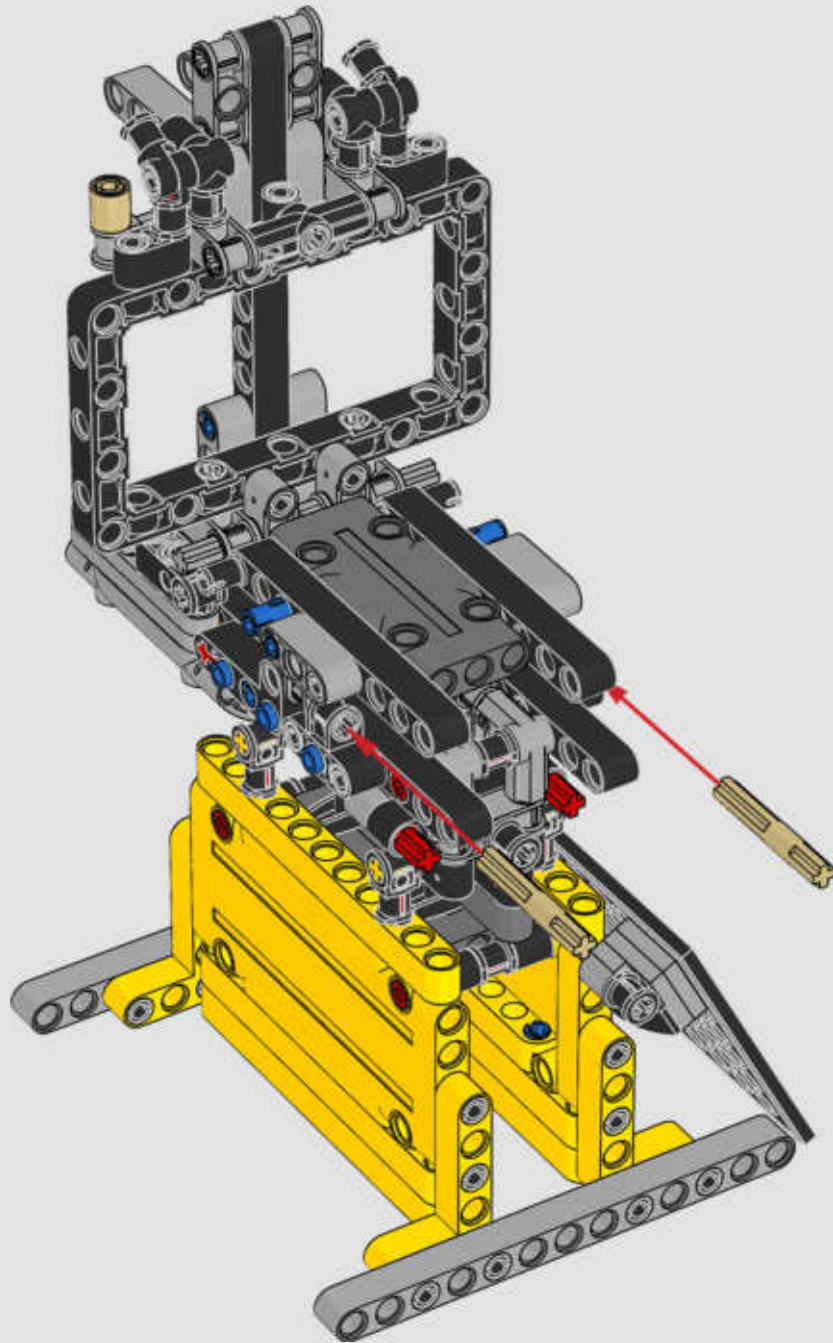


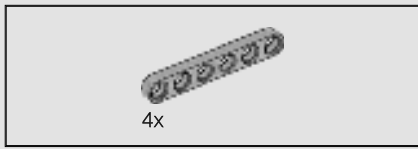
251



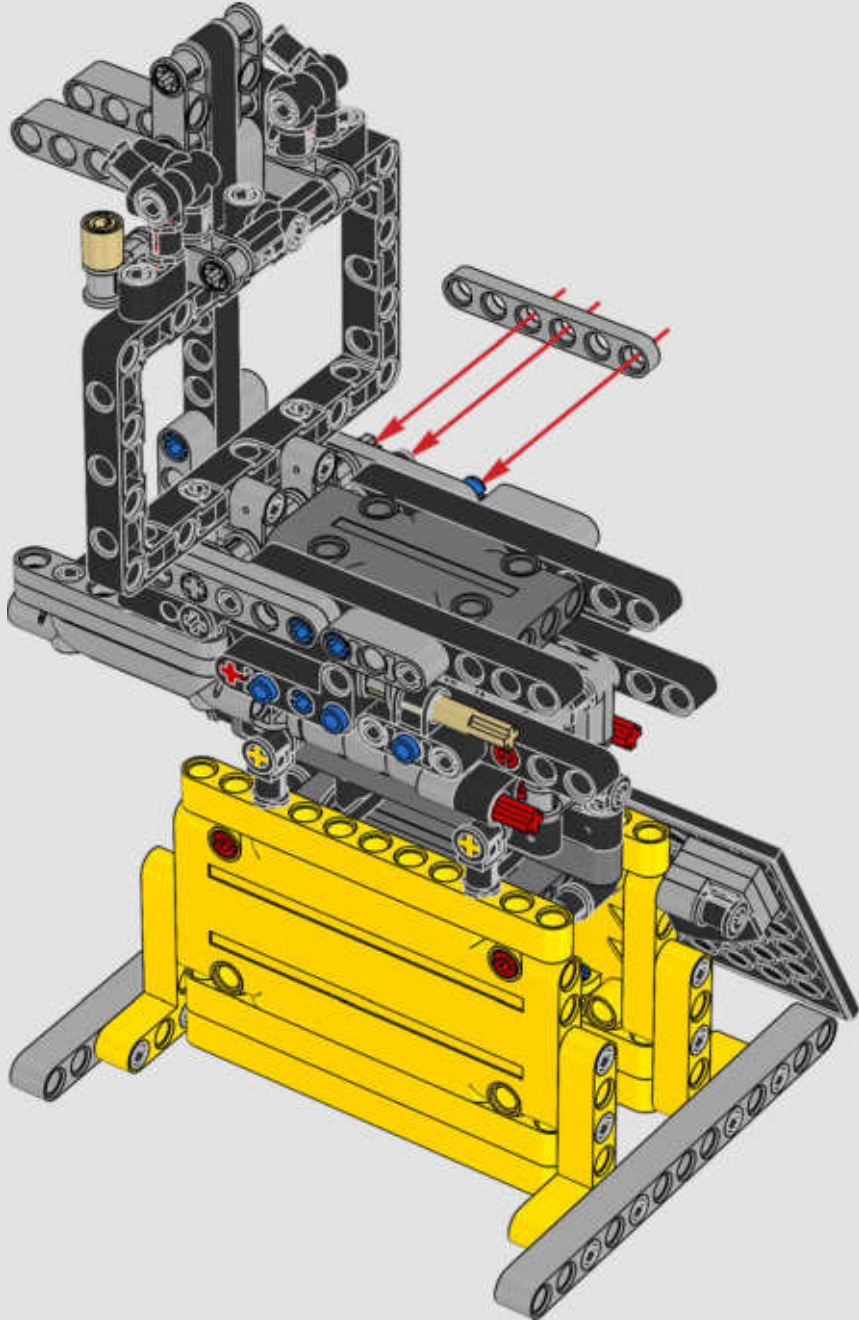


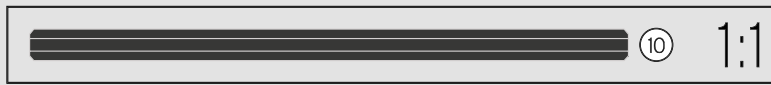
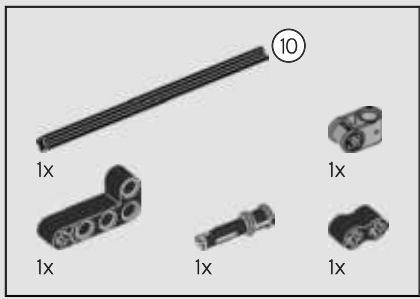
252



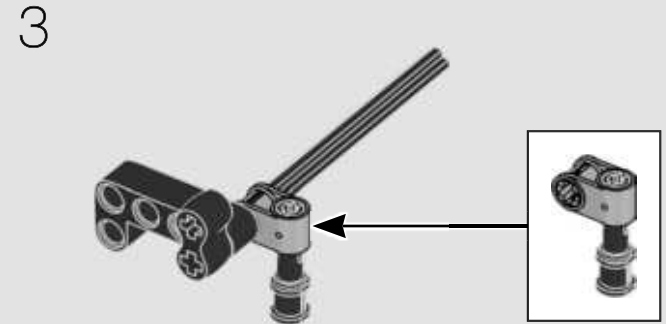
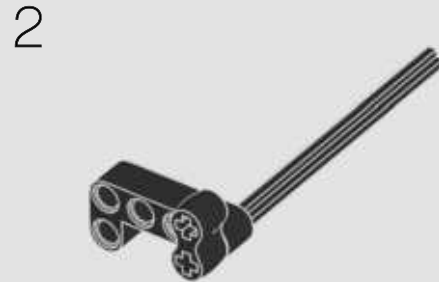


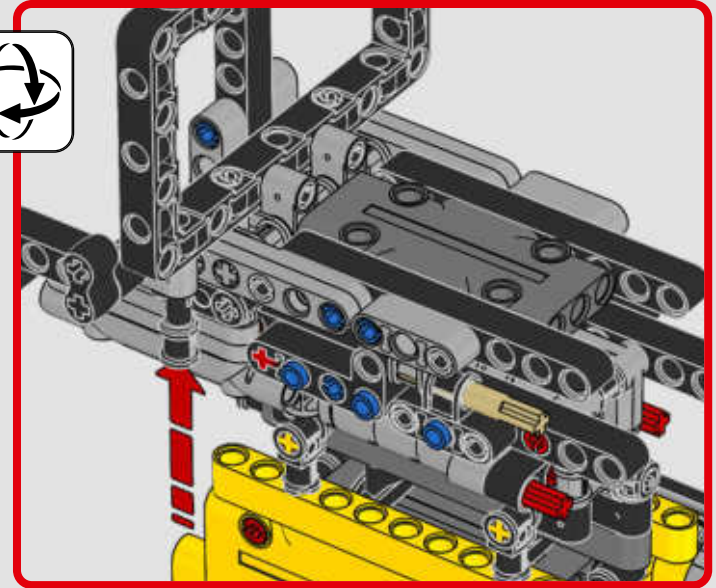
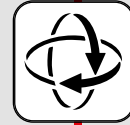
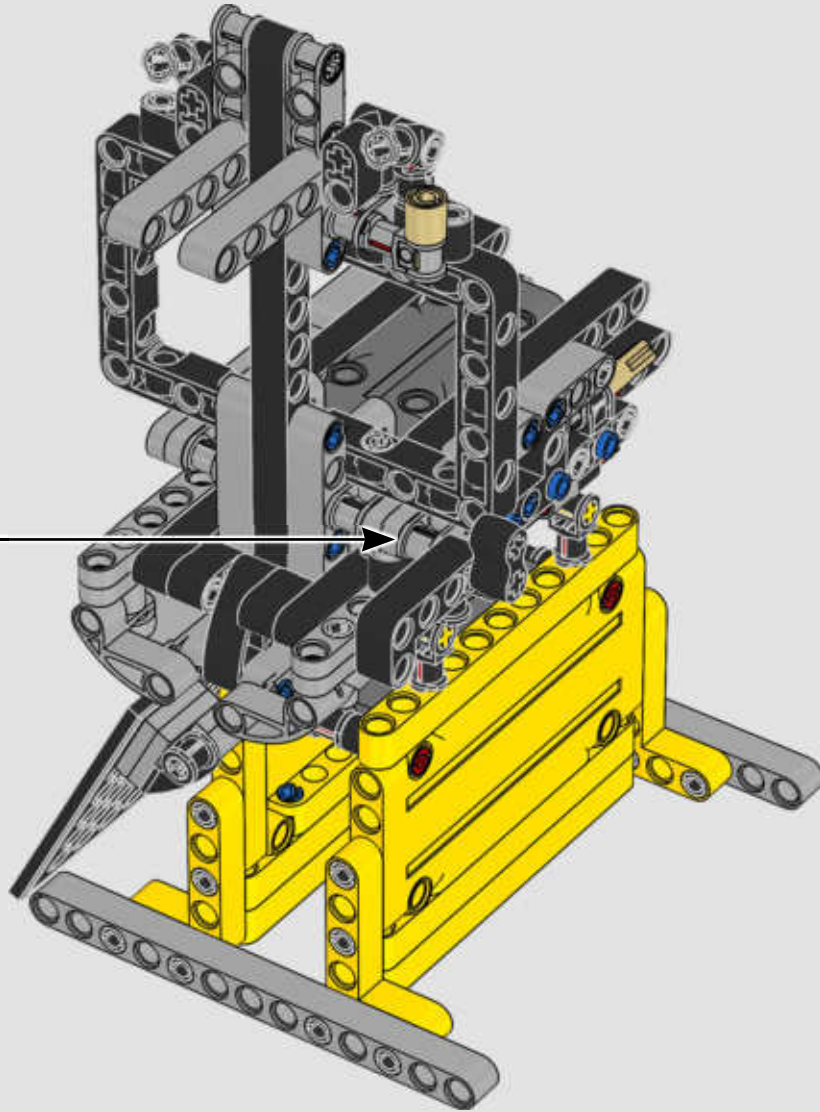
253

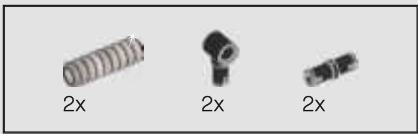




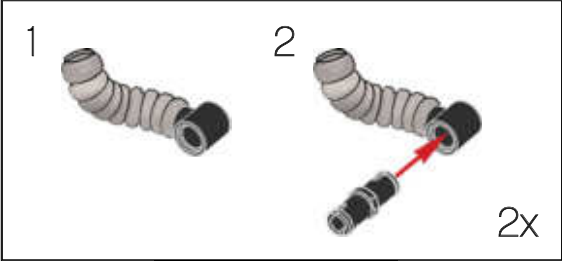
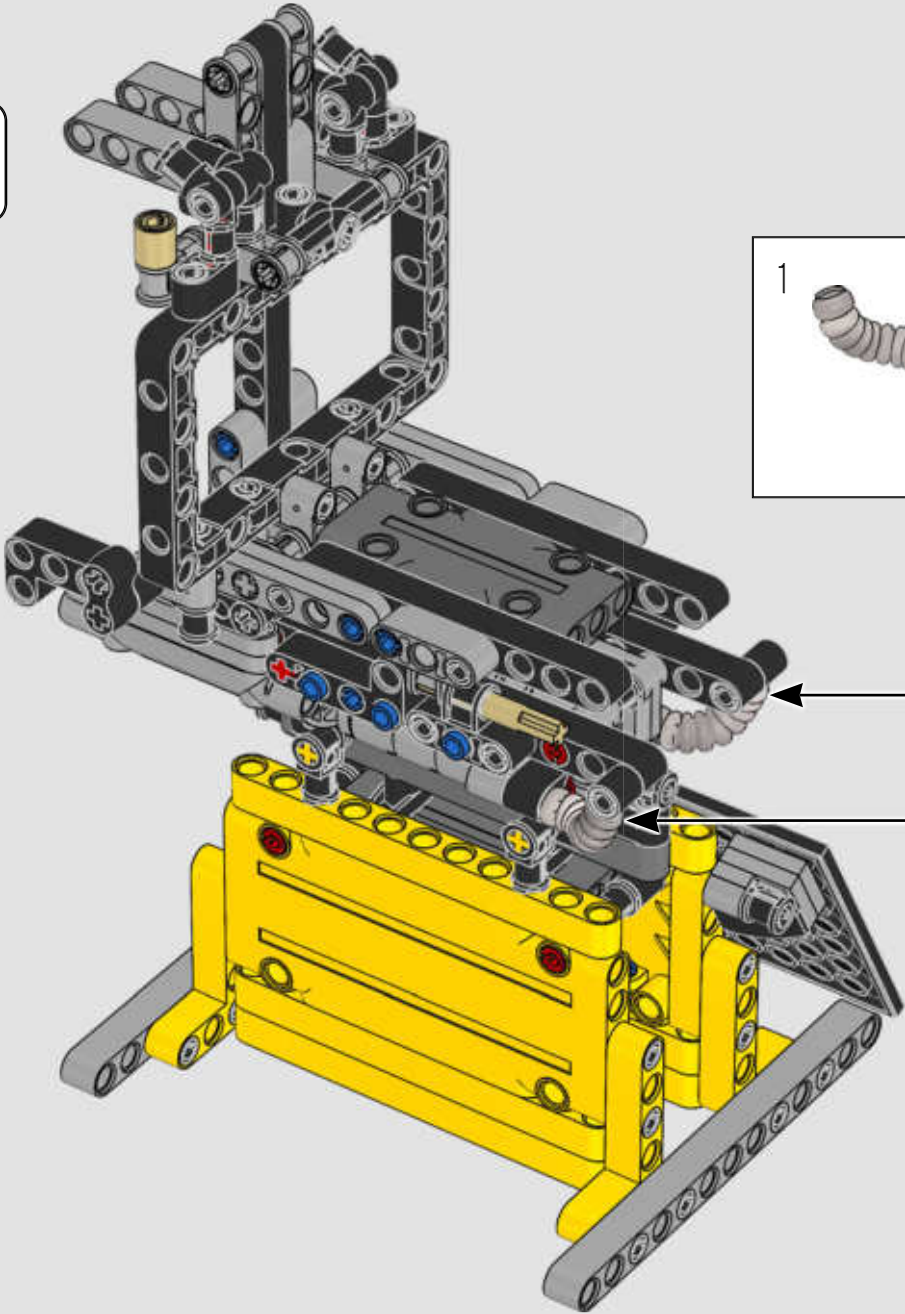
254

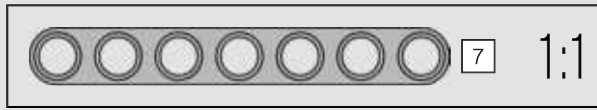
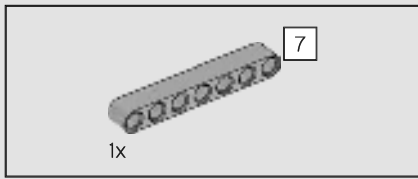




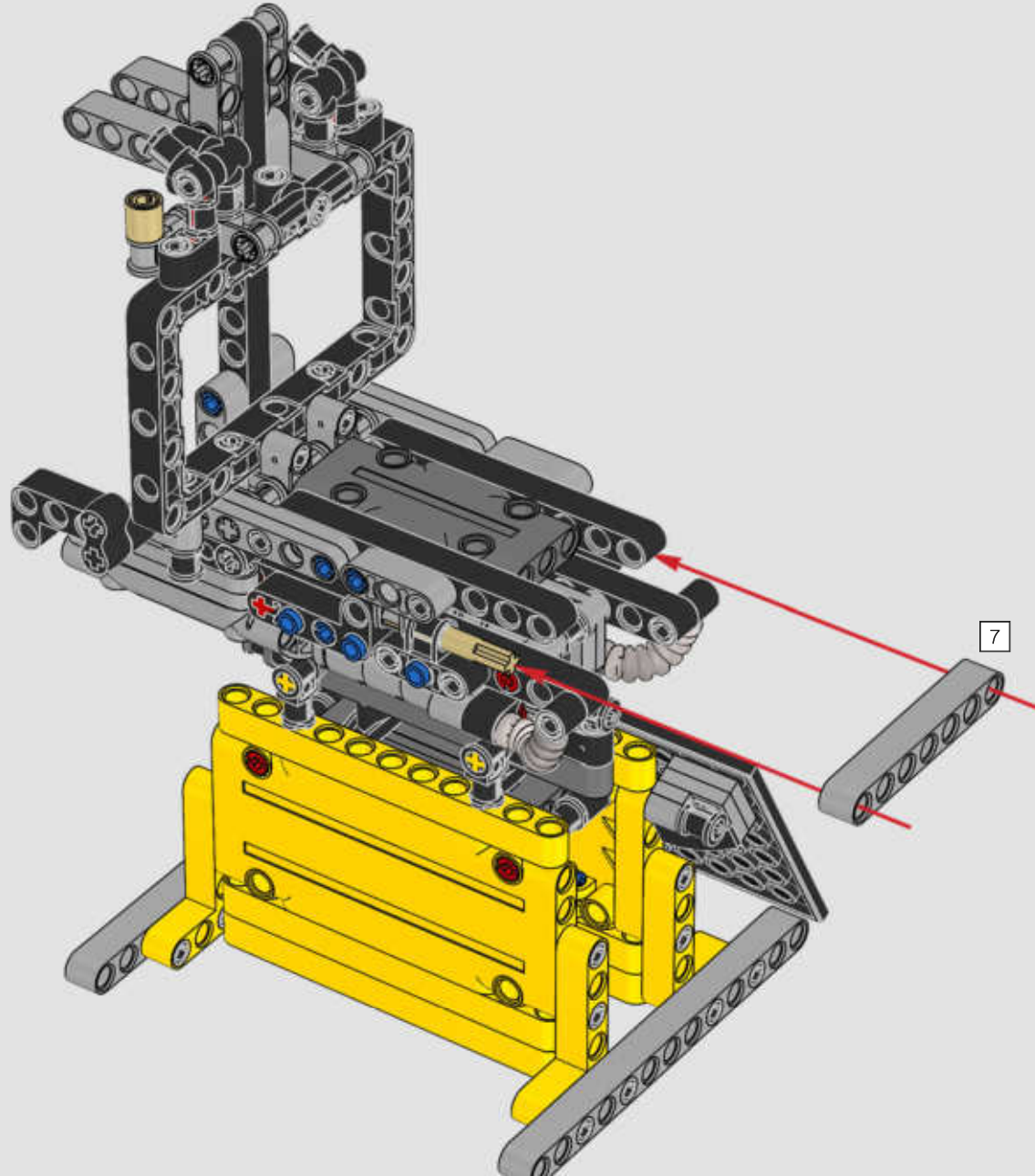


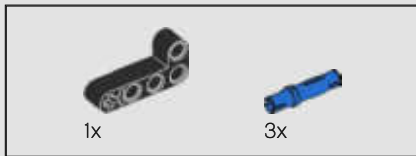
255



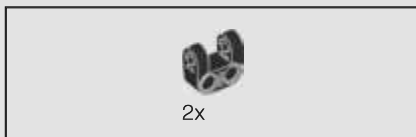
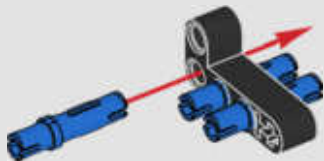


256

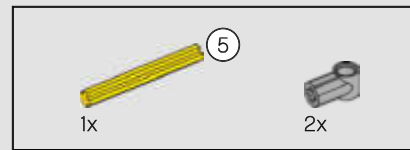
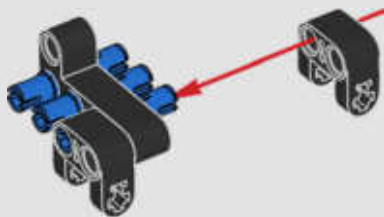




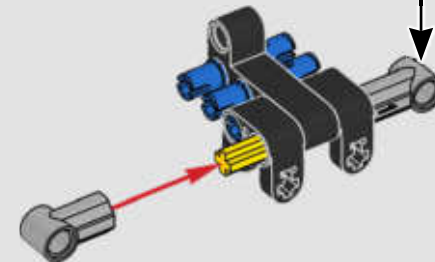
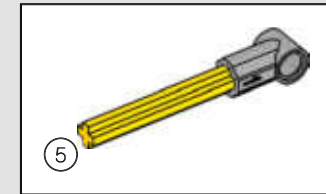
257



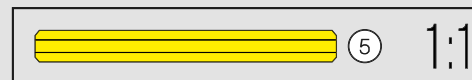
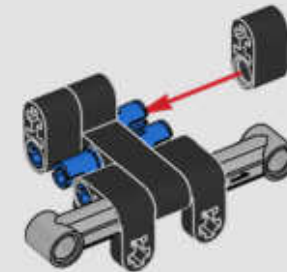
258



259

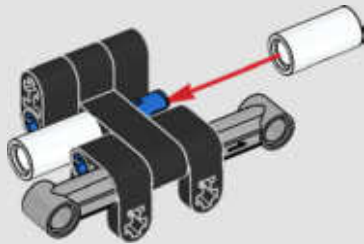


260

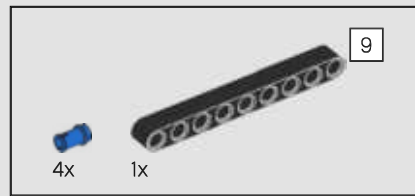
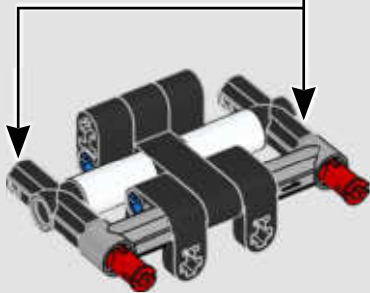
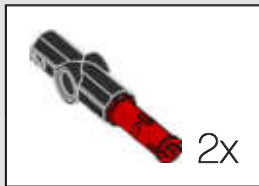




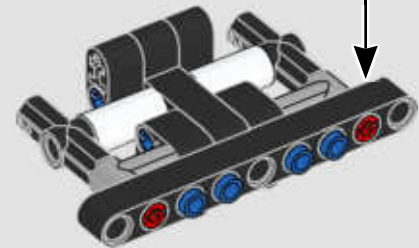
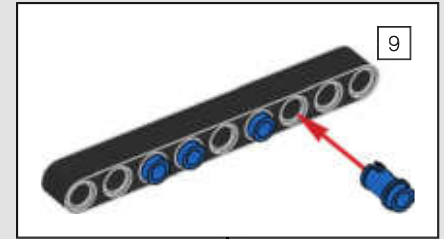
261



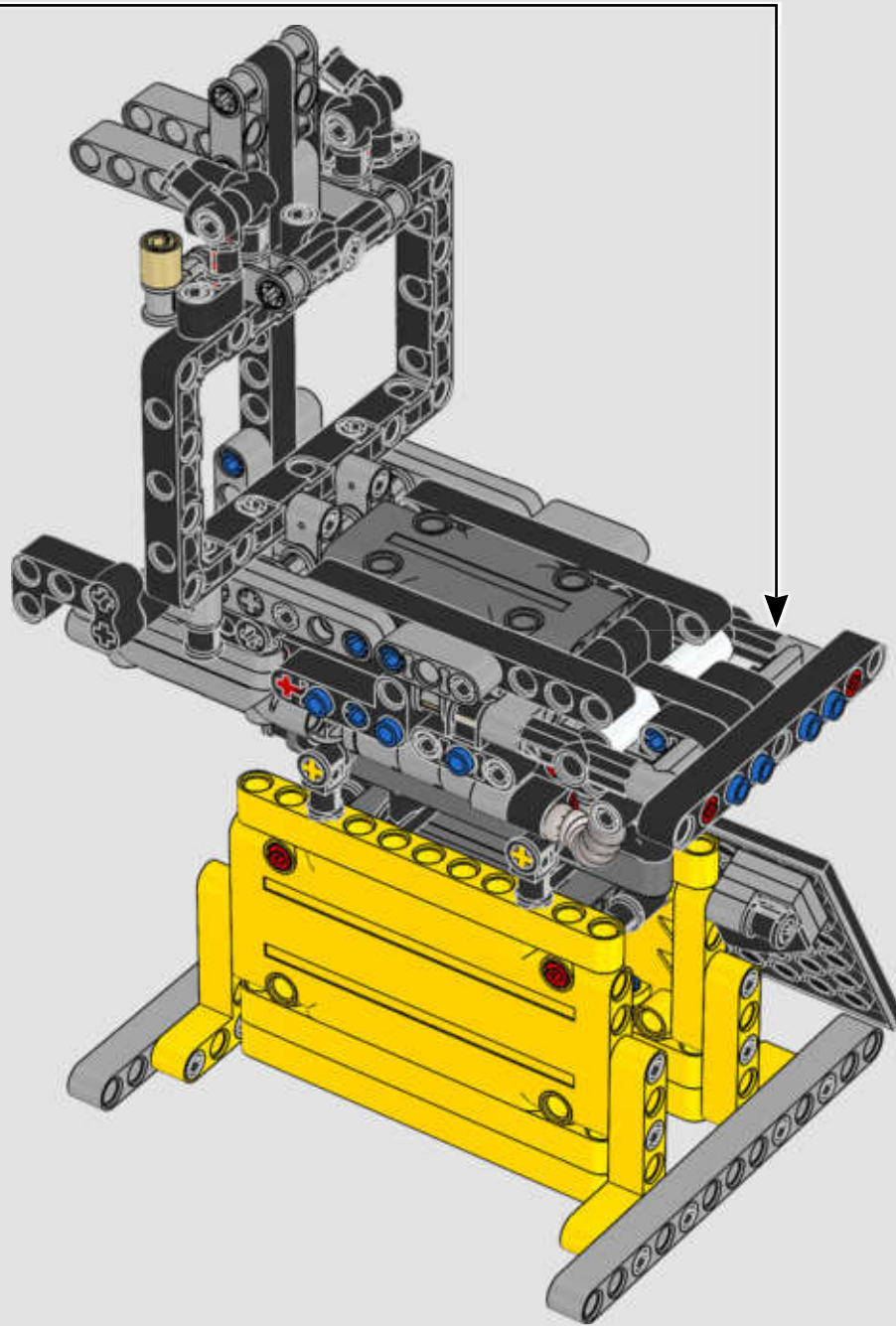
262

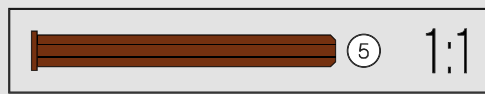
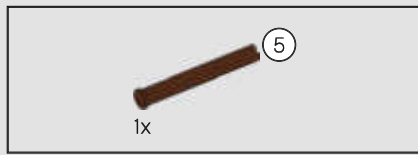


263

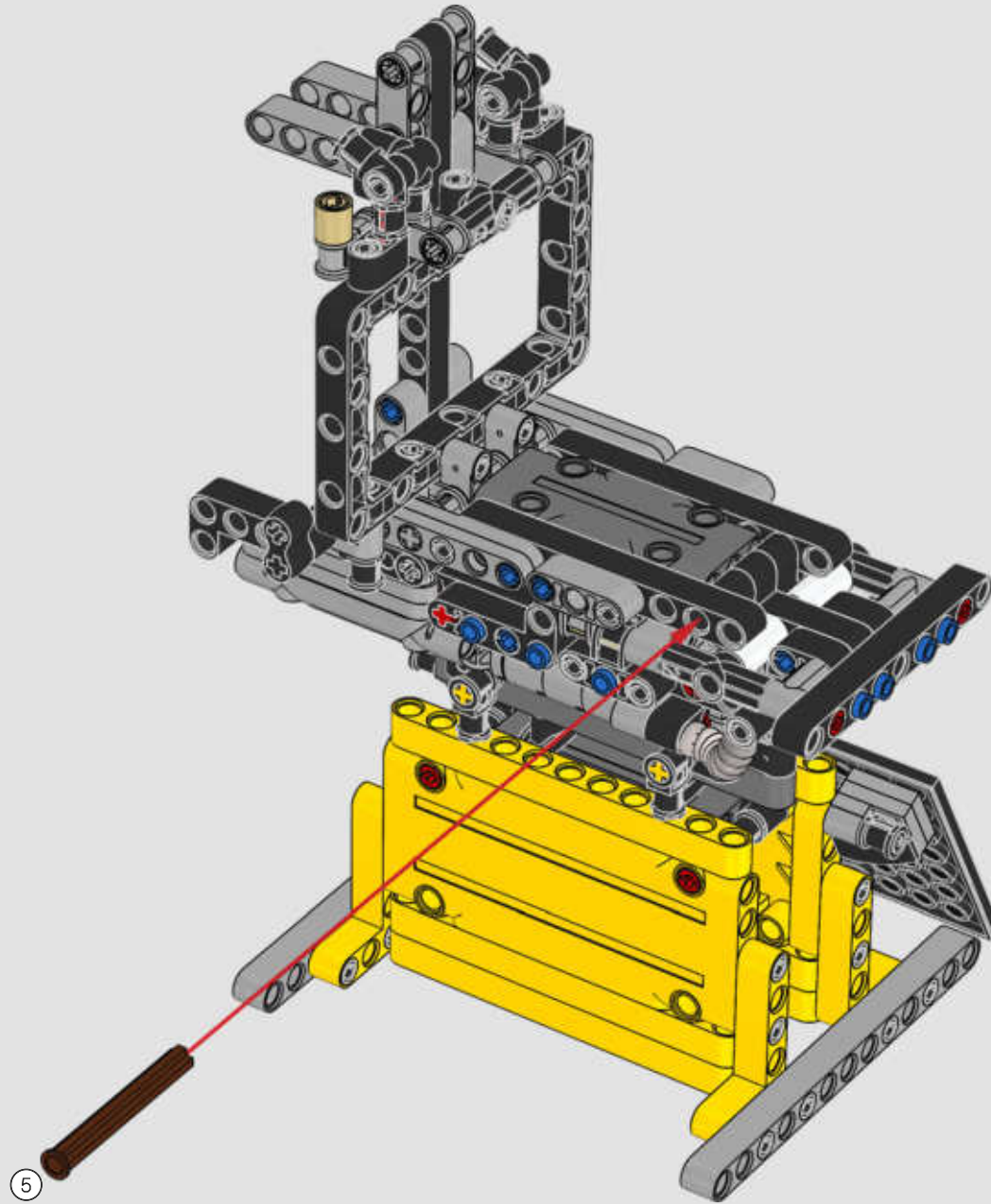


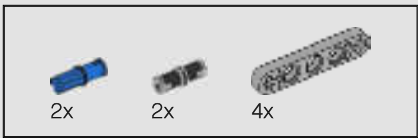
264



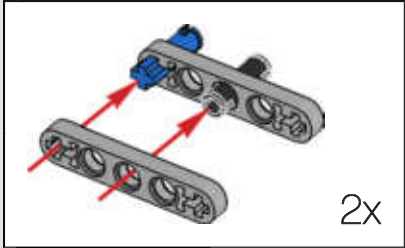
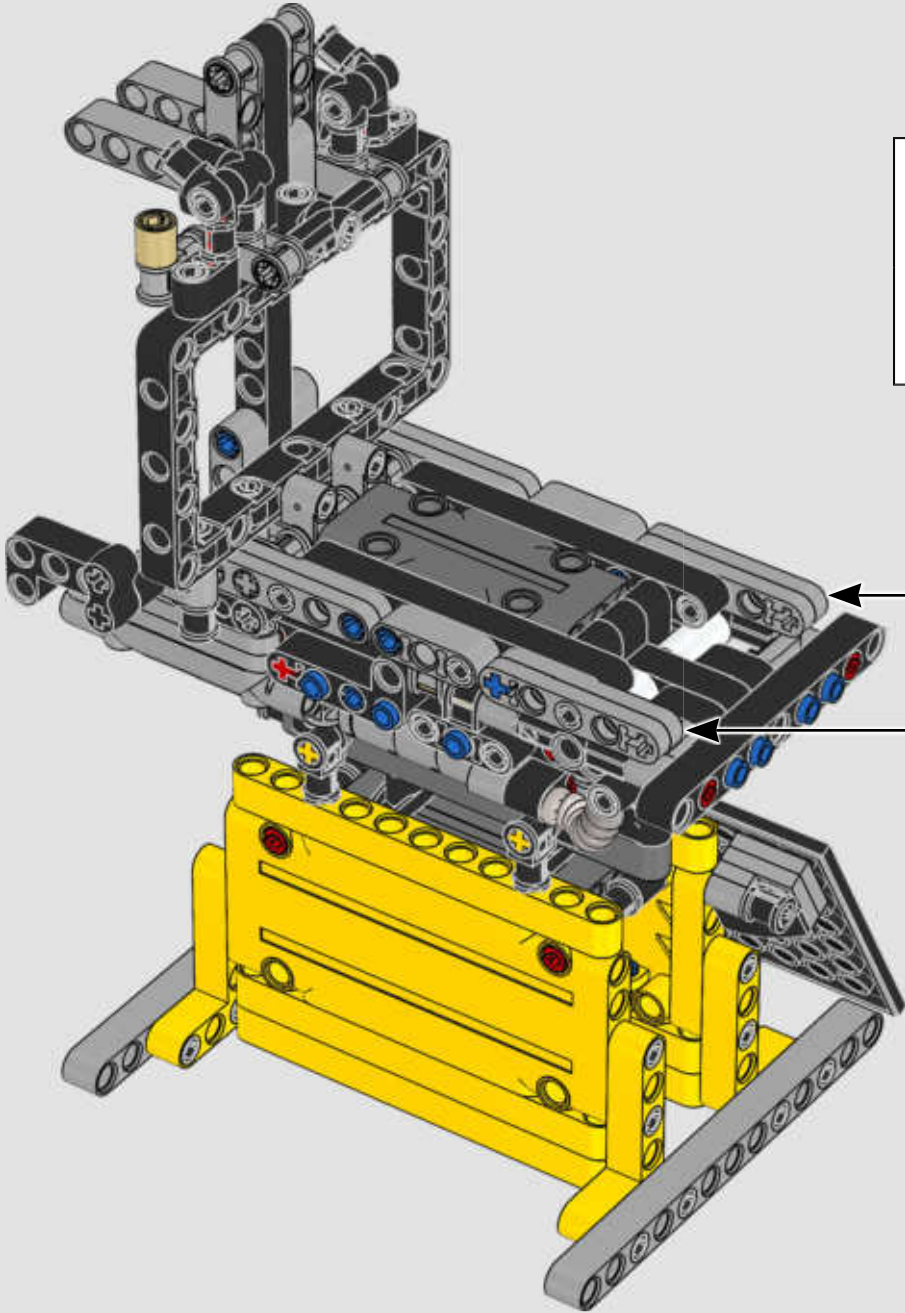


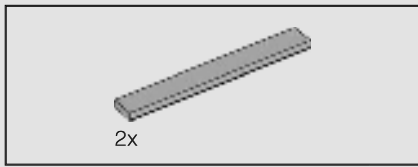
265



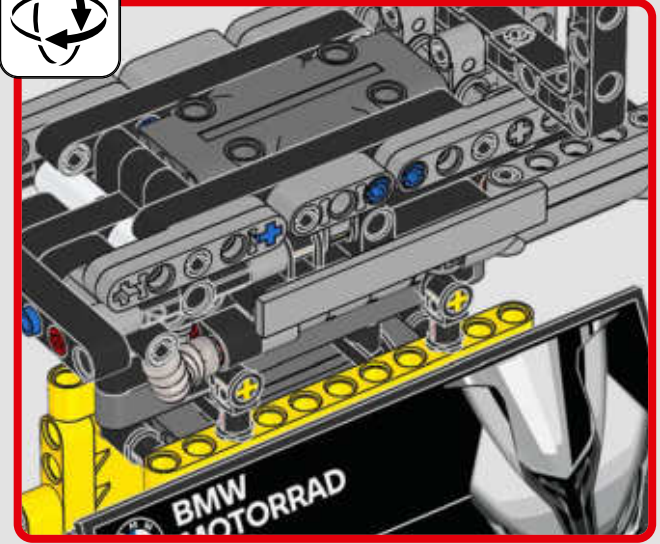
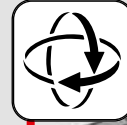
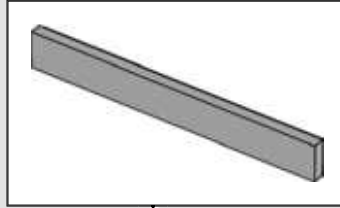
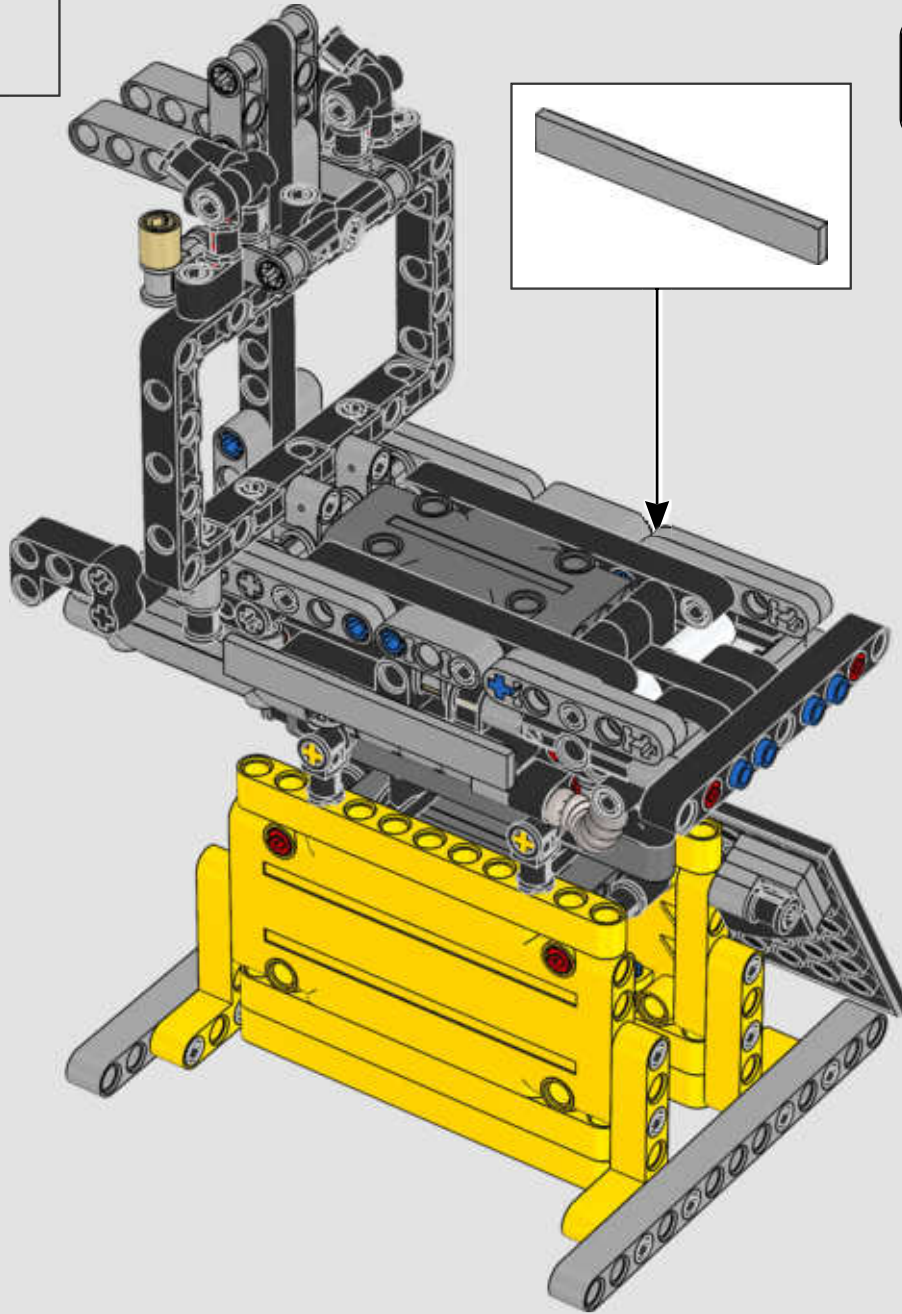


266

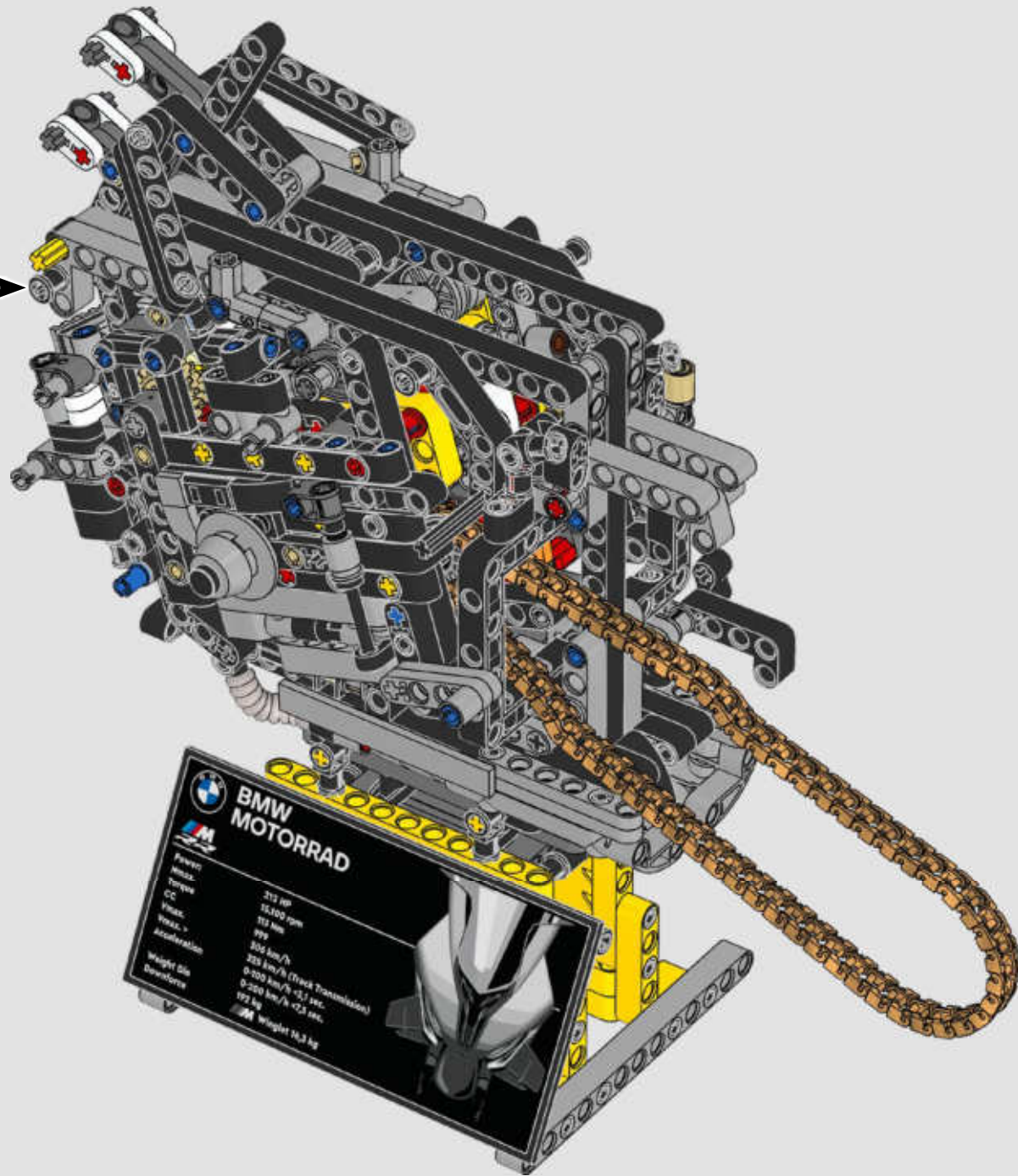




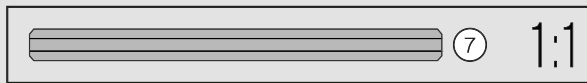
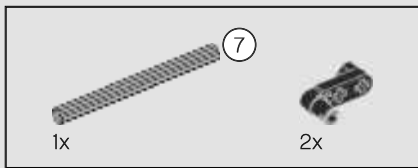
267



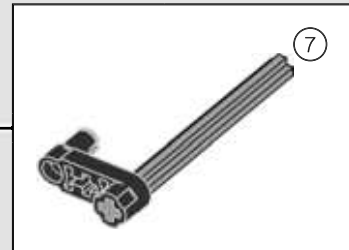
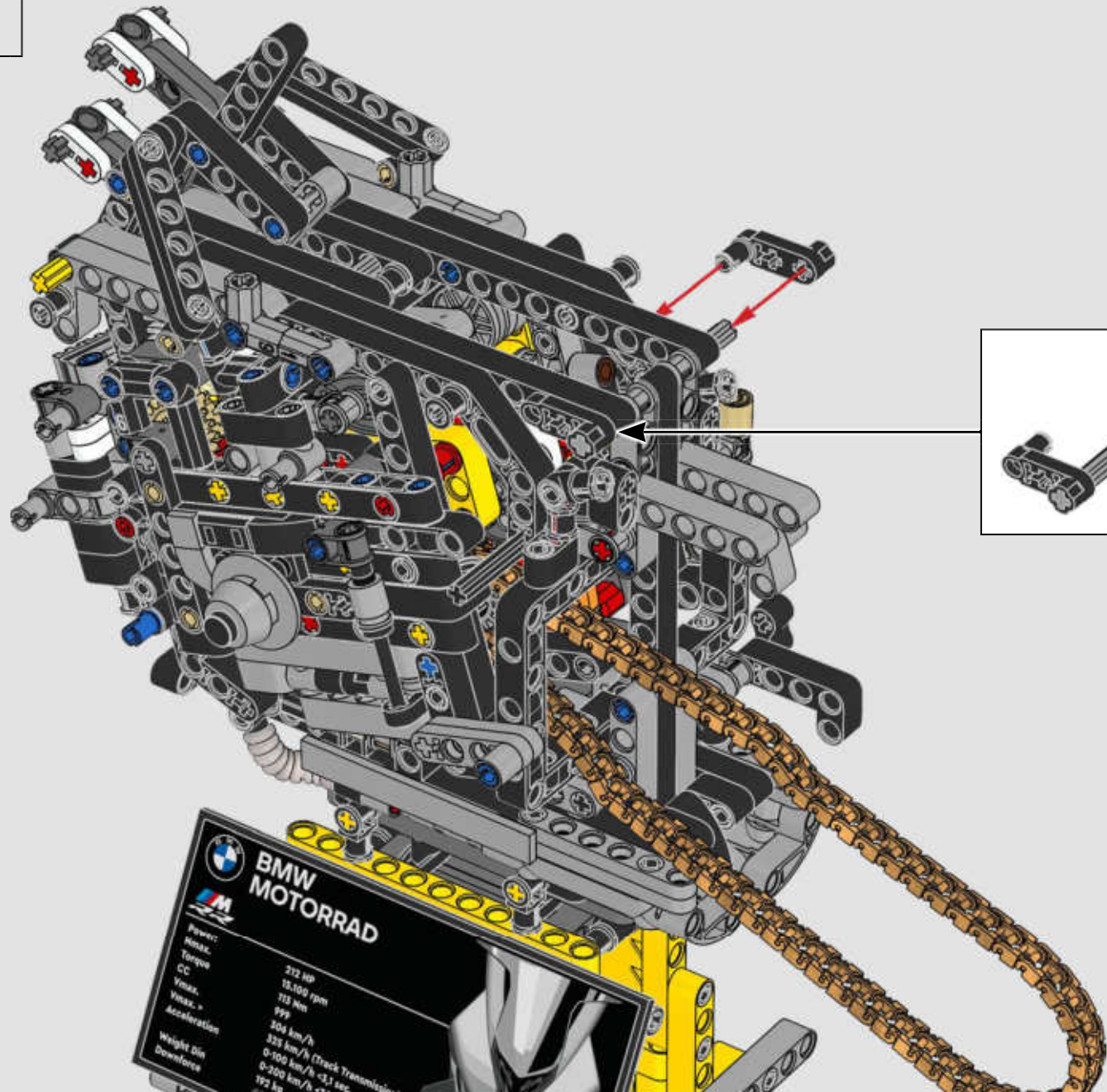
268



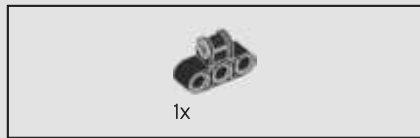
BMW MOTORRAD	
Power	212 hp
Max. Torque	15,100 rpm
CC	117 mm
Max. Speed	199 km/h
Acceleration	0-100 km/h (Track Transmission)
Weight Dry	0-100 km/h: 12.1 sec.
Downforce	0-200 km/h: 17.3 sec.
	192 kg
	BMW Weight 10.3 kg



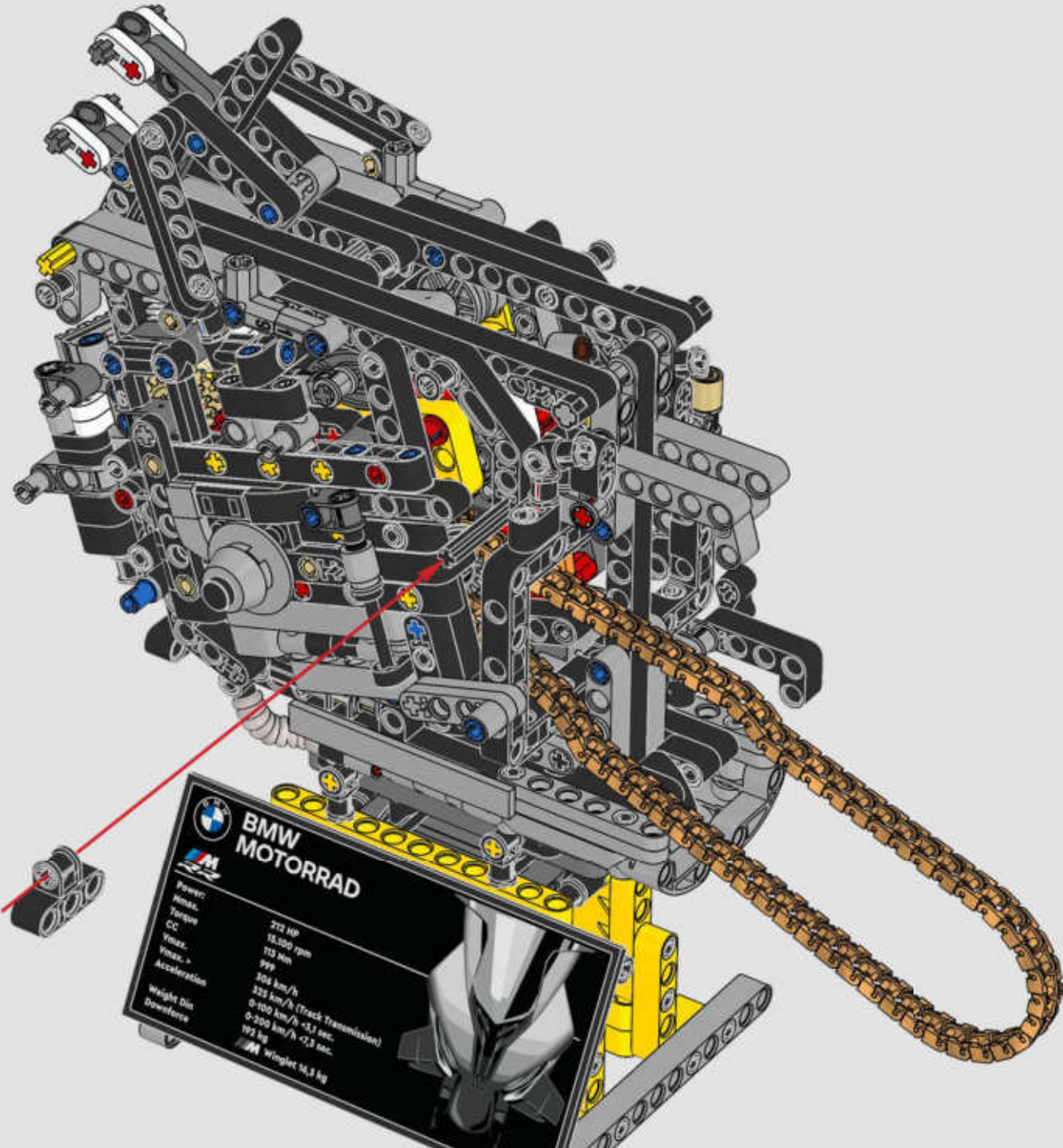
269

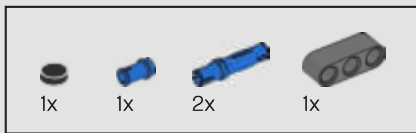


BMW MOTORRAD	
Power:	212 HP
Max. Torque:	15,100 rpm
CC:	113 Nm
Vmax.:	999
Vmax. + Acceleration:	306 km/h
Weight (incl. Downforce):	325 km/h
	0-100 km/h < 1.3 sec
	0-200 km/h < 3.3 sec
	192 km

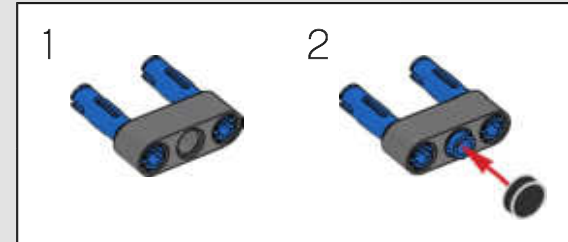
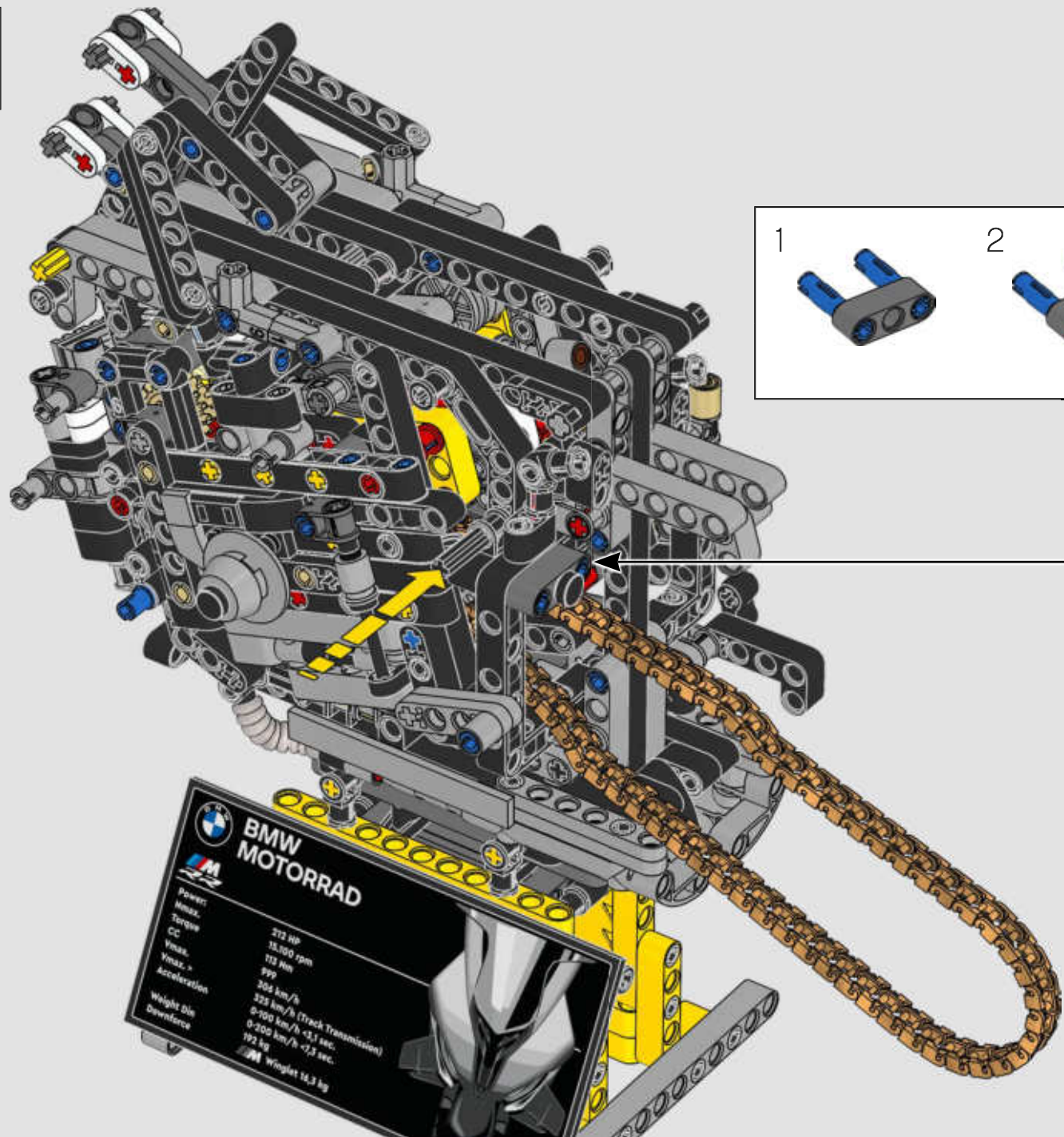


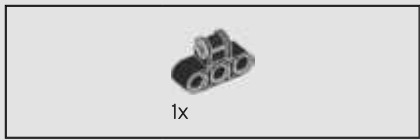
270



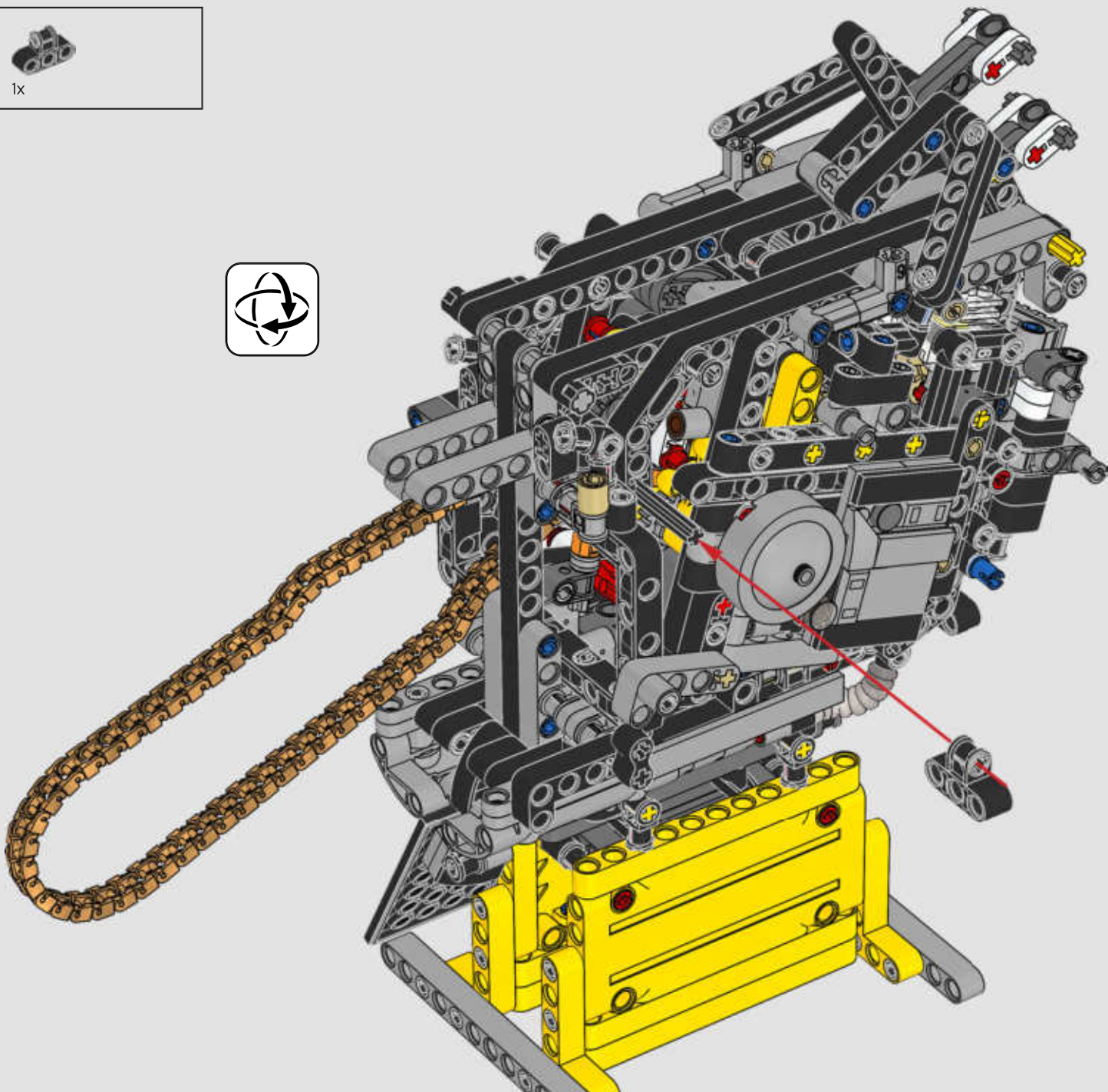


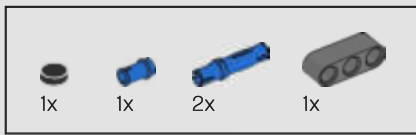
271



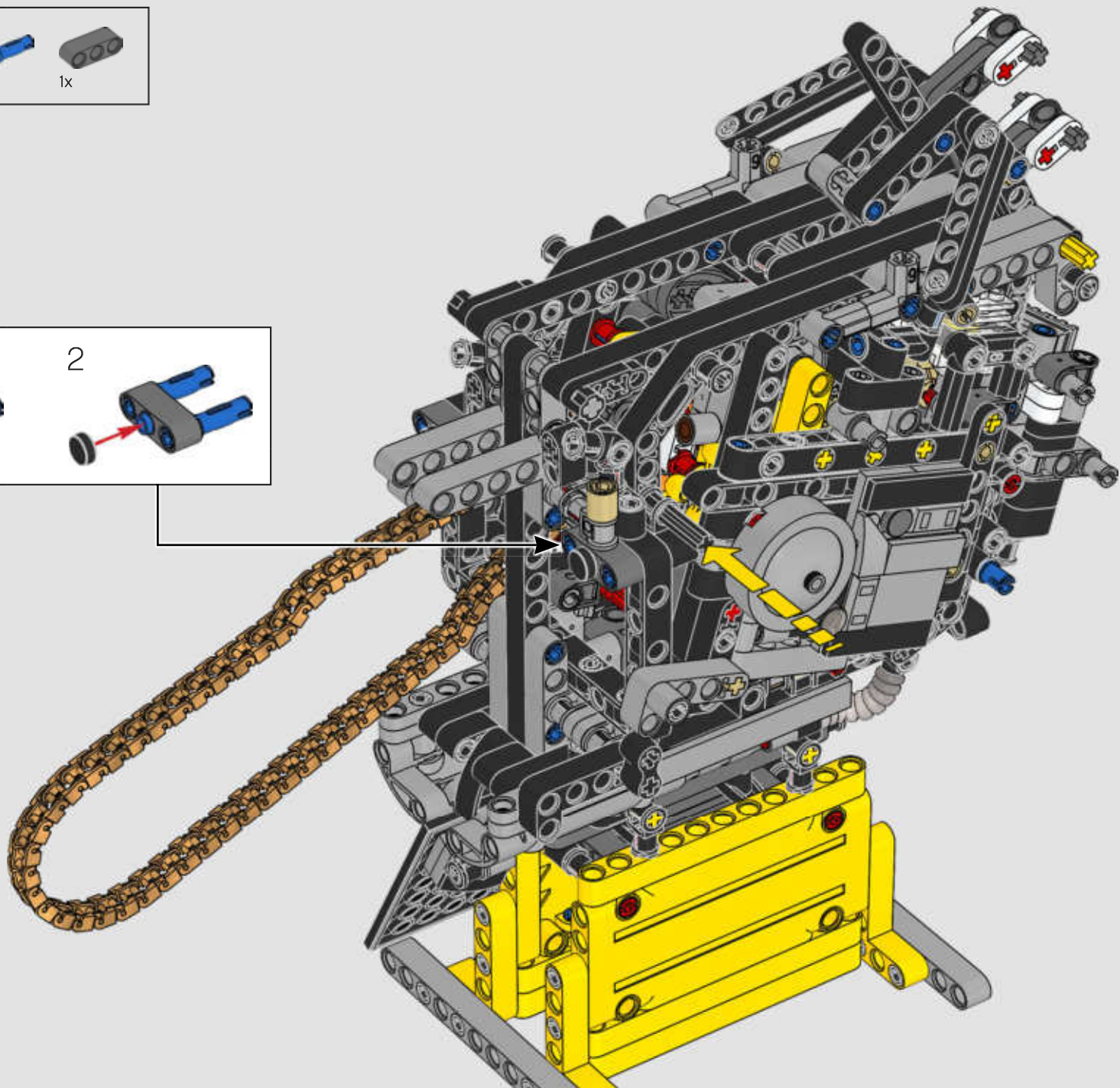
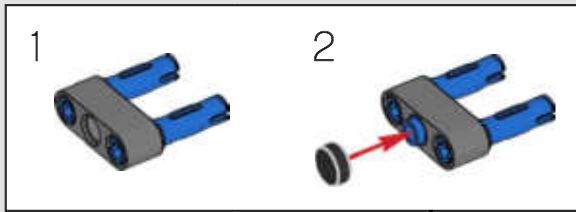


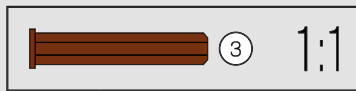
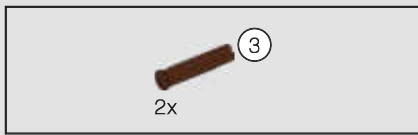
272



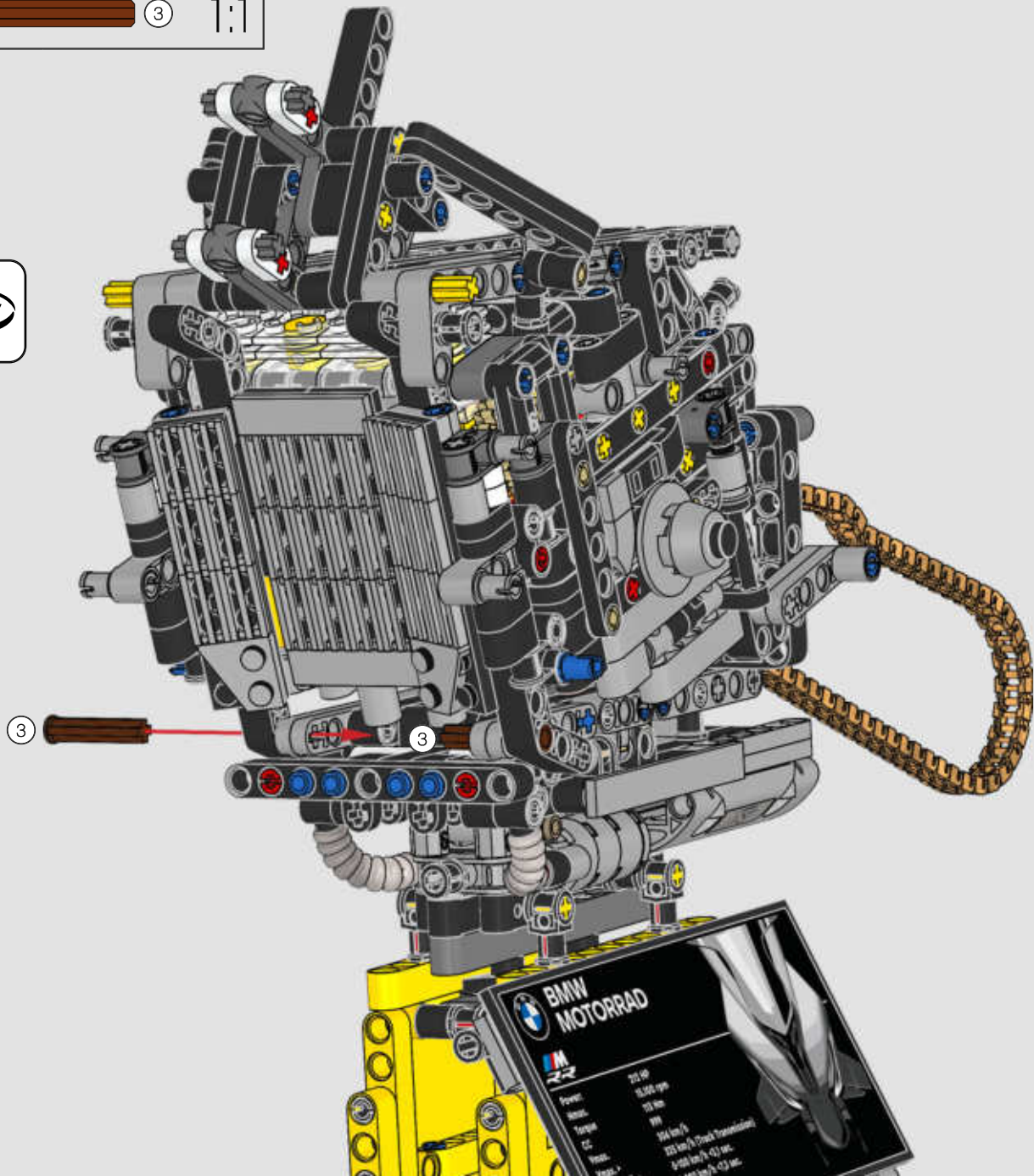


273





274





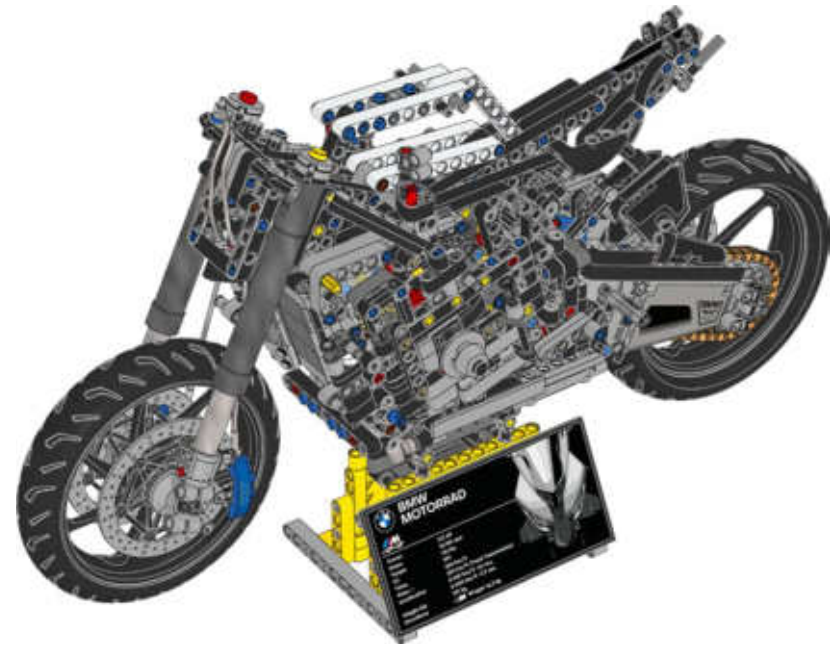
2x



3x



2x



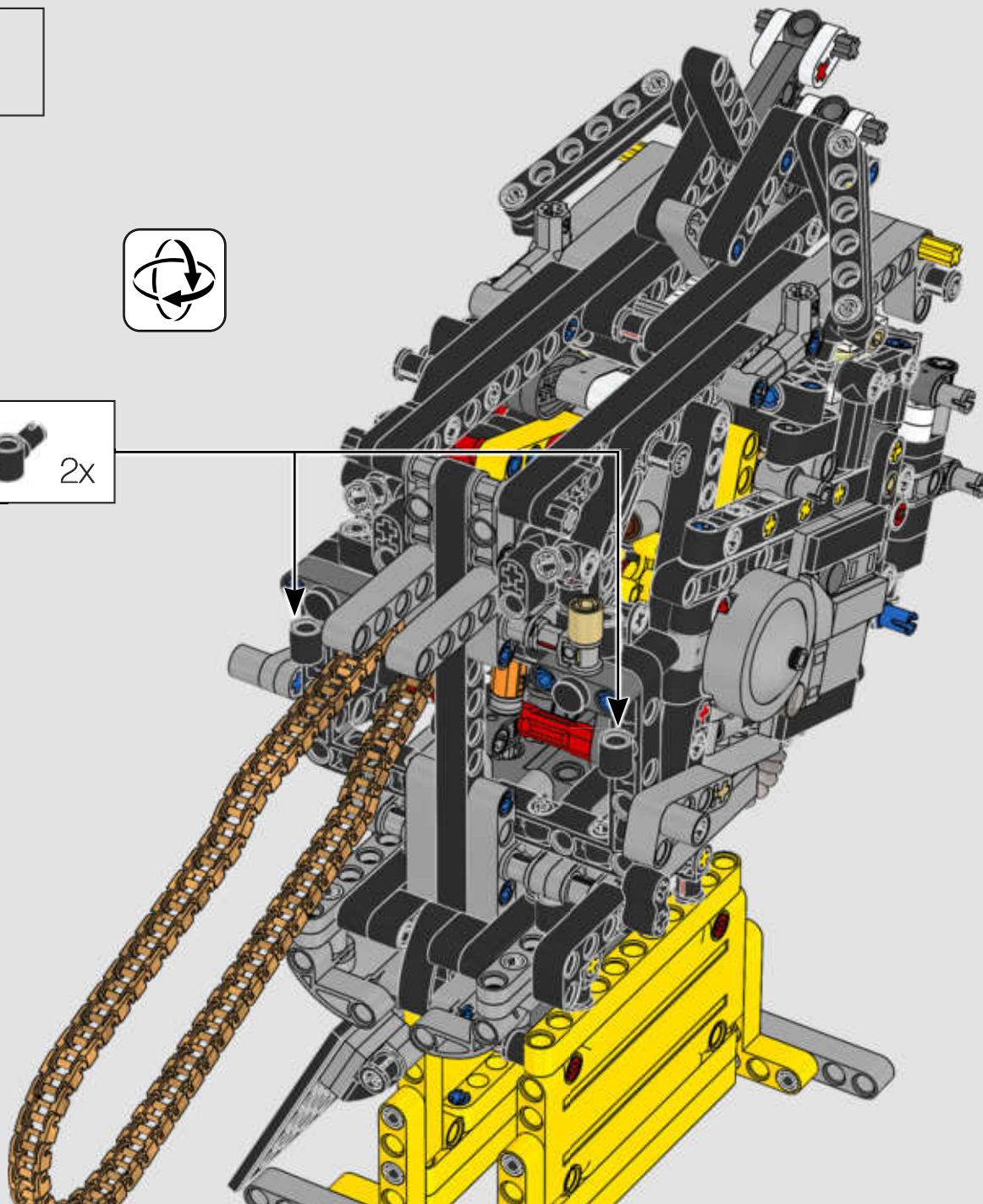


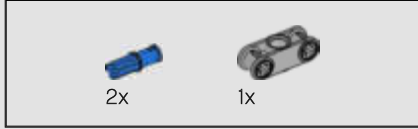
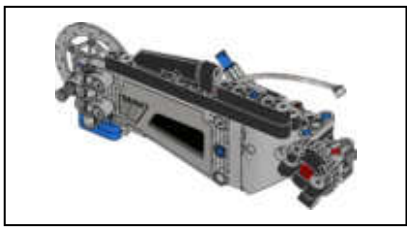
2x

275



2x

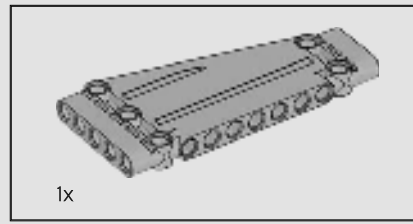
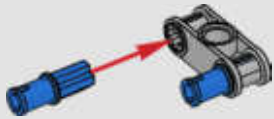




2x

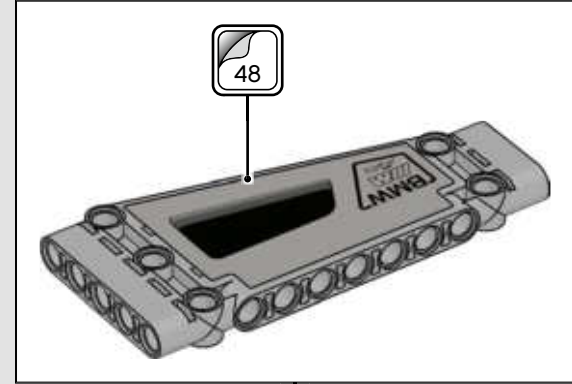
1x

276

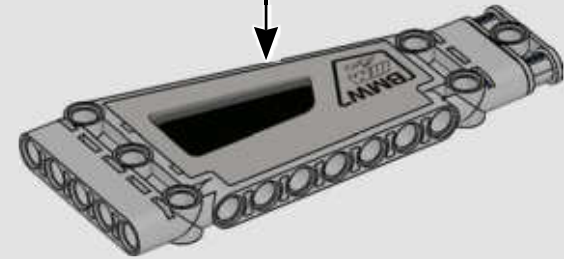


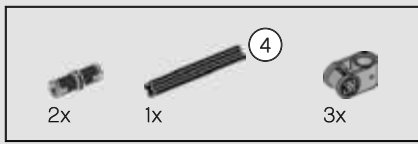
1x

277

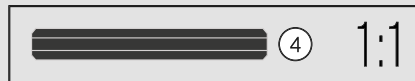
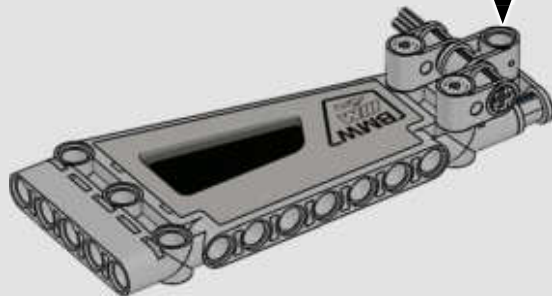
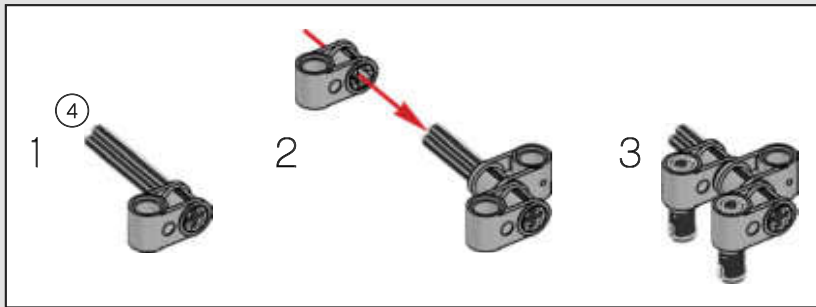


48

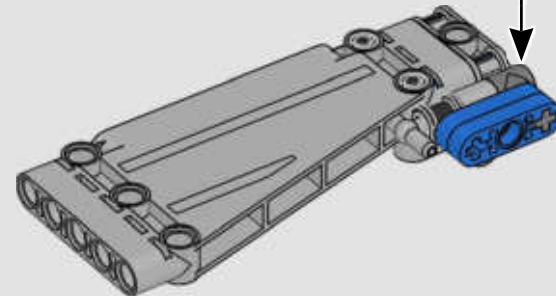
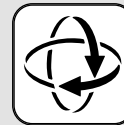
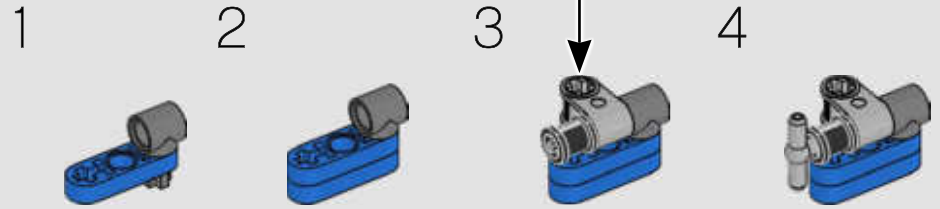


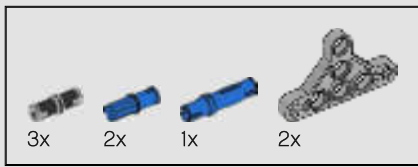


278

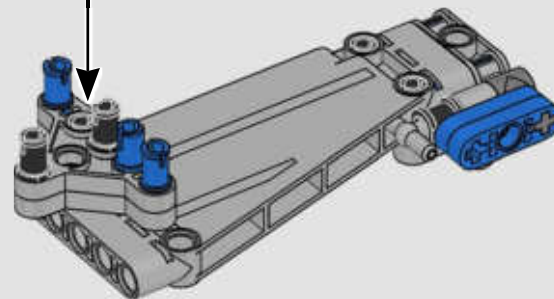
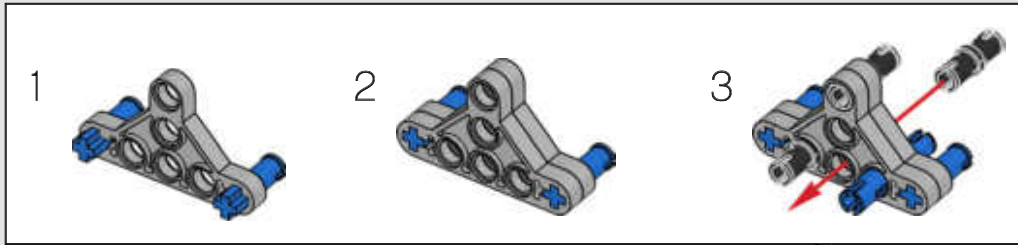


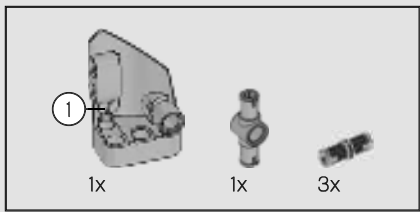
279



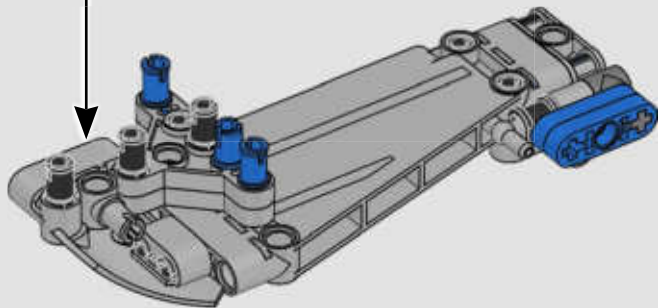
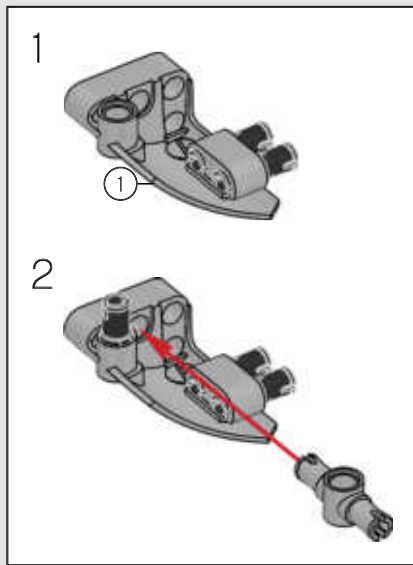


280

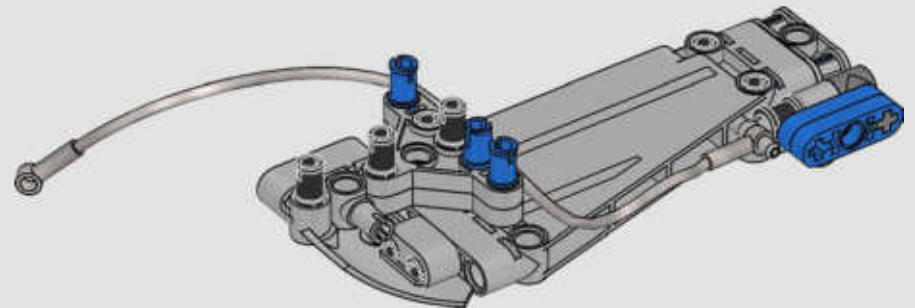


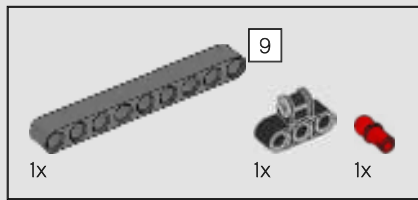


281

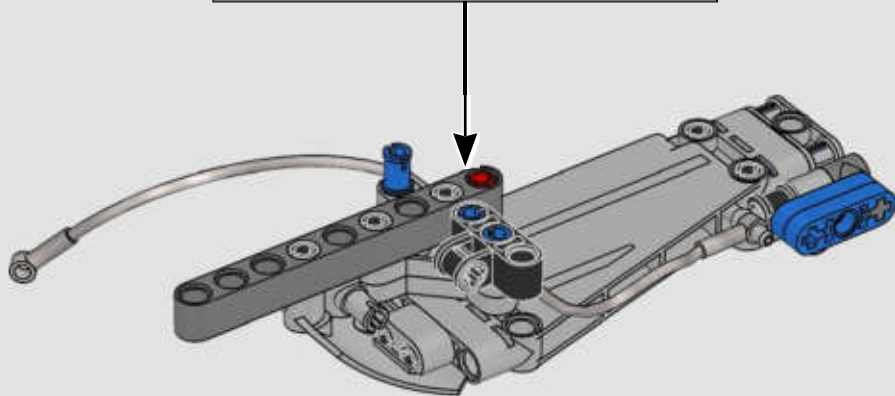
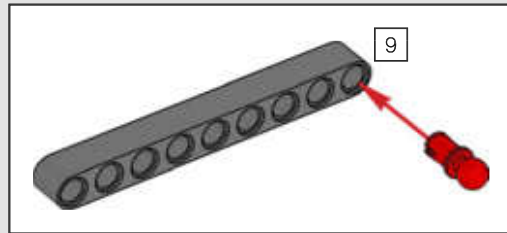
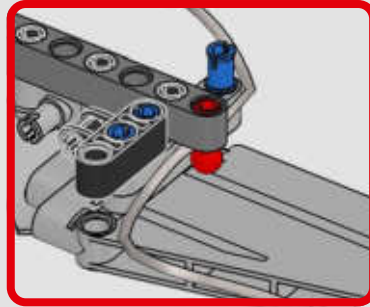


282

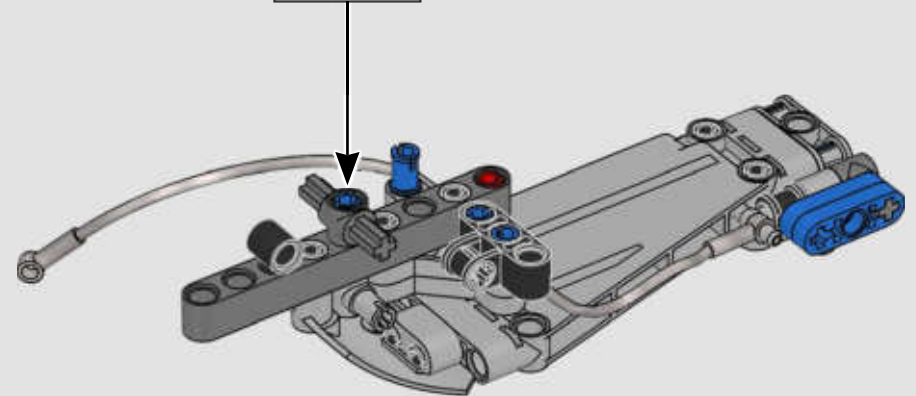
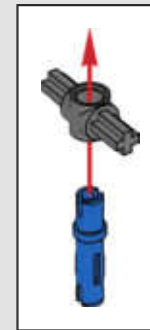


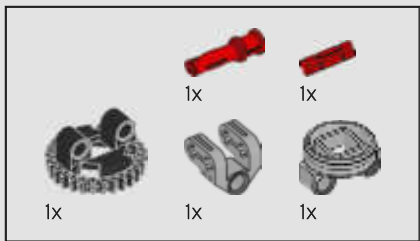


283

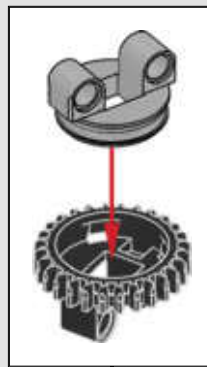


284





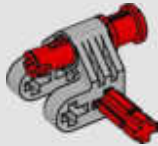
285



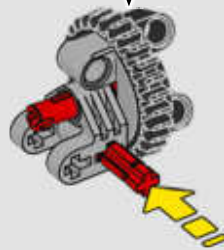
1



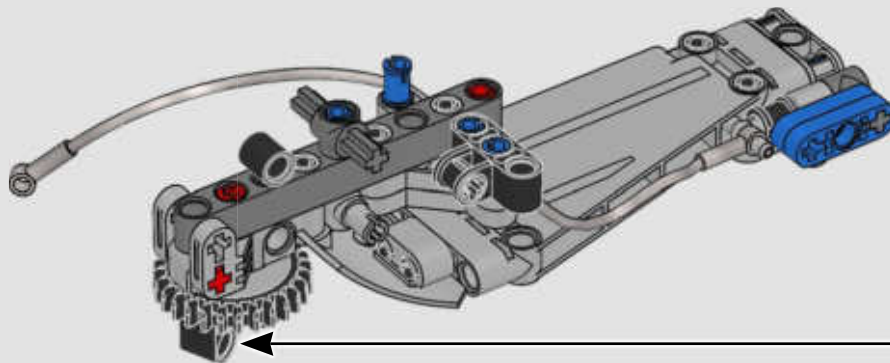
2

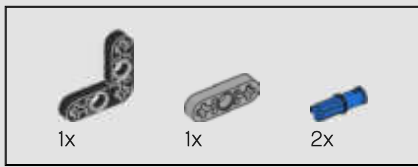


3

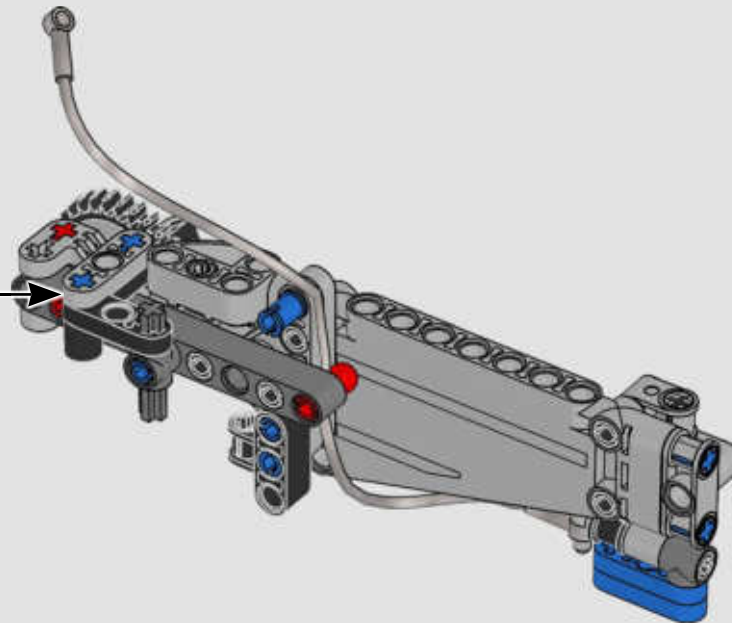
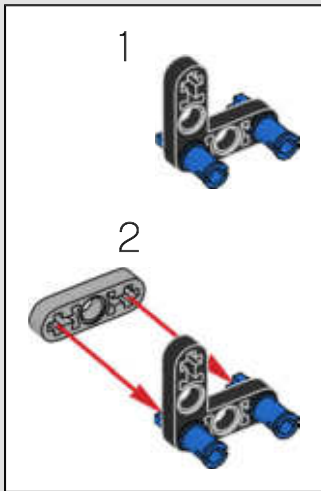


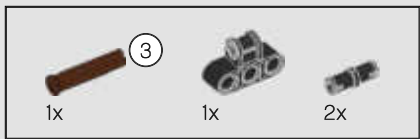
4



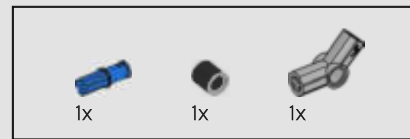
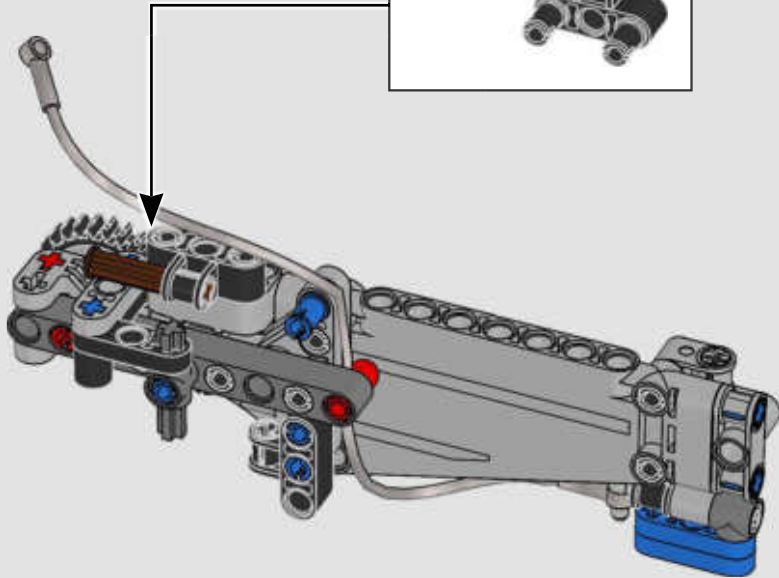
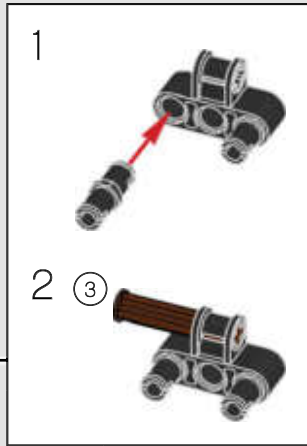


286

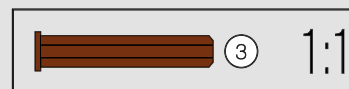
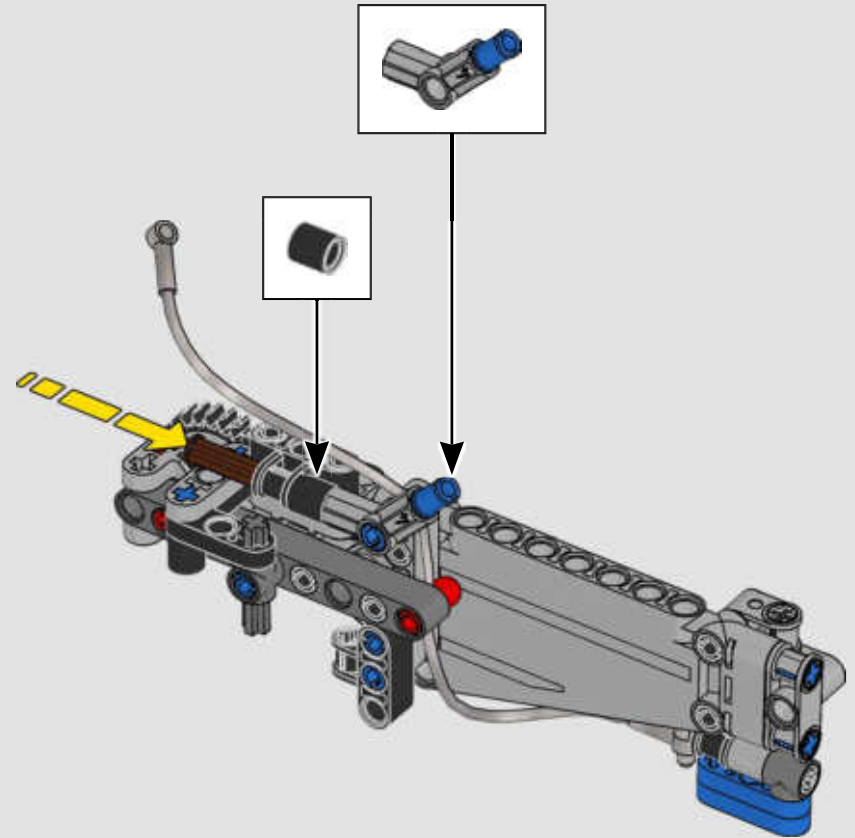


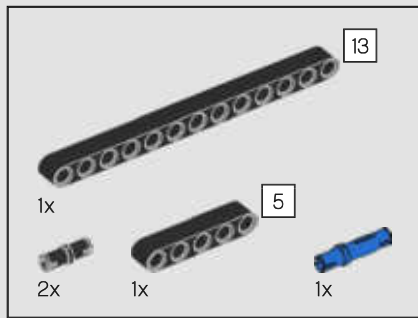


287

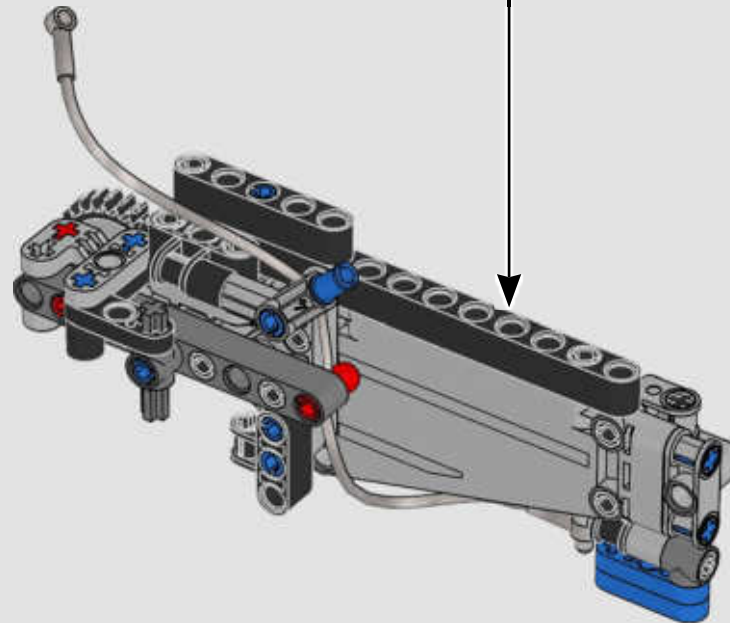
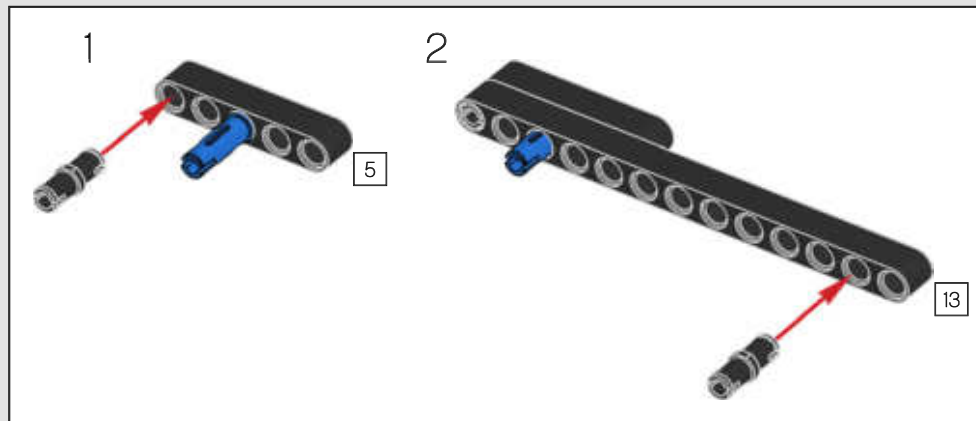


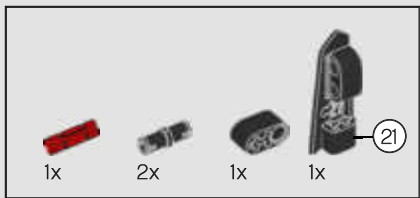
288



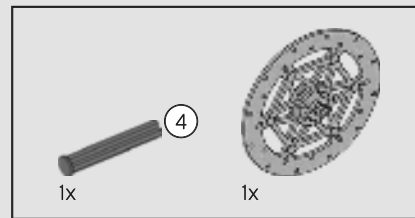
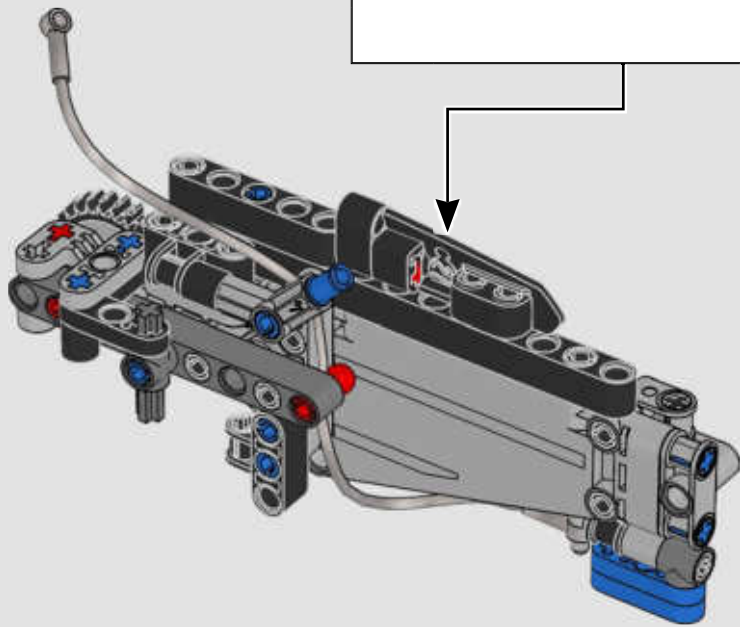
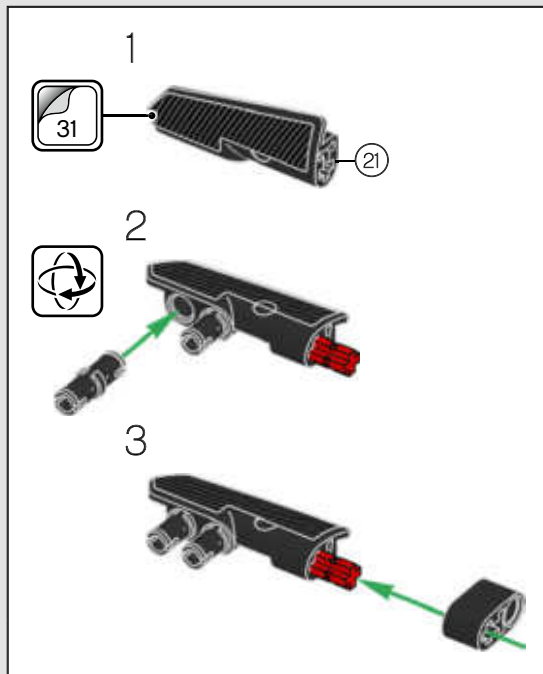


289

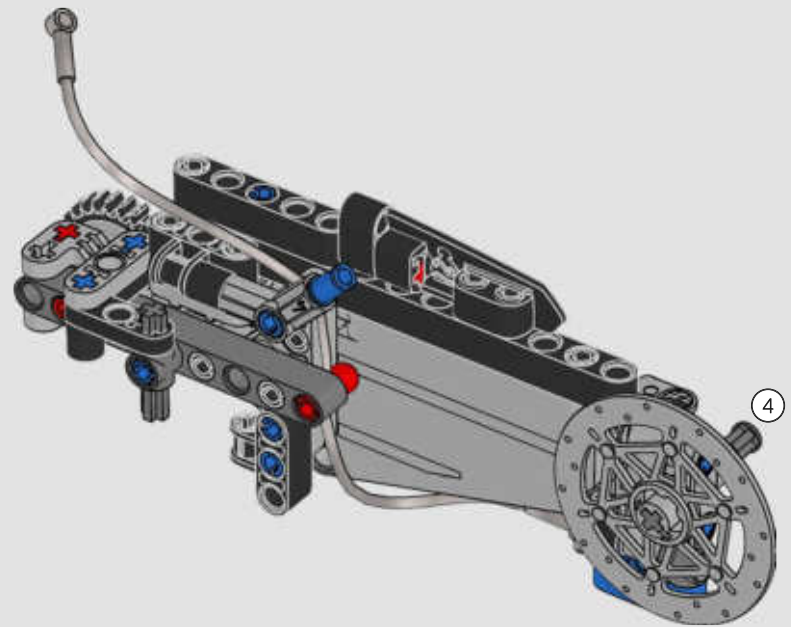
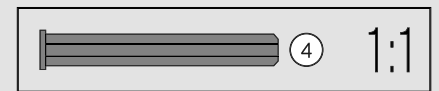




290

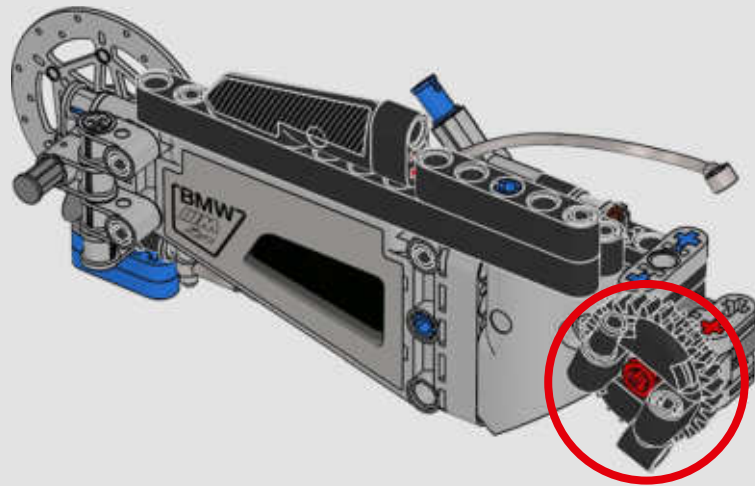


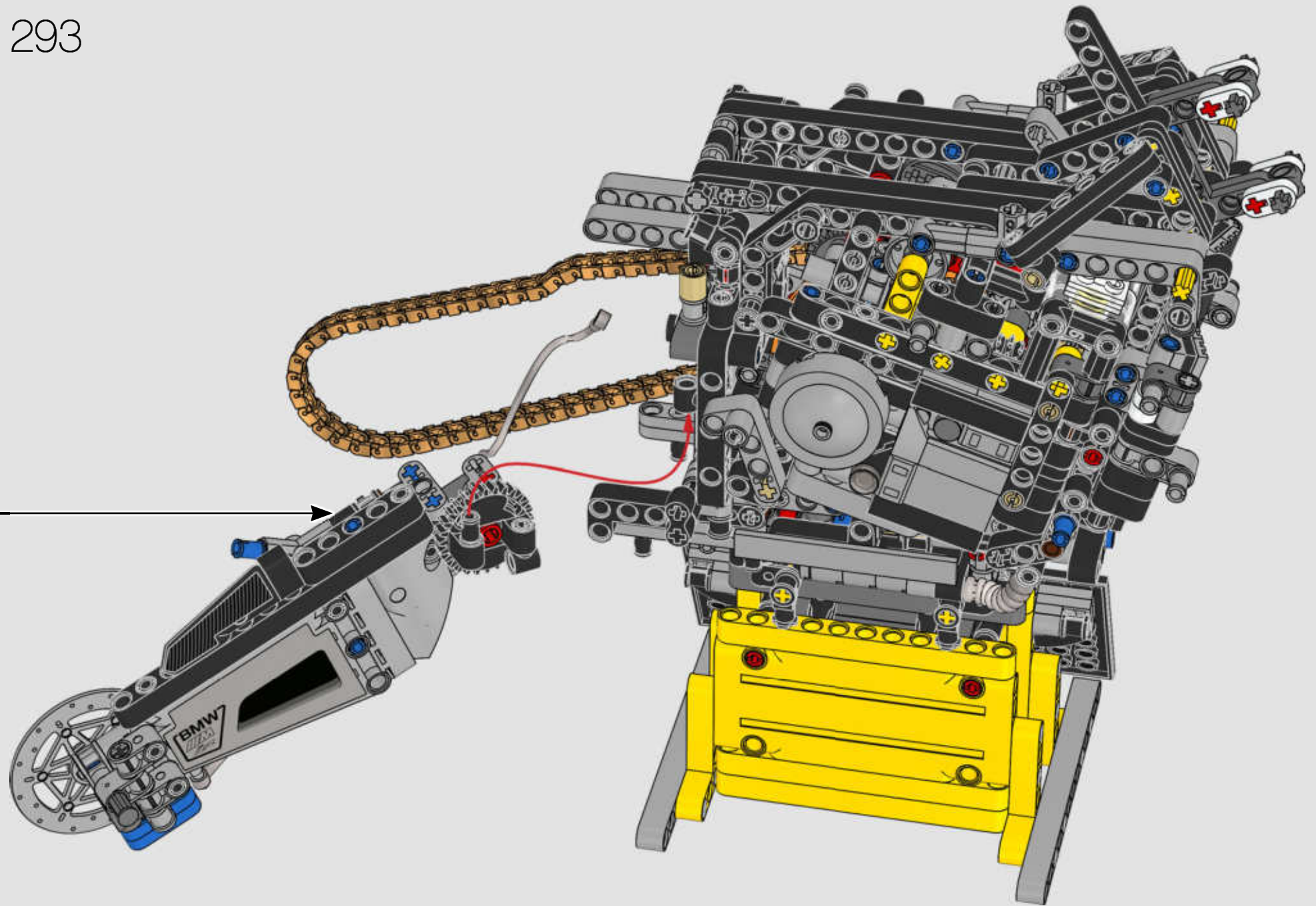
291

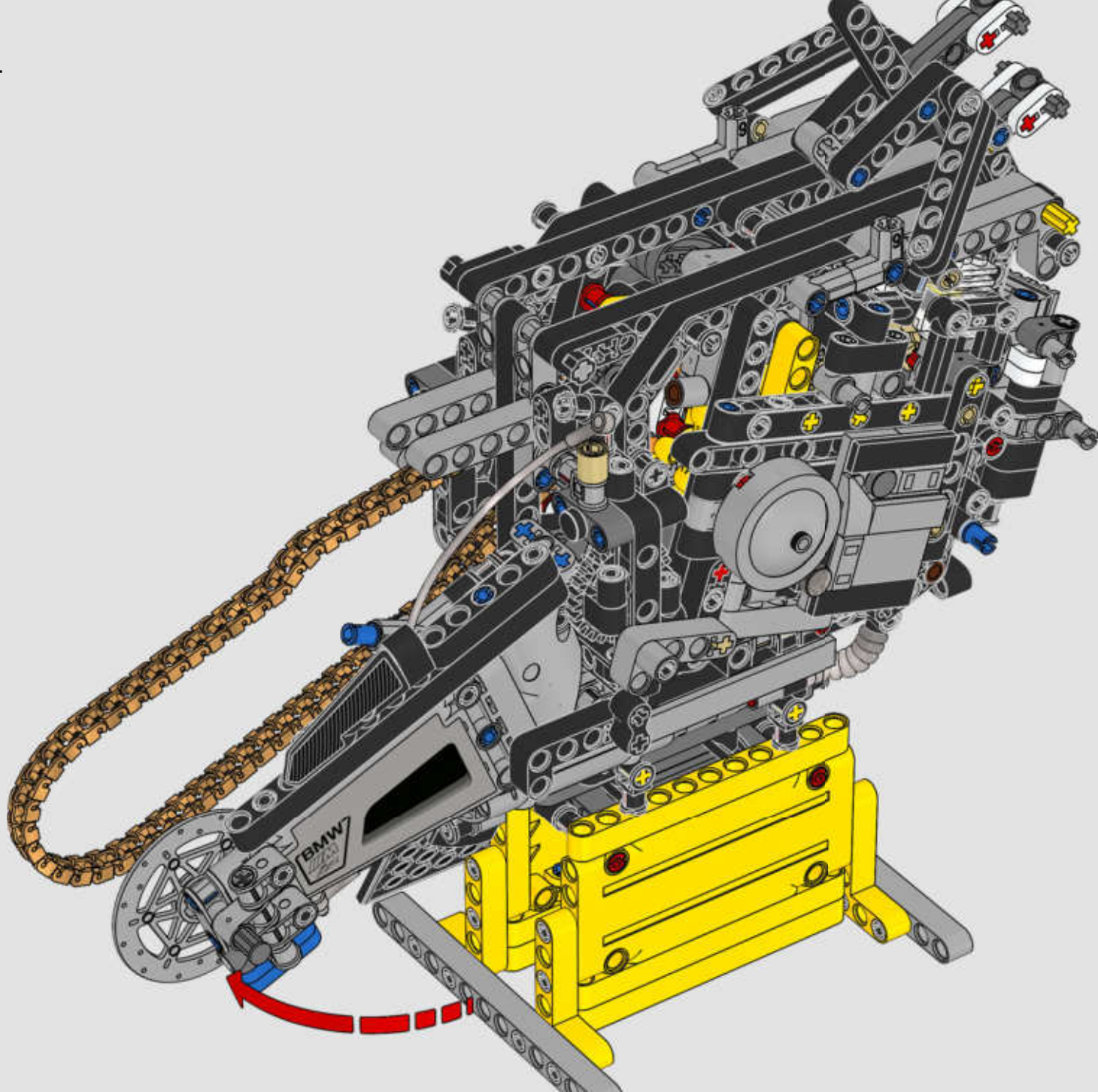


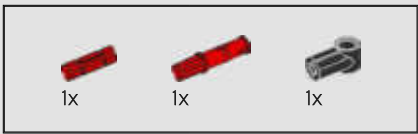


292

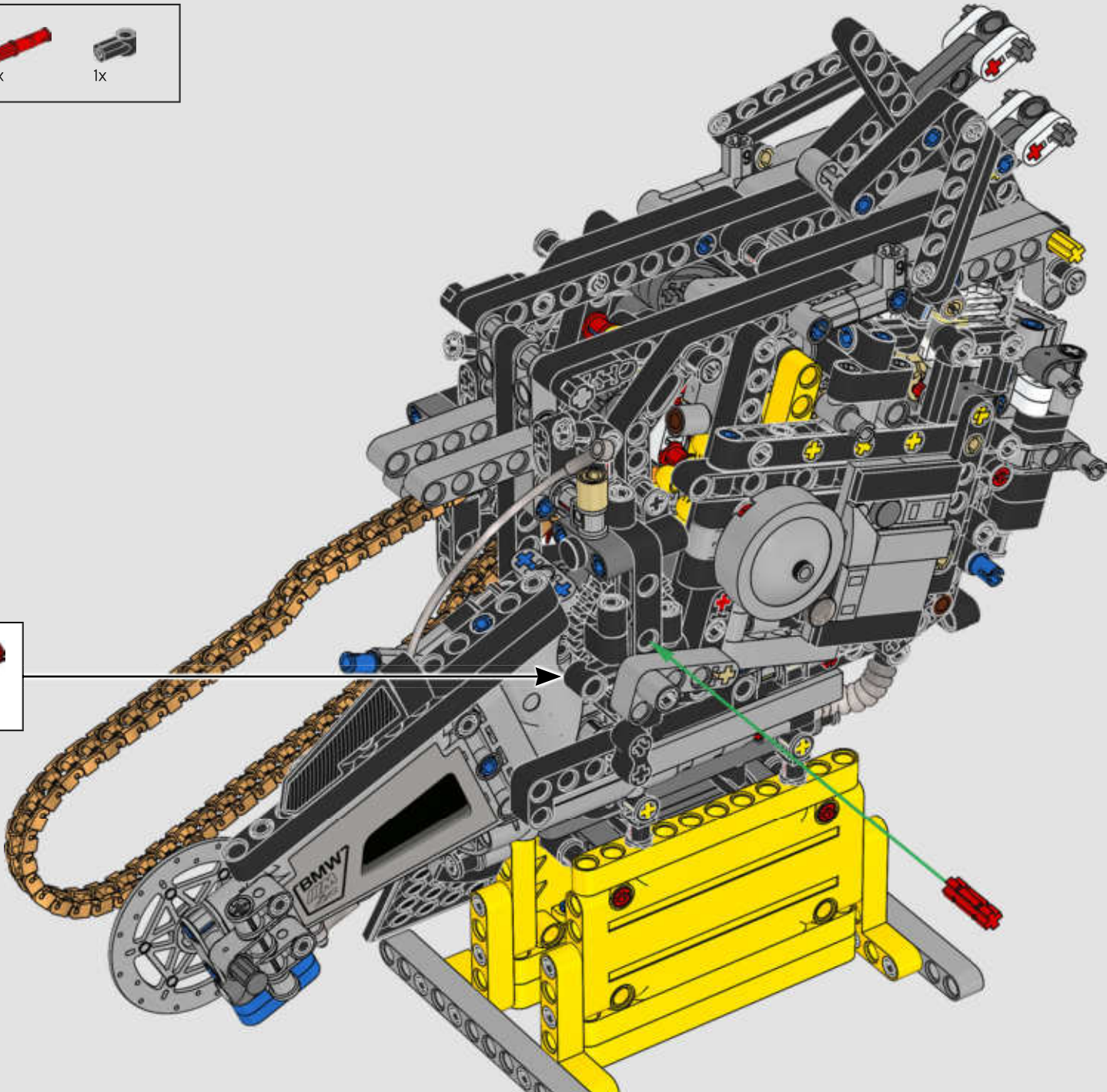






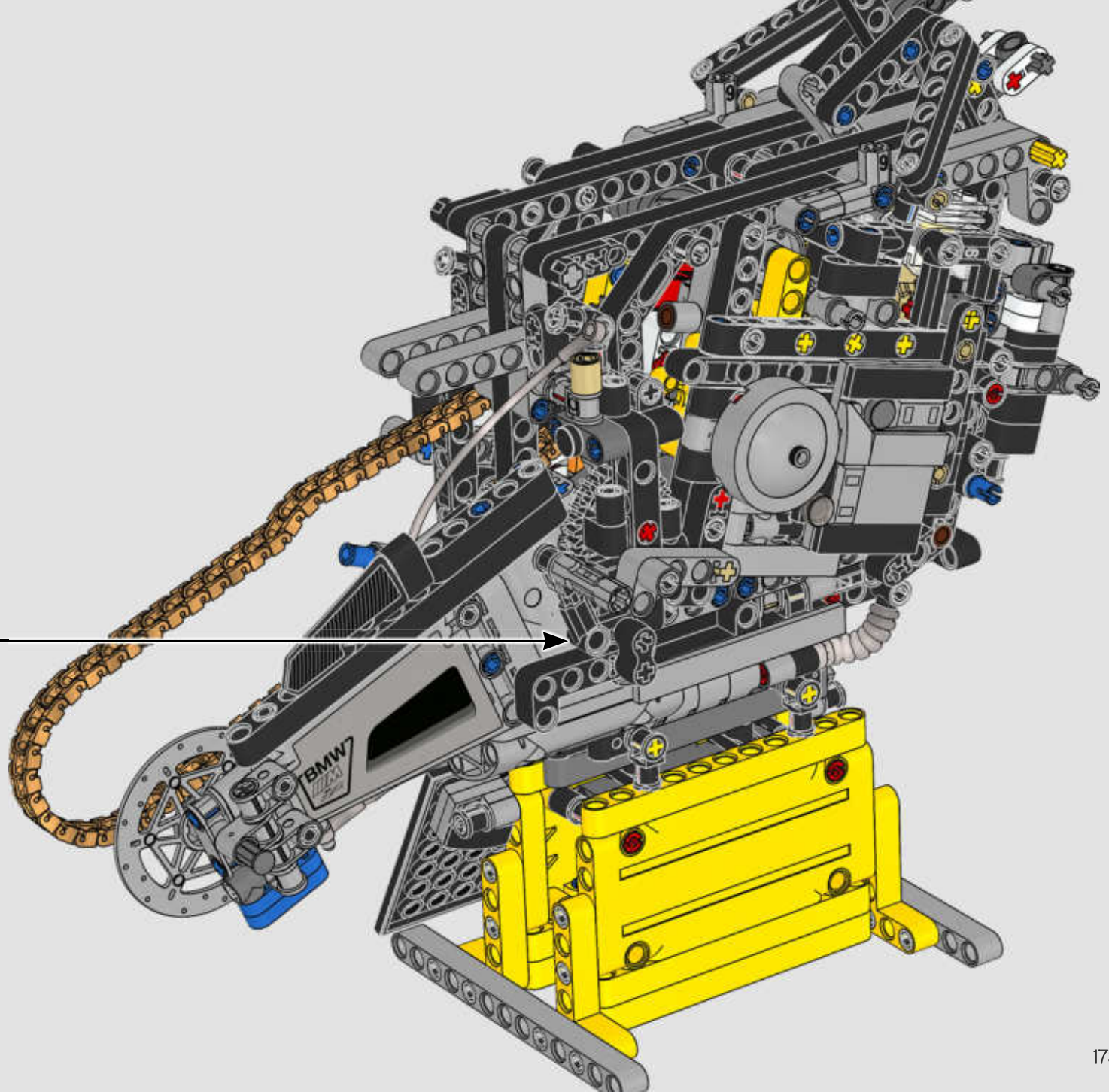
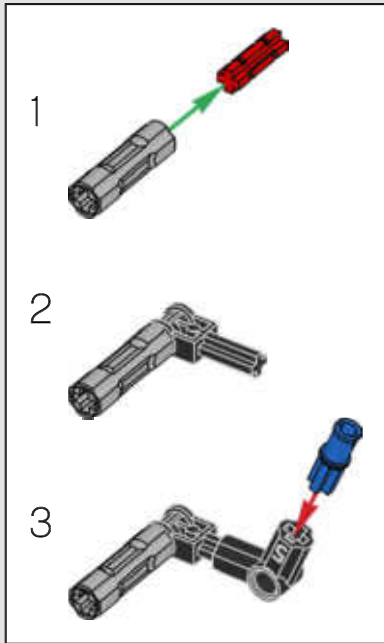


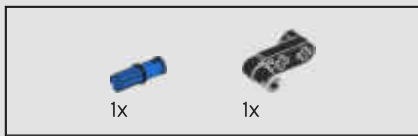
295



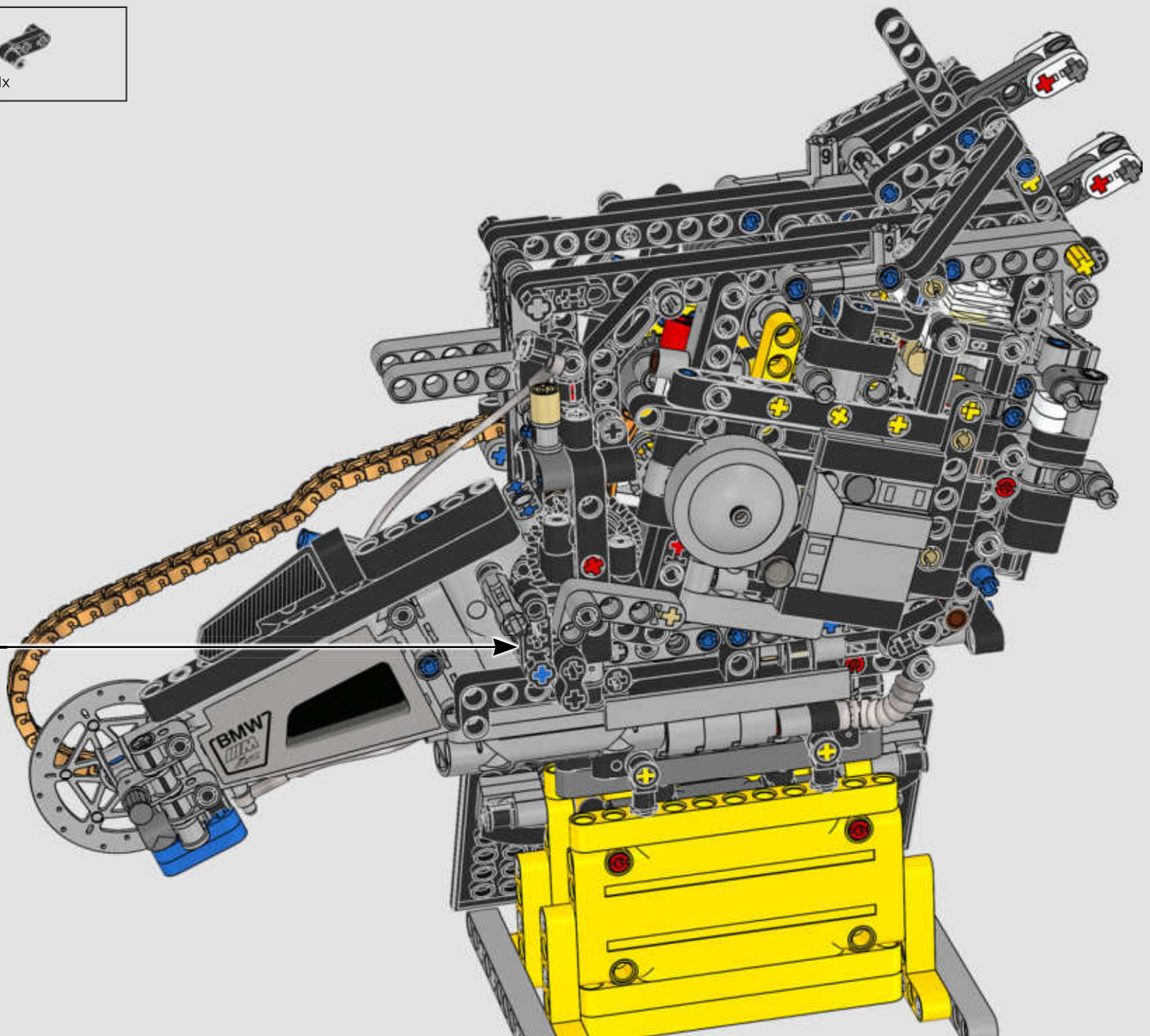


296



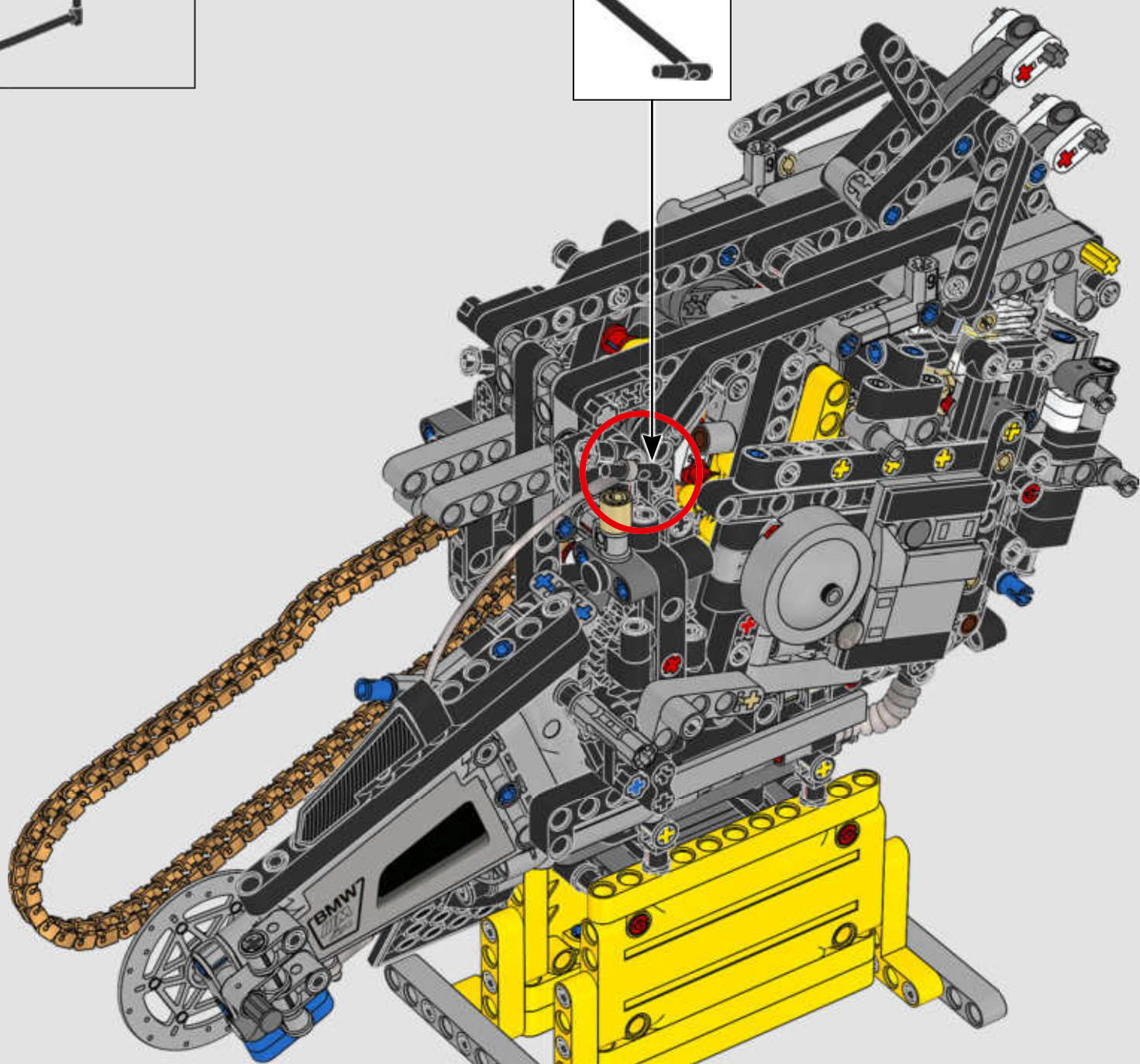


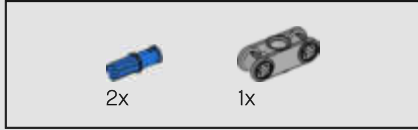
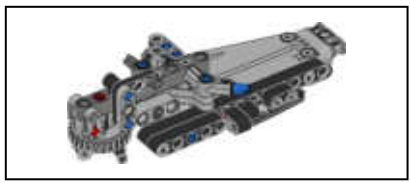
297



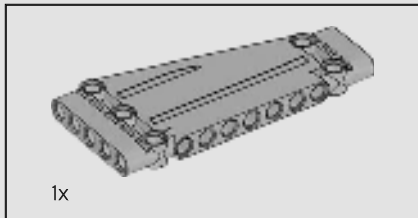


298

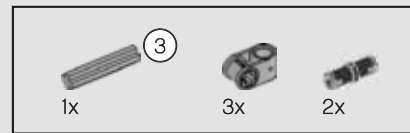
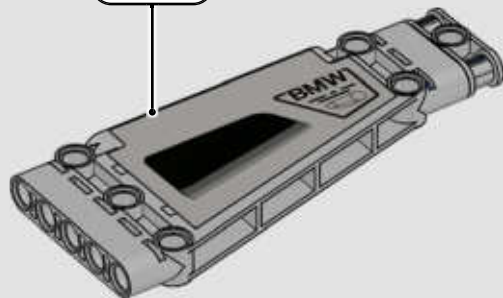




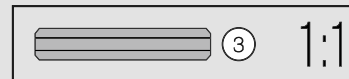
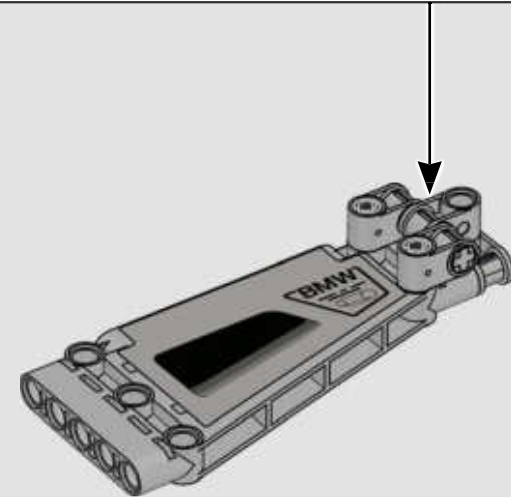
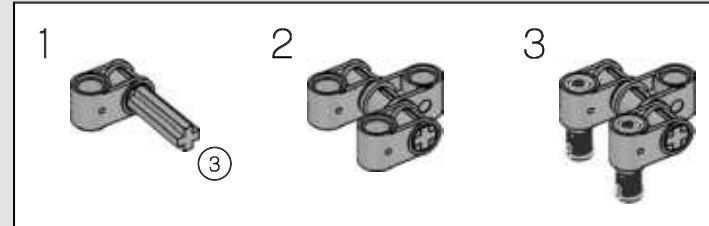
299

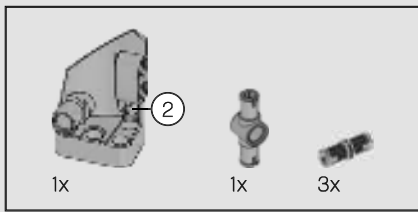


300

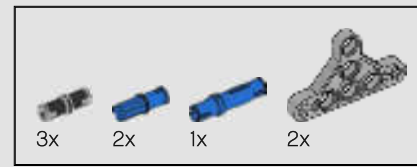
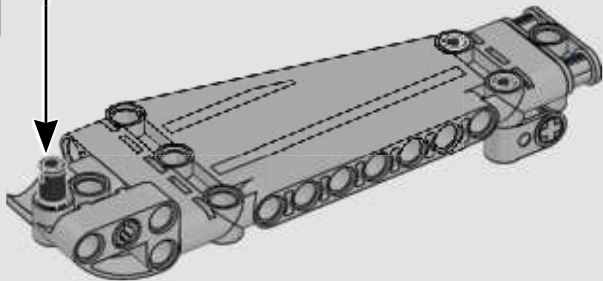
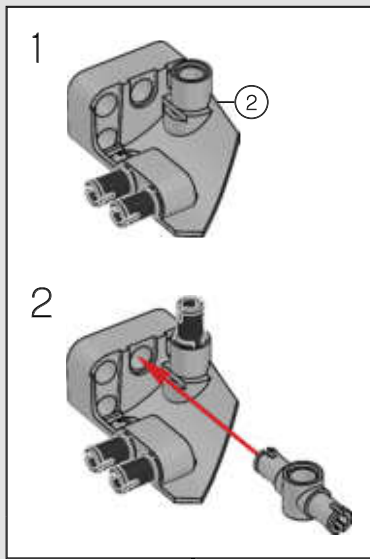


301

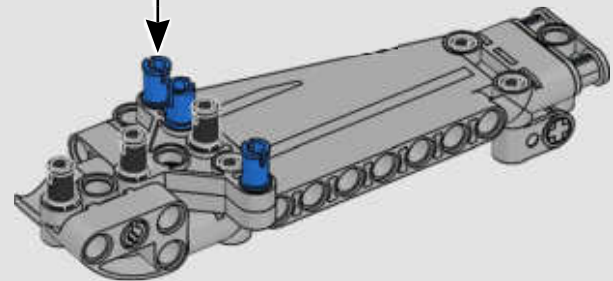
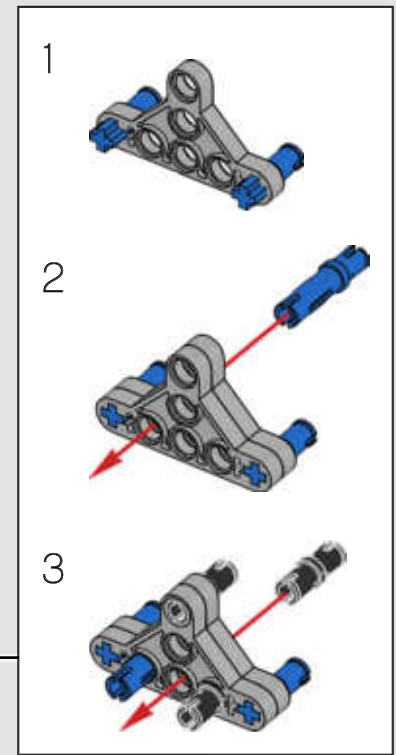


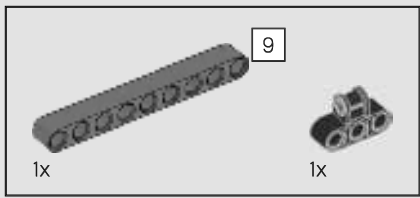


302

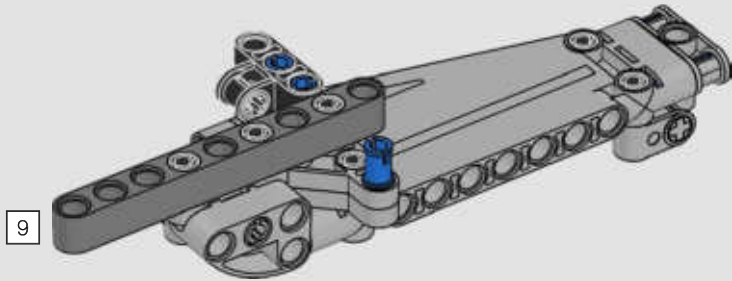


303

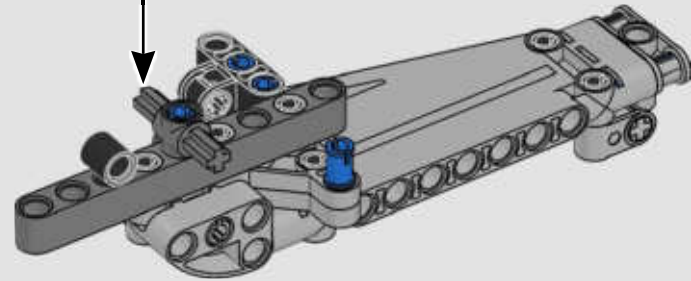


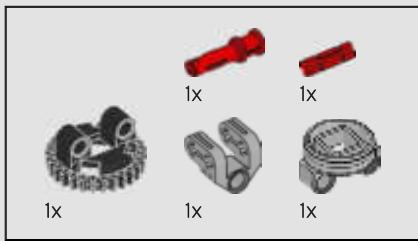


304



305



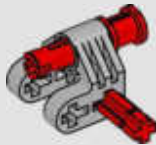


306

1



2



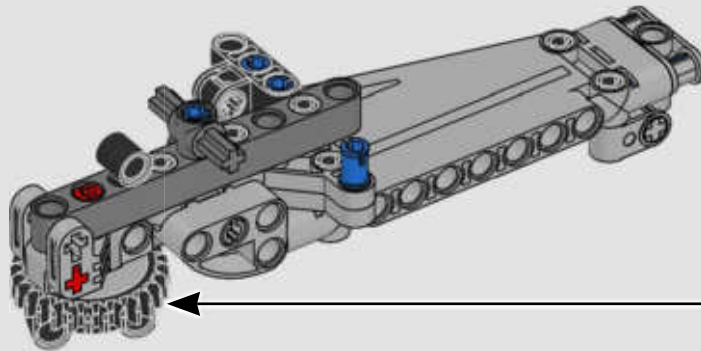
3

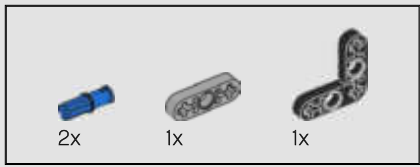


4

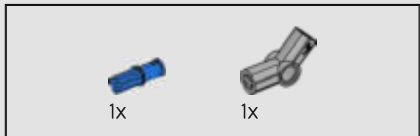
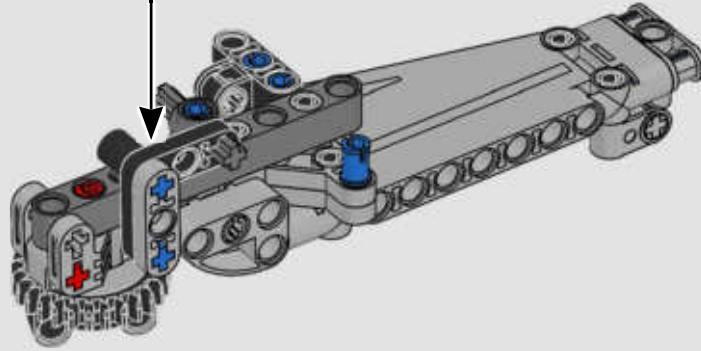
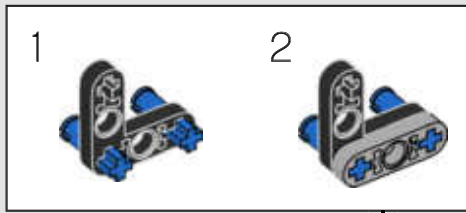


307

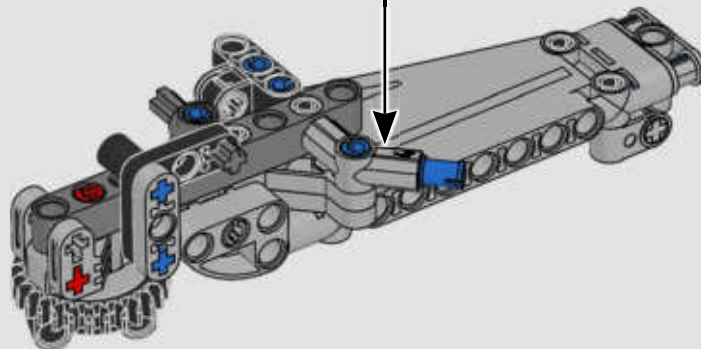


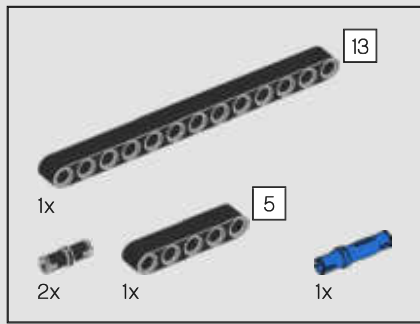


308

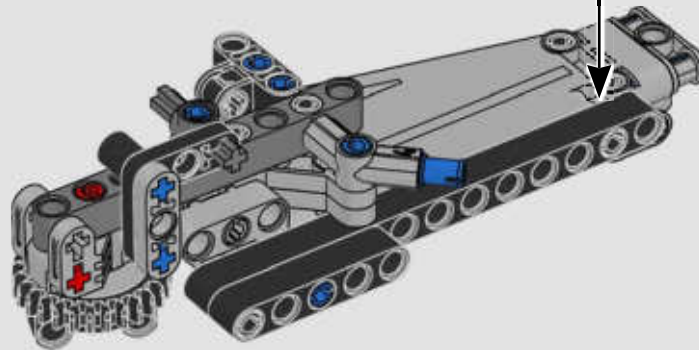
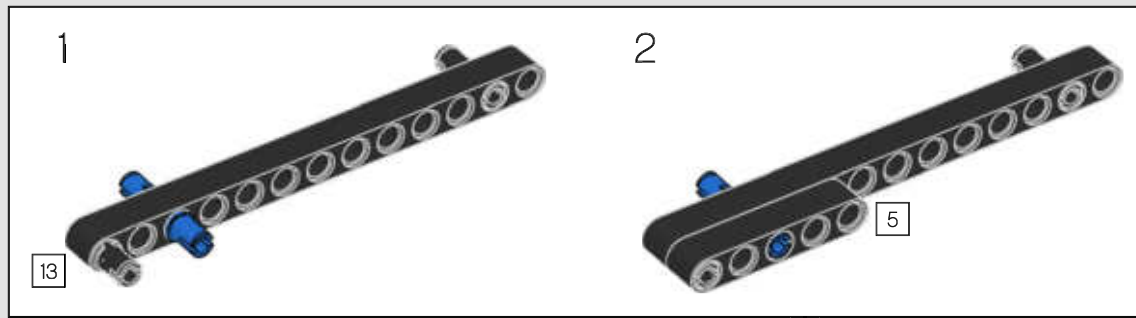


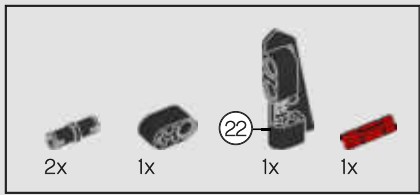
309



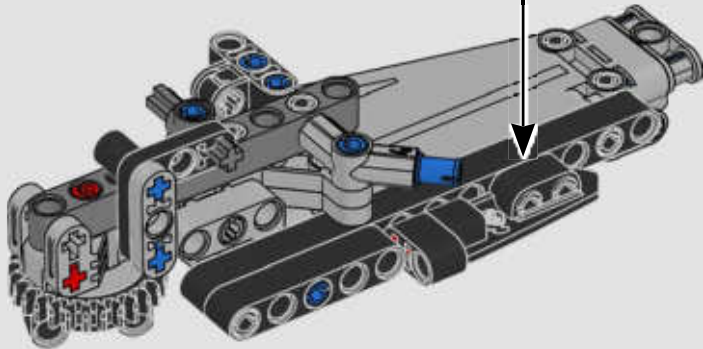
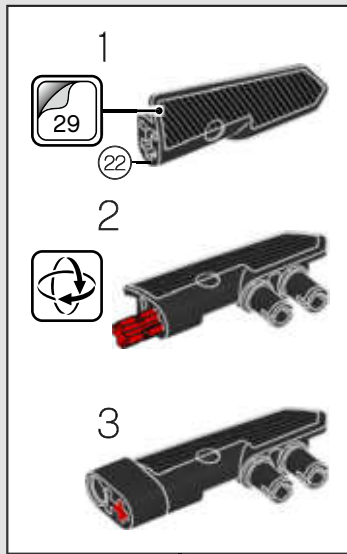


310

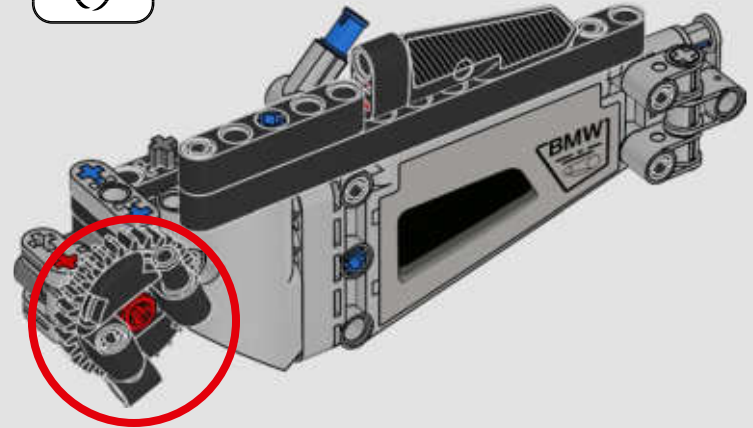
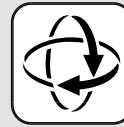




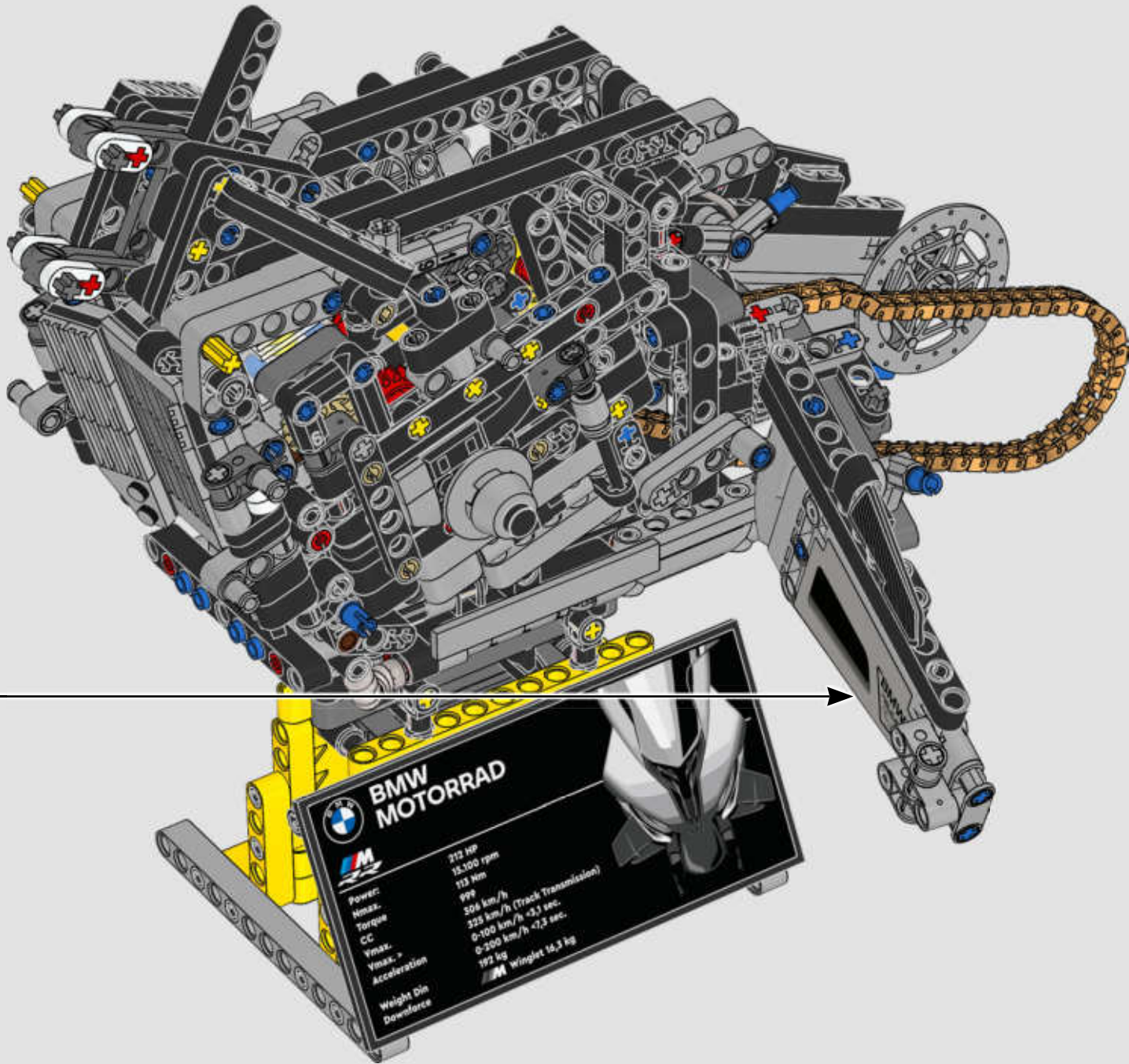
311



312



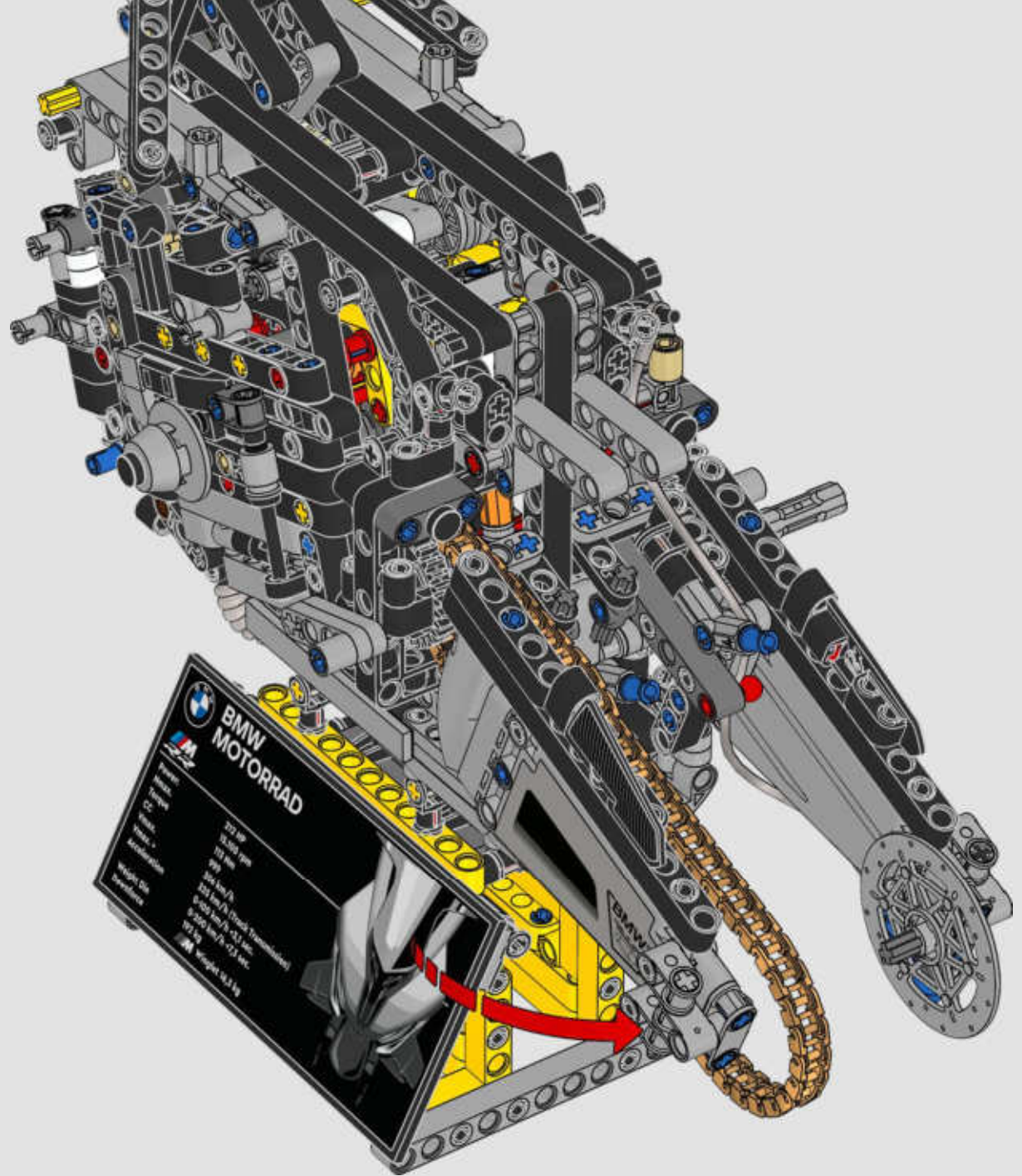
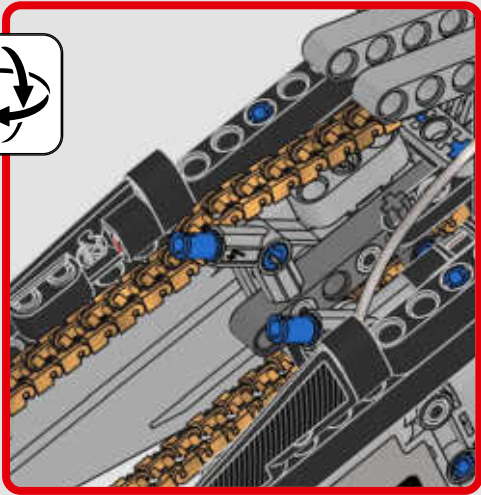
313



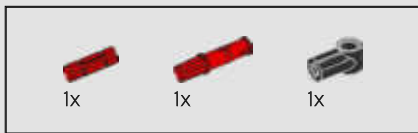
 **BMW
MOTORRAD**

Power: 212 HP
13,100 rpm
113 Nm
999
Max. Speed: 306 km/h (Track Transmission)
Torque: 325 km/h / 4.3 sec.
CC: 0-100 km/h / 4.3 sec.
Ymax: 0-200 km/h / 7.3 sec.
Acceleration: 192 kg
Winglet 16,3 kg

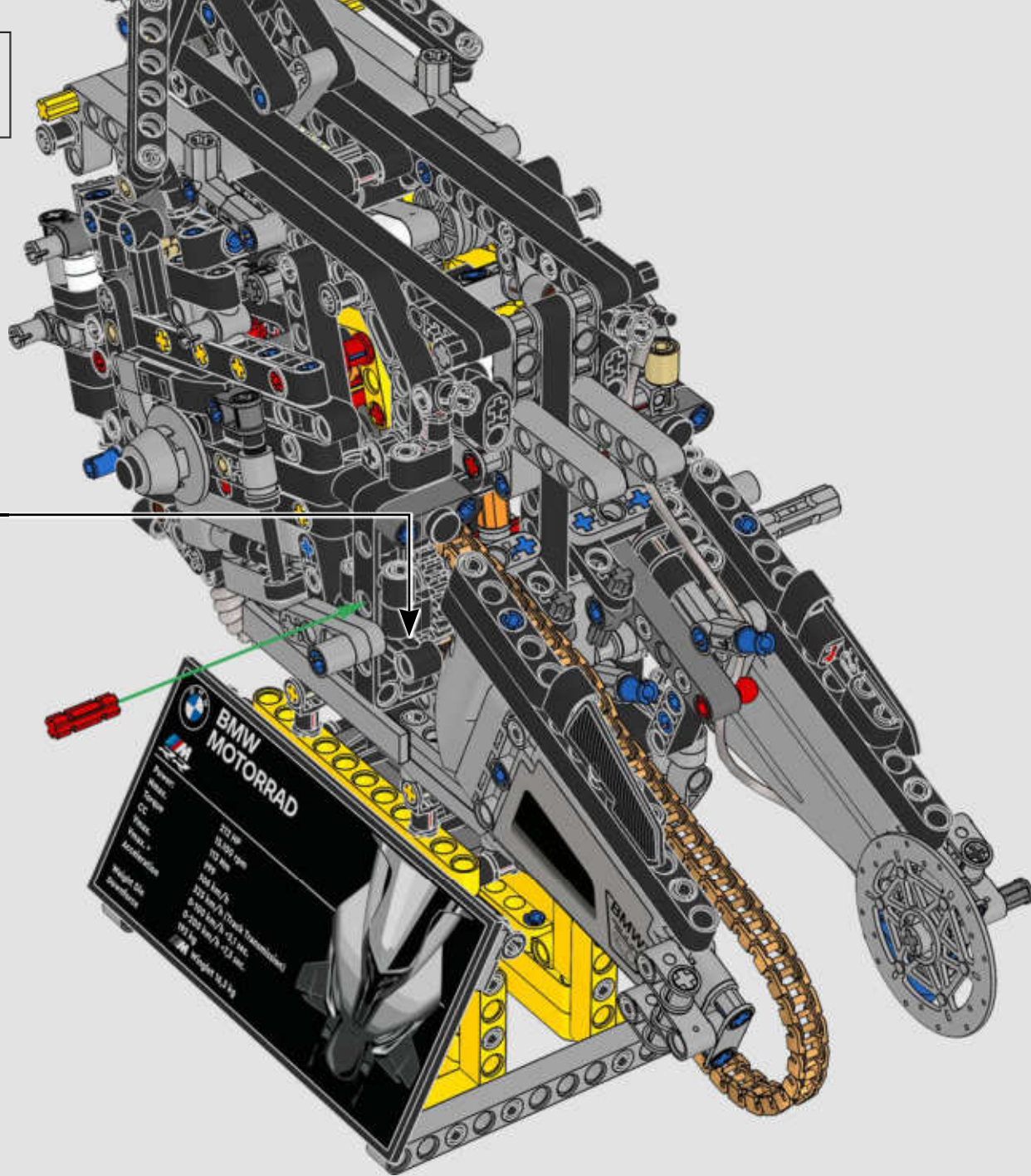
Weight Din
Downforce



BMW MOTORRAD	
Power	22.0 hp
Max. Torque	9.500 rpm
DC Voltage	9V
Weight	1.8 kg
Acceleration	0-100 km/h
Weight (dry)	2.5 kg
Weight (with accessories)	3.0 kg
	0-100 km/h (1st gear)
	0-100 km/h (5.1 sec)
	0-100 km/h (7.1 sec)
	Weight: 18.5 kg

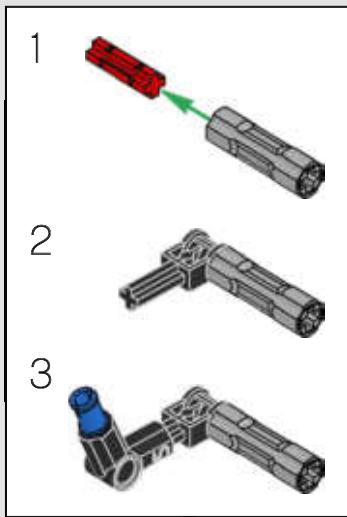
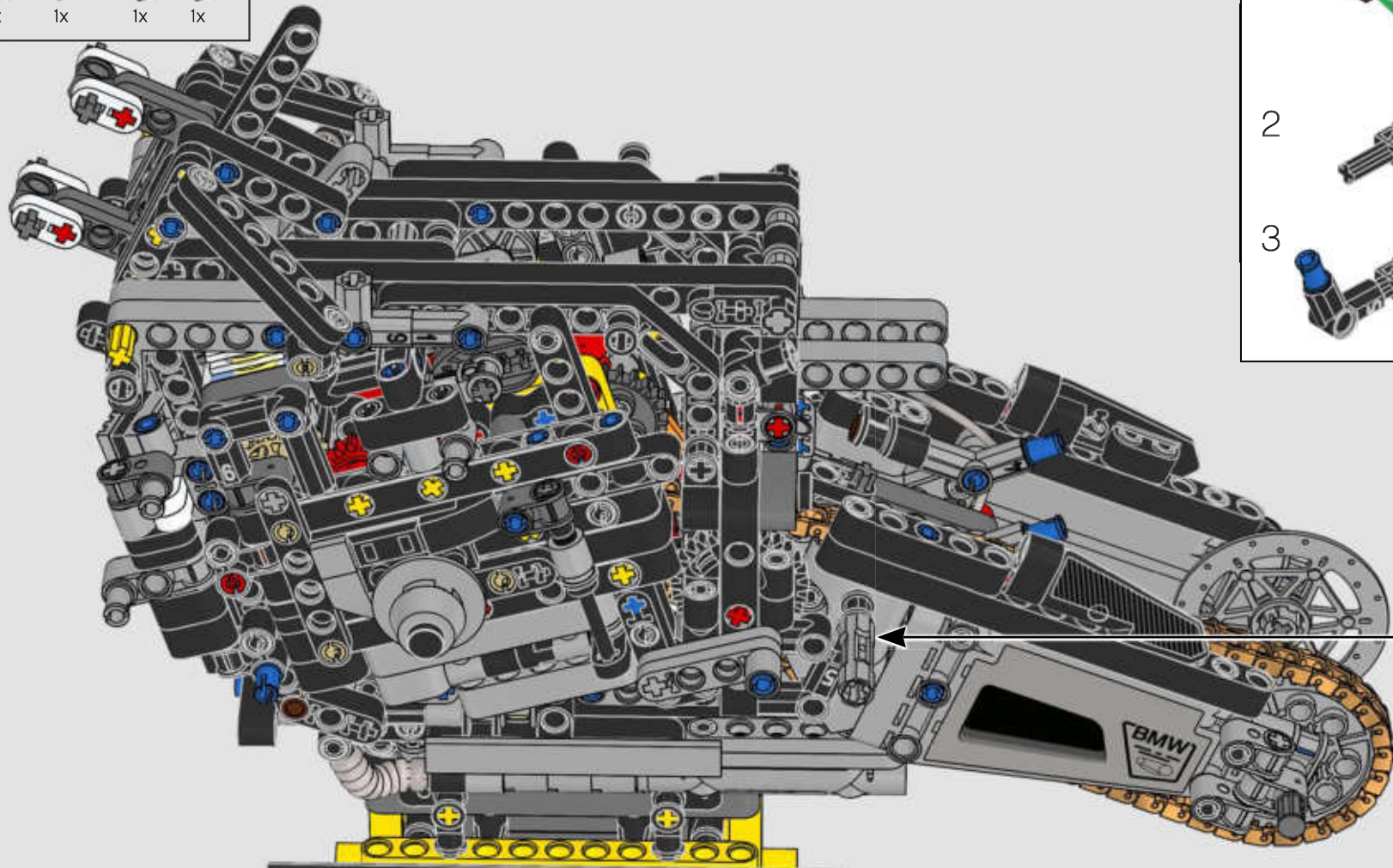


315



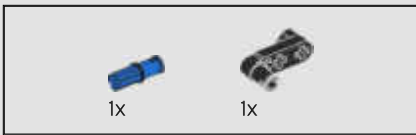


317

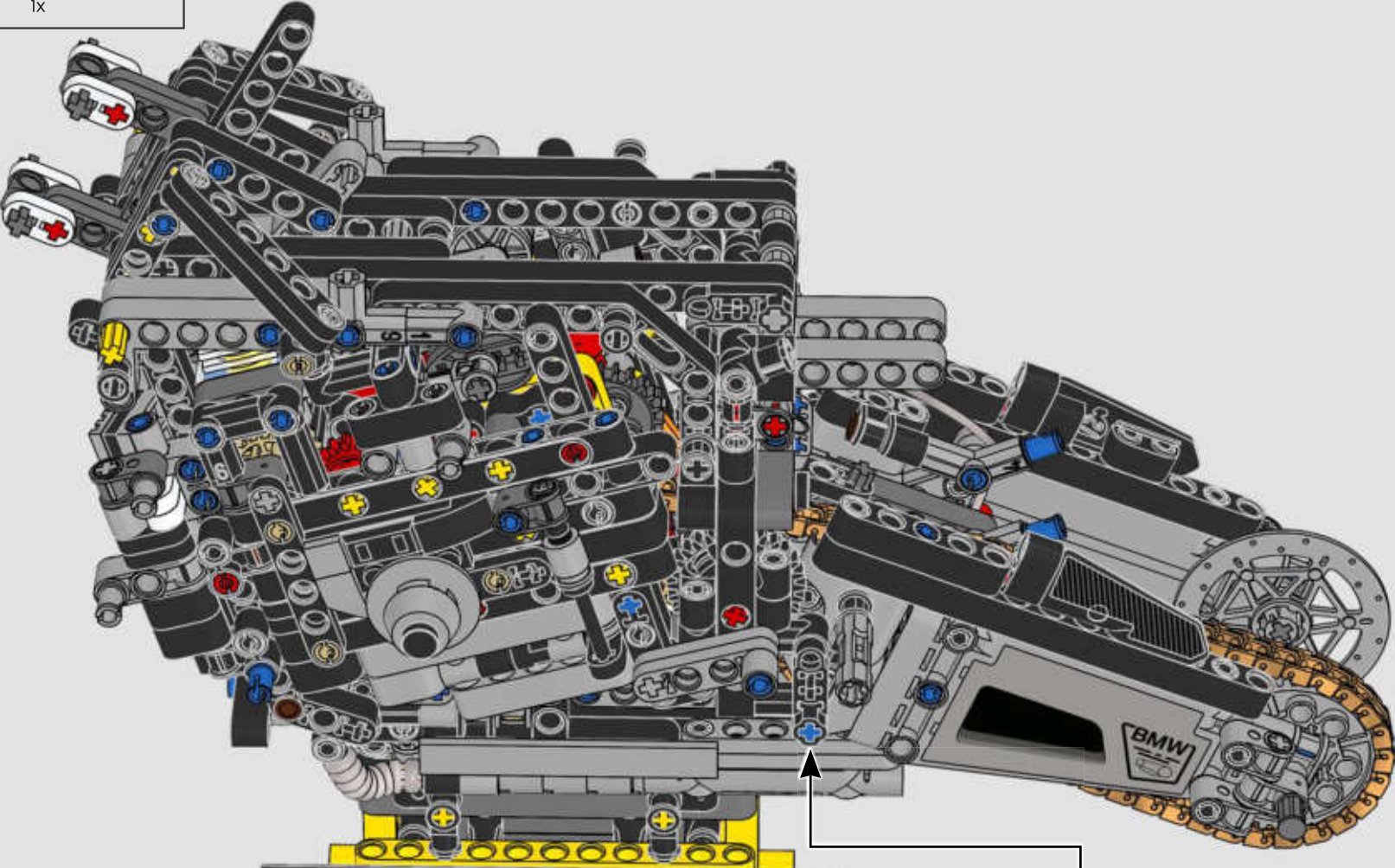


BMW
MOTORRAD

Power:	212 HP
Rmax:	15.100 rpm
Torque	115 Nm
CC	999
Vmax:	306 km/h
Vmax >	325 km/h (Track Transmission)
Acceleration	0-100 km/h <3,1 sec.
	0-200 km/h <7,3 sec.
Weight Din	192 kg
Downforce	Winglet 16,3 kg



318

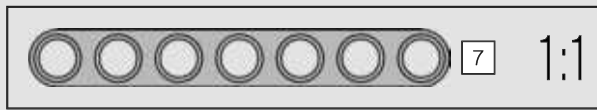
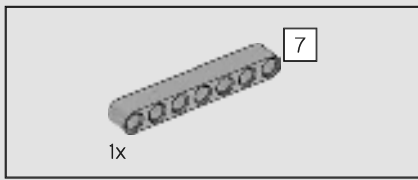


BMW

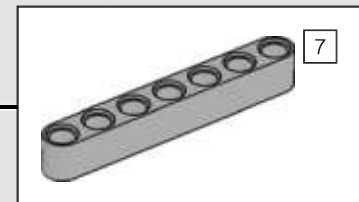
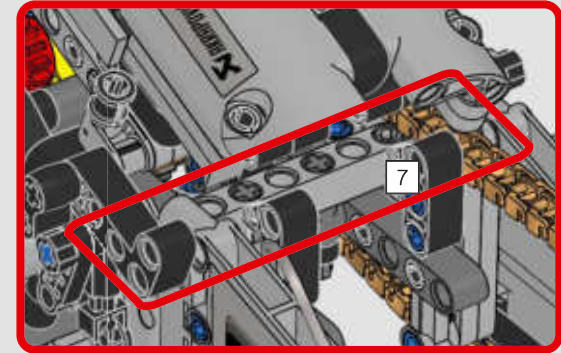
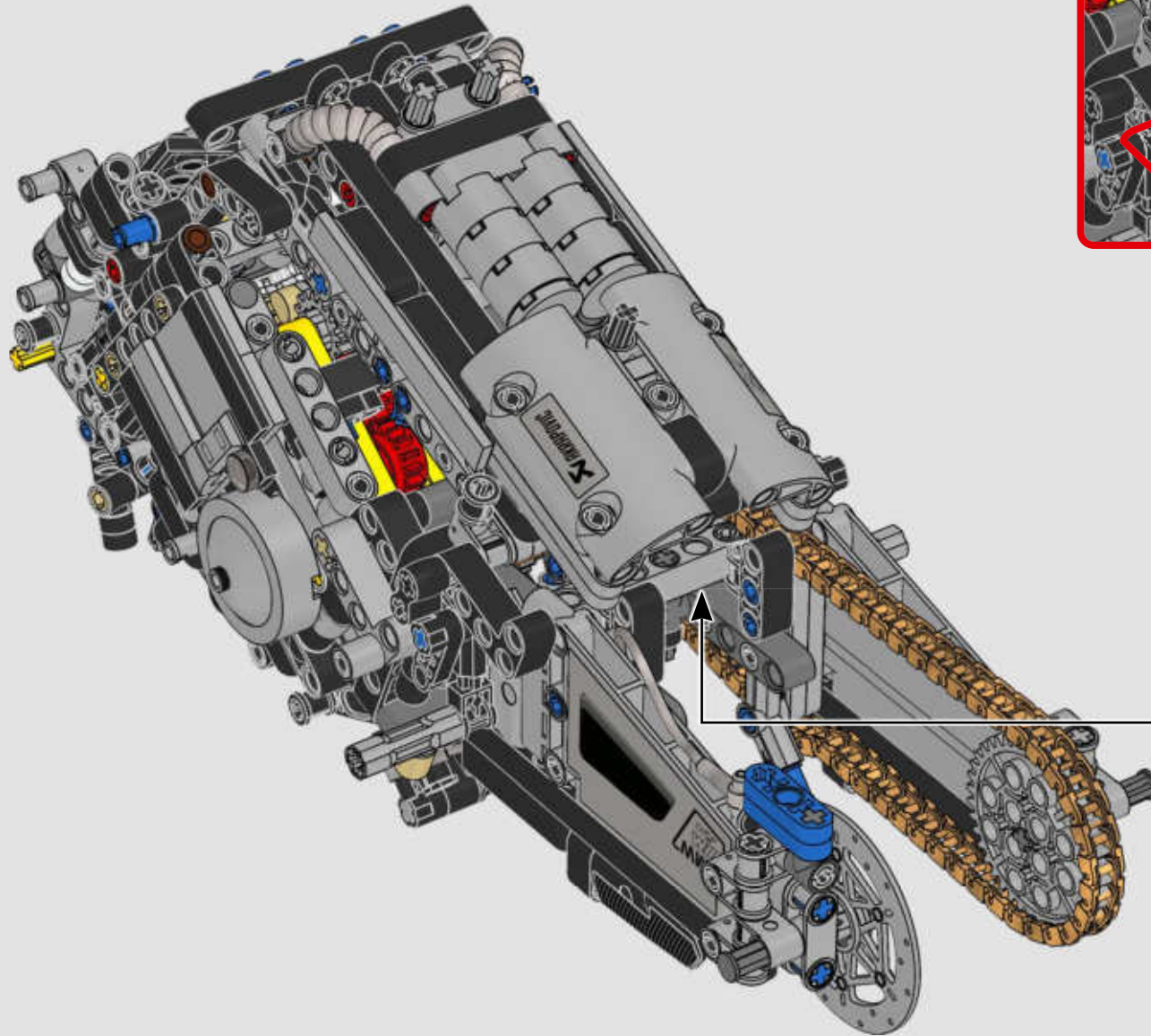
MOTORRAD

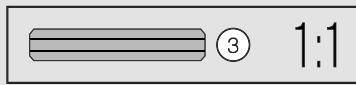
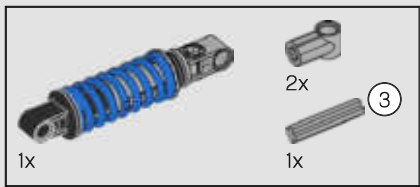
Power:	212 HP
Nmax:	15,100 rpm
Torque	113 Nm
CC	999
Vmax:	304 km/h
Vmax. >	325 km/h (Track Transmission)
Acceleration	0-100 km/h <3,1 sec.
	0-200 km/h <7,3 sec.
Weight Din	192 kg
Downforce	Winglet 16,3 kg



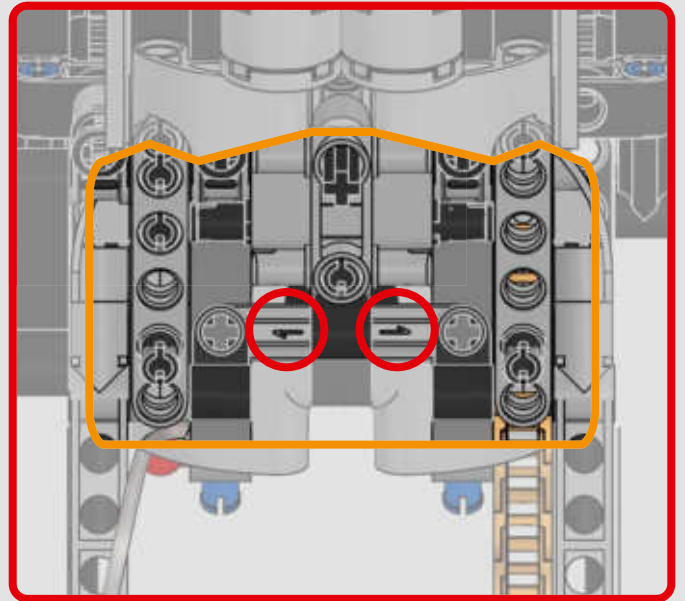
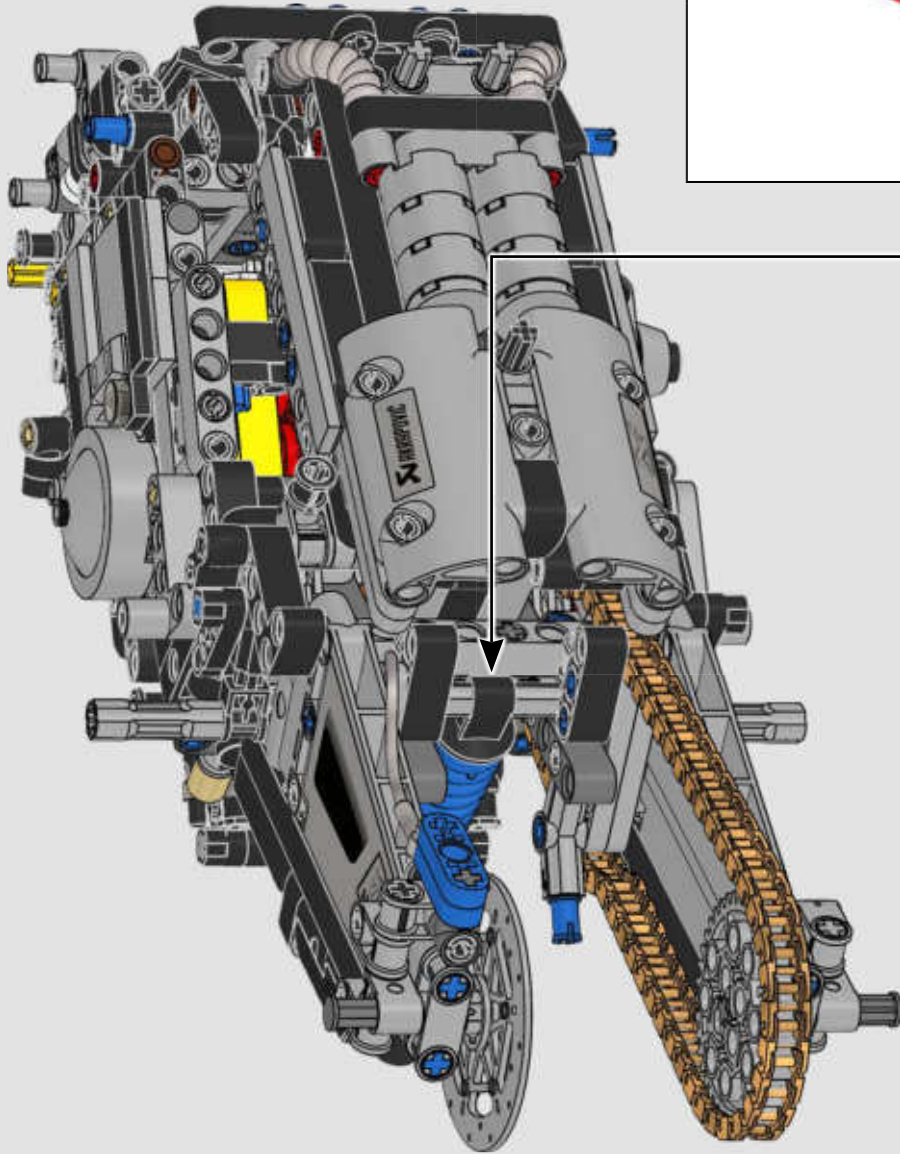
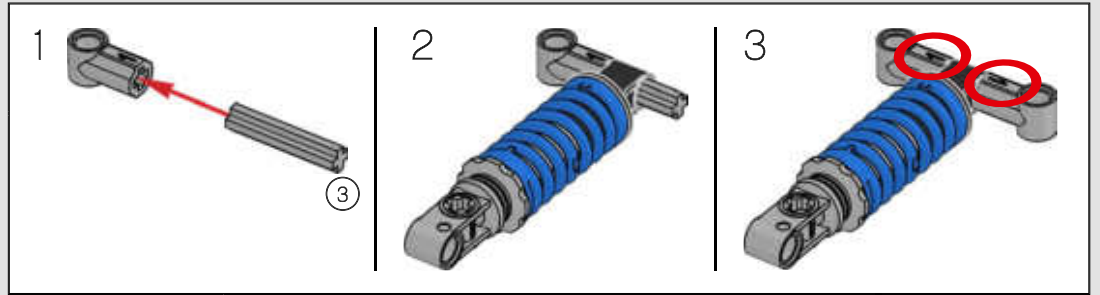


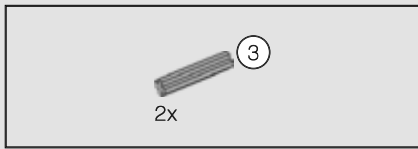
319



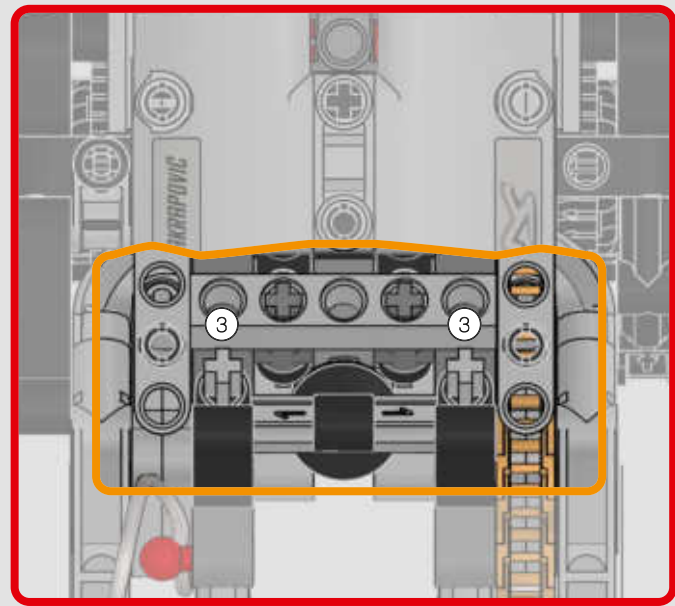
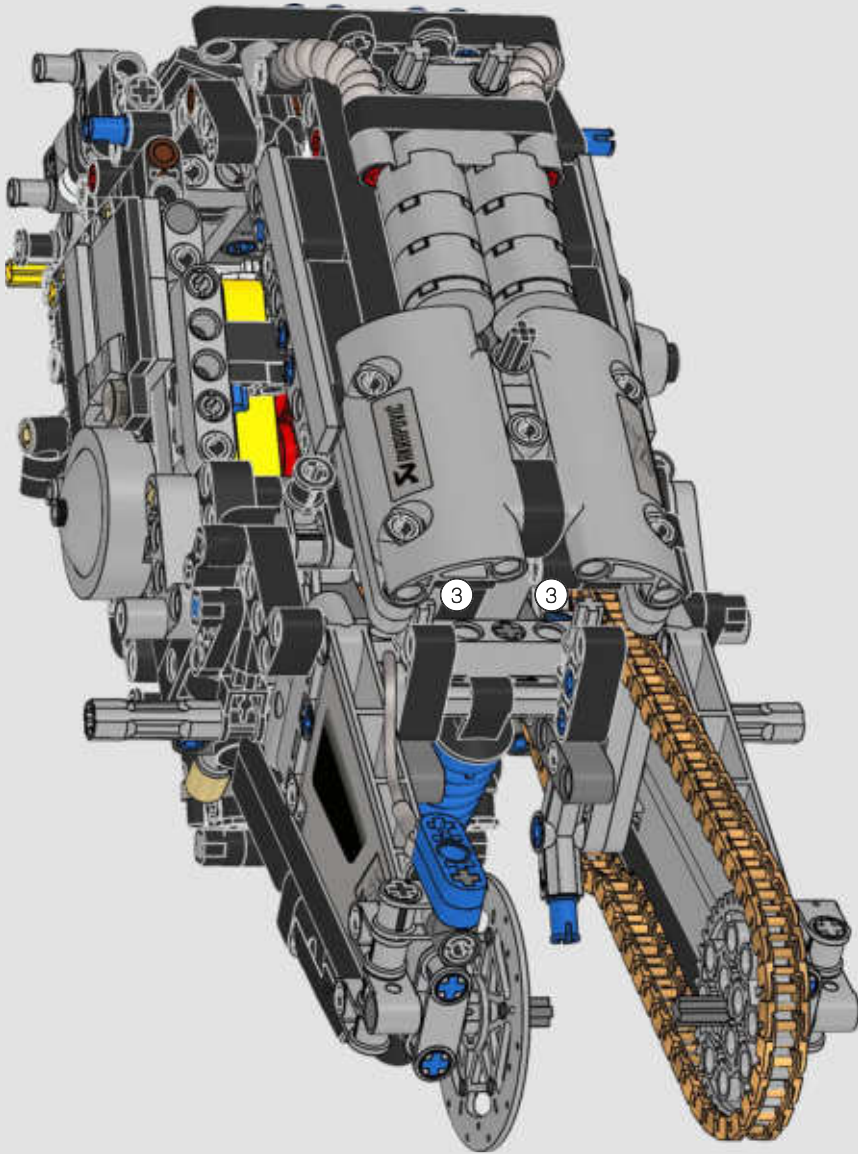


320



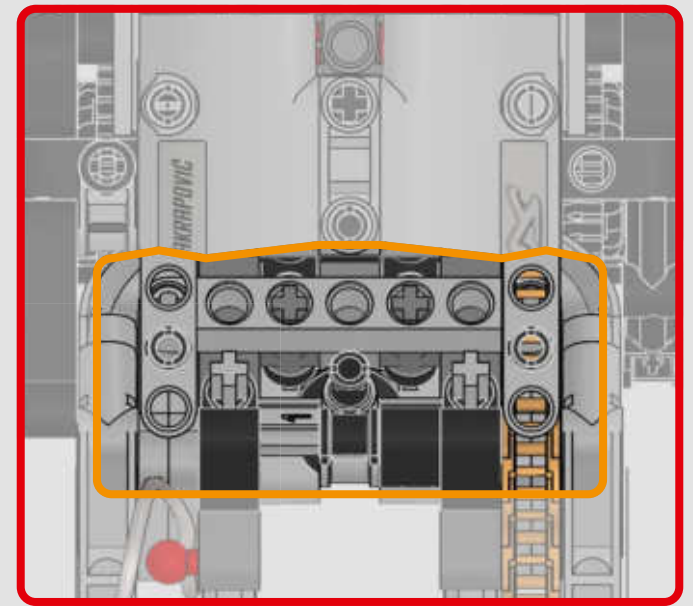
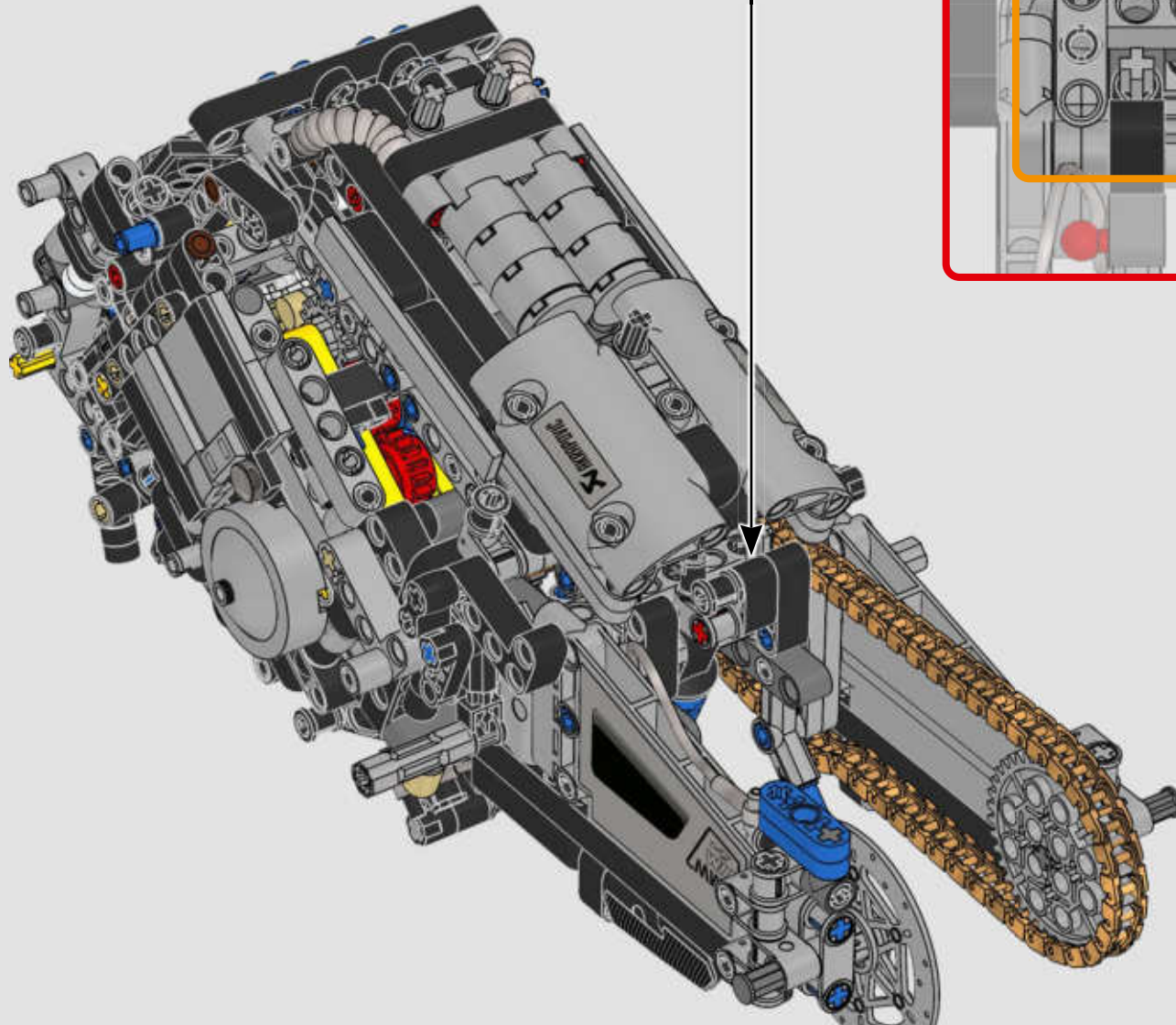
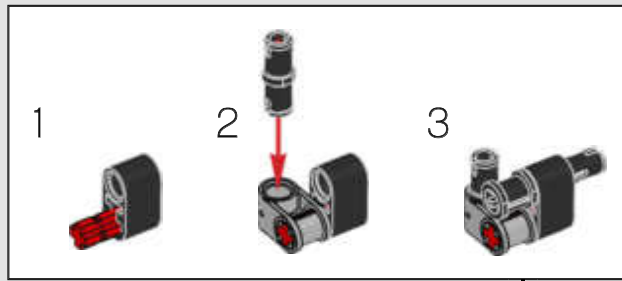


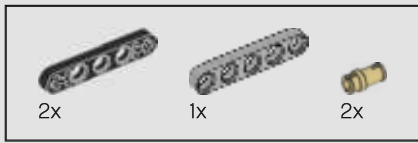
321



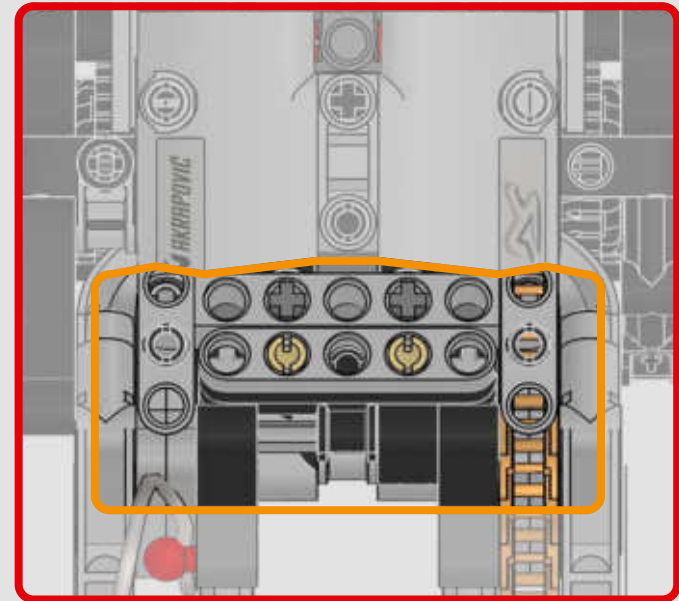
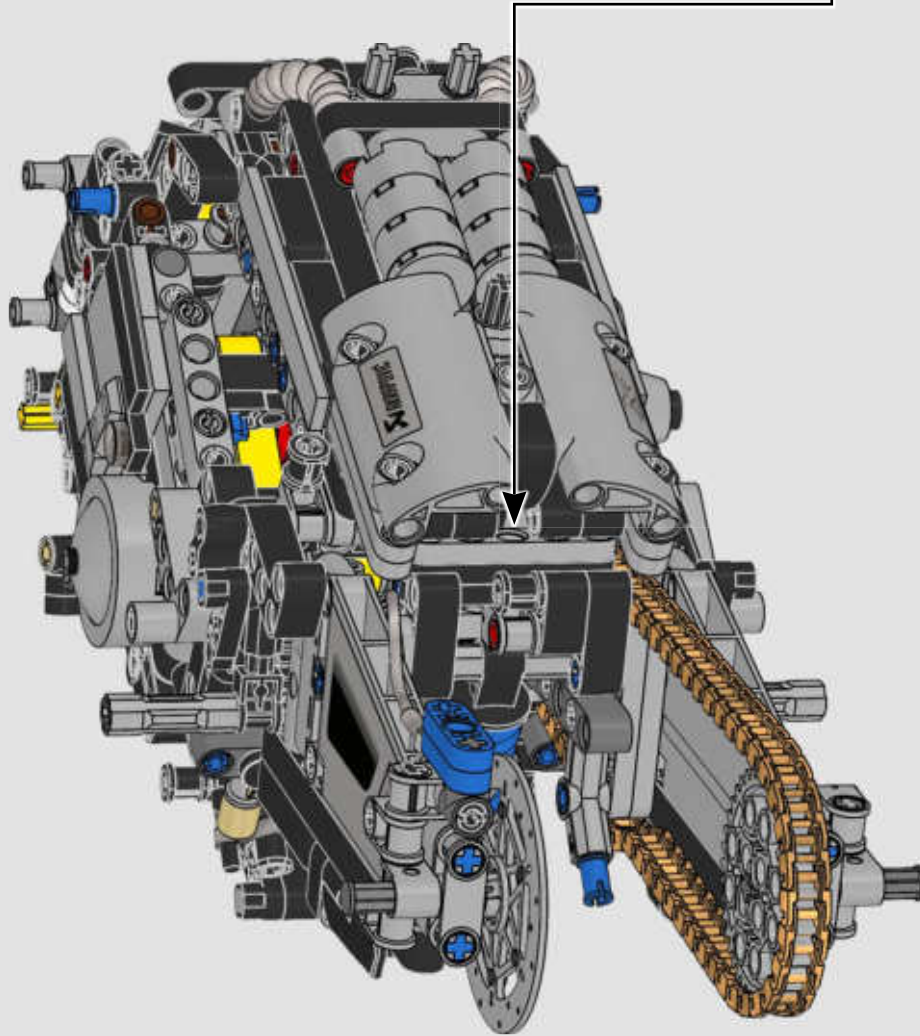
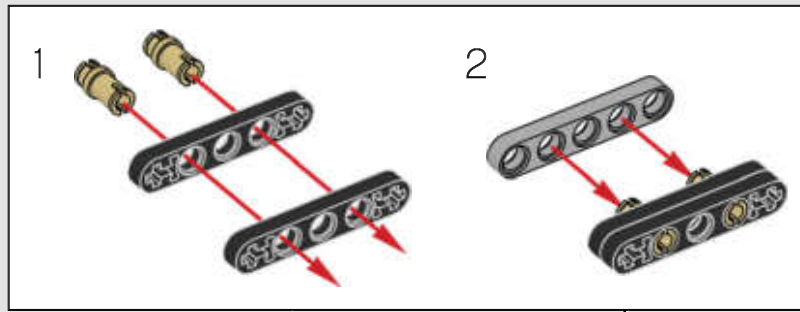


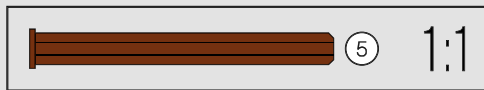
322



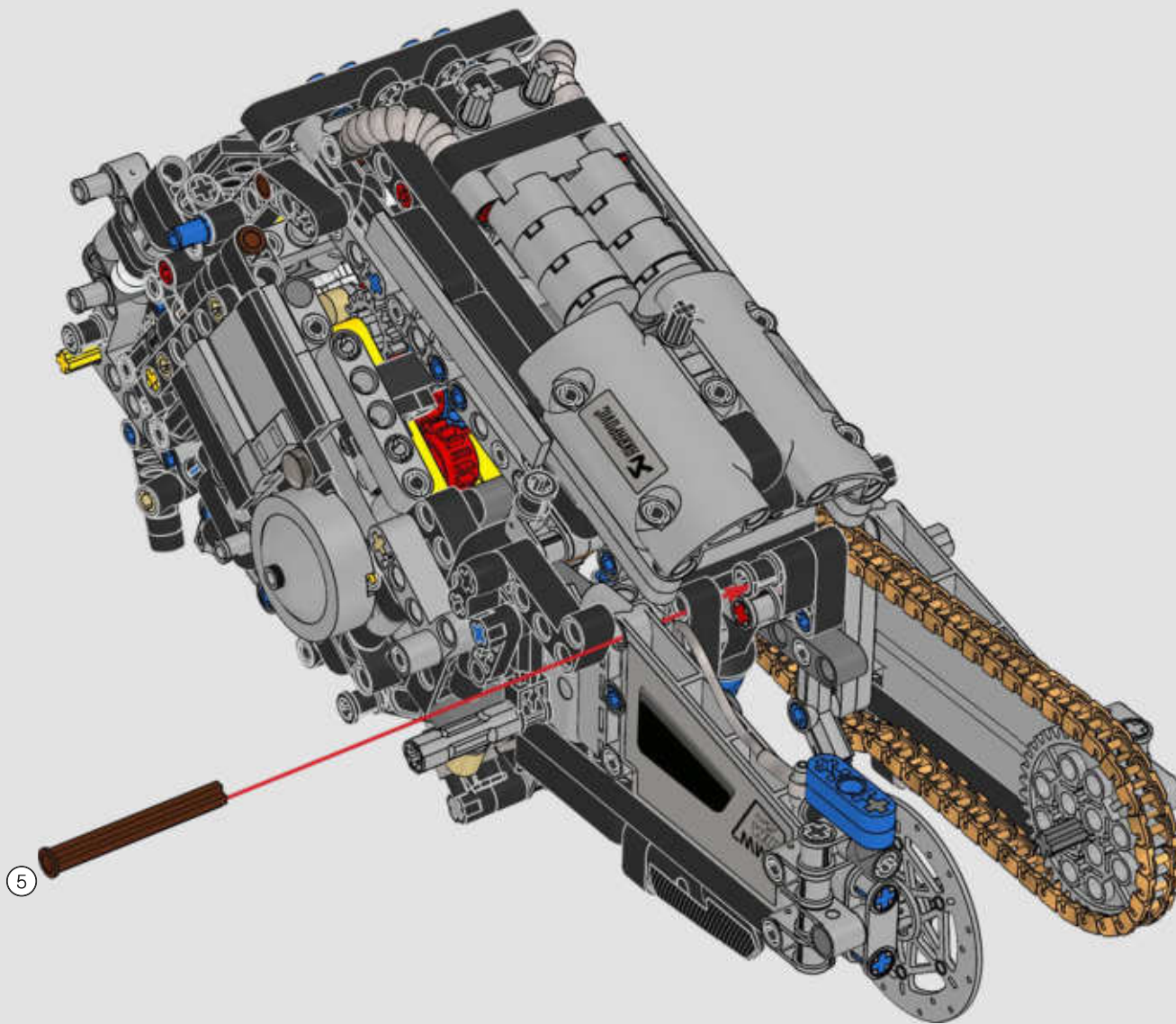


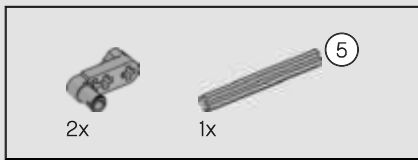
323



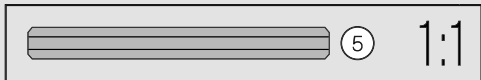
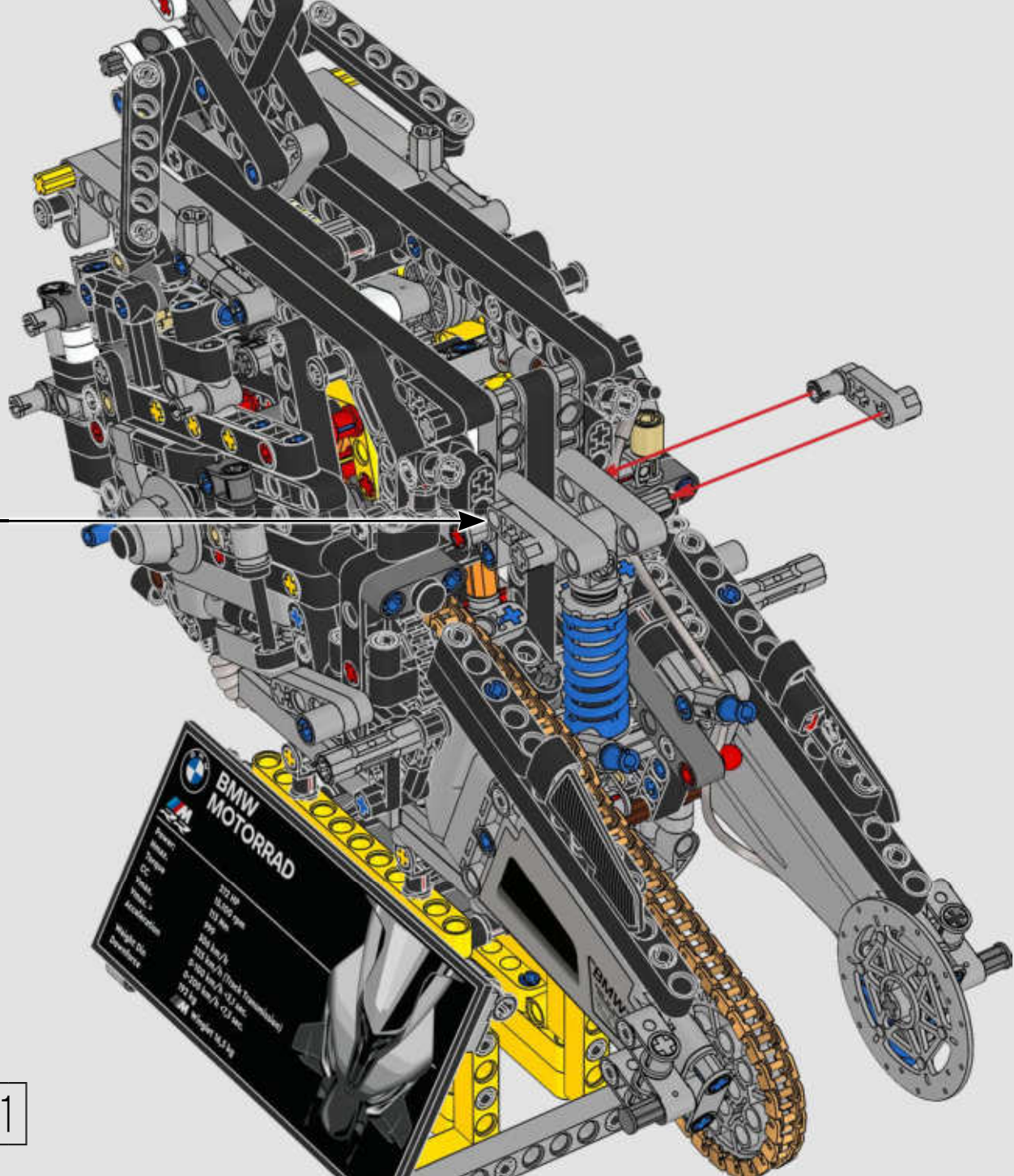
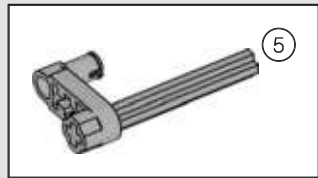


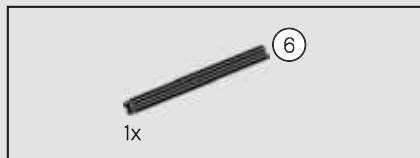
324



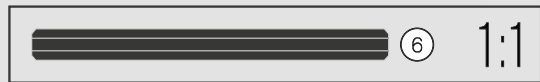
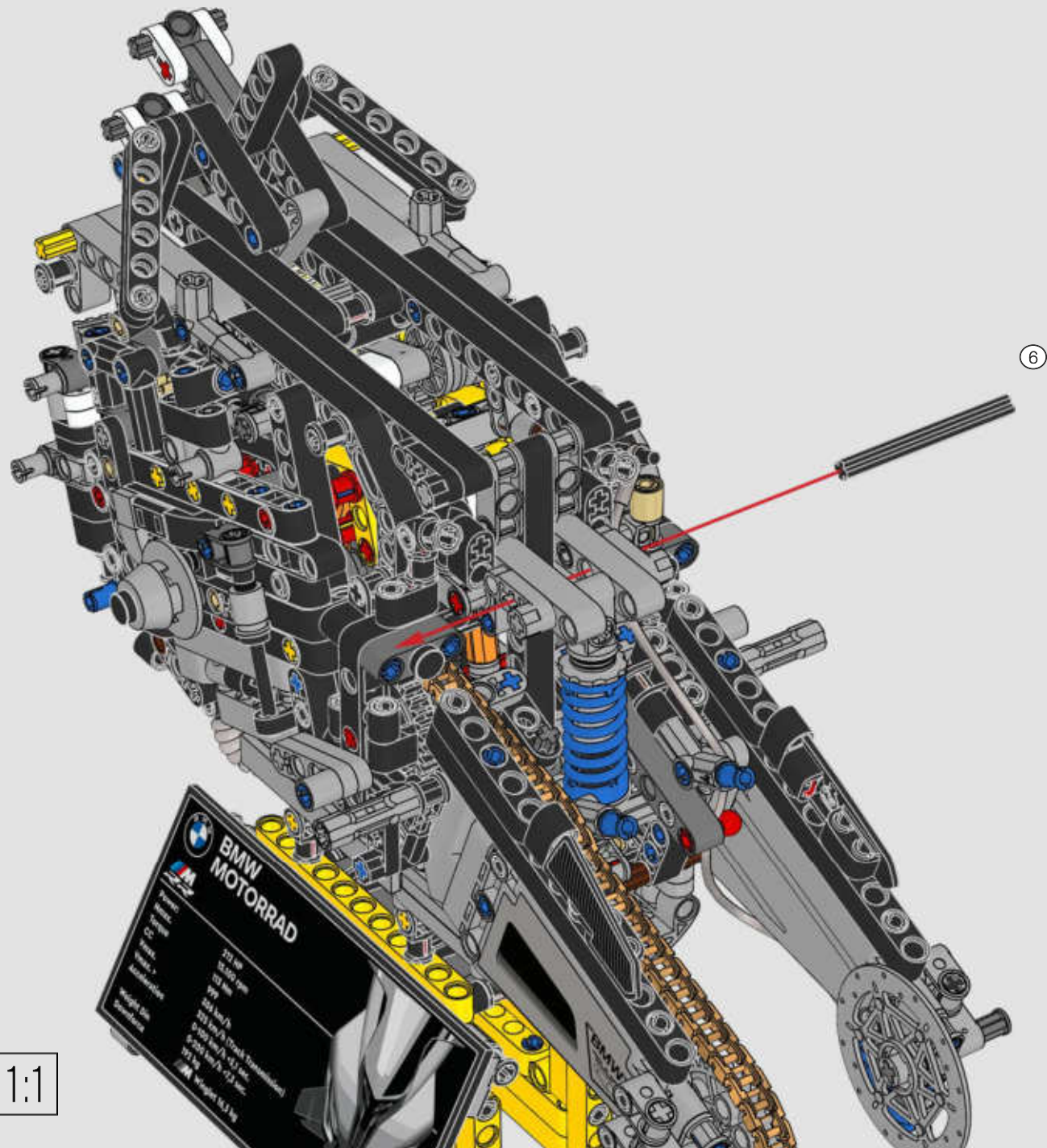


325



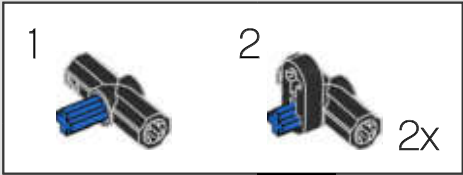
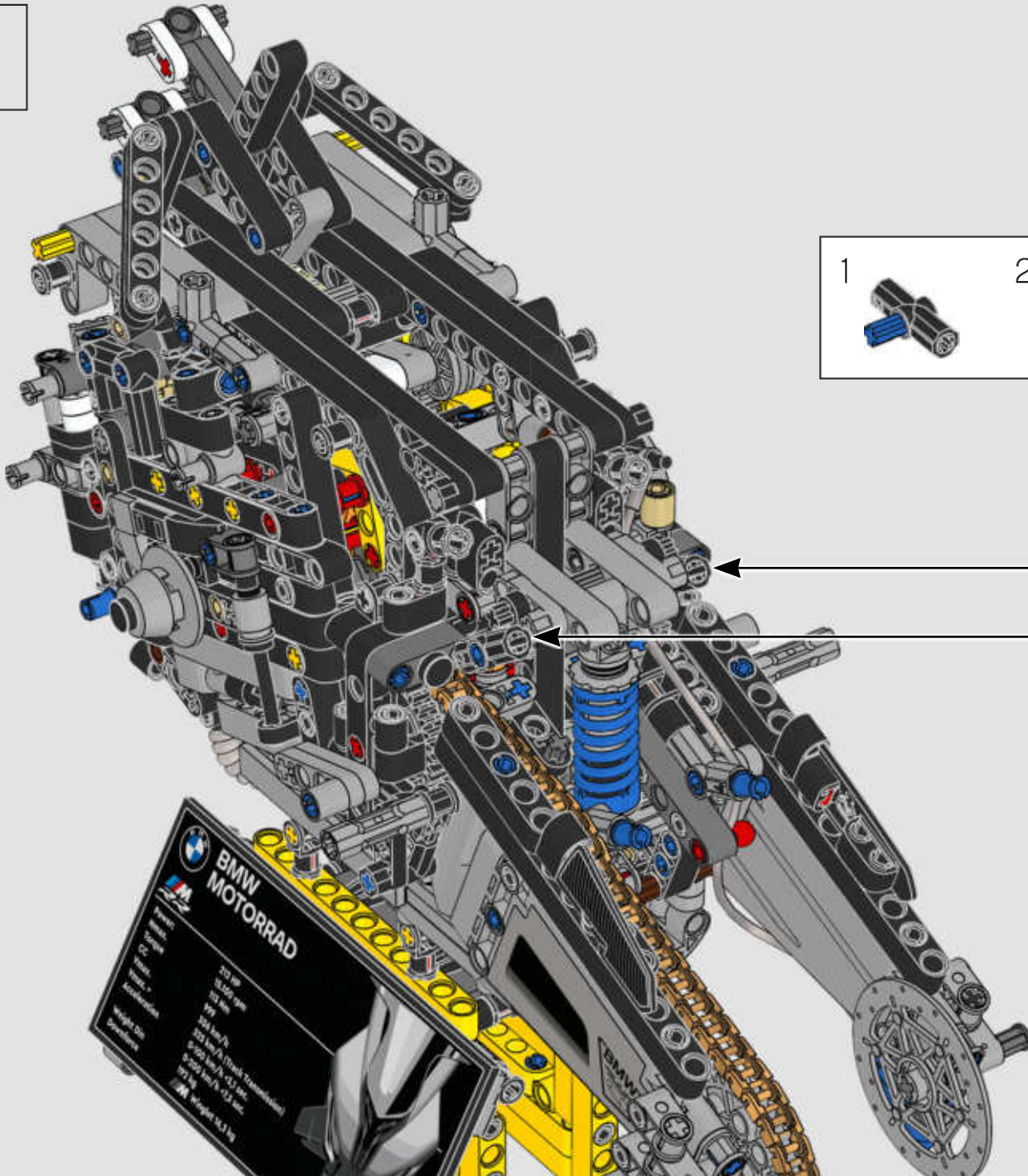


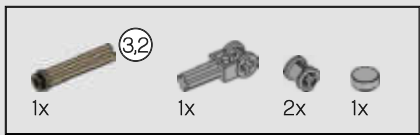
326



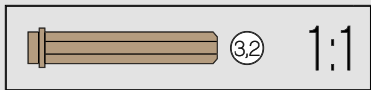
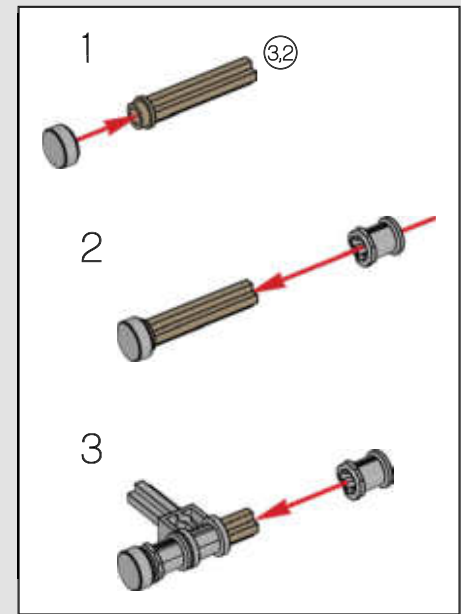
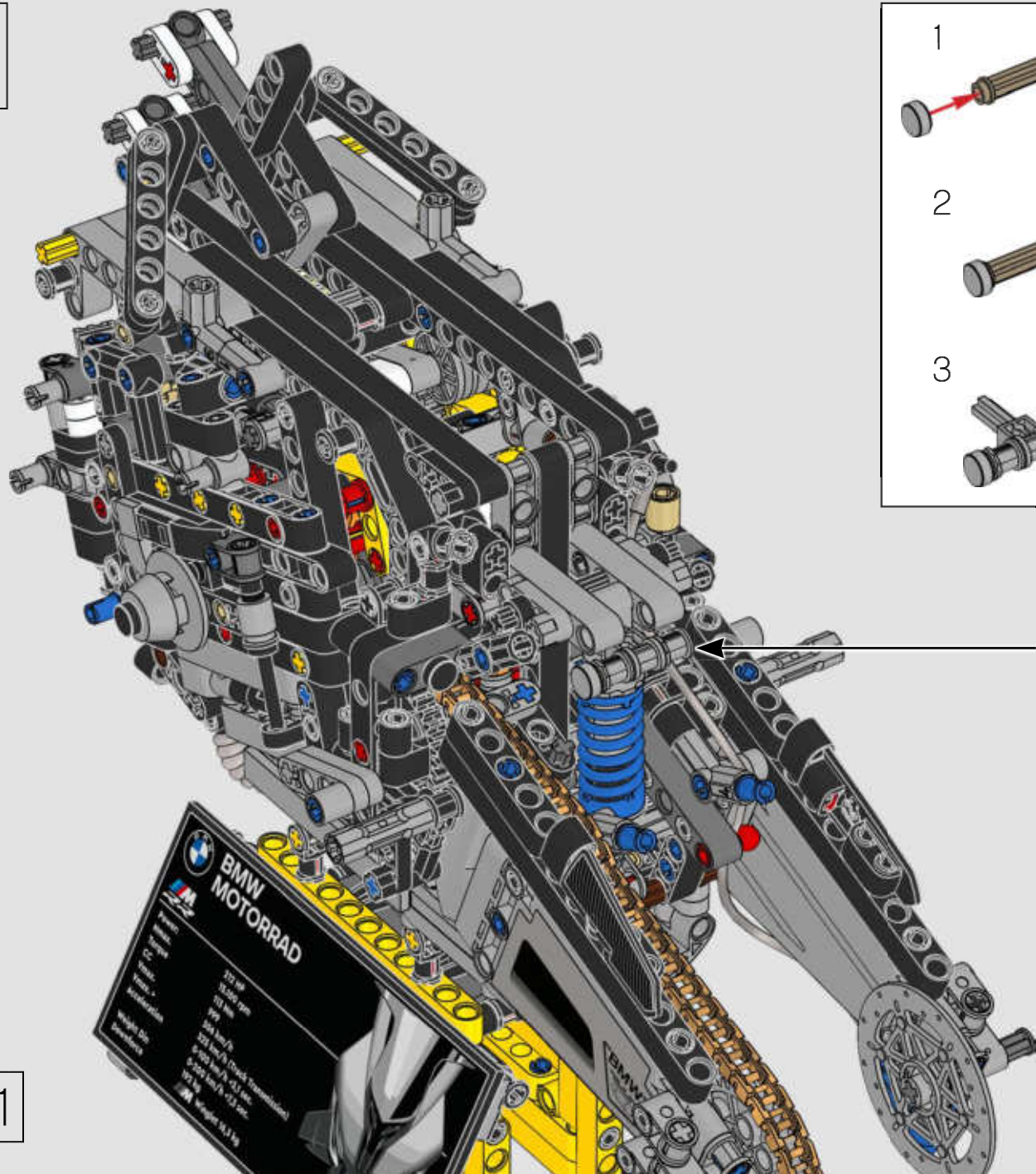


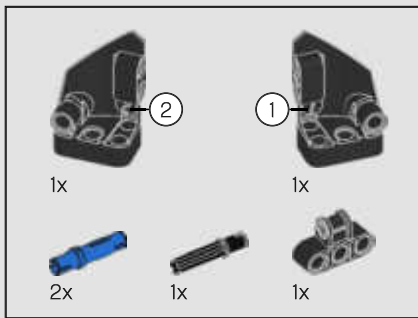
327



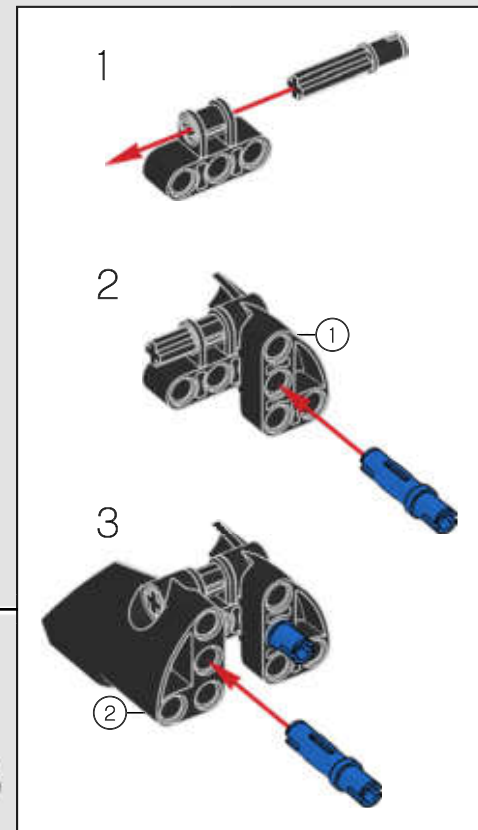
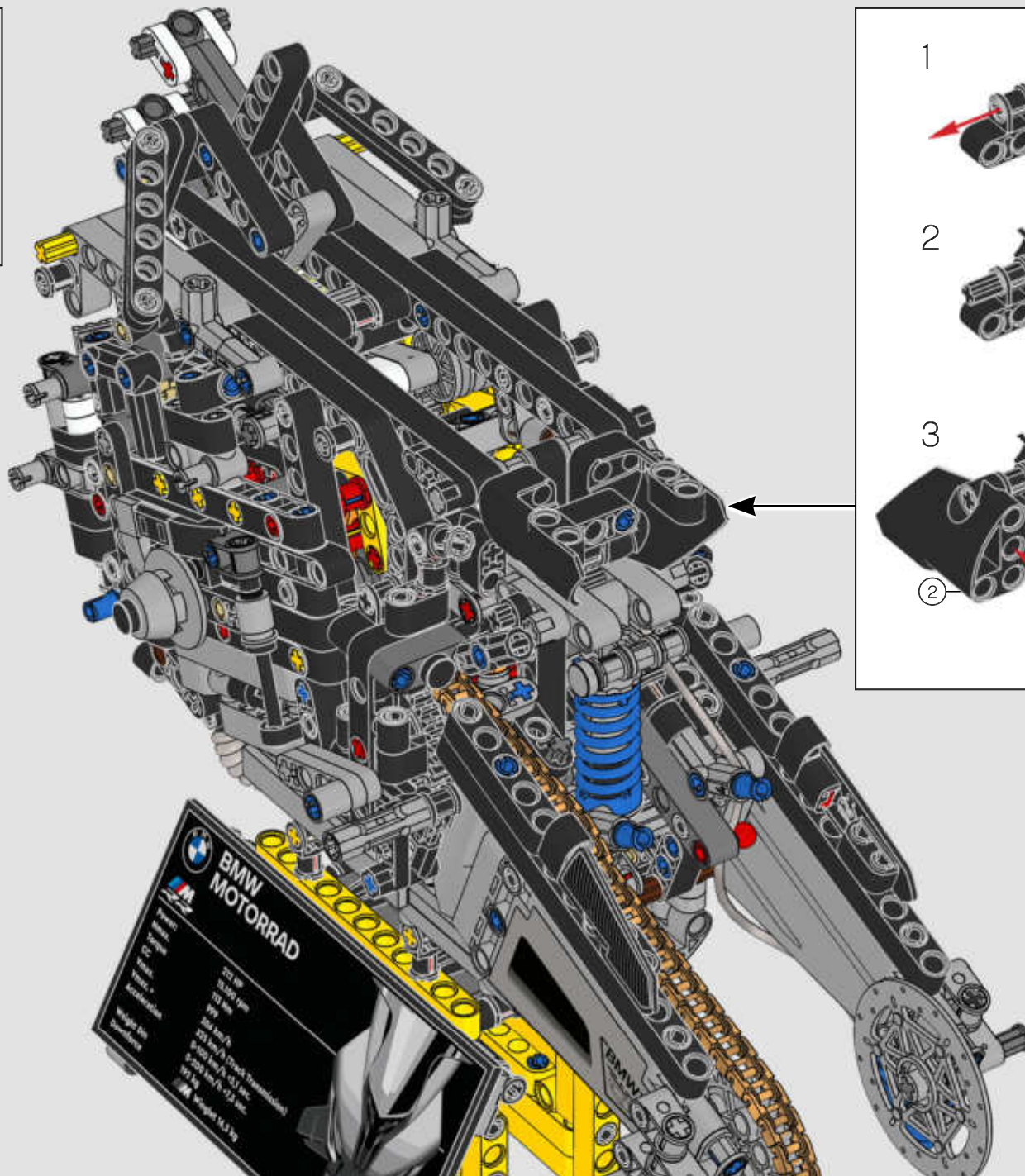


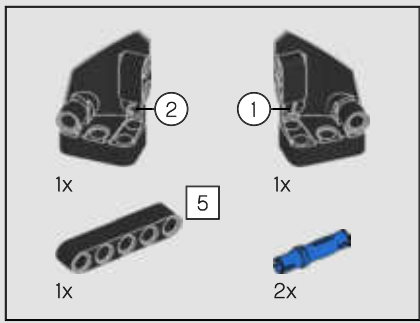
328



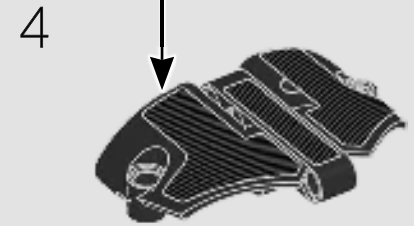
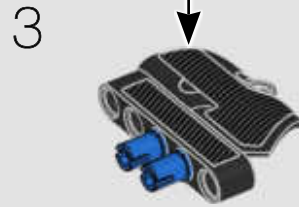
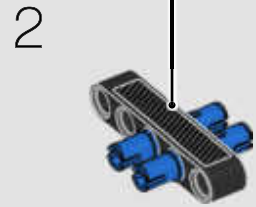
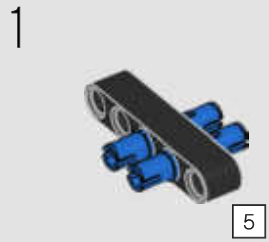


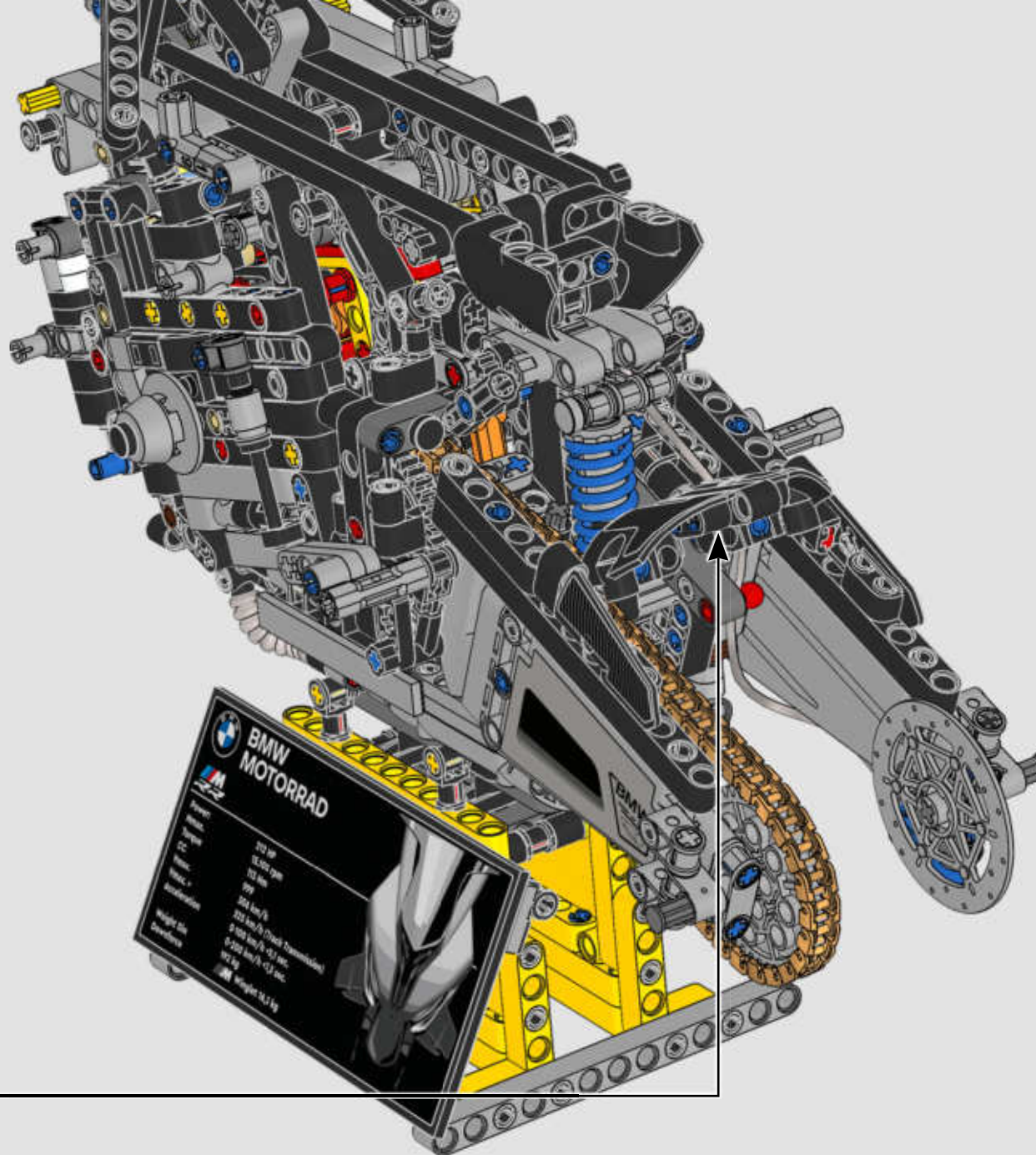
329

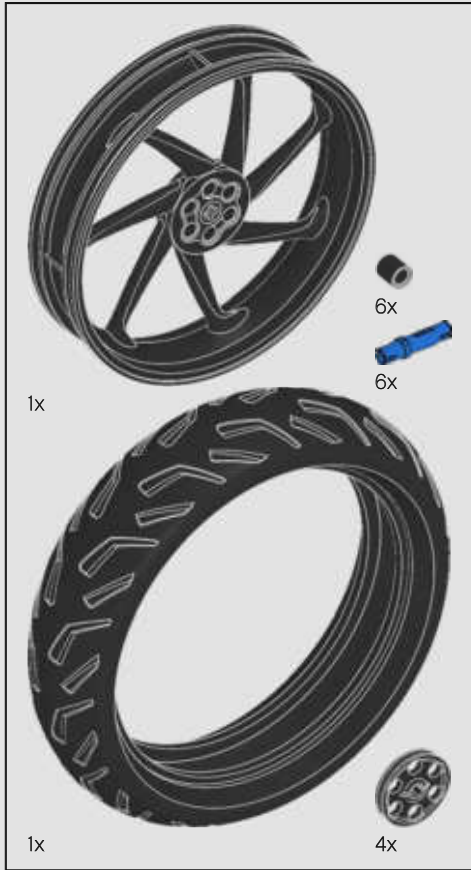




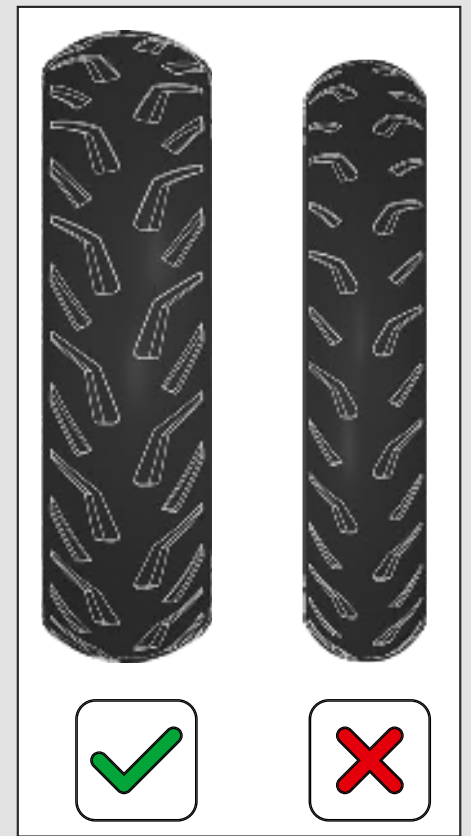
330



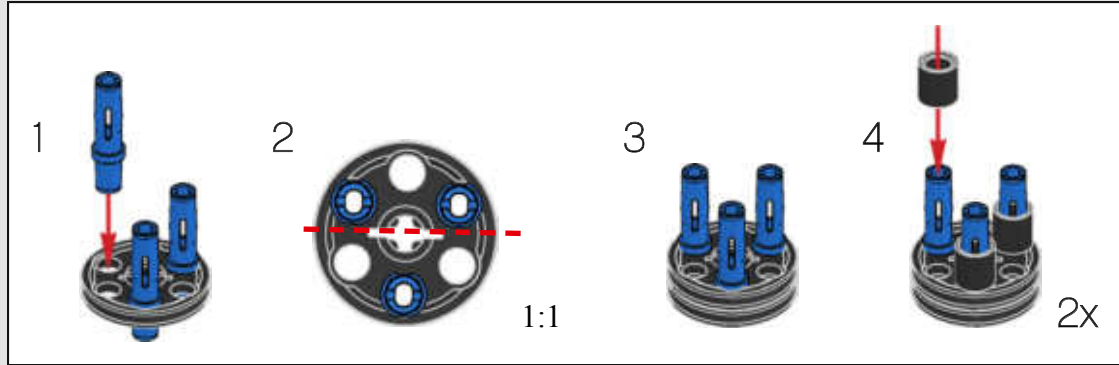




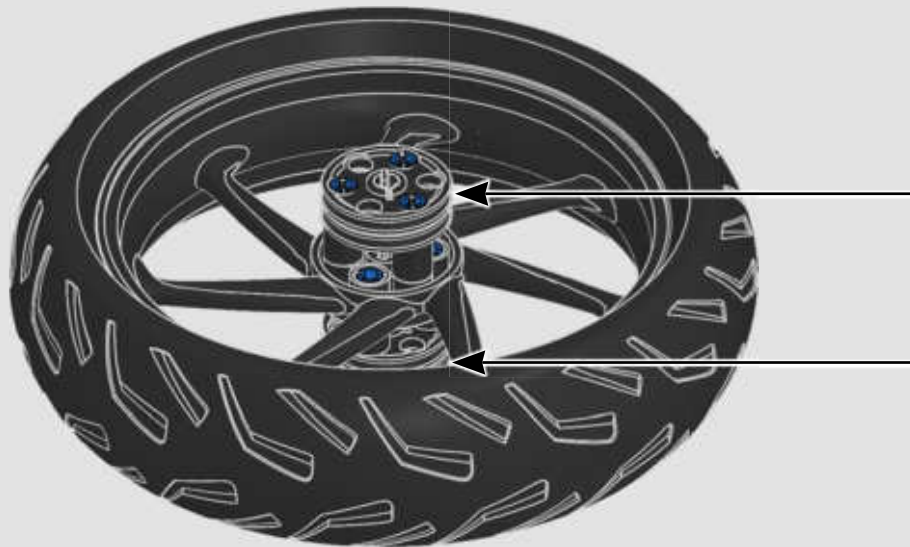
1

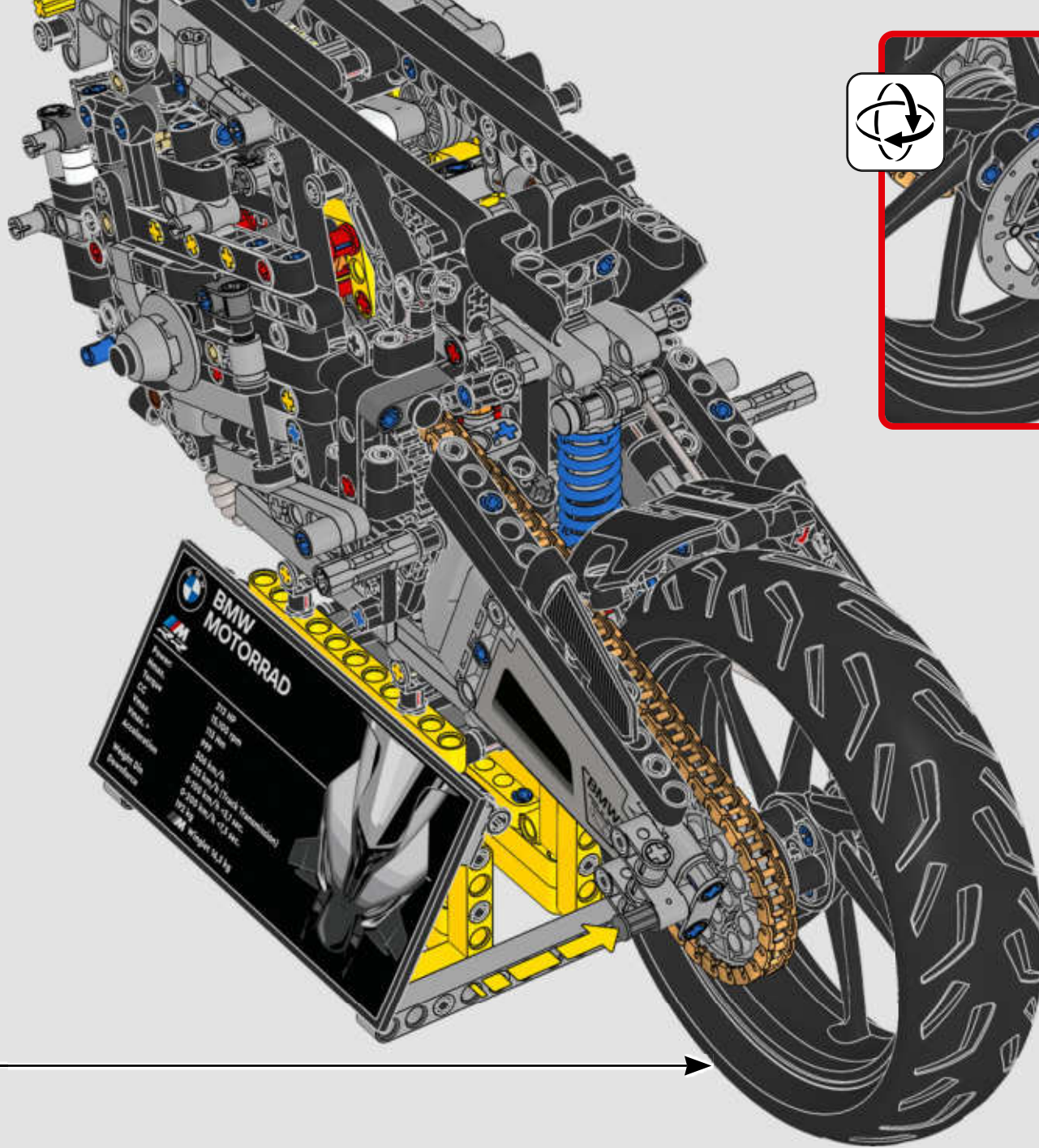


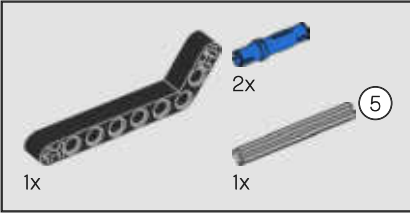
331



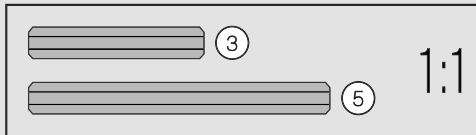
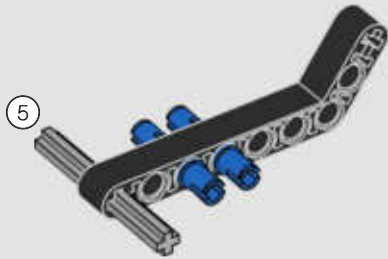
2



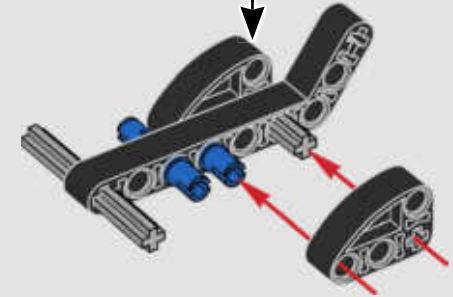




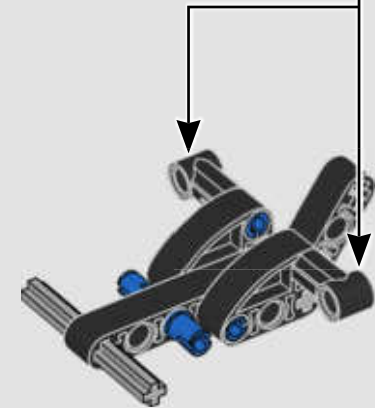
332

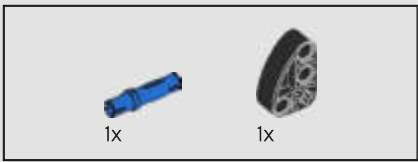


333

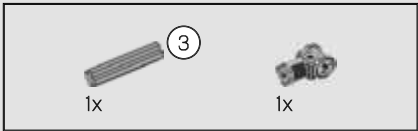
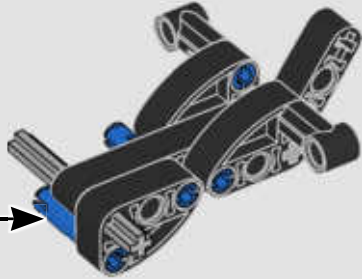


334

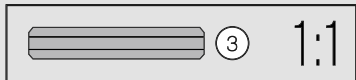
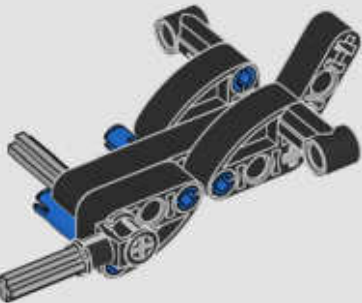
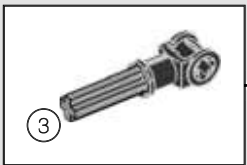




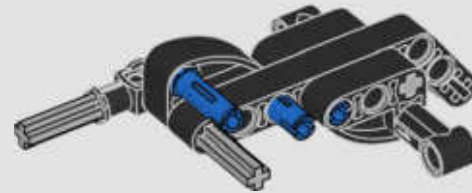
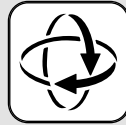
335

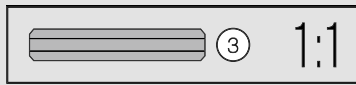
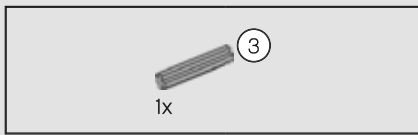


336

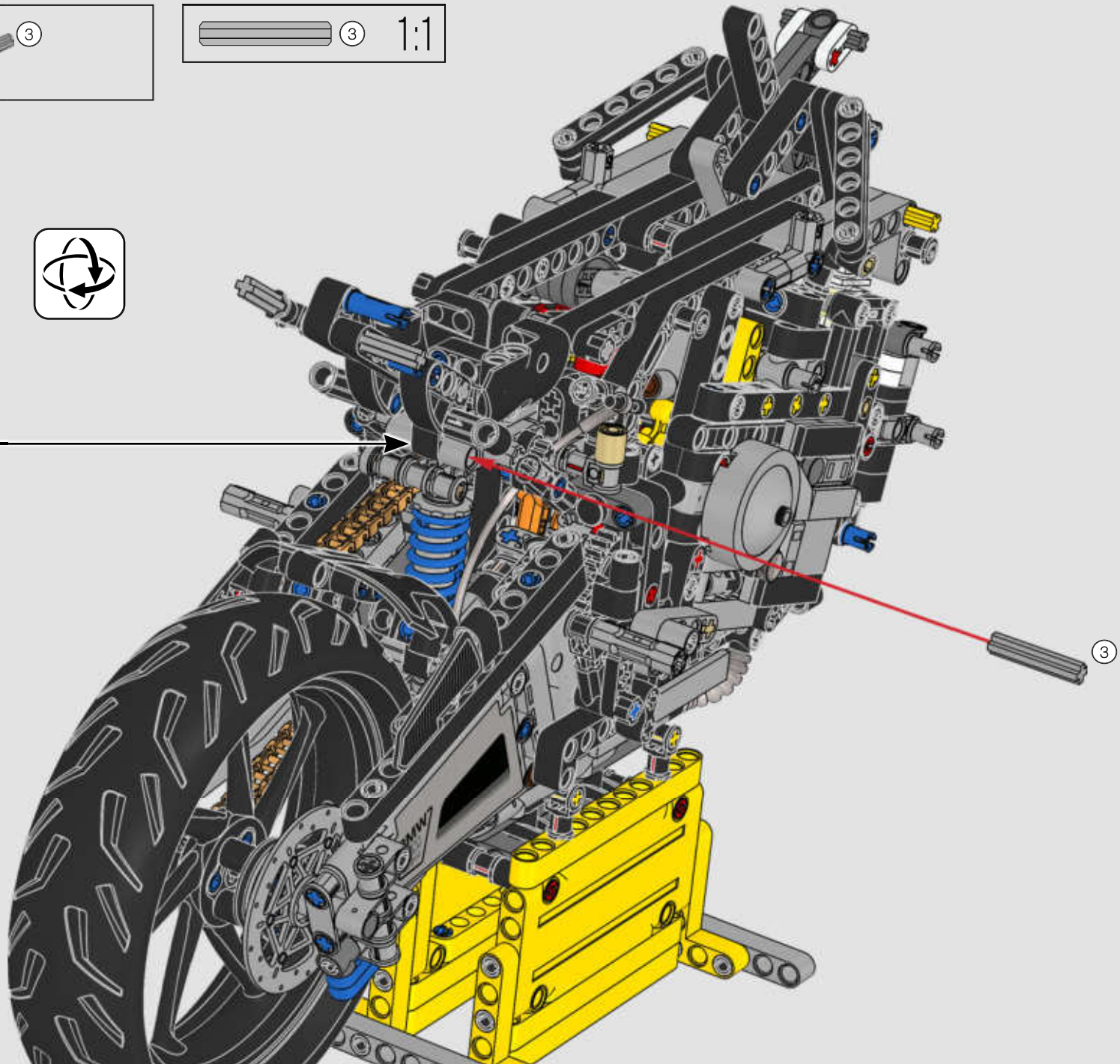


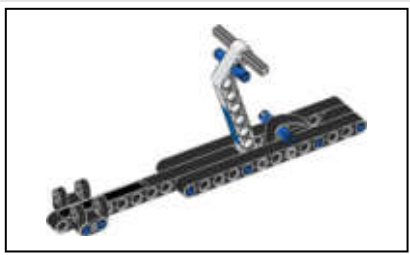
337



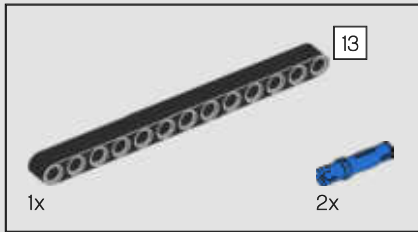


338

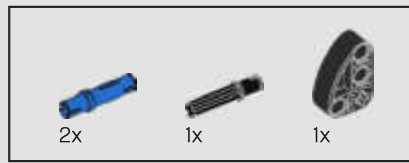
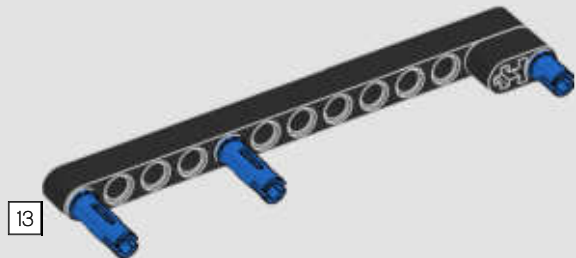




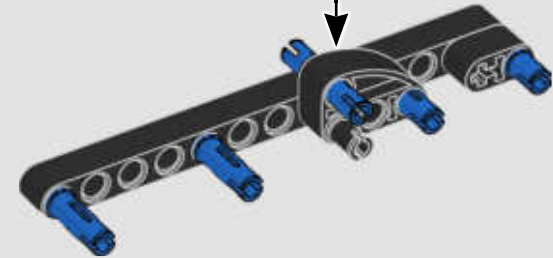
339

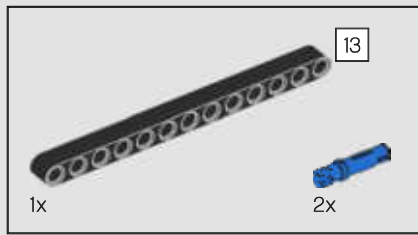


340

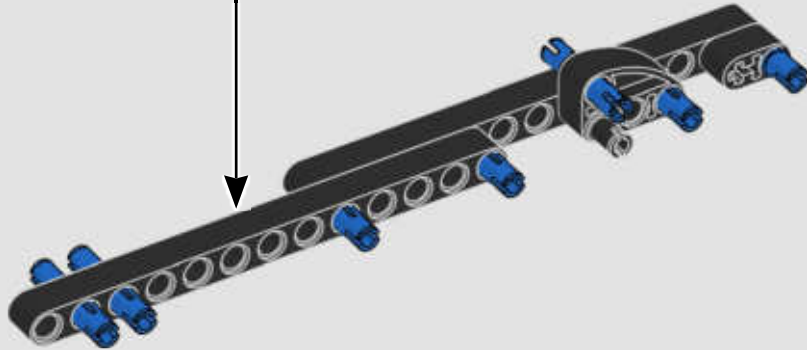
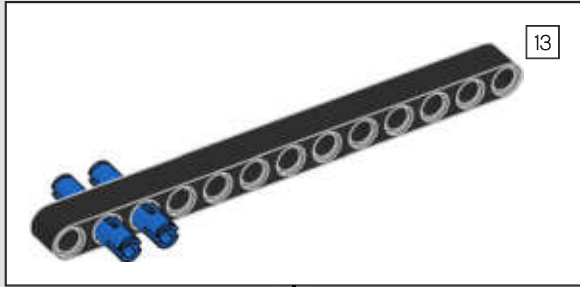


341

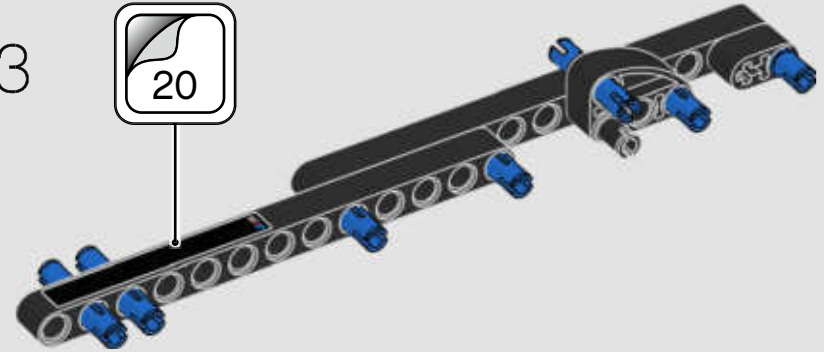




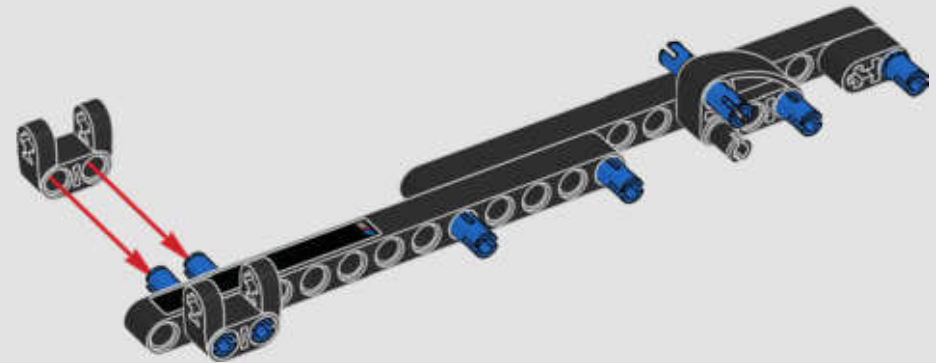
342

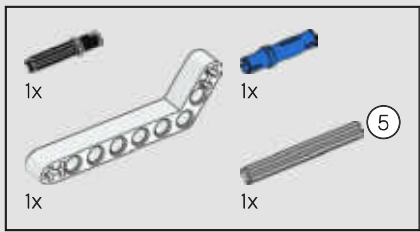


343

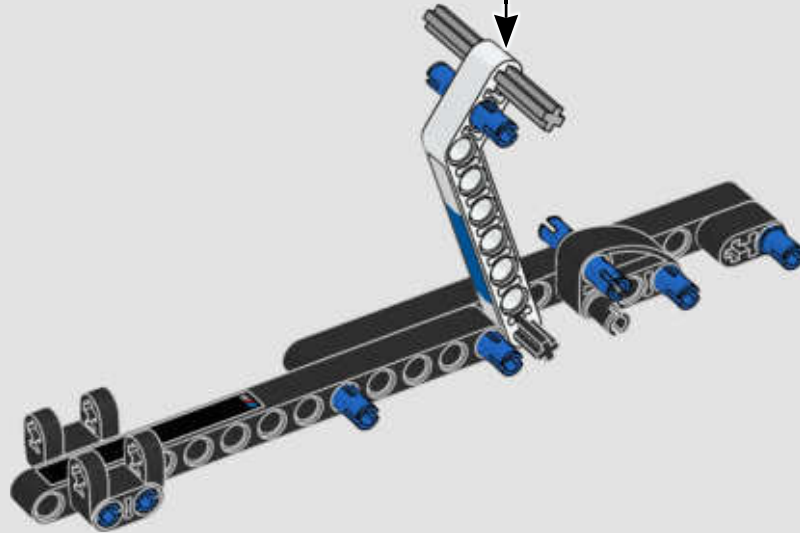
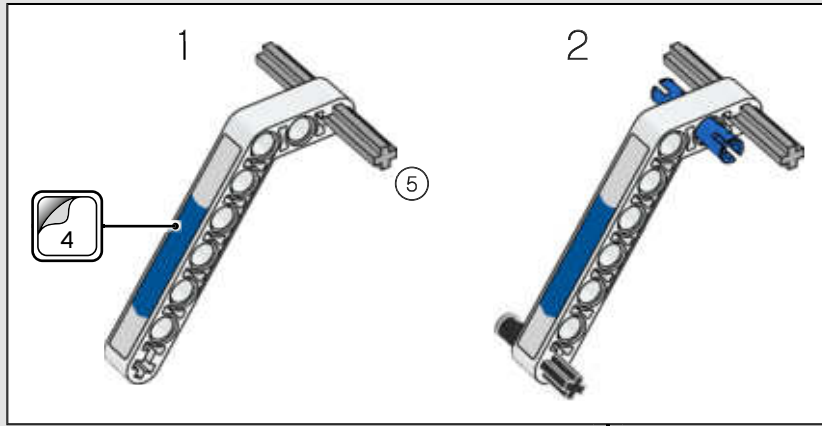
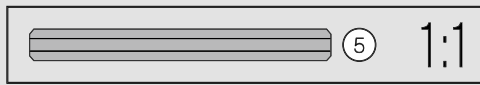


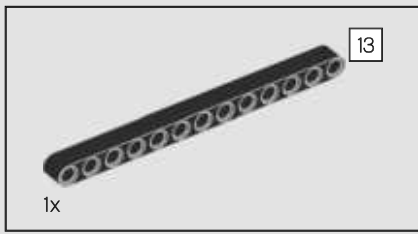
344



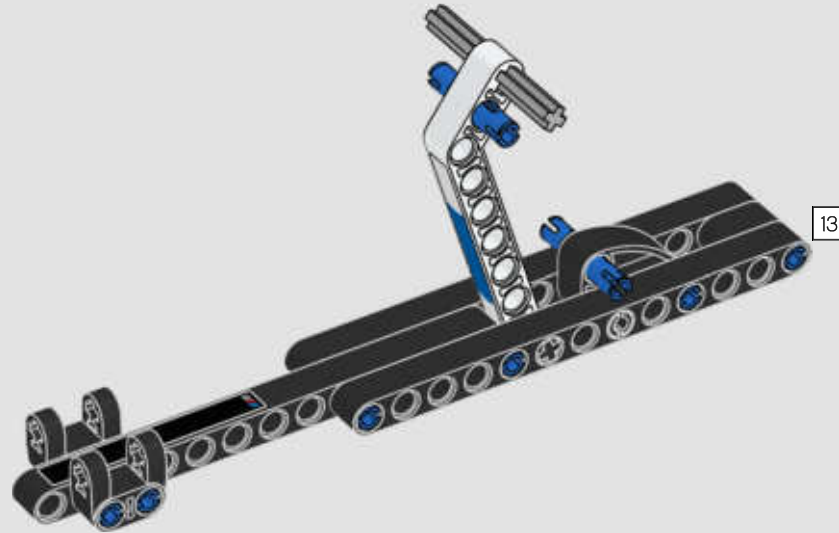


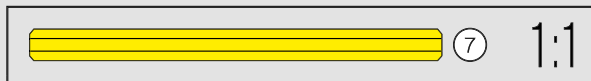
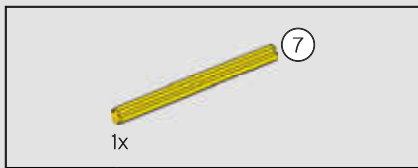
345



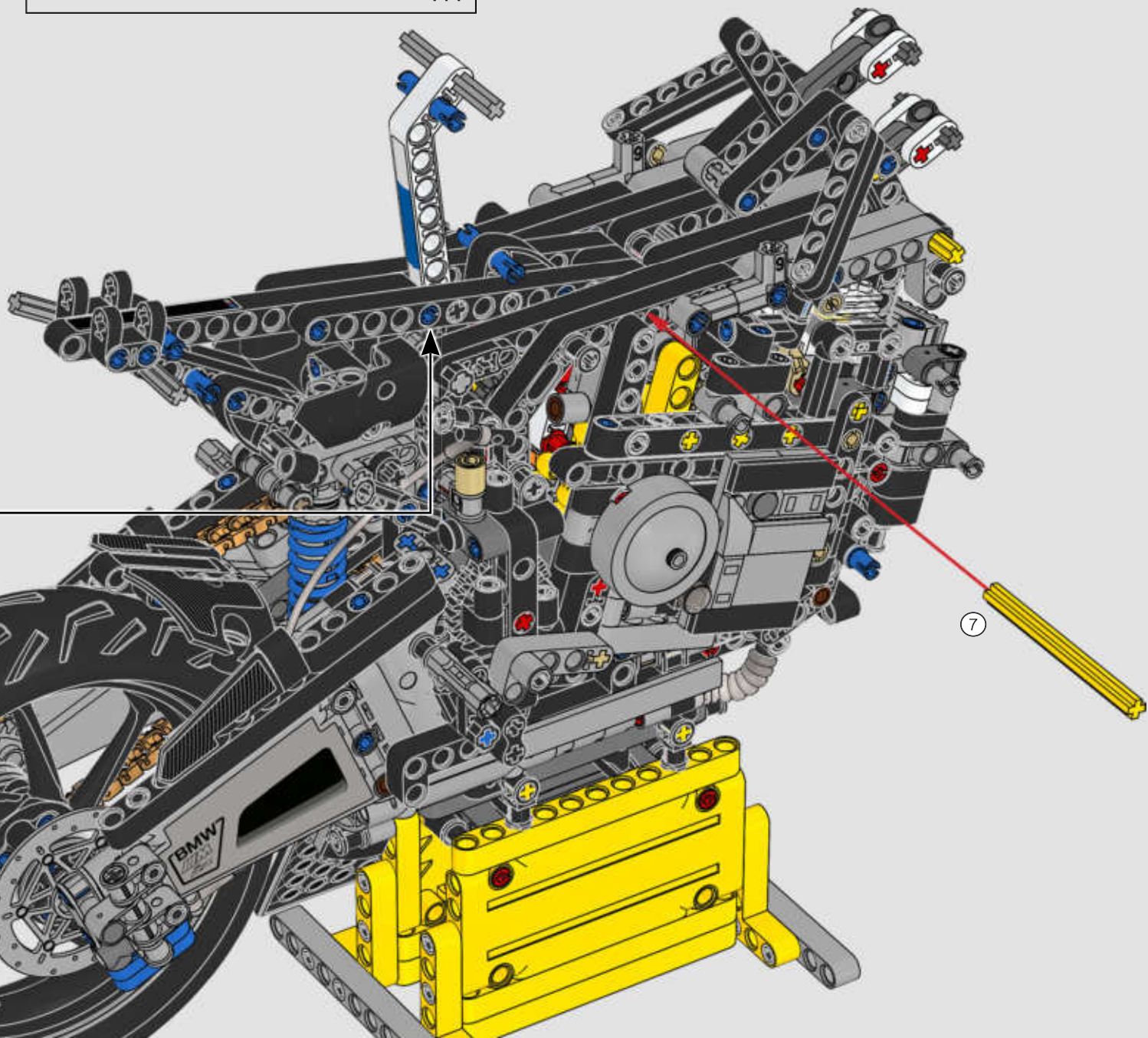
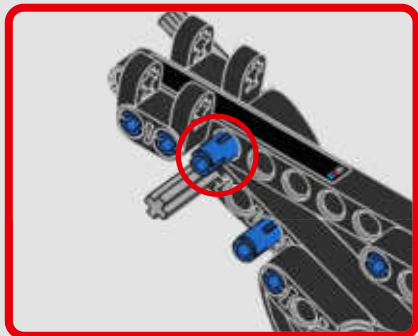


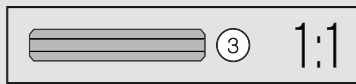
346



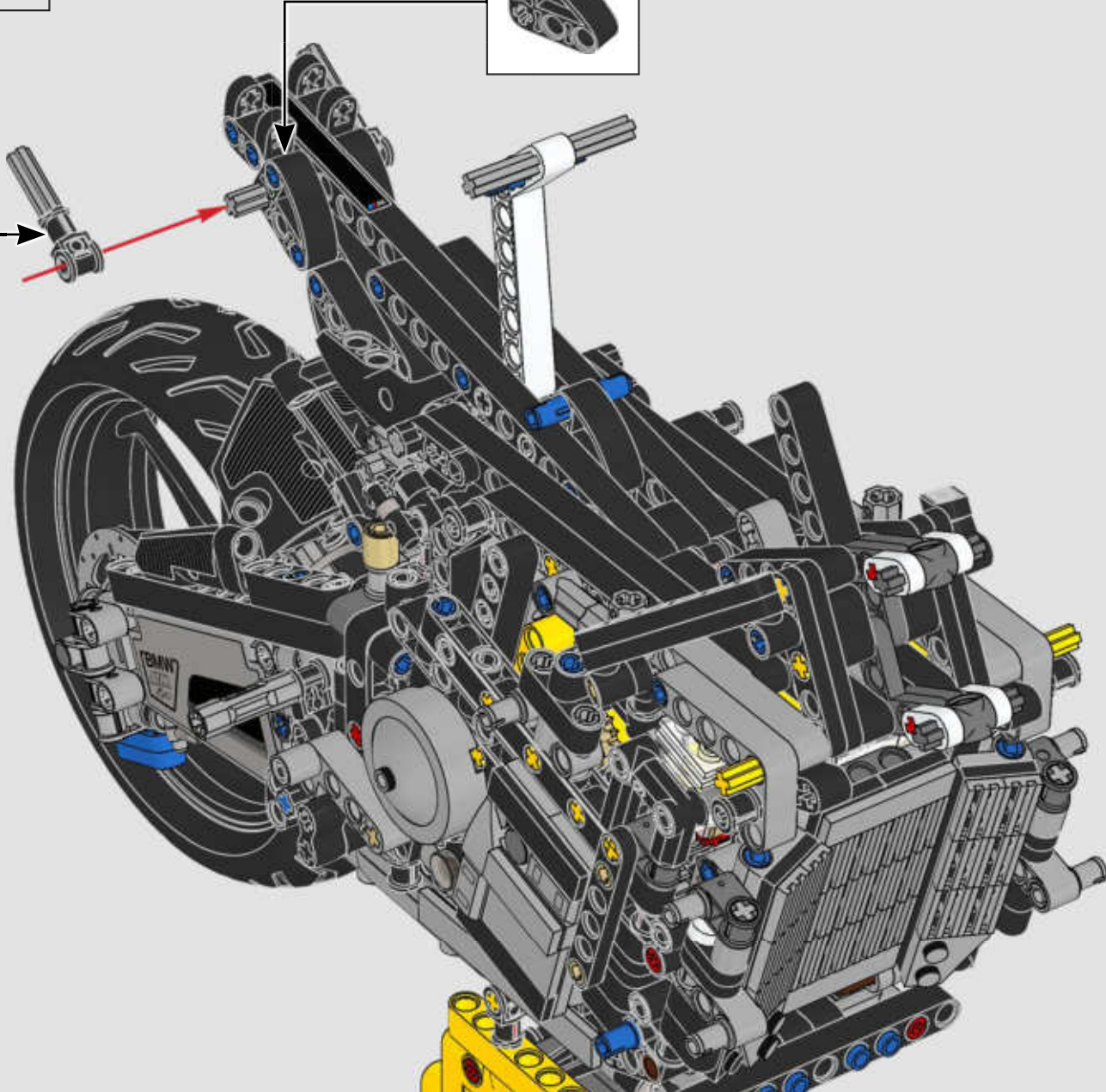


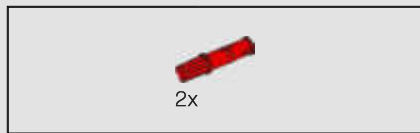
347



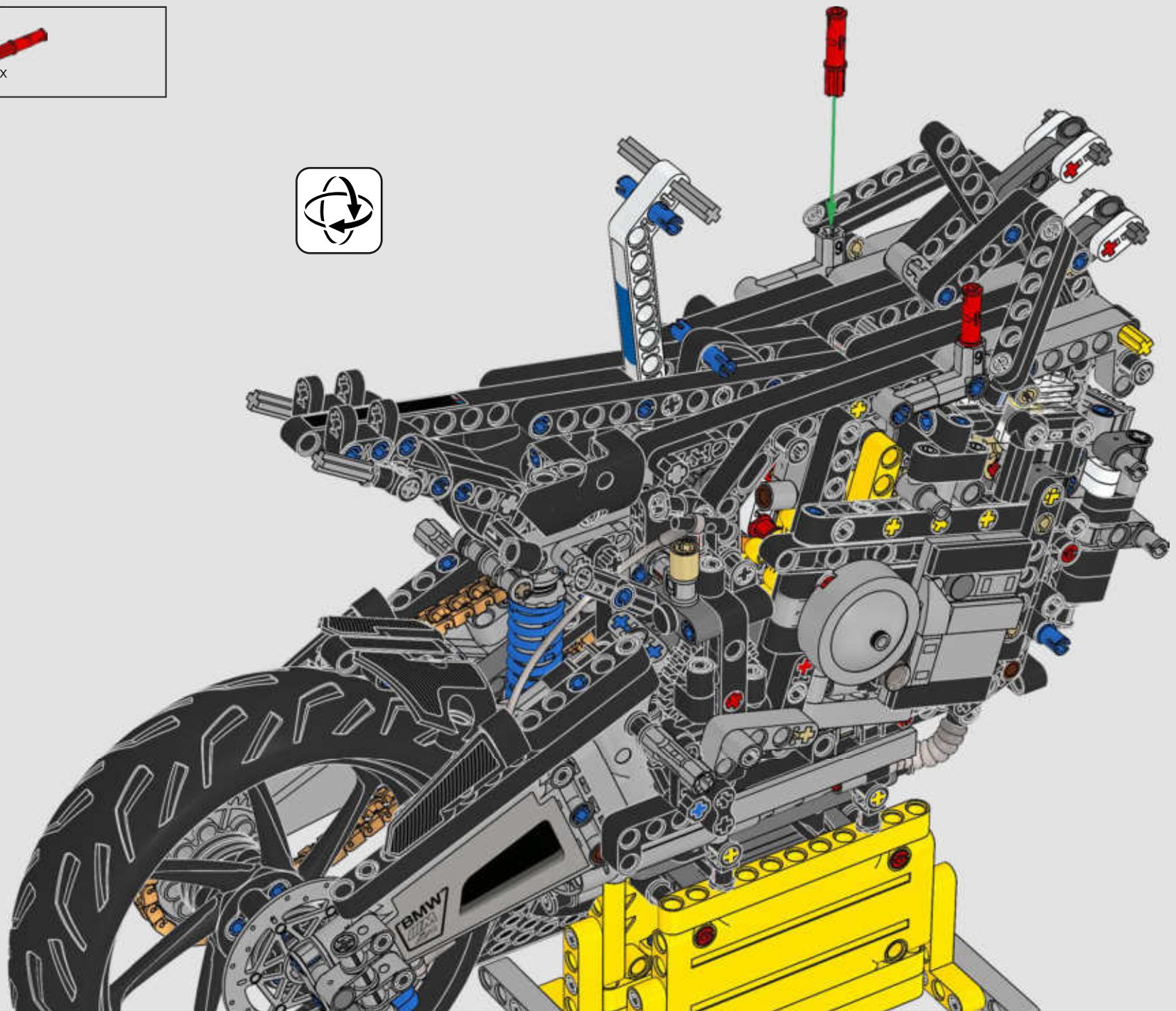


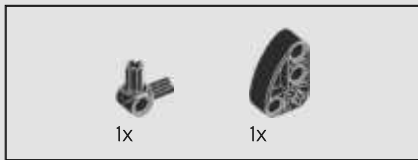
348



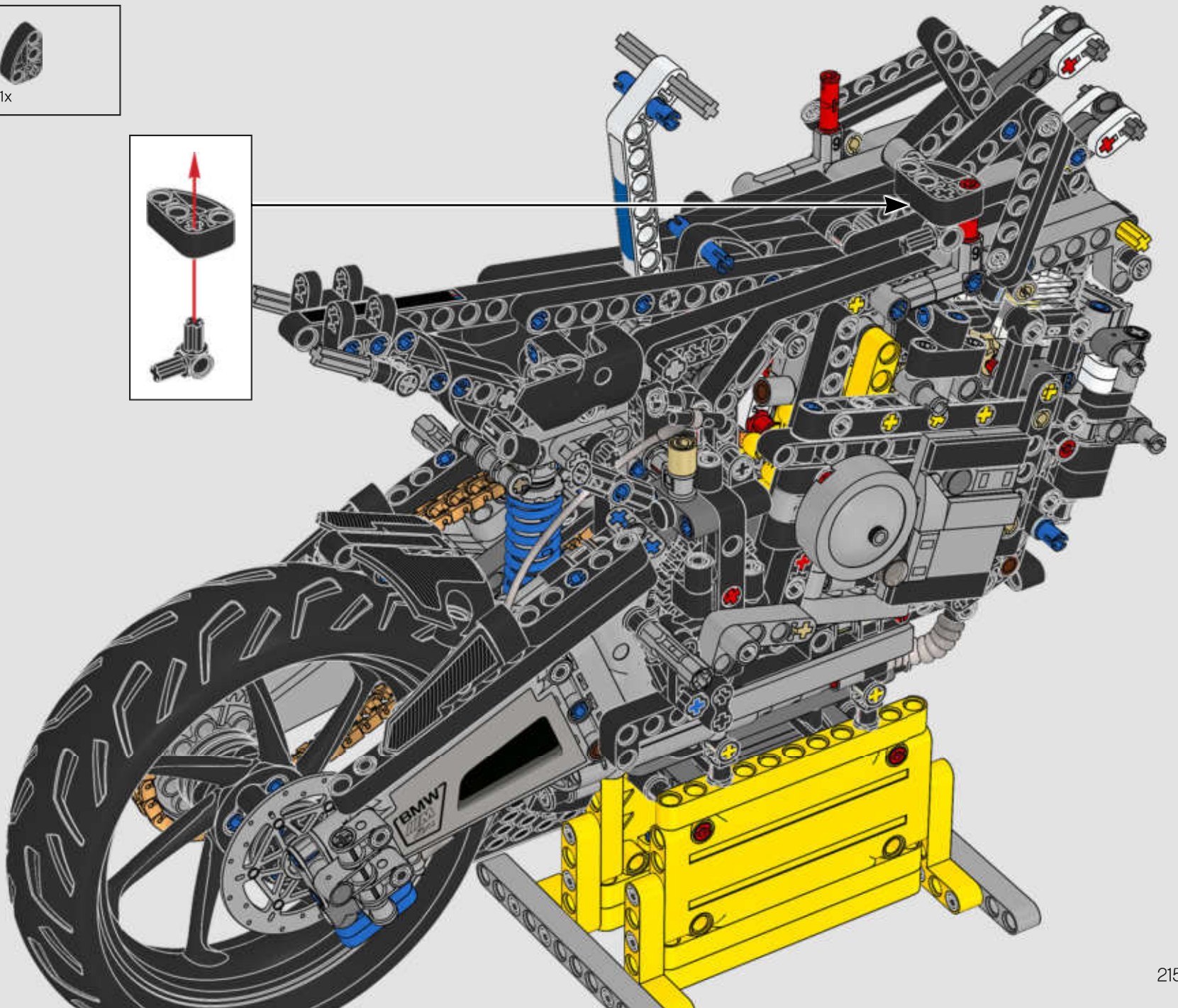


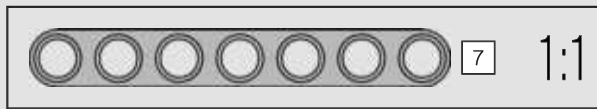
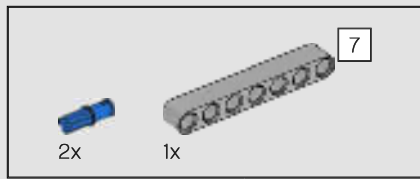
349



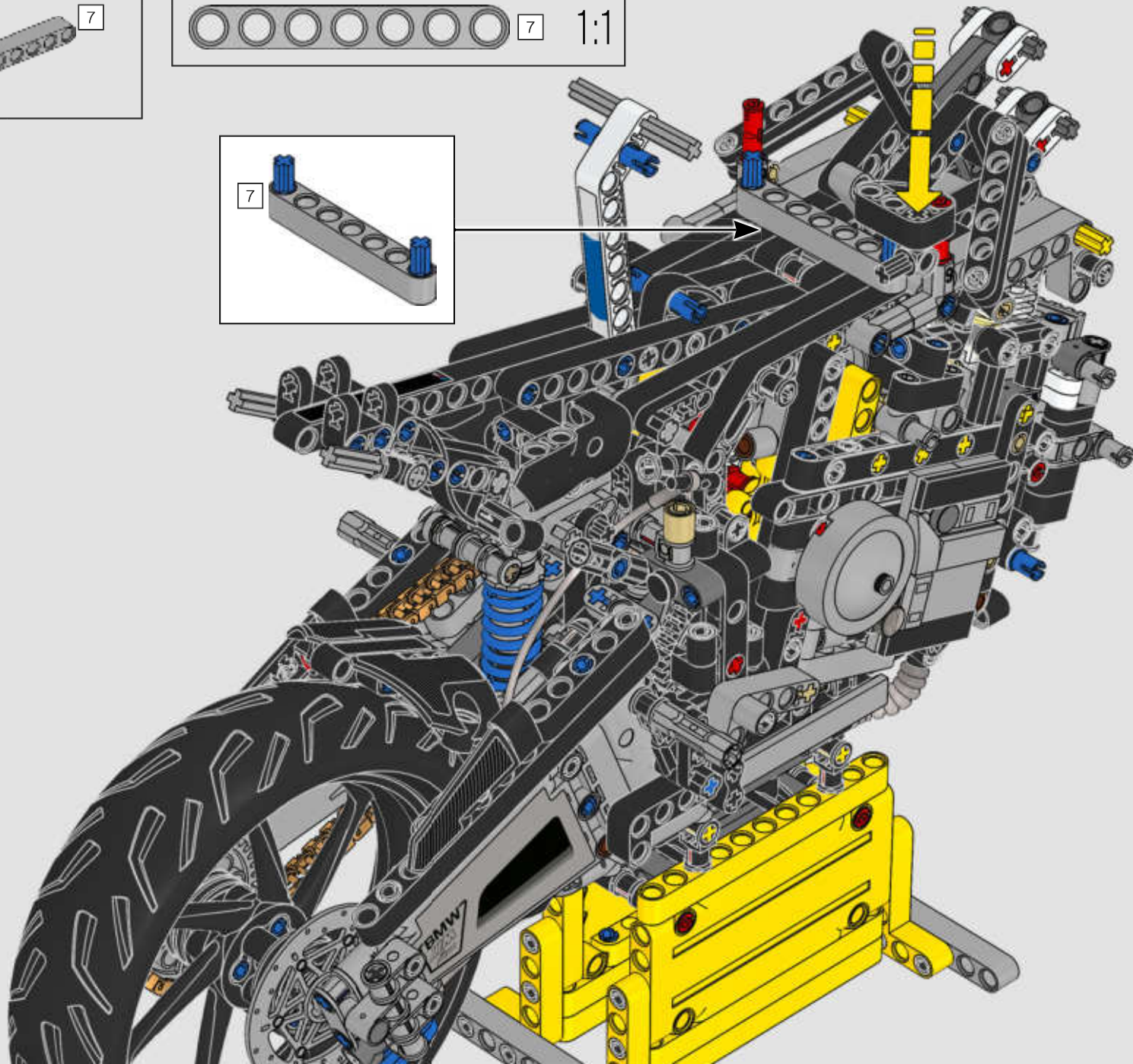
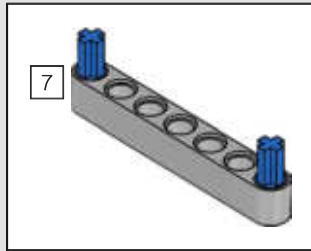


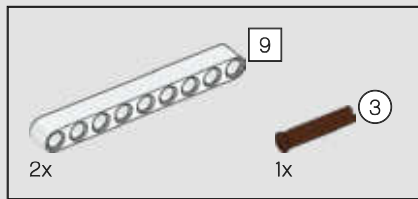
350



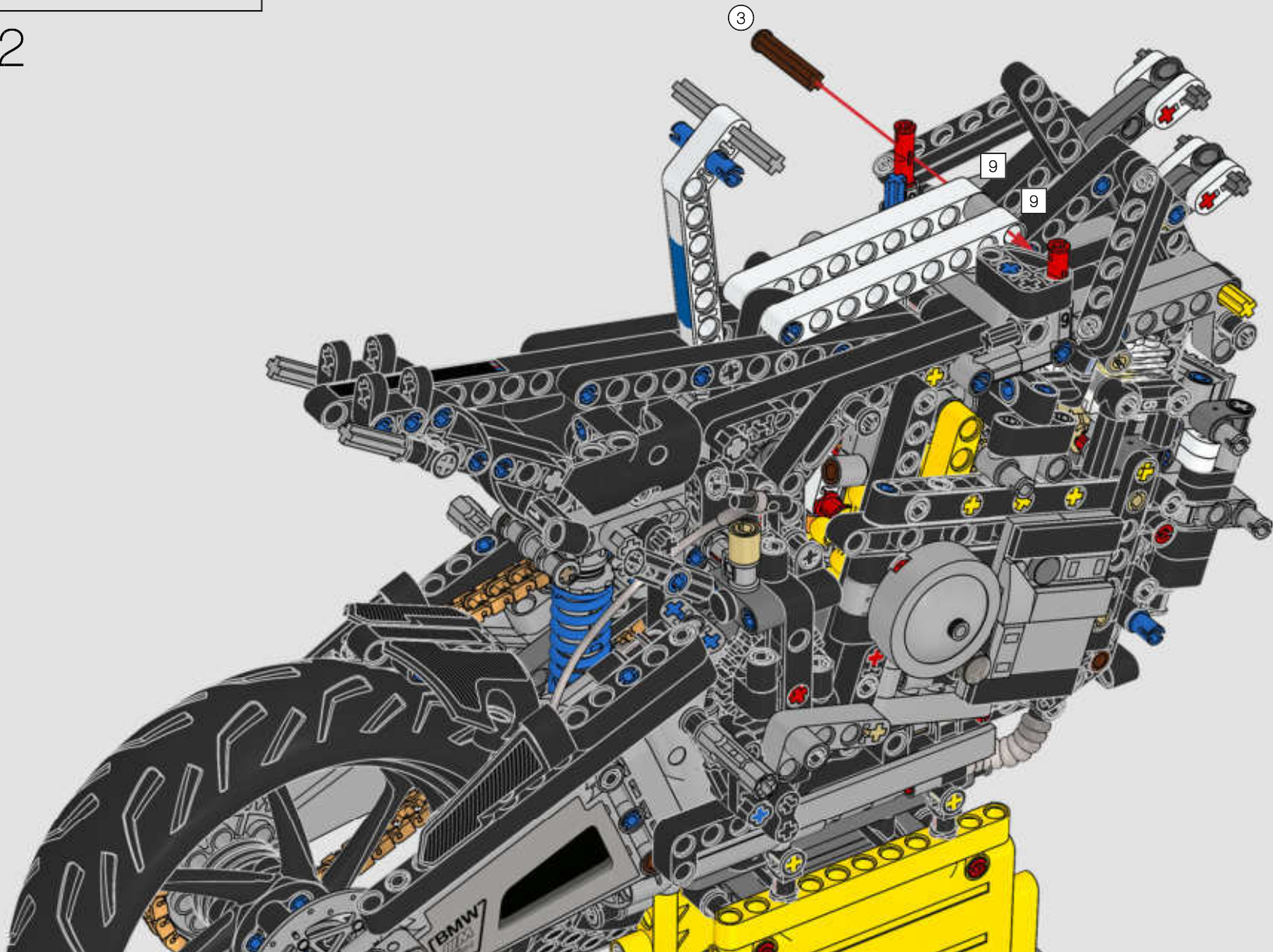


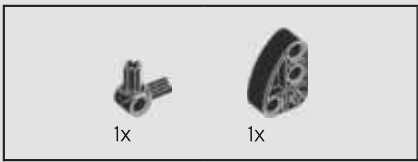
351



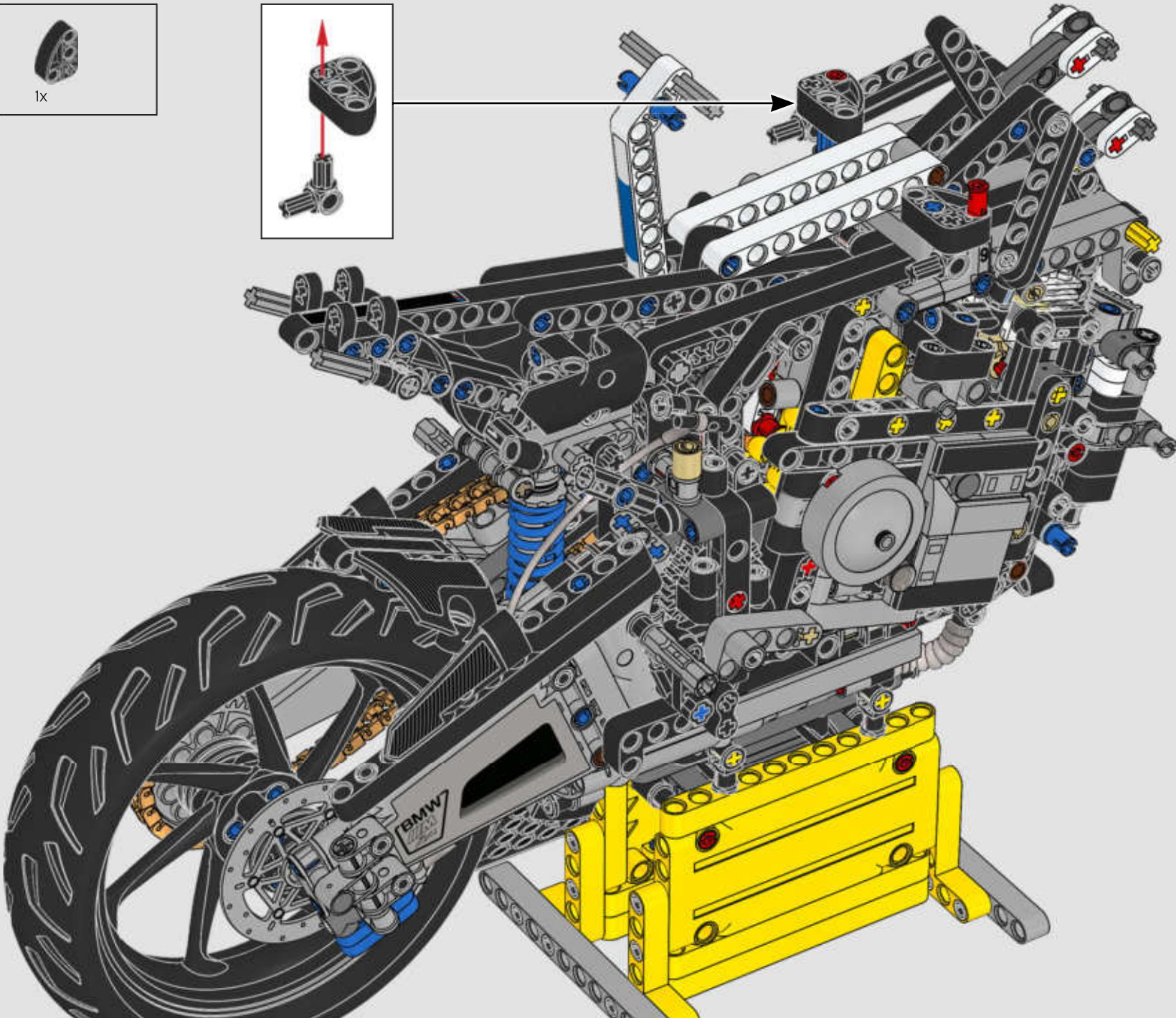


352



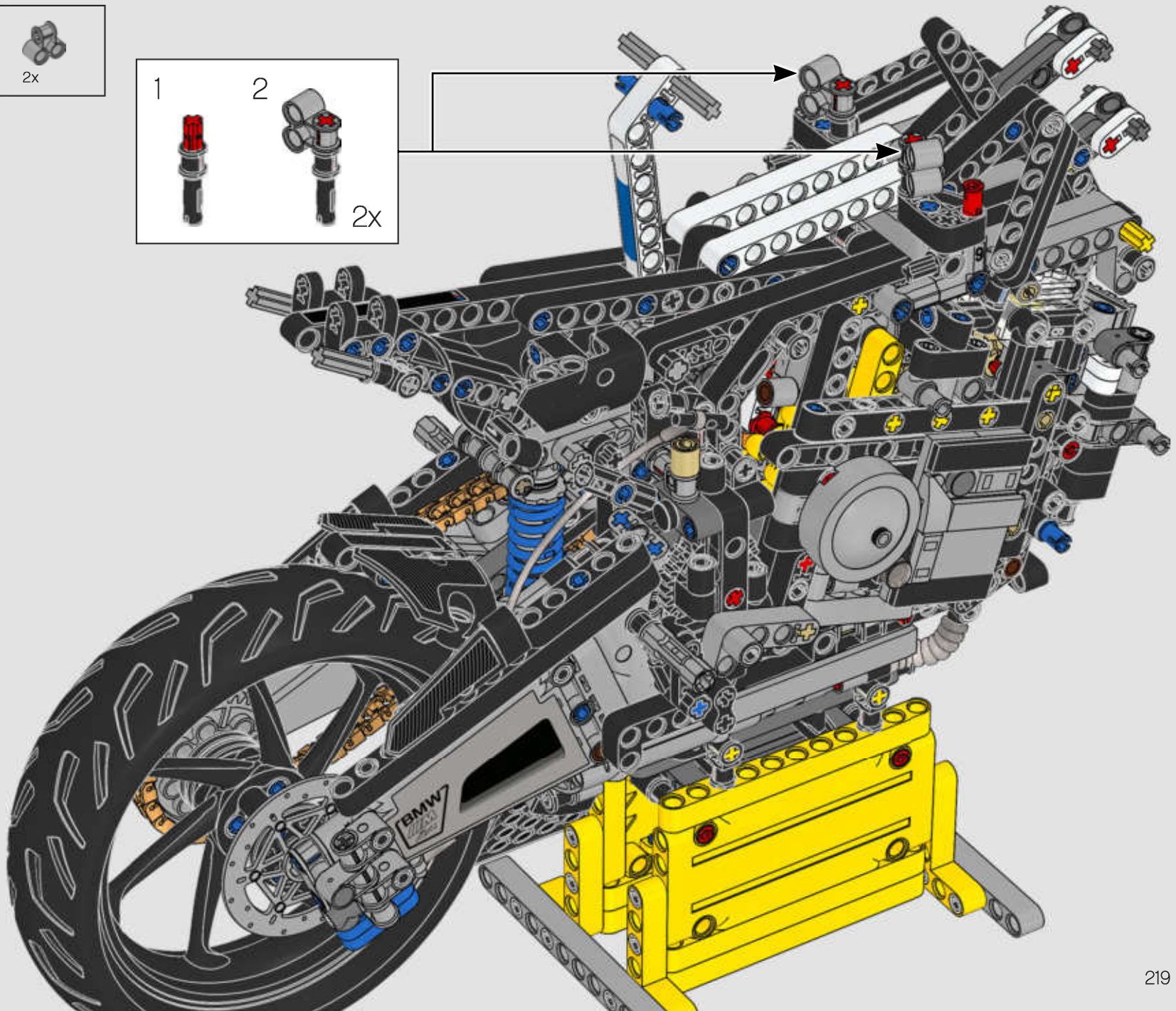
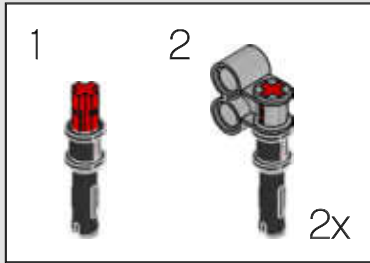


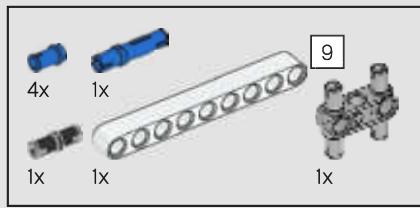
353



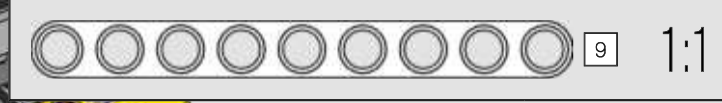
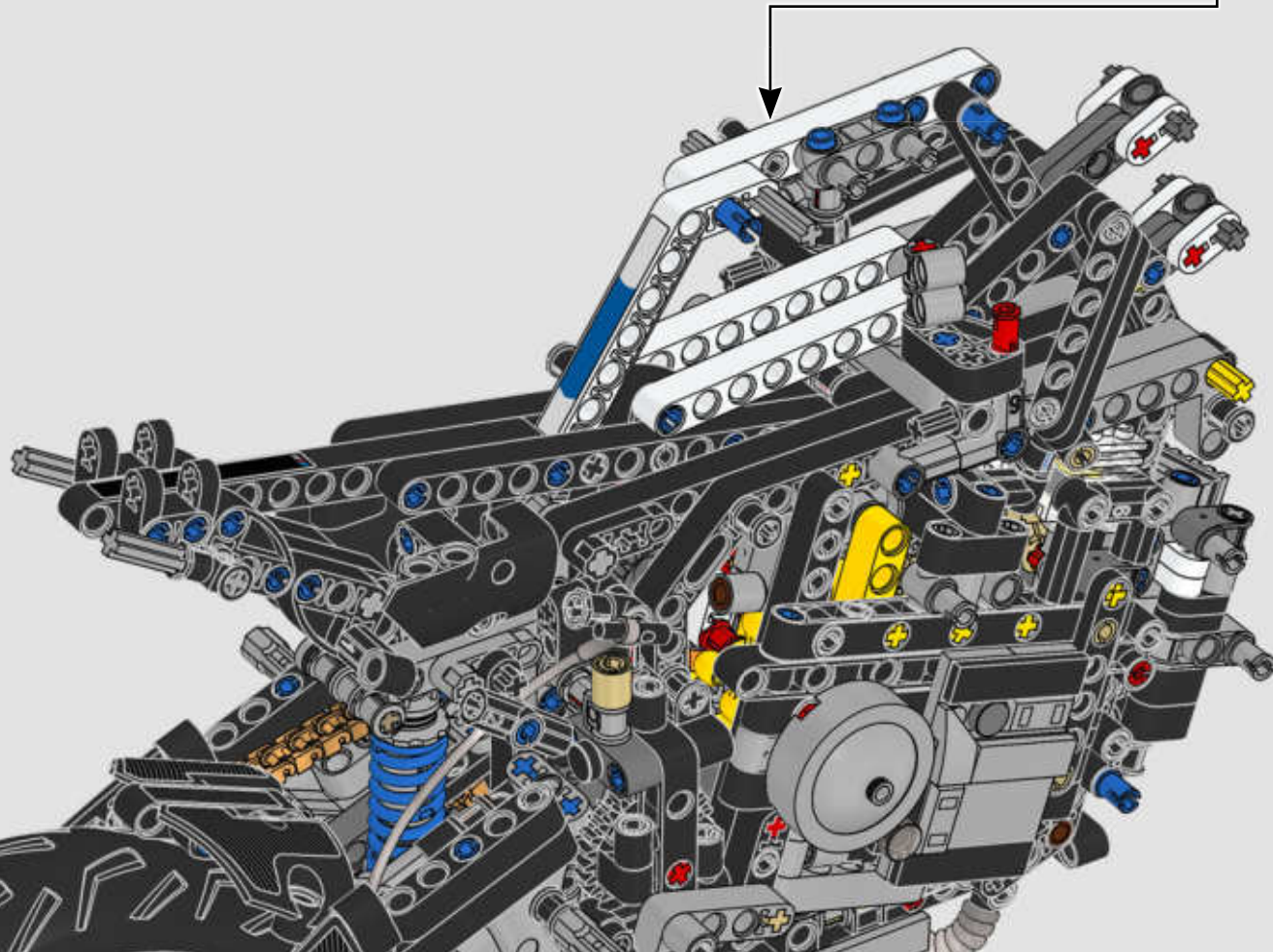


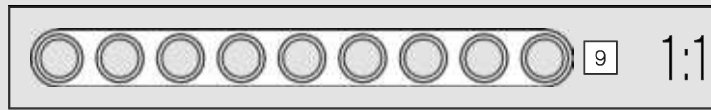
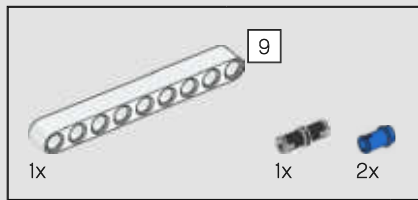
354



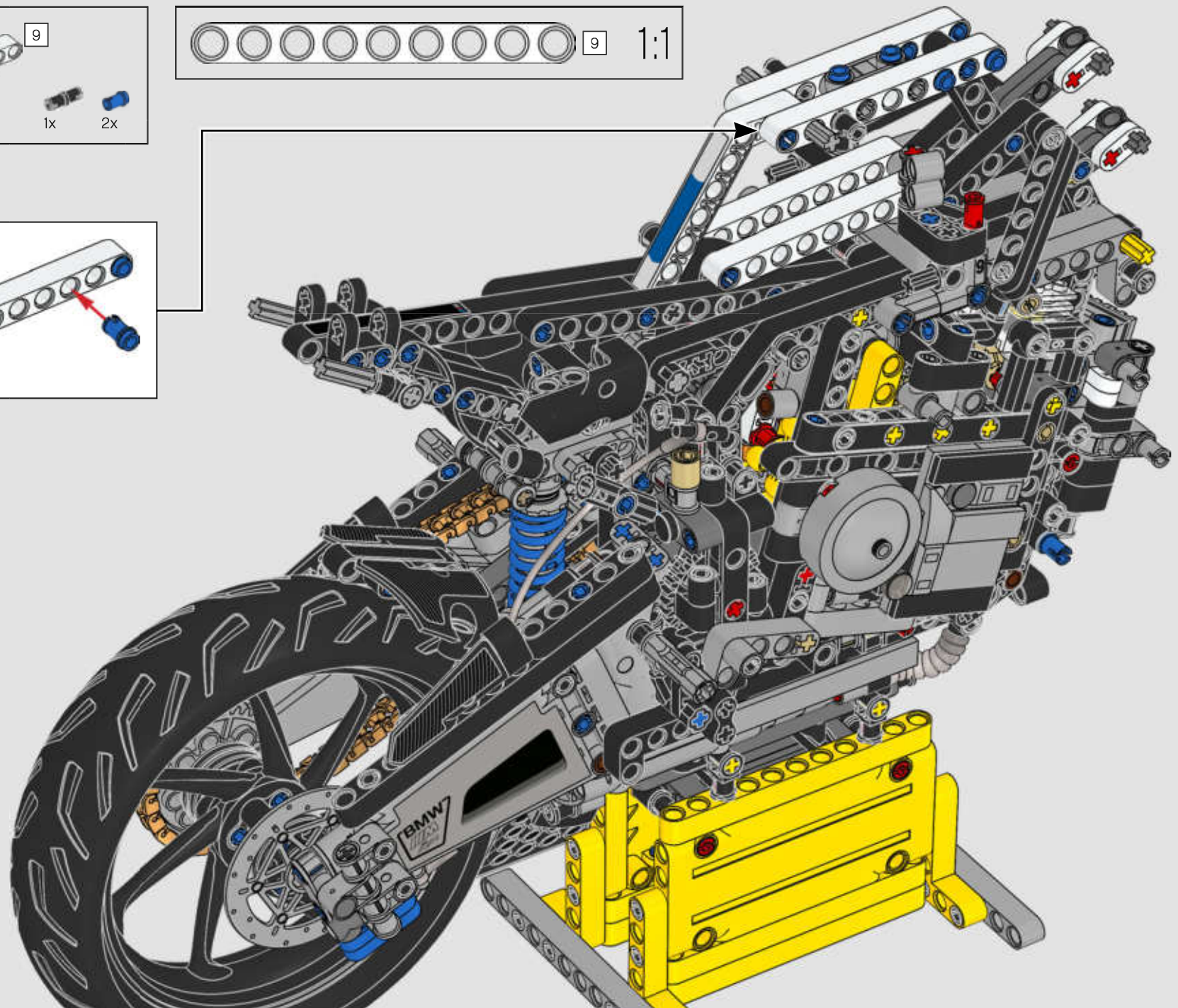
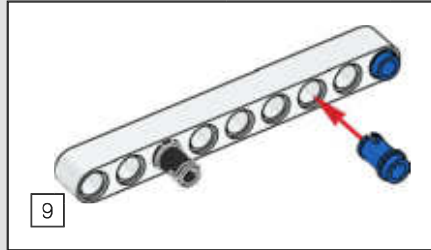


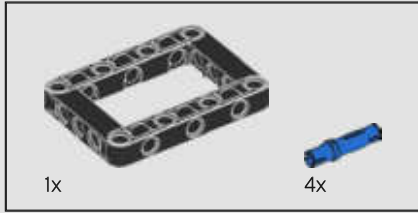
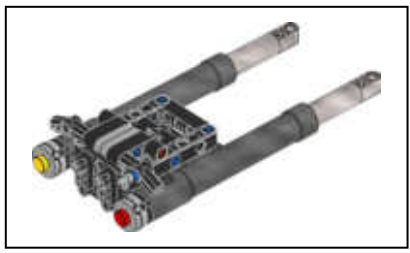
355



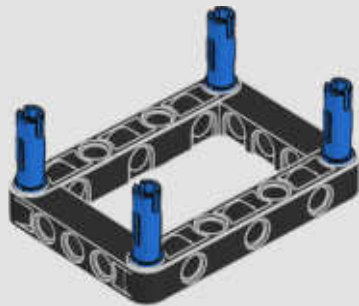


356

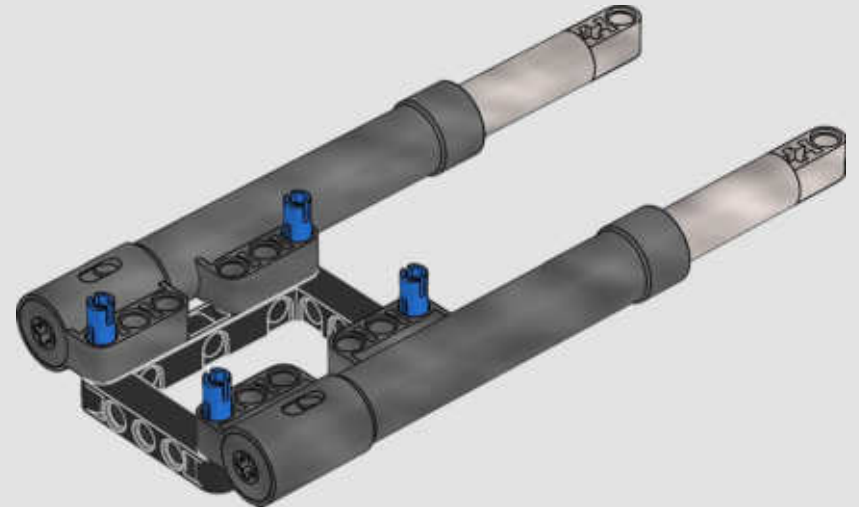


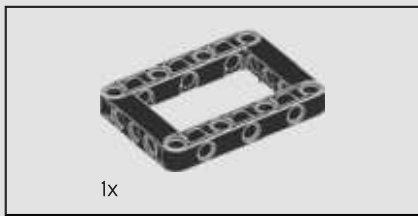


357

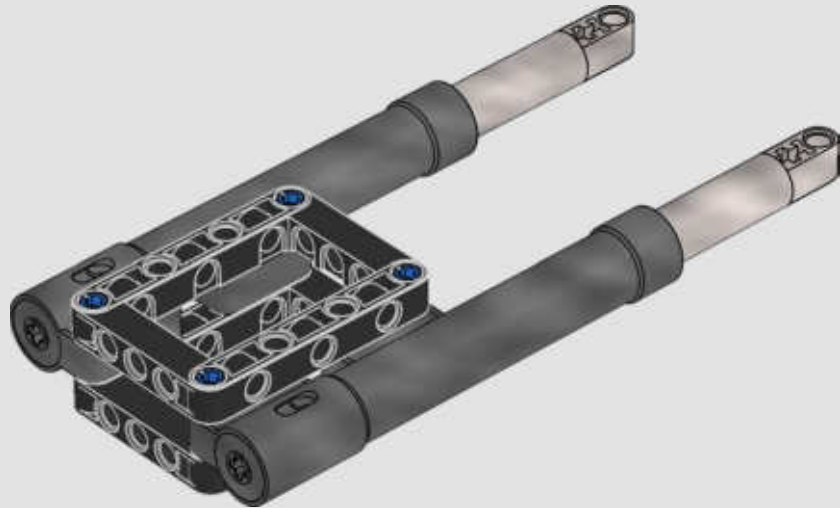


358

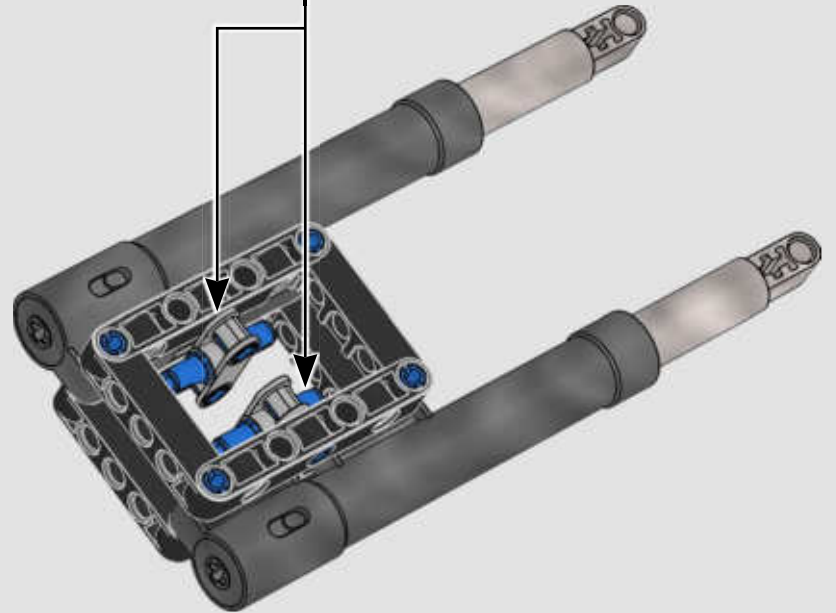
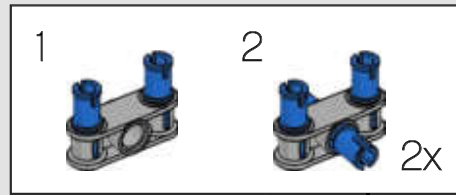
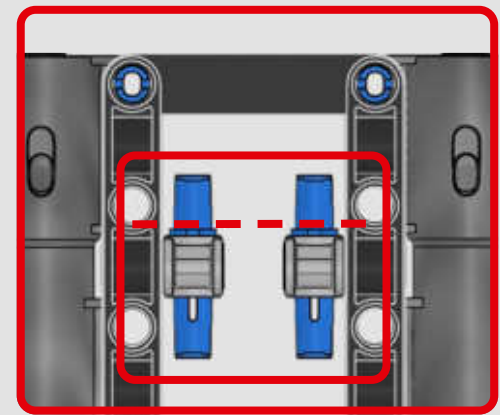




359

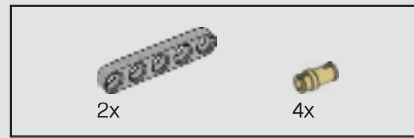
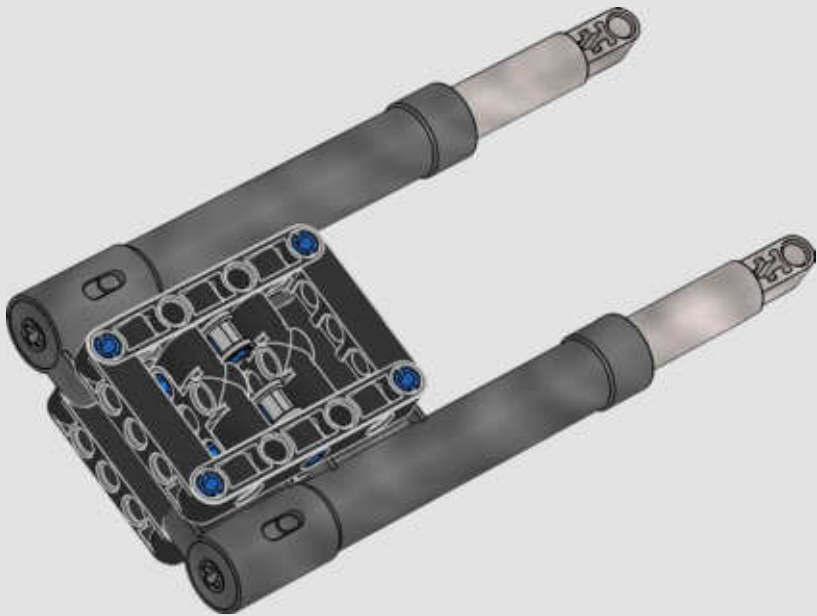


360

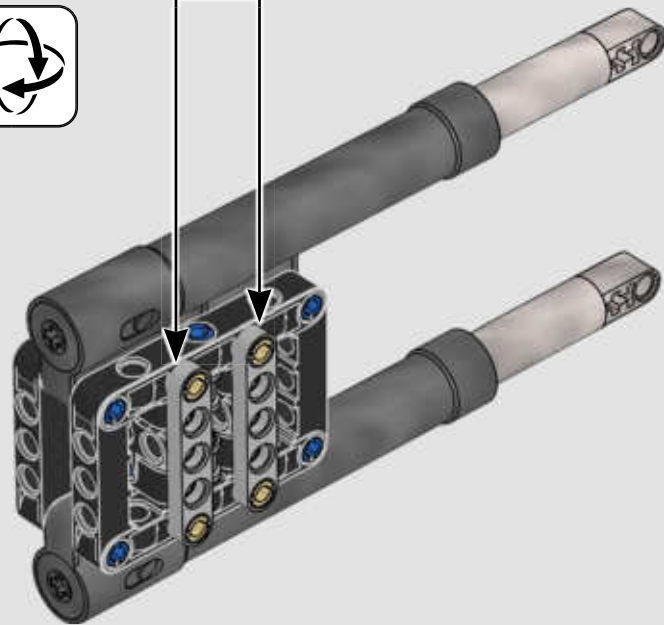
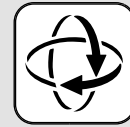
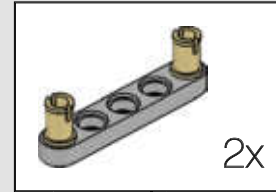




361

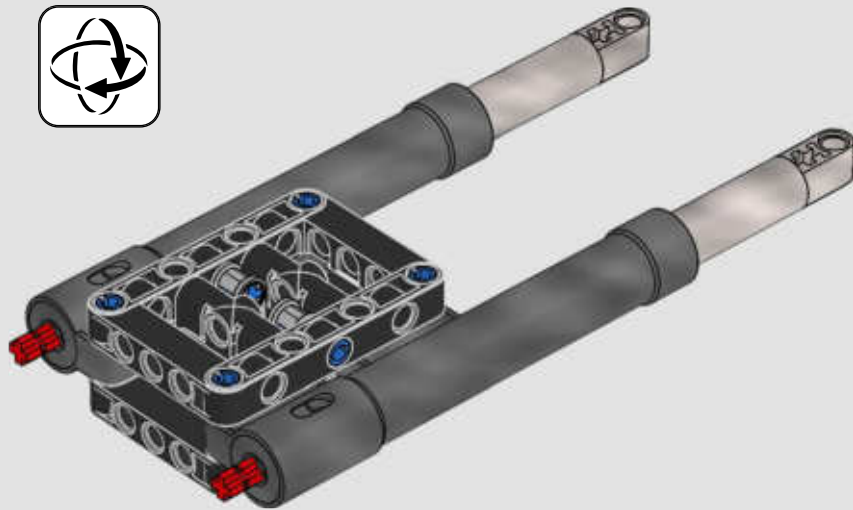


362

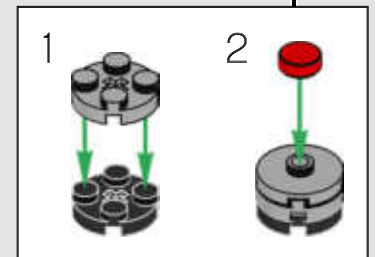
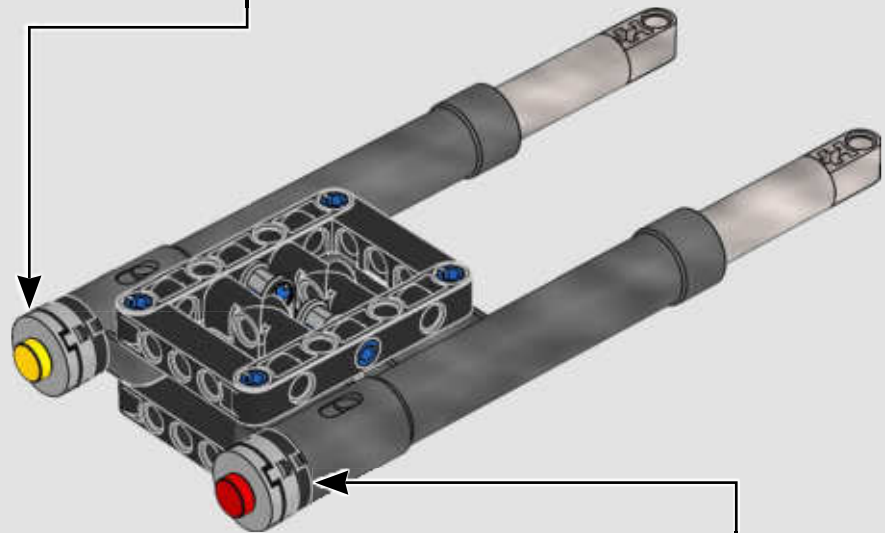
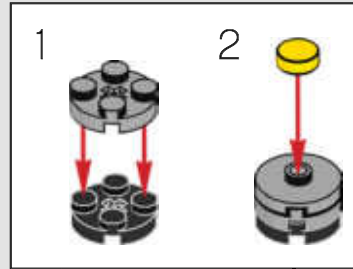




363



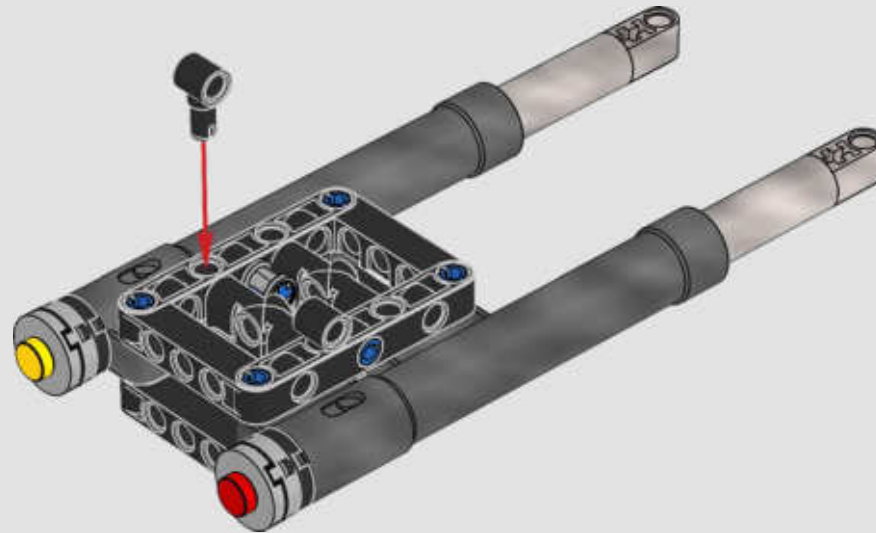
364





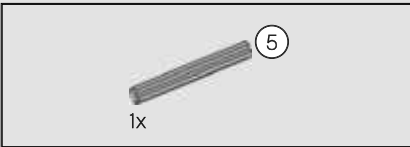
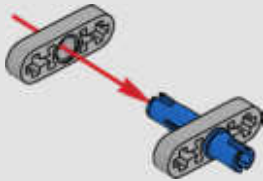
2x

365

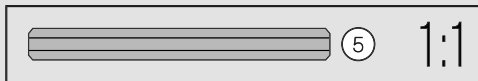
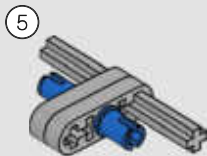




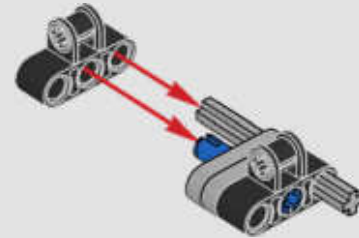
366



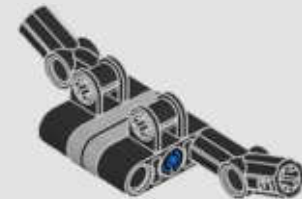
367



368

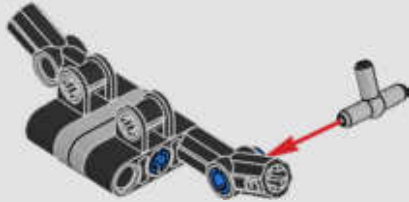


369

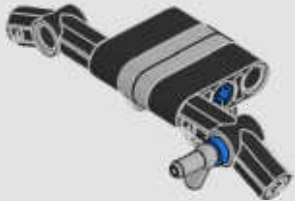




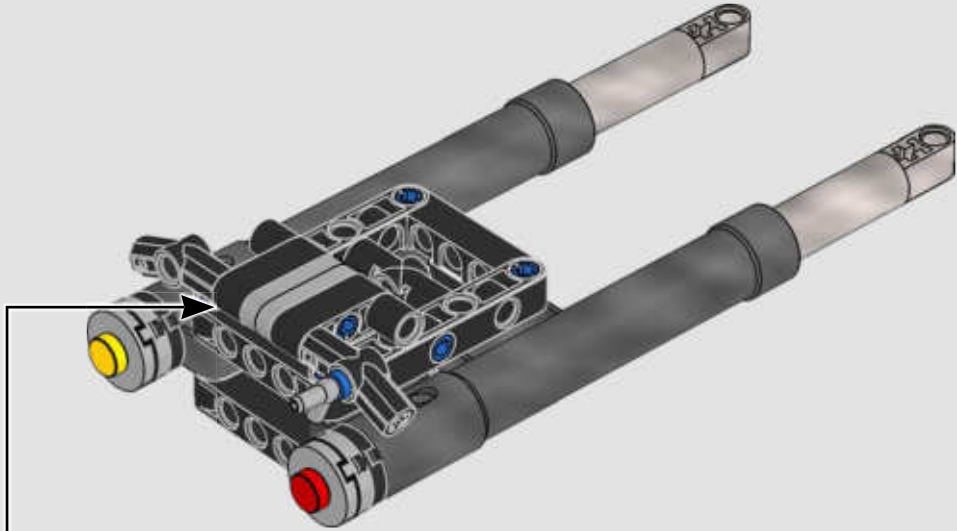
370

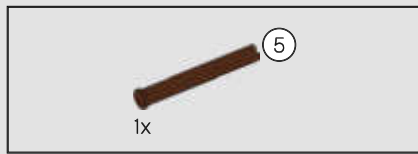


371

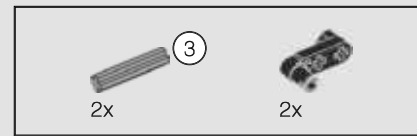
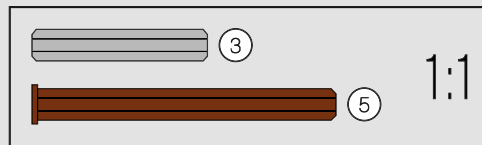
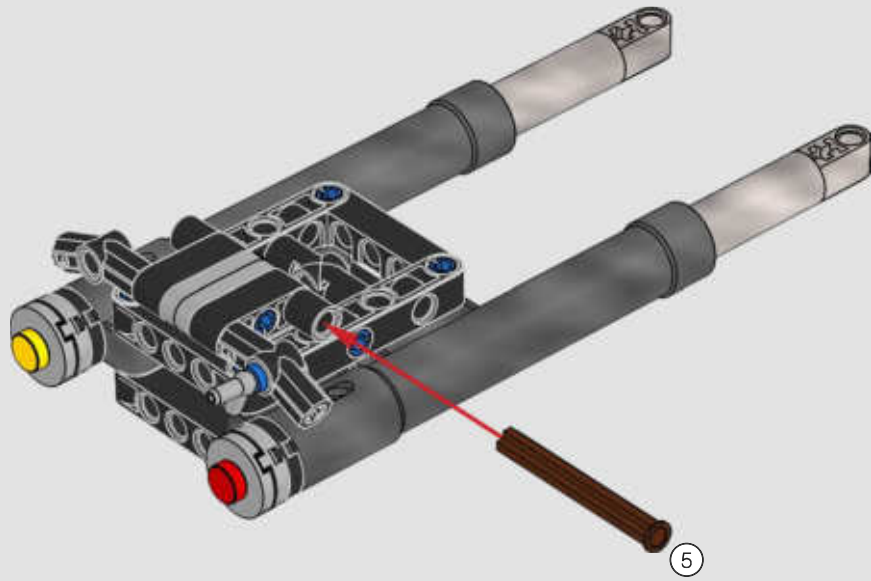


372

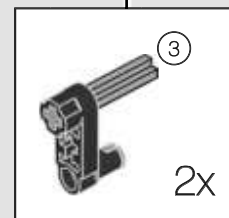
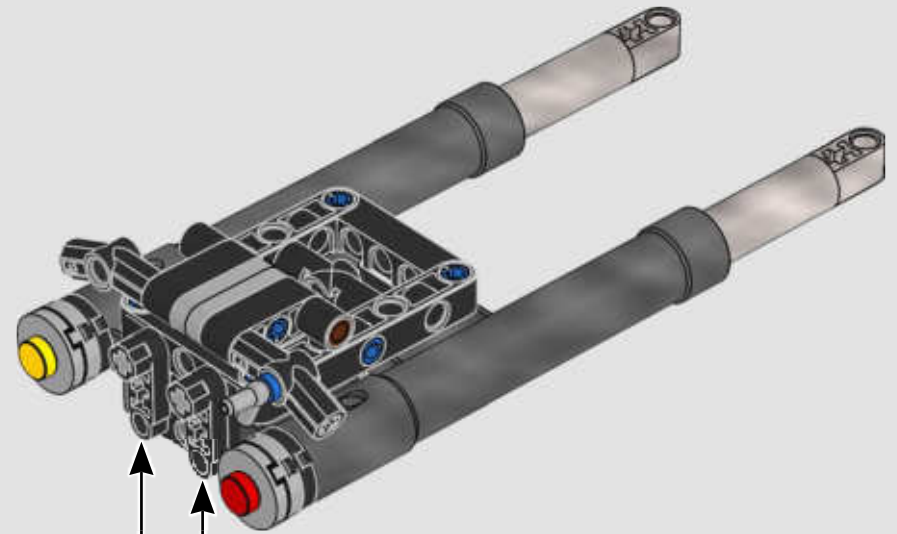


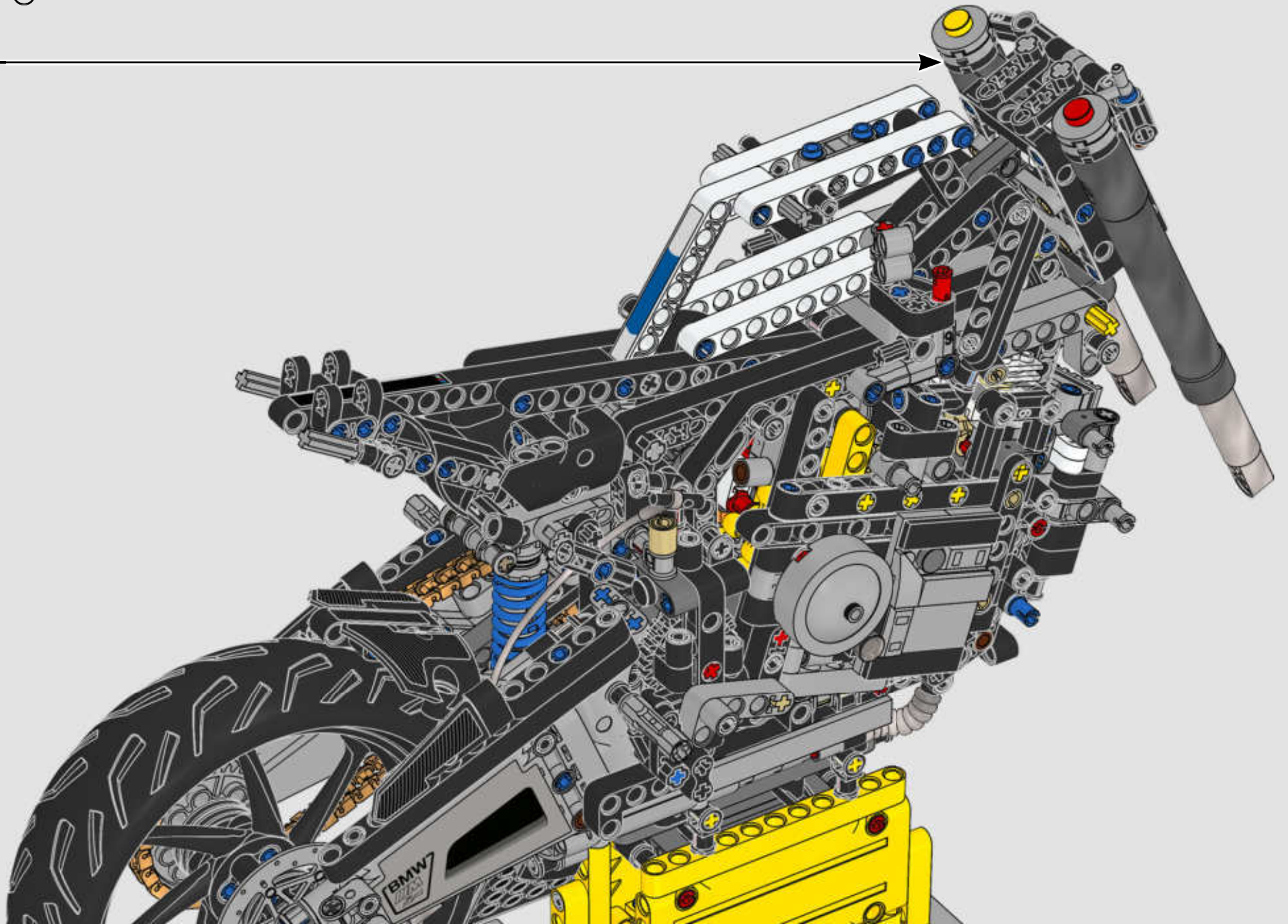


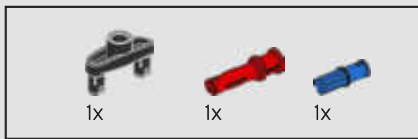
373



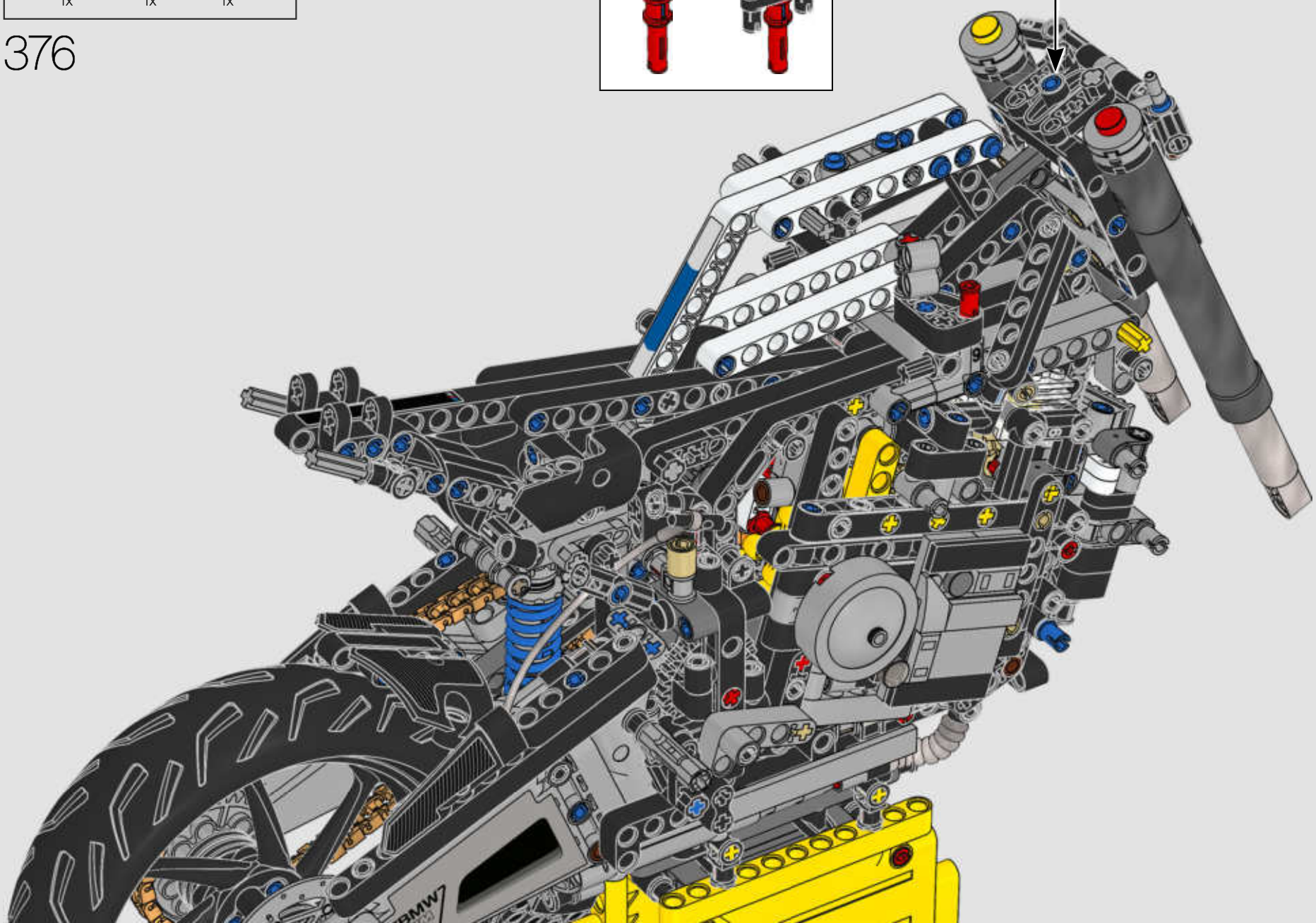
374

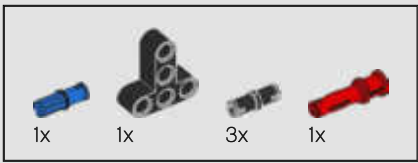




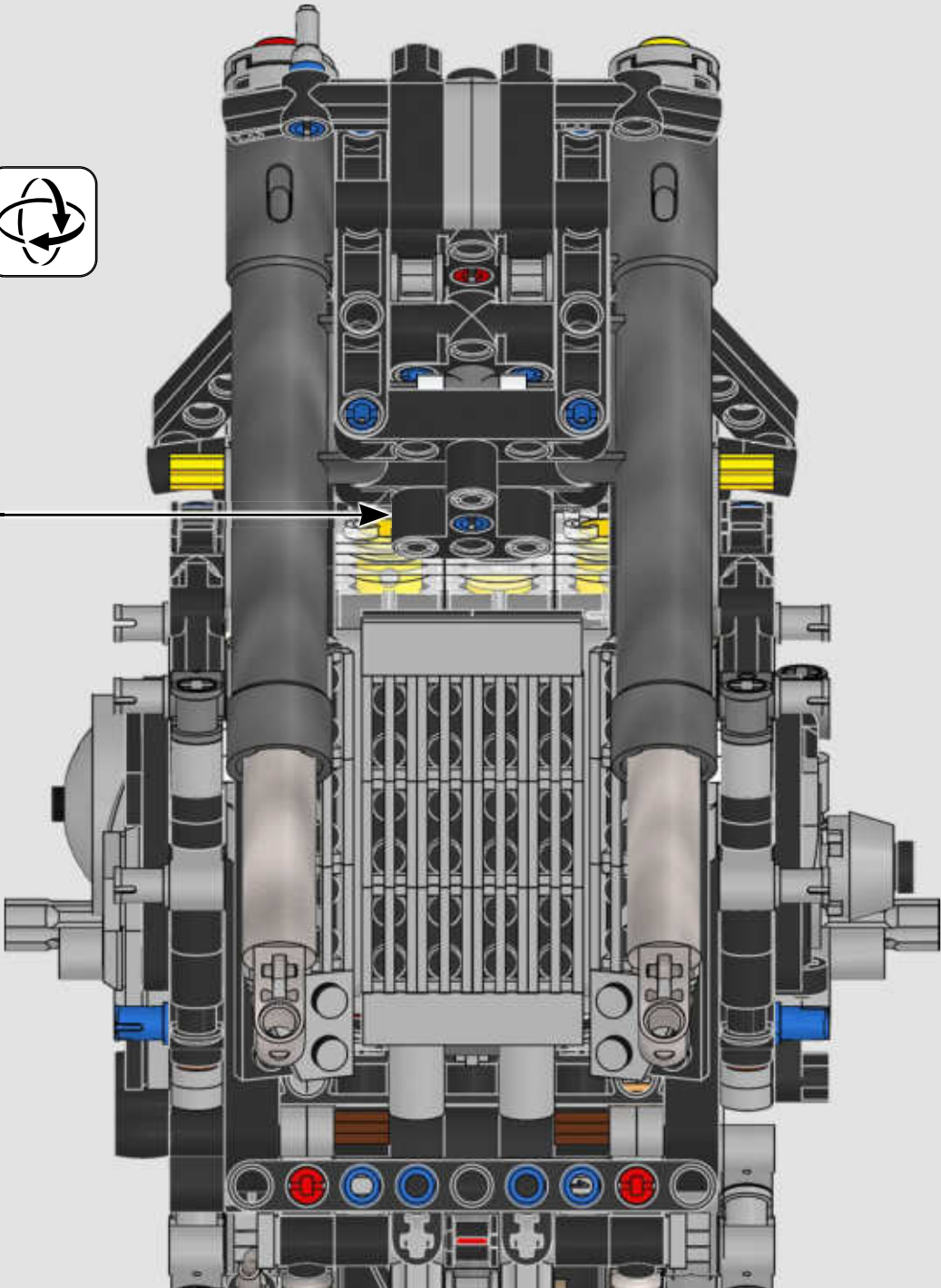
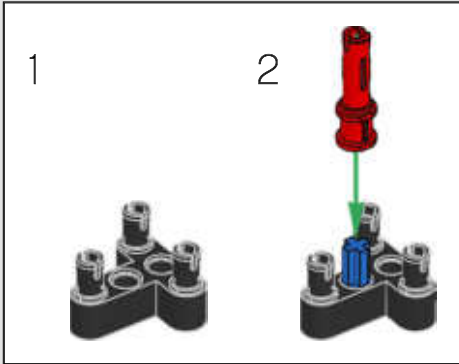


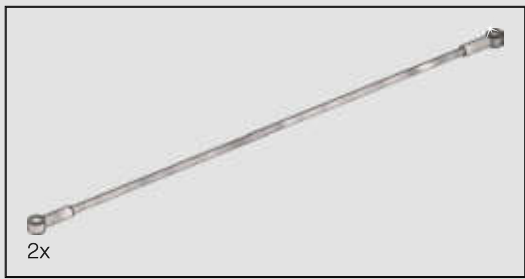
376



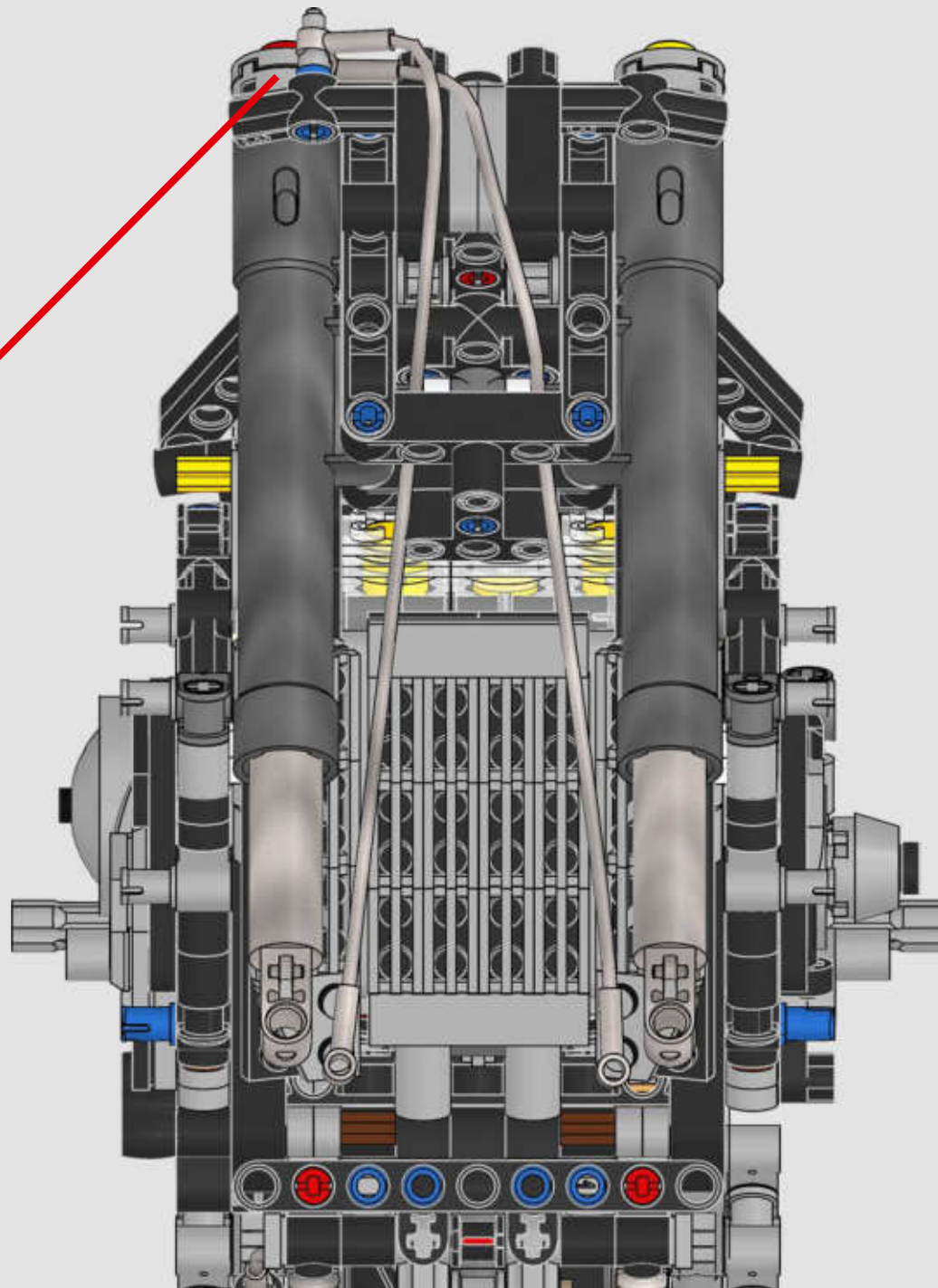
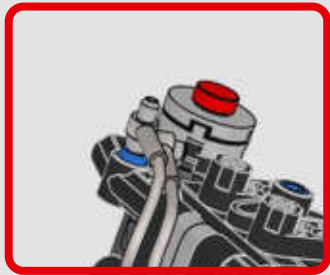


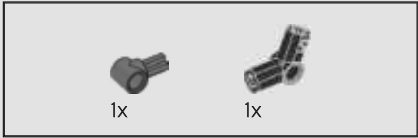
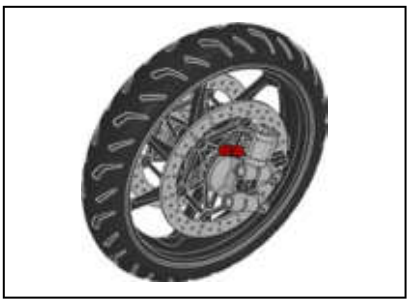
377



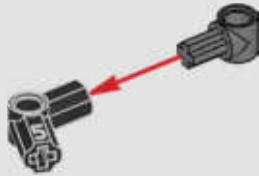


378





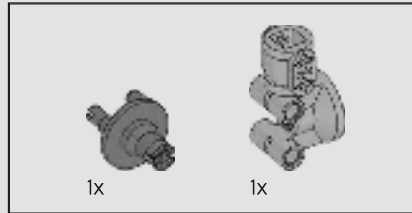
379



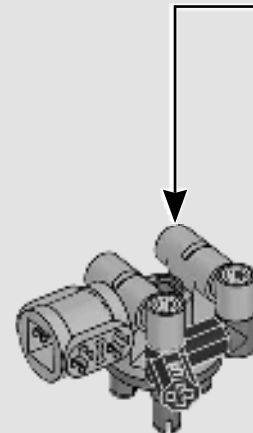
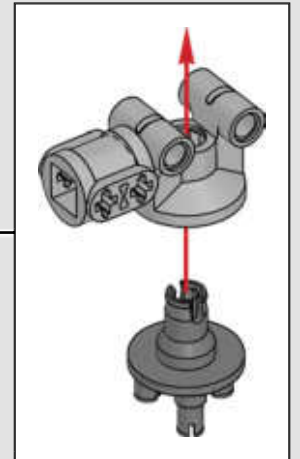
380

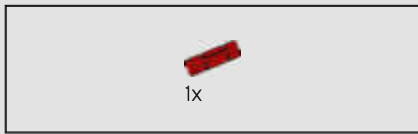


381

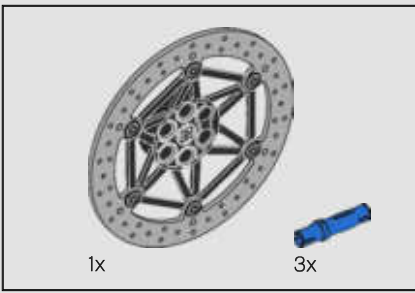
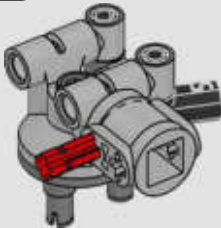


382

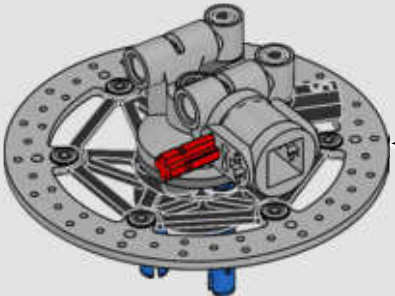
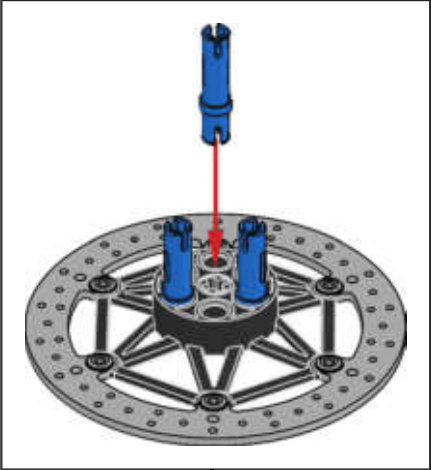


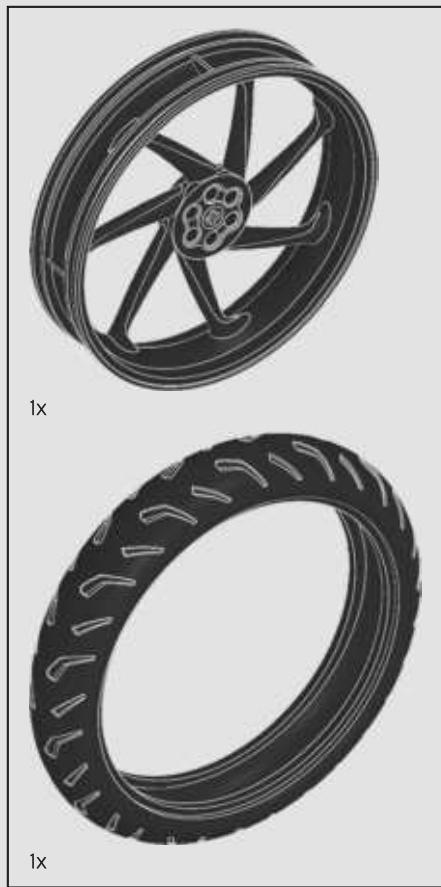


383



384

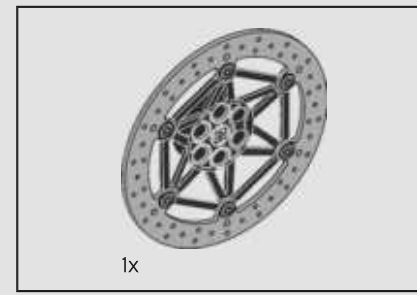




1x

1x

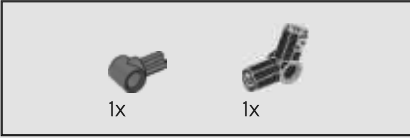
385



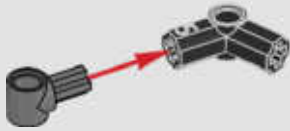
1x

386

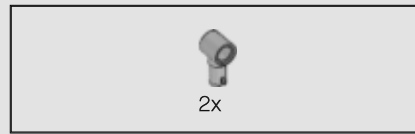




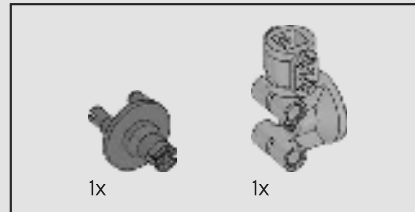
387



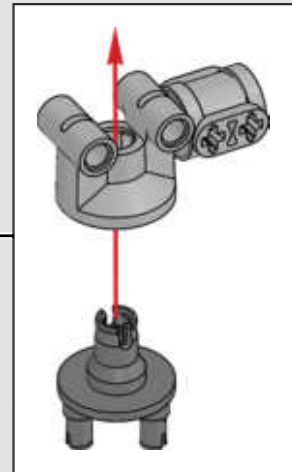
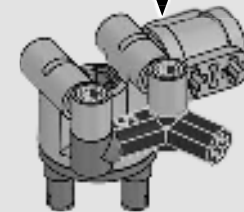
388



389

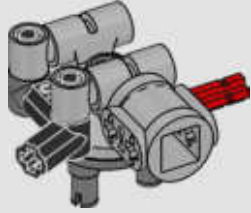


390





1x

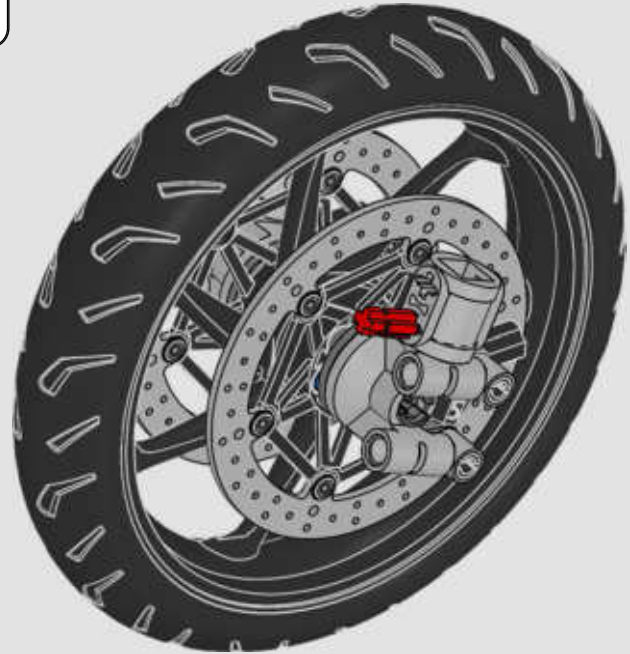


391

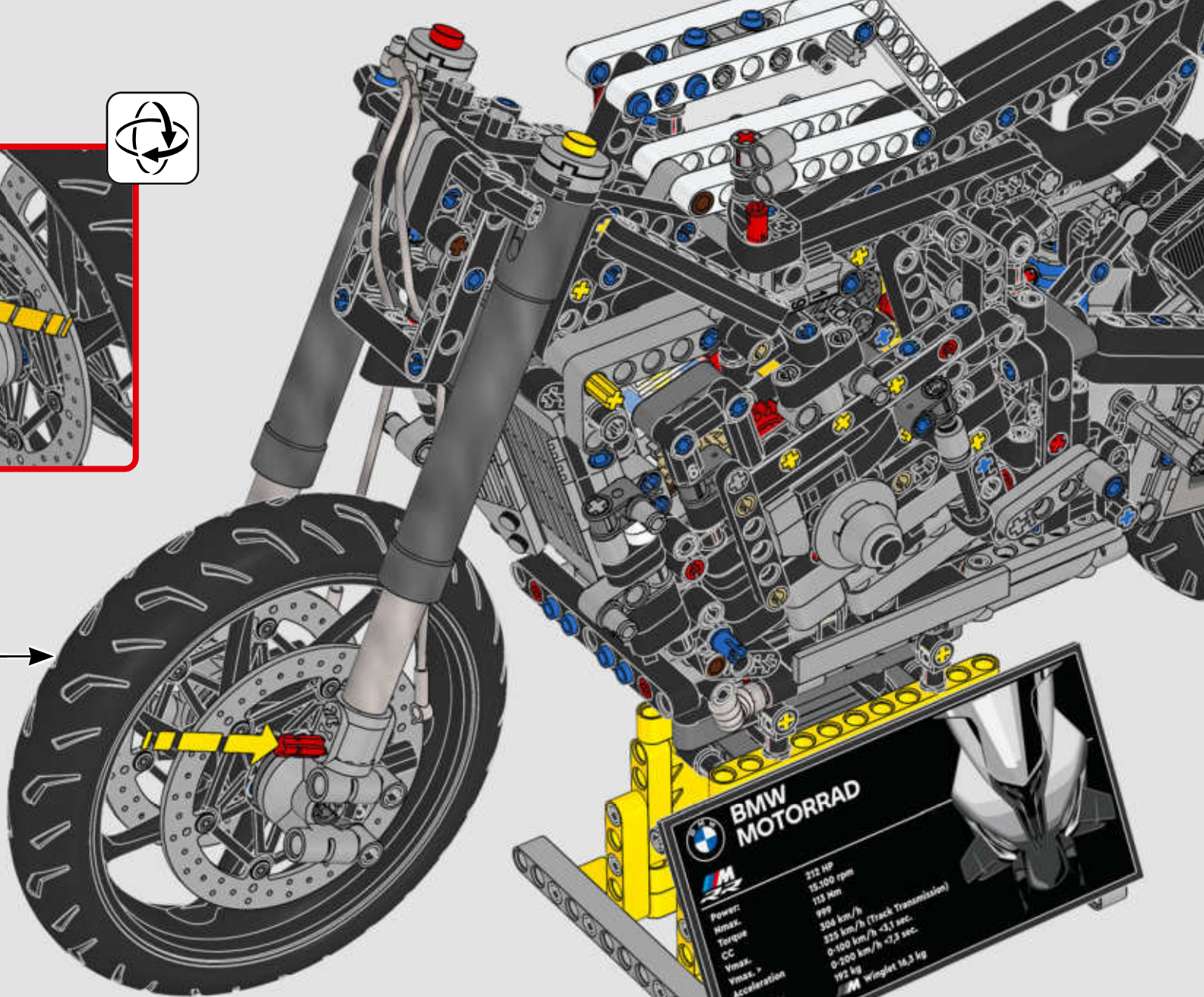
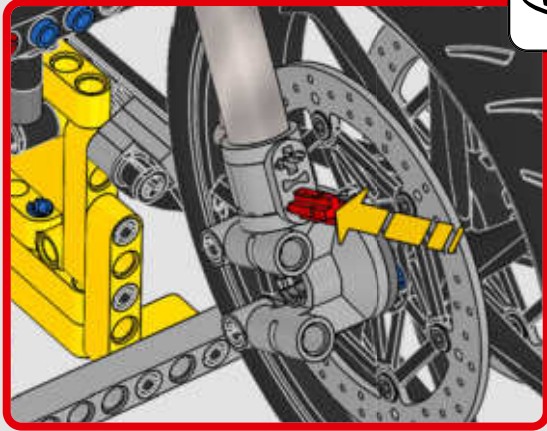
392



393



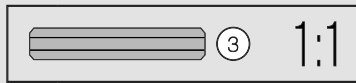
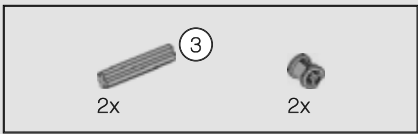
394



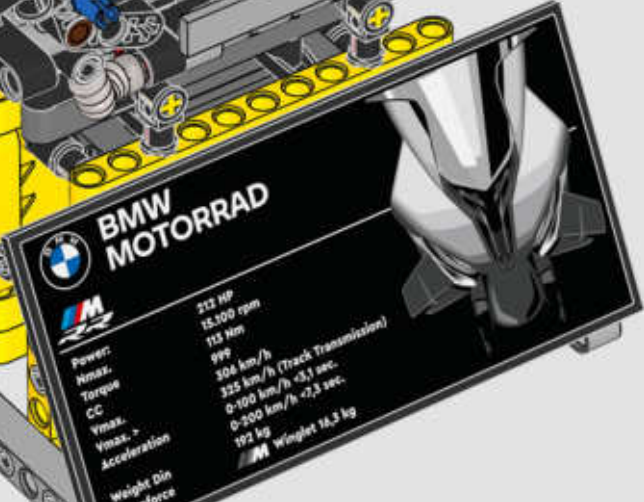
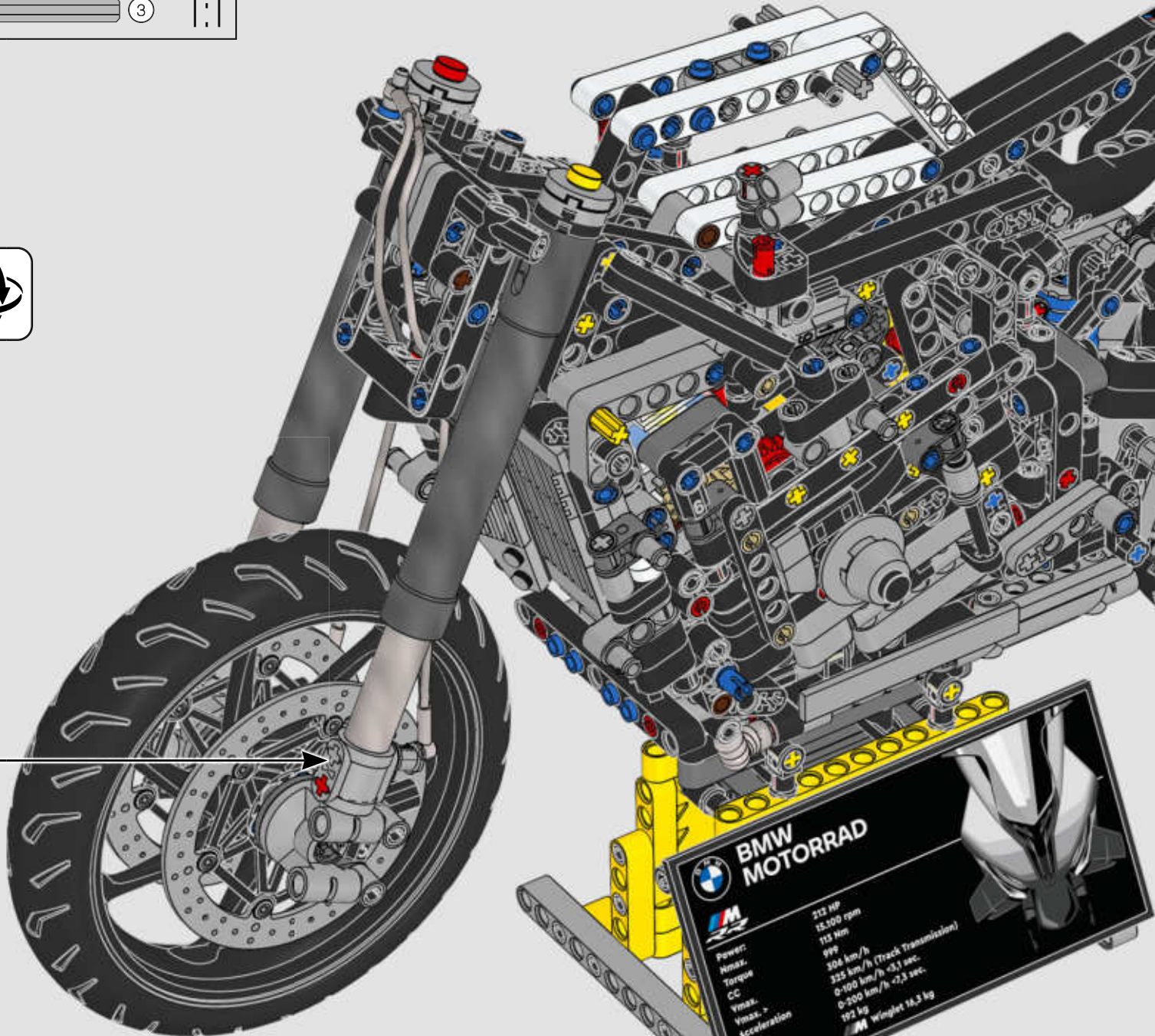
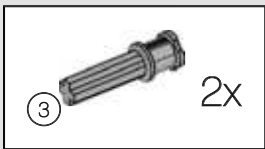
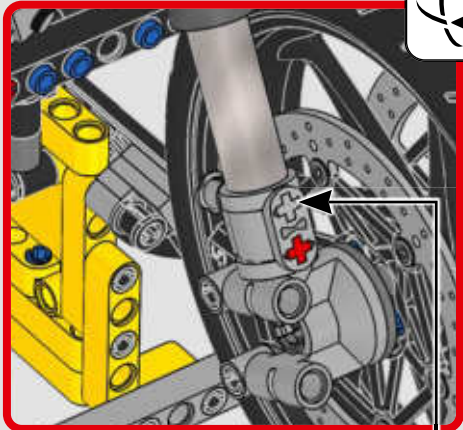
**BMW
MOTORRAD**

Power:	212 HP
rpm:	15,100 rpm
Torque:	115 Nm
CC:	990
0-100 km/h:	3.06 km/h (Track Transmission)
0-100 km/h:	4.1 sec.
0-200 km/h:	7.8 sec.
Weight:	192 kg
Winglet:	16.3 kg

Weight Din
Downforce



395

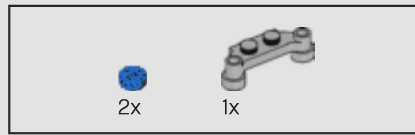




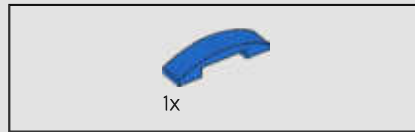
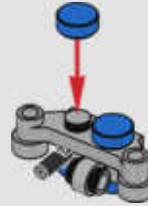
396



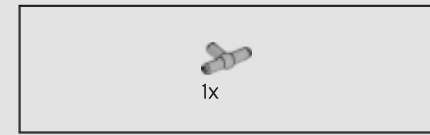
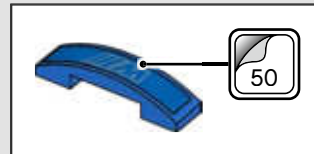
397



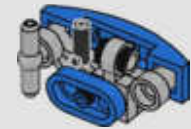
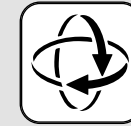
398

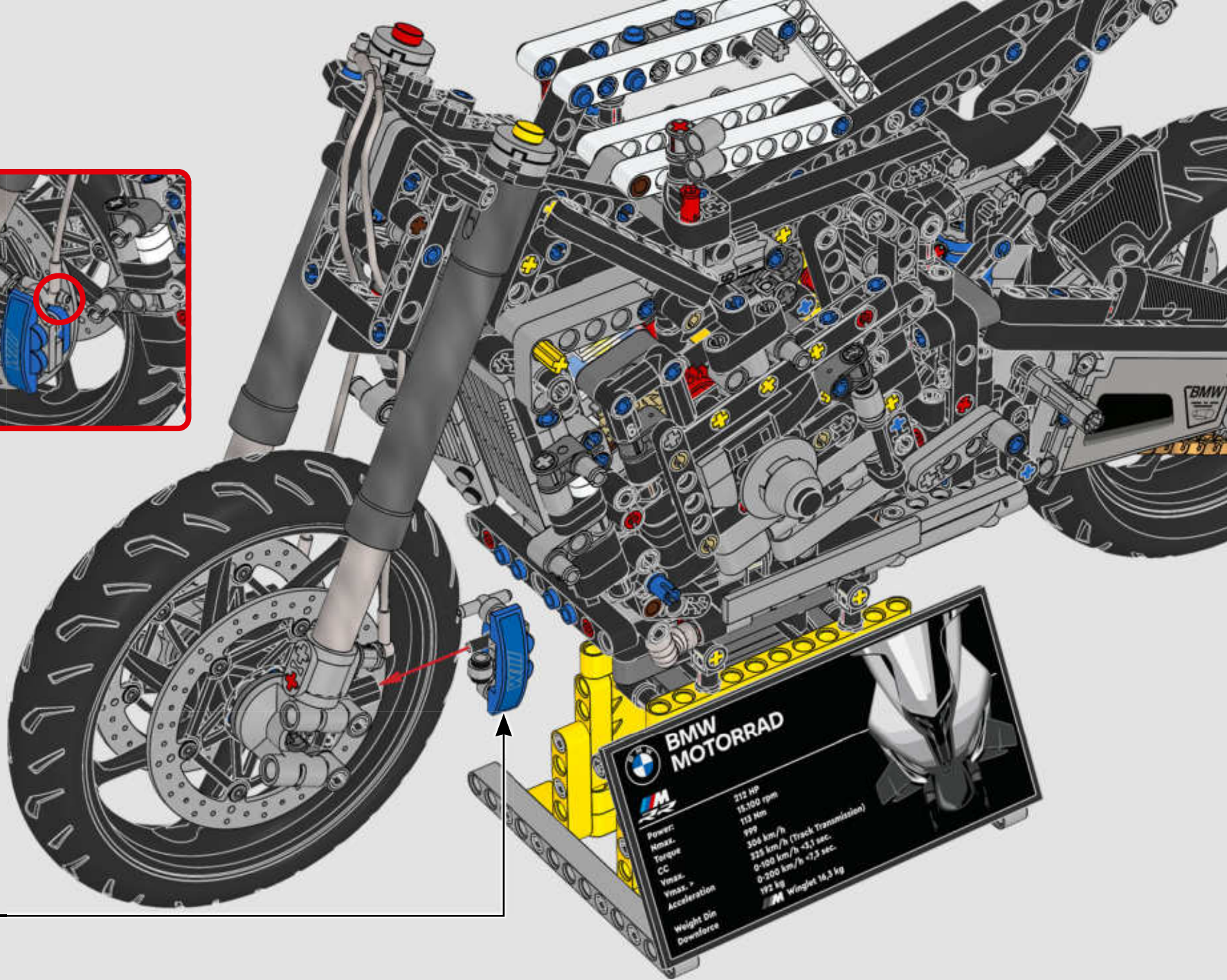
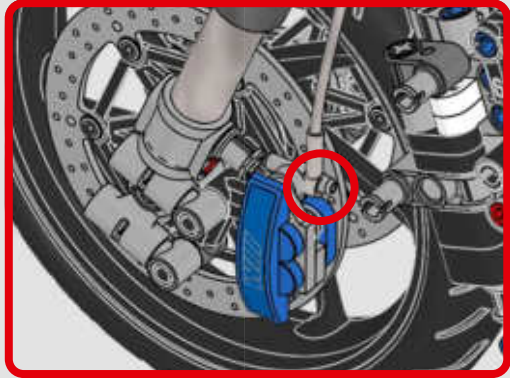


399



400



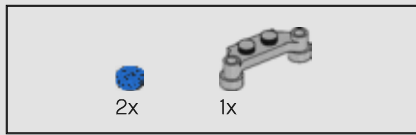




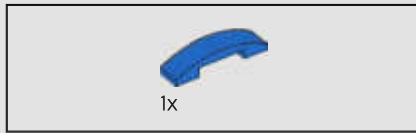
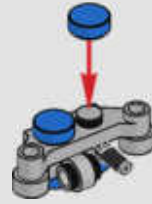
402



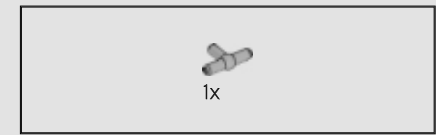
403



404

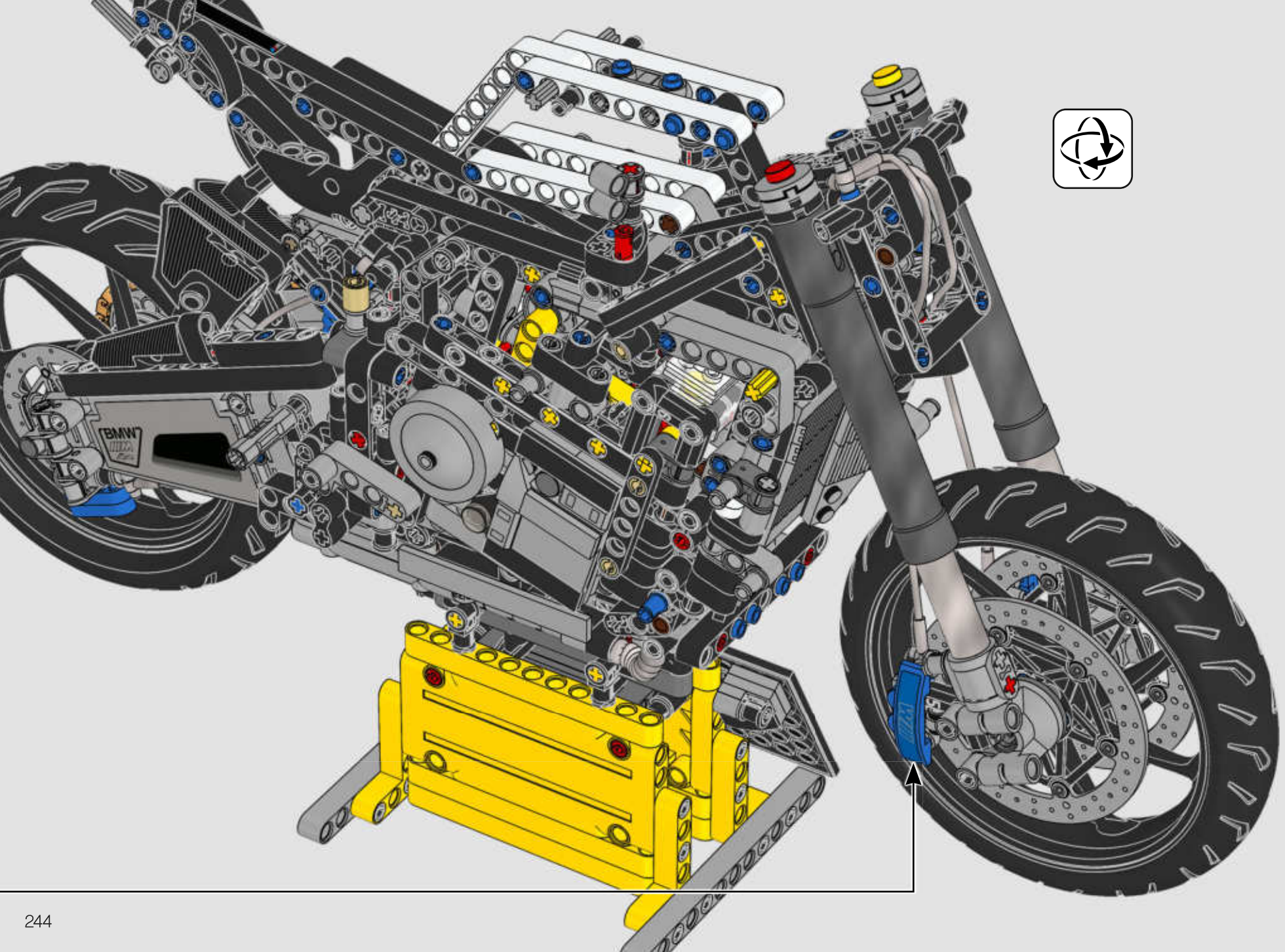


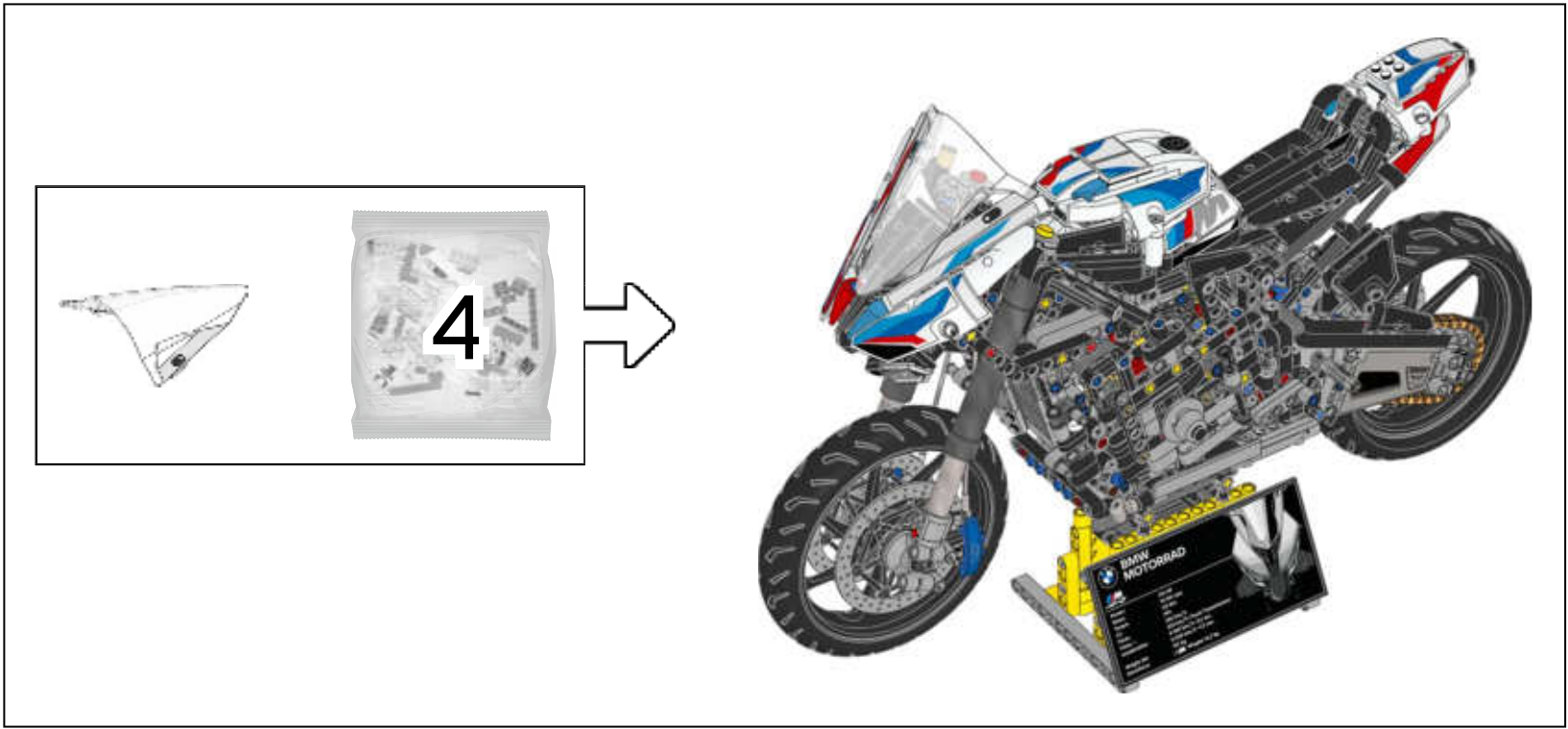
405

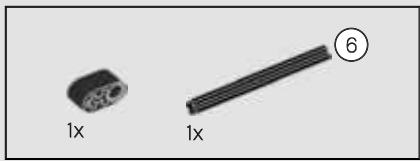


406

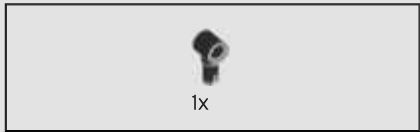




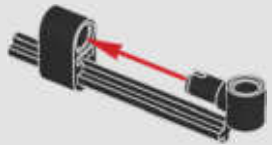




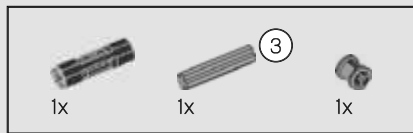
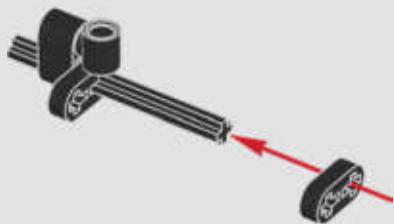
407



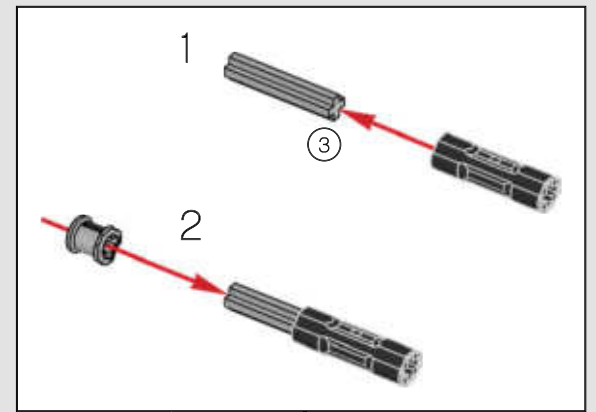
408



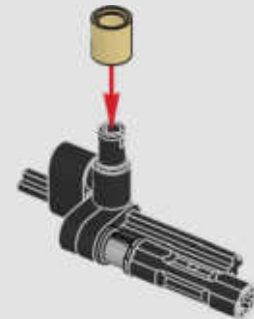
409



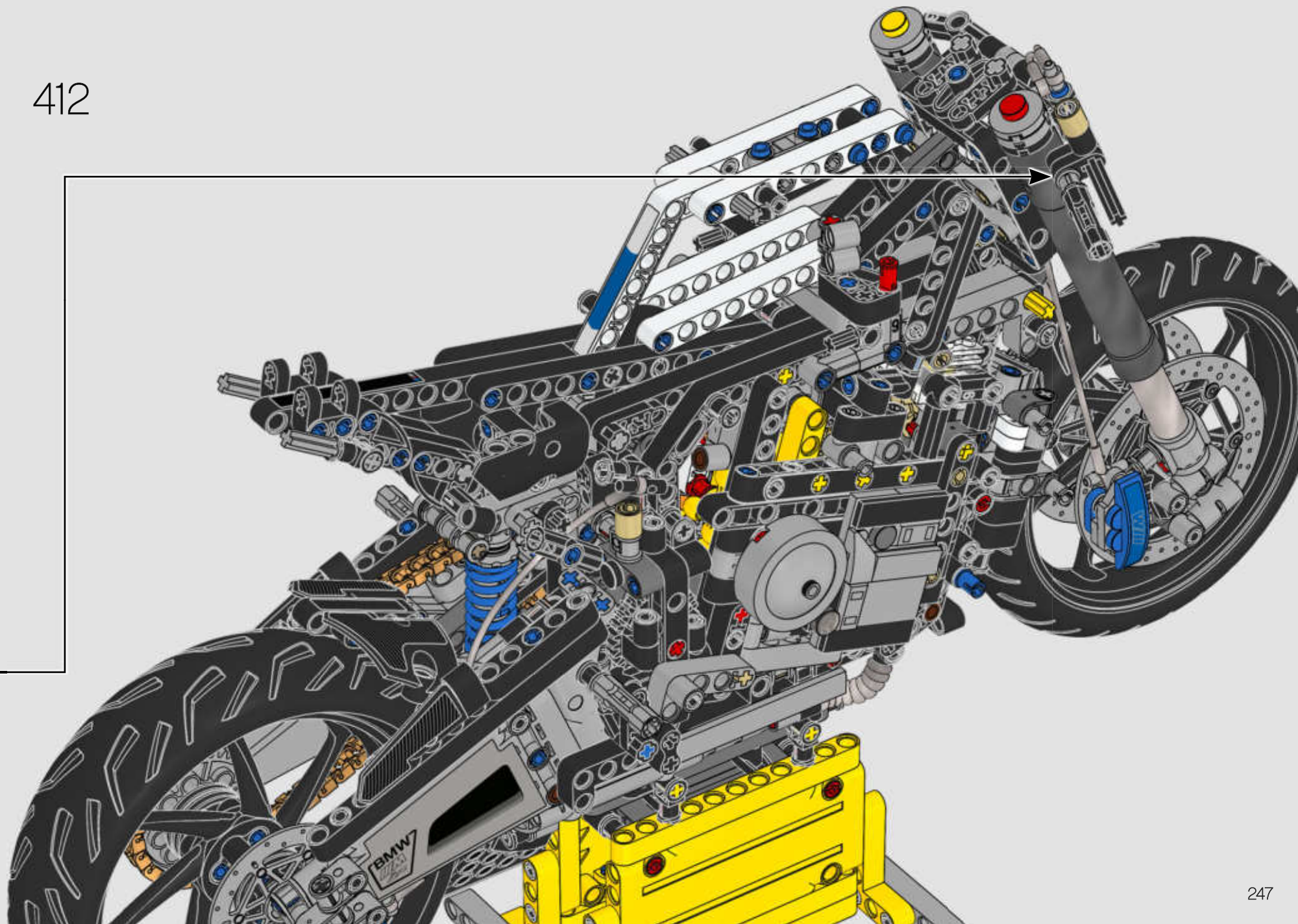
410

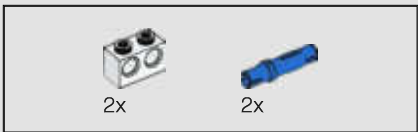


411

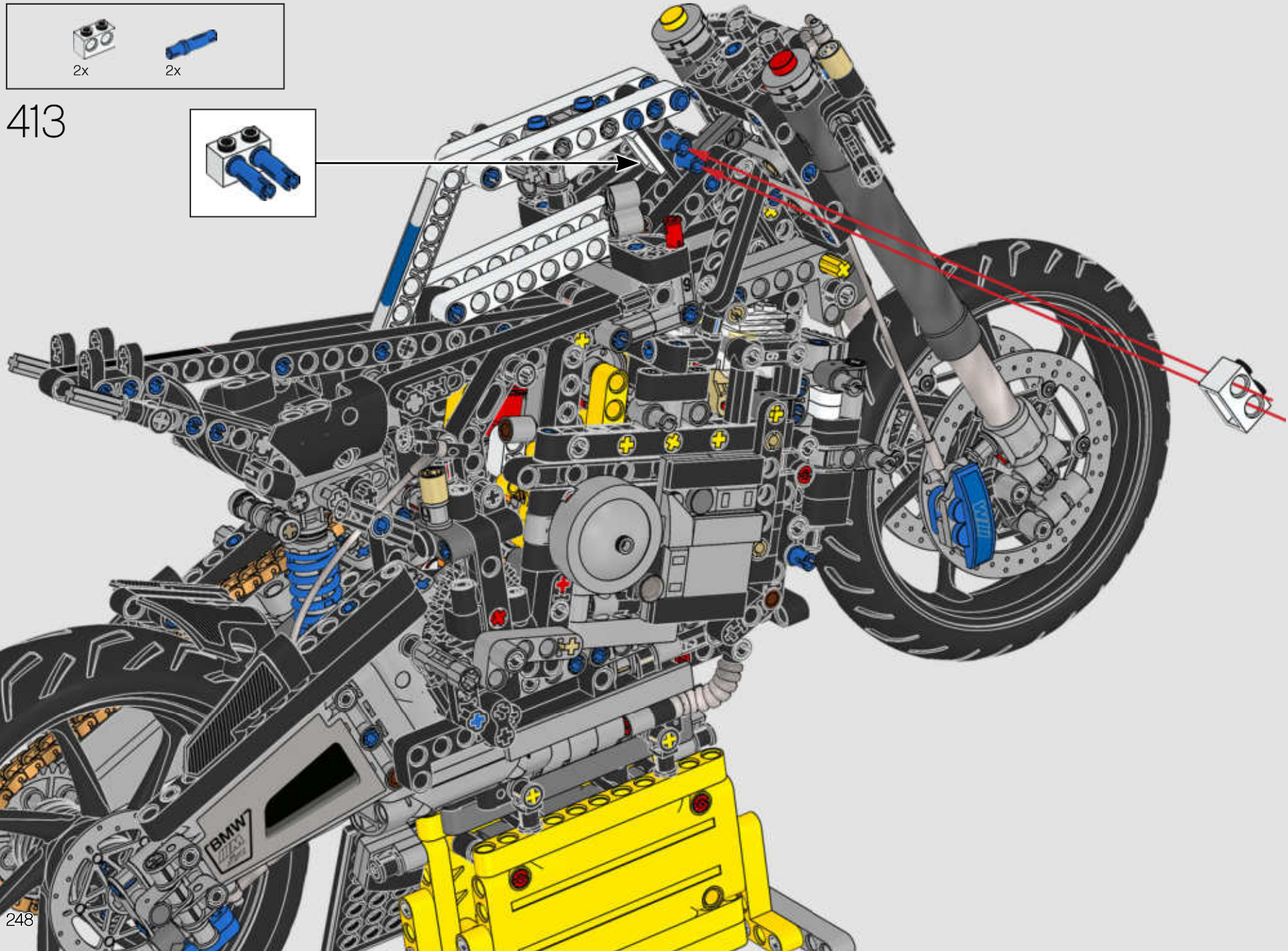


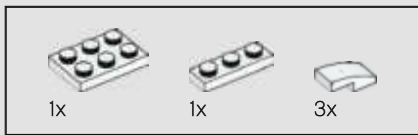
412



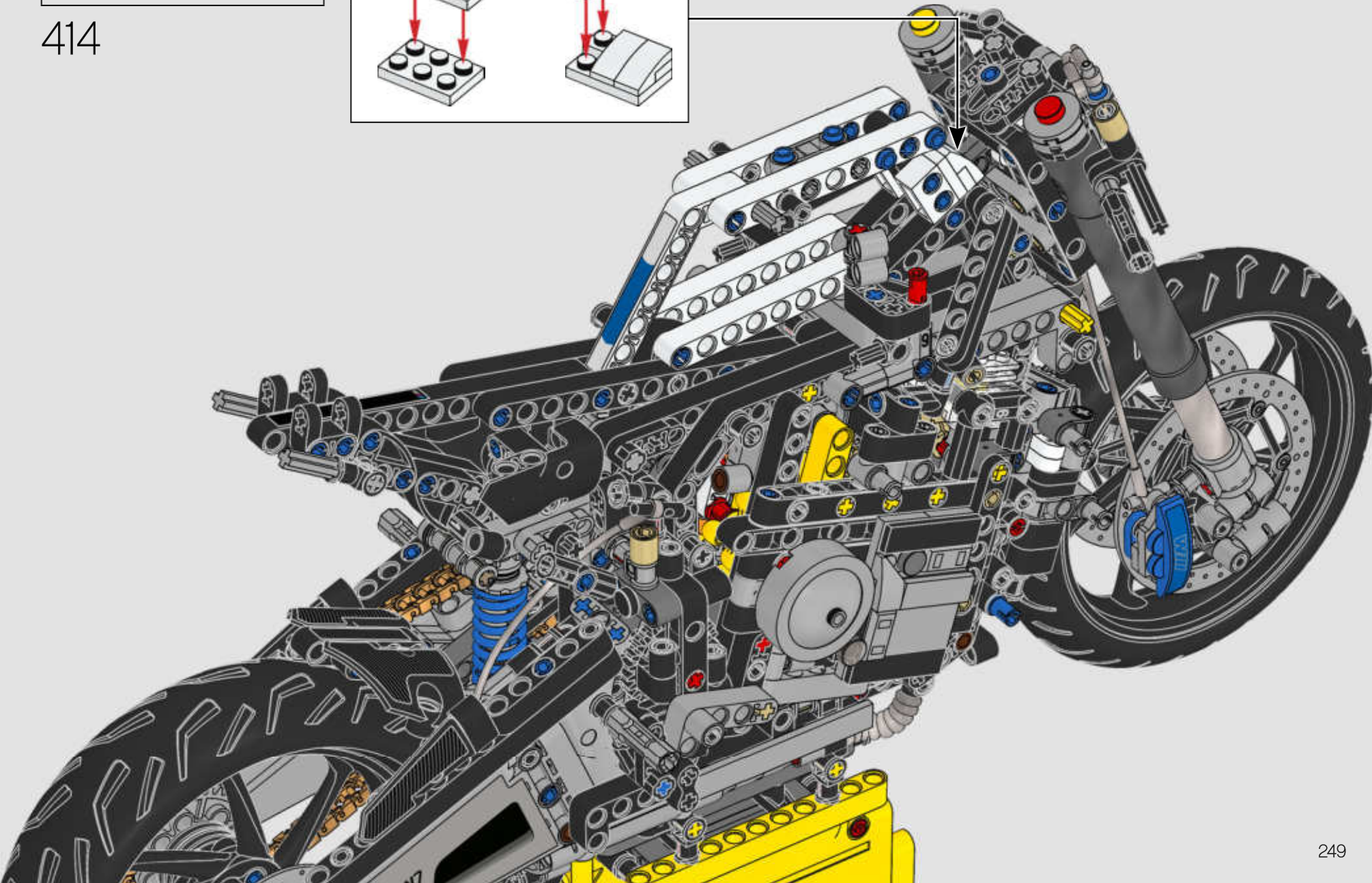
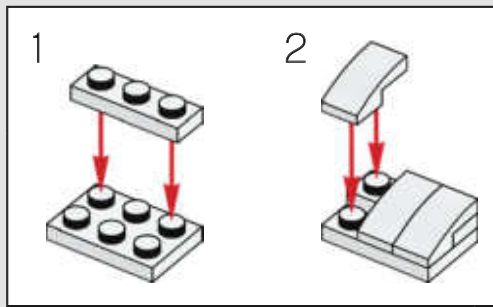


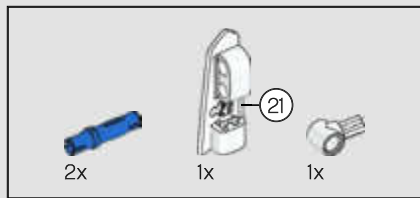
413



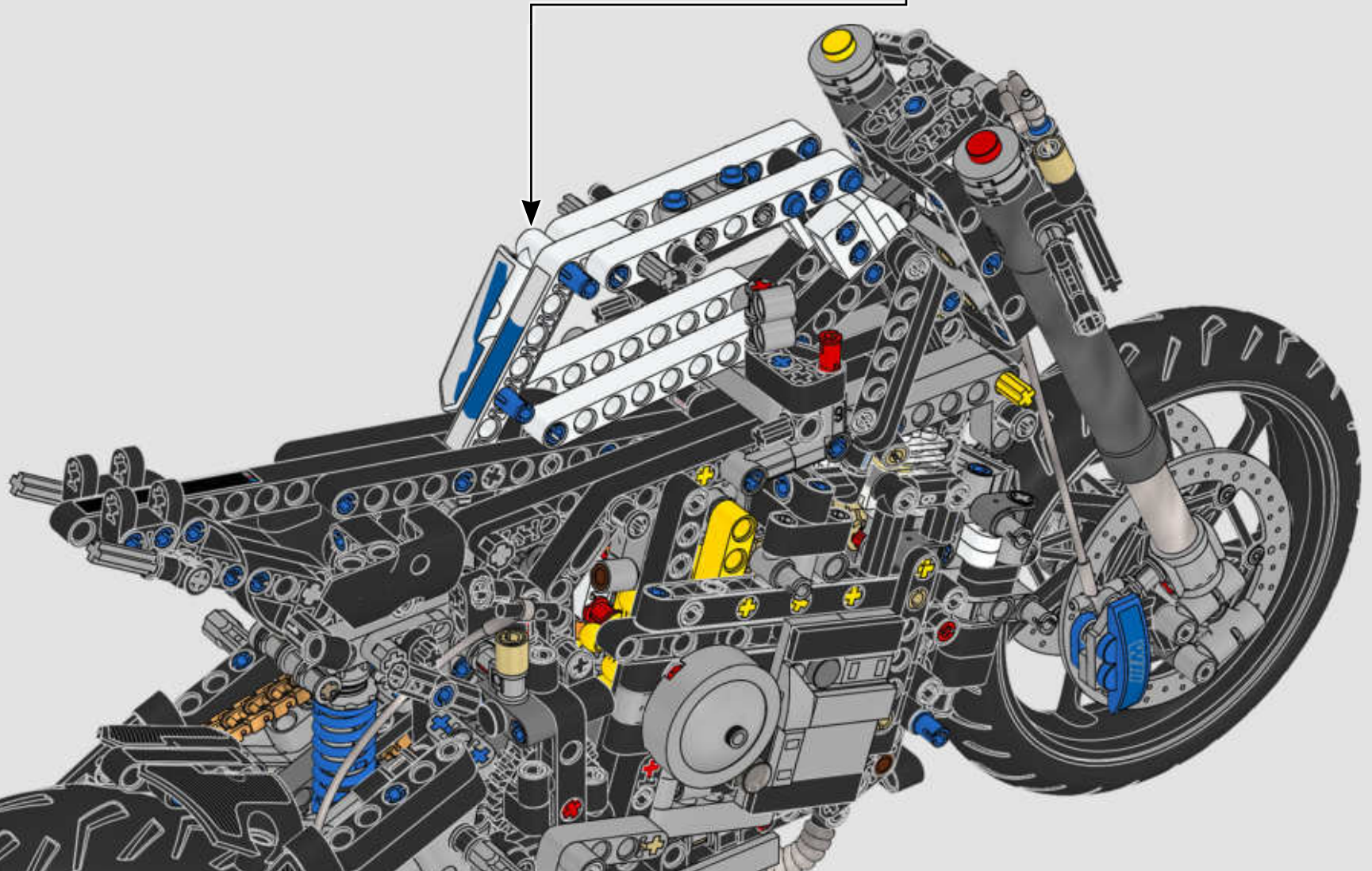
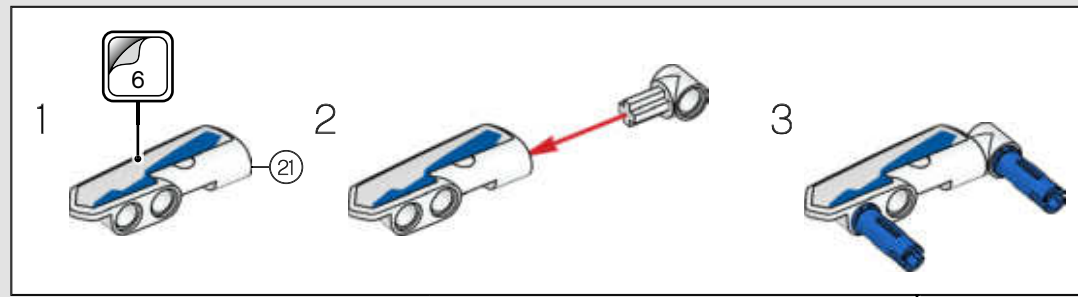


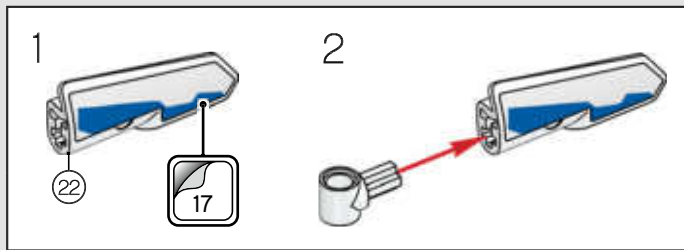
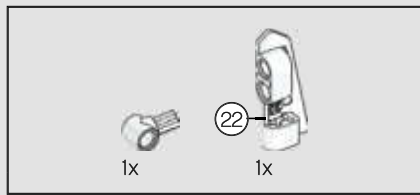
414



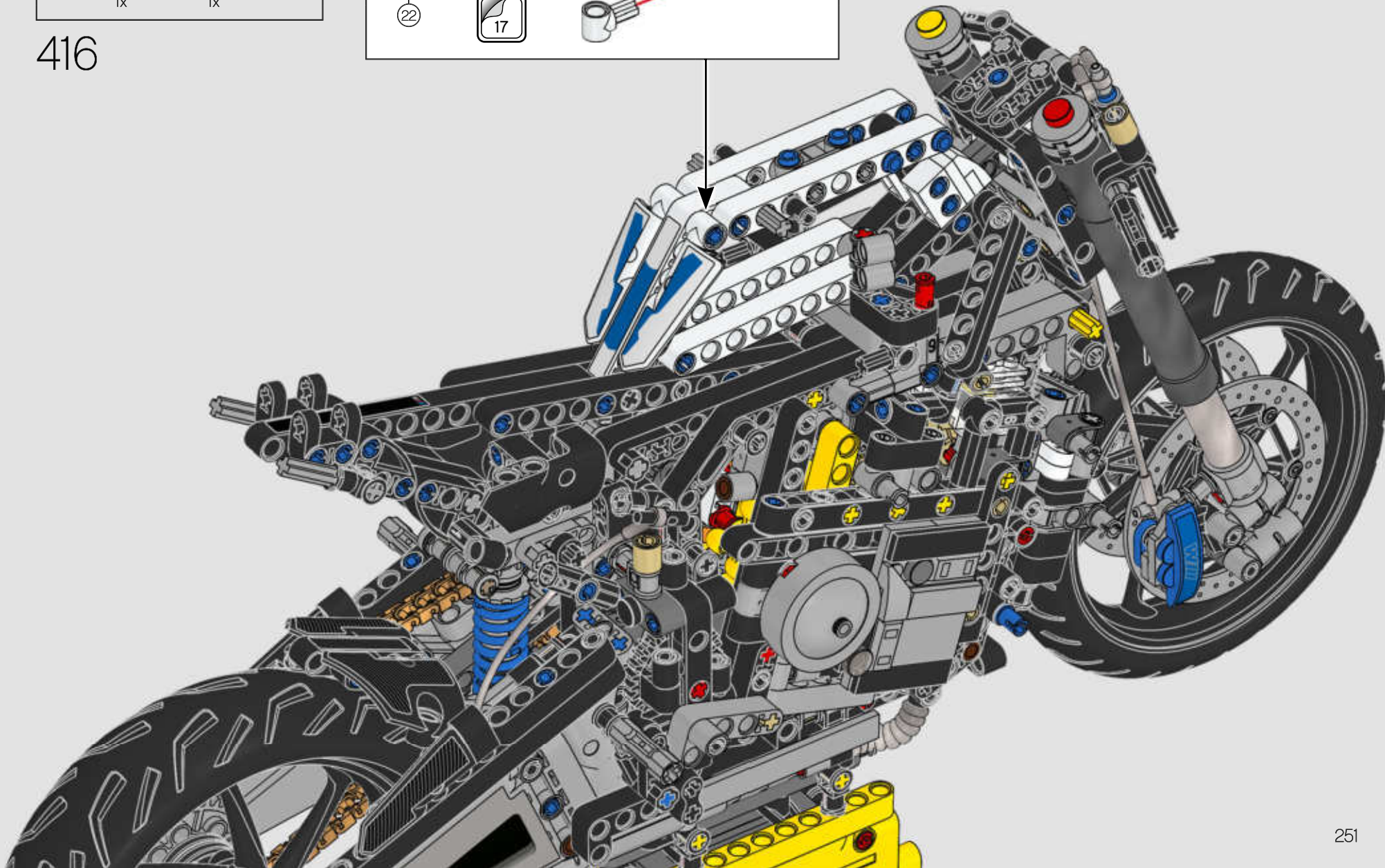


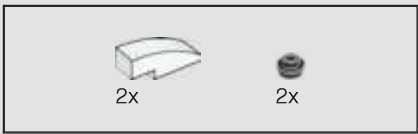
415



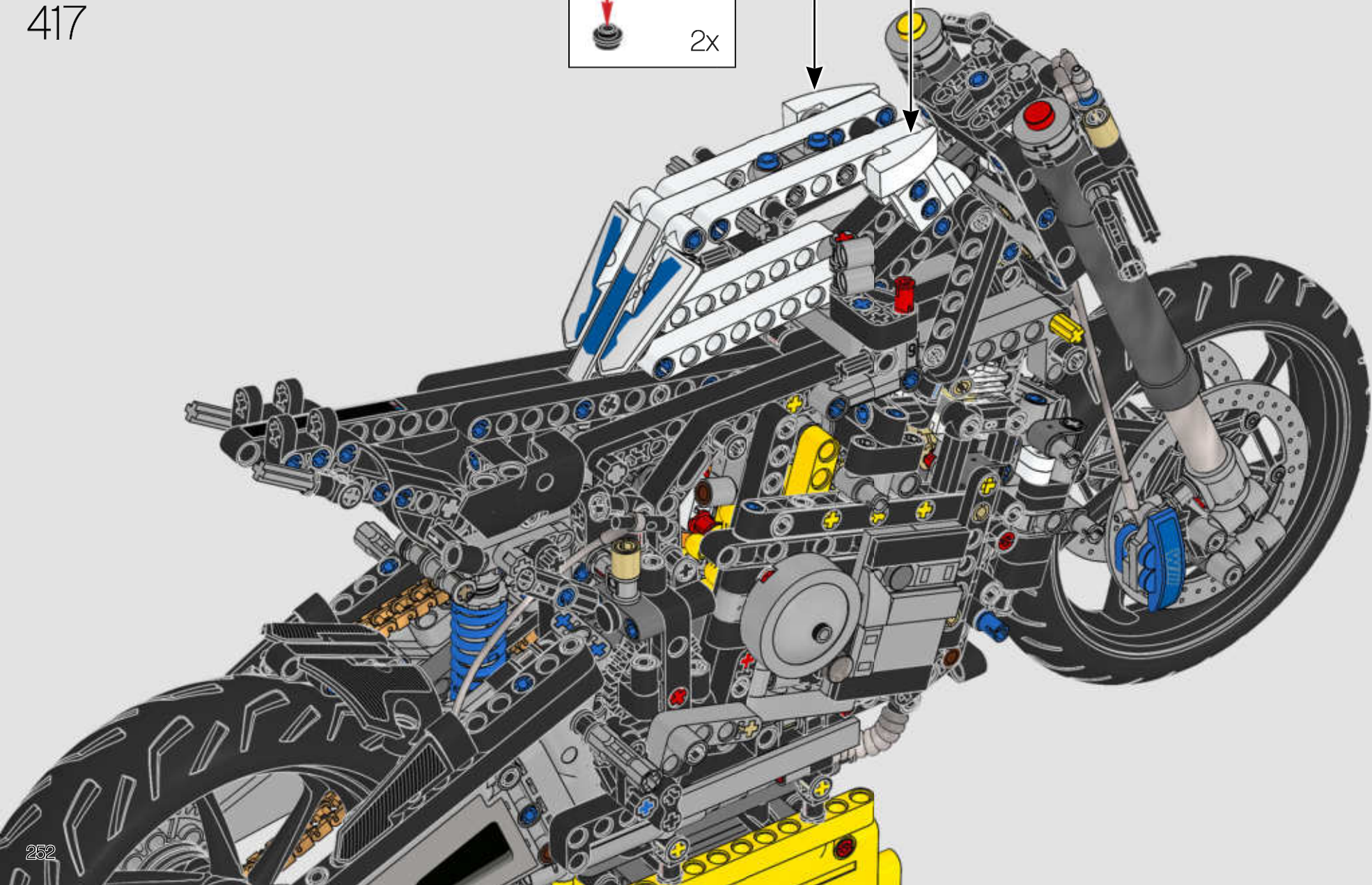
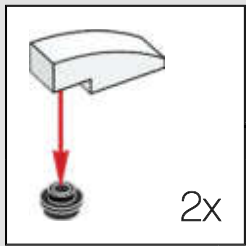


416



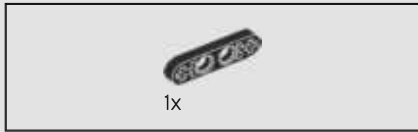


417





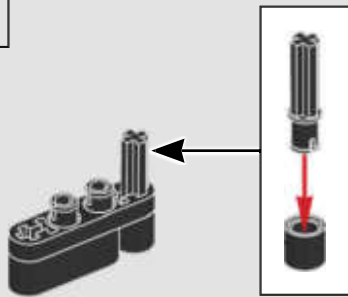
418



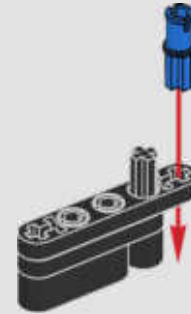
419



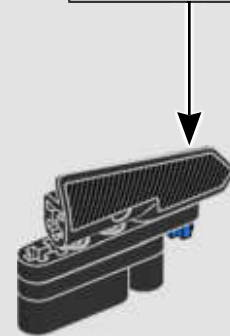
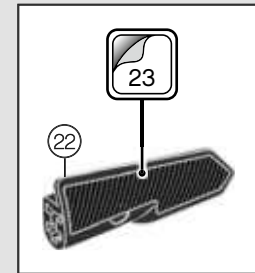
420

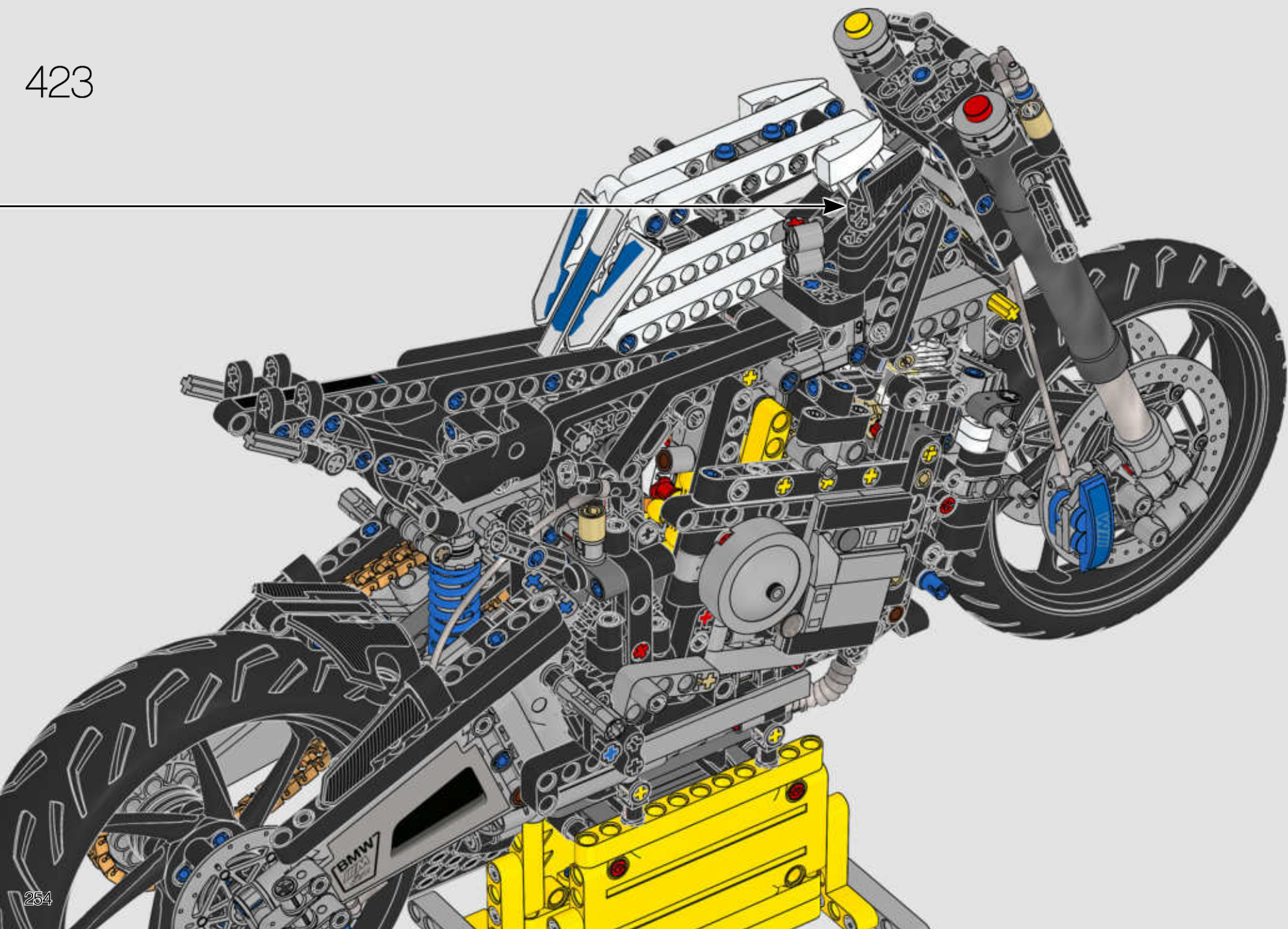


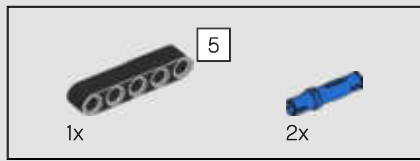
421



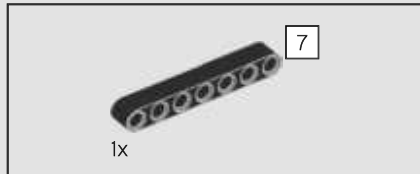
422



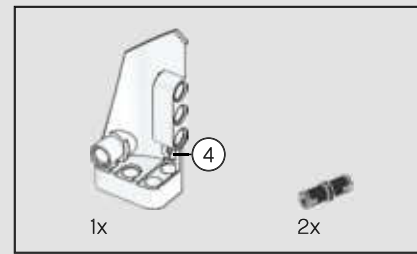
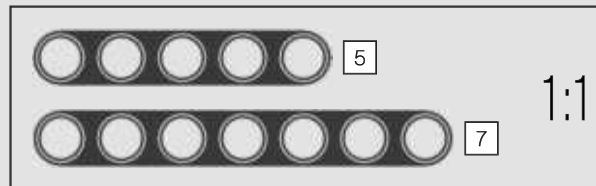
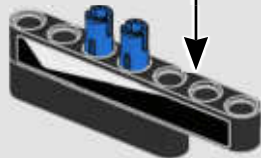
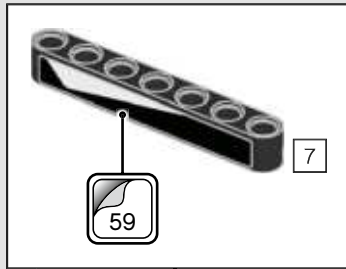




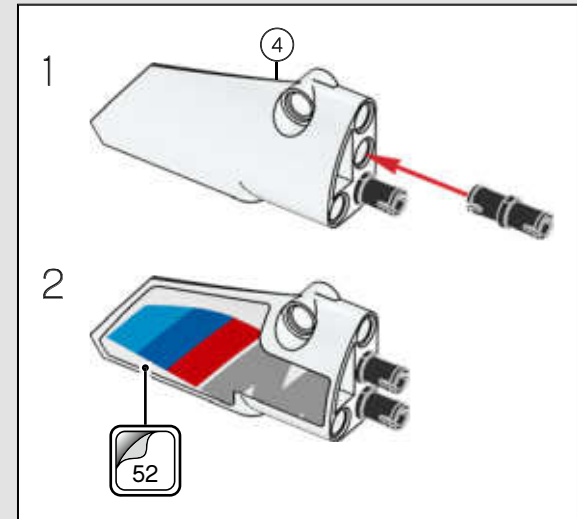
424



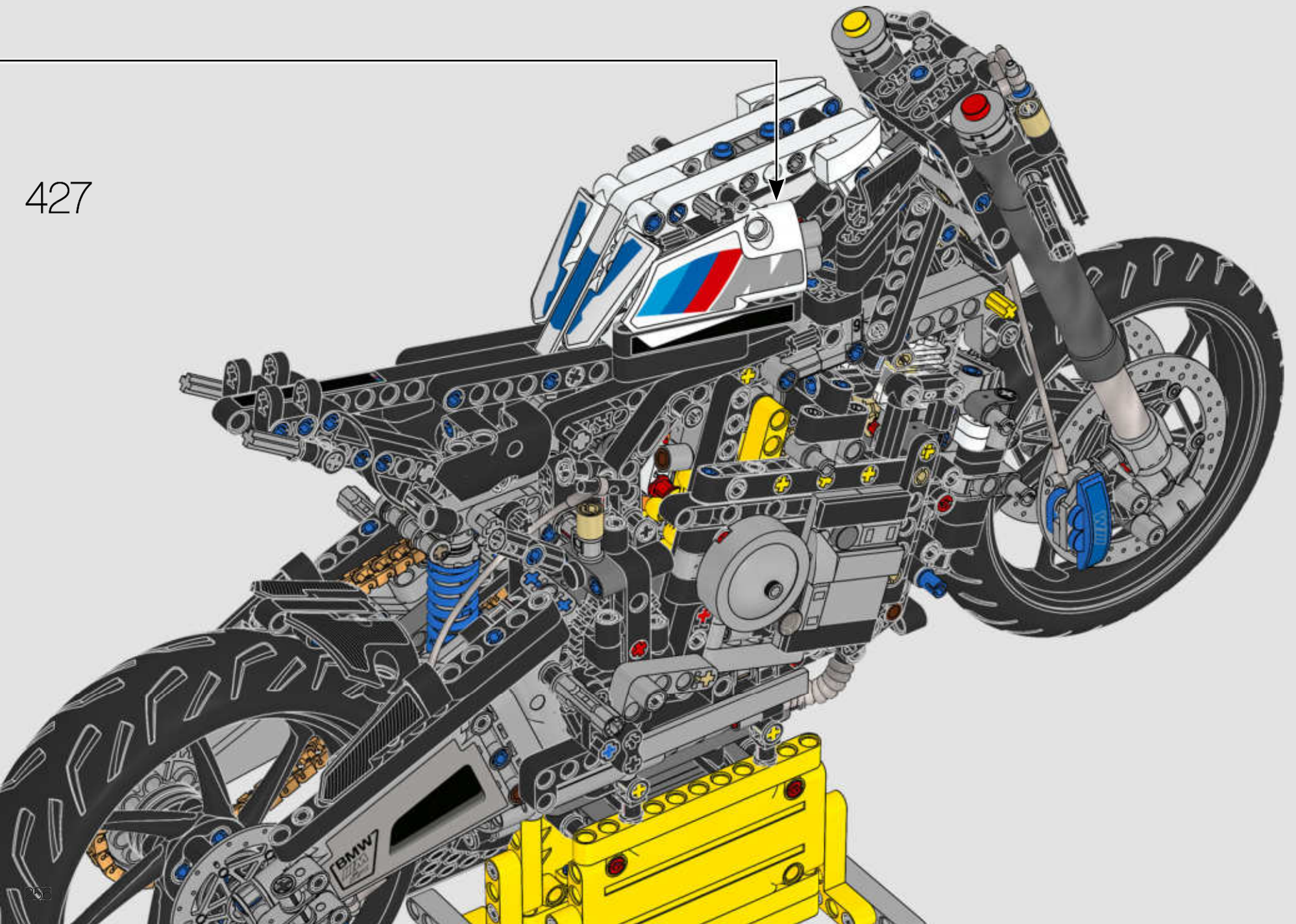
425

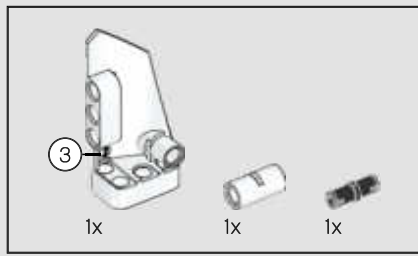


426

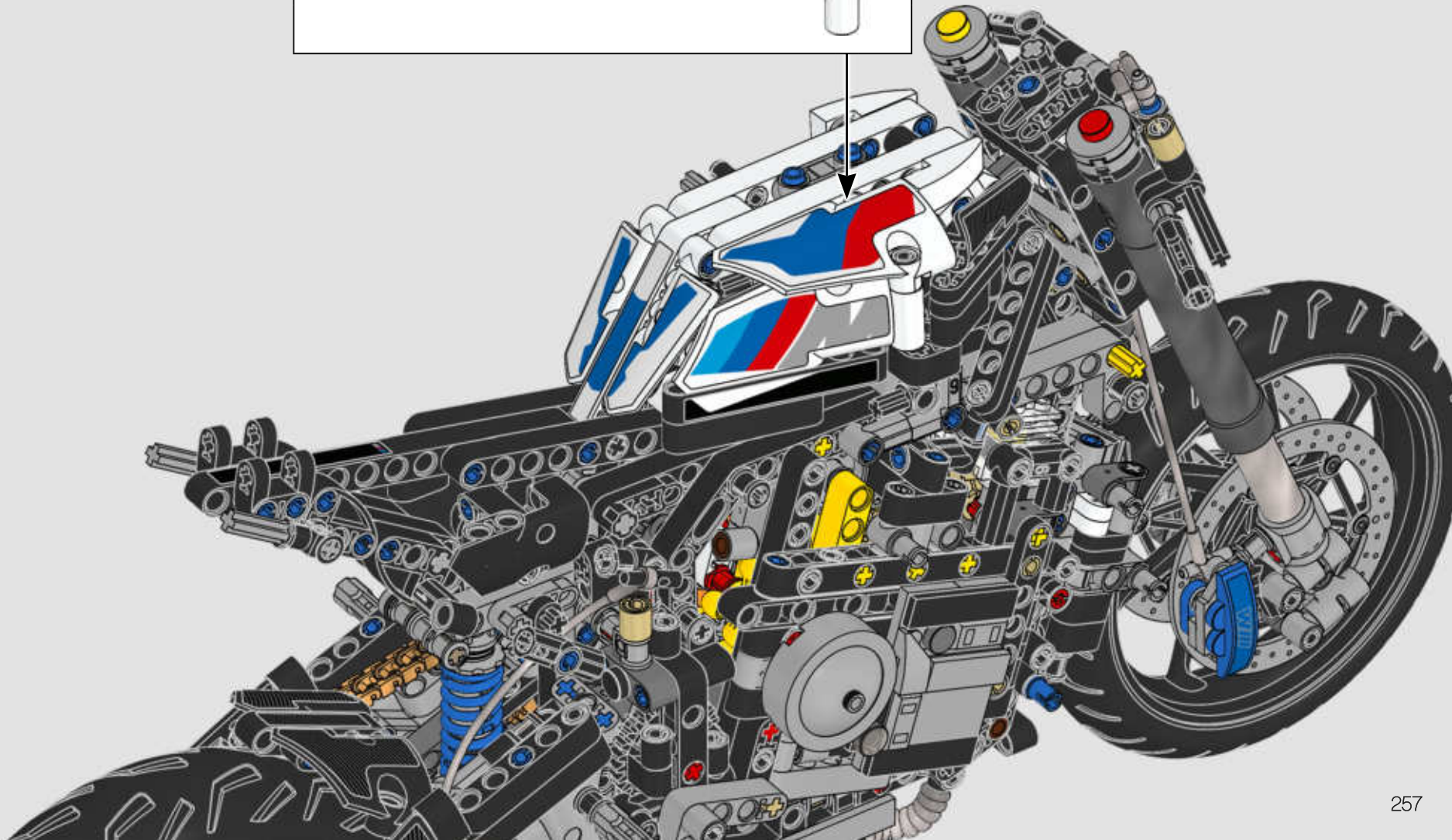
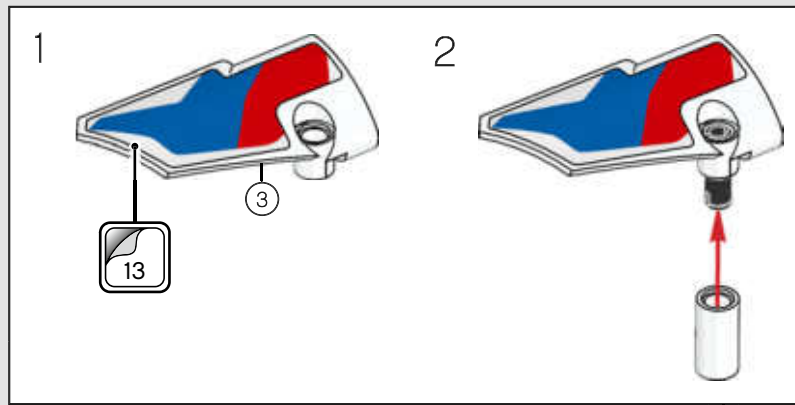


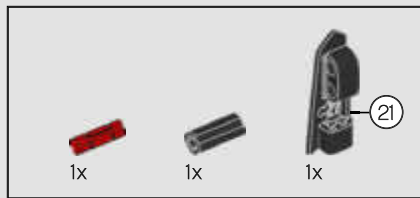
427



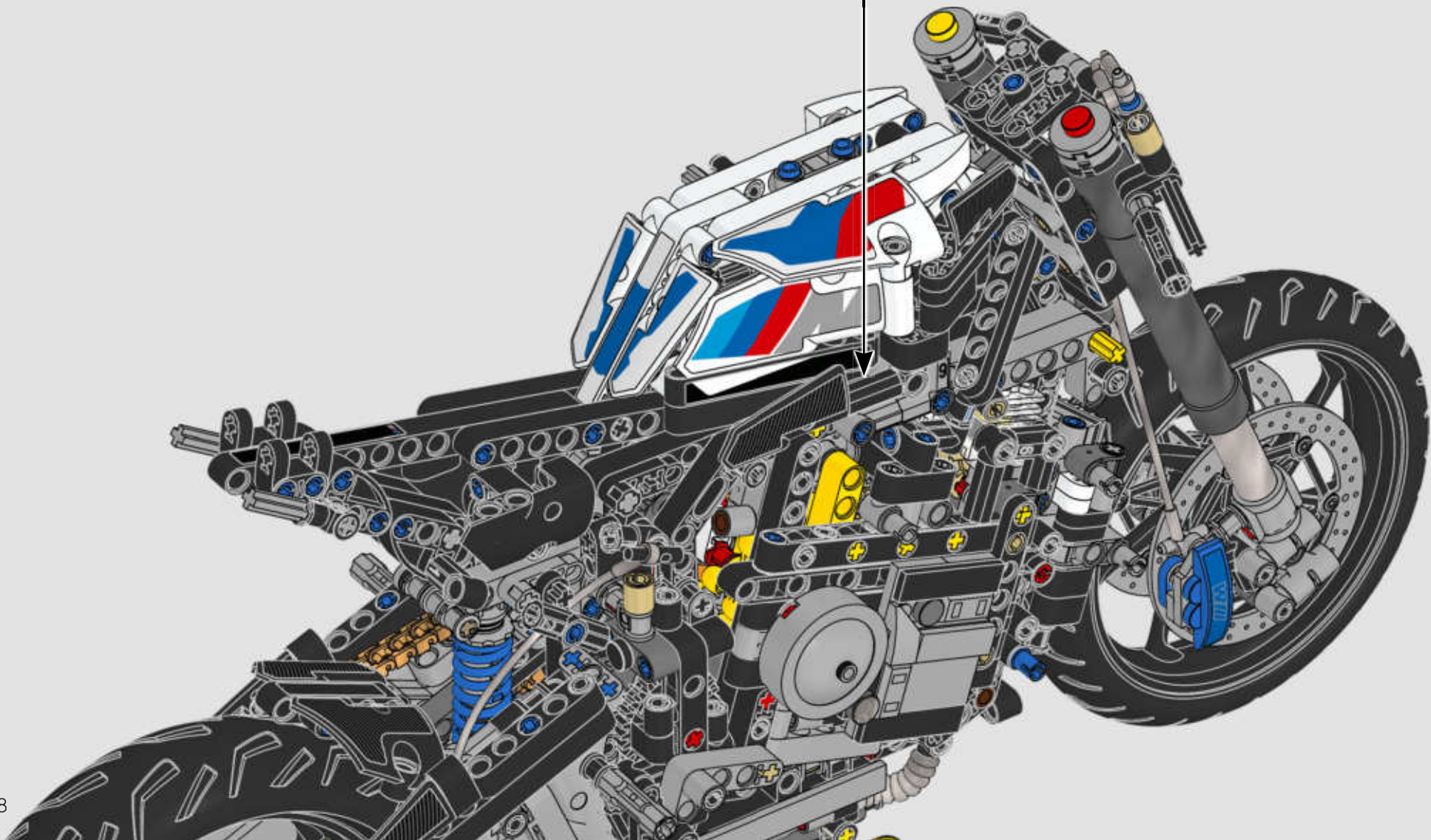
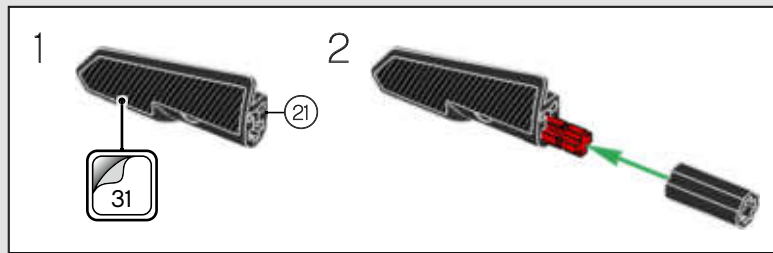


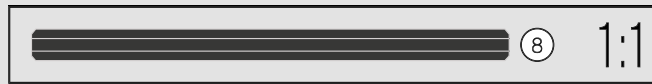
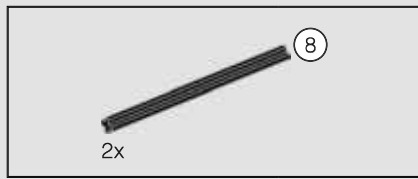
428



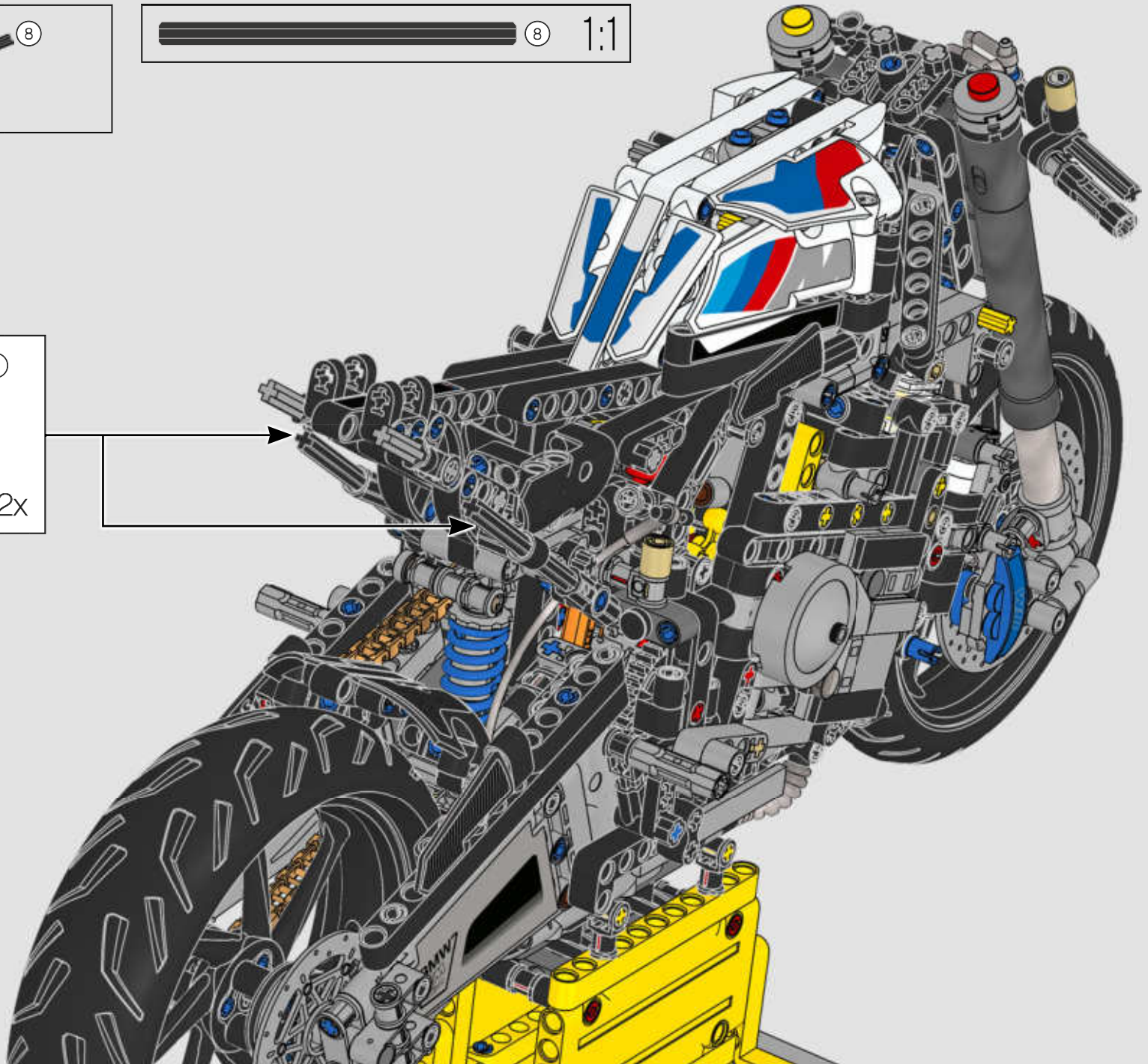
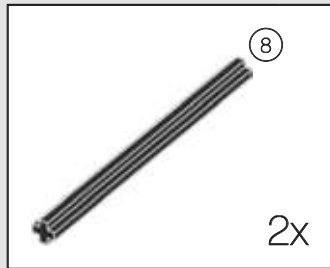


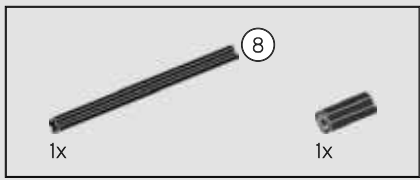
429



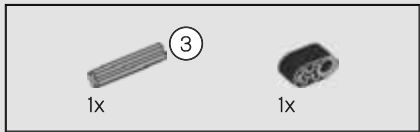
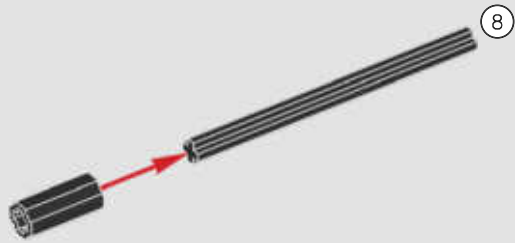


430

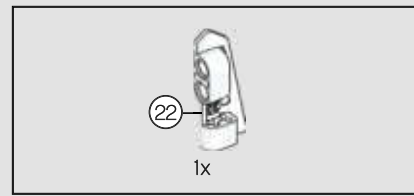
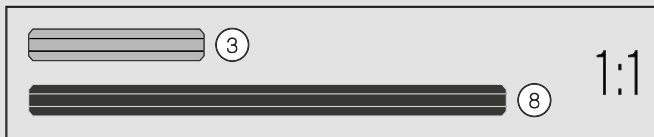
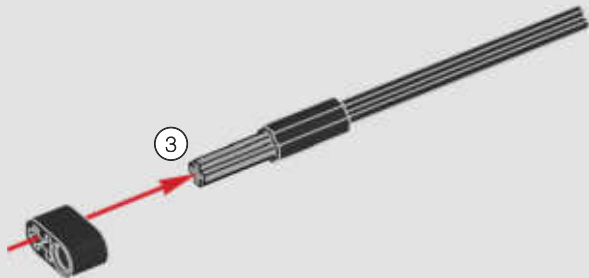




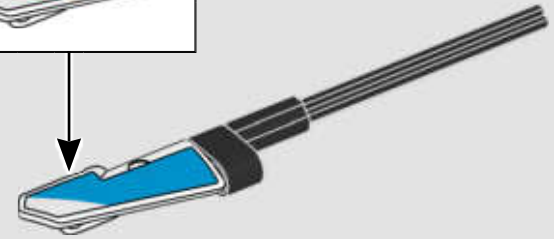
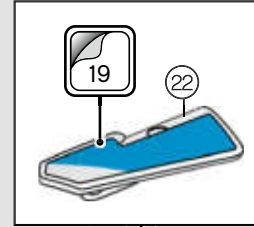
431



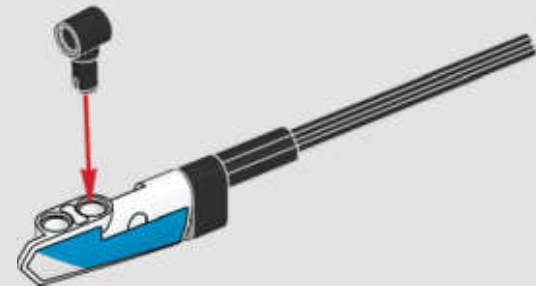
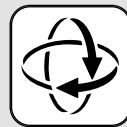
432



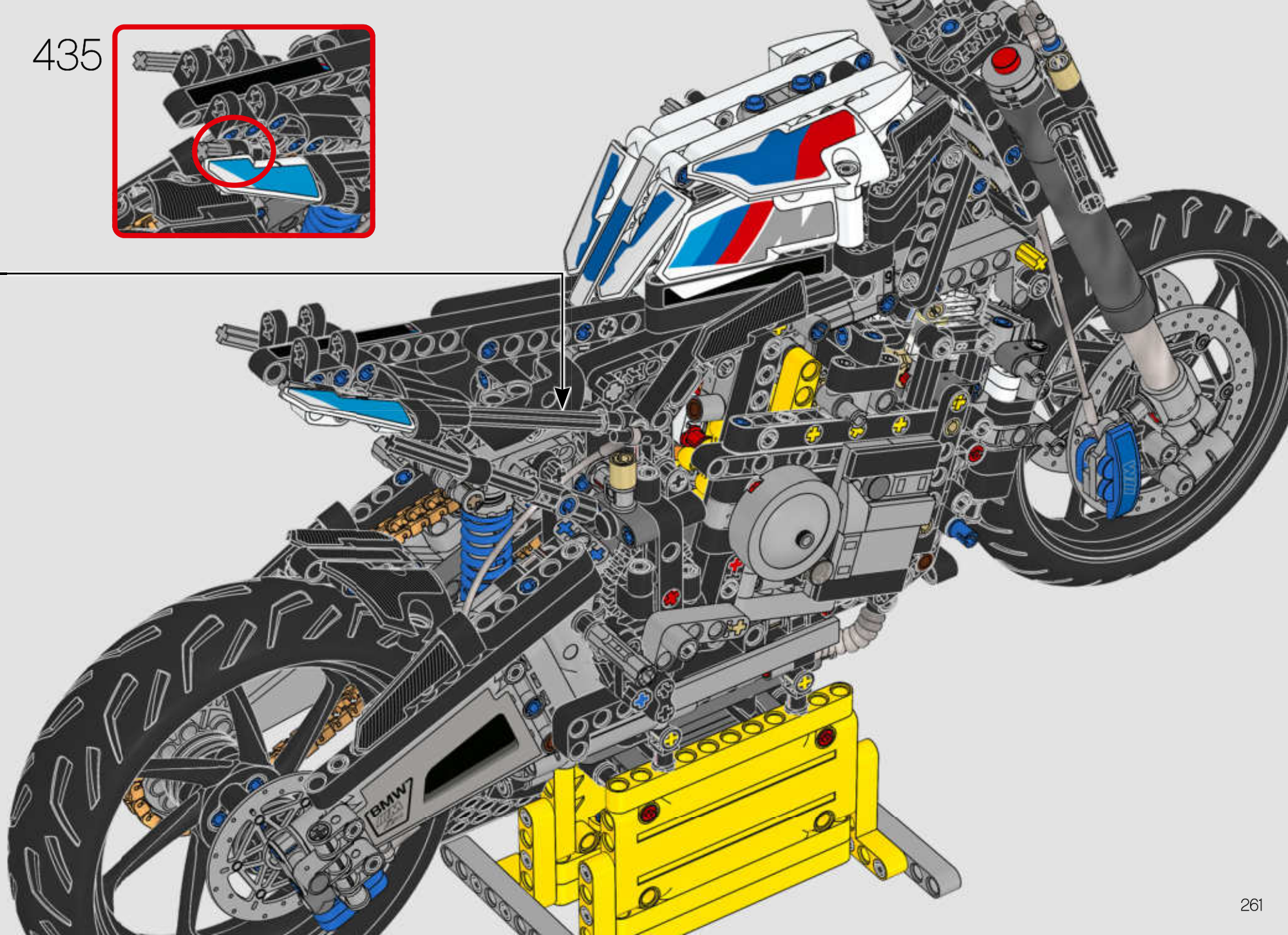
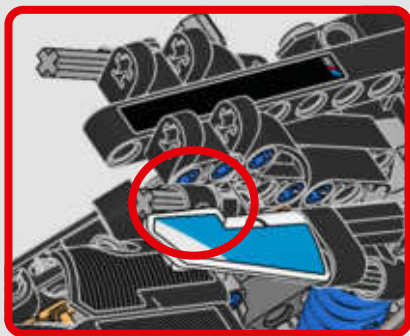
433

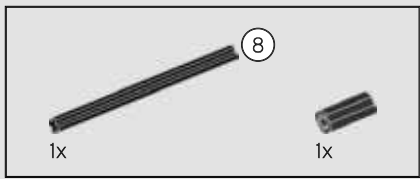


434

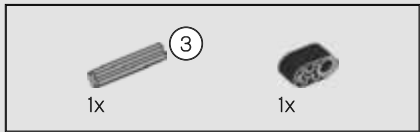


435

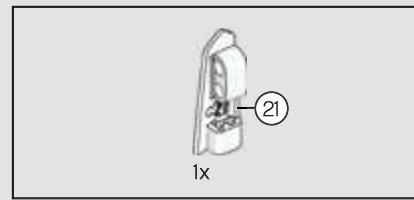
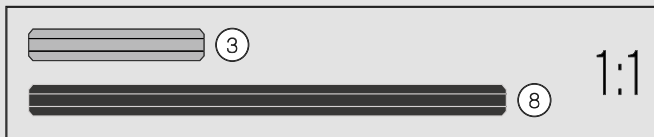
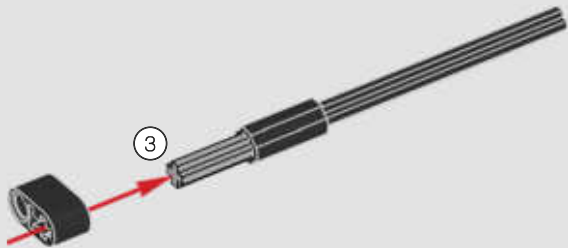




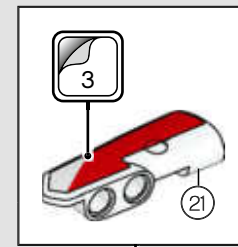
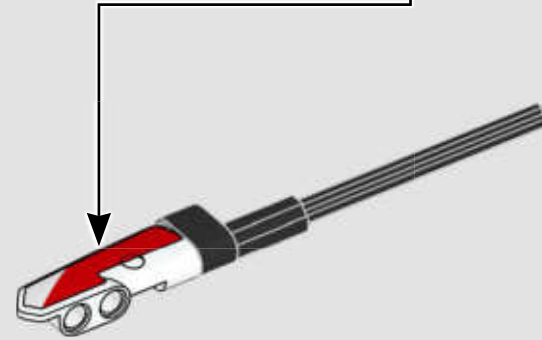
436



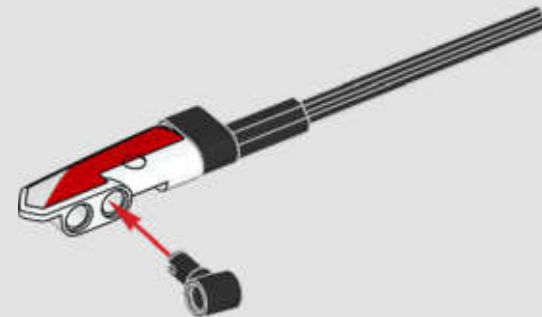
437

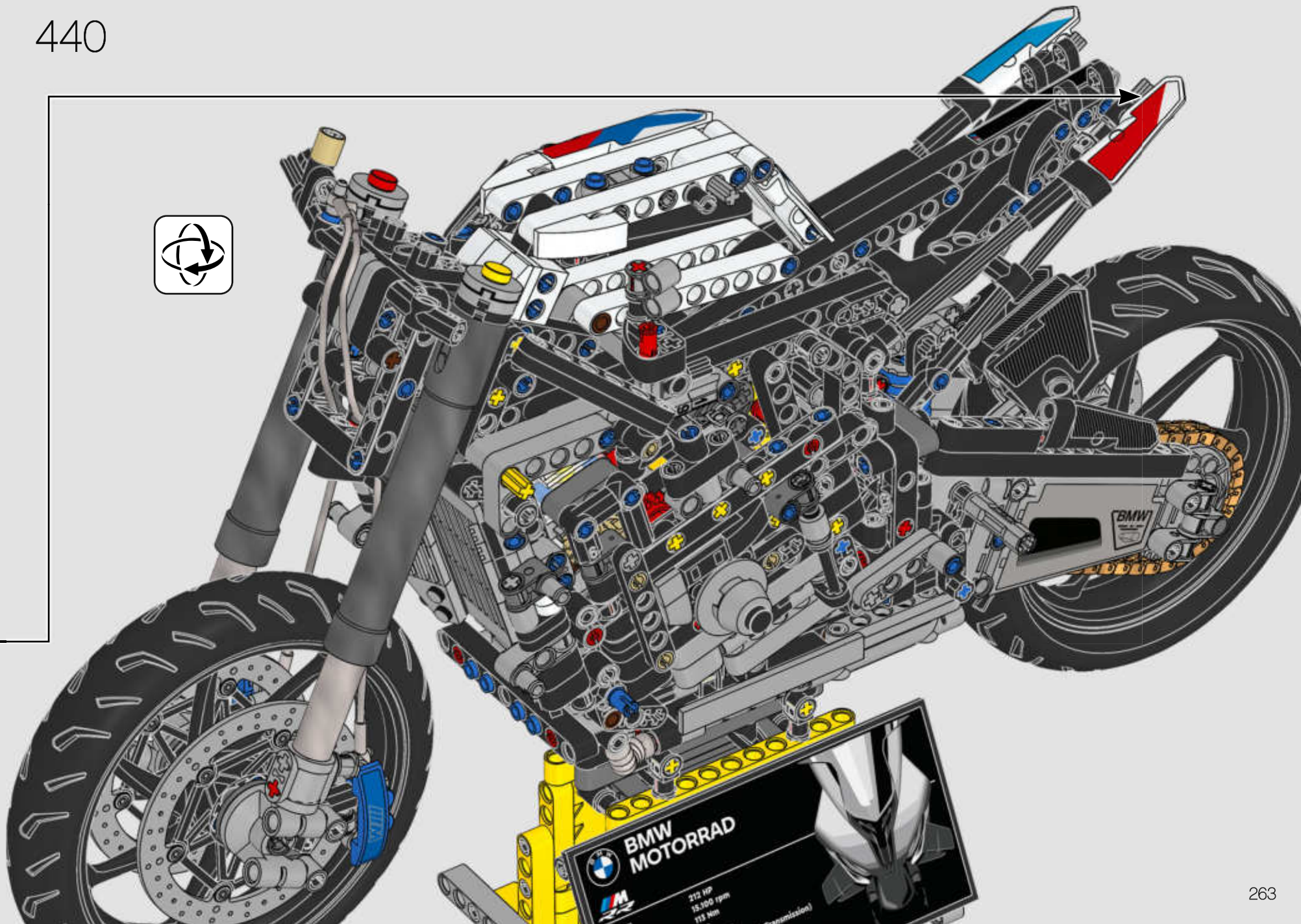


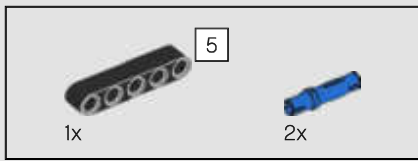
438



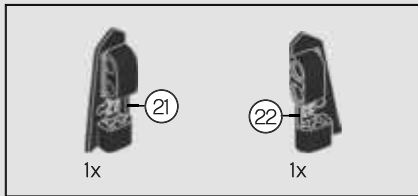
439



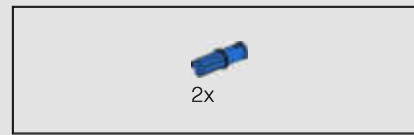
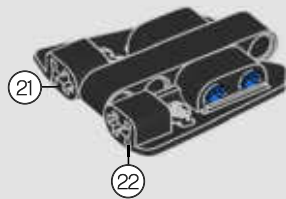




441



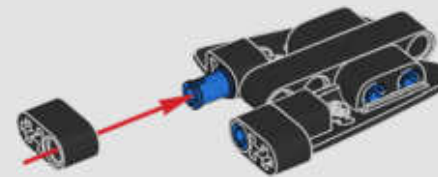
442



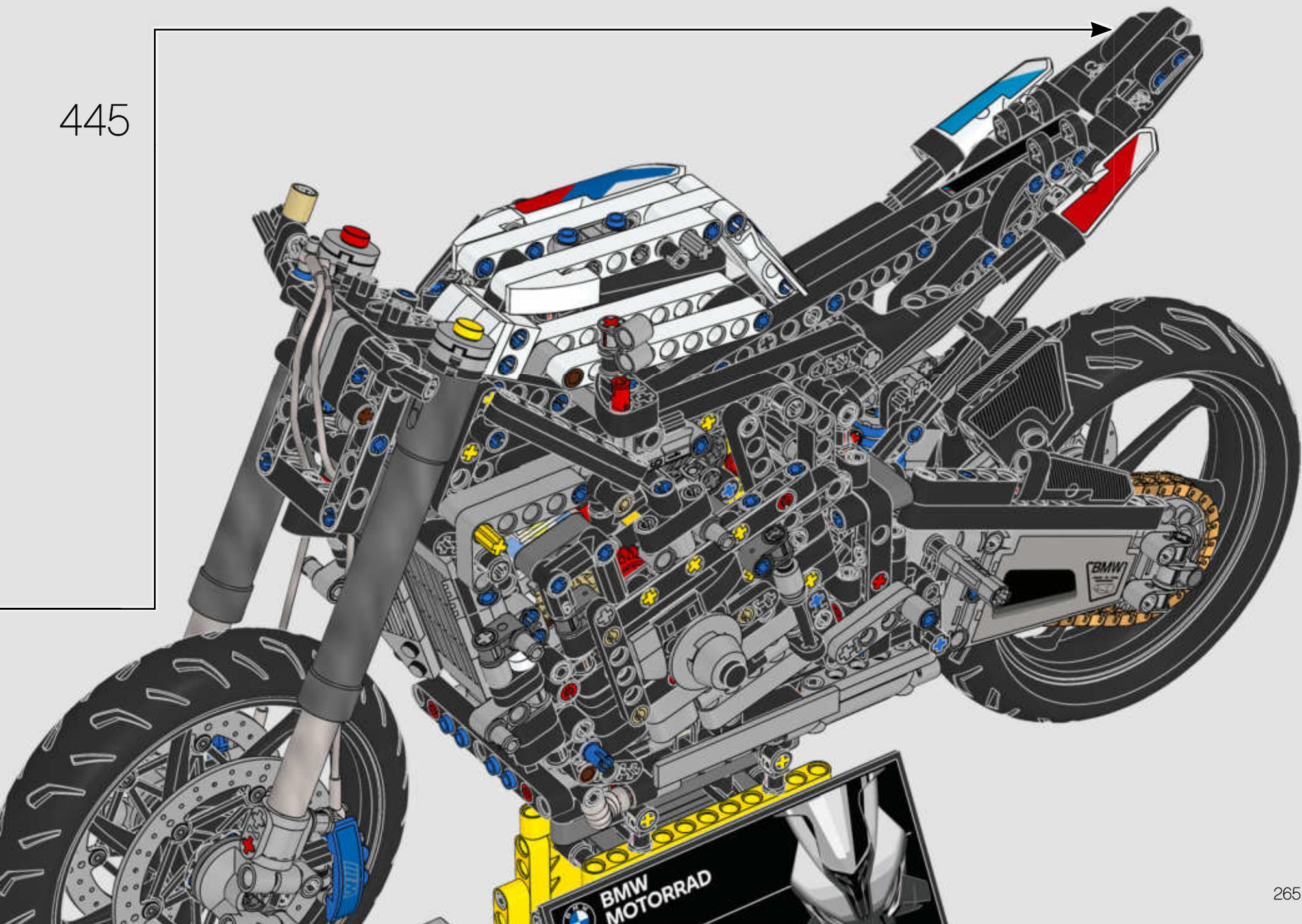
443

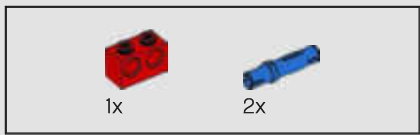


444

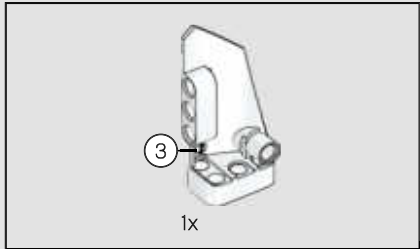


445

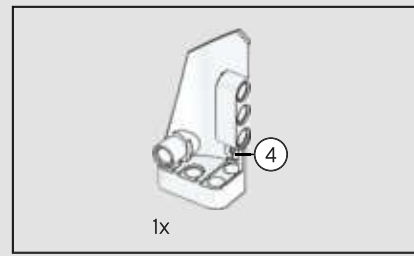
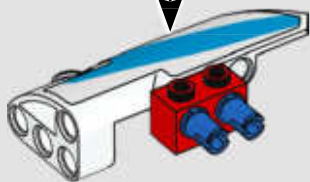
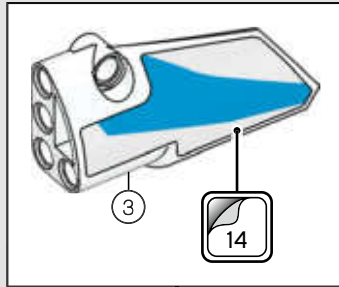




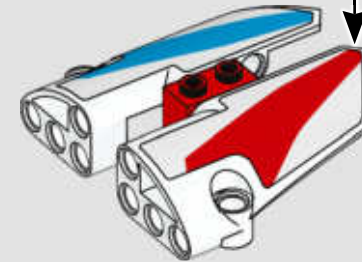
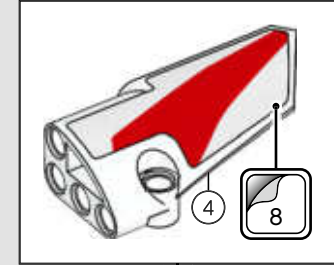
446

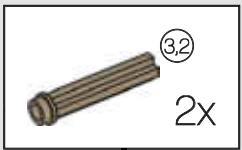
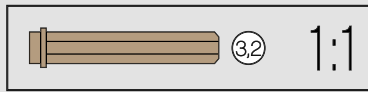
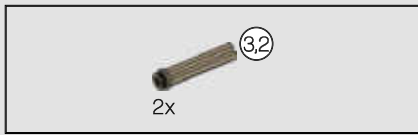


447

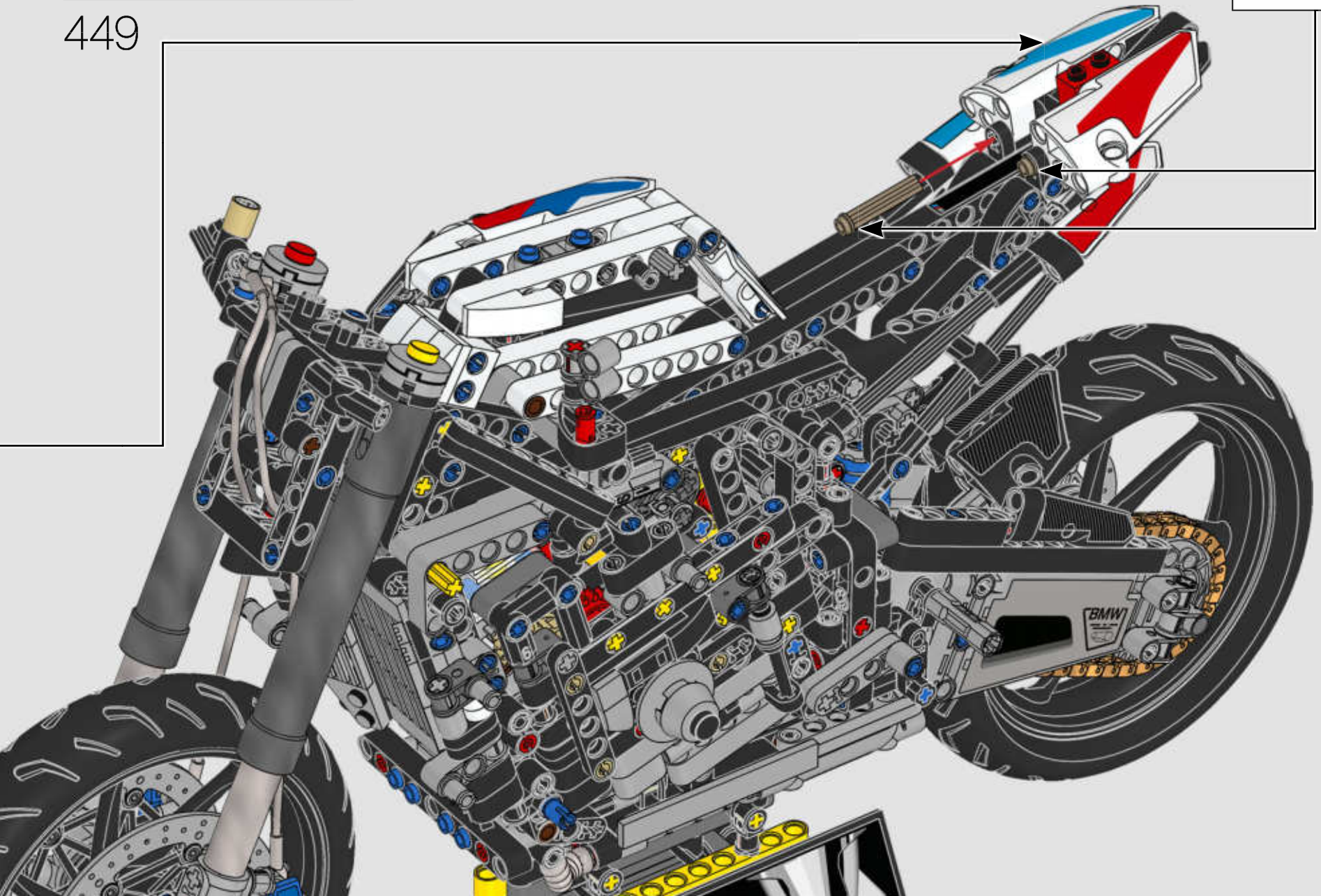


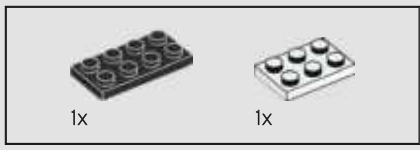
448



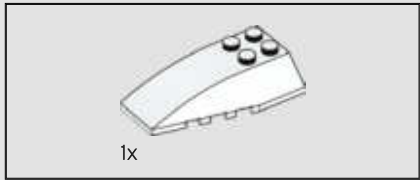


449





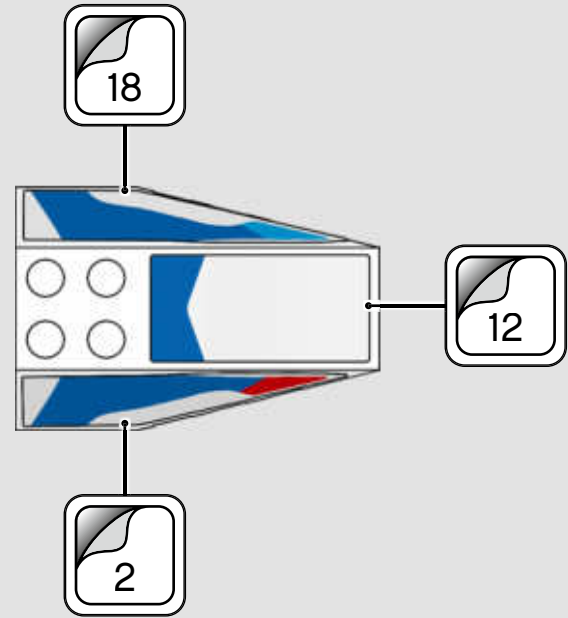
450



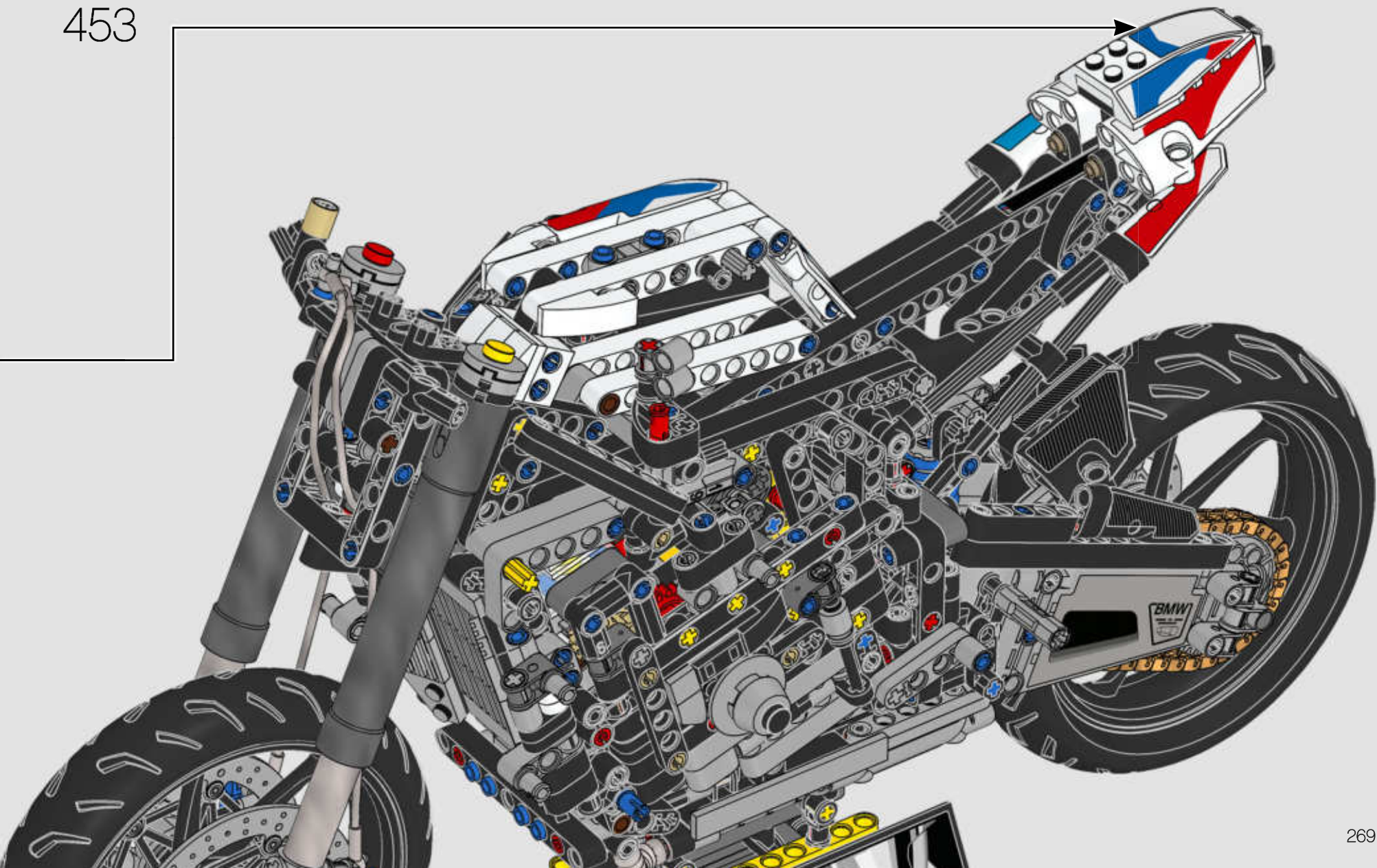
451



452

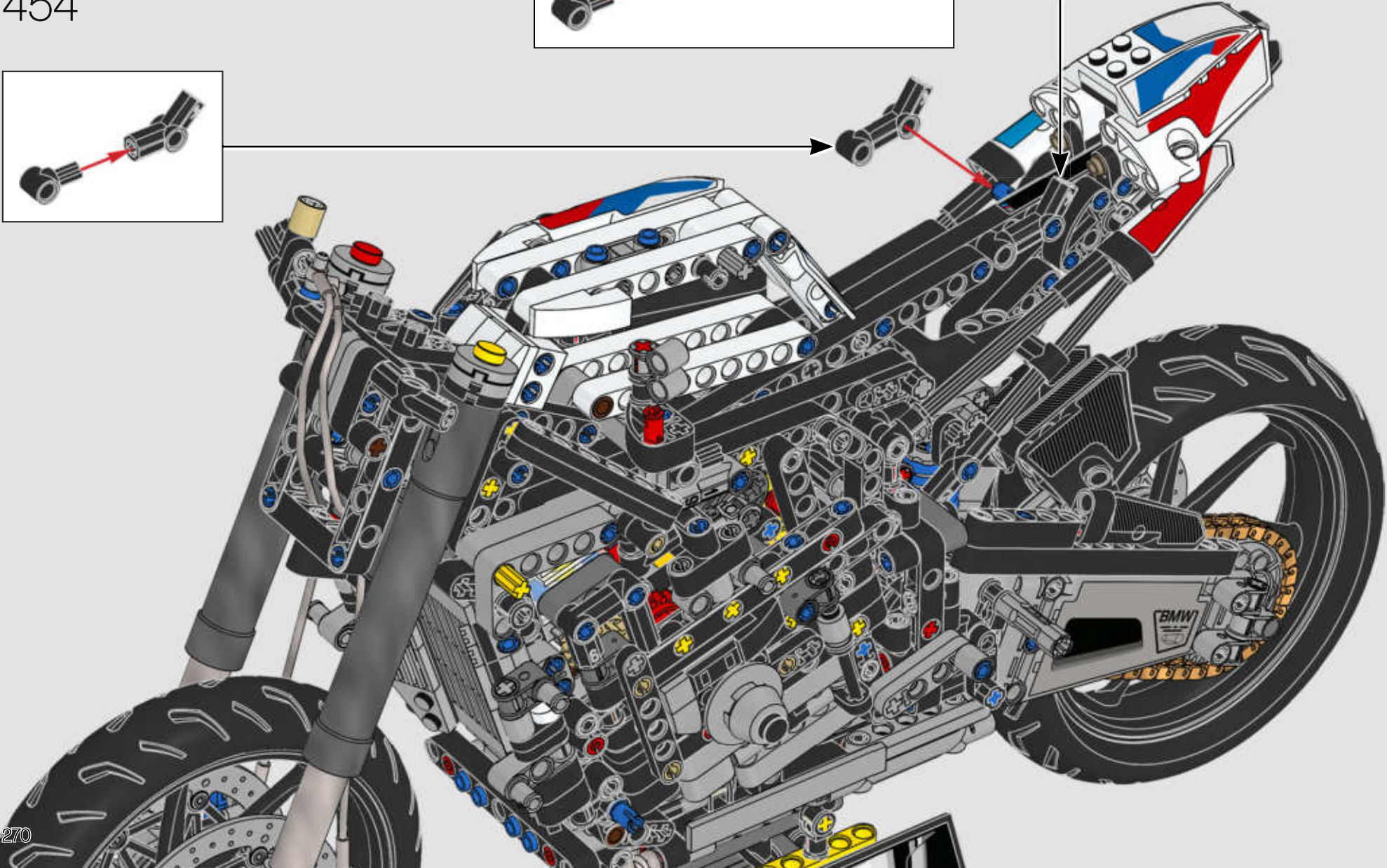
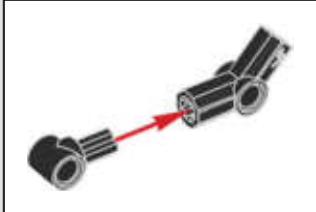
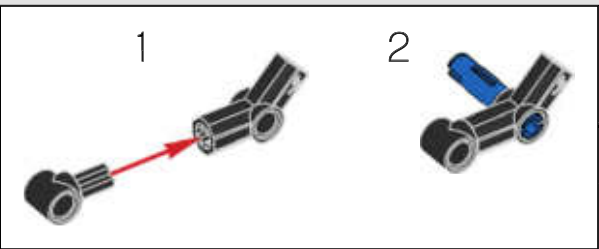


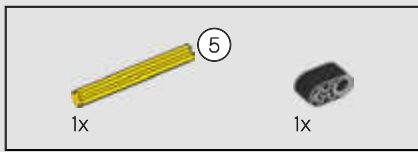
453





454

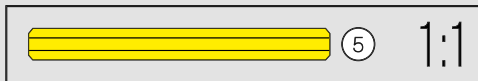
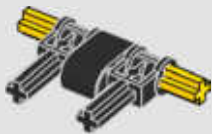




455



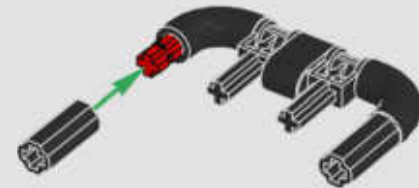
456

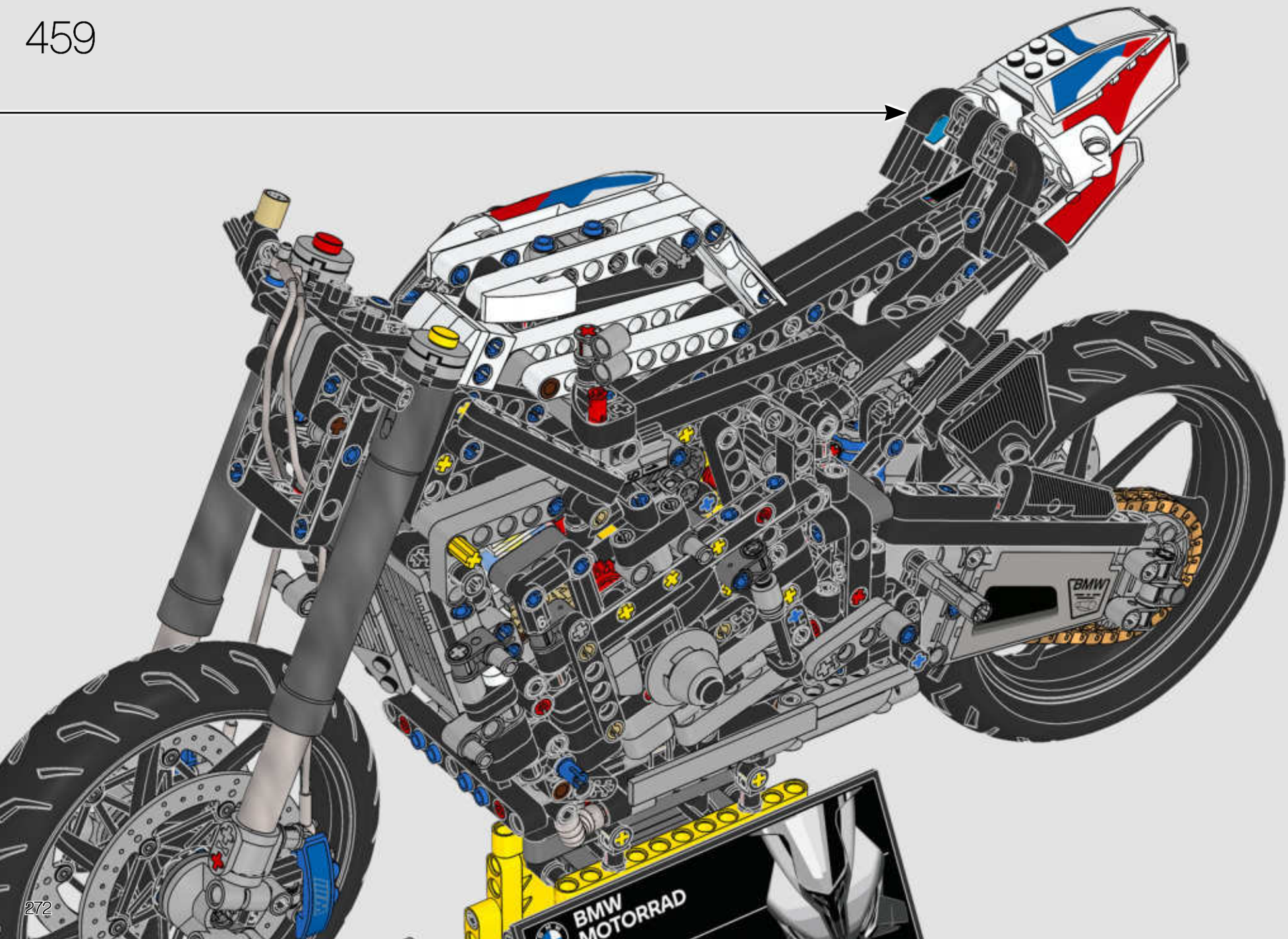


457

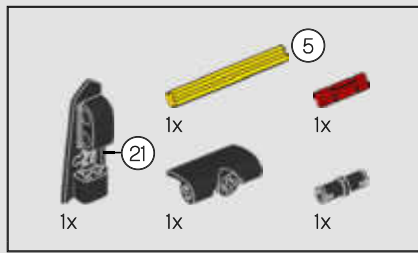


458

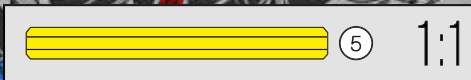
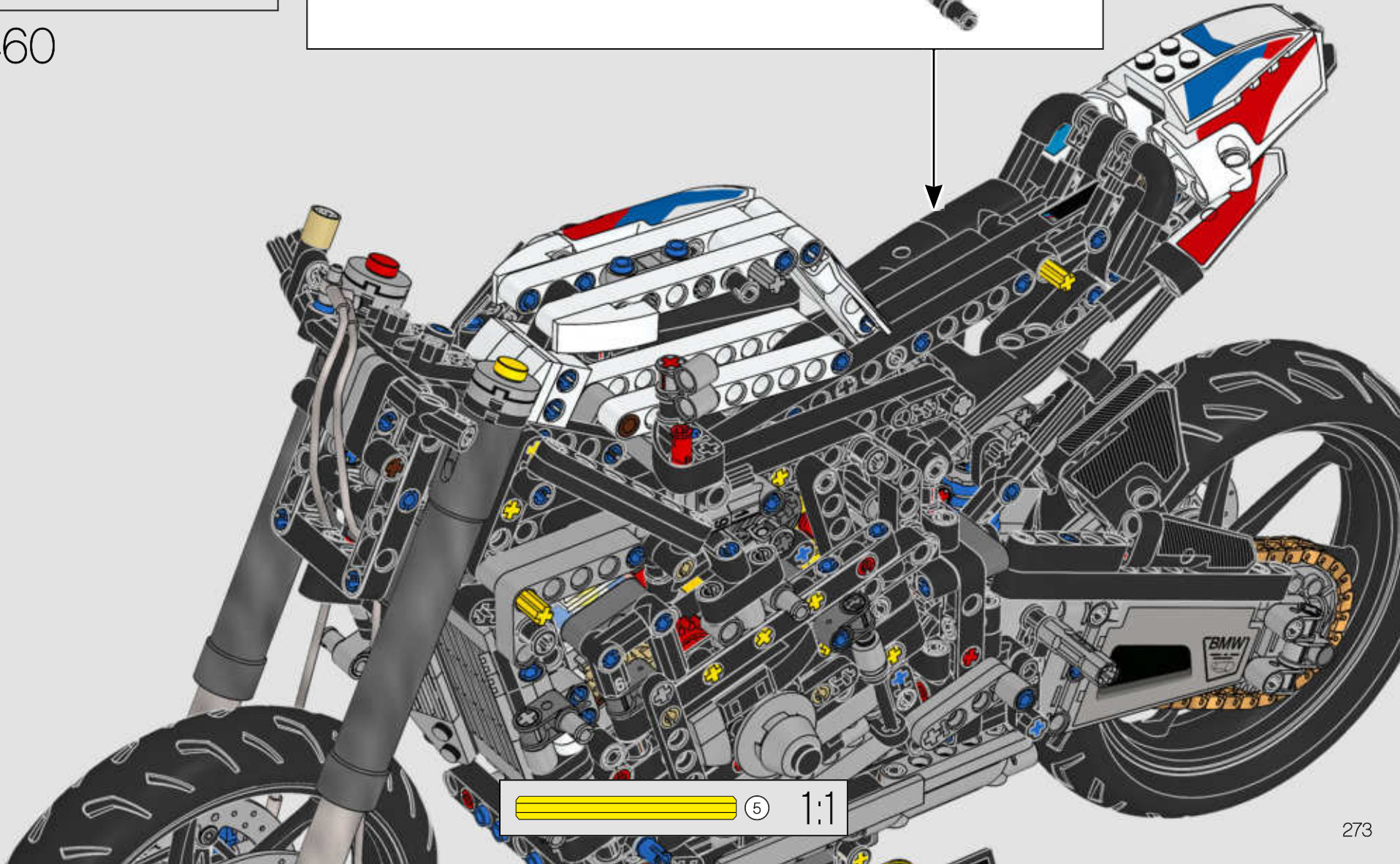
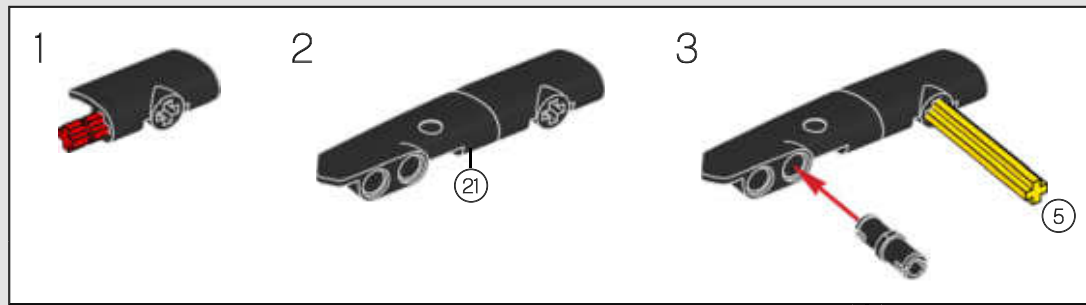


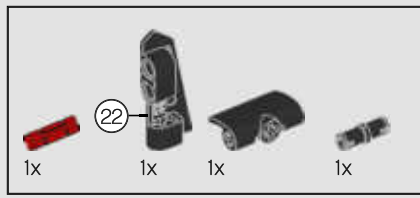


BMW
MOTORRAD

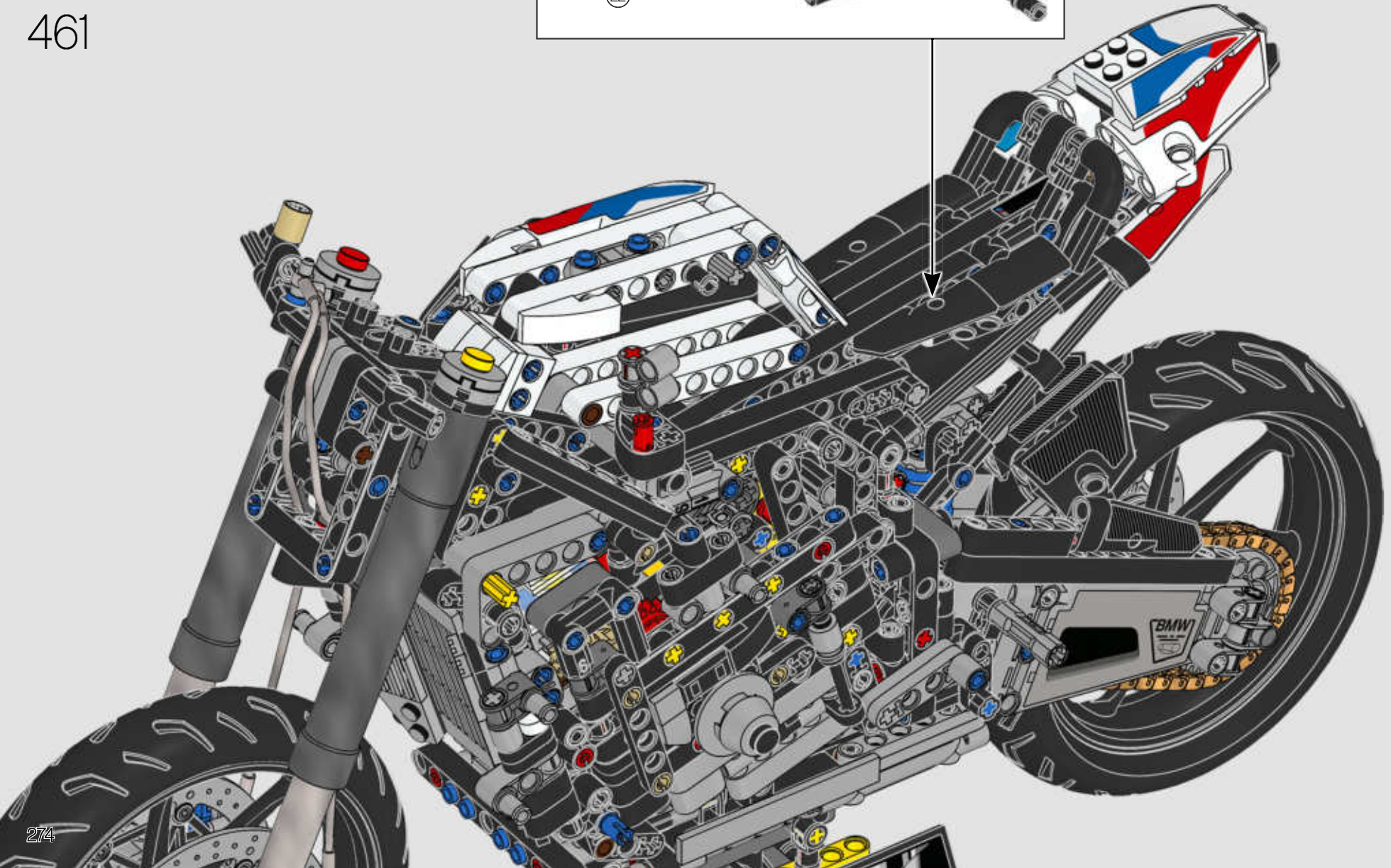
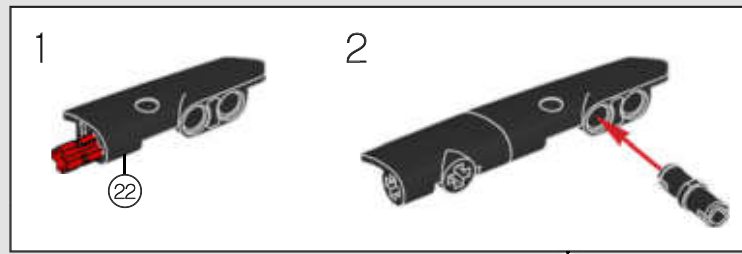


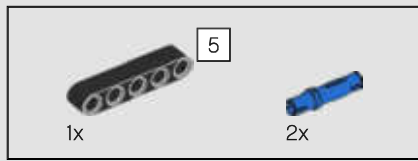
460



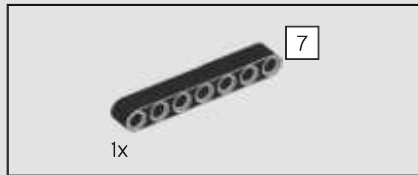


461

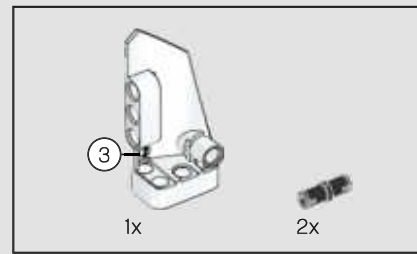
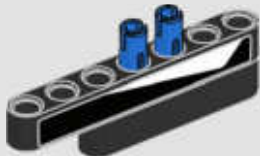
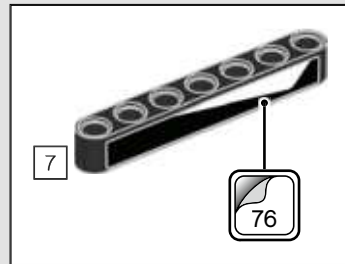




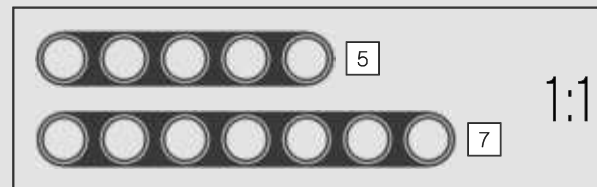
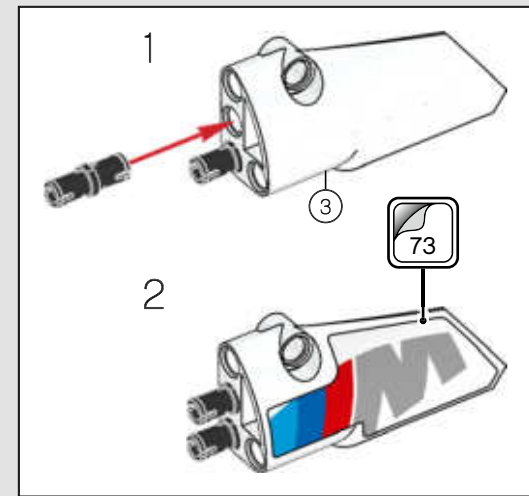
462

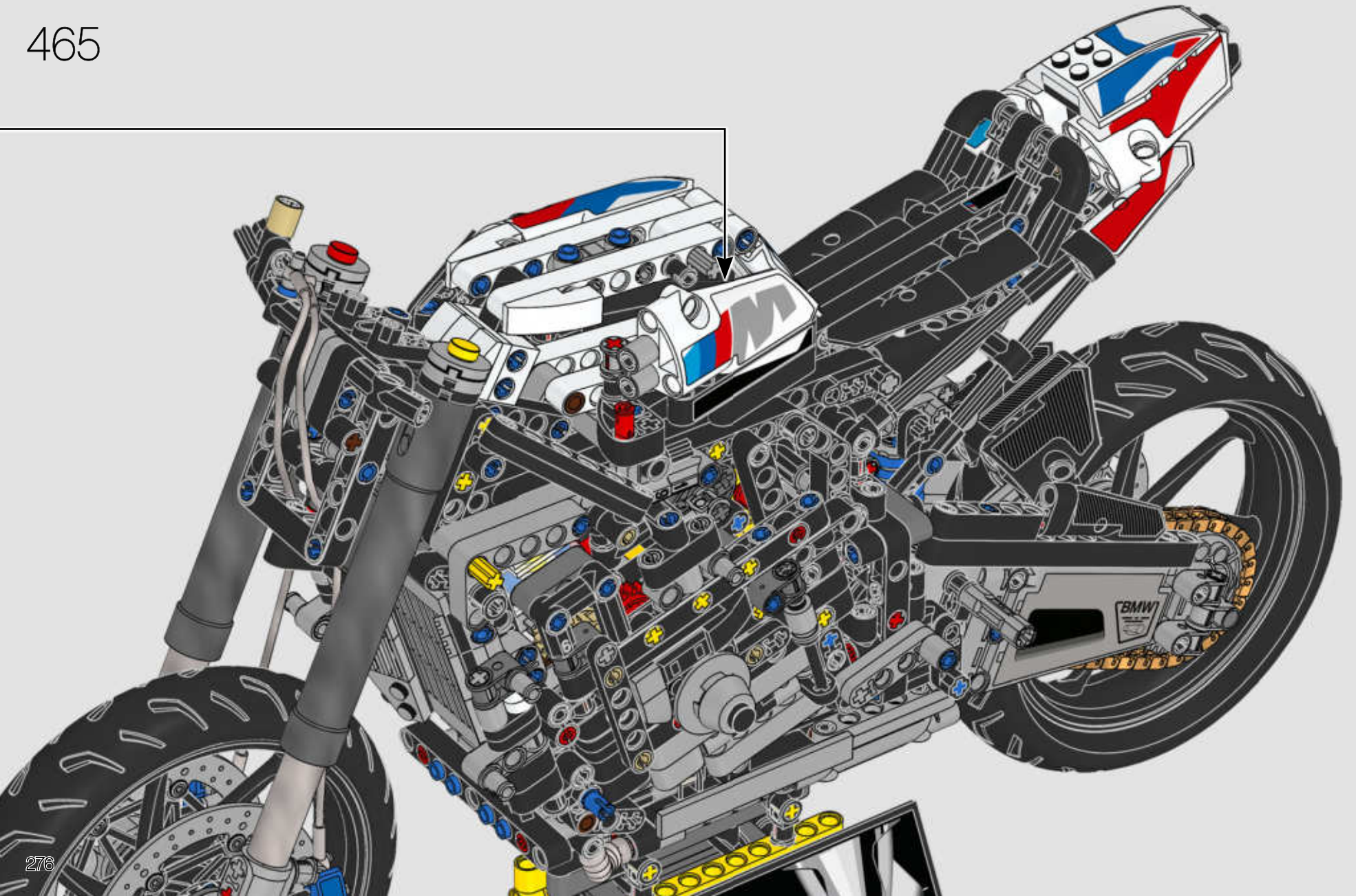


463



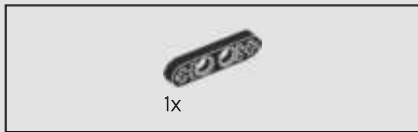
464







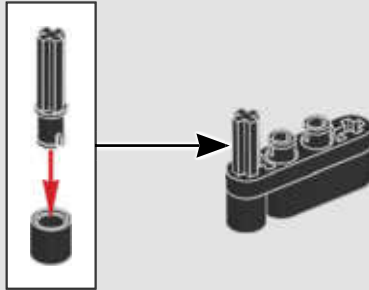
466



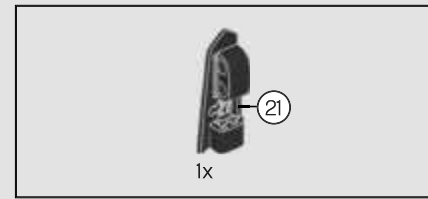
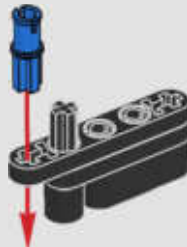
467



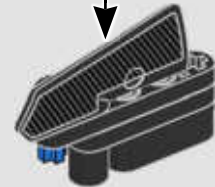
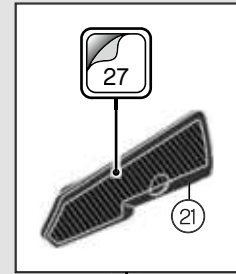
468

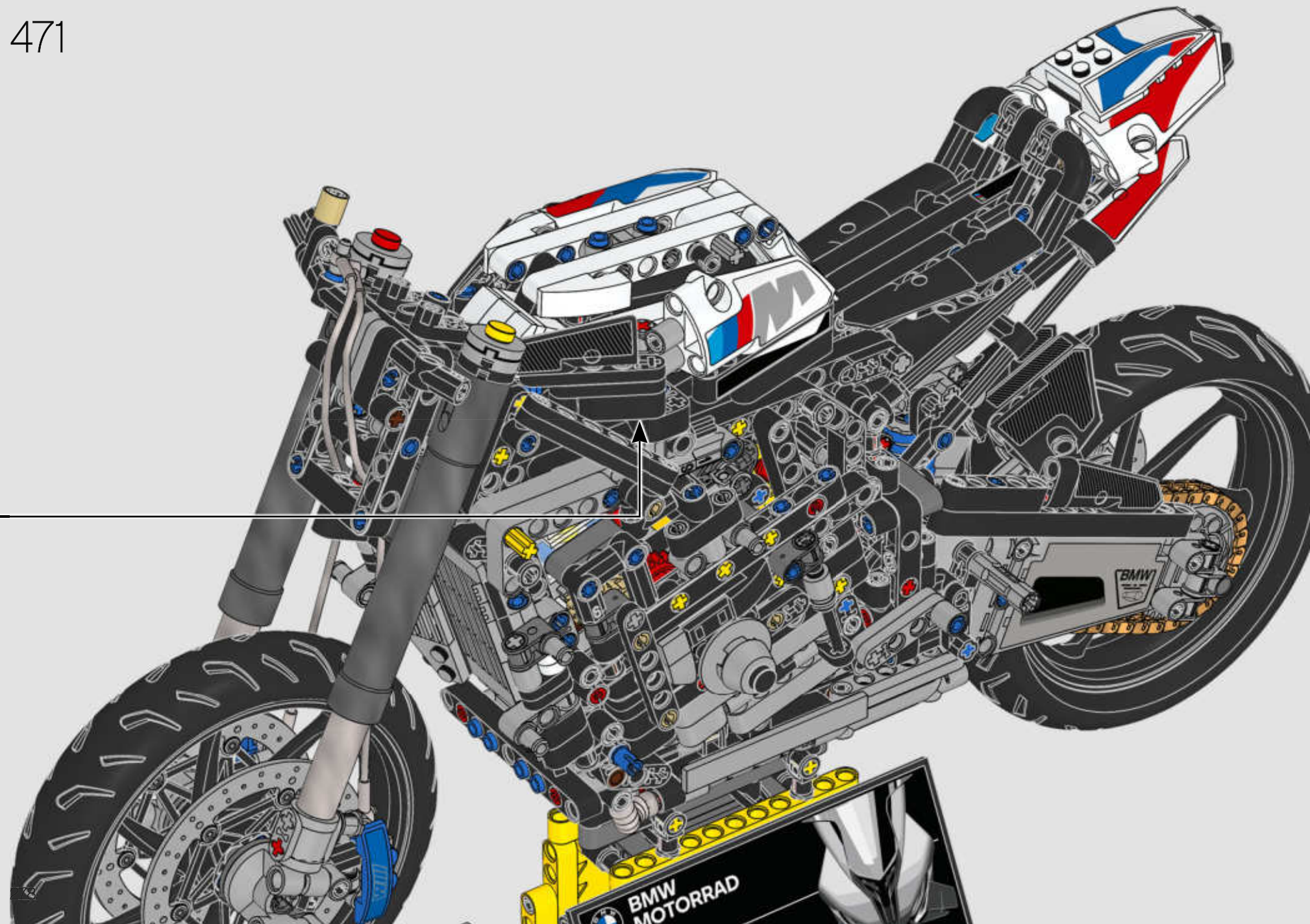


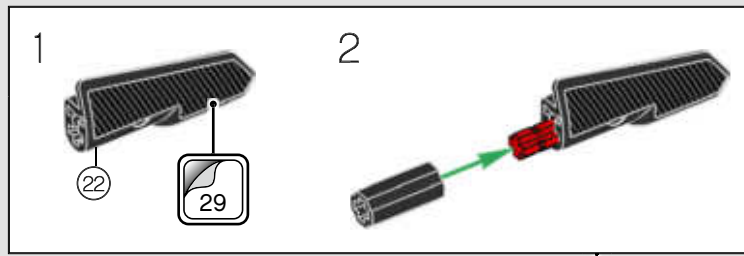
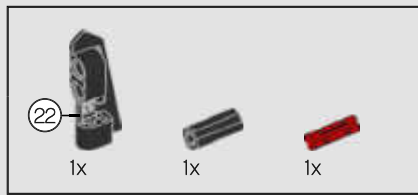
469



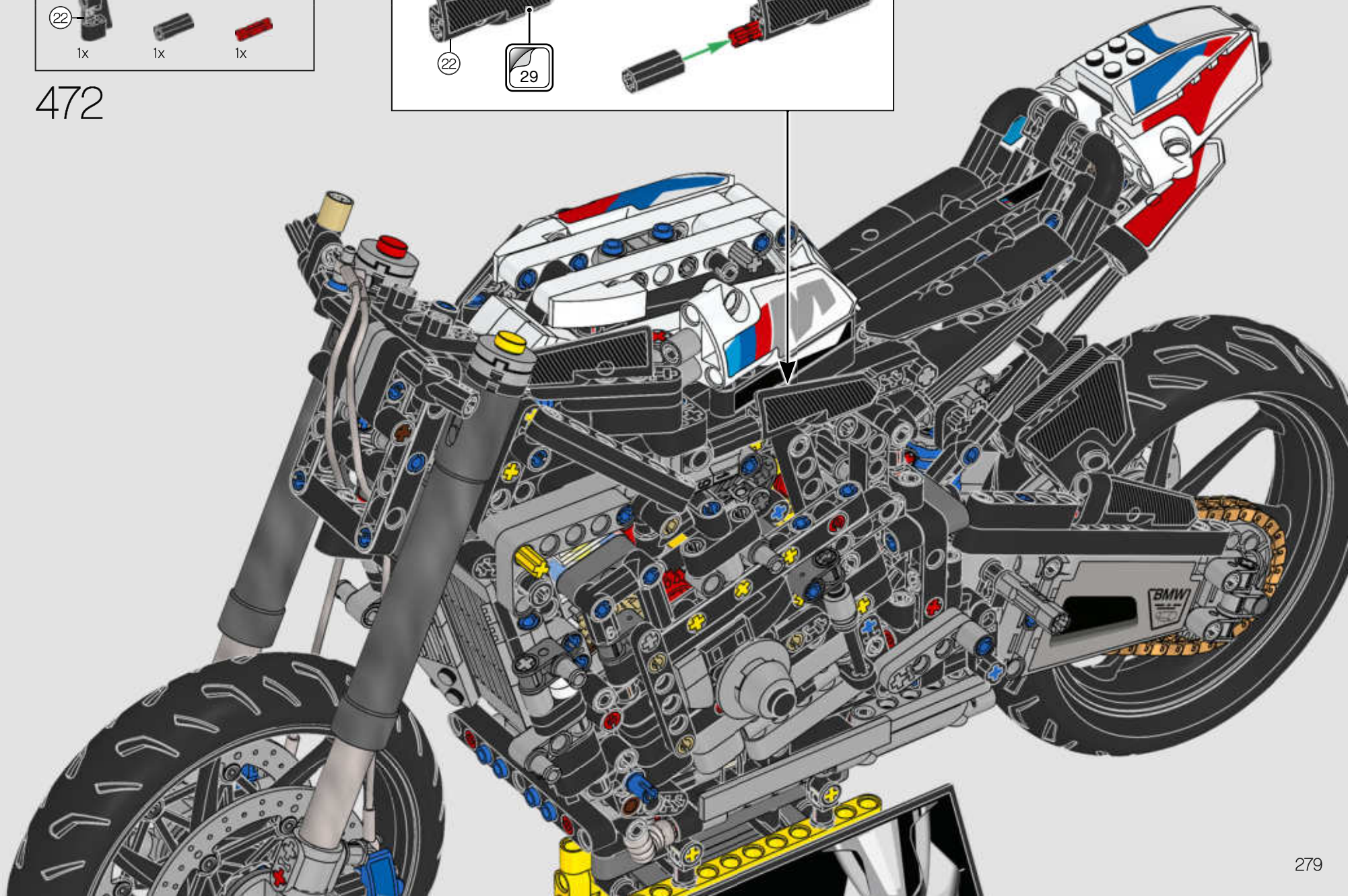
470

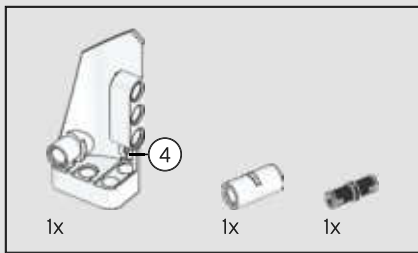




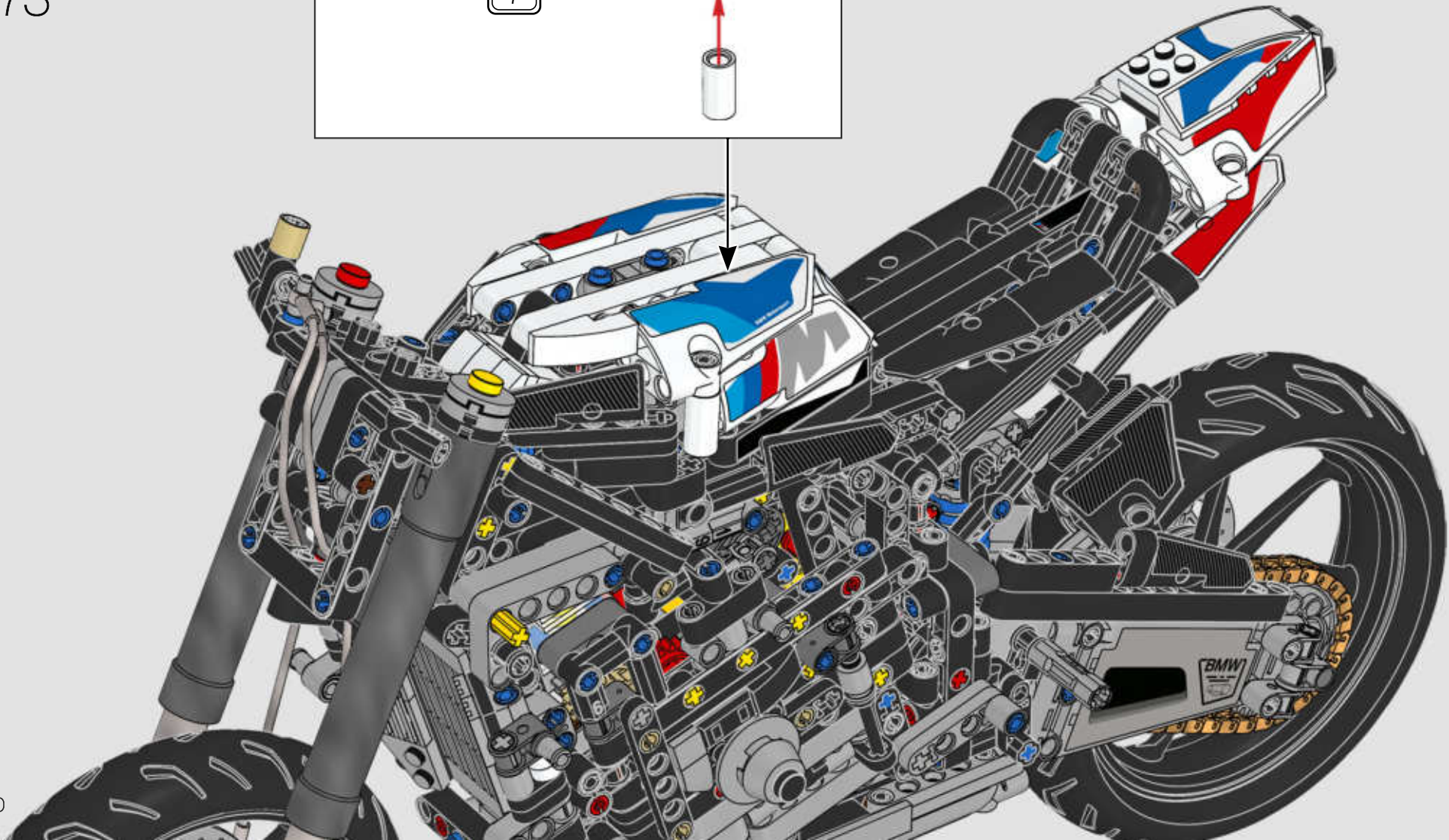
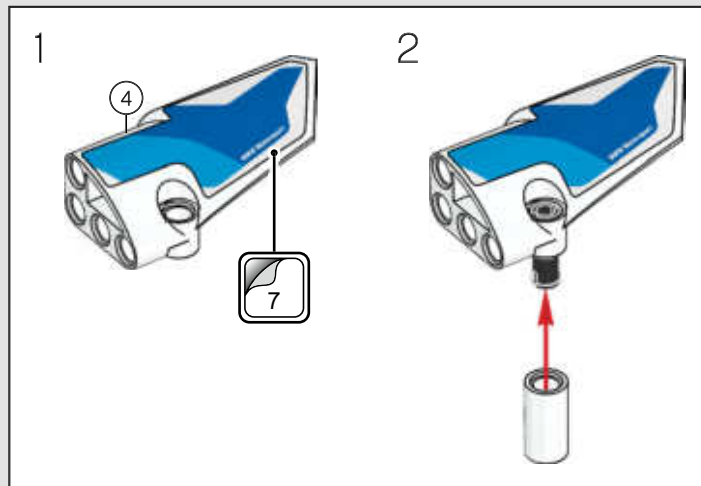


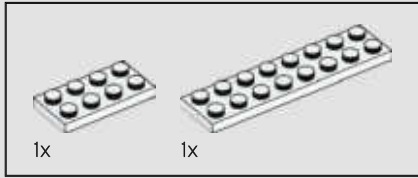
472





473

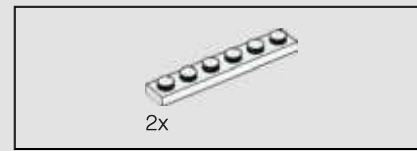
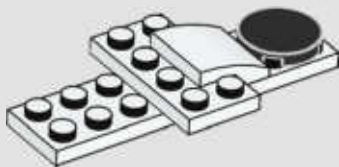




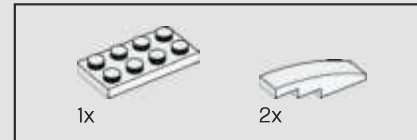
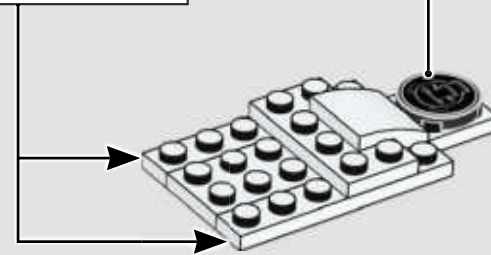
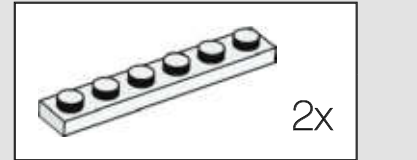
474



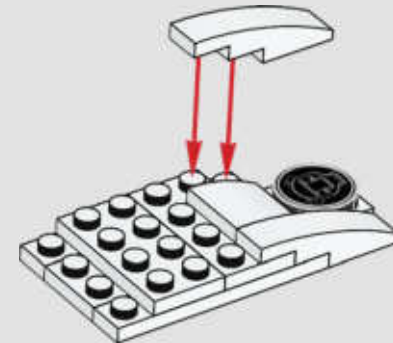
475

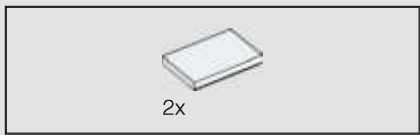


476

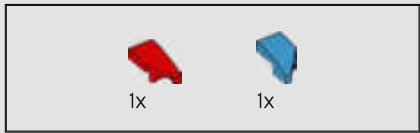
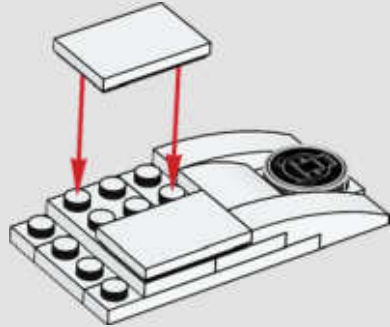


477

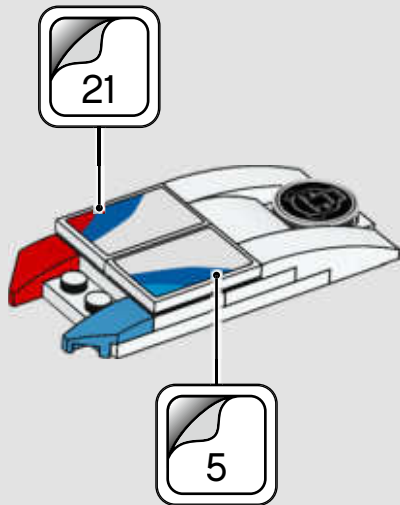




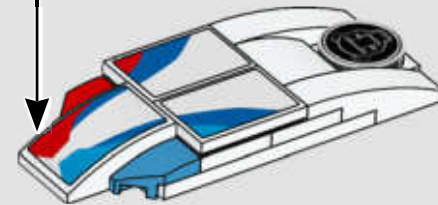
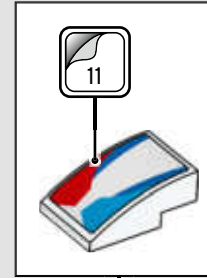
478



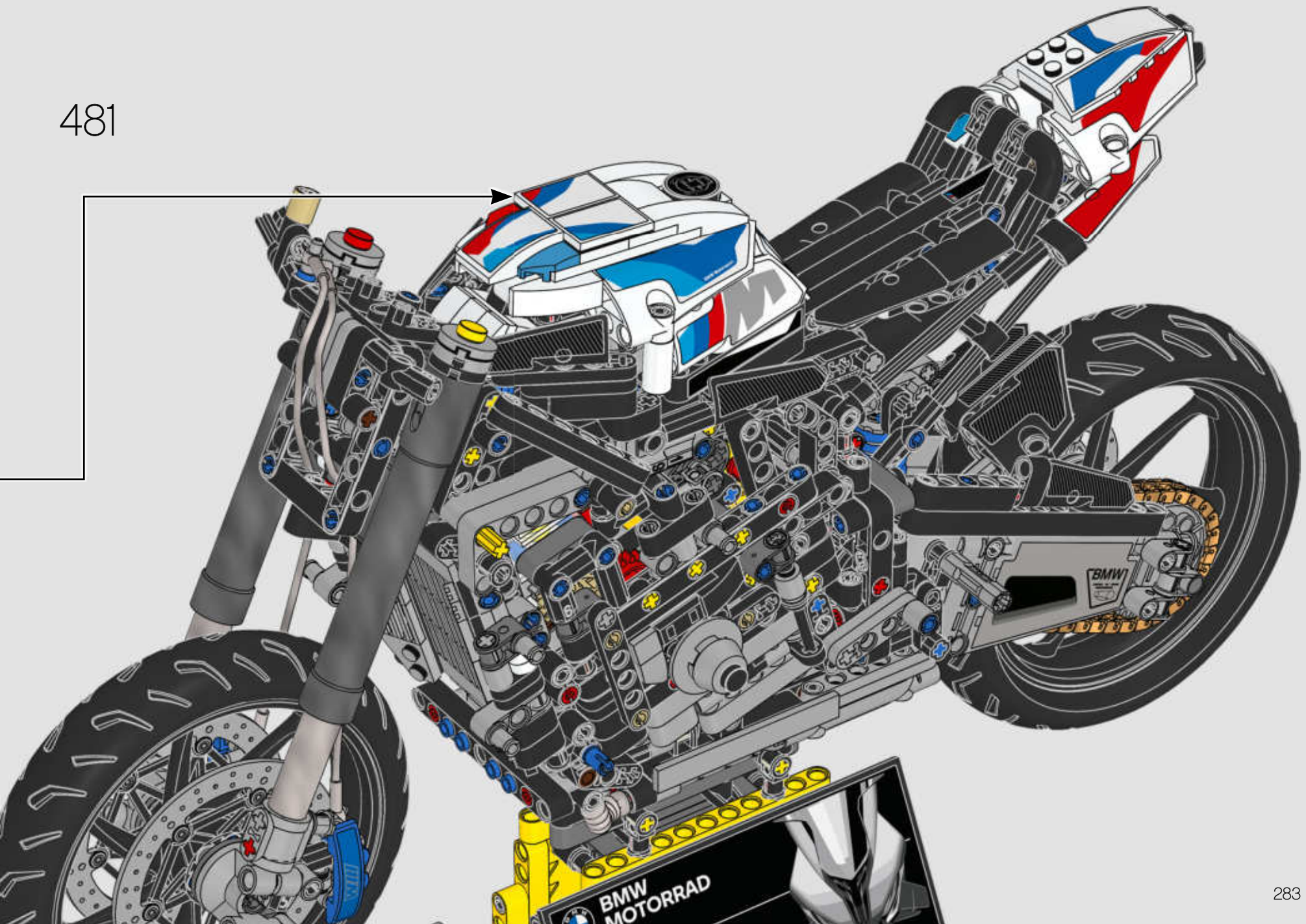
479

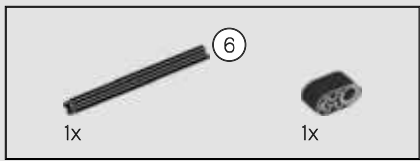


480



481

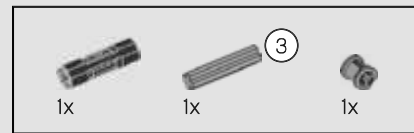




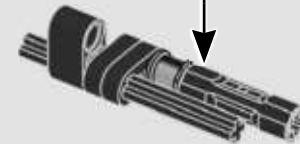
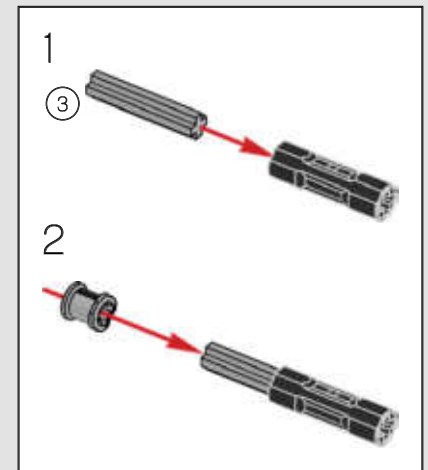
482



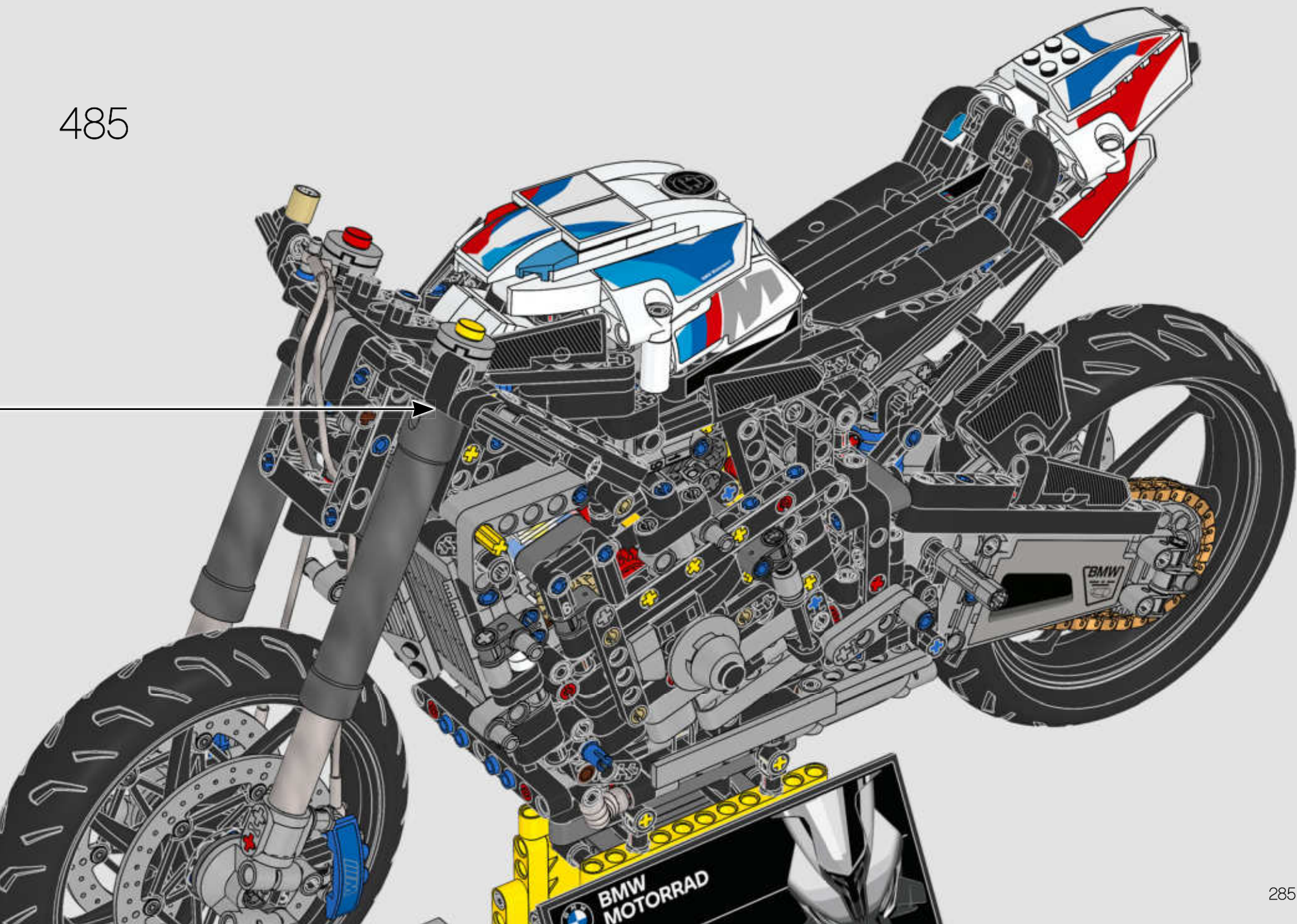
483

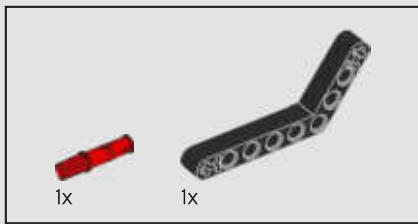


484

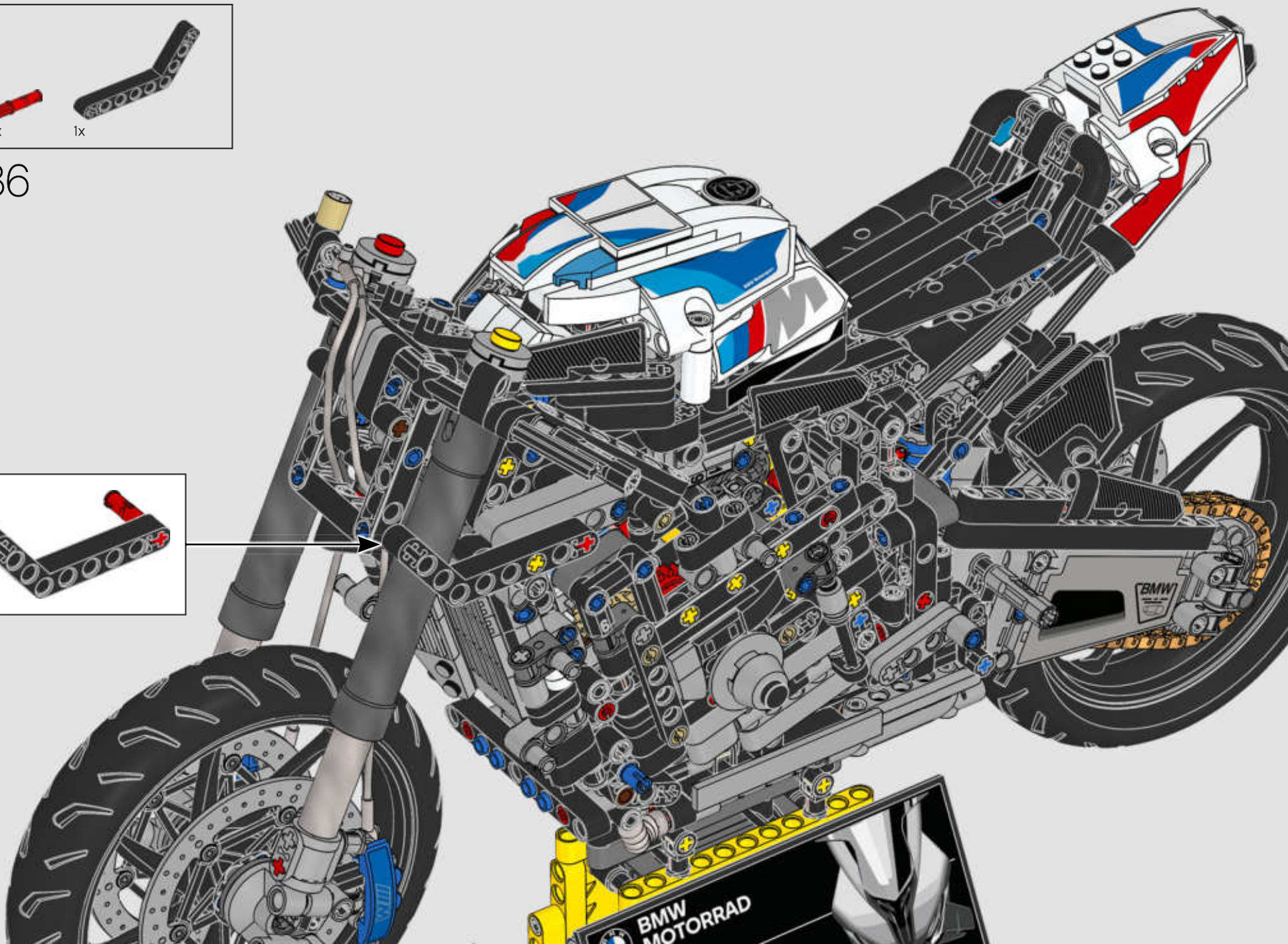


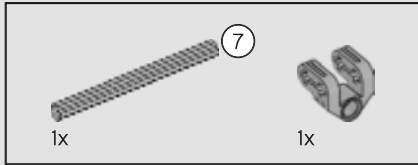
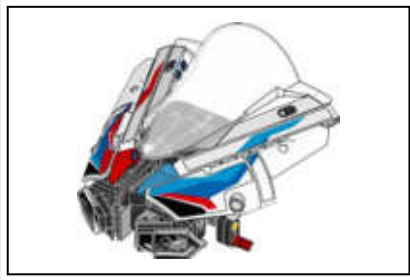
485



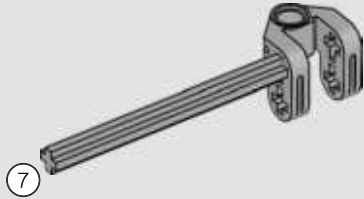


486

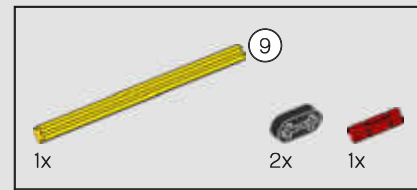
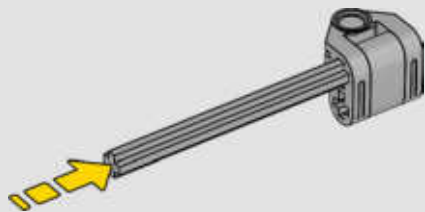




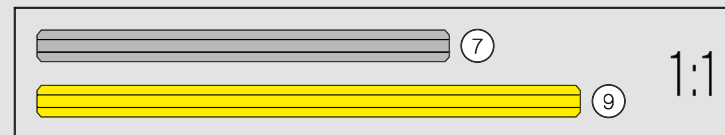
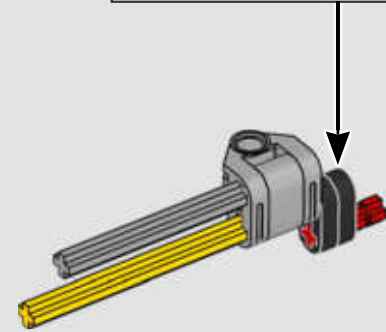
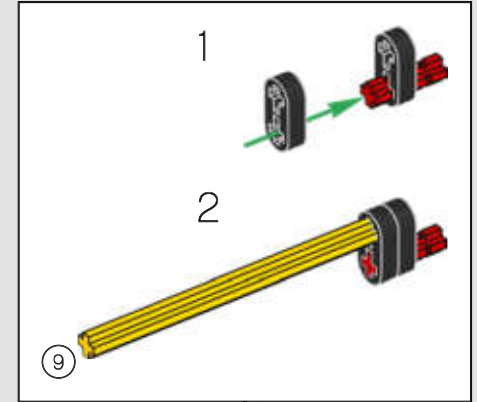
487

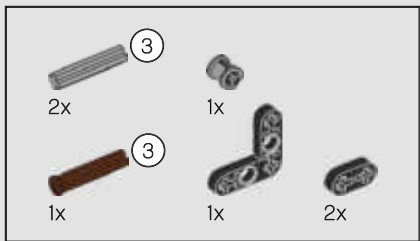


488

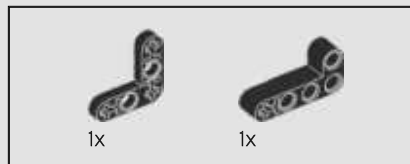
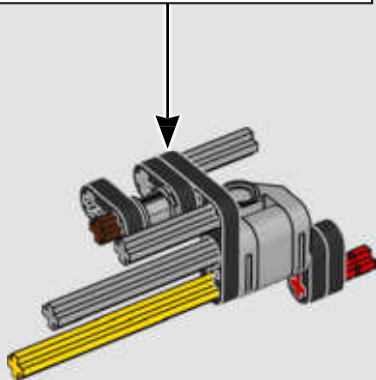
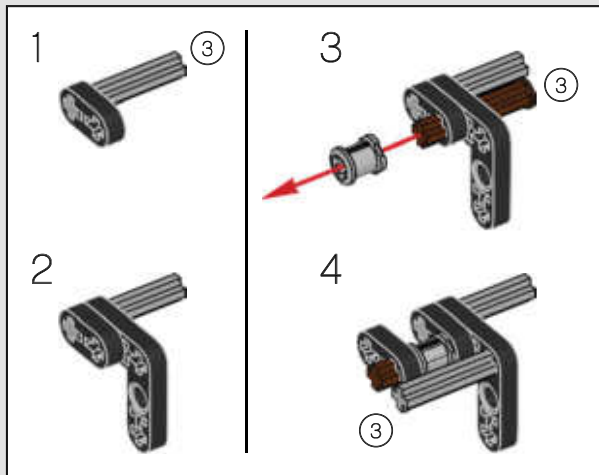


489

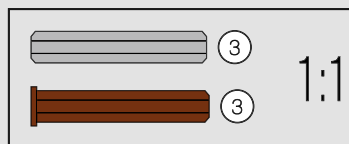
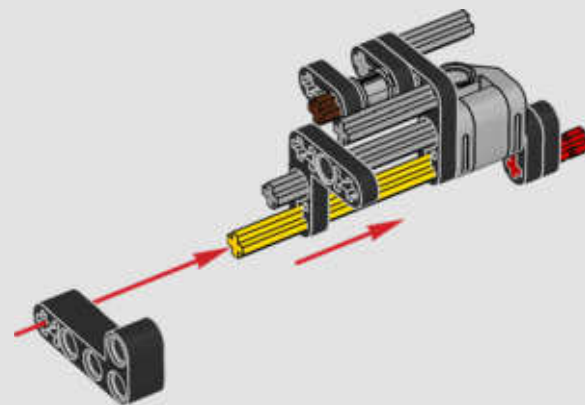


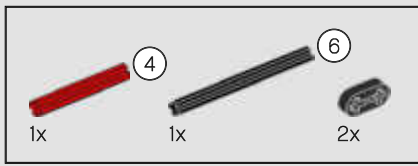


490

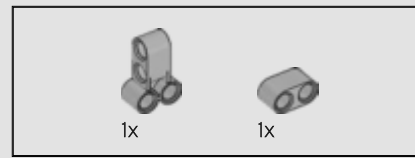
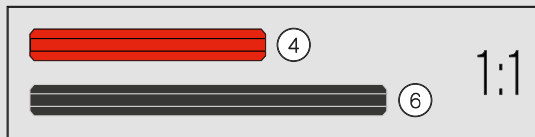
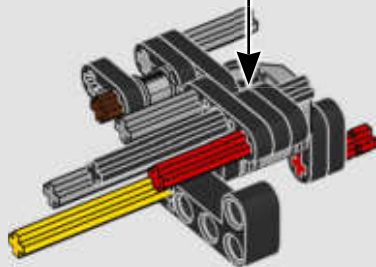
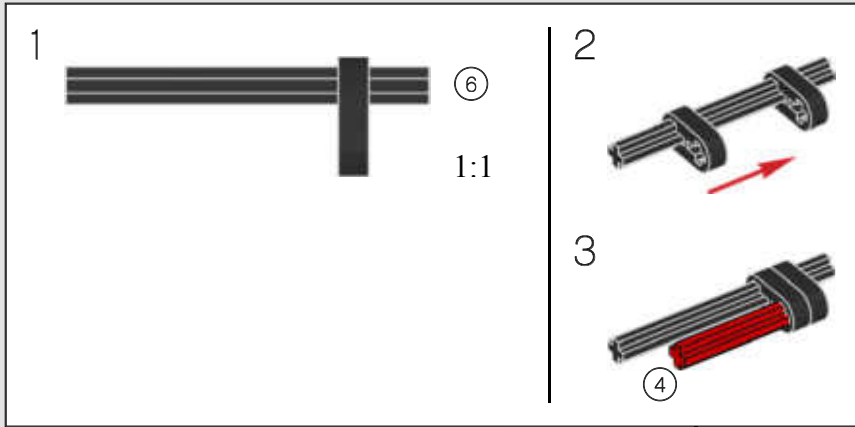


491

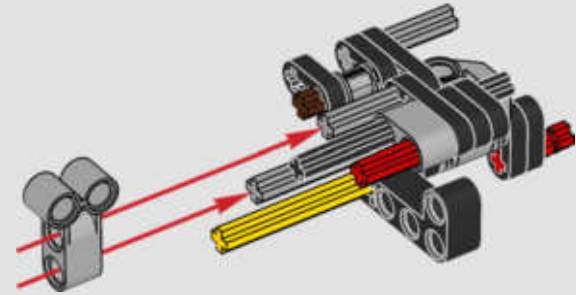




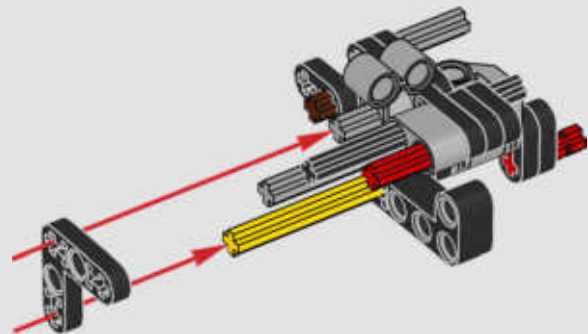
492

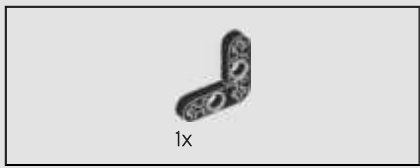


493

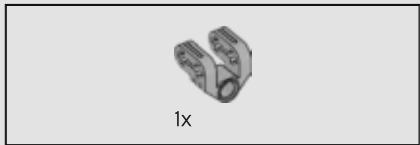
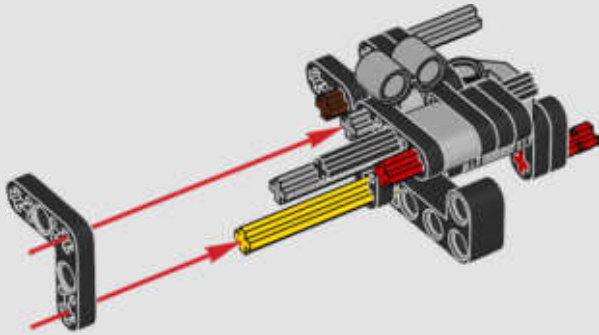


494

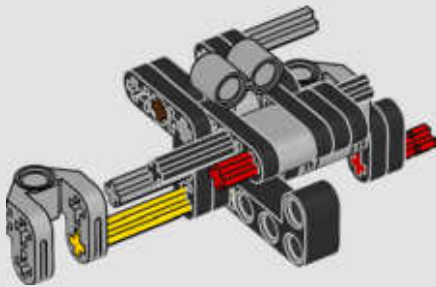




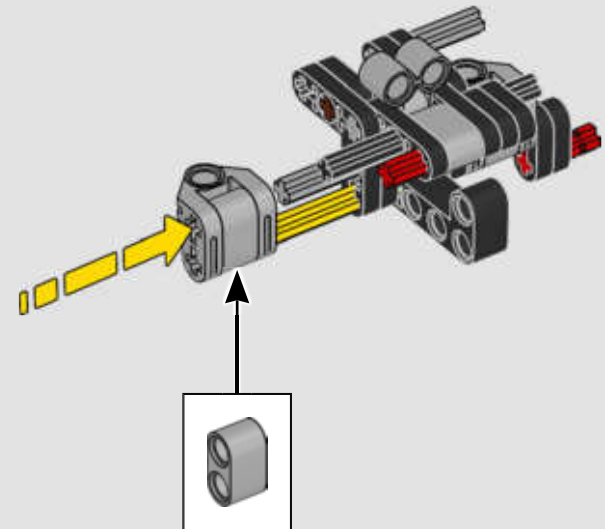
495

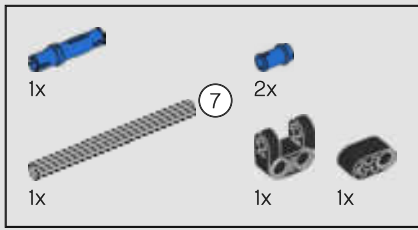


496

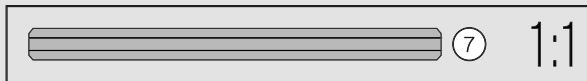
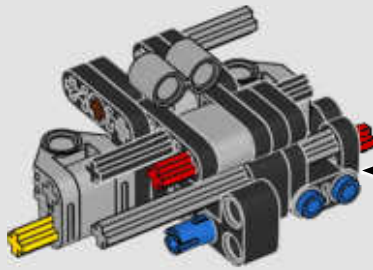
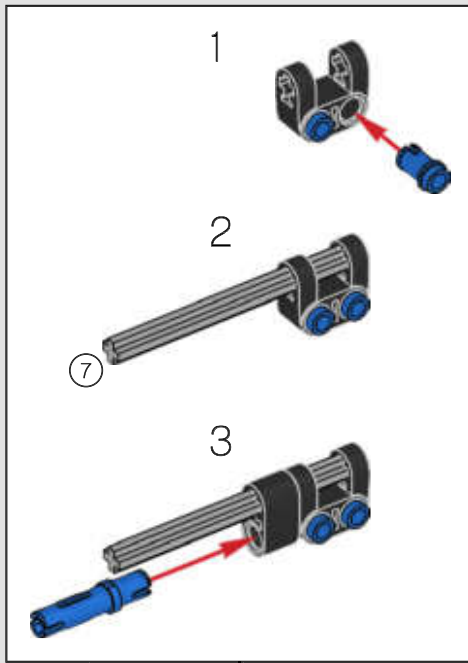


497

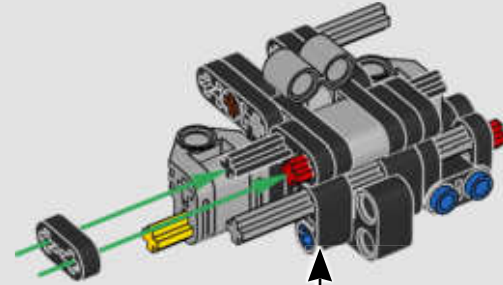




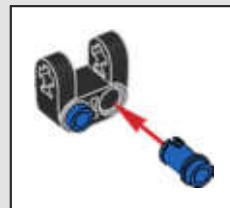
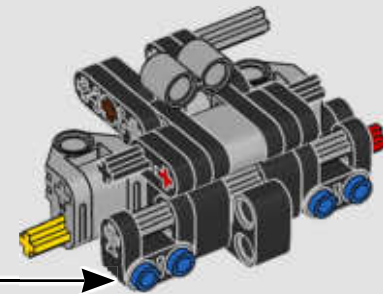
498



499

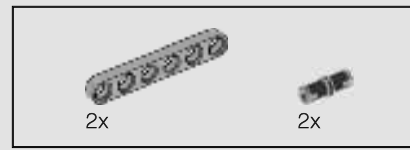
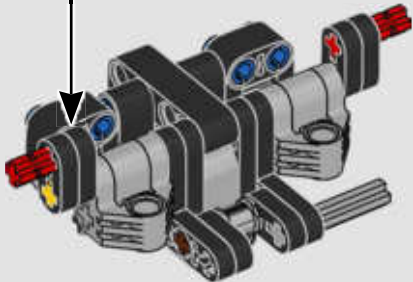
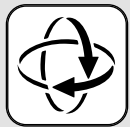
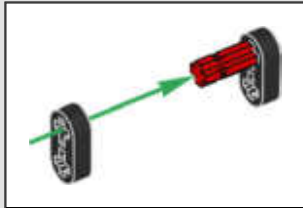


500

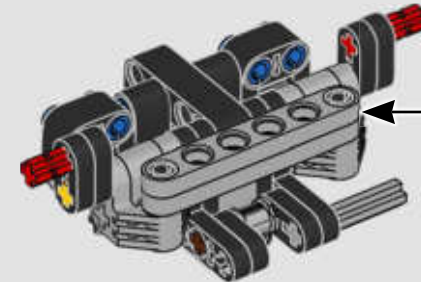
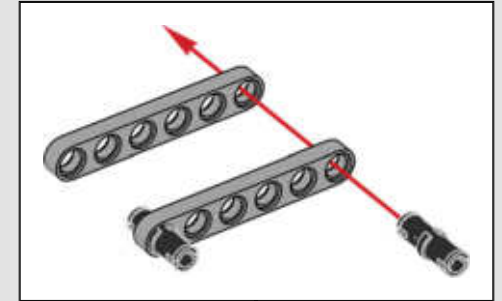


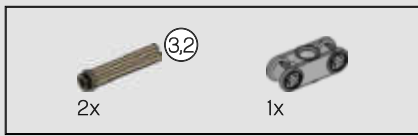


501

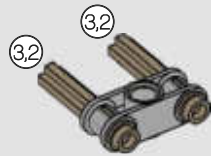
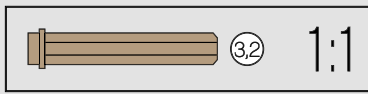


502

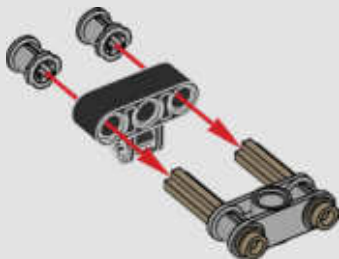




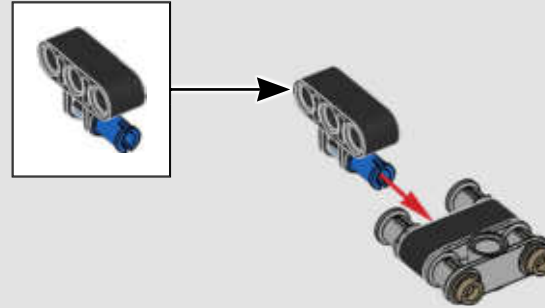
503



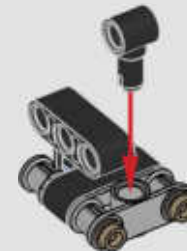
504



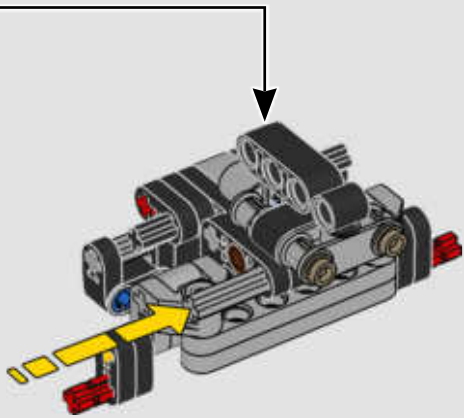
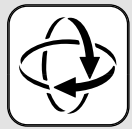
505



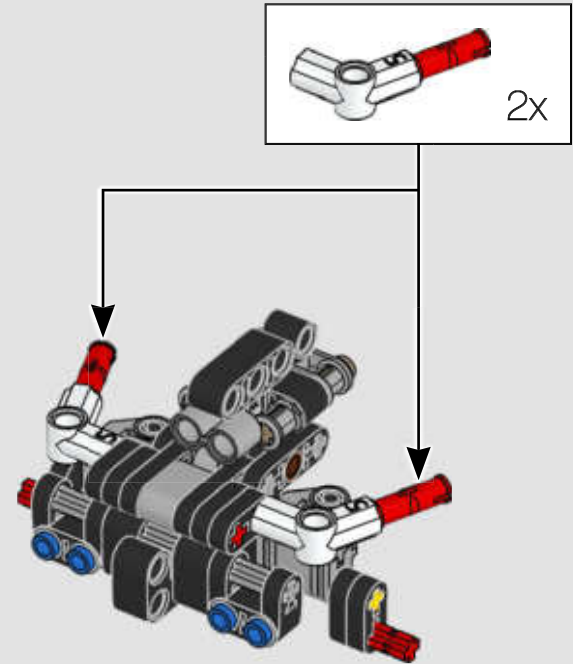
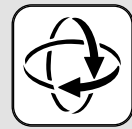
506



507



508

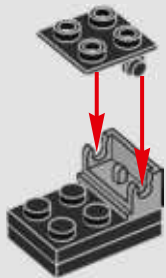




509



510



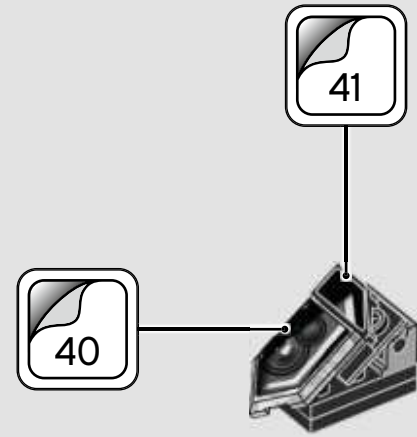
511



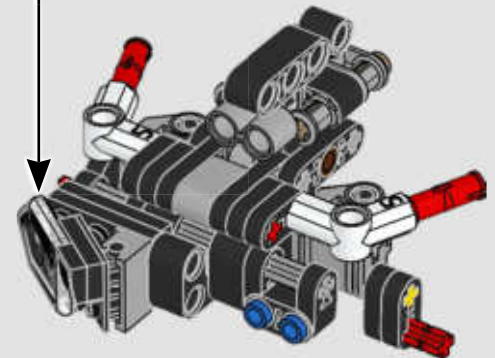
512



513



514

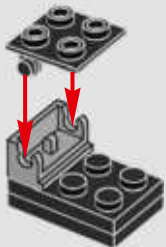




515



516



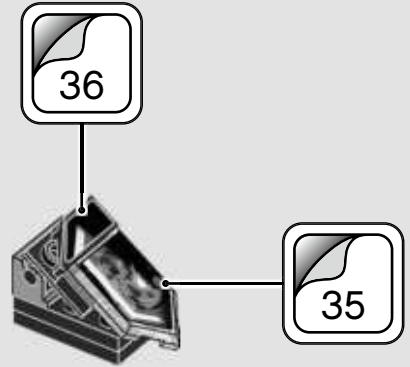
517



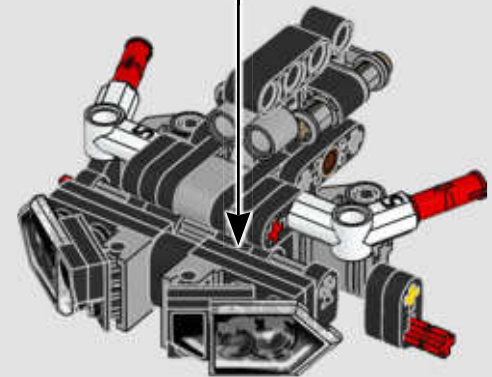
518

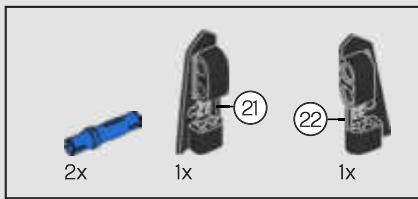


519

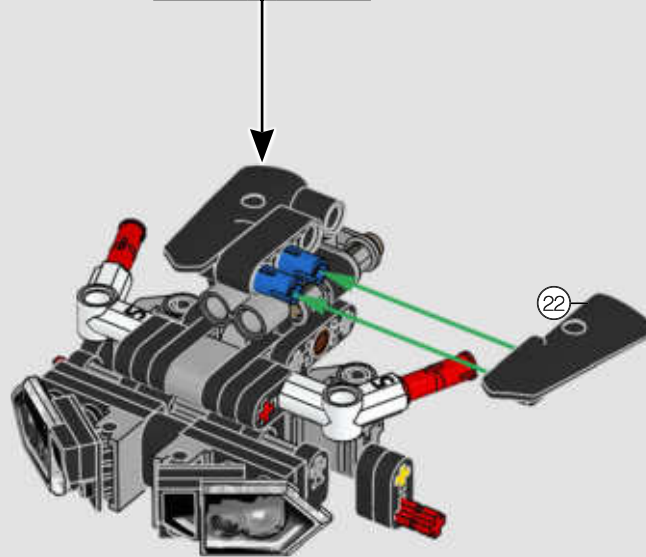
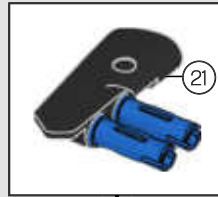


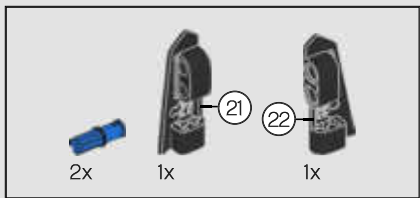
520



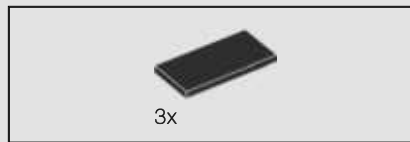
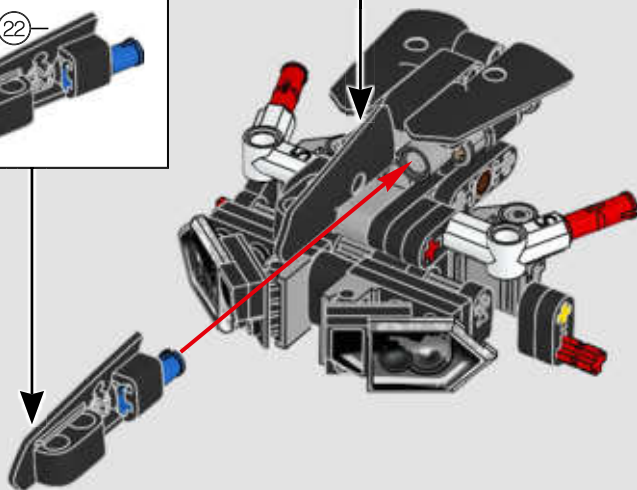
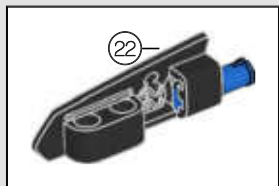
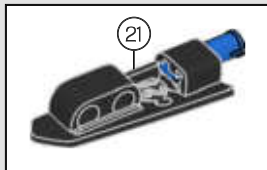


521

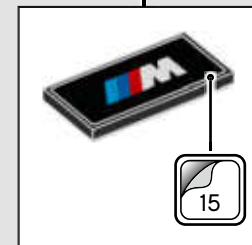
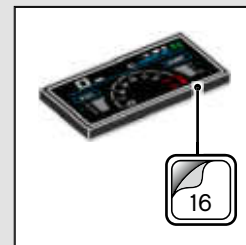
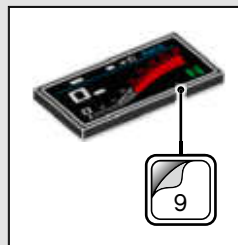
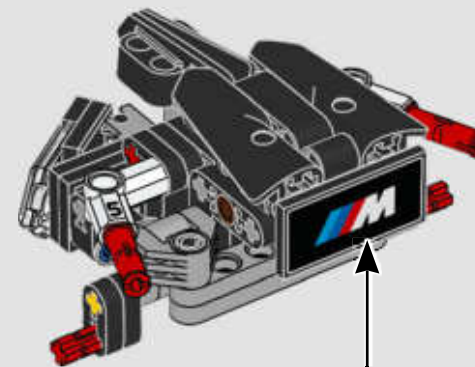
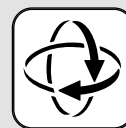




522

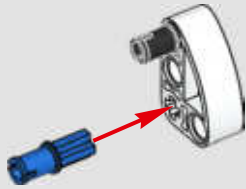


523

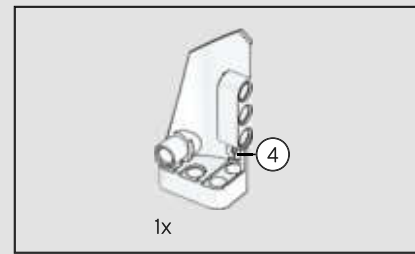
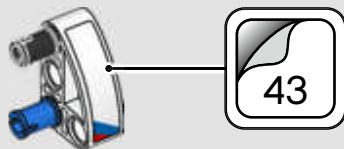




524



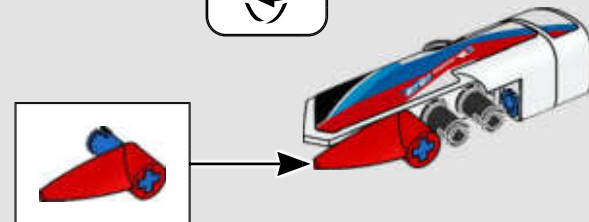
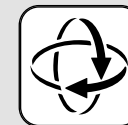
525

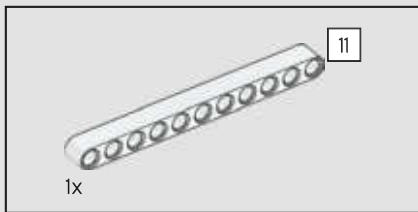


526

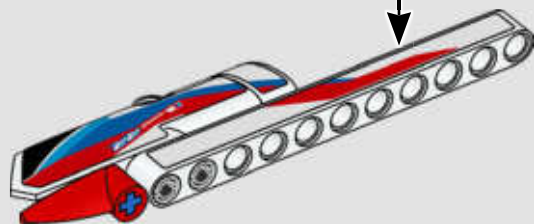
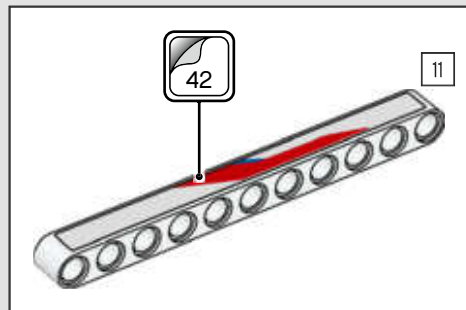


527

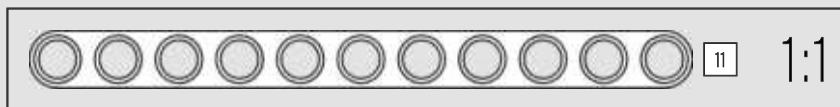
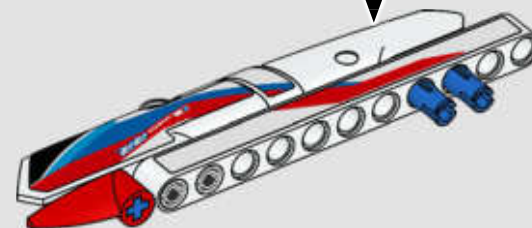




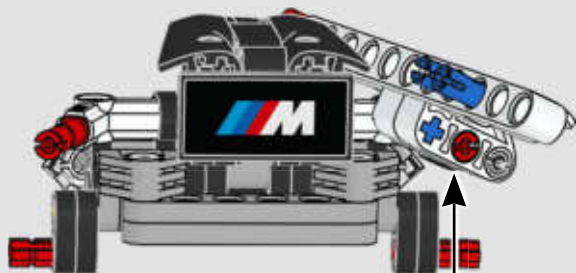
528



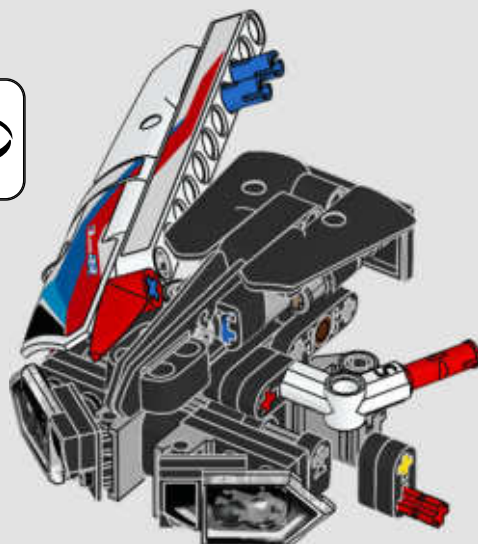
529



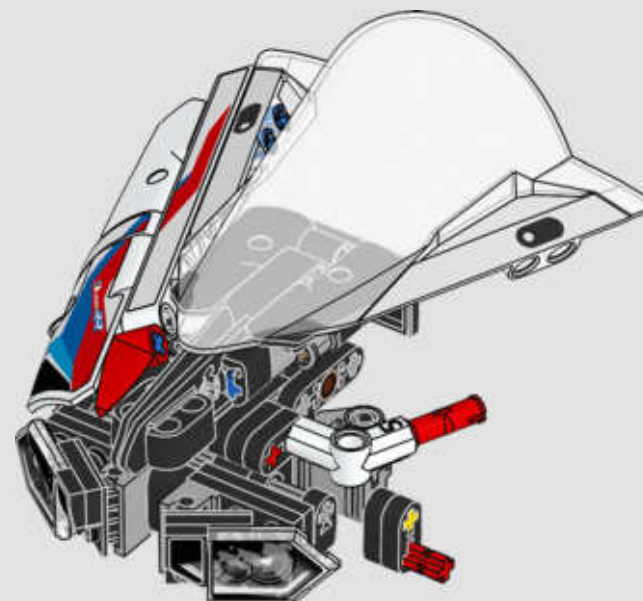
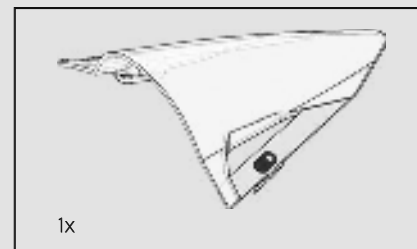
530

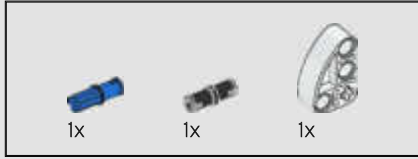


531



532

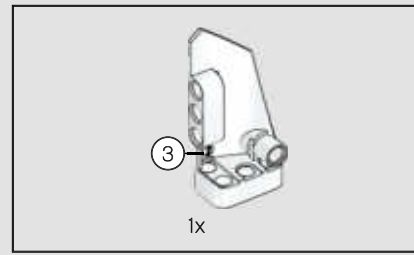
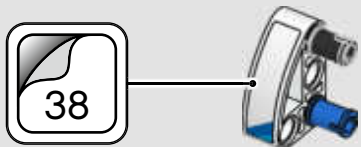




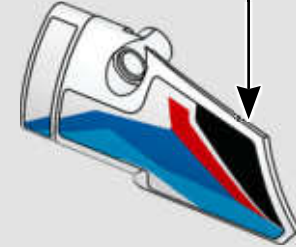
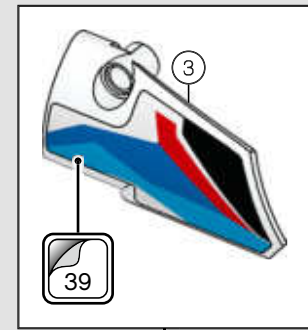
533



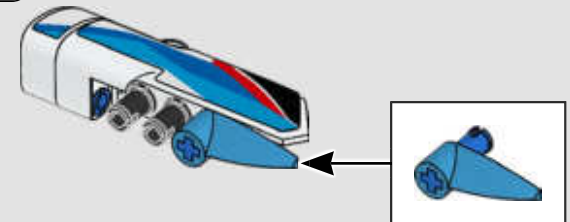
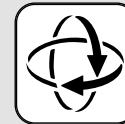
534

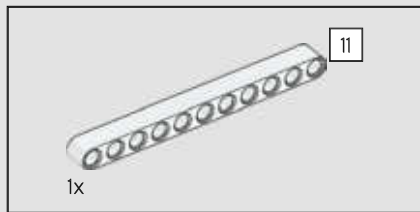


535

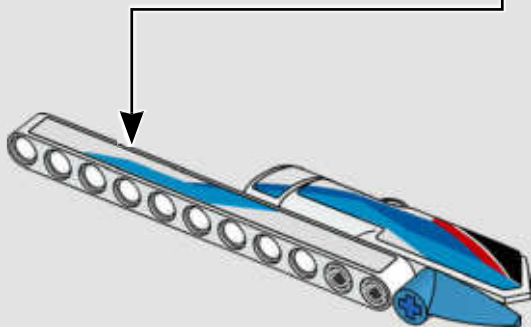
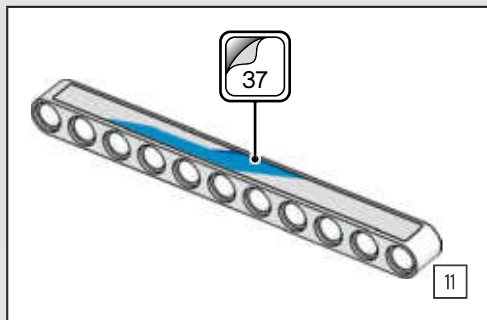


536

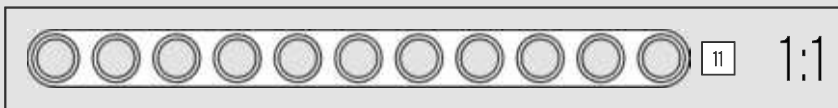
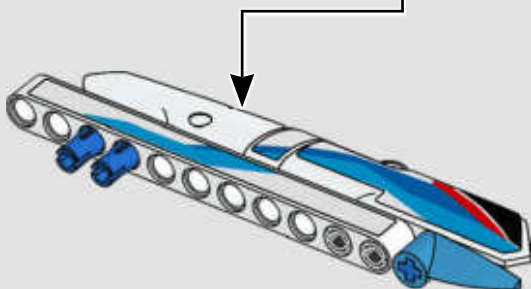




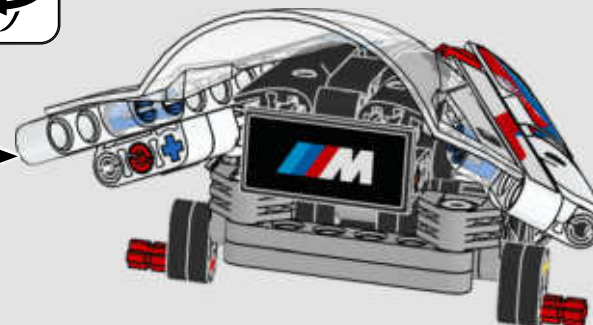
537



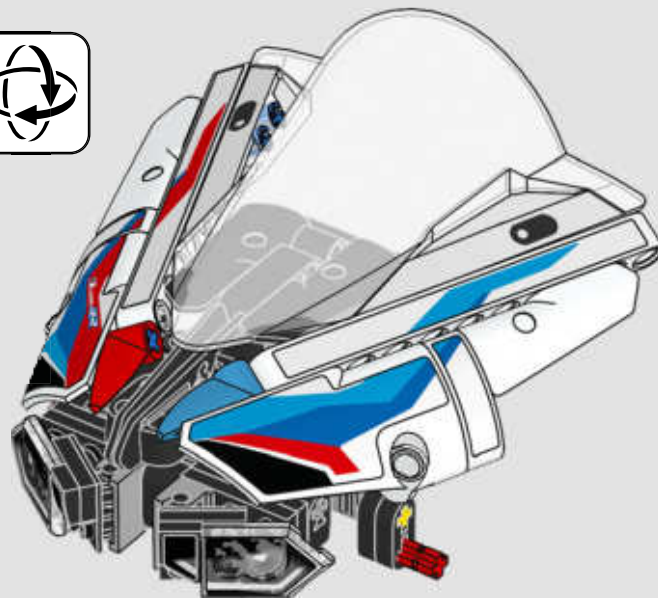
538

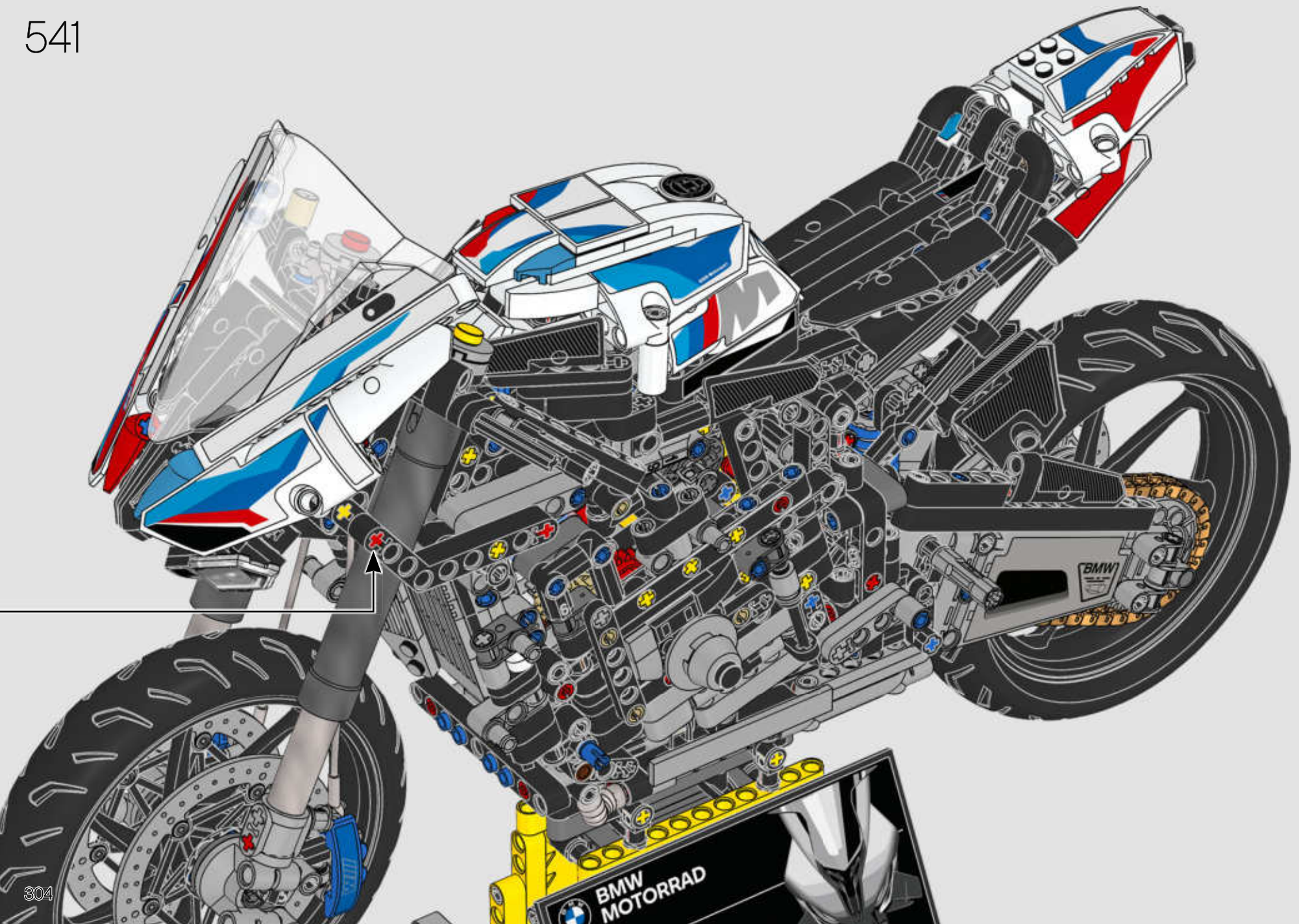


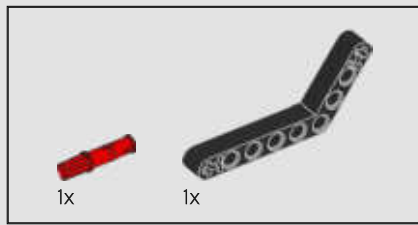
539



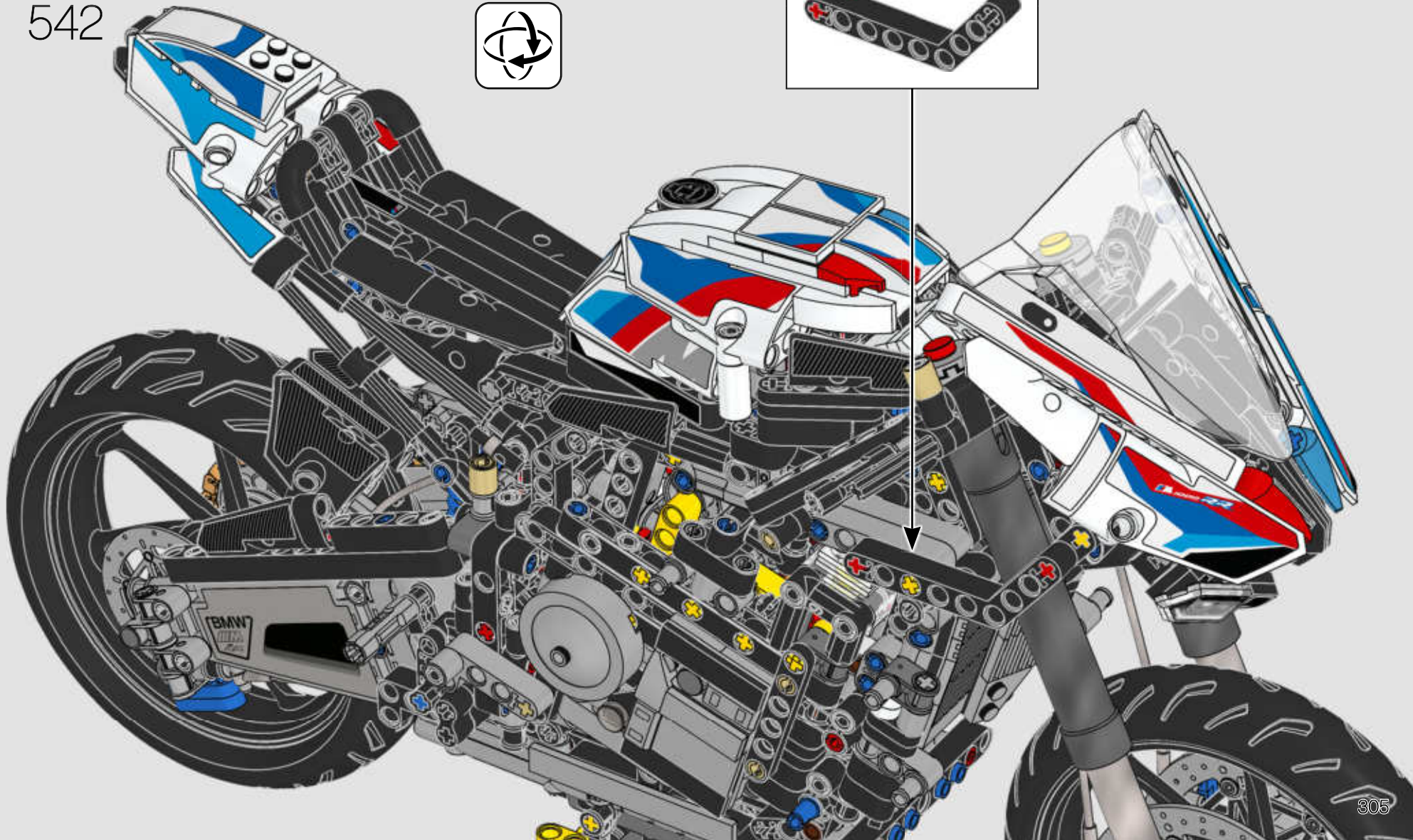
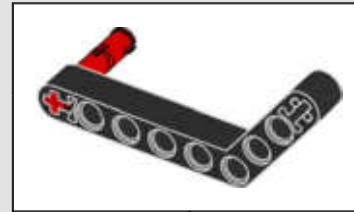
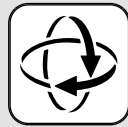
540



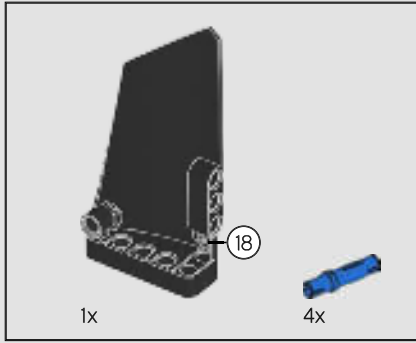
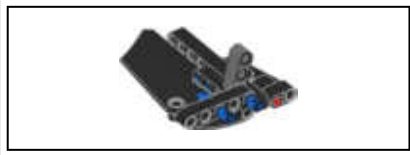




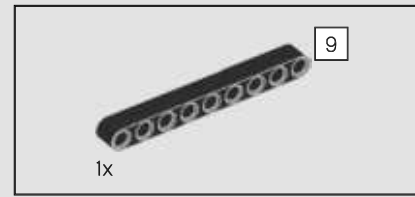
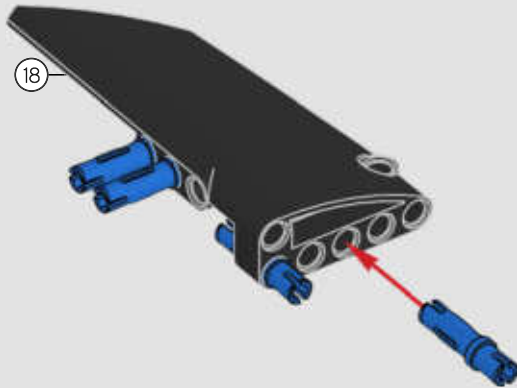
542



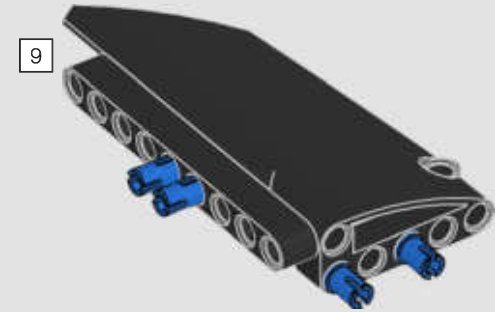




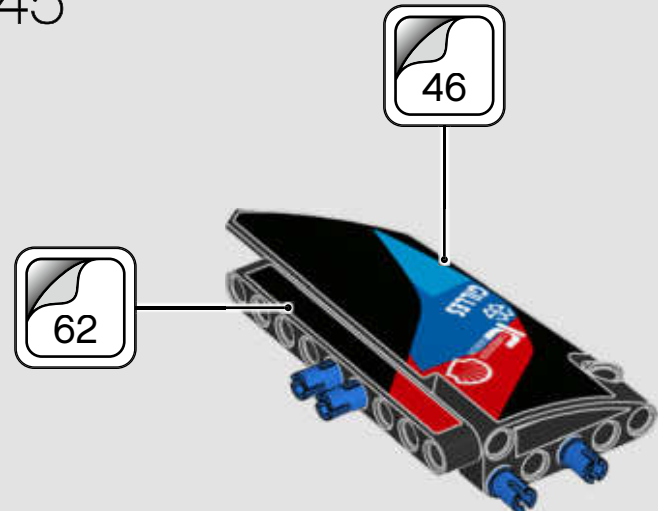
543

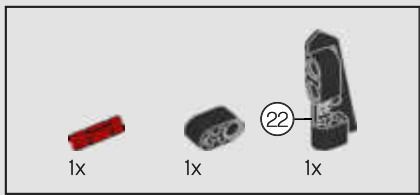


544

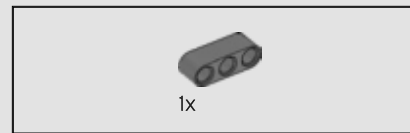
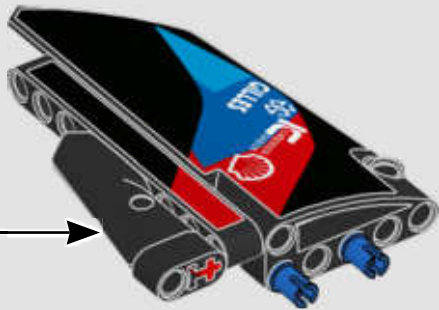
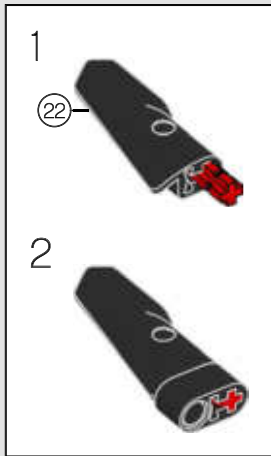


545

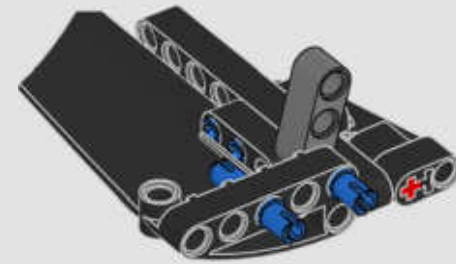
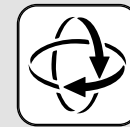




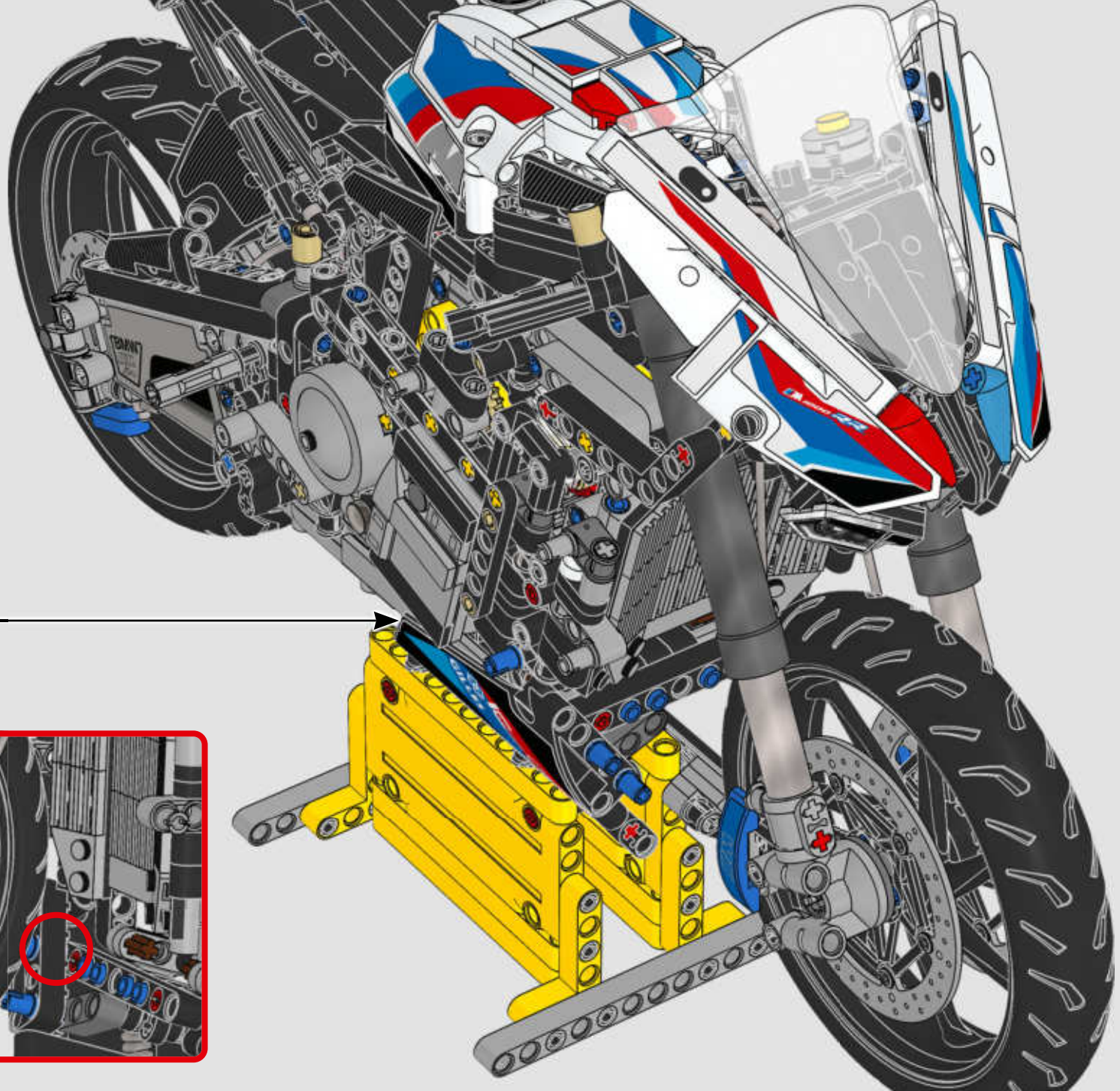
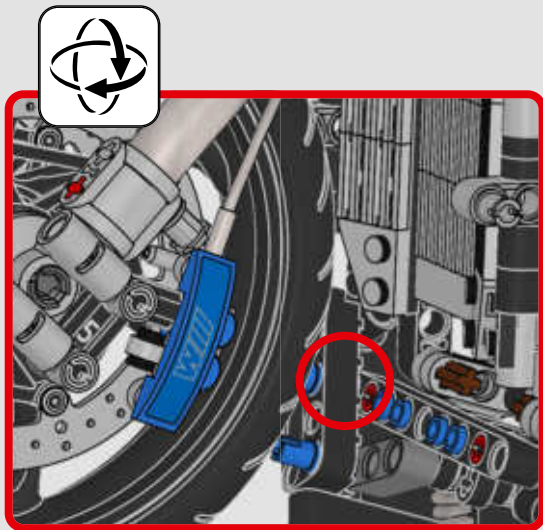
546

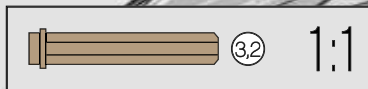


547

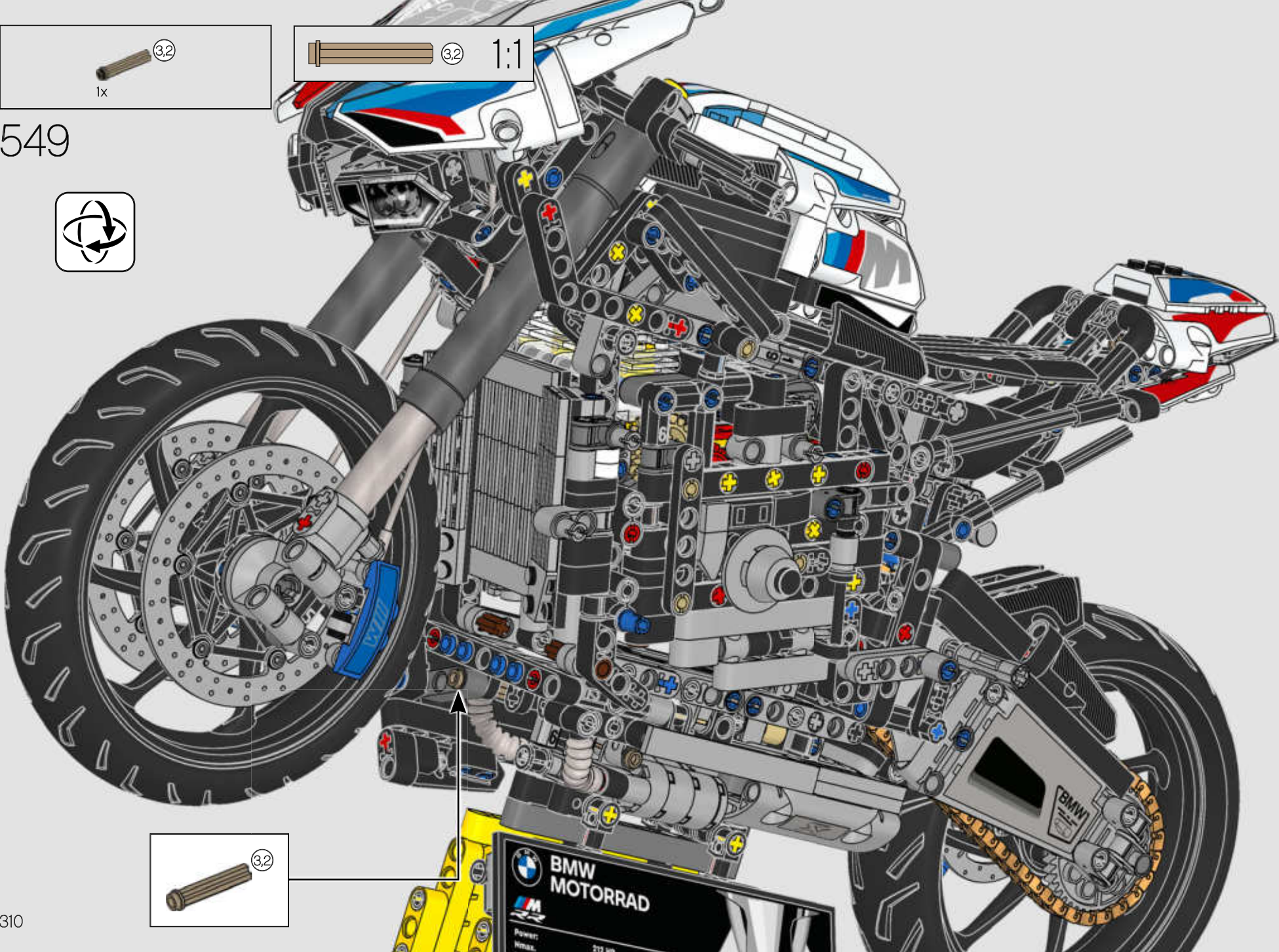
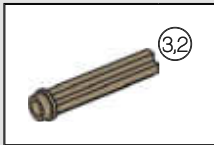


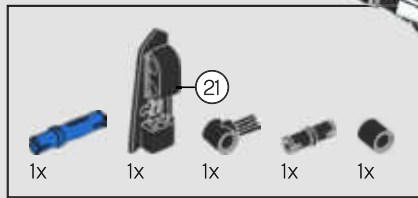
548



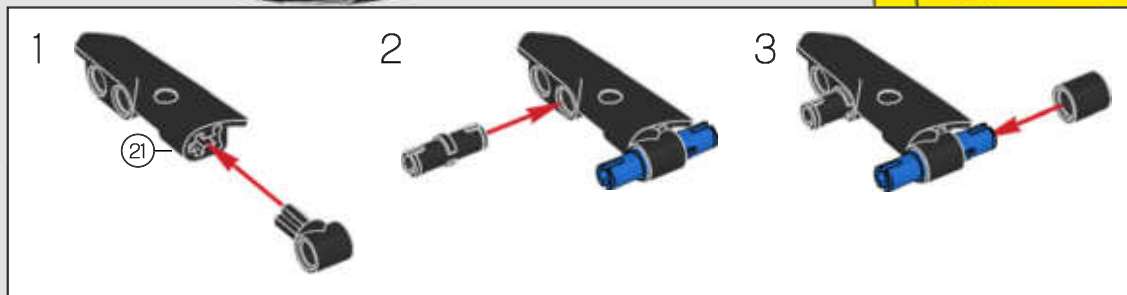
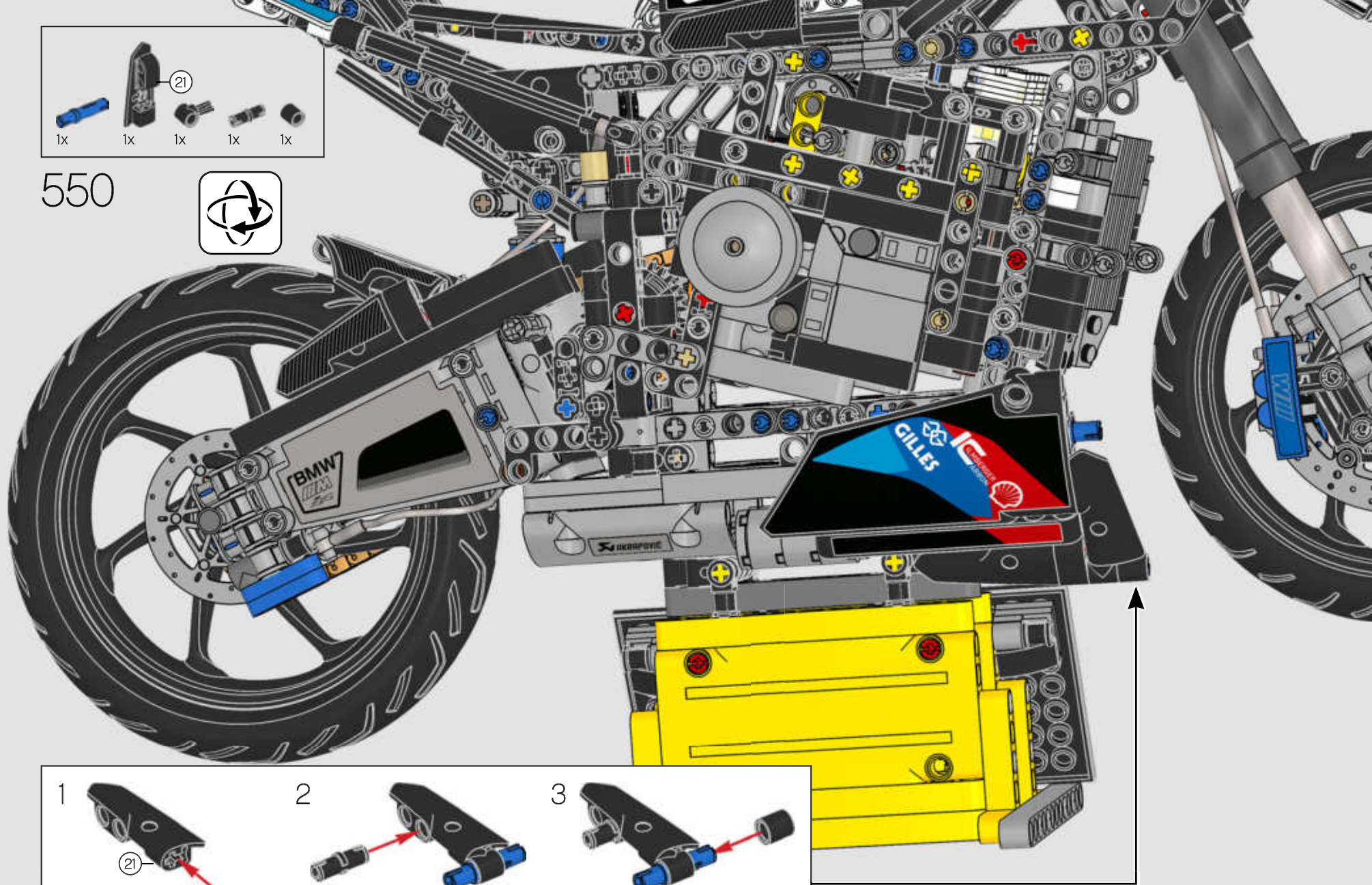


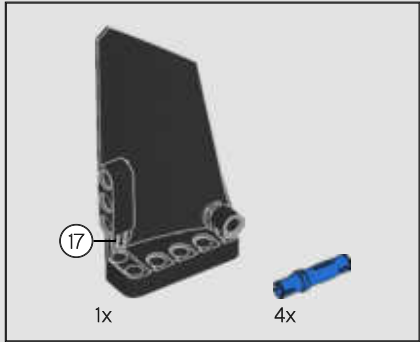
549



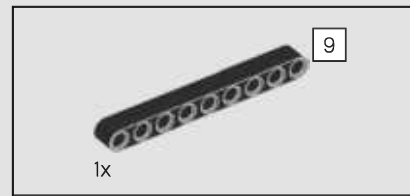
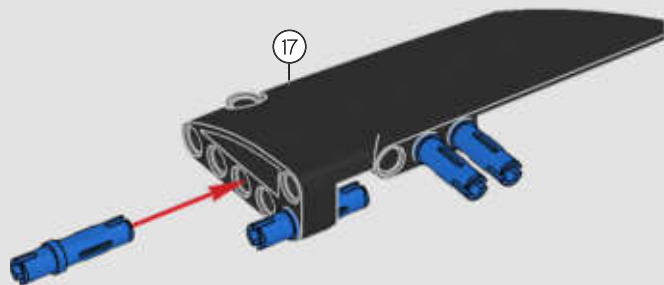


550

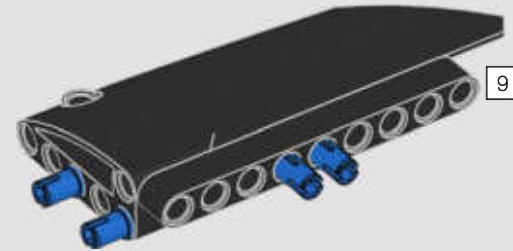




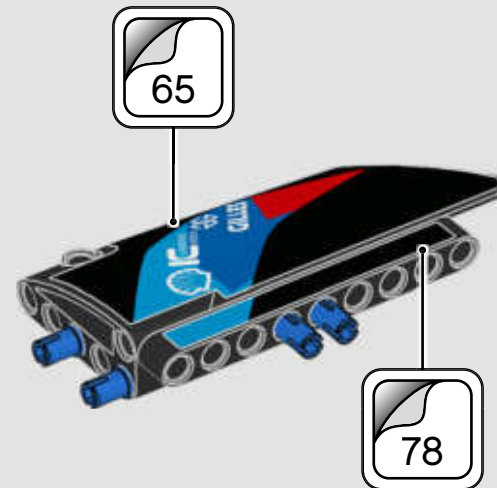
551

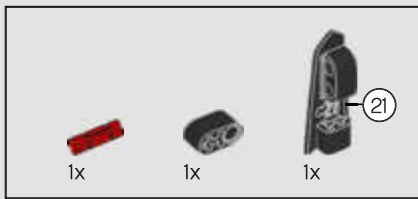


552

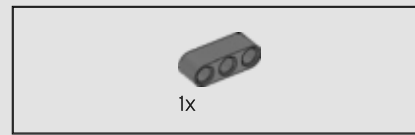
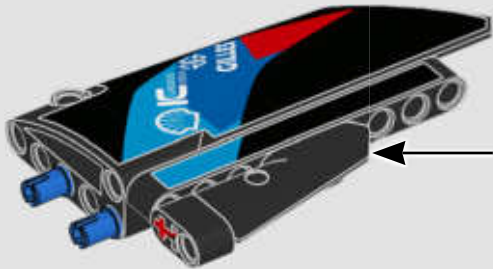
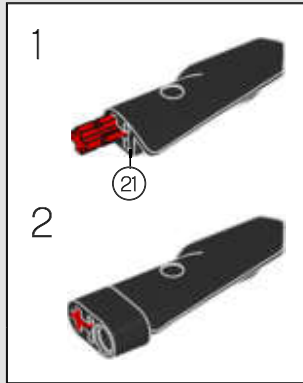


553

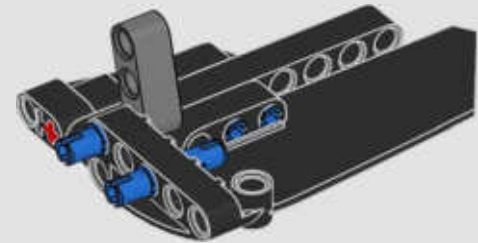
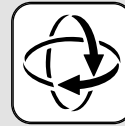




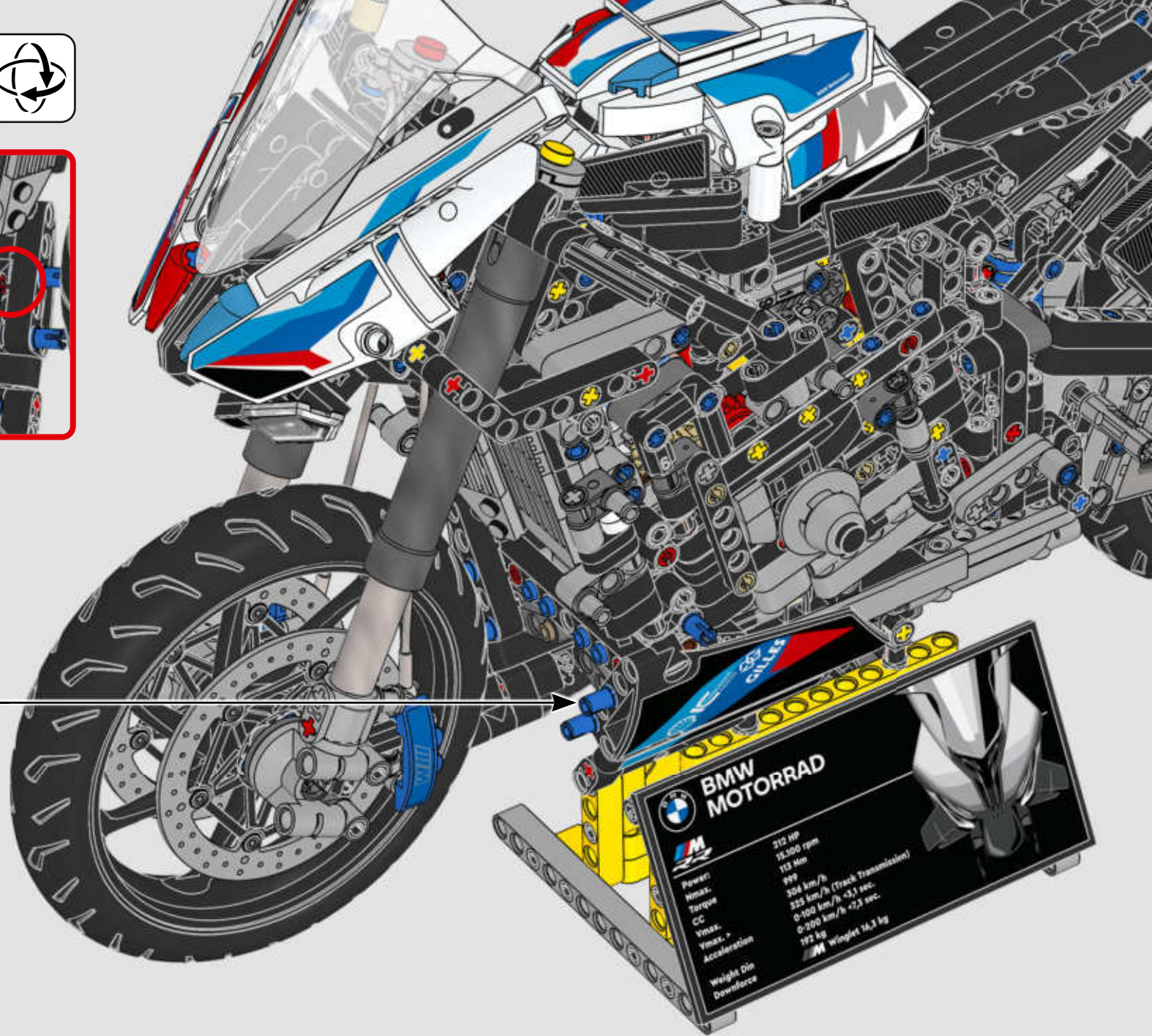
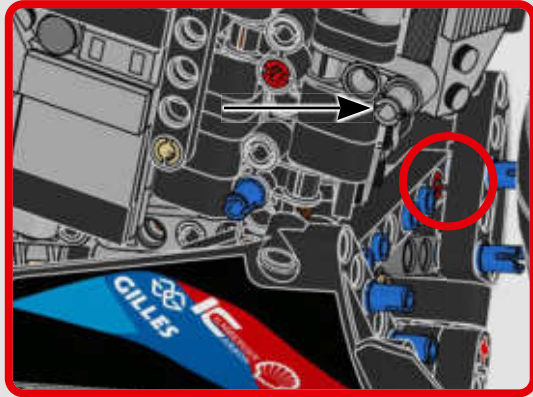
554



555

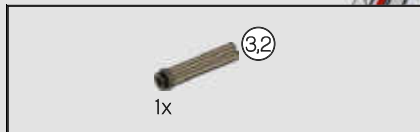


556

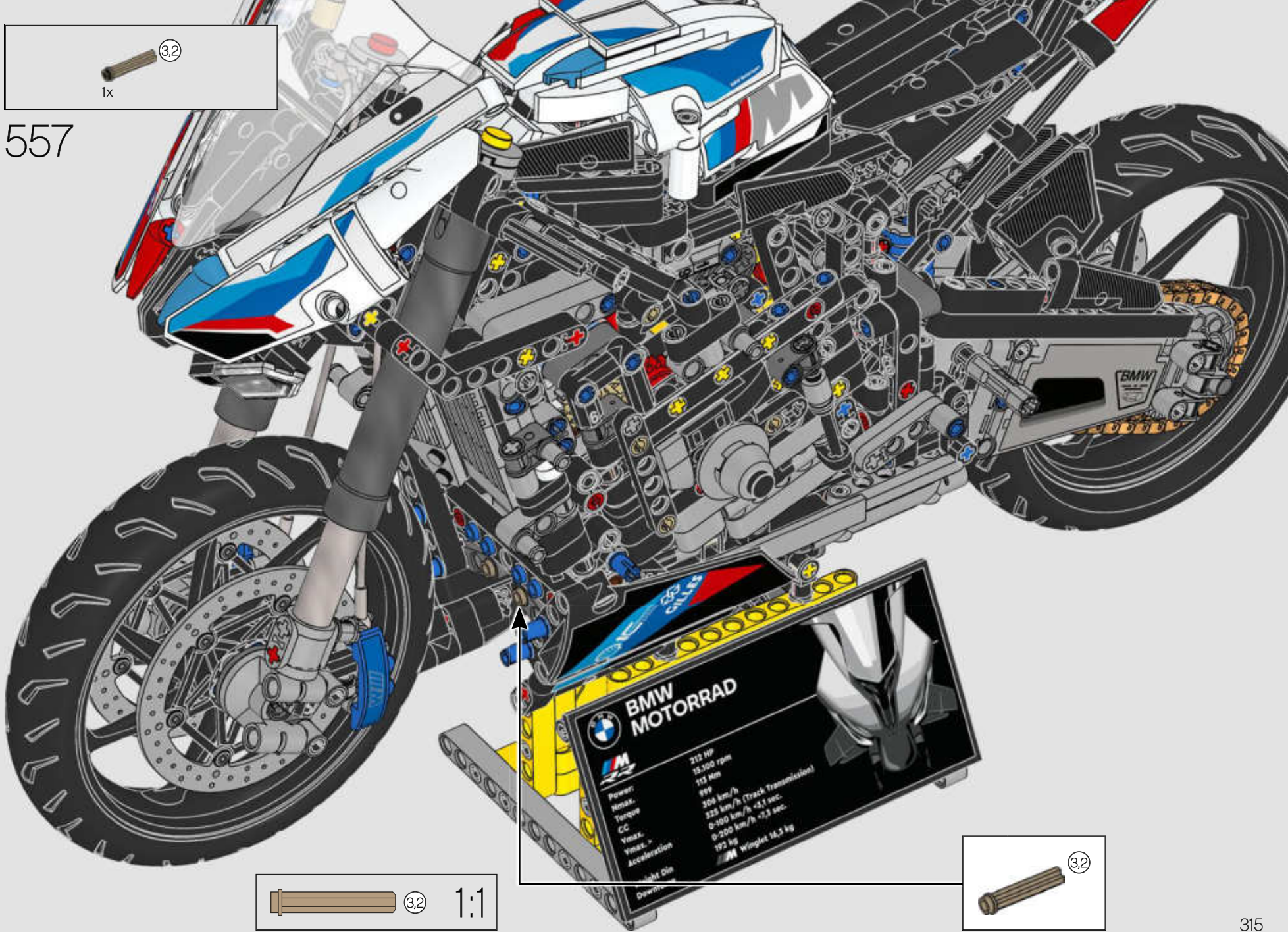


BMW MOTORRAD

Power:	212 HP
Nmax:	15,300 rpm
Torque:	113 Nm
CC	999
Vmax:	304 km/h
0-100 km/h:	3.1 sec. (Track Transmission)
0-200 km/h:	< 7.3 sec.
Weight:	192 kg
Weight Dis. Downforce:	Winglet 14.3 kg

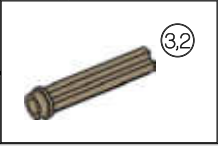


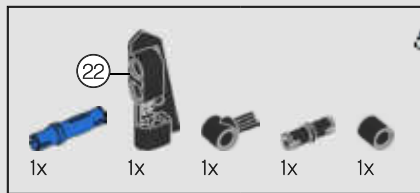
557



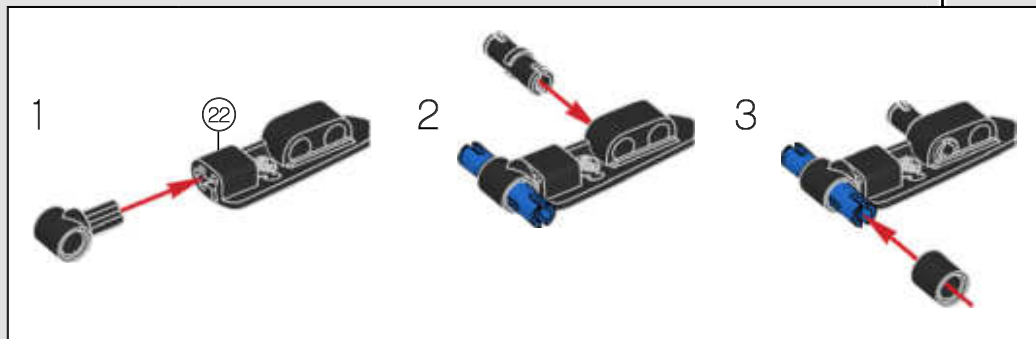
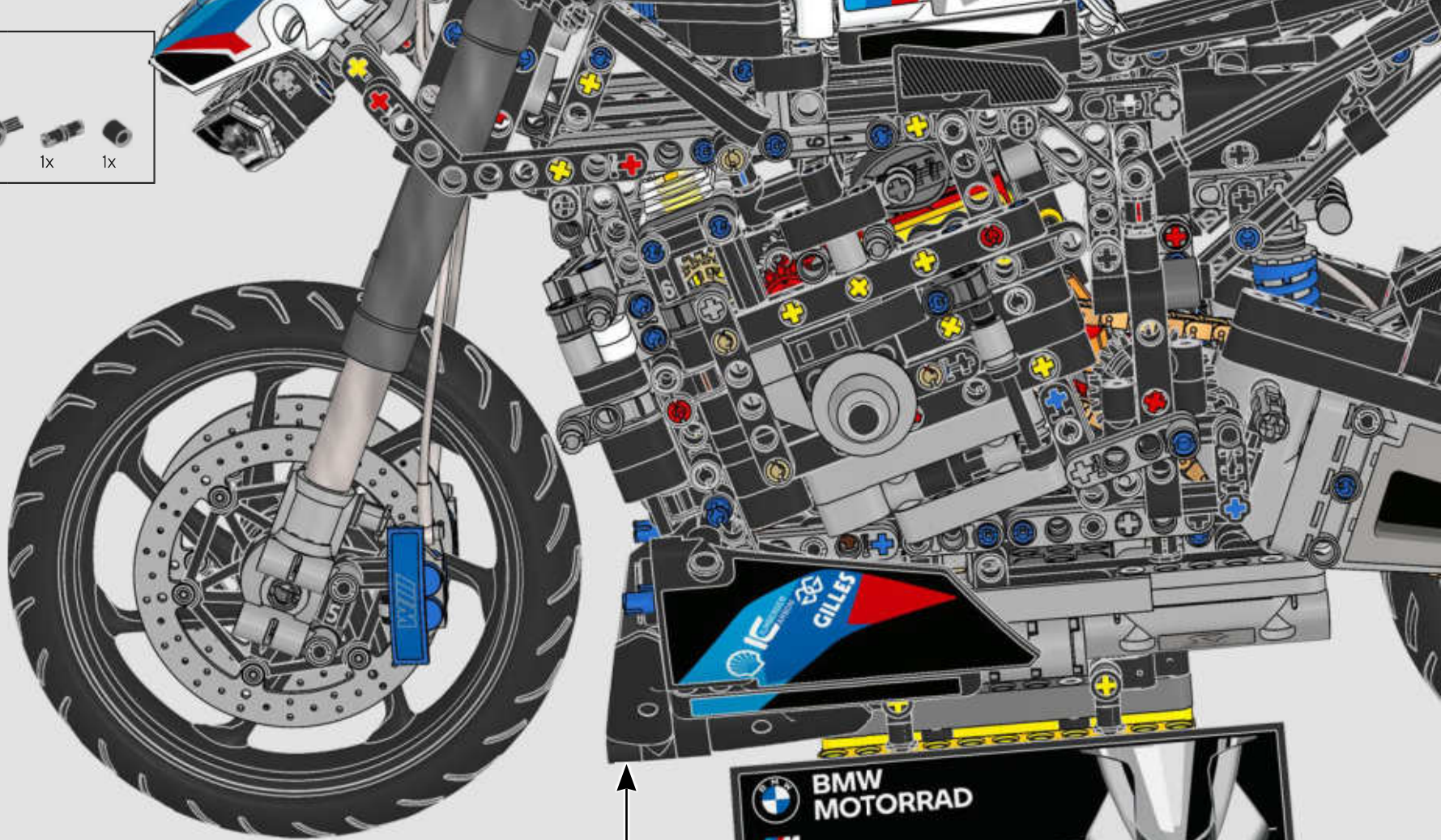
BMW MOTORRAD

Power:	212 HP
Max. rpm:	15,300 rpm
Max. speed:	113 km/h
Max. speed (Track Transmission):	199 km/h
0-100 km/h:	3.2 sec.
0-200 km/h:	7.3 sec.
Weight:	192 kg
Winglet:	14.3 kg



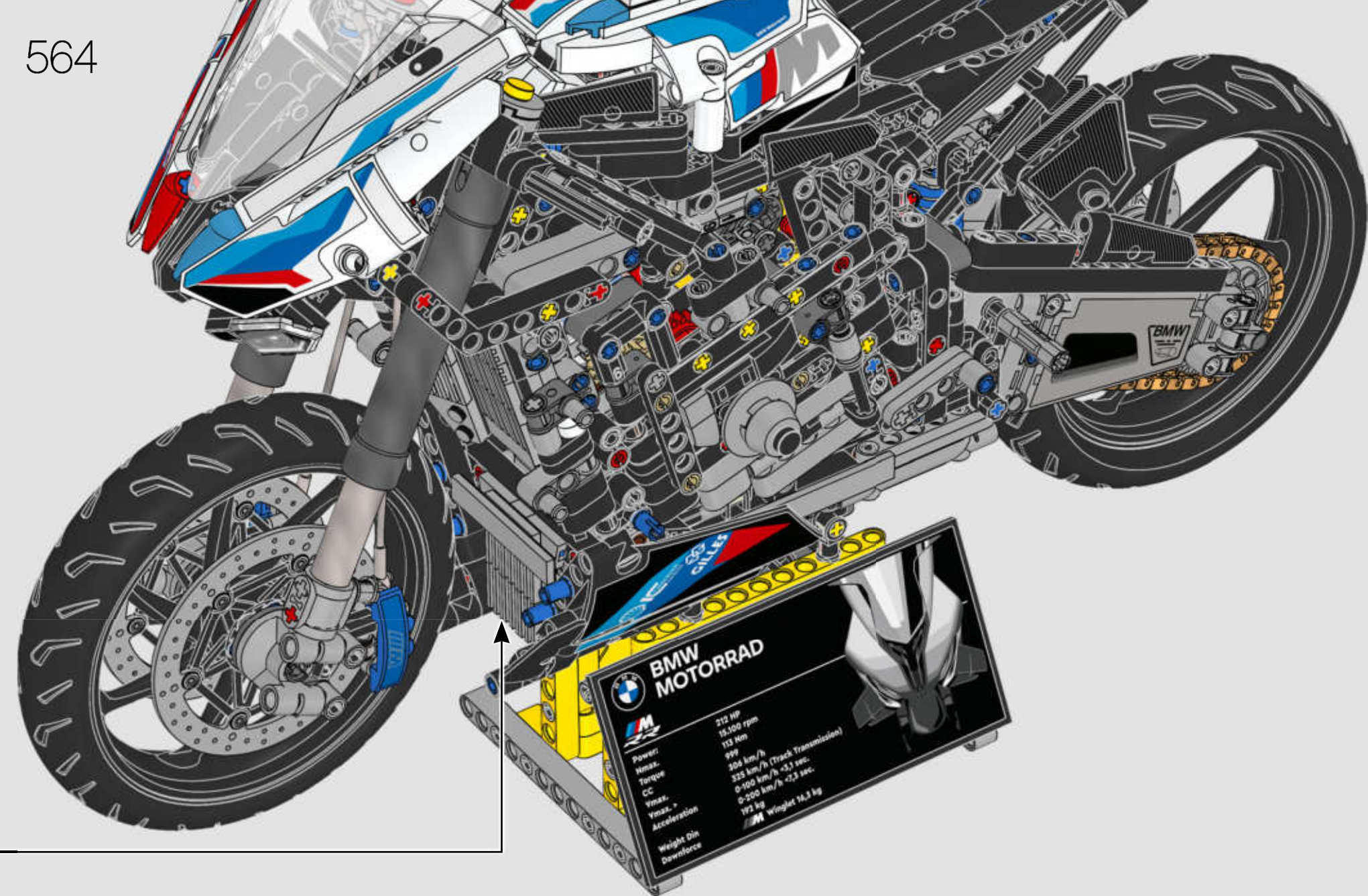


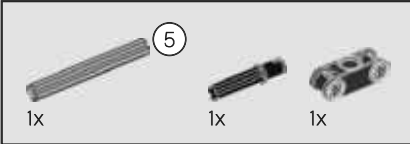
558



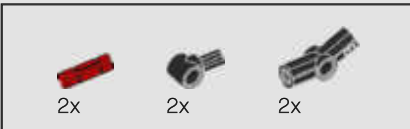
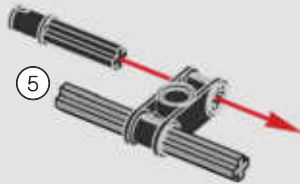
BMW MOTORRAD

Power:	212 HP
Nmax:	15.100 rpm
Torque	113 Nm
CC	999
Vmax:	306 km/h
Vmax >	325 km/h (Track Transmission)
Acceleration	0-100 km/h <3,1 sec.
	0-200 km/h <7,3 sec.
Weight Din	192 kg
Downforce	M Winglet 16,3 kg

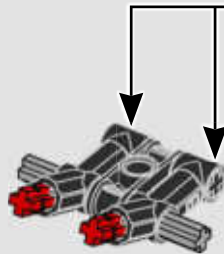
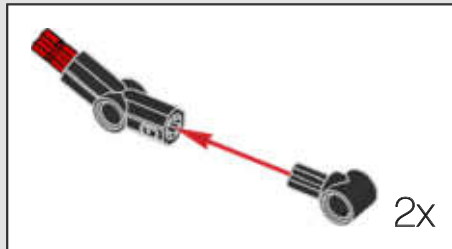




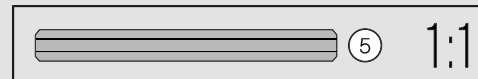
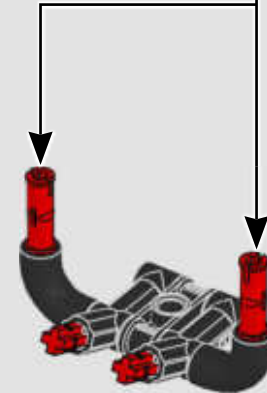
565

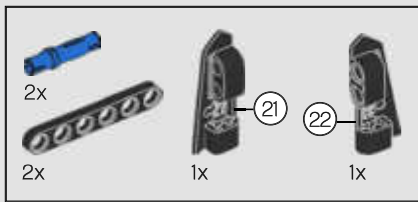


566

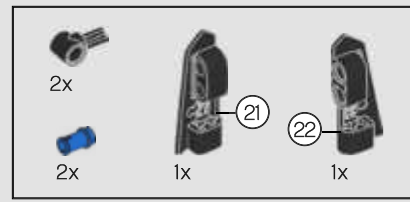
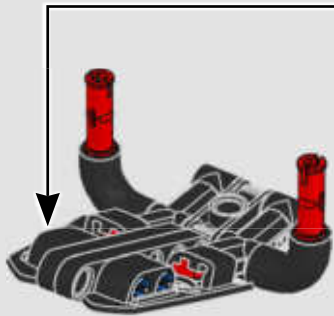
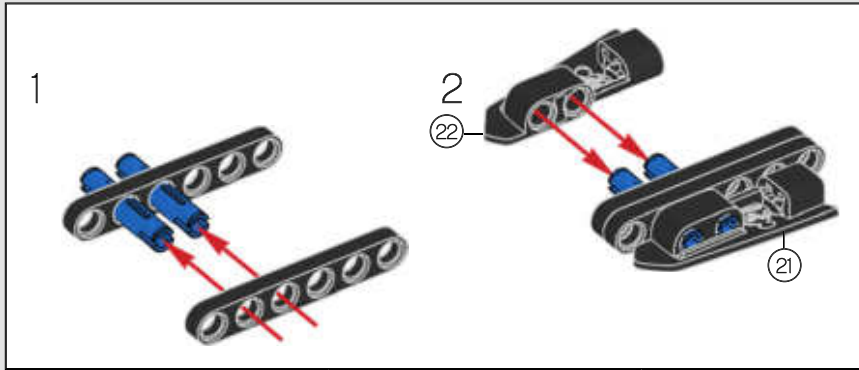
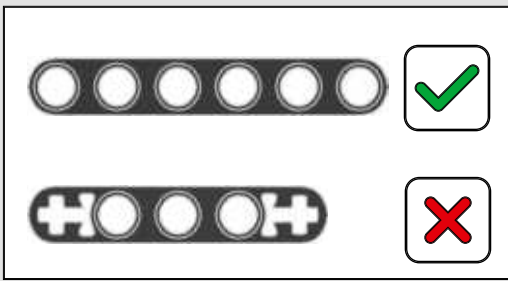


567

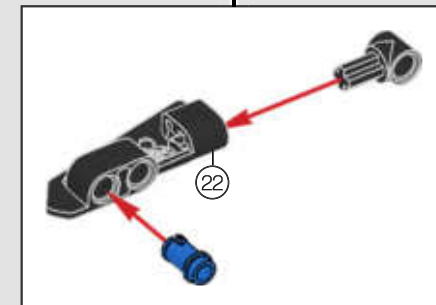
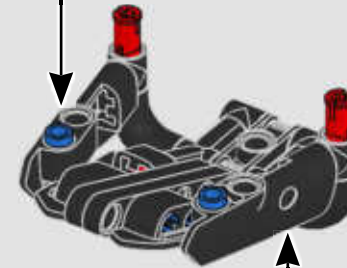
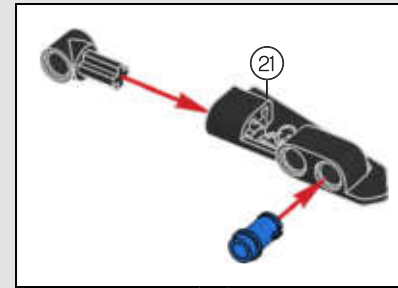


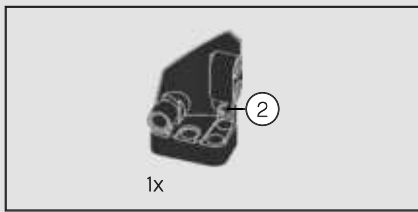


568

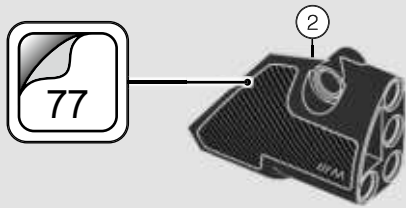


569

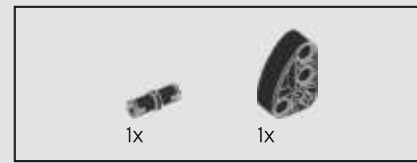
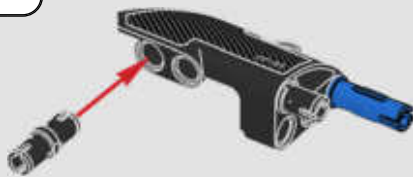




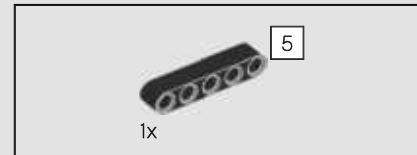
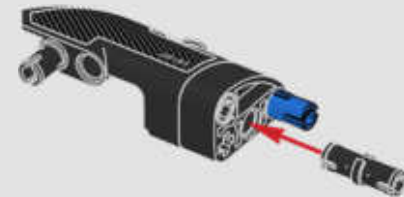
570



571



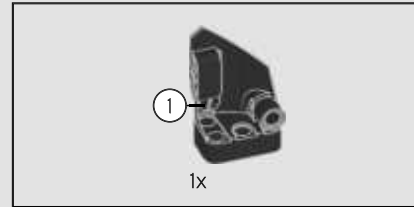
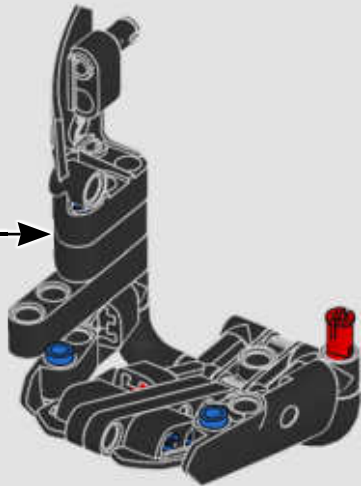
572



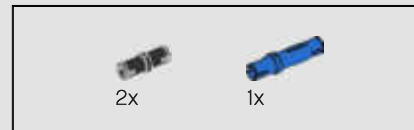
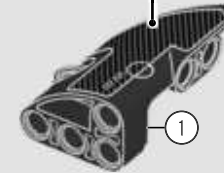
573



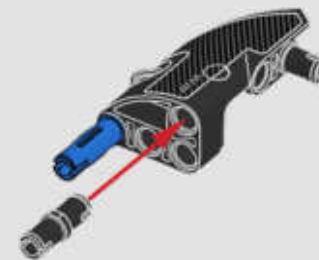
574

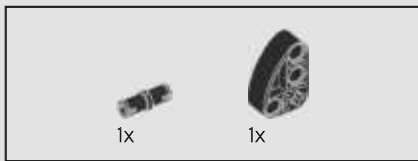


575

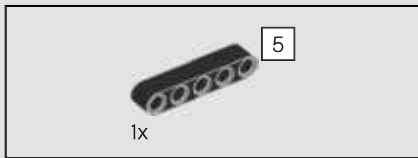
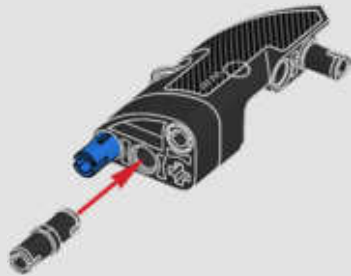


576

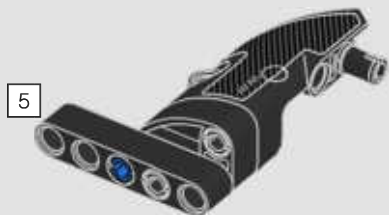




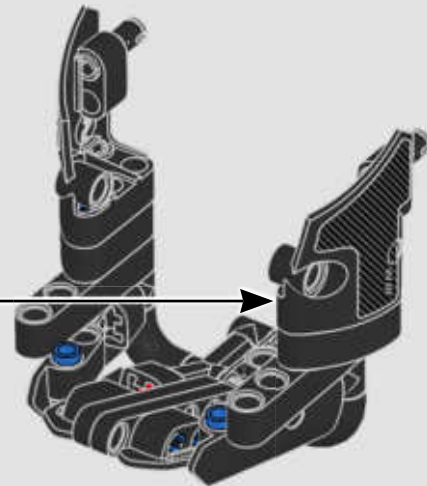
577



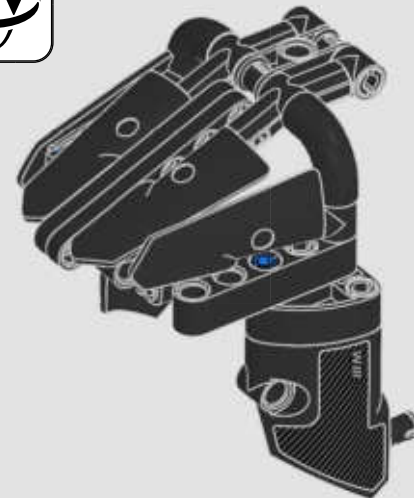
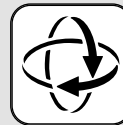
578

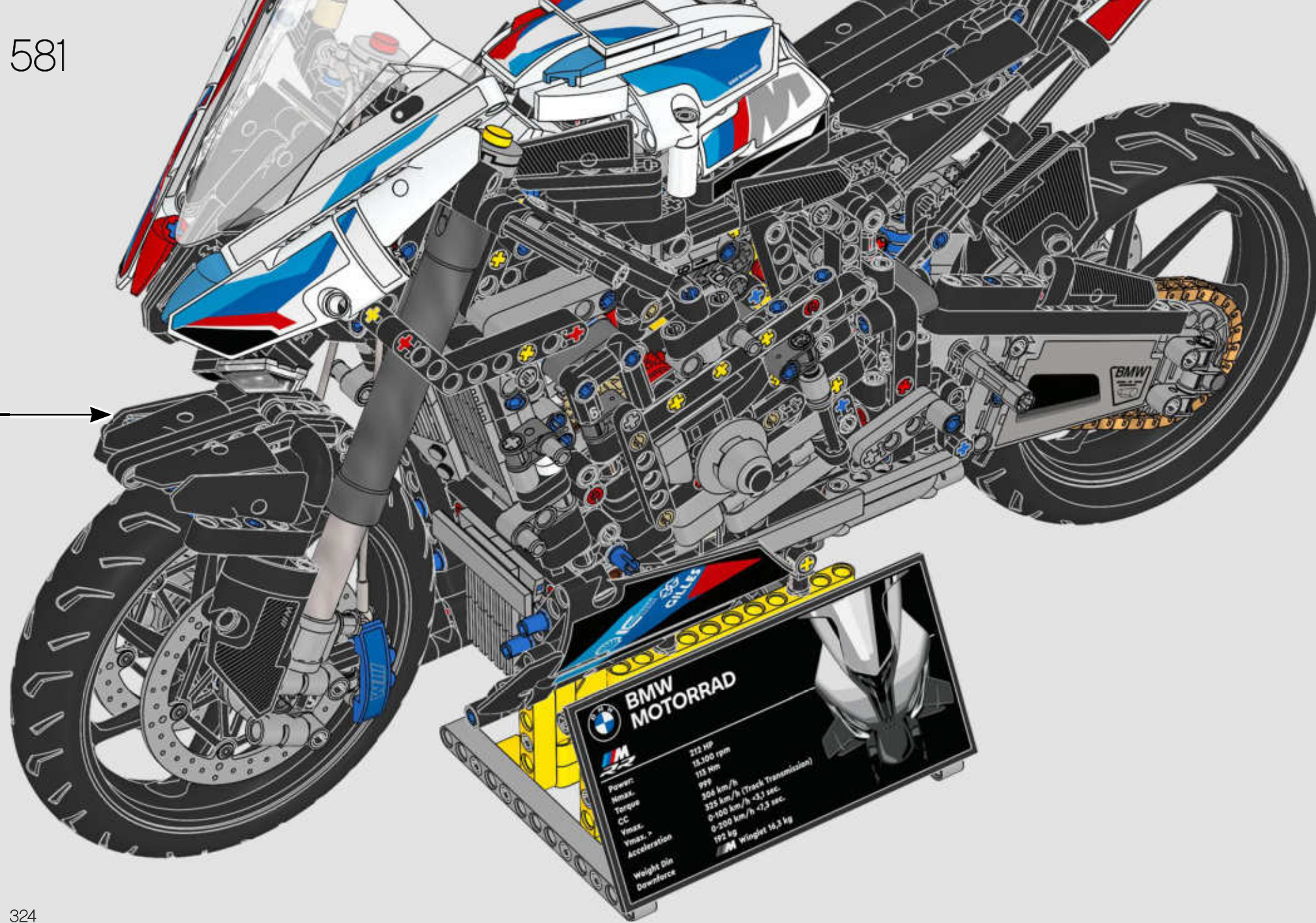


579



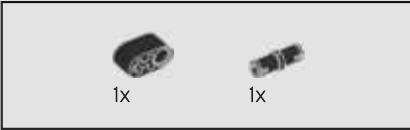
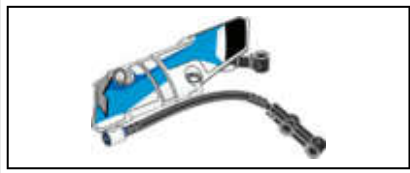
580





BMW MOTORRAD

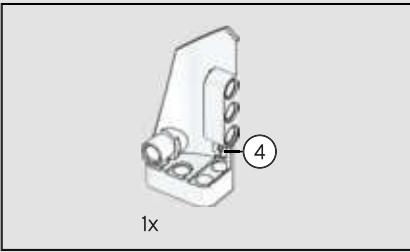
Power:	212 HP
Max. rpm:	15,200 rpm
Torque:	118 Nm
CC:	999
Max. speed:	304 km/h (Track Transmission)
0-100 km/h:	3.25 sec.
Acceleration:	0-100 km/h > 4.3 sec.
Weight:	192 kg
Weight (Dry):	163 kg



1x

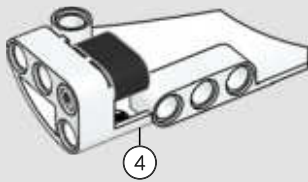
1x

582

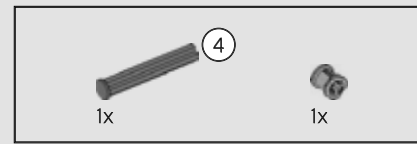


1x

583



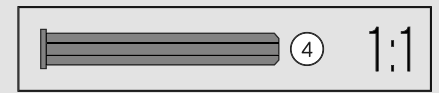
4



1x

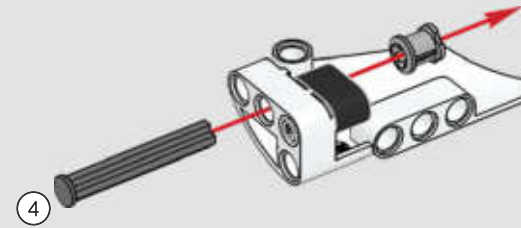
1x

584

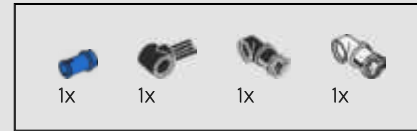


4

1:1



4



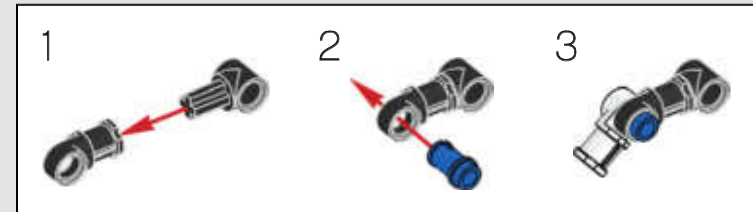
1x

1x

1x

1x

585

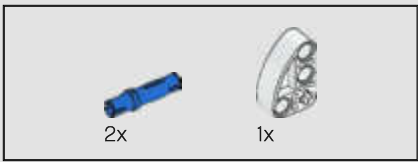


1

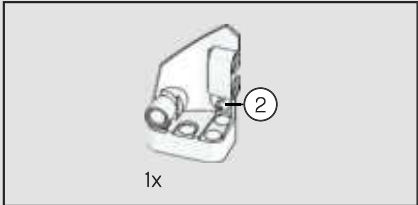
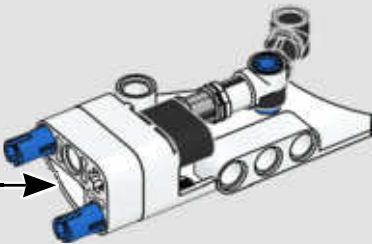
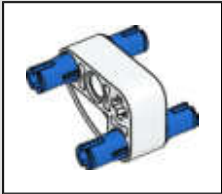
2

3

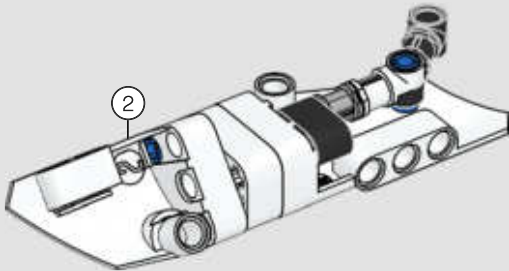




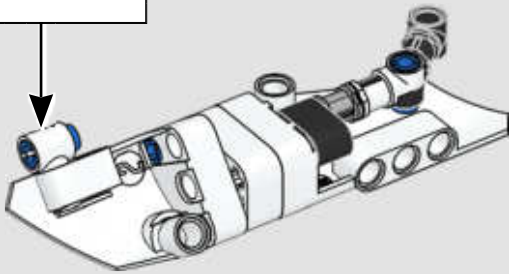
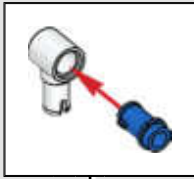
586



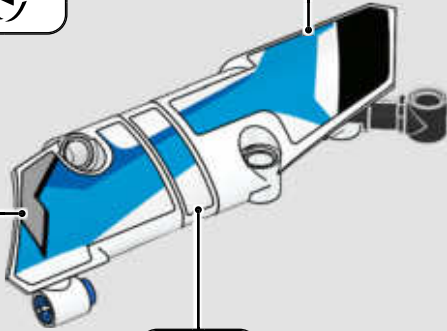
587



588

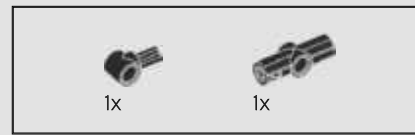
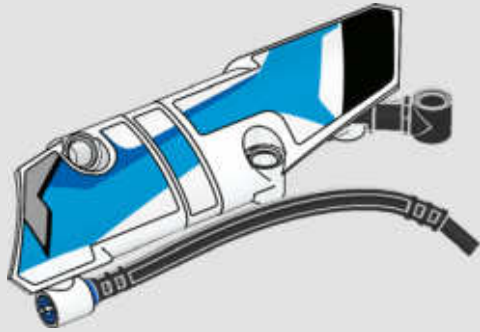


589

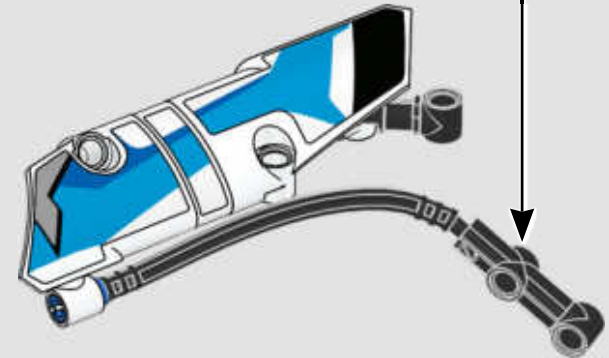
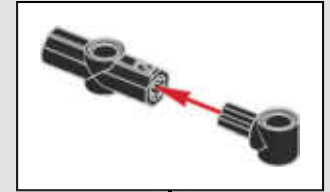


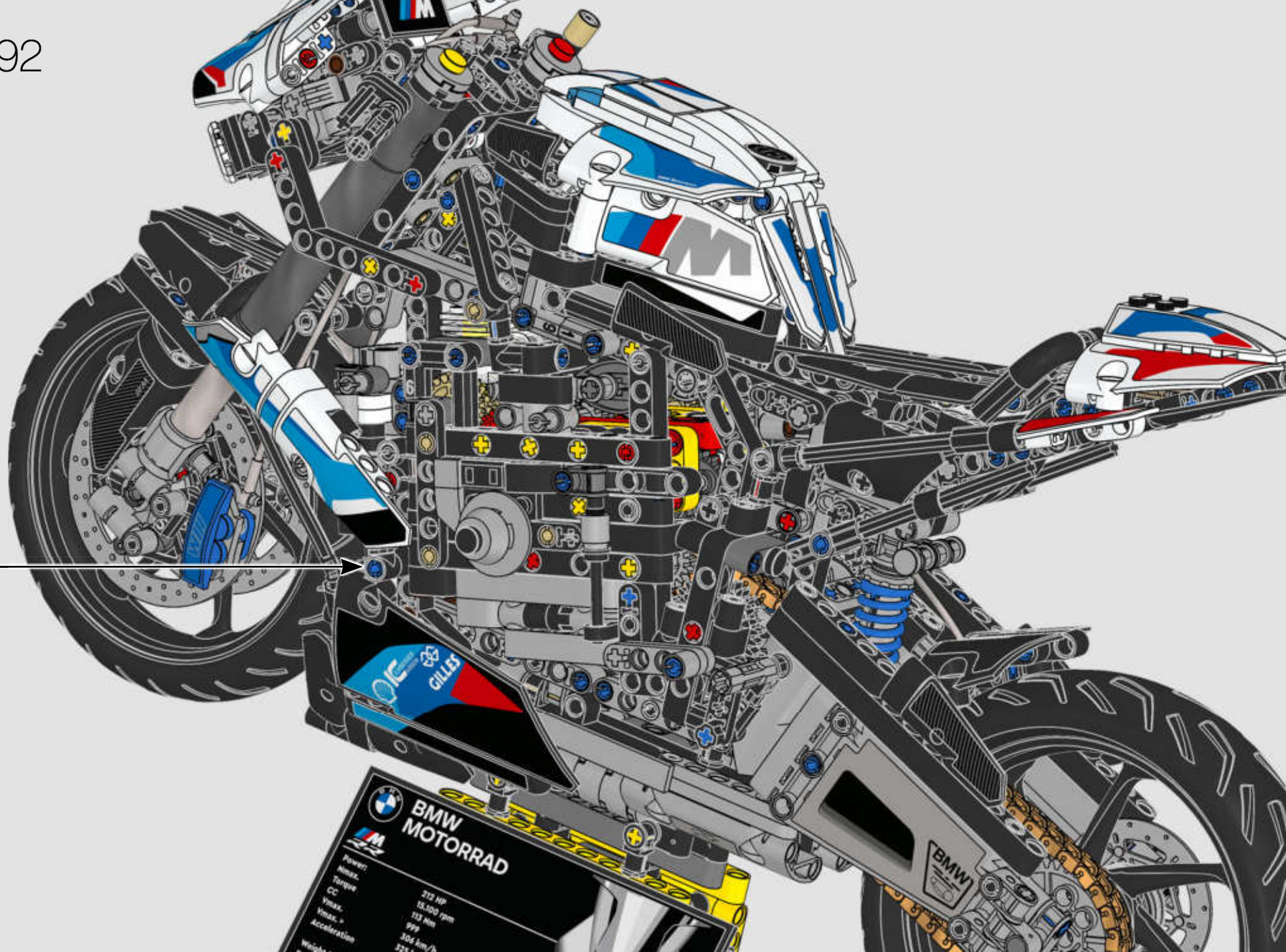


590

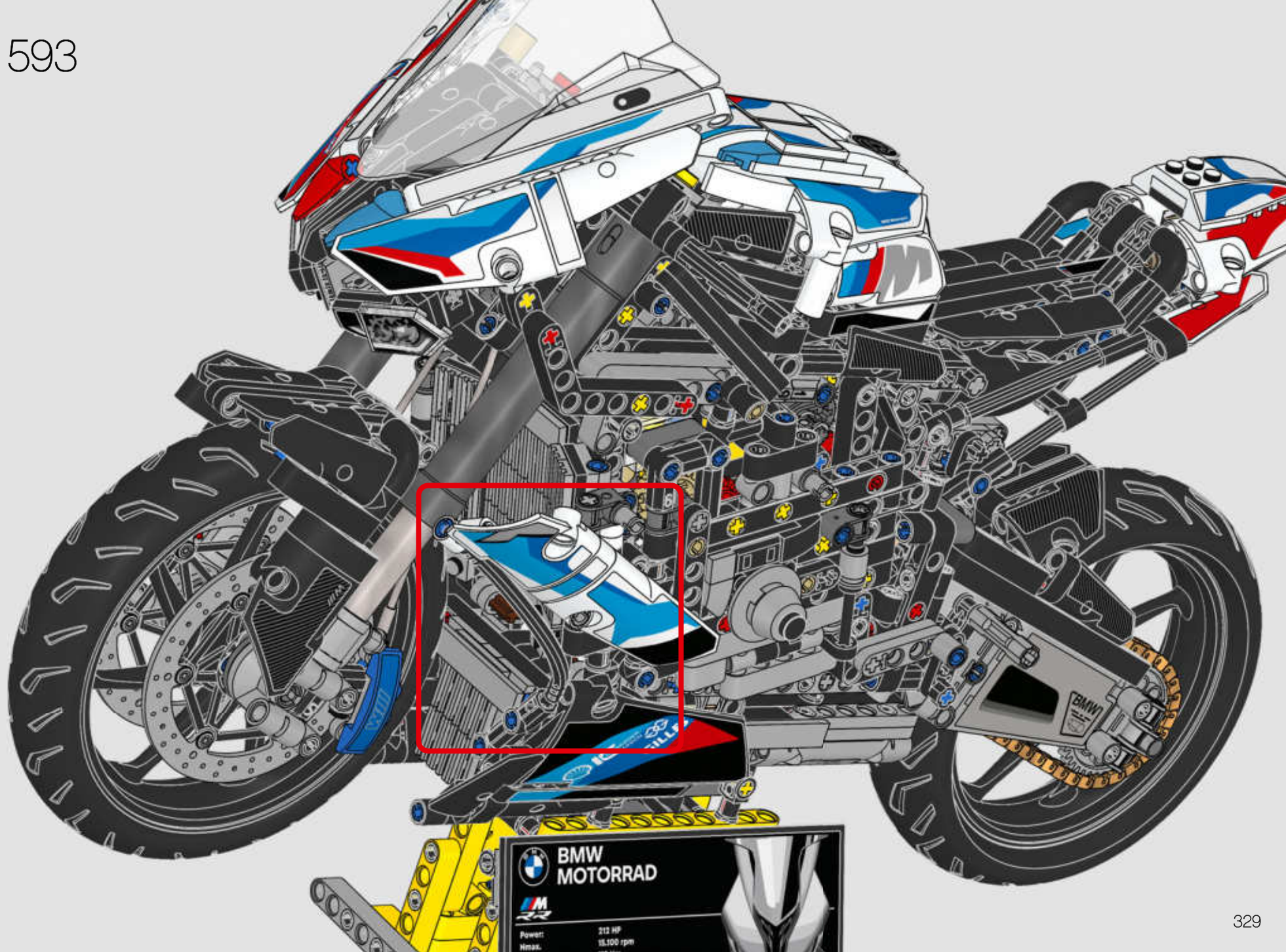


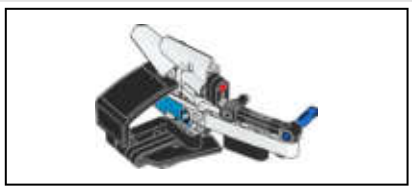
591



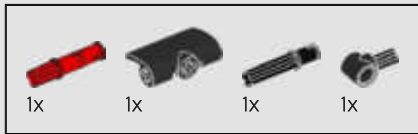


BMW MOTORRAD	
Power	212 HP
Max. Torque	18,500 rpm
CC	113 cm ³
Vmax.	99 km/h
Vmax. 2	304 km/h
Acceleration	3.2 s
Weight	215 kg

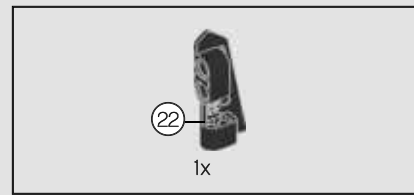
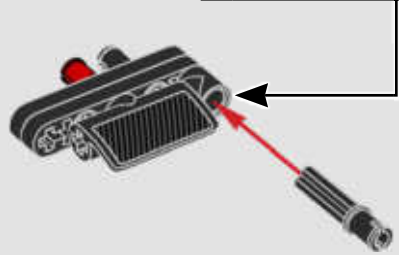
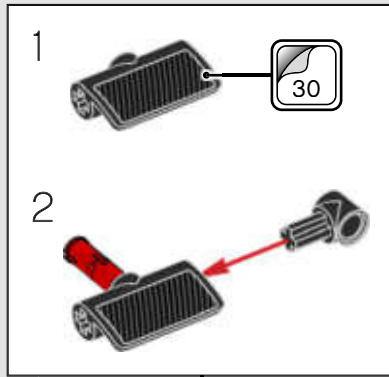




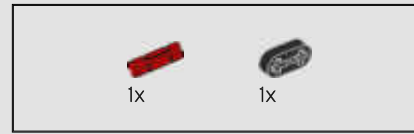
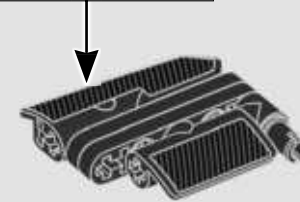
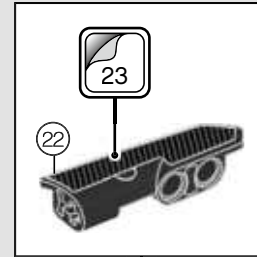
594



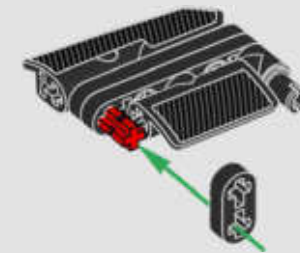
595

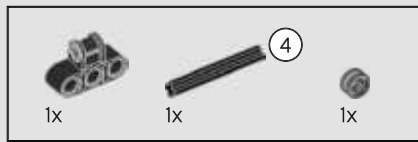


596

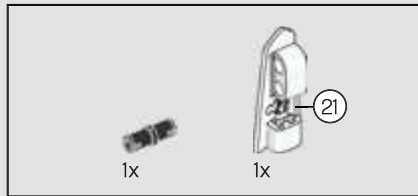
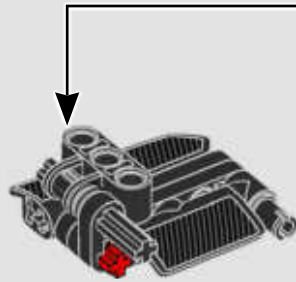
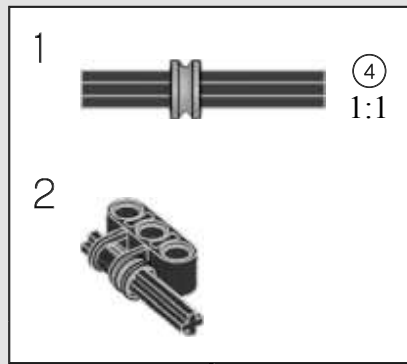


597

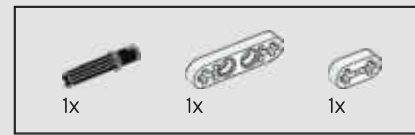
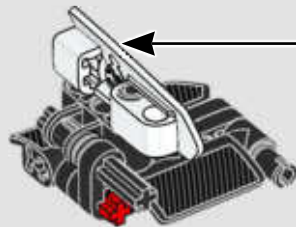
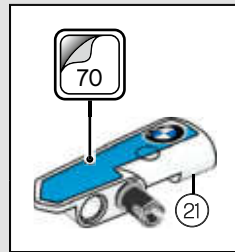




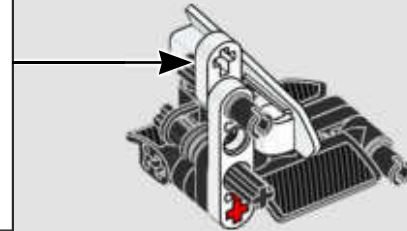
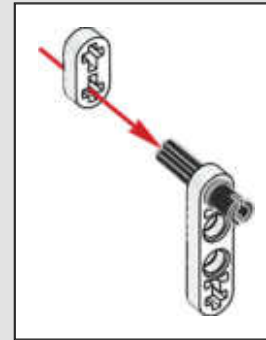
598



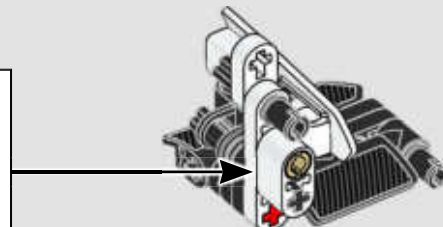
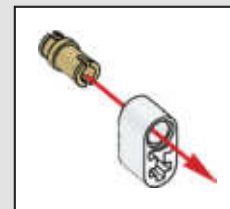
599

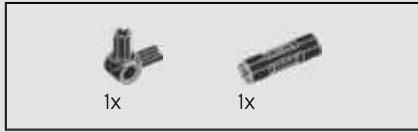


600

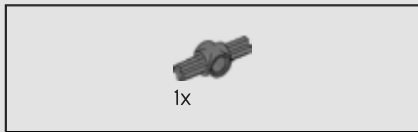
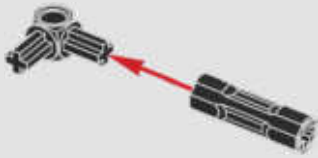


601





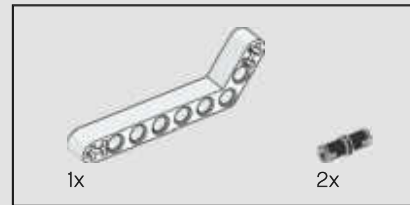
602



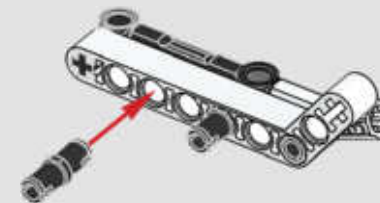
603

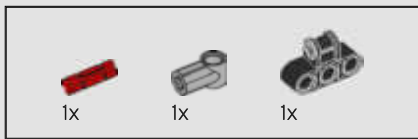


604

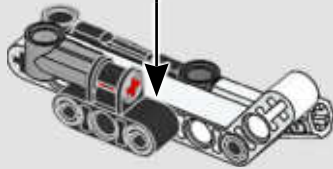
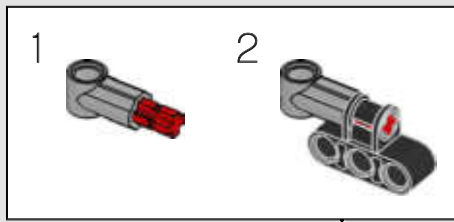


605

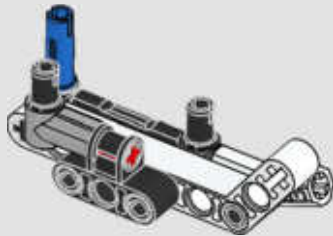




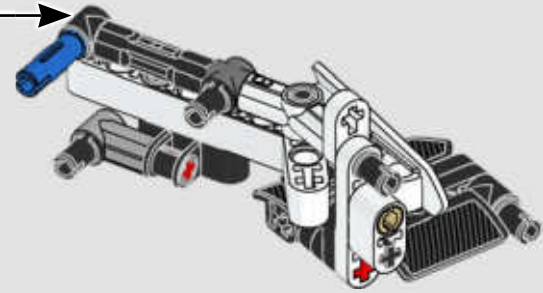
606



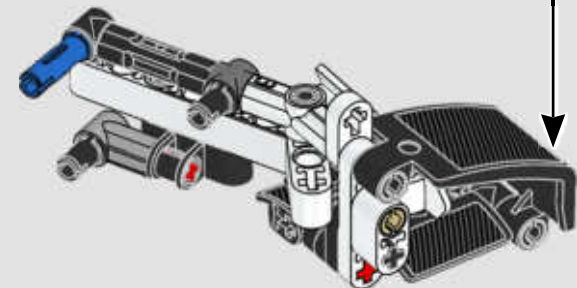
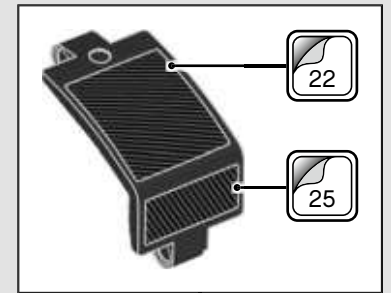
607

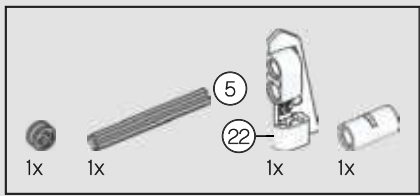


608

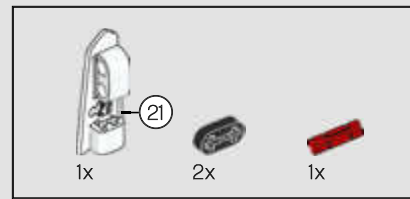
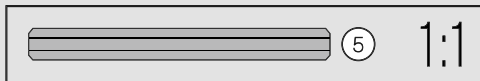
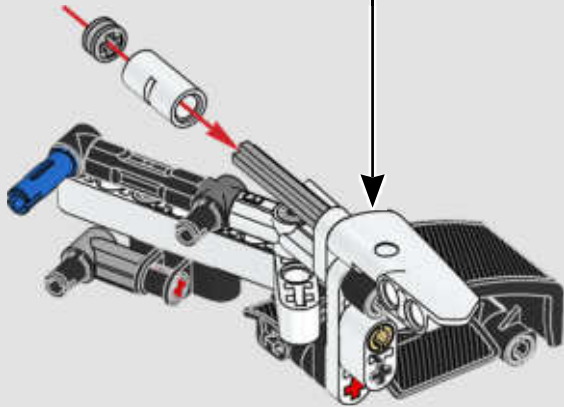
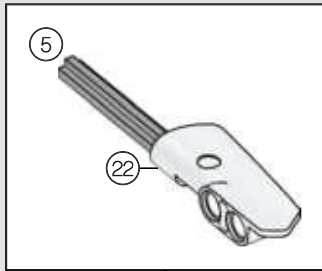


609

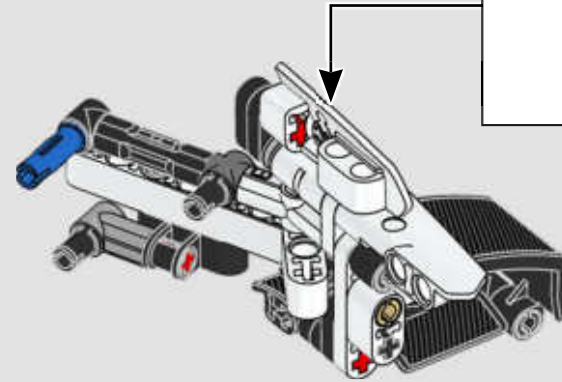
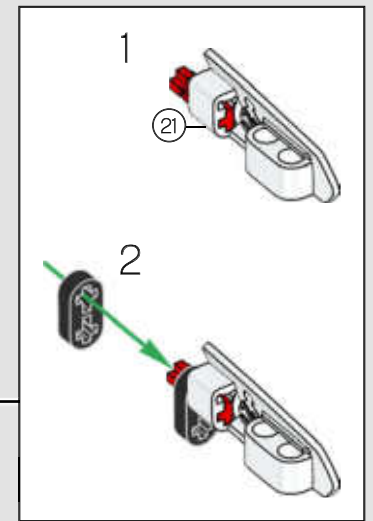




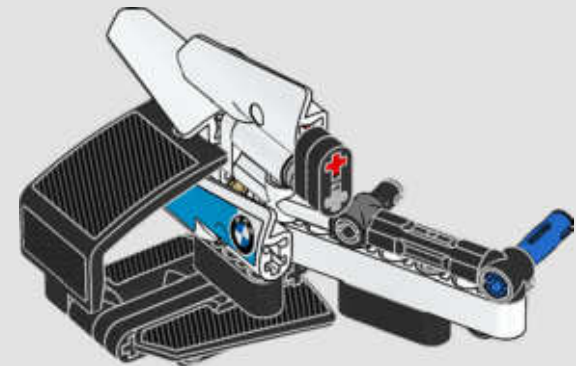
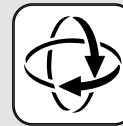
610



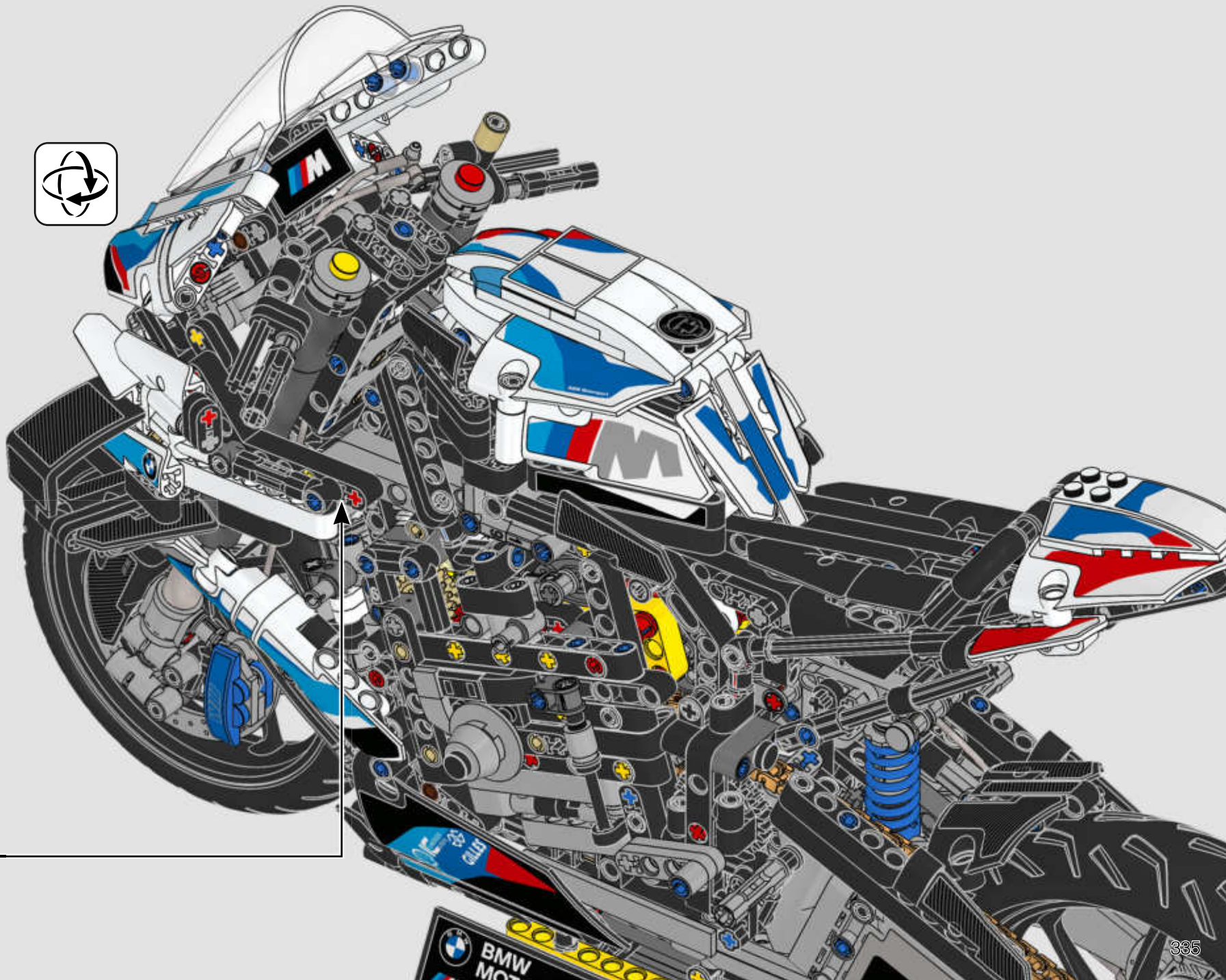
611

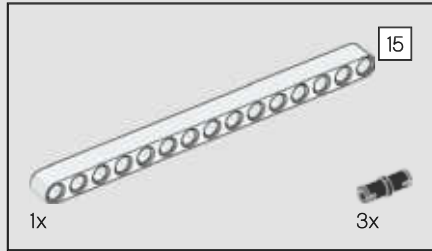
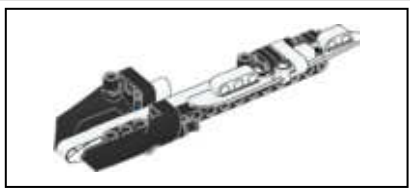


612

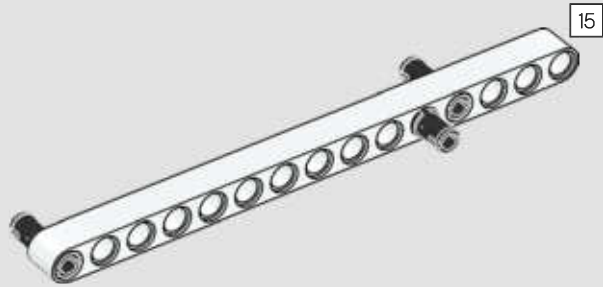


613

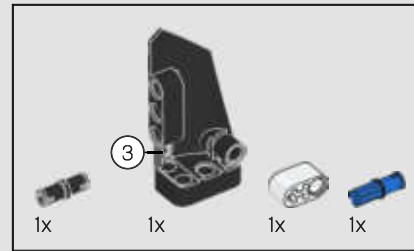
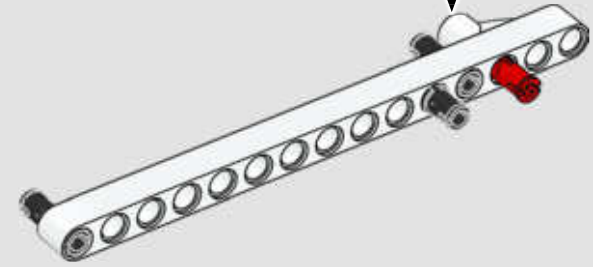
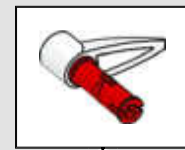




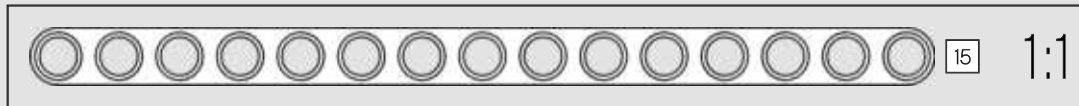
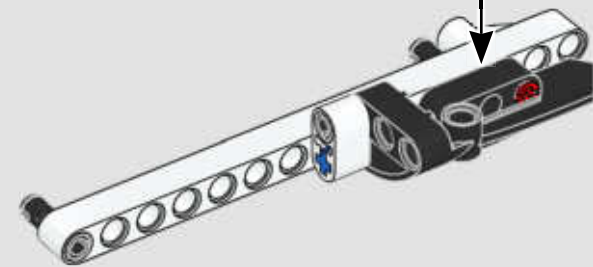
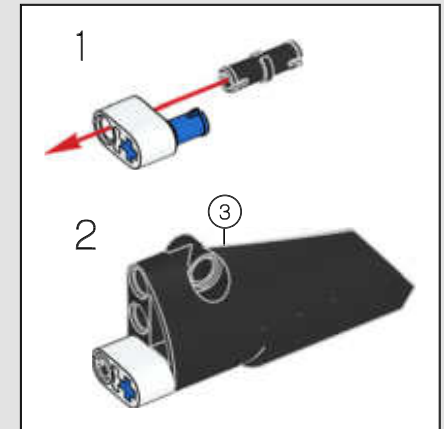
614

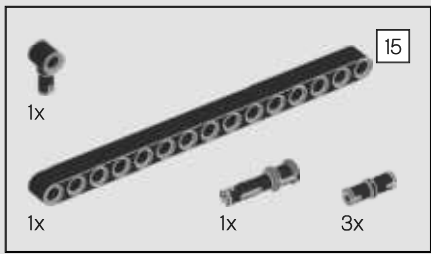


615



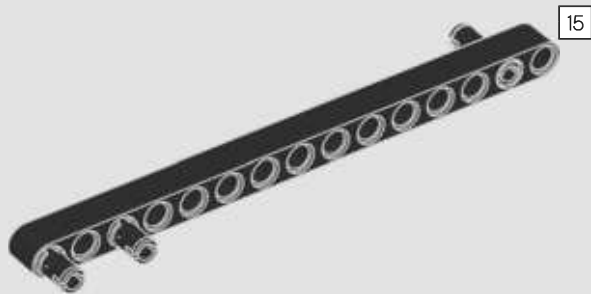
616



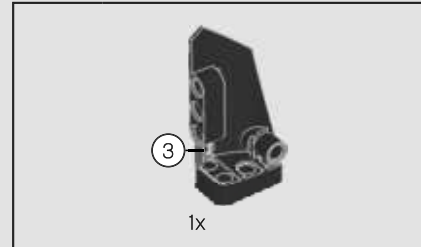
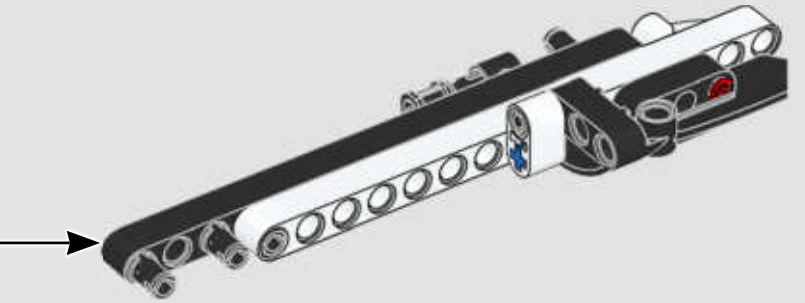
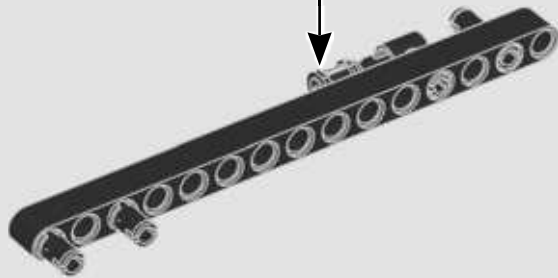


617

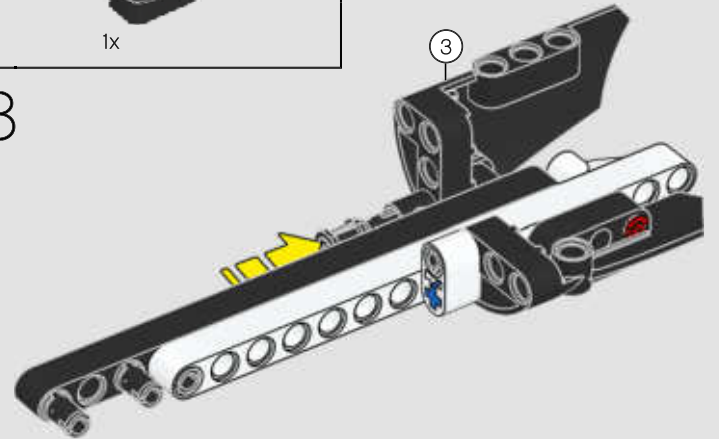
1

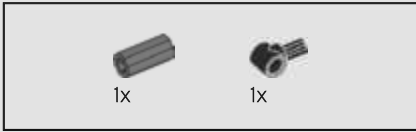


2

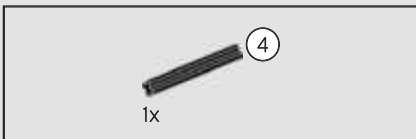
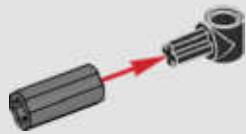


618

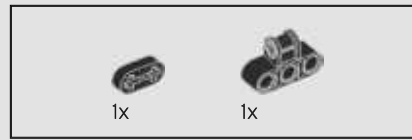
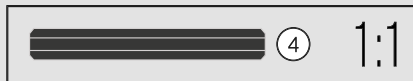




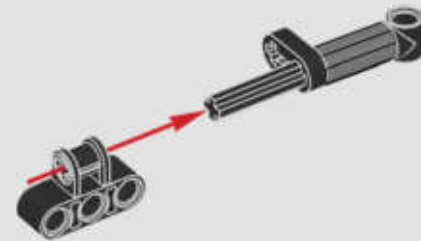
619



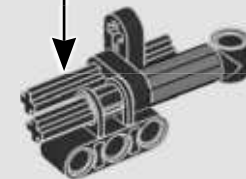
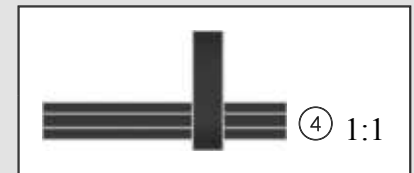
620



621

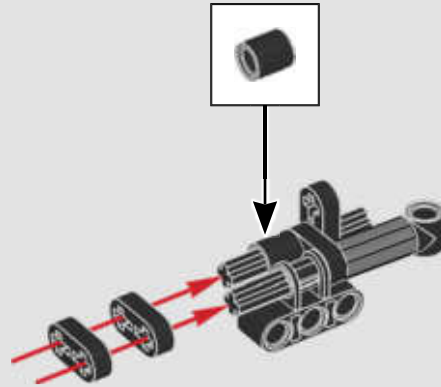


622

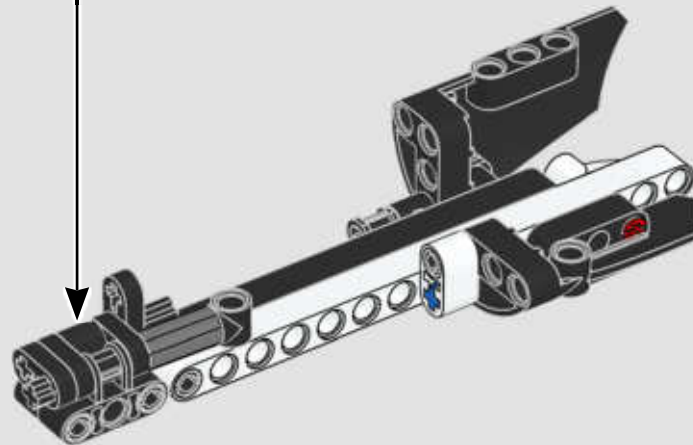


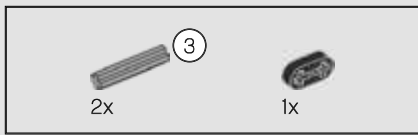


623

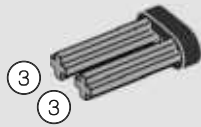
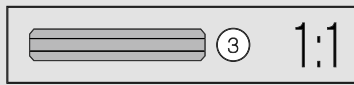


624

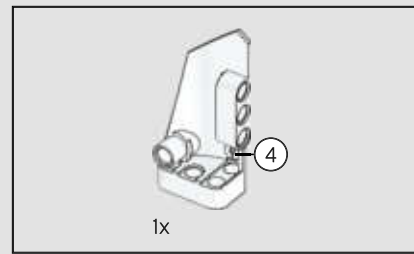
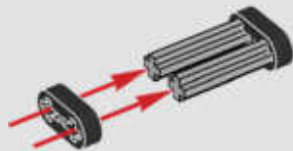




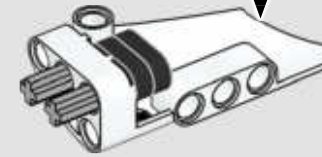
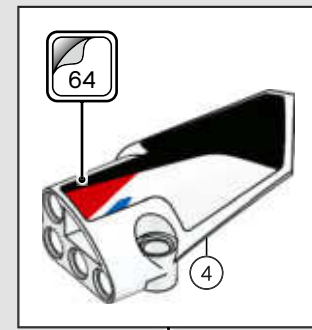
625



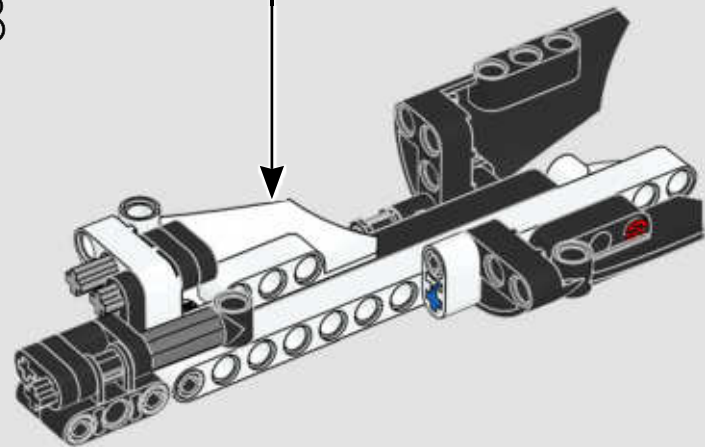
626

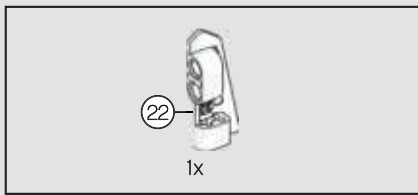


627

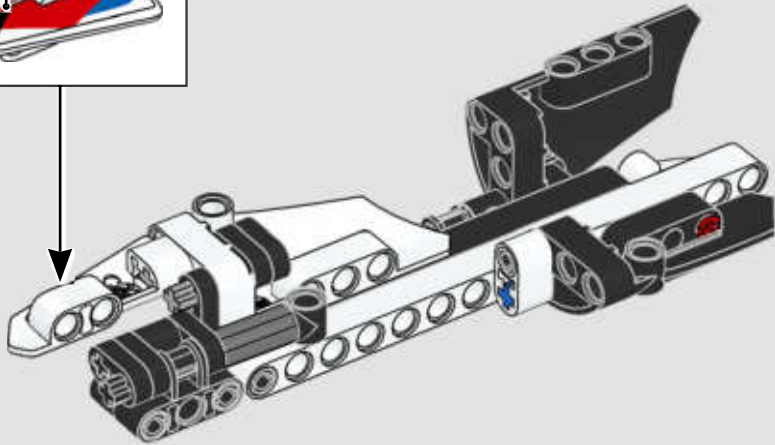
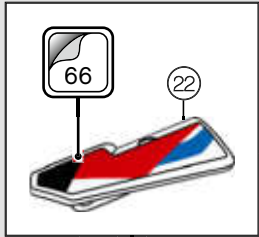


628

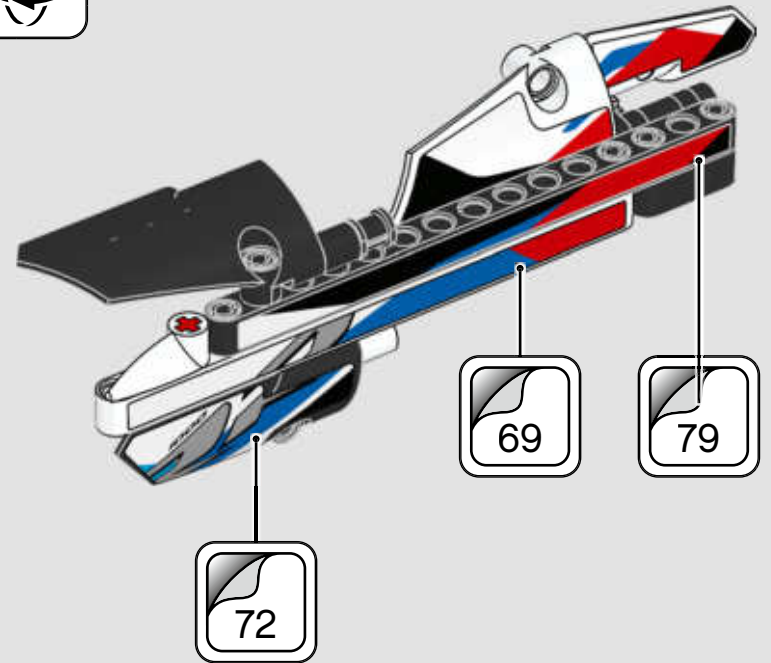
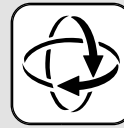


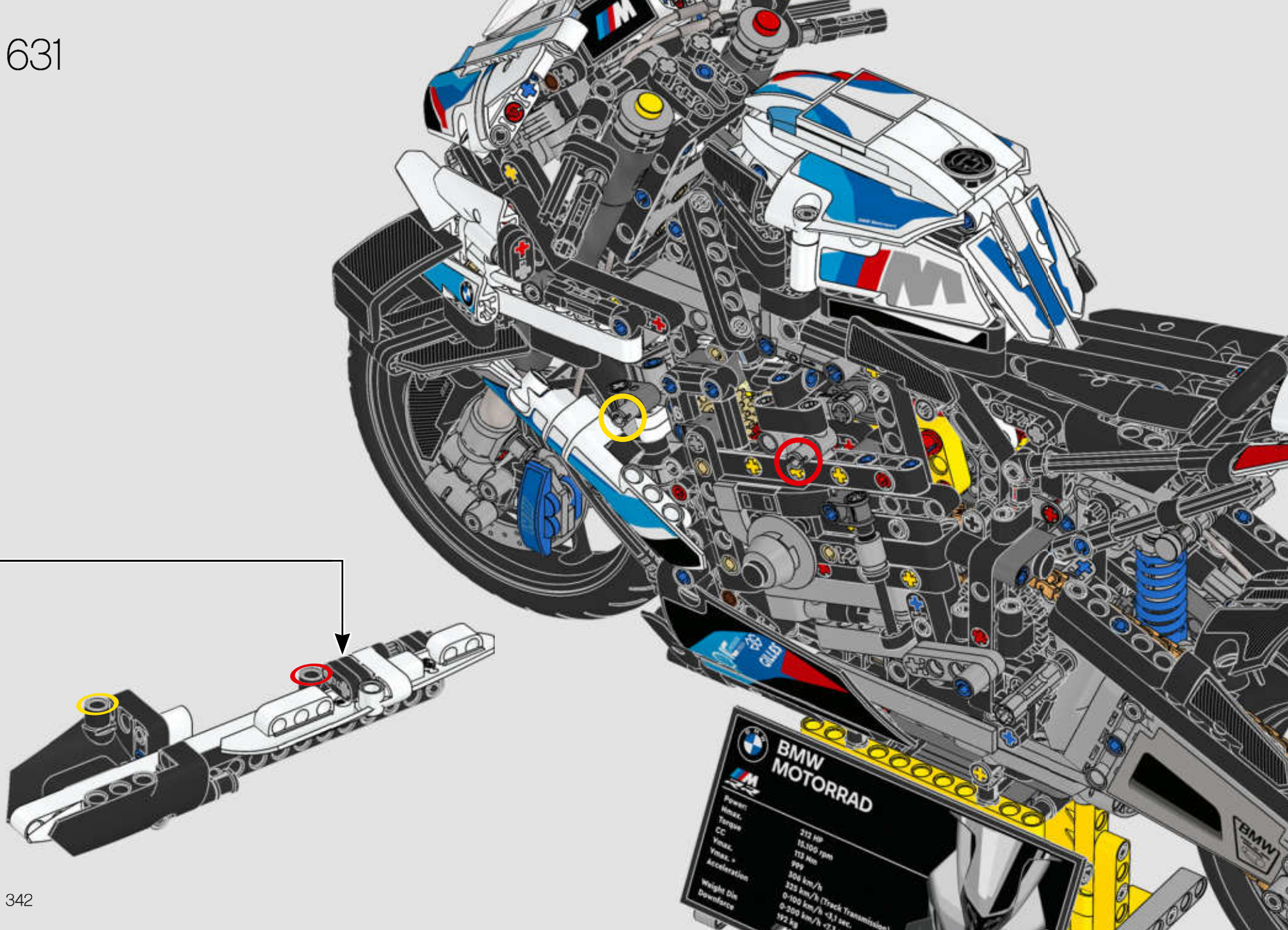


629

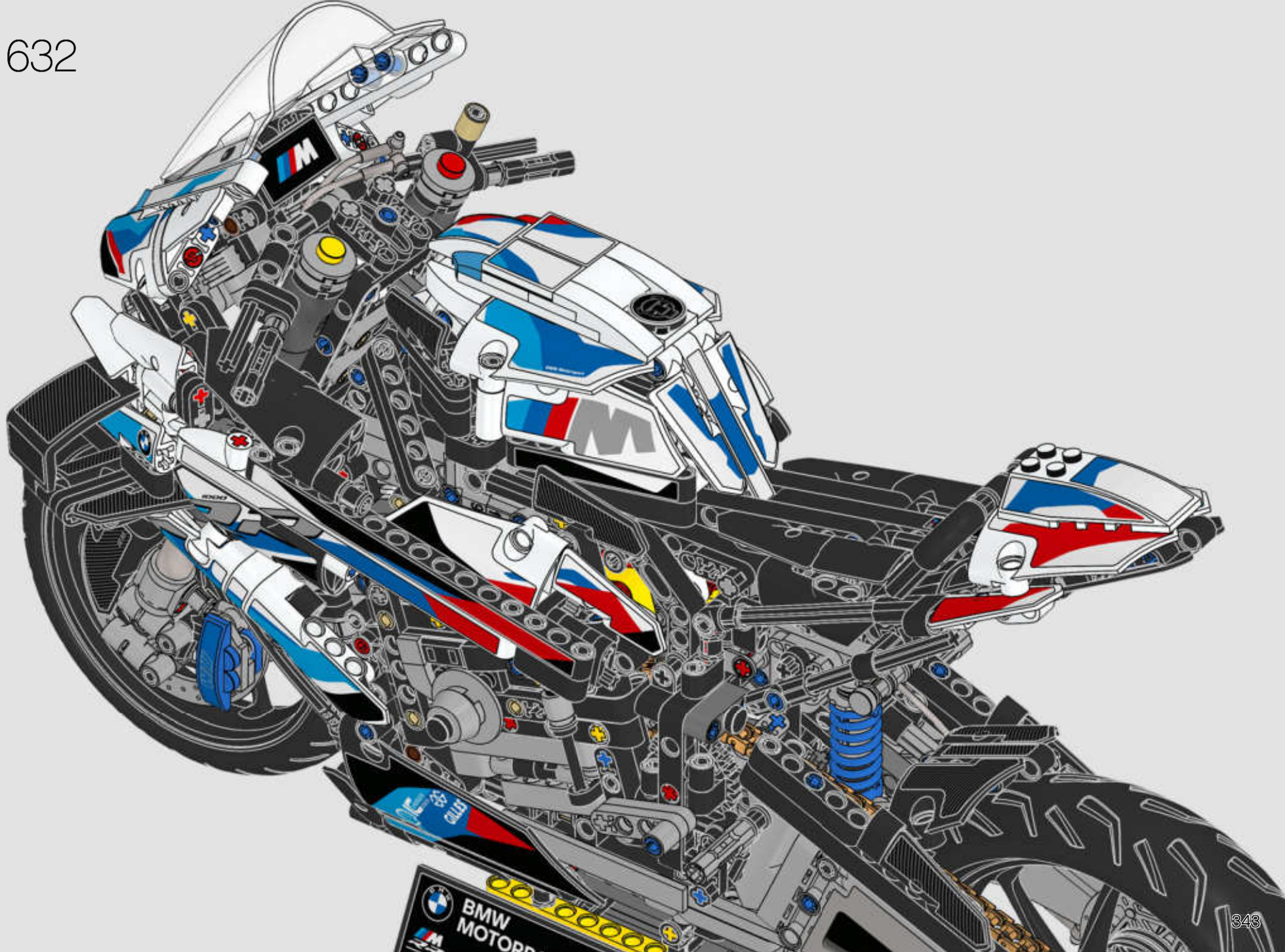


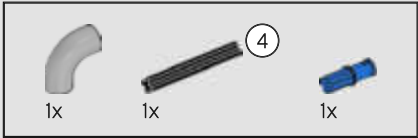
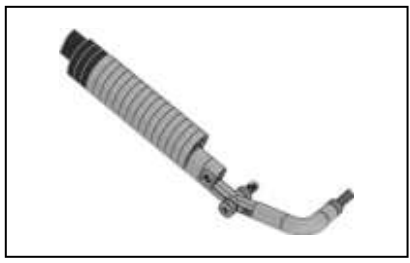
630



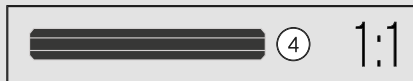
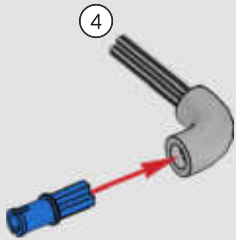


632

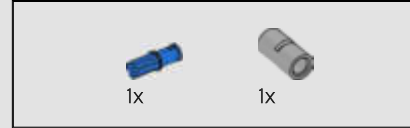
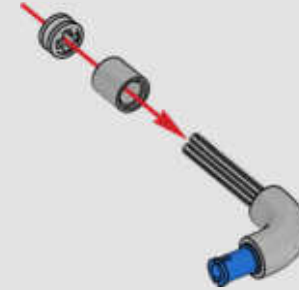




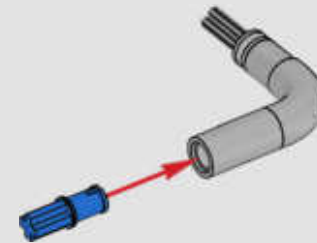
633

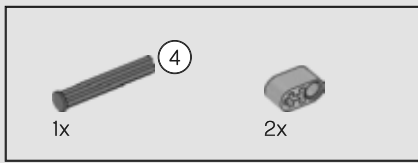


634

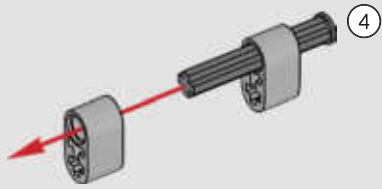


635

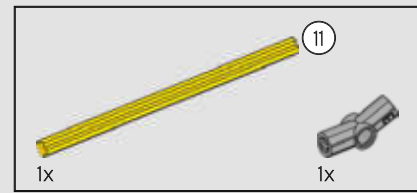
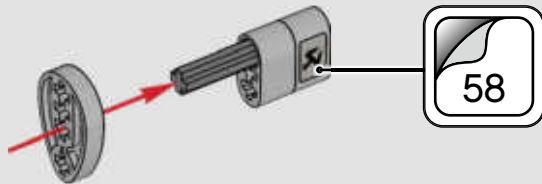




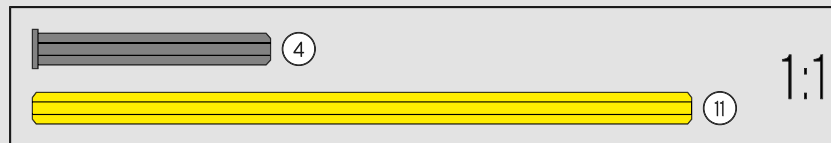
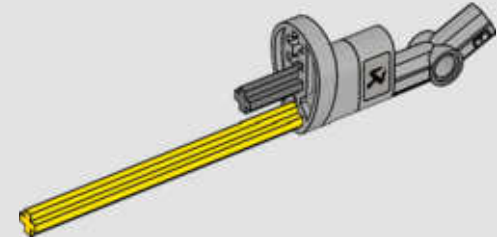
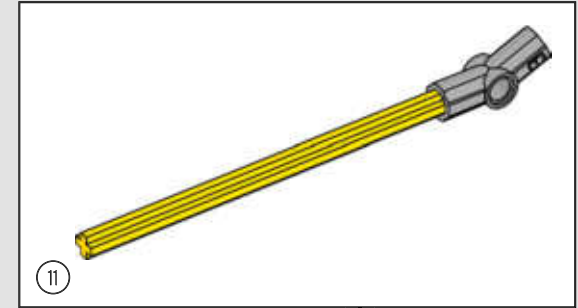
636



637



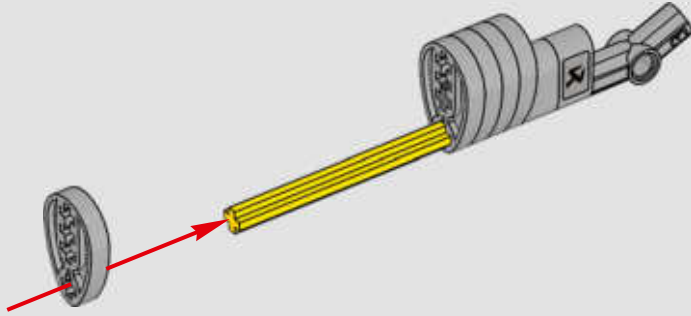
638





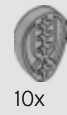
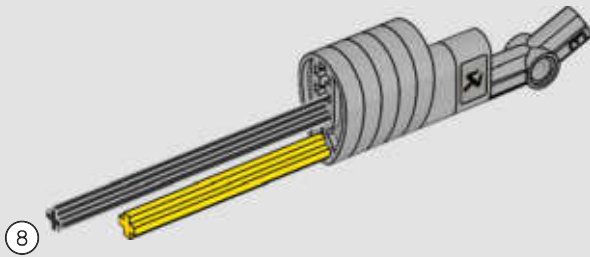
4x

639



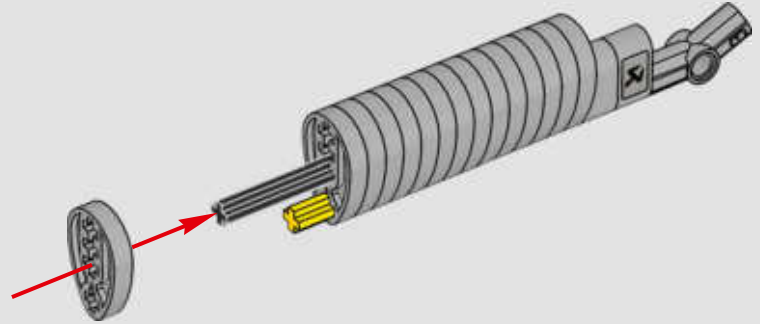
1x

640



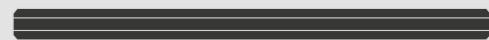
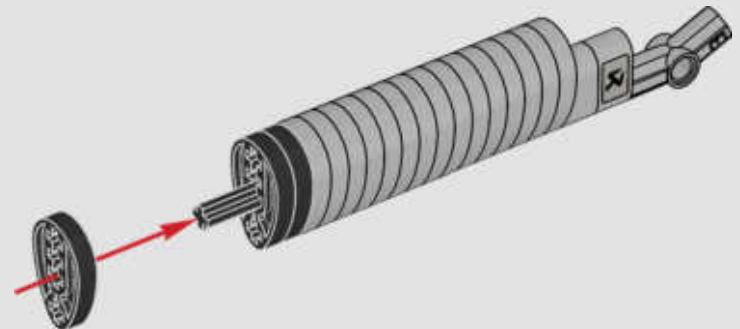
10x

641



3x

642

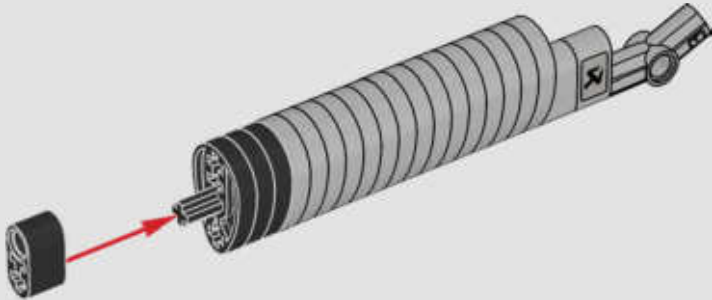


8

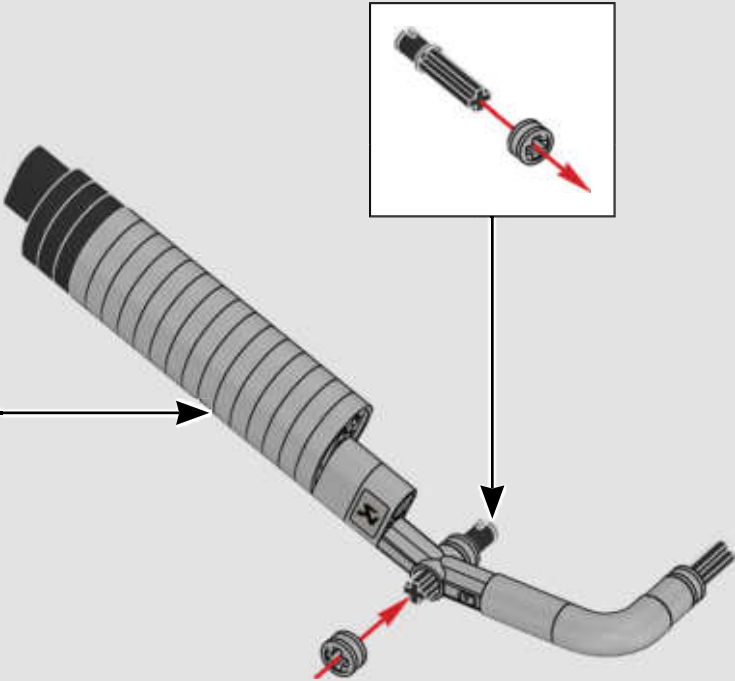
1:1



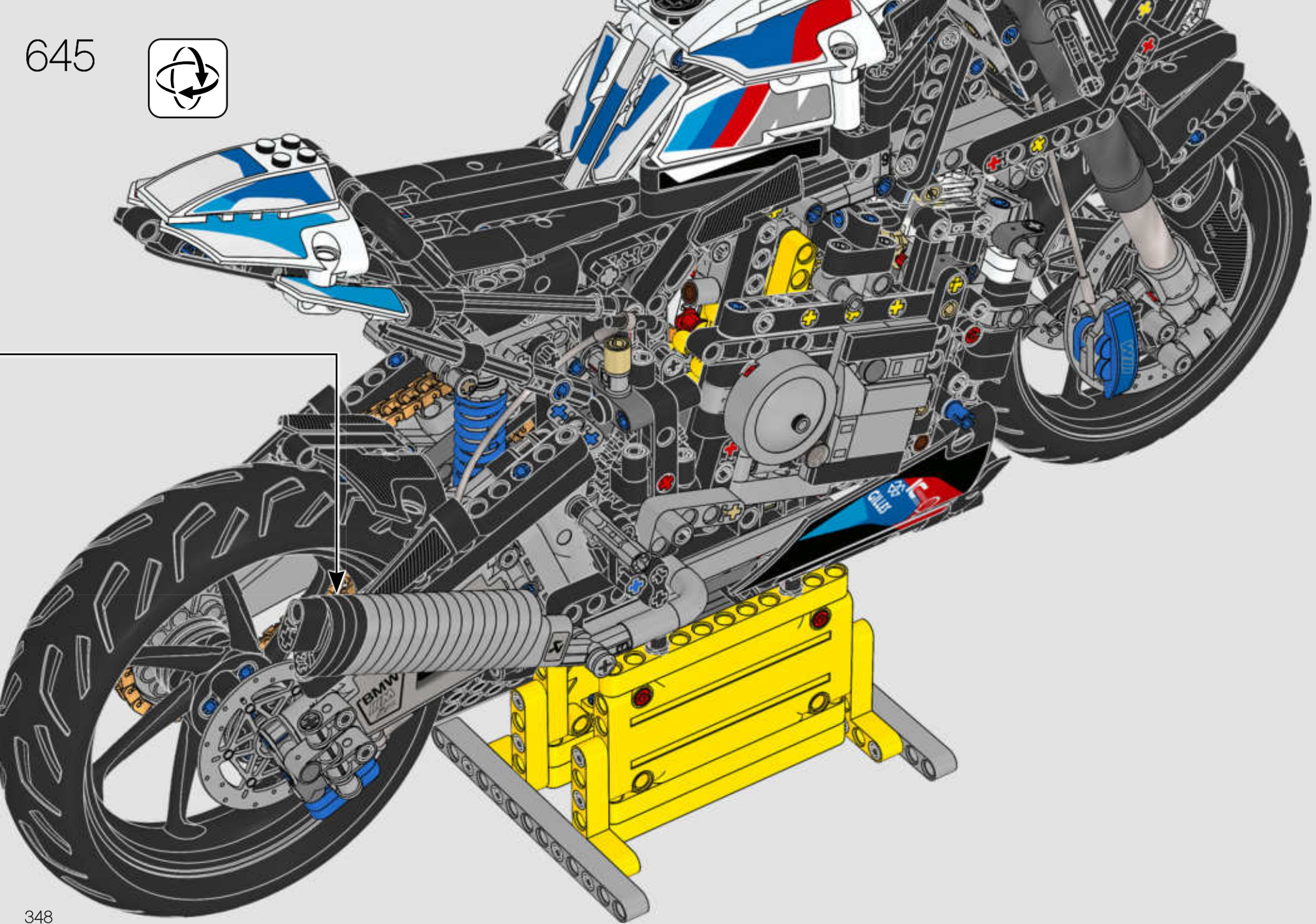
643

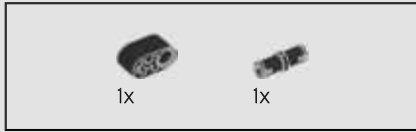
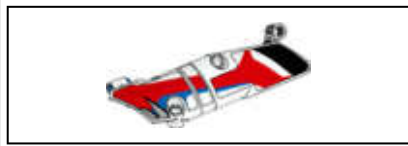


644



645

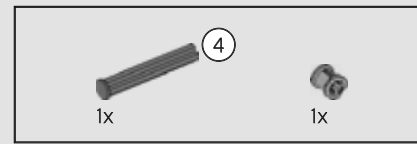
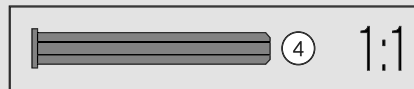
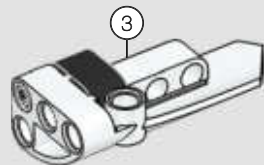




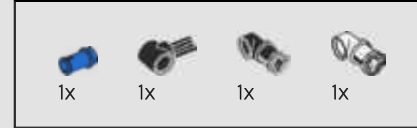
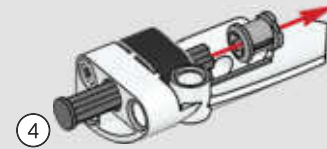
646



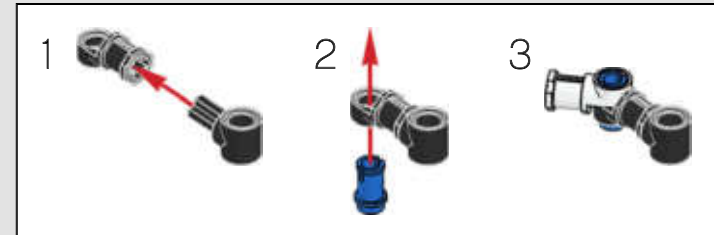
647

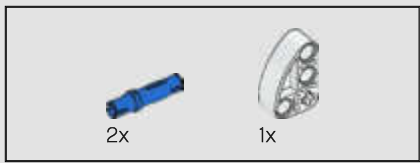


648

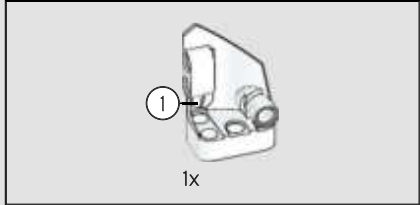
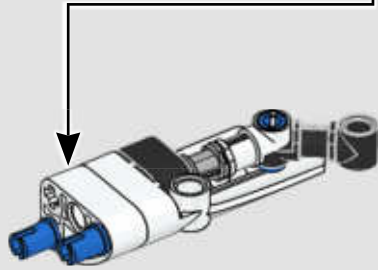
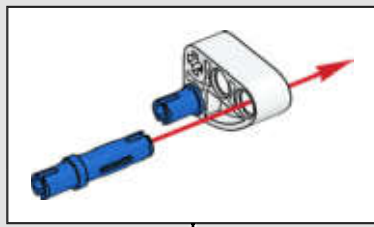


649

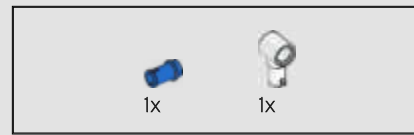
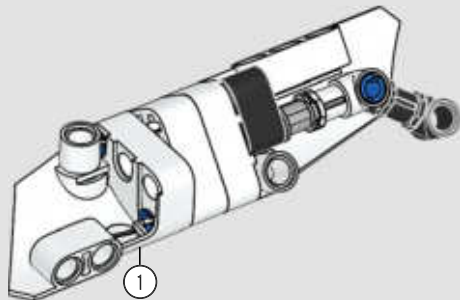




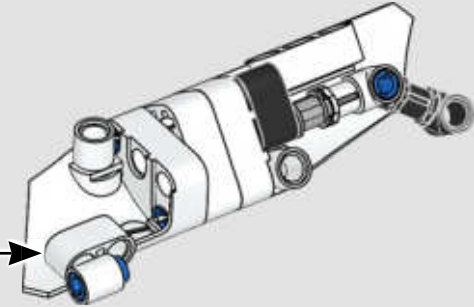
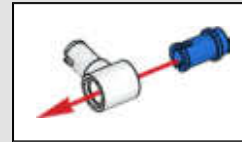
650



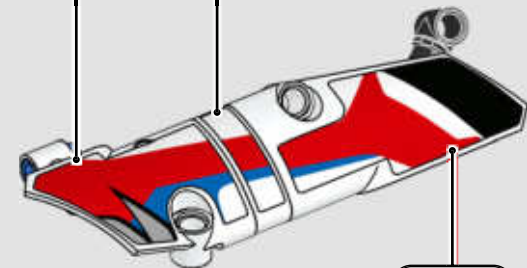
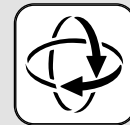
651



652

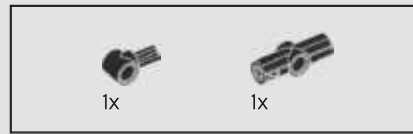
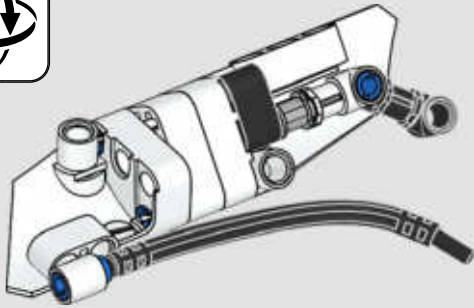


653

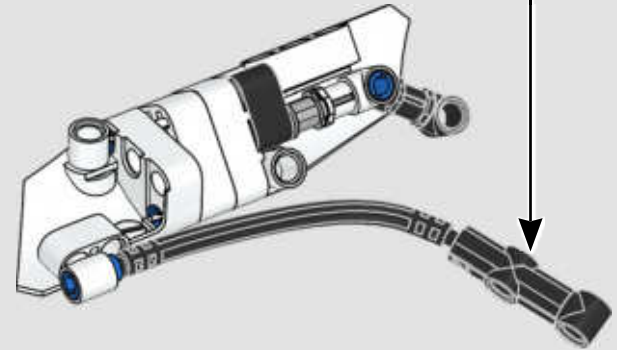
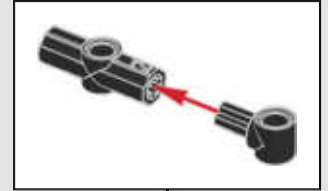


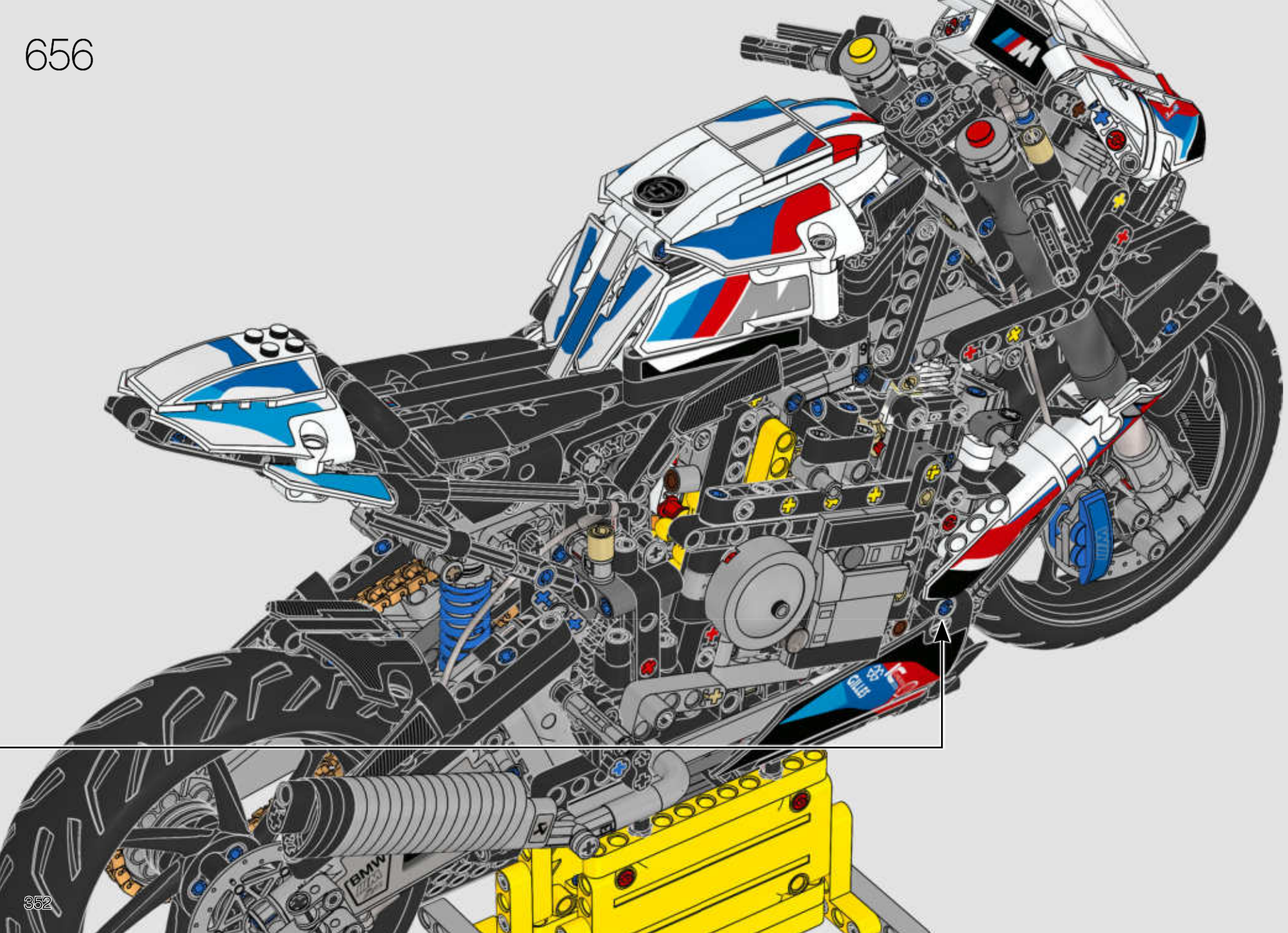


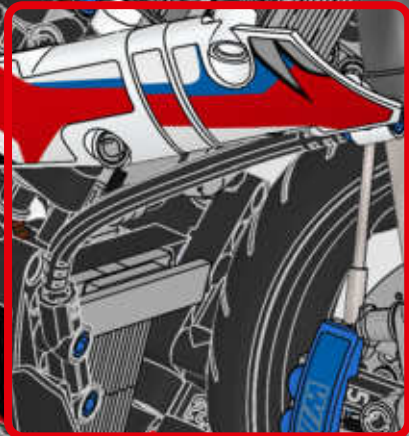
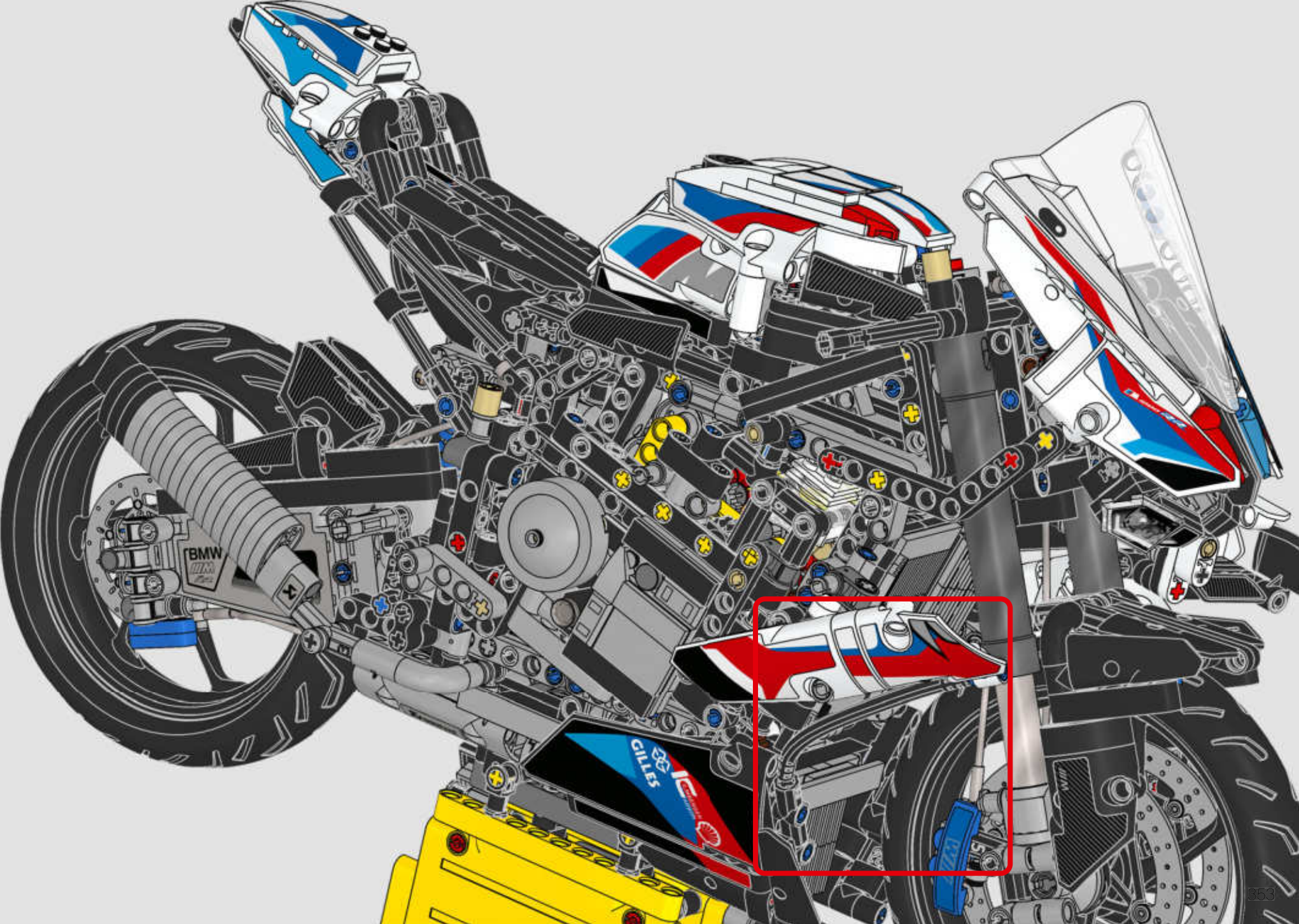
654

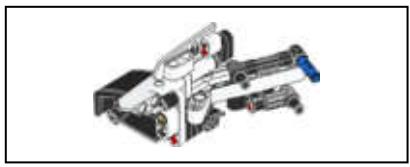


655

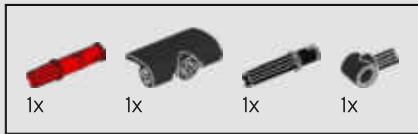
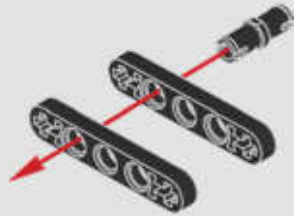




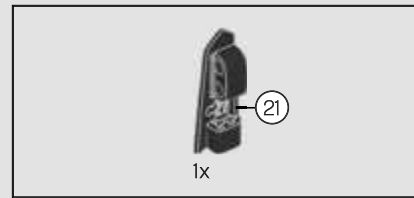
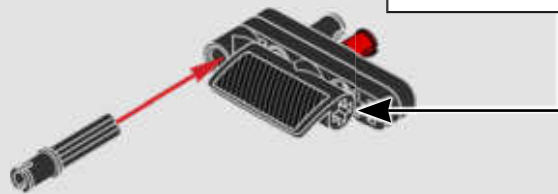
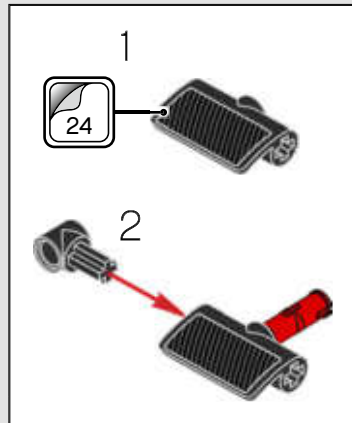




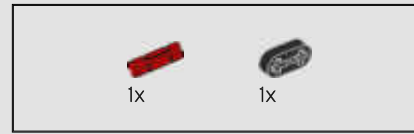
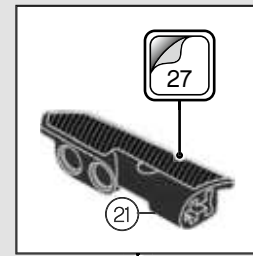
657



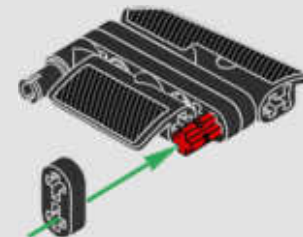
658

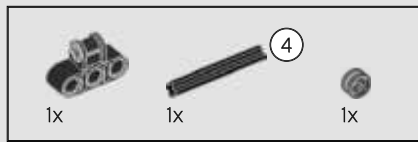


659

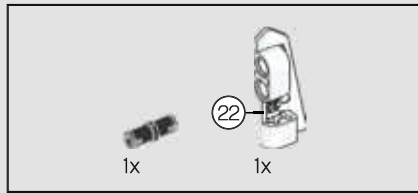
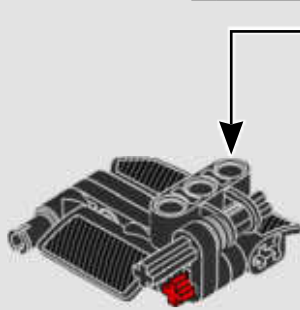
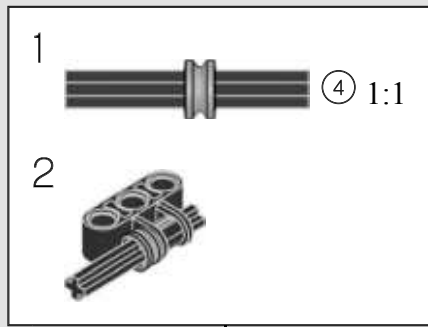


660

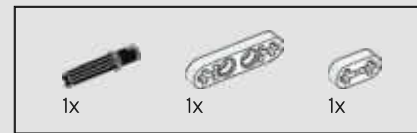
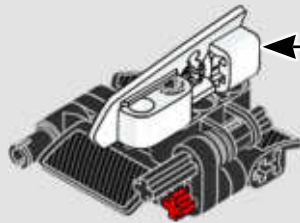
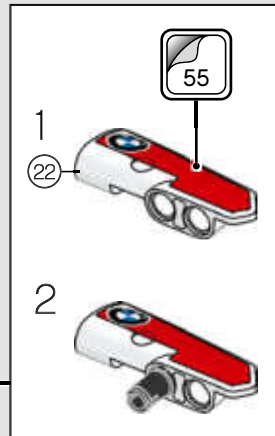




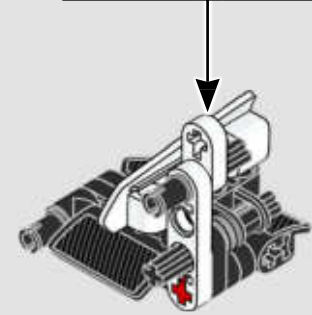
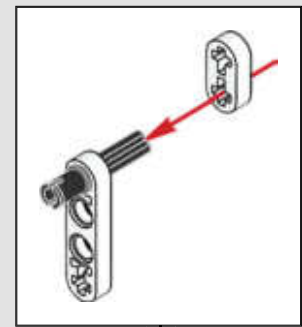
661



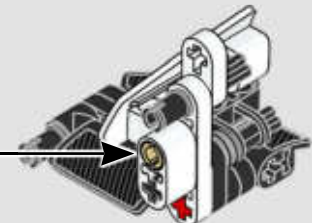
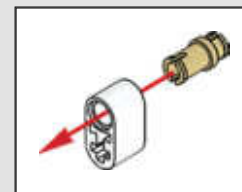
662

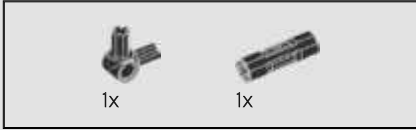


663

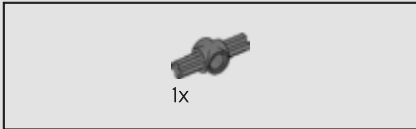


664





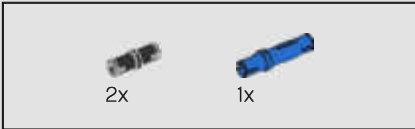
665



666

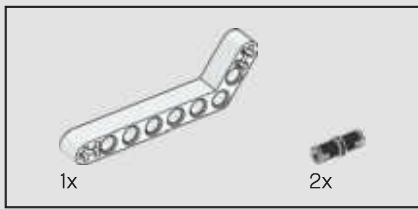


667

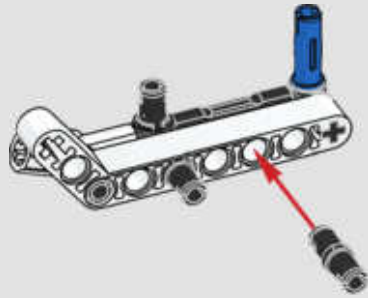


668

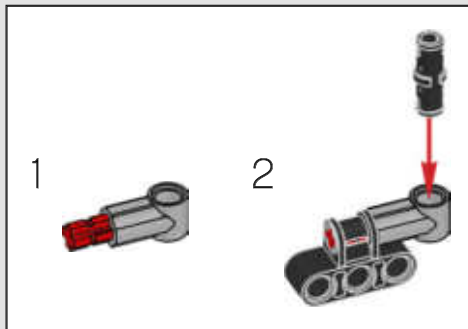




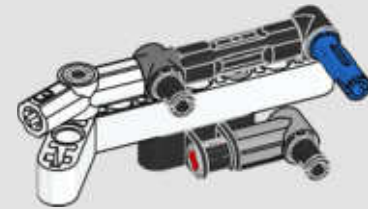
669



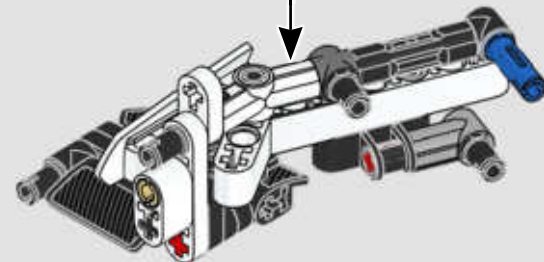
670



671

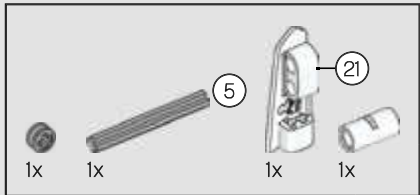
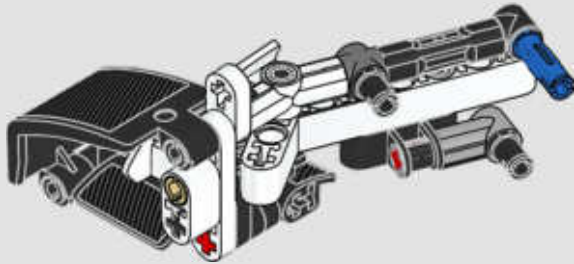
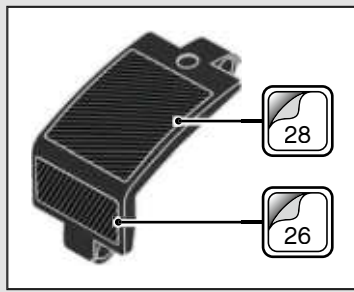


672

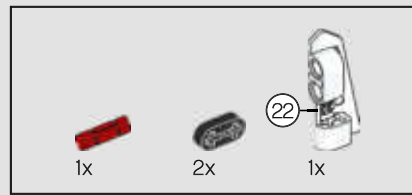
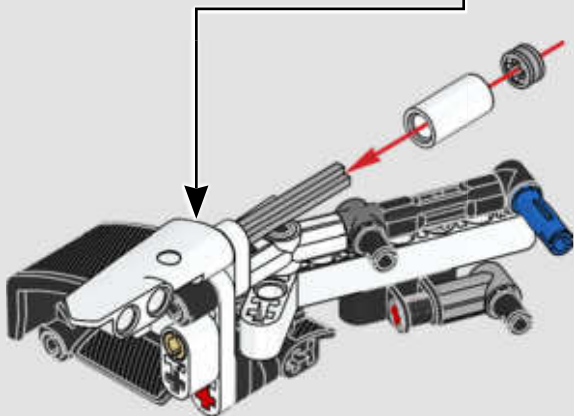
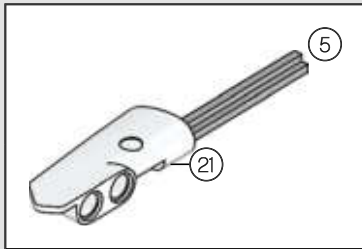




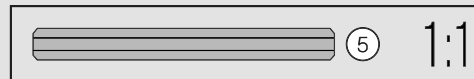
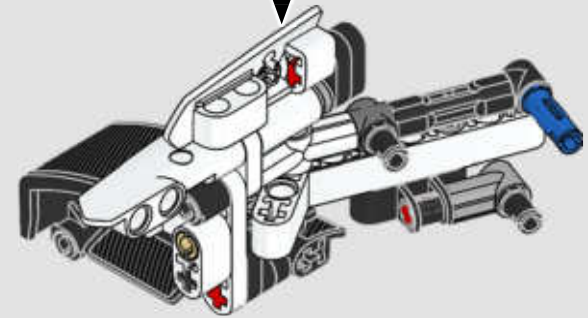
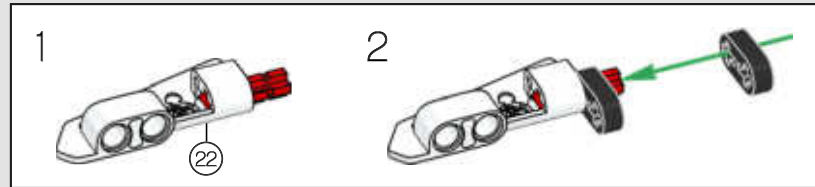
673



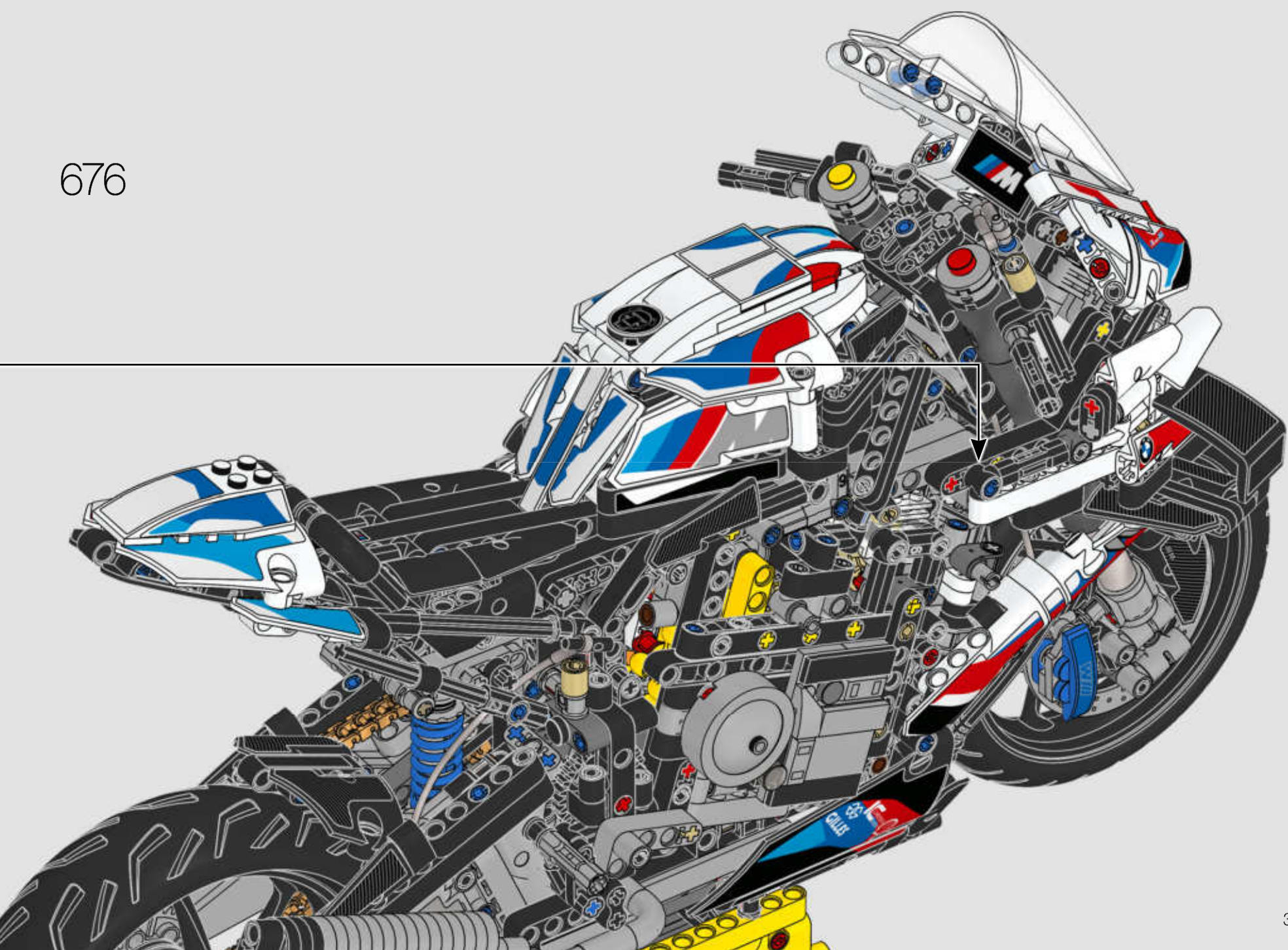
674

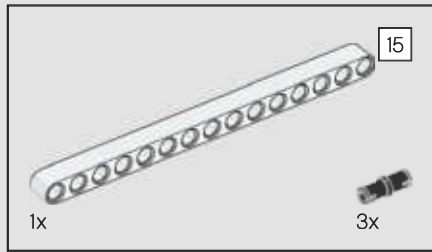
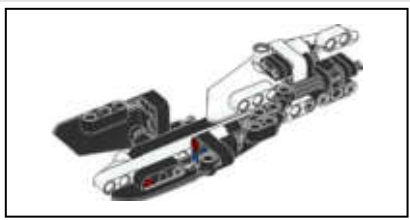


675

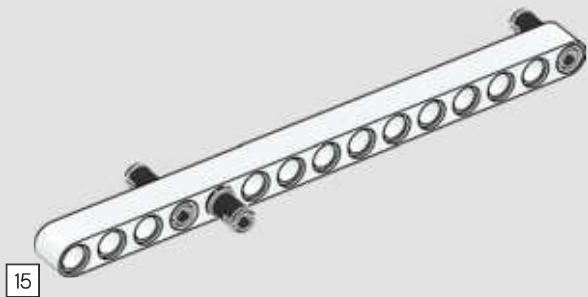


676

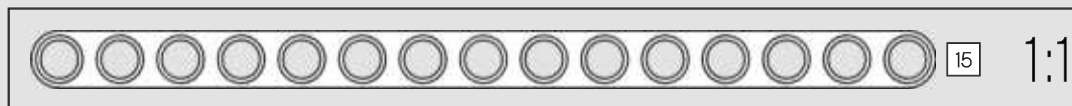
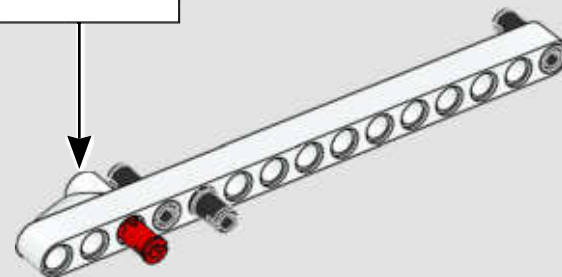


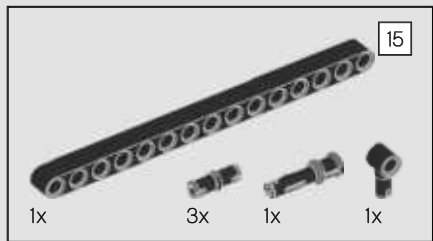


677



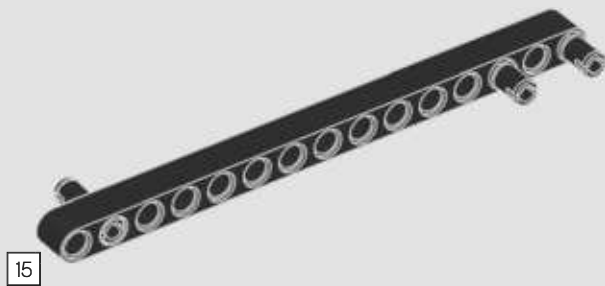
678





679

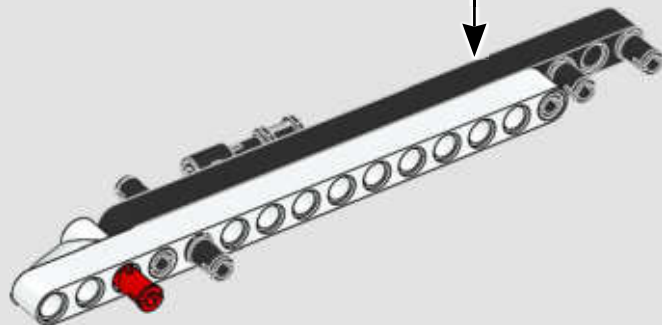
1

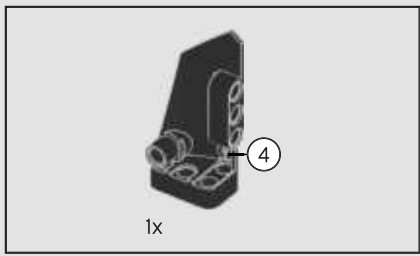


2

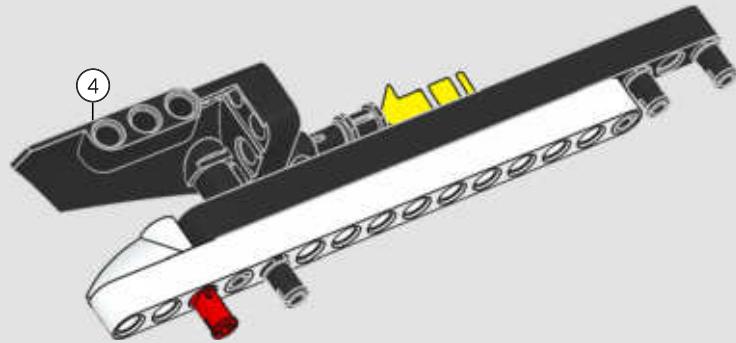


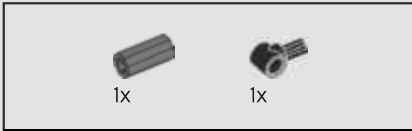
680



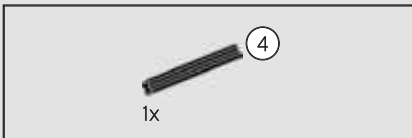
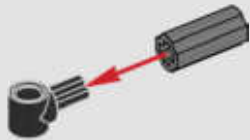


681

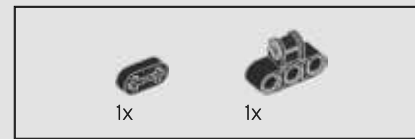
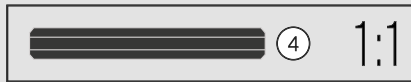




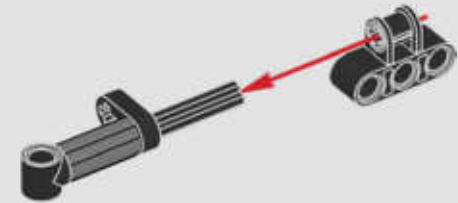
682



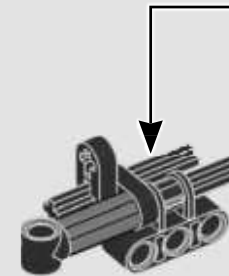
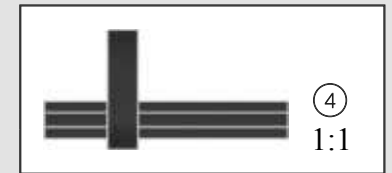
683



684

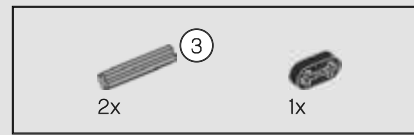
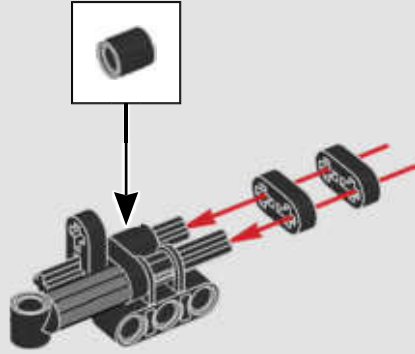


685

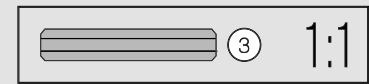
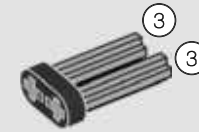




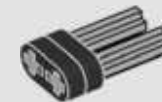
686



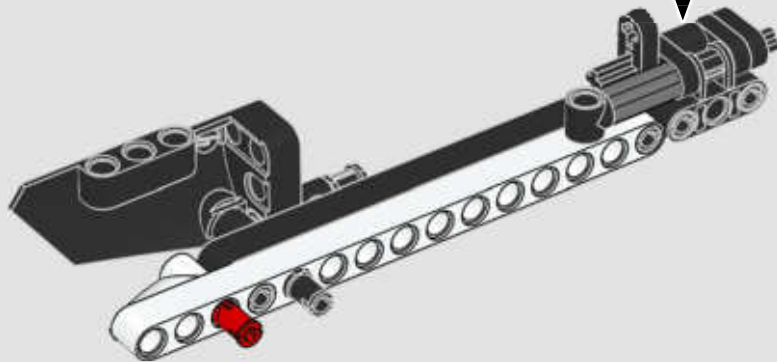
688

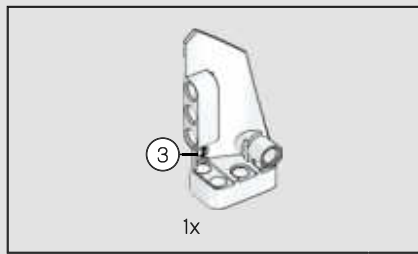


689

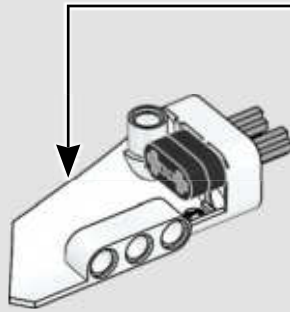
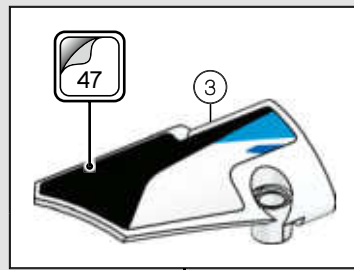


687

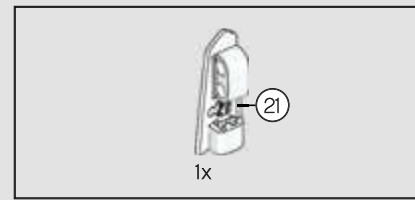
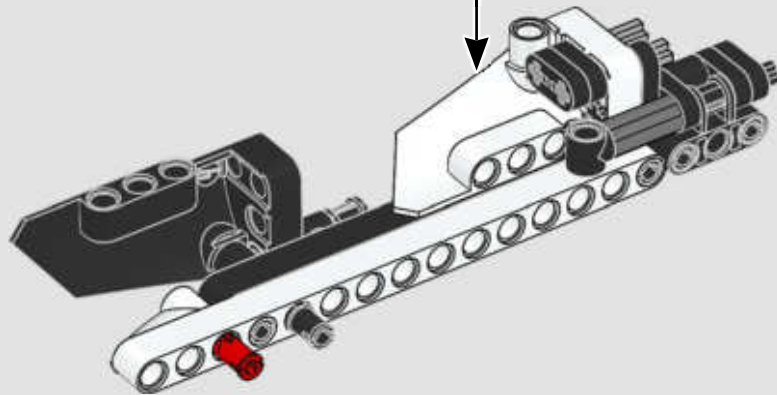




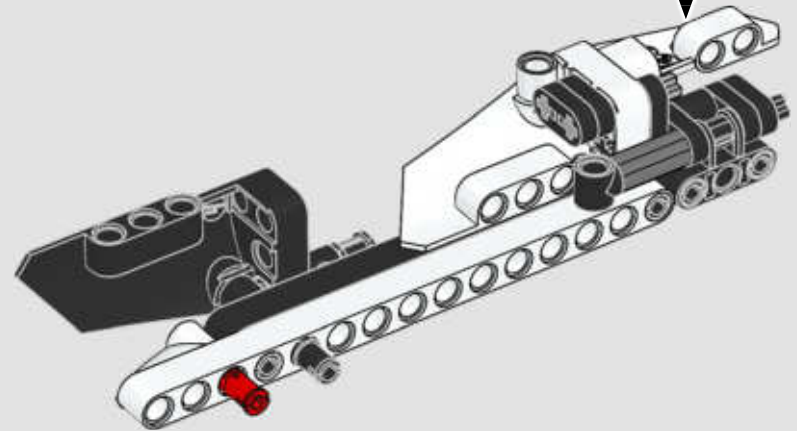
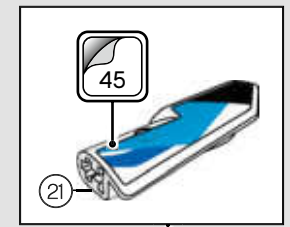
690

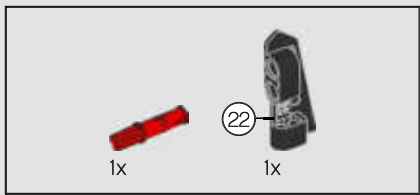


691



692

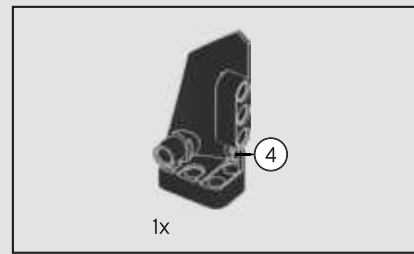
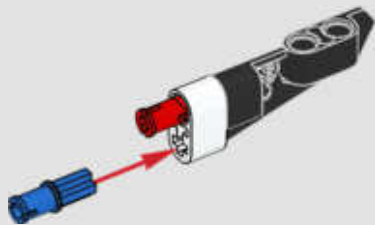




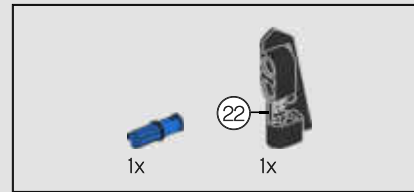
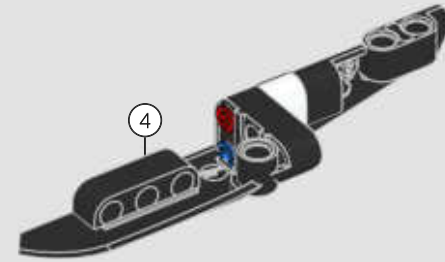
693



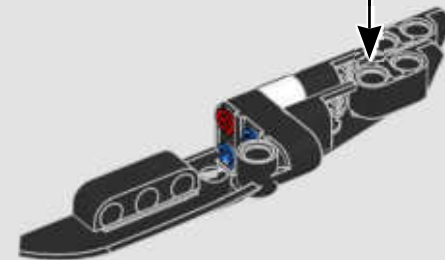
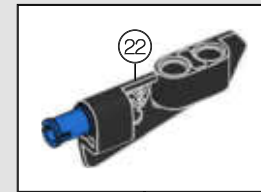
694



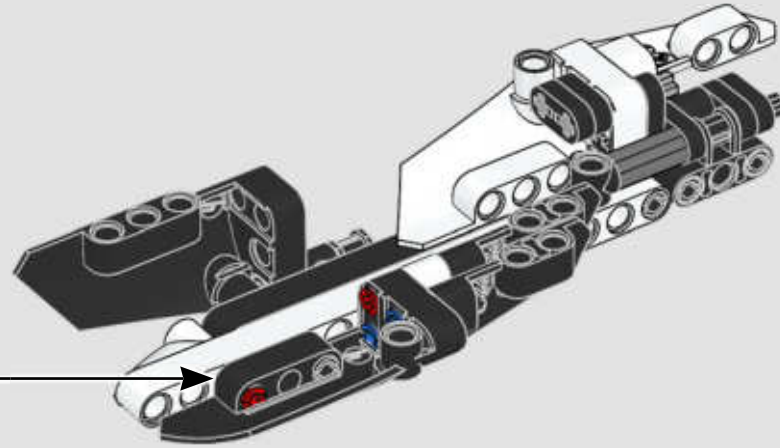
695



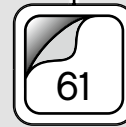
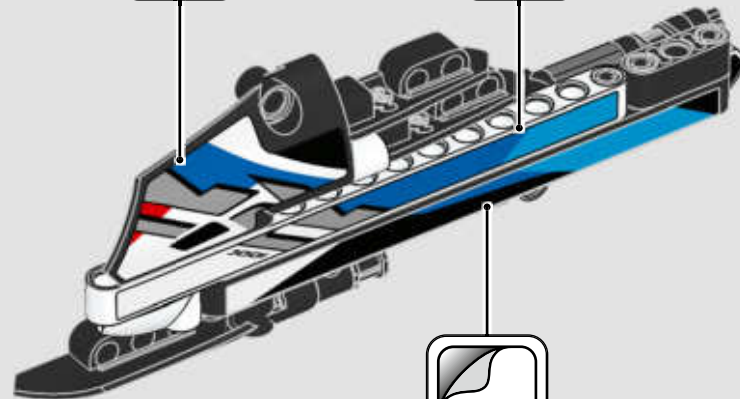
696

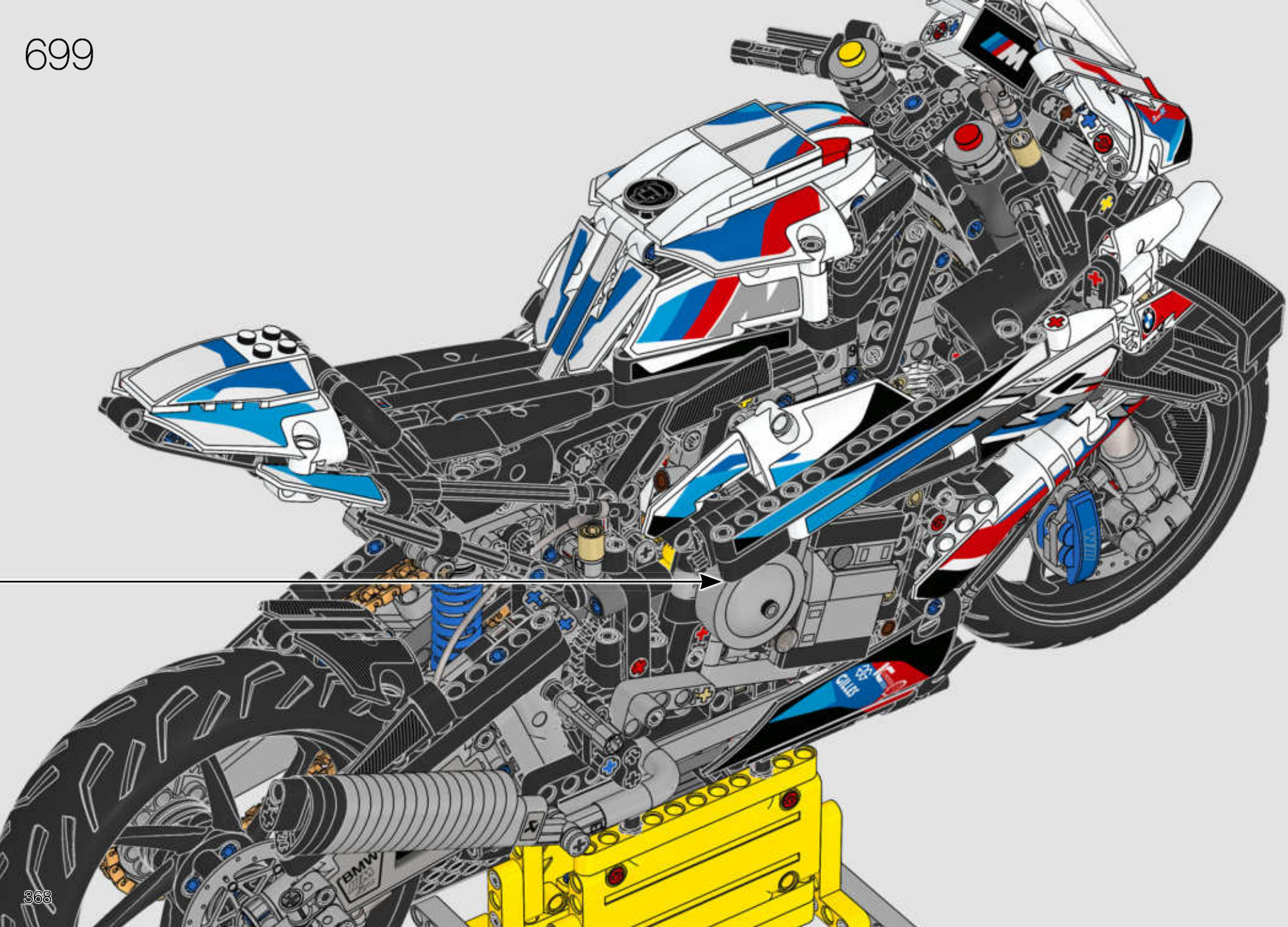


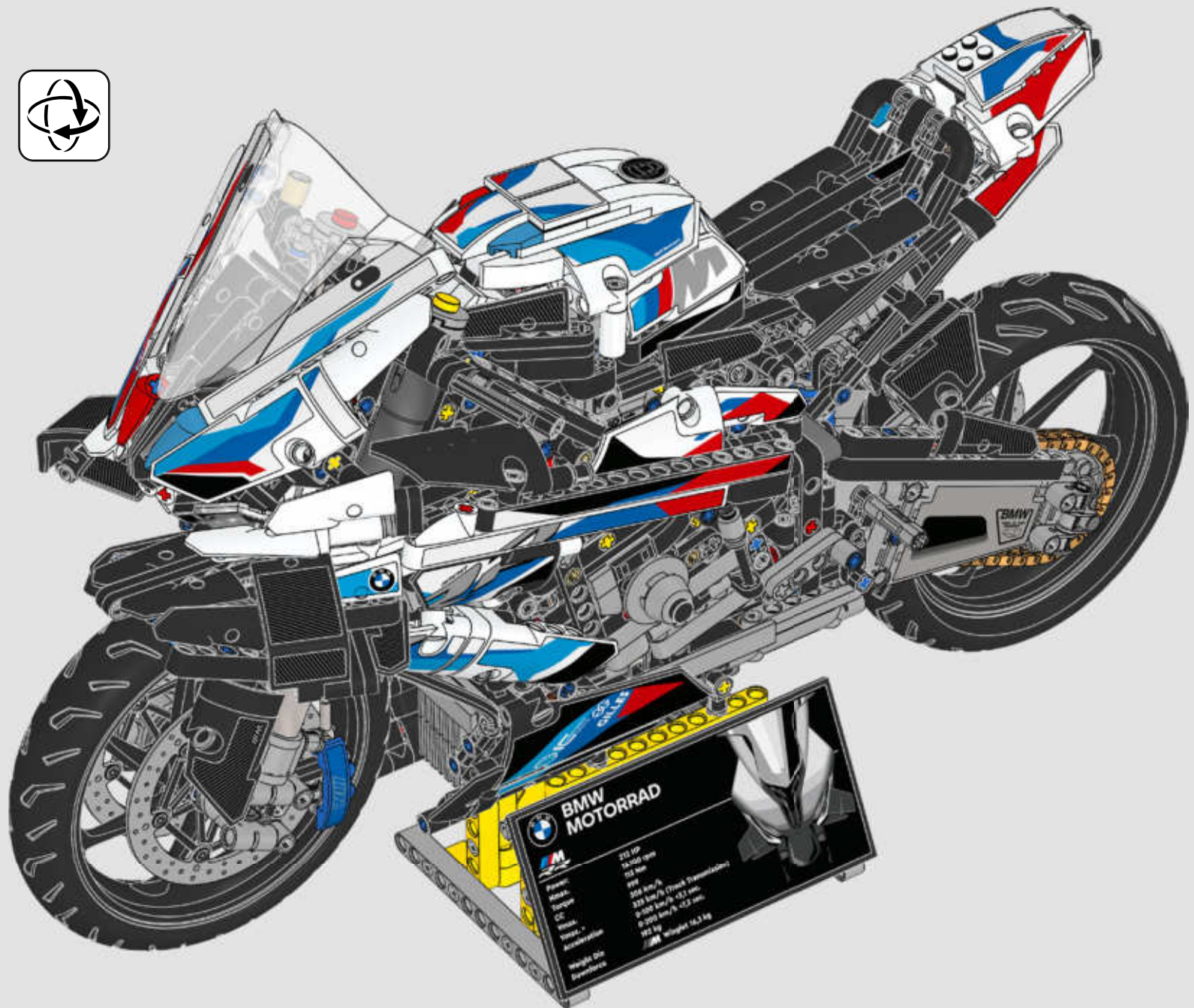
697



698

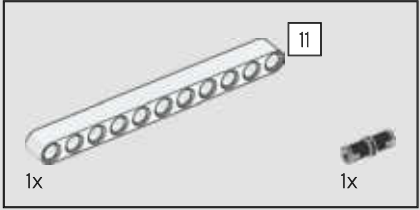
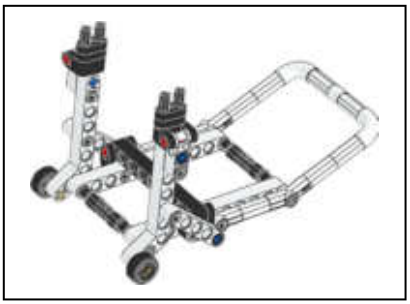




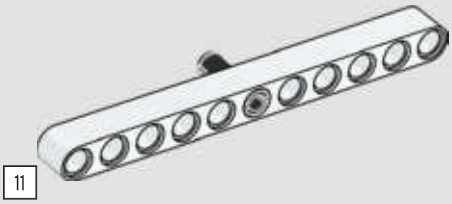


BMW MOTORRAD

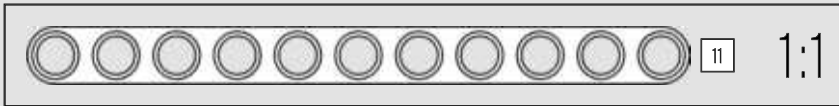
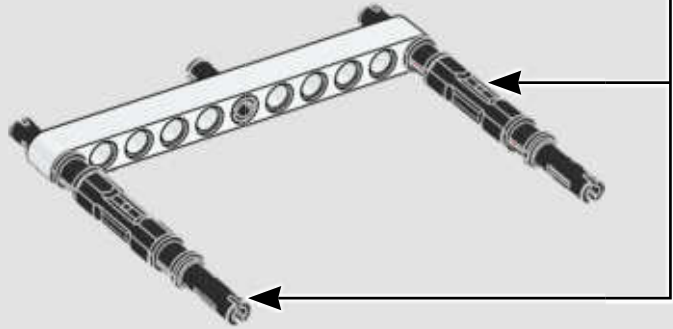
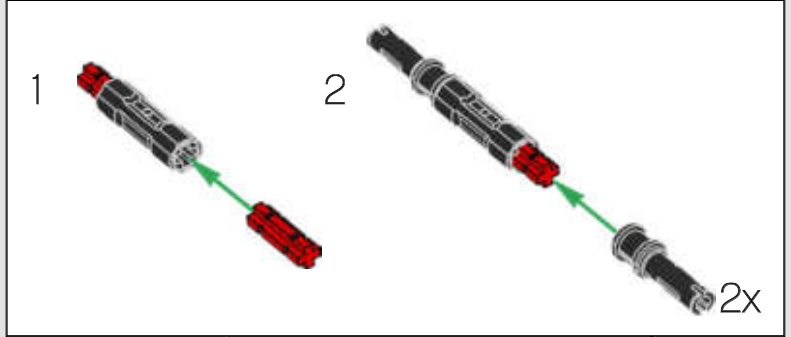
Power	210 HP
Speed	16,000 rpm
Max. Torque	110 Nm
CC	199
0-100 km/h	3.08 sec. (Track Transmission)
0-100 km/h	4.1 sec.
Weight	162 kg
Weight (Dry)	147.2 kg

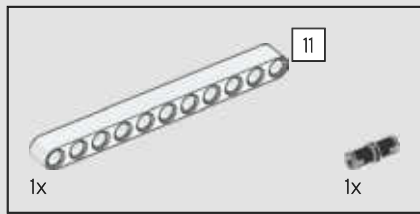


1

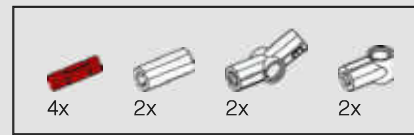
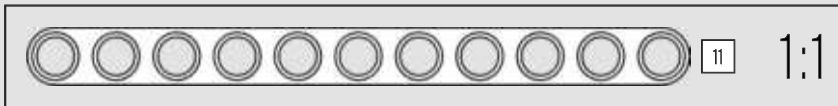
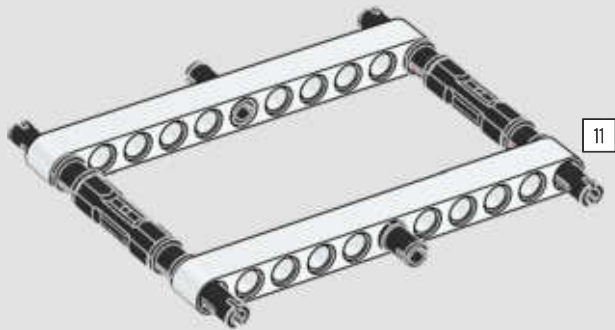


2

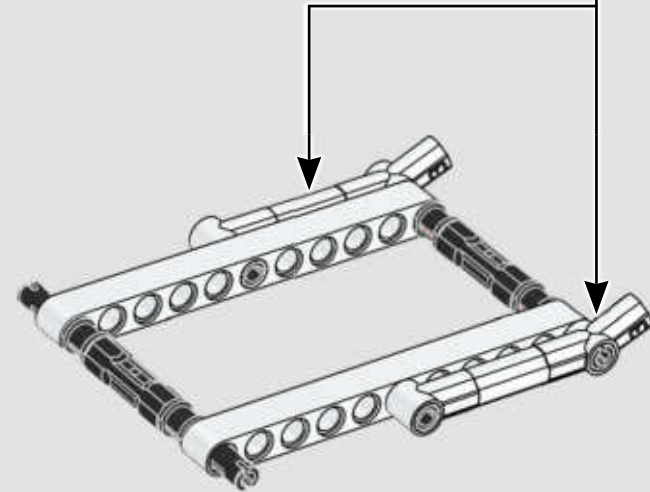
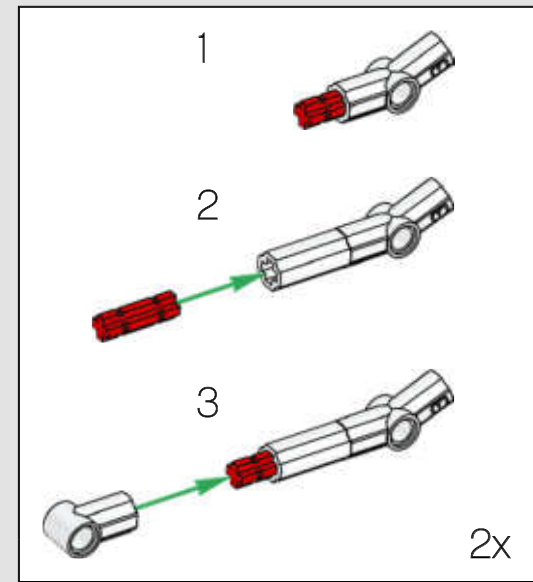




3

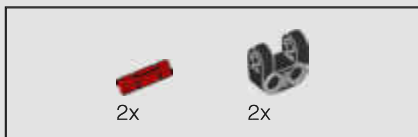
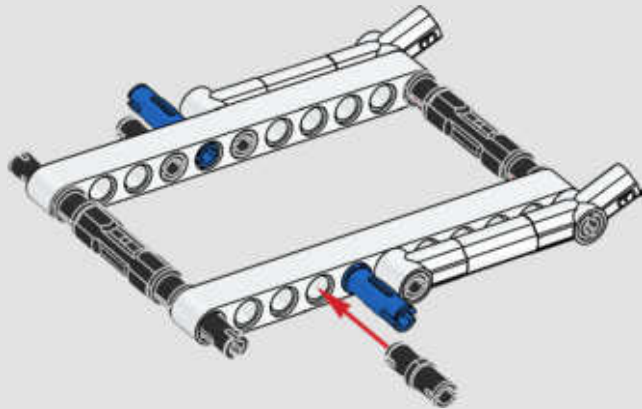


4

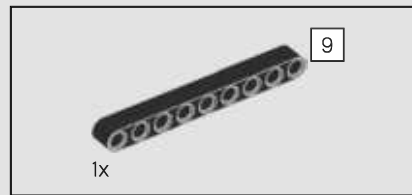
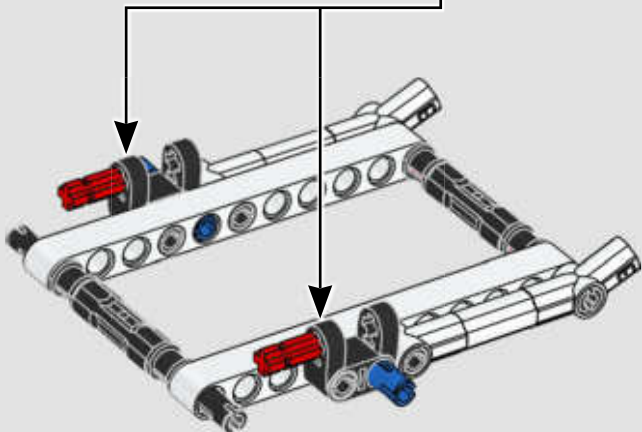




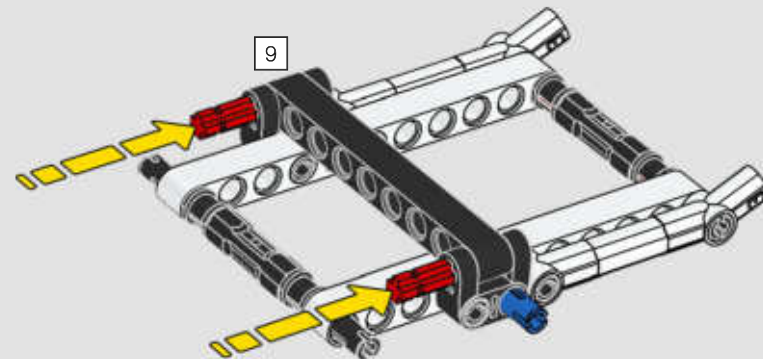
5

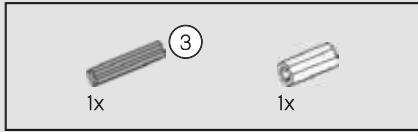
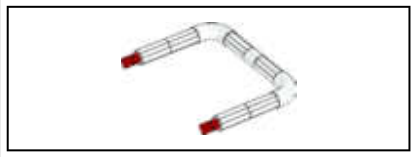


6



7

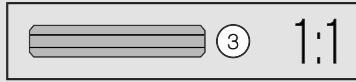
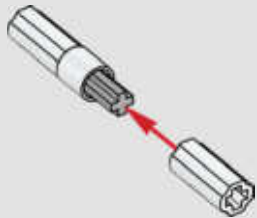




8



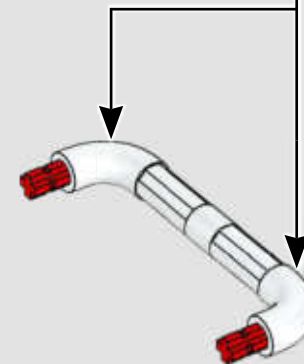
9



10

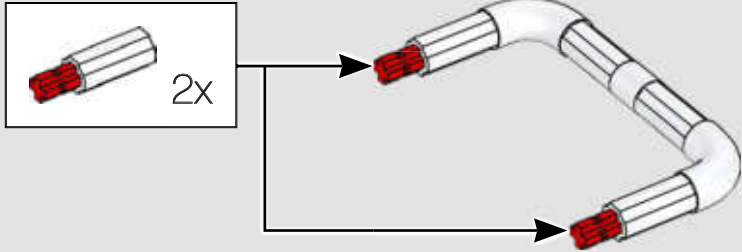


11

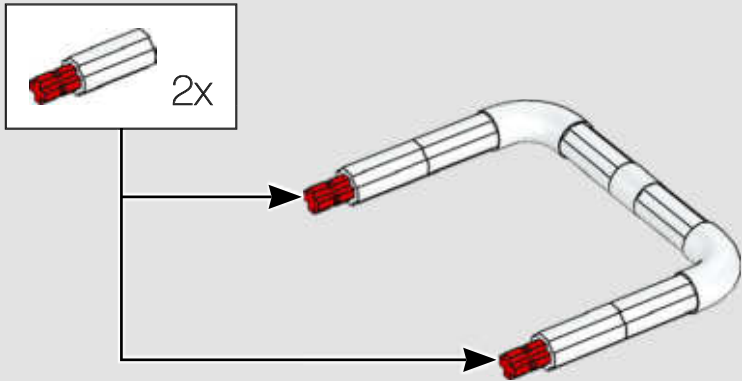




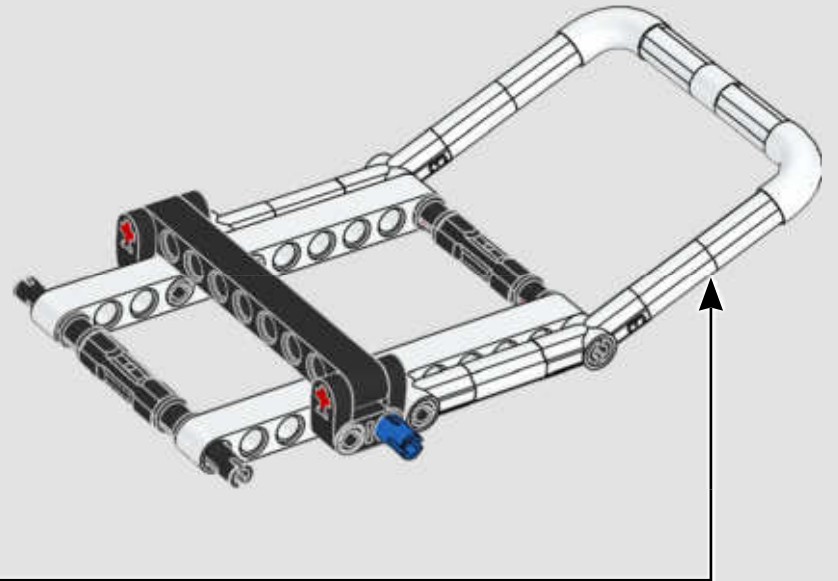
12

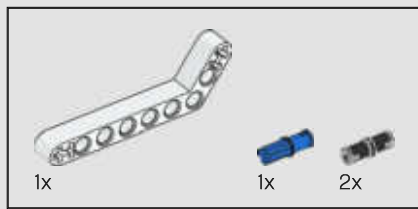


13

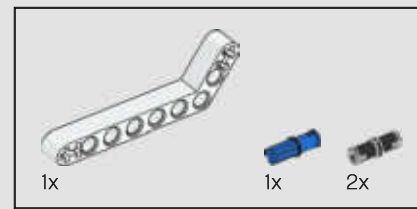
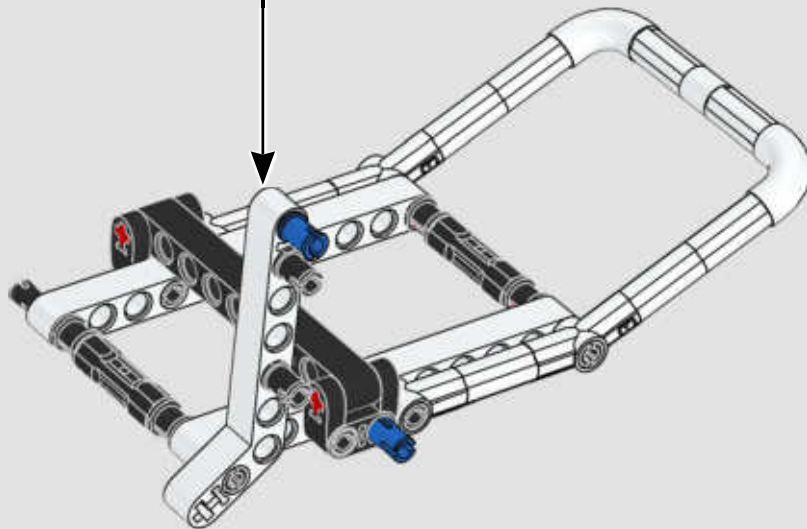
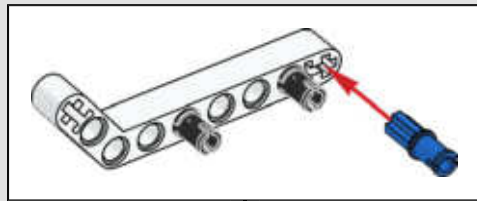


14

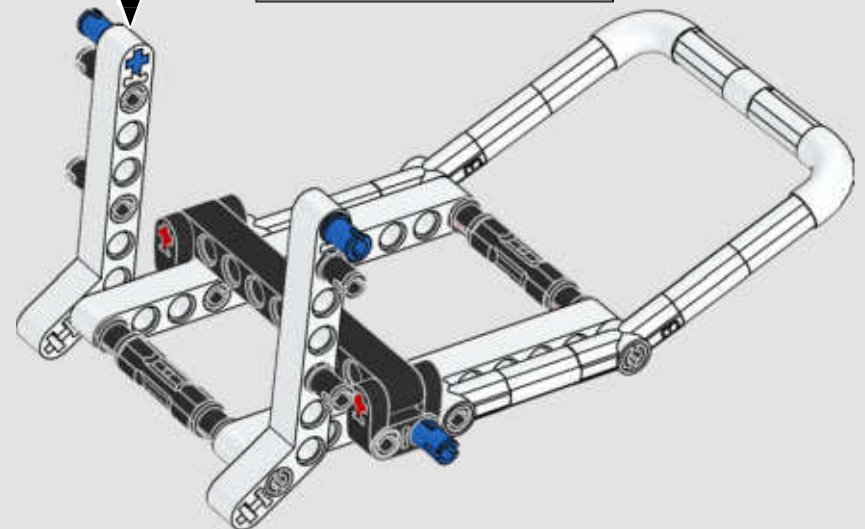
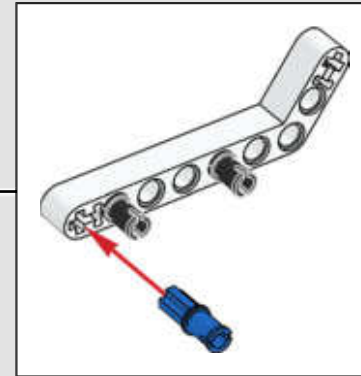


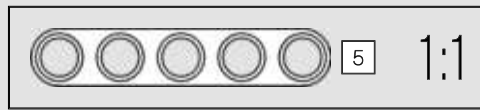
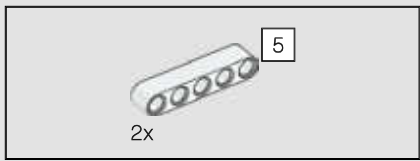


15

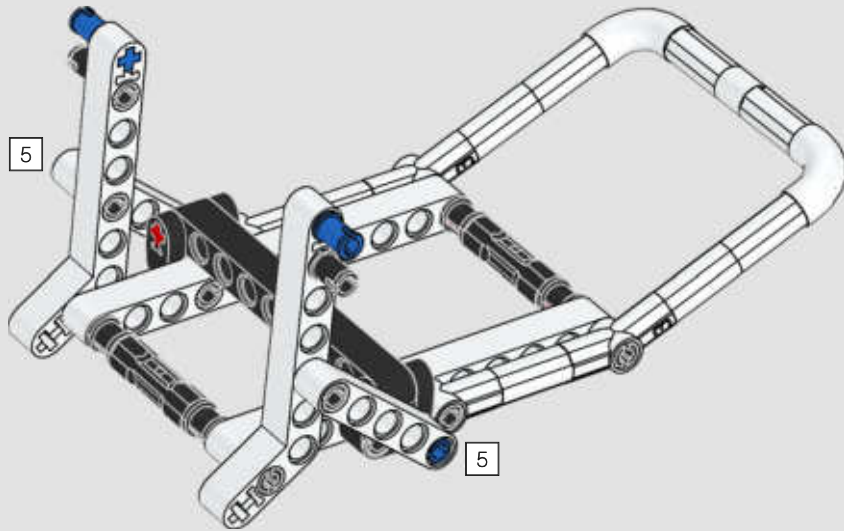


16

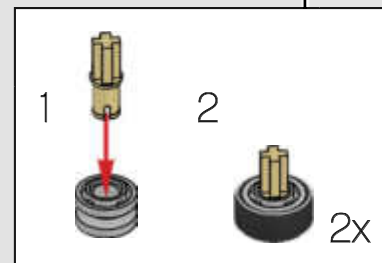
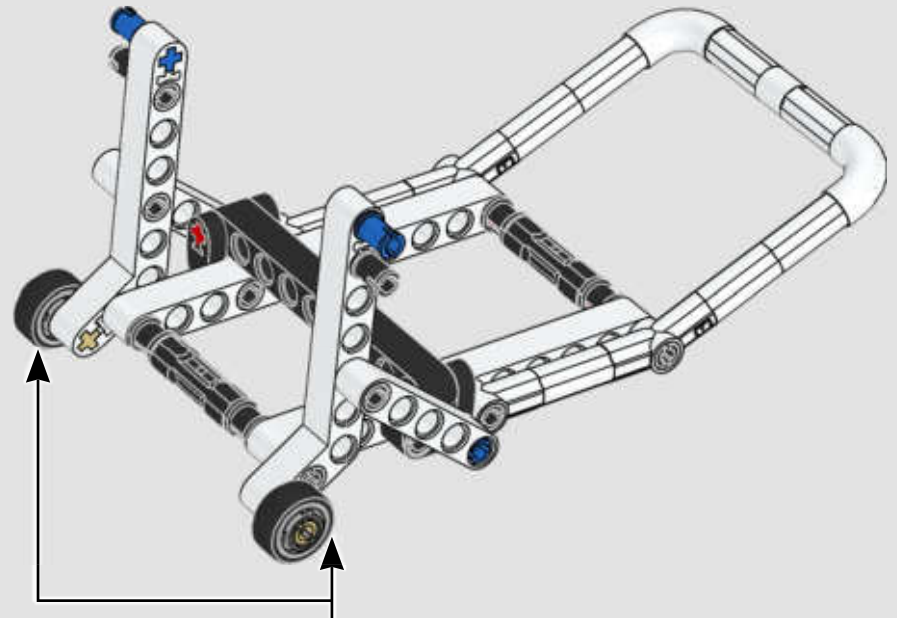




17

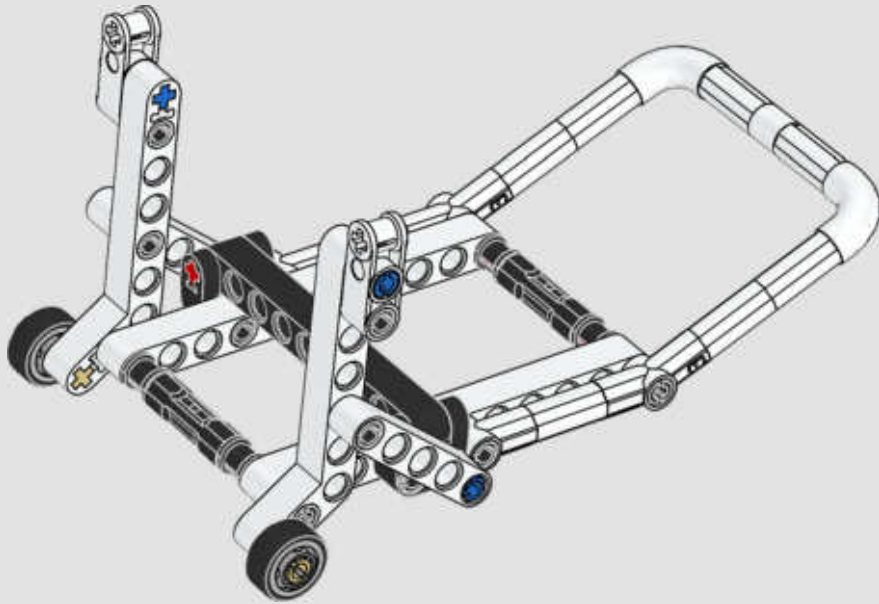


18

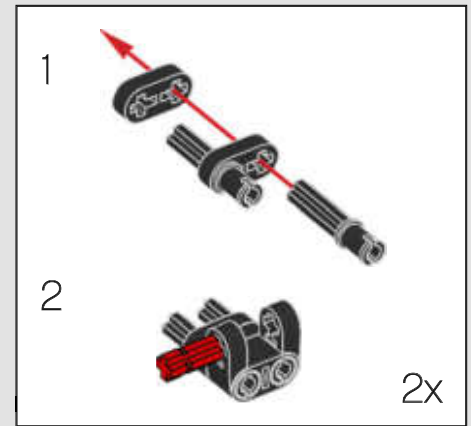
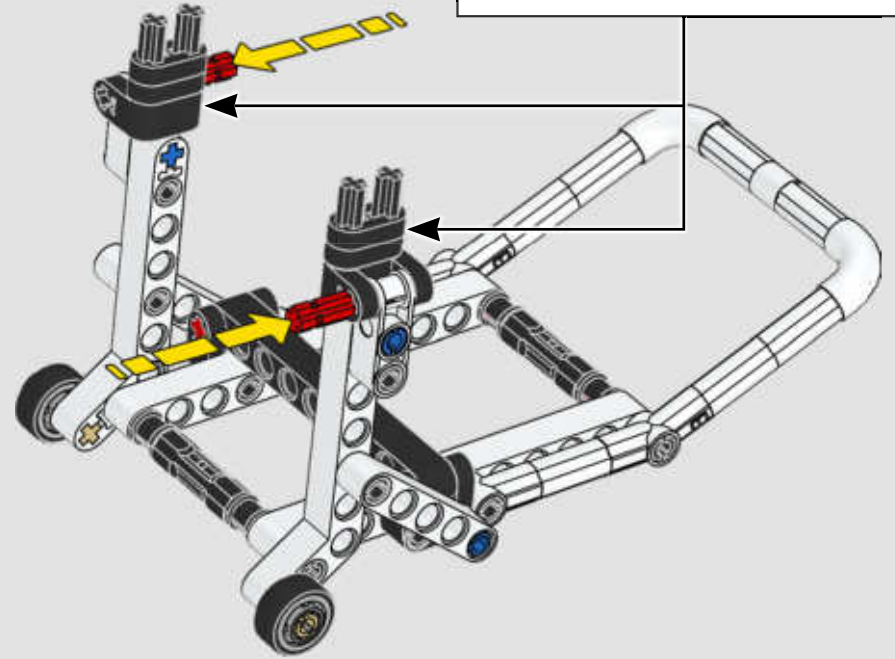


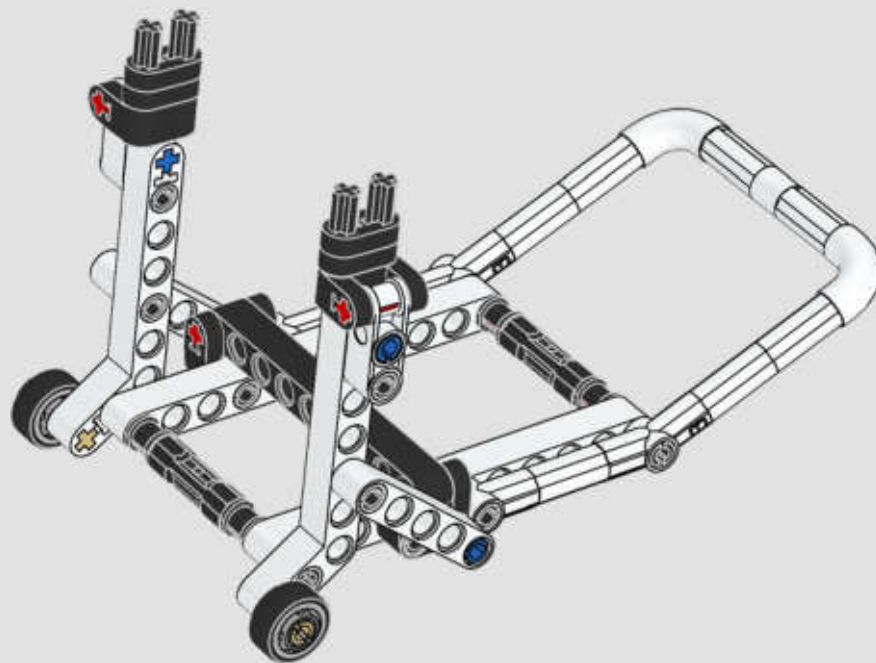


19

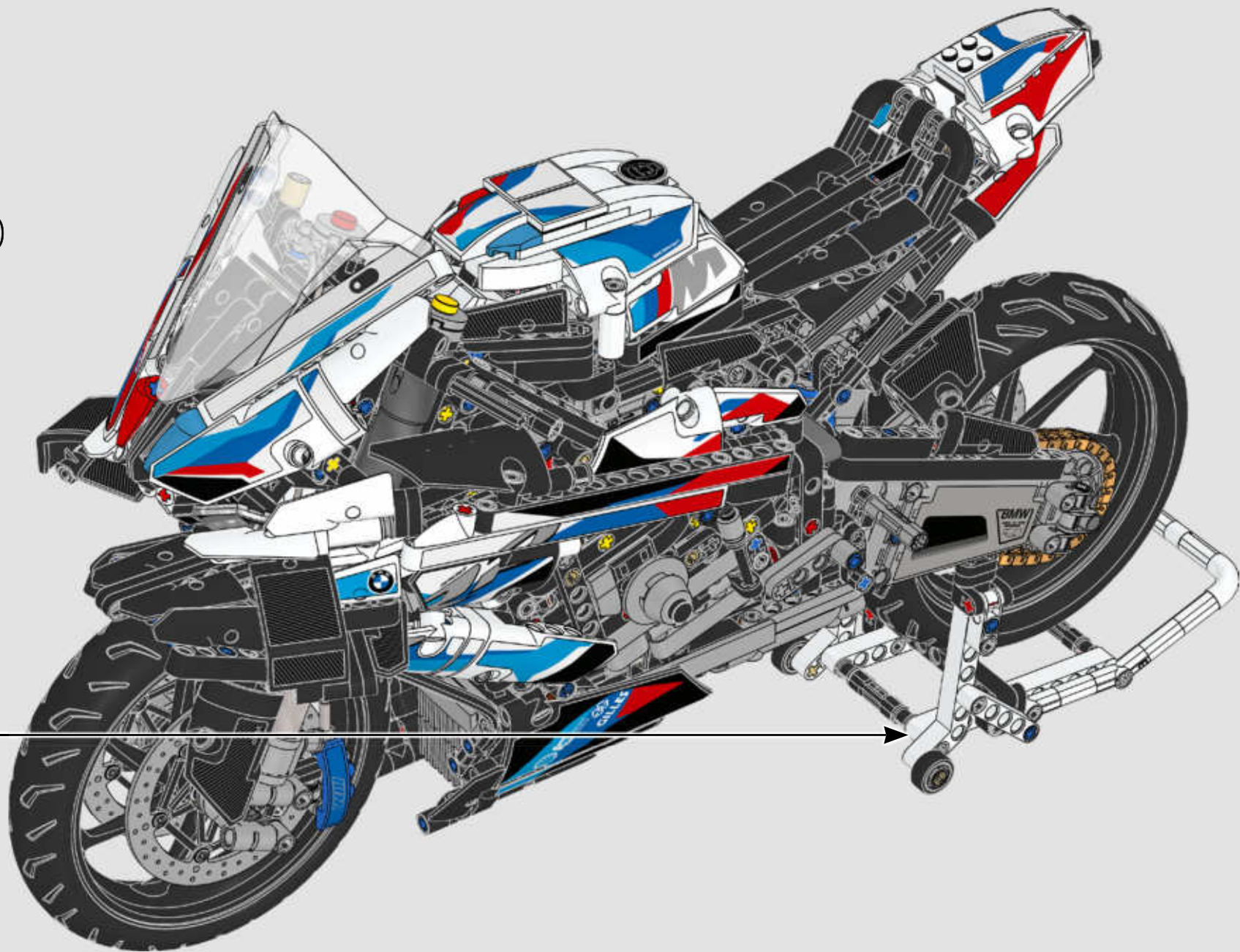


20

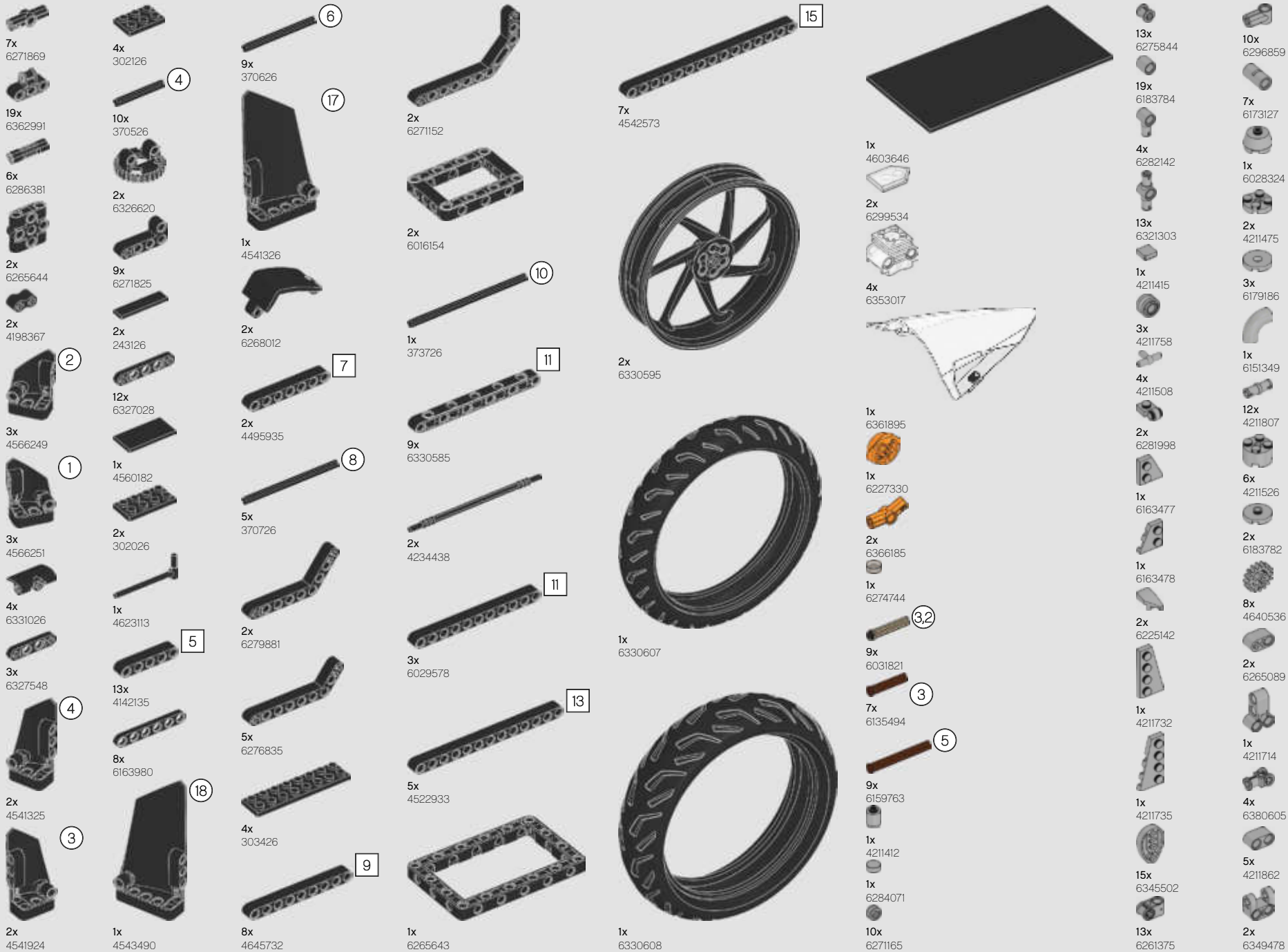




700



- 1x 6177114
- 2x 6282148
- 2x 4544140
- 7x 6343987
- 10x 6371416
- 2x 6323918
- 7x 6330084
- 2x 6332573
- 2x 6194851
- 2x 6179606
- 7x 6265135
- 4x 6345327
- 8x 6212049
- 2x 3200001
- 380
- 6x 6173116
- 3x 6034044
- 2x 6271349
- 2x 6288218
- 2x 6330960
- 1x 6047220
- 4x 6261390
- 2x 6271870
- 2x 4249112
- 1x 362301
- 2x 6179606
- 7x 4558874
- 4x 6345327
- 8x 6212049
- 2x 3200001
- 6360072
- 6x 4547582
- 2x 302101
- 1x 6132212
- 2x 6156667
- 6x 4547581
- 2x 6045936
- 2x 302001
- 2x 4249021
- 2x 366601
- 1x 4179869
- 5x 6276842
- 1x 303401
- 4x 6001831
- 4x 6028103
- 2x 4542578
- 3x 6167923
- 15x 6013938
- 3x 6355727
- 5x 4666579
- 2x 6346517
- 1x 6321305
- 2x 4666999
- 1x 6284574
- 13x 6271820
- 4x 6360104
- 9
- 11
- 15
- 4
- 5
- 6
- 8
- 1x 6177507
- 62x 4142865
- 2x 6167939
- 7x 6100930
- 1x 4179355
- 1x 6285599
- 1x 6273712
- 37x 6209519
- 5x 6347789
- 3x 6273211
- 4x 6129995
- 1x 4142132
- 1x 6130002
- 2x 6130004
- 4x 6284575
- 37x 4143005
- 2x 6315482
- 69x 4206482
- 1x 6224999
- 2x 6344176
- 132x 6299413
- 2x 4649773
- 1x 6284577
- 4x 4112203
- 1x 403224
- 2x 4187122
- 2x 4119474
- 3x 6284189
- 7x 6130008
- 10x 4144022
- 7
- 7
- 9
- 11
- 11
- 6x 6028107
- 7x 6130012
- 2x 6311003
- 1x 6170421
- 3x 6284070
- 3x 61688646
- 17x 6121485
- 23x 6282140
- 1x 6181720
- 2x 4177431
- 14x 6319983
- 2x 6196548
- 1x 6181713
- 3x 4143187
- 2x 4246901
- 43x 6338428
- 6x 6322045
- 4x 6261371
- 12x 6316923
- 6x 6284699
- 207x 6279875
- 2x 403226
- 4x 6179182
- 1x 6070695
- 22
- 21
- 21
- 16x 6253260
- 8x 6099801
- 34x 6265091
- 10x 6326047
- 8x 4512363
- 4x 6280394
- 6x 6331716
- 10x 6349281
- 2x 6268905
- 1x 6174243
- 1x 6047276
- 1x 6156991
- 2x 6147050
- 4x 6271346
- 3x 6325521
- 8x 6313520
- 2x 6262897
- 10x 6271810
- 4x 6323668
- 3x 6273708
- 2x 242026
- 2x 4124096
- 25x 6089119
- 27x 6321745
- 4x 4107765
- 4x 6261386
- 1x 6276951
- 3x 4552347
- 2x 4142822





2x
6280396



4x
6268924



6x
6168633



2x
6134378



2x
4211469



30x
4211350



4x
6000018



1x
4667578



2x
6331859



4x
6360043



2x
6262905



7x
6273724



4x
6279023



4x
4211397



1x
4490127



33x
4211815



1x
4211536



1x
6261387



2x
4652235



13x
6276969



3x
6331441



2x
6282158



1x
6070564



1x
4211429



1x
6211969



1x
4558169



2x
6302648



2x
6317177



2x
4652235



1x
6013547



1x
6011808



2x
6273212



2x
6370947



1x
4211396



1x
6171894



1x
6271831



2x
4211356



2x
4211445



1x
6303438



4x
6328063



4x
6331428



3x
4503416



7x
4211639



1x
6195314



2x
4211651



6x
4211713



1x
6285654



10x
6170293



1x
6278129



1x
4211549



6x
4211805



2x
4211452



9x
4495930



2x
6257136

5



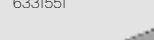
2x
4211481



2x
6331551



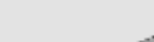
1x
6102449



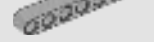
2x
4522934



2x
6327007



62x
6348019



2x
6116017



3x
6210590



2x
6328490

9

13



1x
6211418



1x
6292486



1x
6364922



1x
6284596



4x
4210759



8x
6261374



2x
6100931



3x
6135014



2x
4516546



2x
6364452



6x
6167281



1x
6133119



11x
4210751



1x
6317653



2x
4610378



3x
6271814



7x
6083620



3x
4499858



3x
6321715



3x
6321715



2x
4645730



1x
4603472



1x
4603472



1x
4603472



1x
4603472



1x
4603472



1x
4603472



1x
4603472



1x
4603472



Customer Service

Kundenservice

Service Consommateurs

Servicio Al Consumidor

LEGO.com/service or dial



00800 5346 5555 :



1-800-422-5346 :





FEEDBACK AND WIN



FEEDBACK AND WIN

Your feedback will help shape the future development of this product series.

Please visit:

FEEDBACK UND GEWINNEN

Dein Feedback trägt zur Weiterentwicklung dieser Produktreihe bei.

Geh auf:

COMMENTEZ ET GAGNEZ

Vos commentaires nous aideront à concevoir les futurs produits de cette gamme.

Rendez-vous sur :

COMENTA Y GANA

Tu opinión nos ayudará a dar forma al desarrollo de esta serie de productos en el futuro.

Visita:

反馈有奖

您的反馈将有助于我们在今后改进本系列产品。

请访问：

[LEGO.com/productfeedback](https://www.lego.com/productfeedback)

By completing, you will automatically enter a drawing to win a LEGO® set.

Terms & Conditions apply.

Durch Ausfüllen nimmst du automatisch an der Verlosung eines LEGO® Preises teil.

Es gelten die Teilnahmebedingungen.

En envoyant vos commentaires, vous serez automatiquement inscrit(e) à un tirage au sort qui vous permettra de remporter un prix LEGO®.

Offre soumise à conditions.

Al contestar, participarás automáticamente en el sorteo y podrás ganar un set LEGO®.

Sujeto a Términos y Condiciones.

完成我们的反馈调查，即可自动进入抽奖环节，赢取乐高®套装。

适用《条款和条件》。

LEGO and the LEGO logo are trademarks of the LEGO Group. ©2022 The LEGO Group.

The BMW logo, the BMW Motorrad word mark and the BMW Motorrad model designation are trademarks of BMW AG and are used under license.



M 1000 RR