

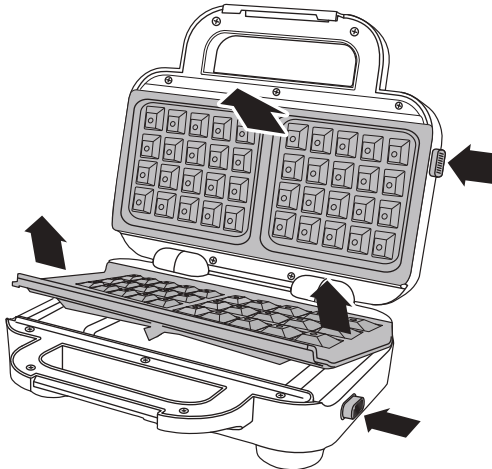
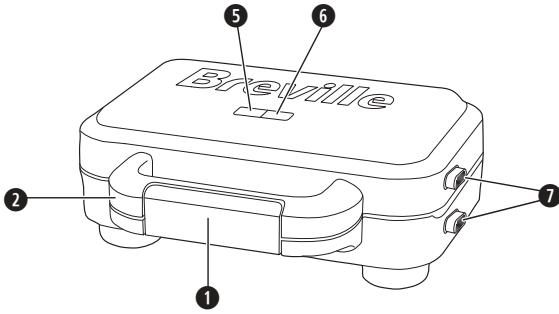
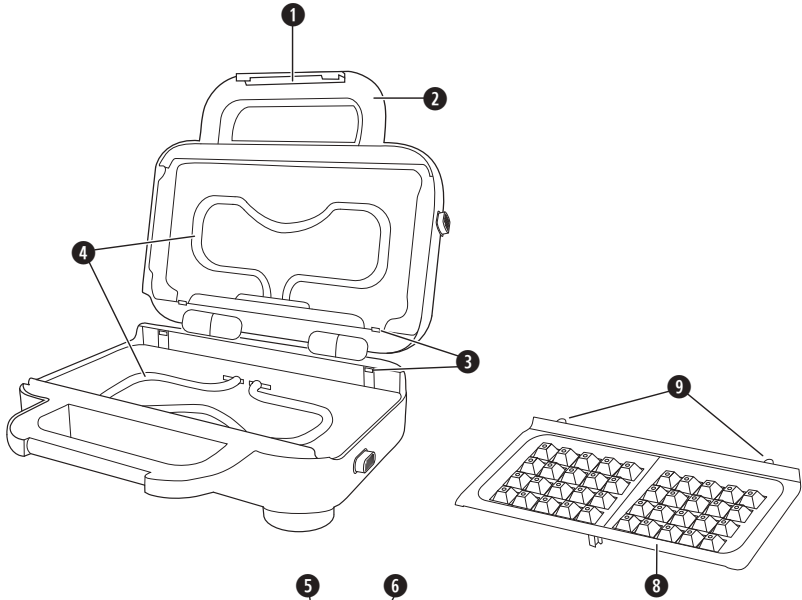
Breville®

Turn **on** your creativity®



VST072X

GB	waffle maker Instructions for Use.....	4
FR	gaufrier Instructions	8
DE	Waffelautomat Bedienungsanleitung	12
ES	gofrera Instrucciones de uso.....	16
PT	forma para waffles Instruções de utilização	20
IT	Macchina per waffle Istruzioni per l'uso.....	24
NL	wafelapparaat Gebruiksaanwijzing	28
FI	vohvelirauta Käyttöohjeet.....	32
SE	våffeljärn Bruksanvisning	36
DK	vaffeljern Brugsanvisning	40
NO	vaffeljern Bruksanvisning	44
PL	gofrownica Instrukcja użytkowania	48
CZ	Vaflovač Uživatelská příručka	52
HU	gofrisütő Használati utasítás	56
RO	aparatur pentru gofre Instrucțiunile de utilizare.....	60




IMPORTANT SAFETY INFORMATION

Please read these instructions before operating the appliance and retain them for future use.

This appliance can be used by children aged from 8 years and above and persons with reduced physical, sensory or mental capabilities or lack of experience and knowledge if they have been given supervision or instruction concerning use of the appliance in a safe way and understand the hazards involved. Children shall not play with the appliance. Cleaning and user maintenance shall not be made by children unless they are older than 8 and supervised. Keep the appliance and its cord out of reach of children less than 8 years old.

Never use the appliance under cupboards or curtains or other flammable materials.

Never operate the appliance by means of an external timer or separate remote-control system.

 Do not touch the metal parts of the appliance during use as they may become very hot.

Never use this appliance for anything other than its intended use. This appliance is for household use only. Do not use this appliance outdoors.

If the supply cord is damaged, it must be replaced by the manufacturer, its service agent or similarly qualified persons in order to avoid a hazard.

- Always ensure that hands are dry before handling the plug or switching on the appliance.
- Always use the appliance on a stable, secure, dry and level surface.
- Care is required when using the appliance on surfaces that may be damaged by heat. The use of an insulated pad is recommended.
- This appliance must not be placed on or near any potentially hot surfaces (such as a gas or electric hob).
- Never let the power cord hang over the edge of a worktop, touch hot surfaces or become knotted, trapped or pinched.

- Do not use the appliance if it has been dropped or if there are any visible signs of damage.
- Ensure the appliance is switched off and unplugged from the supply socket after use, before removing or replacing the waffle plates and before cleaning.
- Always allow the appliance to cool before cleaning or storing.
- Do not immerse the main body, cord set or plug in water or liquid of any kind.
- Never leave the appliance unattended when in use.

PARTS

- 1 Latch
- 2 Handle
- 3 Positioning slots
- 4 Heating elements
- 5 Power light (green)
- 6 Ready light (amber)
- 7 Release buttons
- 8 Waffle plates with DuraCeramic™ coating (x2)
- 9 Positioning tabs

BEFORE FIRST USE

Unpack your waffle maker. You may wish to keep the packaging for future use.

- Remove and wash the waffle plates thoroughly to remove any impurities or residues that may be left over from the manufacturing process (follow the directions under *Cleaning*).
- Clean the outside of your waffle maker with a soft damp cloth. The cover can be polished with a soft dry cloth.

Note that the first time you use your waffle maker, you may notice a slight burning smell and a little smoke. This is completely normal and will soon disappear.

FEATURES

DuraCeramic™ coated waffle plates

The waffle plates feature the exclusive DuraCeramic™ coating. This specialised natural ceramic coating is designed to transfer heat quicker and more efficiently than standard non-stick coatings – meaning faster cooking times for your delicious home-cooked snacks. In addition, the DuraCeramic™ coating is scratch resistant – this is a product built to last. Peace of mind comes from the fact that the DuraCeramic™ coating is PTFE and PFOA free, and this exclusive coating is durable and easy to clean.

DuraCeramic™ coating – designed to handle whatever you throw at it with ease.

USING YOUR WAFFLE MAKER

⚠ Take care around hot surfaces. The waffle plates get very hot. DO NOT touch any parts, or attempt to remove or replace the waffle plates until completely cooled.

Steam may escape from around the waffle maker during cooking. Never leave your waffle maker unattended while in use.

1. Plug your waffle maker into the mains supply socket and switch the socket on if required. The green power light will come on and your waffle maker will start heating up.
2. When your waffle maker is fully heated the amber ready light will come on. This light will come on and go out during cooking.
3. Unclip the latch on the handle and open the lid.
4. Carefully pour your batter mix into the bottom waffle plate. For the perfect waffle, we recommend you pour a ladleful (about 75ml) into the centre of each grid of the waffle plate. Make sure you don't overfill the waffle plate as the mixture may spill over the edges of the plate.
5. Close the lid. DO NOT clip the latch shut during cooking. This allows the waffle to rise and the steam to release (you may notice the lid lift slightly as the waffle rises). Cook the waffle according to the recipe time.
6. When cooked, open the lid. Watch out for escaping steam – we recommend that you use a tea towel or wear oven gloves. Remove the waffle with a non-metallic spatula. Don't use a metal blade as this can damage the DuraCeramic™ surface of the plates.
7. Unplug your waffle maker from the mains supply socket. Do not leave the waffle maker plugged in when not in use.

CLEANING

⚠ Unplug and switch off your waffle maker and allow it to fully cool down before cleaning it. Never immerse the main body, cord set or plug in water or liquid of any kind.

Never use steel wool, scouring pads, abrasive cleaners or metallic utensils to clean your waffle maker.

1. Wipe the waffle plates with absorbent paper or a soft damp cloth.
2. Clean the outside of your waffle maker with a soft damp cloth. The cover can be polished with a soft dry cloth.
3. Remove one plate at a time. Press the corresponding release button and lift the plate away from the heating element.
4. Immerse the plates in warm, soapy water. Rinse with clean water. Wipe dry with a soft cloth.

Note: We recommend that you wash the plates by hand only, in order to preserve the DuraCeramic™ coating.

5. Replace one plate at a time. Guide the positioning tabs into the slots located on the hinge side of the waffle maker. Press the plate gently to lock in place onto the heating element.

Note: The bottom plate is slightly shallower than the top plate. Each plate will only fit into the appropriate position on the waffle maker (bottom or top).

STORAGE

1. Allow the waffle maker to cool fully before storing and ensure that the appliance is clean.
2. Lock the waffle plates together by clipping the latch shut. Wrap the cord in the cord storage area.
3. Store the appliance upright. Alternatively, on a flat, level surface, away from the edge and where it cannot be easily knocked over.

TURN ON YOUR CREATIVITY™

Let the Breville® team help you turn on your creativity with a gateway to a world of food and drinks without limits. You don't have to travel far—just to your computer, tablet or mobile—where you will discover our FREE website with top tips and recipes to inspire your imagination. Join us now at: www.turnonyourcreativity.com

Turn  your creativity®

HINTS AND TIPS

- When preparing your Classic and Luxury waffle batters, make sure that you don't over-mix. Ideally these batters should be slightly lumpy. Producing smooth batters will result in chewy waffles that won't rise well.
- If you are preparing more than 1 batch of waffles, keep these warm in your oven until the others are ready. Arrange in a single layer in an oven tray and place into your oven at a low heat. This way everyone can enjoy their waffles at the same time.
- Freezing and reheating waffles is easy. Allow to cool completely and then stack 2 waffles with a layer of baking parchment between each one. Wrap in plastic wrap or a freezer bag and freeze. To reheat simply pop the frozen waffles into your toaster or under the grill.

RECIPES

Classic waffles – makes 12

- 280g plain flour
- 2 tsp baking powder
- 50g caster sugar
- 1 tsp salt
- 425ml milk
- 1 tsp vanilla extract
- 3 large eggs
- 125g butter, melted

1. Mix the flour, baking powder, sugar and salt in a bowl.
2. Whisk the milk, vanilla extract and eggs in a separate bowl.
3. Make a well in the dry ingredients and add the milk mixture along with the butter. Whisk together until barely combined, the batter will still be slightly lumpy. Don't over-mix. For best results, leave the batter to rest for a few minutes.
4. Pre-heat your waffle maker until the ready light comes on.
5. Grease both the waffle plates with a little oil-based cooking spray, then pour about 75ml of the batter mix evenly into the centre of each grid of the waffle plate.
6. Lower the lid but don't clip the latch shut. Cook for about 7 minutes until golden brown.

Delicious topped with Greek yoghurt, fresh berries and a drizzle of honey.

Luxury waffles – makes 12

- 250g plain flour
- 2 tsp baking powder
- 1 tbsp sugar
- ½ tsp salt
- 3 egg yolks, beaten
- 3 egg whites, beaten stiffly
- 400ml milk
- 115ml vegetable oil

1. Mix the flour, baking powder, sugar and salt in a bowl.
2. Whisk the milk, egg yolks and vegetable oil in a separate bowl.
3. Make a well in the dry ingredients and add the milk mixture. Whisk together until barely combined, the batter will still be slightly lumpy. Don't over-mix.
4. Gently fold in the beaten egg whites until barely combined, don't over-mix.
5. Pre-heat your waffle maker until the ready light comes on.
6. Grease both the waffle plates with a little oil-based cooking spray, then pour about 75ml of the batter mix evenly into the centre of each grid of the waffle plate.
7. Lower the lid but don't clip the latch shut. Cook for about 7 minutes until golden brown.

Why not try making a lemon meringue pie waffle? Just top with lemon curd, crushed meringue and whipped cream.

Chocolate waffles – makes 12

- 200g plain flour
- 100g caster sugar
- 45g cocoa powder
- 1 tsp salt
- ½ tsp bicarbonate of soda
- 450ml milk
- 1 tsp vanilla extract
- 3 large eggs
- 60g melted butter, cooled
- 110g plain chocolate chips

1. Mix the flour, sugar, cocoa powder, salt and bicarbonate of soda in a bowl.
2. Whisk the milk, vanilla extract and eggs in a separate bowl.
3. Make a well in the dry ingredients and add the milk mixture along with the butter. Whisk together until you have a smooth batter.
4. Stir in the chocolate chips.
5. Pre-heat your waffle maker until the ready-to-cook light comes on.
6. Grease both the waffle plates with a little oil-based cooking spray, then pour about 75ml of the batter mix evenly into the centre of each grid of the waffle plate.
7. Lower the lid but don't clip the latch shut. Cook for about 7 minutes.

Why not try topping with vanilla ice cream, crushed pistachios and fresh raspberries?

Chia multigrain waffles – makes 6

- 250ml buttermilk
- 190ml milk
- 50g onion chutney
- 1 egg, beaten
- 2 tbsp chia seeds
- 1 tsp vanilla extract
- 160g granary flour
- 40g rolled oats
- 25g ground almonds
- 2 tsp baking powder
- 2 tsp sugar
- ¼ tsp salt

1. Mix the buttermilk, milk, onion chutney, egg, chia seeds and vanilla extract in a medium bowl. Leave for 2 minutes to allow the chia seeds to soak and thicken.
2. Mix the flour, oats, ground almonds, baking powder, sugar and salt in a separate bowl.
3. Make a well in the dry ingredients and add the milk mixture and whisk until you have a thick smooth batter.
4. Pre-heat your waffle maker until the ready-to-cook light comes on.
5. Grease both the waffle plates with a little oil-based cooking spray, then pour about 75ml of the batter mix evenly into the centre of each grid of the waffle plate.

- Lower the lid but don't clip the latch shut. Cook for about 7 minutes until golden brown.

For a healthy anytime snack, why not serve these waffles with some wilted spinach and a soft poached egg?

Potato waffles – makes 6

- 2 tbsp butter
 - 1 onion, finely chopped
 - 1 tsp finely chopped garlic
 - 360g mashed potato
 - 30g plain flour
 - 2 eggs
 - ¼ tsp salt
 - ¼ tsp ground black pepper
- Gently fry the onion and garlic in the butter until soft (about 5–7 minutes).
 - Place the mashed potato in a bowl and add the onion mix, flour, eggs and seasoning. Mix well to form a smooth, thick batter.
 - Pre-heat your waffle maker until the ready-to-cook light comes on.
 - Grease both the waffle plates with a little oil-based cooking spray, then pour about 75ml of the batter mix evenly into the centre of each grid of the waffle plate.
 - Lower the lid but don't clip the latch shut. Cook for 7 minutes until golden brown.

Why not serve your potato waffles topped with thinly sliced steak, rocket and a balsamic dressing?

FITTING A PLUG - U.K. AND IRELAND ONLY

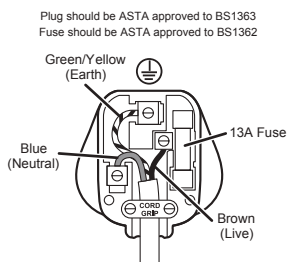
⚠ This appliance must be earthed.

If the plug is not suitable for the socket outlets in your home, it can be removed and replaced by a plug of the correct type.

If the fuse in a moulded plug needs to be changed, the fuse cover must be refitted. The appliance must not be used without the fuse cover fitted.

If the plug is unsuitable, it should be dismantled and removed from the supply cord and an appropriate plug fitted as detailed. If you remove the plug it must not be connected to a 13 amp socket and the plug must be disposed of immediately.

If any other plug is used, a 13 amp fuse must be fitted either in the plug or adaptor or at the distributor board.



Ensure that the outer sheath of the cable is firmly held by the cord grip

GUARANTEE

Please keep your receipt as this will be required for any claims under this guarantee.

This appliance is guaranteed for 2 years after your purchase as described in this document.

During this guaranteed period, if in the unlikely event the appliance no longer functions due to a design or manufacturing fault, please take it back to the place of purchase, with your till receipt and a copy of this guarantee.

The rights and benefits under this guarantee are additional to your statutory rights, which are not affected by this guarantee. Only Jarden Consumer Solutions (Europe) Limited ("JCS (Europe)") has the right to change these terms.

JCS (Europe) undertakes within the guarantee period to repair or replace the appliance, or any part of appliance found to be not working properly free of charge provided that:

- you promptly notify the place of purchase or JCS (Europe) of the problem; and
- the appliance has not been altered in any way or subjected to damage, misuse, abuse, repair or alteration by a person other than a person authorised by JCS (Europe).

Faults that occur through, improper use, damage, abuse, use with incorrect voltage, acts of nature, events beyond the control of JCS (Europe), repair or alteration by a person other than a person authorised by JCS (Europe) or failure to follow instructions for use are not covered by this guarantee. Additionally, normal wear and tear, including, but not limited to, minor discoloration and scratches are not covered by this guarantee.

The rights under this guarantee shall only apply to the original purchaser and shall not extend to commercial or communal use.

If your appliance includes a country-specific guarantee or warranty insert please refer to the terms and conditions of such guarantee or warranty in place of this guarantee or contact your local authorized dealer for more information.

Waste electrical products should not be disposed of with Household waste. Please recycle where facilities exist. E-mail us at enquiriesEurope@jardencs.com for further recycling and WEEE information.

Jarden Consumer Solutions (Europe) Limited
5400 Lakeside
Cheadle Royal Business Park
Cheadle
SK8 3GQ
United Kingdom



INSTRUCTIONS DE SÉCURITÉ IMPORTANTES


Lisez avec attention et conservez pour référence.

Cet appareil peut être utilisé par des enfants à partir de 8 ans, ainsi que par des personnes aux capacités physiques, sensorielles ou intellectuelles réduites, ou encore des personnes n'ayant aucune connaissance ou expérience du produit, à condition d'avoir été formés à son utilisation correcte et de comprendre les risques encourus. Les enfants ne doivent pas jouer avec l'appareil. Les opérations de nettoyage et d'entretien ne doivent pas être effectuées par des enfants, sauf s'ils ont plus de 8 ans et sont surveillés par un adulte.

Tenez l'appareil et son cordon hors de portée des enfants de moins de 8 ans.

Ne faites jamais fonctionner l'appareil sous un meuble mural ou à proximité de rideaux ou autres matériaux inflammables.

Ne contrôlez pas l'appareil au moyen d'un minuteur externe ou tout autre système de commande à distance.

 Ne touchez pas les parties métalliques de l'appareil en cours d'utilisation, car elles risquent d'être brûlantes.

N'utilisez ce produit qu'aux fins pour lesquelles il est prévu. Cet appareil est conçu exclusivement pour une utilisation domestique. N'utilisez pas cet appareil à l'extérieur.

Si le cordon d'alimentation est endommagé, il doit être remplacé par le fabricant, son représentant agréé ou toute autre personne qualifiée afin d'éviter tout danger.

- Assurez-vous que vos mains sont sèches avant de manipuler la prise ou de mettre l'appareil en marche.
- Utilisez toujours l'appareil sur une surface stable, sûre, sèche et horizontale.
- Soyez particulièrement prudent si vous utilisez l'appareil sur une surface susceptible d'être endommagée par la chaleur. L'utilisation d'un support résistant à la chaleur est recommandée.

- Cet appareil ne doit pas être placé sur ou près de surfaces potentiellement chaudes (telles que des plaques de cuisson au gaz ou à l'électricité).
- Ne laissez pas le cordon d'alimentation pendre dans le vide, toucher des surfaces chaudes ou s'emmêler, se bloquer ou se pincer.
- N'utilisez pas l'appareil s'il a subi un choc, ou en cas de signes visibles de dommages.
- Assurez-vous que l'appareil est hors tension et débranché de la prise secteur après l'emploi, avant de le nettoyer et avant de poser ou de déposer les plaques à gaufres.
- Attendez toujours que l'appareil se refroidisse avant de le nettoyer ou le ranger.
- Ne plongez pas l'appareil, le cordon d'alimentation ou la prise dans l'eau ou tout autre liquide.
- Ne laissez pas l'appareil sans surveillance au cours de son utilisation.

GUIDE DES PIÈCES

- 1 Loquet
- 2 Poignée
- 3 Fentes de placement
- 4 Éléments chauffants
- 5 Voyant d'alimentation (vert)
- 6 Voyant « prêt » (orange)
- 7 Boutons d'éjection
- 8 Plaques à gaufres avec revêtement DuraCeramic™ (x2)
- 9 Pattes de placement

AVANT LA PREMIÈRE UTILISATION

- Sortez le gaufrier de son emballage. Il peut s'avérer utile de conserver l'emballage afin de pouvoir le réutiliser.
- Extrayez les plaques à gaufres et lavez-les bien pour en éliminer toutes impuretés ou tous résidus qui peuvent provenir du procédé de fabrication (suivez les instructions sous la rubrique *Nettoyage*).
- Nettoyez l'extérieur de votre gaufrier avec un chiffon doux et humide. Vous pouvez passer un chiffon doux et sec sur le couvercle.

Notez que lors de sa première utilisation, une légère odeur de brûlé et un peu de fumée risquent de se dégager du gaufrier. Ce phénomène est parfaitement normal et disparaît rapidement.

CARACTÉRISTIQUES

Plaques à gaufres avec revêtement DuraCeramic™

Les plaques à gaufres portent le revêtement exclusif DuraCeramic™. Ce revêtement naturel en céramique spécialisé assure un transfert rapide de chaleur plus efficace que les revêtements antiadhésifs standard. Résultat : vos délicieux snacks faits maison cuisent plus rapidement. Le revêtement DuraCeramic™ résiste également aux rayures : c'est donc un produit conçu pour durer. Le revêtement exclusif DuraCeramic™ ne contient ni PTFE, ni PFOA, ce qui ne peut que vous rassurer. Il est ainsi durable et facile à nettoyer.

Revêtement DuraCeramic™ – des performances à la hauteur de vos ambitions culinaires.

UTILISATION DU GAUFRIER

⚠ Faites attention à proximité des surfaces chaudes. Les plaques à gaufres deviennent très chaudes. Ne touchez PAS les pièces avant qu'elles n'aient complètement refroidi et n'essayez pas non plus de poser ou de déposer les plaques à gaufres.

Il peut sortir de la vapeur tout autour du gaufrier pendant la cuisson.

Ne laissez pas le gaufrier sans surveillance au cours de son utilisation.

1. Branchez votre gaufrier sur la prise secteur et activez la prise au besoin. Le voyant d'alimentation vert s'allume, et le gaufrier commence à chauffer.
2. Une fois la température maximale atteinte, le voyant « prêt » orange s'allume. Il s'allume et s'éteint pendant la cuisson.
3. Déclenchez le loquet sur la poignée et ouvrez le couvercle.
4. Versez soigneusement votre mélange de pâte sur la plaque à gaufres du bas. Pour obtenir une gaufre parfaite, nous vous recommandons de déposer une louchée (environ 75 ml) au centre de chaque grille de la plaque à gaufres. Assurez-vous de ne pas trop remplir la plaque à gaufres, car le mélange peut déborder.
5. Refermez le couvercle. N'enclenchez PAS le loquet pendant la cuisson. Cela permet à la gaufre de lever et à la vapeur de s'échapper (vous pouvez ainsi voir le couvercle monter légèrement sous l'effet de la gaufre qui lève). Respectez la durée de cuisson spécifiée dans la recette de gaufre.
6. Une fois la cuisson terminée, ouvrez le couvercle. Pour vous protéger de la vapeur qui s'échappe, utilisez un torchon ou des gants de cuisine. Sortez la gaufre à l'aide d'une spatule non métallique. N'utilisez pas d'ustensile en métal, car vous risquez d'endommager le revêtement DuraCeramic™ des plaques.
7. Débranchez le gaufrier de la prise murale. Ne laissez pas le gaufrier branché lorsqu'il n'est pas en cours d'utilisation.

NETTOYAGE

⚠ Arrêtez et débranchez le gaufrier. Laissez-le refroidir complètement avant de le nettoyer. Ne plongez jamais

l'appareil, le cordon d'alimentation ou la fiche dans l'eau ou tout autre liquide.

N'utilisez jamais de paille de fer, d'éponges à récurer, de détergents abrasifs ou d'ustensiles en métal pour nettoyer le gaufrier.

1. Essuyez les plaques à gaufres avec du papier absorbant ou un chiffon doux humide.
2. Nettoyez l'extérieur de votre gaufrier avec un chiffon doux et humide. Vous pouvez passer un chiffon doux et sec sur le couvercle.
3. Enlevez une plaque à la fois. Appuyez sur le bouton d'éjection correspondant et soulevez la plaque de l'élément chauffant.
4. Plongez les plaques dans de l'eau chaude savonneuse et rincez-les à l'eau claire. Essuyez-les à l'aide d'un chiffon doux. Remarque : Nous vous recommandons de laver les plaques à la main seulement pour préserver le revêtement DuraCeramic™.
5. Remontez une plaque à la fois. Guidez les pattes de placement dans les fentes situées du côté des charnières du gaufrier. Appuyez légèrement sur la plaque pour la verrouiller contre l'élément chauffant. Remarque : La plaque du bas est un peu moins profonde que la plaque du haut. Chacune des plaques peut uniquement être montée à l'emplacement qui lui est destiné sur le gaufrier (le bas ou le haut).

RANGEMENT

- Attendez que le gaufrier soit totalement froid et propre avant de le ranger.
- Enclenchez le loquet pour attacher les plaques à gaufres ensemble. Enroulez le cordon dans son logement.
- Rangez l'appareil à la verticale ou sur une surface plane et horizontale, loin des bords et là où il ne peut pas facilement basculer.

CONSEILS ET ASTUCES

- Lorsque vous préparez la pâte de vos assurez-vous de ne pas trop mélanger. Idéalement, ces pâtes devraient être un peu grumeleuses. En effet, si elles sont lisses, les gaufres ne lèvent pas bien, et leur consistance est caoutchouteuse.
- Si vous préparez plus d'une fournée de gaufres, gardez les premières au chaud dans le four jusqu'à ce que les autres soient prêtes. Placez-les côte à côte sur une plaque à pâtisseries et mettez-les dans un four à faible température. Toute la tablée peut ainsi déguster leurs gaufres en même temps.
- La congélation et le réchauffage des gaufres est facile. Laissez-les refroidir complètement, puis créez 2 couches de gaufres avec une feuille de papier sulfurisé entre elles. Enveloppez le tout dans du film étirable ou insérez dans un sac de congélation et congelez. Pour réchauffer, il suffit de mettre les gaufres congelées au grille-pain.

RECETTES

Gaufres classiques (pour 12 gaufres)

- 280 g de farine tout-usage
- 10 ml (2 c. à café) de levure chimique
- 50 g de sucre semoule
- 5 ml (1 c. à café) de sel
- 425 ml de lait
- 5 ml (1 c. à café) d'extrait de vanille
- 3 gros œufs
- 125 g de beurre, fondu

1. Mélangez la farine, la levure chimique, le sucre et le sel dans un bol.
2. Fouettez le lait, l'extrait de vanille et les œufs dans un bol séparé.
3. Faites un puits dans le mélange de farine et ajoutez le mélange de lait, ainsi que le beurre. Fouettez le tout jusqu'à obtenir une pâte un peu grumeleuse, mais sans plus. Ne mélangez pas le tout parfaitement. Pour obtenir de meilleurs résultats, laissez la pâte reposer pendant quelques minutes.
4. Préchauffez votre gaufrier jusqu'à ce que le voyant « prêt » s'allume.
5. Graissez les deux plaques à gaufres avec un peu d'aérosol de cuisson à base d'huile, puis versez environ 75 ml du mélange de pâte uniformément au centre de chaque grille de plaque à gaufres.
6. Fermez le couvercle, mais sans enclencher le loquet. Faites cuire pendant environ 7 minutes jusqu'à ce qu'elles soient dorées.

Délicieuses garnies de yaourt grec, de baies fraîches et d'un filet de miel.

Gaufres de luxe (pour 12 gaufres)

- 250 g de farine tout-usage
- 10 ml (2 c. à café) de levure chimique
- 15 ml (1 c. à soupe) de sucre
- 3 ml (½ c. à café) de sel
- 3 jaunes d'œuf, battus
- 3 blancs d'œuf, battus en neige
- 400 ml de lait
- 115 ml d'huile végétale

1. Mélangez la farine, la levure chimique, le sucre et le sel dans un bol.
2. Fouettez le lait, les jaunes d'œuf et l'huile végétale dans un bol séparé.
3. Faites un puits dans le mélange de farine et ajoutez le mélange de lait. Fouettez le tout jusqu'à obtenir une pâte un peu grumeleuse mais sans plus. Ne mélangez pas le tout parfaitement.
4. Ajoutez petit à petit et délicatement les blancs d'œuf battus en neige, sans les incorporer totalement.
5. Préchauffez votre gaufrier jusqu'à ce que le voyant « prêt » s'allume.

6. Graissez les deux plaques à gaufres avec un peu d'aérosol de cuisson à base d'huile, puis versez environ 75 ml du mélange de pâte uniformément au centre de chaque grille de plaque à gaufres.
7. Fermez le couvercle, mais sans enclencher le loquet. Faites cuire pendant environ 7 minutes jusqu'à ce qu'elles soient dorées.

Vous pouvez garnir vos gaufres de crème de citron, de meringue concassée et de crème fouettée pour en faire une tarte au citron meringuée.

Gaufres au chocolat (pour 12 gaufres)

- 200 g de farine tout-usage
- 100 g de sucre semoule
- 45 g de poudre de cacao
- 5 ml (1 c. à café) de sel
- 3 ml (½ c. à café) de bicarbonate de soude
- 450 ml de lait
- 5 ml (1 c. à café) d'extrait de vanille
- 3 gros œufs
- 60 g de beurre fondu, refroidi
- 110 g de pépites de chocolat noir

1. Mélangez la farine, le sucre, la poudre de cacao, le sel et le bicarbonate de soude dans un bol.
2. Fouettez le lait, l'extrait de vanille et les œufs dans un bol séparé.
3. Faites un puits dans le mélange de farine et ajoutez le mélange de lait, ainsi que le beurre. Fouettez le tout jusqu'à obtenir une pâte lisse.
4. Ajoutez les pépites de chocolat.
5. Préchauffez votre gaufrier jusqu'à ce que le voyant « prêt » s'allume.
6. Graissez les deux plaques à gaufres avec un peu d'aérosol de cuisson à base d'huile, puis versez environ 75 ml du mélange de pâte uniformément au centre de chaque grille de plaque à gaufres.
7. Fermez le couvercle, mais sans enclencher le loquet. Cuisez pendant environ 7 minutes.

Vous pouvez garnir vos gaufres de glace à la vanille, de pistaches concassées et de framboises fraîches.

Gaufres multicéréales aux graines de chia (pour 6 gaufres)

- 250 ml de babeurre (lait battu) ou de lait fermenté maigre
- 190 ml de lait
- 50 g de chutney d'oignons (industriel ou maison)
- 1 œuf, battu
- 30 ml (2 c. à soupe) de graines de chia
- 5 ml (1 c. à café) d'extrait de vanille
- 160 g de farine Granary (une farine brune avec des grains de blé maltés)
- 40 g de flocons d'avoine
- 25 g d'amandes moulues
- 10 ml (2 c. à café) de levure chimique

- 10 ml (2 c. à café) de sucre
- 1 ml (¼ c. à café) de sel

1. Mélangez le babeurre, le lait, le chutney d'oignons, les œufs, les graines de chia et l'extrait de vanille dans un bol moyen. Laissez les graines de chia tremper pendant 2 minutes pour qu'elles épaississent.
2. Mélangez la farine, les flocons d'avoine, les amandes moulues, la levure chimique, le sucre et le sel dans un bol séparé.
3. Faites un puits dans le mélange de farine et ajoutez le mélange de lait. Fouettez le tout jusqu'à obtenir une pâte épaisse et lisse.
4. Préchauffez votre gaufrier jusqu'à ce que le voyant « prêt » s'allume.
5. Graissez les deux plaques à gaufres avec un peu d'aérosol de cuisson à base d'huile, puis versez environ 75 ml du mélange de pâte uniformément au centre de chaque grille de plaque à gaufres.
6. Fermez le couvercle, mais sans enclencher le loquet. Faites cuire pendant environ 7 minutes jusqu'à ce qu'elles soient dorées.

Pour une collation saine qui se mange à toute heure, vous pouvez servir ces gaufres avec des épinards cuits et un oeuf poché moelleux.

Gaufres aux pommes de terre (pour 6 gaufres)

- 30 ml (2 c. à soupe) de beurre
- 1 oignon, haché menu
- 5 ml (1 c. à café) d'ail haché menu
- 360 g de purée de pommes de terre
- 30 g de farine
- 2 œufs
- 1 ml (¼ c. à café) de sel
- 1 ml (¼ c. à café) de poivre noir moulu

1. Faites doucement revenir l'oignon et l'ail dans le beurre jusqu'à ce qu'ils soient tendres (environ 5 à 7 minutes).
2. Placez la purée de pommes de terre dans un bol et ajoutez le mélange d'oignon, la farine, les œufs et les assaisonnements. Mélangez bien pour former une pâte épaisse et lisse.
3. Préchauffez votre gaufrier jusqu'à ce que le voyant « prêt » s'allume.
4. Graissez les deux plaques à gaufres avec un peu d'aérosol de cuisson à base d'huile, puis versez environ 75 ml du mélange de pâte uniformément au centre de chaque grille de plaque à gaufres.
5. Fermez le couvercle, mais sans enclencher le loquet. Cuisez pendant 7 minutes jusqu'à ce qu'elles soient dorées.

Vous pouvez servir vos gaufres aux pommes de terre garnies de minces tranches de steak, de roquette et de vinaigre balsamique.

GARANTIE

Veillez conserver votre ticket de caisse, il vous sera demandé lors de toute réclamation sous garantie.

Cet appareil est garanti 2 ans à partir de la date d'achat, comme indiqué dans le présent document.

Dans le cas peu probable d'une panne résultant d'un défaut de conception ou de fabrication au cours de la période de garantie, veuillez rapporter l'appareil au magasin où vous l'avez acheté avec votre ticket de caisse et une copie de cette garantie.

Vos droits statutaires ne sont aucunement affectés par cette garantie. Seul Jarden Consumer Solutions (Europe) Limited (« JCS (Europe) ») peut modifier ces dispositions.

JCS (Europe) s'engage à réparer ou remplacer gratuitement, pendant la période de garantie, toute pièce de l'appareil qui se révèle défectueuse sous réserve que :

- vous avertissiez rapidement le magasin ou JCS (Europe) du problème ; et
- l'appareil n'ait pas été altéré de quelque manière que ce soit ou endommagé, utilisé incorrectement ou abusivement, ou bien réparé ou altéré par une personne autre qu'une personne agréée par JCS (Europe) Products Europe.

Cette garantie ne couvre pas les défauts liés à une utilisation incorrecte, un dommage, une utilisation abusive, l'emploi d'une tension incorrecte, les catastrophes naturelles, les événements hors du contrôle de JCS (Europe), une réparation ou une altération par une personne autre qu'une personne agréée par JCS (Europe) ou le non-respect des instructions d'utilisation. De plus, cette garantie ne couvre pas non plus l'usure normale, y compris, mais sans limitation, les petites décolorations et éraflures.

Cette garantie s'applique uniquement à l'acheteur d'origine et elle n'étend aucun droit à toute personne acquérant l'appareil pour un usage commercial ou communal.

Si votre appareil est accompagné d'une garantie locale ou d'une carte de garantie, veuillez en consulter les dispositions et conditions en vigueur, ou vous adresser à votre revendeur local pour en savoir plus.

Les déchets d'équipement électrique ne doivent pas être mélangés aux ordures ménagères. Veuillez recycler si vous en avez la possibilité. Envoyez-nous un email à enquiriesEurope@jardencs.com pour plus d'informations sur le recyclage et la directive WEEE.

Jarden Consumer Solutions (Europe) Limited
5400 Lakeside
Cheadle Royal Business Park
Cheadle
SK8 3GQ
United Kingdom



WICHTIGE SICHERHEITSHINWEISE

Lesen Sie diese Hinweise sorgfältig durch und verwahren Sie sie gut.

Dieses Gerät kann von Kindern ab 8 Jahren und Personen mit eingeschränkten körperlichen, sensorischen oder geistigen Fähigkeiten oder mangelnder Erfahrung und Wissen verwendet werden, wenn sie entsprechend in die sichere Anwendung eingewiesen wurden und die damit verbundenen Gefahren verstehen. Kinder dürfen das Gerät nicht als Spielzeug verwenden. Die Reinigung und Wartung des Geräts darf von Kindern ab 8 Jahren nur unter Aufsicht durchgeführt werden.

Achten Sie darauf, dass sich das Gerät und das dazugehörige Kabel außerhalb der Reichweite von Kindern unter 8 Jahren befinden.

Verwenden Sie das Gerät nie unter Schränken oder Vorhängen oder anderen entflammaren Materialien.

Betreiben Sie das Gerät nie mit einem externen Timer oder einem separaten Fernsteuerungssystem.

⚠ Berühren Sie die Metallteile des Geräts während des Gebrauchs nicht, da diese sehr heiß werden.

Setzen Sie das Gerät nie für Zwecke ein, für die es nicht bestimmt ist. Das Gerät wurde für die Verwendung in Privathaushalten entwickelt. Verwenden Sie das Gerät nicht im Freien.

Beschädigte Stromkabel müssen durch den Hersteller, den Kundendienst oder andere qualifizierte Personen ersetzt werden, um Gefahren auszuschließen.

- Stellen Sie immer sicher, dass Ihre Hände trocken sind, bevor Sie den Stecker berühren oder das Gerät einschalten.
- Verwenden Sie das Gerät nur auf einer stabilen, sicheren, trockenen und ebenen Unterlage.
- Achten Sie darauf, das Gerät nur auf hitzebeständige Unterlagen zu stellen. Es wird empfohlen, eine isolierende Unterlage zu verwenden.

- Stellen Sie das Gerät nicht in die Nähe von oder auf Oberflächen, die heiß werden können (z. B. einen Herd oder Kochfelder).
- Achten Sie darauf, dass das Stromkabel nicht über den Rand der Arbeitsfläche hängt, heiße Oberflächen berührt, verknottet, eingeklemmt wird oder sich verfangt.
- Verwenden Sie das Gerät nicht, wenn es heruntergefallen ist oder Beschädigungen sichtbar sind.
- Stellen Sie sicher, dass das Gerät ausgestellt ist und trennen Sie es von der Stromzufuhr, bevor Sie es reinigen oder die Waffeleisen entnehmen oder wieder einsetzen.
- Das Gerät kann so vor der Reinigung oder Lagerung abkühlen.
- Tauchen Sie Teile des Geräts oder Stromkabels nicht ins Wasser oder andere Flüssigkeiten.
- Lassen Sie das Gerät während des Betriebs nie unbeaufsichtigt.

BESTANDTEILE

- 1 Verriegelung
- 2 Griff
- 3 Positionierungsnut
- 4 Heizelemente
- 5 Betriebsleuchte (grün)
- 6 Bereitschaftsleuchte (gelb)
- 7 Entriegelungstasten
- 8 Waffeleisen mit DuraCeramic™-Beschichtung (2 Stück)
- 9 Positionierungsfeder

VOR DEM ERSTEN GEBRAUCH

- Packen Sie den Waffelautomaten aus. Verwahren Sie ggf. die Verpackung für die spätere Verwendung.
- Nehmen Sie die Waffeleisen ab und spülen Sie sie gründlich, um durch den Fertigungsprozess verursachte Rückstände und Schmutzpartikel zu beseitigen (folgen Sie hierzu den Anweisungen unter *Reinigen*).
- Wischen Sie die Außenseite des Waffelautomaten mit einem weichen feuchten Tuch ab. Die Abdeckung kann mit einem weichen trockenen Tuch poliert werden.

Wenn Sie den Waffelautomaten zum ersten Mal verwenden, sind möglicherweise ein leichter Brandgeruch und eine geringe Rauchentwicklung festzustellen. Dies ist normal und verschwindet innerhalb kürzester Zeit.

GERÄTEBESCHREIBUNG

DuraCeramic™-beschichtete Waffeleisen

Die Waffeleisen sind mit einer exklusiven DuraCeramic™-Beschichtung versehen. Diese spezielle natürliche Keramikbeschichtung leitet Hitze schneller und effizienter als herkömmliche Anti-Haftbeschichtungen. Mit anderen Worten, Sie können Ihre köstlichen selbst gekochten Snacks schneller genießen. Die DuraCeramic™-Beschichtung ist zudem kratzfest – dieses Produkt ist also auf Dauer ausgelegt. Das Wissen, dass

DuraCeramic™ frei von PTFE und PFOA ist, gibt Ihnen zusätzliche Sicherheit und macht die exklusive Beschichtung haltbar und leicht zu reinigen.

DuraCeramic™-Beschichtung – speziell entwickelt, um es mit allem aufzunehmen, was Sie vorhaben.

VERWENDUNG DES WAFFELAUTOMATEN

⚠ Gehen Sie vorsichtig mit heißen Oberflächen um. Die Waffeleisen werden sehr heiß. Berühren Sie die Komponenten des Waffelautomaten erst, wenn er vollständig abgekühlt ist. Das gleiche gilt für die Entnahme der Waffeleisen.

Während des Backvorgangs kann aus den Seiten des Waffelautomaten Dampf entweichen.

Lassen Sie den Waffelautomaten während des Betriebs nie unbeaufsichtigt.

1. Stecken Sie den Stecker in eine Netzsteckdose. Die grüne Betriebsleuchte leuchtet auf und der Waffelautomat beginnt, sich zu erwärmen.
2. Ist der Waffelautomat vollständig vorgewärmt, leuchtet die gelbe Bereitschaftsleuchte auf. Diese Leuchte geht während des Backprozesses an und aus.
3. Lösen Sie die Griffverriegelung und öffnen Sie den Deckel.
4. Gießen Sie vorsichtig etwas flüssigen Teig auf das untere Waffeleisen. Für perfekte Waffeln empfehlen wir, einen Schöpflöffel (ca. 75 ml) Teig in die Mitte jeder Backfläche zu gießen. Achten Sie darauf, die Backflächen nicht über Gebühr zu füllen, da der Teig sonst überlaufen kann.
5. Schließen Sie den Deckel. Schließen Sie während des Backens die Verriegelung NICHT. Die Waffel kann so aufgehen und an den Seiten kann Dampf entweichen (möglicherweise hebt die aufgehende Waffel den Deckel etwas an). Lassen Sie die Waffel für die im Rezept angegebene Zeit backen.
6. Wenn Sie fertig ist, heben Sie den Deckel an. Schützen Sie sich mit einem Handtuch oder Topfhandschuh vor möglicherweise entweichendem heißen Dampf. Entnehmen Sie die Waffel mithilfe eines metallfreien Spatels. Verwenden Sie keine Kochwerkzeuge aus Metall, da durch diese die DuraCeramic™-Beschichtung beschädigt werden kann.
7. Trennen Sie den Waffelautomaten von der Stromzufuhr. Wenn Sie den Waffelautomaten nicht benutzen, trennen Sie ihn von der Stromzufuhr.

REINIGEN

⚠ Trennen Sie den Waffelautomaten vom Netz und lassen Sie ihn vor der Reinigung vollständig abkühlen. Tauchen Sie das Gerät selbst, das Stromkabel oder den Stecker nicht in Wasser oder andere Flüssigkeiten.

Reinigen Sie den Waffelautomaten nicht mit Stahlwolle, Scheuerschwämmen, scheuernden Reinigern oder Gegenständen aus Metall.

1. Wischen Sie die Waffeleisen mit saugfähigem Papier oder einem weichen feuchten Tuch ab.

2. Wischen Sie die Außenseite des Waffelautomaten mit einem weichen feuchten Tuch ab. Die Abdeckung kann mit einem weichen trockenen Tuch poliert werden.
3. Entnehmen Sie die Waffeleisen nacheinander. Drücken Sie auf die dazugehörige Entriegelungstaste und heben Sie die Platte vom Heizelement ab.
4. Tauchen Sie die Platten in warmes Seifenwasser. Spülen Sie die Platten mit klarem Wasser. Trocknen Sie die Platten mit einem weichen Tuch.
Hinweis: Wir empfehlen, die Platten nur von Hand zu reinigen, um DuraCeramic™-Beschichtung lange zu erhalten.
5. Setzen Sie die Waffeleisen nacheinander wieder ein. Führen Sie die Positionierungsfeder in die Nut am hinteren Rand des Waffelautomaten. Drücken Sie das Waffeleisen sanft nach unten, bis es in das Heizelement einrastet.
Hinweis: Das untere Waffeleisen ist etwas flacher als das obere Waffeleisen. Jedes Waffeleisen passt nur in seinen jeweiligen Platz im Waffelautomaten (oben oder unten).

LAGERUNG

- Lassen Sie den Waffelautomaten vor der Lagerung vollständig abkühlen und überprüfen Sie, ob er sauber ist.
- Verriegeln Sie den Waffelautomaten, indem Sie die Verriegelung einrasten. Wickeln Sie das Kabel um die Kabelaufbewahrung.
- Lagern Sie das Gerät aufrecht. Oder lagern Sie das Gerät auf einer flachen, ebenen Ablage in sicherer Entfernung zum Rand der Arbeitsfläche, wo keine Gefahr besteht, dass es umgestoßen wird.

HINWEISE UND TIPPS

- Achten Sie bei der Zubereitung von klassischen und luxus Waffeln darauf, die Zutaten nicht zu stark zu vermengen. Diese Teige sind am besten, wenn sie leicht klumpig sind. Ein geschmeidiger Teig führt zu zähen Waffeln, die nicht gut aufgehen.
- Wenn Sie mehr als einen Stapel Waffeln backen, halten Sie die Waffeln im Ofen warm, bis die anderen fertig sind. Legen Sie die Waffeln einschichtig auf ein Ofenblech und stellen Sie den Ofen auf niedrige Hitze. So können alle ihre Waffeln gleichzeitig essen.
- Das Einfrieren und Aufwärmen von Waffeln ist einfach. Lassen Sie die Waffeln vollständig abkühlen und stapeln Sie dann jeweils 2 Waffeln, getrennt durch ein Stück Backpapier, aufeinander. Wickeln Sie die Waffeln in Frischhaltefolie ein oder geben Sie sie in eine Gefriertüte und frieren Sie sie ein. Um Sie wieder aufzuwärmen, geben Sie die Waffeln einfach in Ihren Toaster.

REZEPTE

Klassische Waffeln - 12 Stück

- 280 g Mehl
- 24 g Backpulver
- 50 g Zucker
- 1 Teelöffel Salz
- 425 ml Milch
- 1 Teelöffel Vanilleextrakt
- 3 große Eier
- 125 g geschmolzene Butter

1. Vermengen Sie Mehl, Backpulver, Zucker und Salz in einer Schüssel.
2. Vermengen Sie in einer zweiten Schüssel Milch, Vanilleextrakt und Eier.
3. Formen Sie eine Kuhle in der Schüssel mit den trockenen Zutaten und fügen Sie die Milchmischung und die Butter hinzu. Verrühren Sie die Zutaten zu einem leicht klumpigen Teig. Verrühren Sie die Zutaten nicht zu sehr. Lassen Sie den Teig einige Minuten stehen.
4. Heizen Sie den Waffelautomaten vor, bis die Bereitschaftsleuchte zu leuchten beginnt.
5. Fetten Sie beide Waffeleisen mit etwas ölbasiertem Kochspray ein und gießen Sie jeweils etwa 75 ml Teig in die Mitte der Backflächen.
6. Senken Sie den Deckel ab, ohne den Griff zu verriegeln. Backen Sie die Waffeln etwa 7 Minuten lang, bis sie goldbraun sind.

Köstlich mit griechischem Joghurt, frischen Beeren und ein paar Tropfen Honig.

Luxus Waffeln - 12 Stück

- 250 g Mehl
- 24 g Backpulver
- 1 Esslöffel Zucker
- ½ Teelöffel Salz
- 3 Eigelb, geschlagen
- 3 Eiweiß, steif geschlagen
- 400 ml Milch
- 115 ml Pflanzenöl

1. Vermengen Sie Mehl, Backpulver, Zucker und Salz in einer Schüssel.
2. Vermengen Sie in einer zweiten Schüssel Milch, Eigelb und Pflanzenöl.
3. Formen Sie eine Kuhle in der Schüssel mit den trockenen Zutaten und fügen Sie die Milchmischung hinzu. Verrühren Sie die Zutaten zu einem leicht klumpigen Teig. Verrühren Sie die Zutaten nicht zu sehr.
4. Heben Sie das steife Eiweiß unter den Teig und verrühren Sie die Zutaten nicht zu stark.
5. Heizen Sie den Waffelautomaten vor, bis die Bereitschaftsleuchte zu leuchten beginnt.

6. Fetten Sie beide Waffeleisen mit etwas ölbasiertem Kochspray ein und gießen Sie jeweils etwa 75 ml Teig in die Mitte der Backflächen.
7. Senken Sie den Deckel ab, ohne den Griff zu verriegeln. Backen Sie die Waffeln etwa 7 Minuten lang, bis sie goldbraun sind.

Wie wäre es mit einer Zitronenbaiser-Waffel? Einfach mit etwas Zitronenquark, zerbröseltem Baiser und Schlagsahne garnieren.

Schokoladewaffeln - 12 Stück

- 200 g Mehl
 - 100 g Zucker
 - 45 g Kakaopulver
 - 1 Teelöffel Salz
 - ½ Teelöffel Natron
 - 450 ml Milch
 - 1 Teelöffel Vanilleextrakt
 - 3 große Eier
 - 60 g Butter, geschmolzen und abgekühlt
 - 110 g Schokoladensplitter
1. Vermengen Sie Mehl, Zucker, Kakaopulver, Salz und Natron in einer Schüssel.
 2. Vermengen Sie in einer zweiten Schüssel Milch, Vanilleextrakt und Eier.
 3. Formen Sie eine Kuhle in der Schüssel mit den trockenen Zutaten und fügen Sie die Milchmischung und die Butter hinzu. Verrühren Sie die Zutaten zu einem geschmeidigen Teig.
 4. Rühren Sie die Schokoladensplitter ein.
 5. Heizen Sie den Waffelautomaten vor, bis die Bereitschaftsleuchte zu leuchten beginnt.
 6. Fetten Sie beide Waffeleisen mit etwas ölbasiertem Kochspray ein und gießen Sie jeweils etwa 75 ml Teig in die Mitte der Backflächen.
 7. Senken Sie den Deckel ab, ohne den Griff zu verriegeln. Backen Sie die Waffeln für etwa 7 Minuten.

Wie wäre es mit einer Garnitur aus Vanilleeis, gehackten Pistazien und frischen Himbeeren?

Chia-Vollkornwaffeln - 6 Stück

- 250 ml Buttermilch
 - 190 ml Milch
 - 50 g Zwiebelchutney
 - 1 Ei, geschlagen
 - 2 Esslöffel Chiasamen
 - 1 Teelöffel Vanilleextrakt
 - 160 g Vollkornmehl
 - 40 g Haferflocken
 - 25 g gemahlene Mandeln
 - 24 g Backpulver
 - 2 Teelöffel Zucker
 - ¼ Teelöffel Salz
1. Vermengen Sie Buttermilch, Milch, Zwiebelchutney, Eier, Chiasamen und Vanilleextrakt in einer mittelgroßen Schüssel.

GARANTIE

Bewahren Sie bitte unbedingt den Kaufbeleg auf. Dieser ist für die Geltendmachung von Garantieansprüchen zwingend erforderlich.

Die in diesem Dokument beschriebene Geräteggarantie gilt für einen Zeitraum von 2 Jahren ab Kaufdatum.

Sollte das Gerät entgegen allen Erwartungen innerhalb dieses Zeitraums aufgrund eines Konzeptions- oder Herstellungsfehlers nicht mehr einwandfrei funktionieren, können Sie es zusammen mit dem Kaufbeleg und einer Kopie dieses Garantiebelegs am Kaufort abgeben.

Die aus dieser Garantie erwachsenden Ansprüche und Leistungen sind als Ergänzung zu Ihren gesetzlichen Ansprüchen anzusehen. Diese werden von dieser Garantie nicht beeinträchtigt. Diese Bedingungen können ausschließlich durch Jarden Consumer Solutions (Europe) Limited ("JCS (Europe)") geändert werden.

JCS (Europe) verpflichtet sich innerhalb der Garantiedauer zur kostenlosen Reparatur oder zum kostenlosen Austausch des Geräts bzw. von Geräteteilen, die nachweislich nicht ordnungsgemäß funktionieren. Es gelten jedoch folgende Voraussetzungen:

- Sie müssen den Händler oder JCS (Europe) unverzüglich über das Problem informieren.
- An dem Gerät wurden keinerlei Änderungen vorgenommen, es wurde nur bestimmungsgemäß eingesetzt, nicht beschädigt und nicht von Personen repariert, die von JCS (Europe) nicht autorisiert wurden.

Mängel, die auf unsachgemäße Nutzung, Beschädigung, nicht zugelassene elektrische Spannung, Naturgewalten, Ereignisse außerhalb der Kontrolle durch JCS (Europe), Reparaturen oder Änderungen durch Personen, die von JCS (Europe) nicht autorisiert wurden, oder Nichtbeachtung der Nutzungsanweisungen zurückzuführen sind, werden von dieser Garantie nicht abgedeckt. Außerdem sind durch normale Gebrauchsabnutzung entstandene Mängel, wie beispielsweise geringfügige Verfärbungen und Kratzer, von dieser Garantie ausgenommen.

Die im Rahmen dieser Garantie eingeräumten Rechte gelten ausschließlich für den ursprünglichen Käufer und dürfen nicht auf die kommerzielle oder kommunale Nutzung ausgedehnt werden.

Elektrische Altgeräte dürfen nicht über den Hausmüll entsorgt werden. Geben Sie, falls möglich, diese Geräte bei geeigneten Rücknahmestellen ab. Wenn Sie weitere Informationen zur Rücknahme und Entsorgung von Elektrogeräten erhalten möchten, senden Sie bitte eine E-Mail an die Adresse enquiriesEurope@jardencs.com.

Jarden Consumer Solutions (Europe) Limited
5400 Lakeside
Cheadle Royal Business Park
Cheadle
SK8 3GQ
United Kingdom



Lassen Sie die Mischung 2 Minuten stehen, damit sich die Chiasamen vollsaugen können.

2. Vermengen Sie Mehl, Haferflocken, gemahlene Mandeln, Backpulver, Zucker und Salz in einer zweiten Schüssel.
3. Formen Sie eine Kühle in den trockenen Zutaten, fügen Sie die Milchmischung hinzu und verrühren Sie alles zu einem dicken, geschmeidigen Teig.
4. Heizen Sie den Waffelautomaten vor, bis die Bereitschaftsleuchte zu leuchten beginnt.
5. Fetten Sie beide Waffeleisen mit etwas ölbasiertem Kochspray ein und gießen Sie jeweils etwa 75 ml Teig in die Mitte der Backflächen.
6. Senken Sie den Deckel ab, ohne den Griff zu verriegeln. Backen Sie die Waffeln etwa 7 Minuten lang, bis sie goldbraun sind.

Servieren Sie die Waffeln mit etwas blanchiertem Spinat und einem pochierten Ei und schon haben Sie einen gesunden Snack.

Kartoffelwaffeln - 6 Stück

- 2 Esslöffel Butter
- 1 Zwiebel, fein gehackt
- 1 Teelöffel Knoblauch, fein gehackt
- 360 g Kartoffelbrei
- 30 g Mehl
- 2 Eier
- ¼ Teelöffel Salz
- ¼ Teelöffel gemahlener Pfeffer

1. Braten Sie die Zwiebeln und den Knoblauch in der Butter leicht an, bis sie weich sind (etwa 5 - 7 Minuten)
2. Geben Sie den Kartoffelbrei in eine Schüssel und fügen Sie die Zwiebelmischung, das Mehl, die Eier und die Gewürze hinzu. Vermengen Sie die Zutaten zu einem dicken, geschmeidigen Teig.
3. Heizen Sie den Waffelautomaten vor, bis die Bereitschaftsleuchte zu leuchten beginnt.
4. Fetten Sie beide Waffeleisen mit etwas ölbasiertem Kochspray ein und gießen Sie jeweils etwa 75 ml Teig in die Mitte der Backflächen.
5. Senken Sie den Deckel ab, ohne den Griff zu verriegeln. Backen Sie die Waffeln etwa 7 Minuten lang, bis sie goldbraun sind.

Servieren Sie die Kartoffelwaffeln zum Beispiel mit dünnen Steakstreifen, Rucola und etwas Balsam dressing.

INSTRUCCIONES IMPORTANTES DE SEGURIDAD

Léalas detenidamente y consérvelas para consultarlas en el futuro.

Este aparato puede ser utilizado por niños a partir de 8 años de edad y por personas con disminución de capacidades físicas, sensoriales o mentales o sin experiencia ni conocimientos si reciben supervisión o instrucciones relativas al uso seguro del aparato y comprenden los riesgos que implica. Los niños no deben jugar con el producto. La limpieza y el mantenimiento de usuario no deben ser realizados por niños a no ser que tengan 8 años o más y lo hagan con supervisión.

Mantenga el aparato y su cable fuera del alcance de niños menores de 8 años.

No utilice nunca el aparato debajo de armarios, cortinas u otros materiales inflamables.

No utilice nunca el aparato mediante un temporizador externo o un sistema de control remoto independiente.

⚠ No toque las partes metálicas del aparato durante su uso, ya que pueden estar muy calientes.

No utilice nunca el aparato mediante un temporizador externo o un sistema de control remoto independiente.

Si el cable de alimentación está dañado, deberá ser sustituido por el fabricante, su agente de servicio técnico o personas que cuenten con una cualificación equivalente para evitar posibles riesgos.

- Asegúrese siempre de que tiene las manos secas antes de manipular el enchufe o encender el aparato.
- Utilice siempre el aparato sobre una superficie estable, segura, seca y horizontal.
- Debe tener cuidado al utilizar el aparato sobre superficies sensibles al calor. Se recomienda utilizar una alfombrilla de material aislante.
- Este aparato no debe colocarse sobre superficies que puedan estar calientes (como una cocina eléctrica o de gas) ni en las proximidades de estas.

- Nunca permita que el cable de alimentación quede colgando del borde de una superficie de trabajo, que entre en contacto con superficies calientes, que presente nudos o que quede atrapado.
- No utilice el aparato si este se ha caído al suelo o si presenta signos visibles de daños.
- Asegúrese de que el aparato está apagado y desconectado de la toma eléctrica después de usarlo, antes de quitar o colocar las planchas de la gofrera y antes de limpiarlo.
- Deje siempre que el aparato se enfríe antes de limpiarlo o guardarlo.
- No sumerja el cuerpo, el cable o el conector en agua ni en ningún otro líquido.
- No deje nunca el aparato sin supervisión cuando lo esté utilizando.

PIEZAS

- 1 Pestillo
- 2 Asa
- 3 Ranuras de colocación
- 4 Elementos calefactores
- 5 Luz de encendido (verde)
- 6 Luz de preparado (ámbar)
- 7 Botones de liberación
- 8 Planchas de la gofrera con revestimiento DuraCeramic™ (2)
- 9 Salientes de colocación

ANTES DE USAR POR PRIMERA VEZ

- Desembale la gofrera. Puede que le resulte útil conservar el embalaje para utilizarlo en el futuro.
- Retire y lave a conciencia las planchas de la gofrera para quitar cualquier residuo que haya podido quedar del proceso de fabricación (siga las instrucciones que figuran en la sección *Limpieza*).
- Limpie la parte exterior de la gofrera con un paño suave y húmedo. La cubierta puede limpiarse con un paño suave y seco.

La primera vez que utilice la gofrera, puede que note un ligero olor a quemado y un poco de humo. Se trata de algo absolutamente normal que desaparece pronto.

CARACTERÍSTICAS

Planchas de la gofrera con revestimiento DuraCeramic™

Las planchas de la gofrera presentan el exclusivo revestimiento DuraCeramic™. Este revestimiento cerámico natural especializado está diseñado para transferir el calor más rápido y de manera más eficiente que los revestimientos antiadherentes estándar –lo que reduce el tiempo de cocción para obtener deliciosos aperitivos caseros. Asimismo, el revestimiento DuraCeramic™ es resistente a arañazos –se trata de un producto diseñado para que sea duradero. Para mayor tranquilidad, el exclusivo revestimiento DuraCeramic™ carece de PTFE y PFOA, además de ser duradero y fácil de limpiar.

Revestimiento DuraCeramic™ –diseñado para soportar lo que le echen.

UTILIZACIÓN DE LA GOFRERA

⚠ Tenga cuidado con las superficies calientes. Las planchas de la gofrera alcanzan elevadas temperaturas. NO toque ninguna pieza ni intente quitar o colocar las planchas de la gofrera hasta que esta se haya enfriado por completo.

Puede que salga vapor alrededor de la gofrera durante su funcionamiento.

No deje nunca la gofrera sin supervisión cuando la esté utilizando.

1. Conecte la gofrera a una toma eléctrica y encienda el interruptor si es preciso. El indicador de alimentación verde se encenderá y la gofrera comenzará a calentarse.
2. Cuando la gofrera se haya calentado por completo, se encenderá la luz ámbar que indica que está preparada. Esta luz se encenderá y se apagará durante la preparación de los gofres.
3. Desenganche el pestillo del asa y abra la tapa.
4. Vierta con cuidado la mezcla en la plancha inferior de la gofrera. Para obtener un gofre perfecto, recomendamos echar un cazo (alrededor de 75 ml) en el centro de cada cuadrícula de la plancha de la gofrera. Asegúrese de que no llene en exceso la plancha de la gofrera, ya que la mezcla podría desbordarse por los lados de la plancha.
5. Cierre la tapa. NO cierre el pestillo durante la cocción. Esto permite que el gofre suba y que se libere vapor (puede que observe que la tapa se levanta ligeramente conforme sube el gofre). Cocine el gofre conforme al tiempo indicado en la receta.
6. Cuando esté cocinado, abra la tapa. Tenga cuidado con el vapor que sale de la gofrera: utilice un paño de cocina o guantes de horno. Retire el gofre con una espátula no metálica. No utilice una cuchilla metálica, ya que puede dañar la superficie de DuraCeramic™ de las planchas.
7. Desconecte la gofrera de la toma eléctrica. No deje la gofrera conectada cuando no la esté utilizando.

LIMPIEZA

⚠ Desconecte y apague la gofrera y déjela enfriar por completo antes de limpiarla. No sumerja nunca el cuerpo, el cable o el conector en agua ni en ningún otro líquido.

No utilice nunca estropajos metálicos, estropajos abrasivos ni utensilios metálicos para limpiar la gofrera.

1. Pase un papel absorbente o un paño suave y húmedo por las planchas de la gofrera.
2. Limpie la parte exterior de la gofrera con un paño suave y húmedo. La cubierta puede limpiarse con un paño suave y seco.

3. Retire las planchas una a una. Apriete el correspondiente botón de liberación, levante la plancha y retírela del elemento calefactor.
4. Sumerja las planchas en agua caliente y jabonosa. Enjuáguelas con agua limpia. Pase después un paño suave.
Nota: Recomendamos lavar las planchas a mano exclusivamente para proteger el revestimiento DuraCeramic™.
5. Vuelva a colocar las planchas una a una. Alinee los salientes de colocación con las ranuras situadas en el lado de la bisagra de la gofrera. Presione suavemente la plancha para ajustarla al elemento calefactor.
Nota: La plancha inferior es ligeramente más llana que la superior. Cada plancha solo puede ajustarse en la posición correcta de la gofrera (inferior o superior).

ALMACENAMIENTO

- Deje que la gofrera se enfríe por completo antes de guardarla y asegúrese de que esté limpia.
- Cierre las planchas de la gofrera ajustando el pestillo. Recoja el cable en el recogeables.
- Guarde el producto en posición vertical. También puede dejarlo sobre una superficie plana y horizontal, alejado de los bordes, donde no pueda caer accidentalmente.

SUGERENCIAS Y TRUCOS

- Al preparar la mezcla para los gofres clásico y lujo, asegúrese de que no la bate en exceso. Lo ideal es que estas mezclas queden ligeramente grumosas. Al dejar la mezcla muy suave, los gofres quedan correosos y no suben bien.
- Si prepara más de una tanda de gofres, manténgalos calientes en el horno hasta que la siguiente tanda esté lista. Póngalos en una sola capa en una bandeja de horno y meta la bandeja en el horno a temperatura baja. Así, todos podrán disfrutar de los gofres a la vez.
- Congelar y recalentar los gofres es sencillo. Déjelos enfriar por completo y luego apile dos gofres separados por papel de horno. Envuélvalos en film transparente o en una bolsa de congelación y congélelos. Para recalentarlos, simplemente ponga los gofres congelados en el tostador.

RECETAS

Gofres clásicos – permite preparar 12 gofres

- 280 g de harina normal
- 2 cucharaditas de levadura
- 50 g de azúcar extrafino
- 1 cucharadita de sal
- 425 ml de leche
- 1 cucharadita de extracto de vainilla
- 3 huevos grandes
- 125 g de mantequilla derretida

1. Mezcle la harina, la levadura, el azúcar y la sal en un cuenco.
2. Bata con varillas la leche, el extracto de vainilla y los huevos en otro cuenco.
3. Haga un hueco en los ingredientes secos y añada la mezcla de la leche y la mantequilla. Bata con varillas hasta que los ingredientes se hayan mezclado más o menos; puede que la mezcla esté todavía ligeramente grumosa. No bata en exceso. Para obtener un resultado óptimo, deje reposar la mezcla unos minutos.
4. Precaliente la gofrera hasta que la luz de preparado se encienda.
5. Engrase ambas planchas de la gofrera con un poco de aceite de cocina en spray y luego vierta unos 75 ml de la mezcla uniformemente en el centro de cada cuadrícula de la plancha de la gofrera.
6. Baje la tapa pero no cierre el pestillo. Cocínelos durante 7 minutos aproximadamente para que se doren.

Están deliciosos cubiertos de yogur griego, frutos rojos frescos y un chorrito de miel.

Gofres de lujos – permite preparar 12 gofres

- 250 g de harina normal
- 2 cucharaditas de levadura
- 1 cucharada de azúcar
- ½ cucharadita de sal
- 3 yemas de huevo batidas
- 3 claras de huevos montadas
- 400 ml de leche
- 115 ml de aceite vegetal

1. Mezcle la harina, la levadura, el azúcar y la sal en un cuenco.
2. Bata con varillas la leche, las yemas de huevo y el aceite vegetal en otro cuenco.
3. Haga un hueco en los ingredientes secos y añada la mezcla de la leche. Bata con varillas hasta que los ingredientes se hayan mezclado más o menos; puede que la mezcla esté todavía ligeramente grumosa. No bata en exceso.
4. Añada despacio las claras batidas hasta que estén más o menos mezcladas; no las mezcle en exceso.
5. Precaliente la gofrera hasta que la luz de preparado se encienda.

6. Engrase ambas planchas de la gofrera con un poco de aceite de cocina en spray y luego vierta unos 75 ml de la mezcla uniformemente en el centro de cada cuadrícula de la plancha de la gofrera.
7. Baje la tapa pero no cierre el pestillo. Cocínelos durante 7 minutos aproximadamente para que se doren.

¿Qué tal preparar un gofre merengue al limón? Solo tiene que cubrirlos con crema de limón, merengue triturado y nata montada.

Gofres de chocolate – permite preparar 12 gofres

- 200 g de harina normal
- 100 g de azúcar extrafino
- 45 g de cacao en polvo
- 1 cucharadita de sal
- ½ cucharadita de bicarbonato
- 450 ml de leche
- 1 cucharadita de extracto de vainilla
- 3 huevos grandes
- 60 g de mantequilla derretida una vez enfriada
- 110 g de virutas de chocolate normal

1. Mezcle la harina, el azúcar, el cacao en polvo, la sal y el bicarbonato en un cuenco.
2. Bata con varillas la leche, el extracto de vainilla y los huevos en otro cuenco.
3. Haga un hueco en los ingredientes secos y añada la mezcla de la leche y la mantequilla. Bata con varillas hasta obtener una mezcla suave.
4. Añada las virutas de chocolate.
5. Precaliente la gofrera hasta que la luz de preparado se encienda.
6. Engrase ambas planchas de la gofrera con un poco de aceite de cocina en spray y luego vierta unos 75 ml de la mezcla uniformemente en el centro de cada cuadrícula de la plancha de la gofrera.
7. Baje la tapa pero no cierre el pestillo. Cocínelos durante 7 minutos aproximadamente.

¿Qué tal si los cubre de helado de vainilla, pistachos triturados y frambuesas frescas?

Gofres multigrano con chia – permite preparar 6 gofres

- 250 ml de suero de leche
- 190 ml de leche
- 50 g de chutney de cebolla
- 1 huevo batido
- 2 cucharadas de semillas de chia
- 1 cucharadita de extracto de vainilla
- 160 g de harina integral
- 40 g de copos de avena
- 25 g de almendra molida
- 2 cucharaditas de levadura
- 2 cucharaditas de azúcar
- ¼ de cucharadita de sal

1. Mezcle el suero de leche, la leche, el chutney de cebolla, el huevo, las semillas de chia y el extracto de vainilla en un

GARANTÍA

Guarde su recibo de compra, recibo ya que lo necesitará para cualquier reclamación dentro de esta garantía.

Este producto tiene una garantía de 2 años desde la fecha de compra tal como se describe en este documento.

Durante este período de garantía, en el improbable caso de que el aparato ya no funcione debido a un fallo de diseño o fabricación, devuélvalo al lugar donde lo compró con su su recibo de compra y una copia de esta garantía.

Los derechos y ventajas de esta garantía son adicionales a sus derechos estatutarios, que no se verán afectados por esta garantía. Sólo Jarden Consumer Solutions (Europe) Limited ("JCS (Europe)") tiene derecho a cambiar estos términos.

JCS (Europe) se compromete, durante el período de garantía, a reparar o cambiar el aparato, o cualquier parte del aparato que no funcione correctamente, de manera gratuita siempre que:

- Informe inmediatamente al establecimiento de compra o a JCS (Europe) del problema; y
- No se haya modificado el aparato de ninguna forma ni se haya sometido a daños, uso indebido, mal uso o reparación por cualquier otra persona no autorizada por JCS (Europe).

Los fallos que se produzcan por uso indebido, daños, mal uso, uso con un voltaje incorrecto, desastres naturales, acontecimientos que escapan al control de JCS (Europe), reparaciones o modificaciones realizadas por una persona no autorizada por JCS (Europe) o por no seguir las instrucciones de uso no están cubiertas por esta garantía. Además, el desgaste o deterioro debidos al uso normal, incluidos, sin limitación, los arañazos y las pequeñas decoloraciones no están cubiertos por esta garantía.

Los derechos de esta garantía sólo se aplicarán al comprador original y no se cubrirán el uso comercial o comunitario.

Si el aparato incluye una garantía específica de algún país, consulte los términos y condiciones de dicha garantía en sustitución de la presente garantía, o póngase en contacto con el comerciante autorizado de su localidad para obtener más información.

Los productos eléctricos desechados no se deben eliminar con la basura doméstica. Reciclelos donde existan instalaciones para tal fin. Envíenos un mensaje de correo electrónico a enquiriesEurope@jardencs.com para obtener más información sobre WEEE y el reciclaje.

Jarden Consumer Solutions (Europe) Limited
Edif. Vázquez Krasnow
C/ Camino de la Zarzuela, 21
1º - Oficina 1B
28023 – Aravaca
Madrid, España
Tel: +34 902 515 588



cuenco mediano. Deje que las semillas de chía se empapen y engorden durante 2 minutos.

2. Mezcle la harina, la avena, la almendra molida, la levadura, el azúcar y la sal en otro cuenco.
3. Haga un hueco en los ingredientes secos, añada la mezcla de la leche y bata con varillas hasta obtener una mezcla suave y espesa.
4. Precaliente la gofrera hasta que la luz de preparado se encienda.
5. Engrase ambas planchas de la gofrera con un poco de aceite de cocina en spray y luego vierta unos 75 ml de la mezcla uniformemente en el centro de cada cuadrícula de la plancha de la gofrera.
6. Baje la tapa pero no cierre el pestillo. Cocínelos durante 7 minutos aproximadamente para que se doren.

Para preparar un aperitivo saludable en cualquier momento, le sugerimos servir estos gofres con espinacas machacadas y un huevo pochado.

Gofres de patata – permite preparar 6 gofres

- 2 cucharadas de mantequilla
 - 1 cebolla picada finamente
 - 1 cucharadita de ajo picado finamente
 - 360 g de puré de patata
 - 30 g de harina normal
 - 2 huevos
 - ¼ de cucharadita de sal
 - ¼ de cucharadita de pimienta negra molida
1. Fría a fuego lento la cebolla y el ajo en la mantequilla hasta que estén blandos (unos 5–7 minutos).
 2. Coloque el puré de patata en un cuenco y añada la mezcla de la cebolla, la harina, los huevos y el aderezo. Mezcle bien hasta obtener una mezcla suave y espesa.
 3. Precaliente la gofrera hasta que la luz de preparado se encienda.
 4. Engrase ambas planchas de la gofrera con un poco de aceite de cocina en spray y luego vierta unos 75 ml de la mezcla uniformemente en el centro de cada cuadrícula de la plancha de la gofrera.
 5. Baje la tapa pero no cierre el pestillo. Cocínelos durante 7 minutos para que se doren.

Le sugerimos servir los gofres de patata cubiertos de tiras finas de filete, rúcula y aderezo balsámico.

INSTRUÇÕES DE SEGURANÇA IMPORTANTES

Leia com atenção e guarde-as para referência futura.

Este aparelho pode ser utilizado por crianças com mais de 8 anos e pessoas com capacidades físicas, sensoriais ou mentais reduzidas ou falta de experiência e conhecimento, se forem supervisionadas ou receberem instruções relacionadas com a utilização do aparelho numa área segura e compreenderem os riscos envolvidos. As crianças não devem brincar com o produto. A limpeza e manutenção de utilizador não devem ser realizadas por crianças, a não ser que tenham mais de 8 anos e sejam supervisionadas.

Mantenha o aparelho e o seu cabo seguramente fora do alcance de crianças com menos de 8 anos.

Nunca utilize o aparelho por baixo de armários ou cortinas ou outros materiais inflamáveis.

Nunca opere o aparelho por meios de um temporizador externo ou sistema de controlo remoto separado.

⚠ Não toque nas peças metálicas do aparelho durante a utilização, uma vez que podem ficar bastante quentes.

Nunca utilize este aparelho com outro objetivo que não aquele para o qual foi criado. Este aparelho serve apenas para utilização doméstica. Não utilize este aparelho em espaços exteriores.

Se o cabo de alimentação estiver danificado, deve ser substituído pelo fabricante, o respetivo agente de assistência ou pessoas semelhantes qualificadas, a fim de evitar acidentes.

- Certifique-se sempre de que tem as mãos secas antes de ligar a tomada ou ligar o aparelho.
- Utilize sempre o aparelho numa superfície estável, segura, seca e nivelada.
- É necessário cuidado quando usar o aparelho sobre superfícies que possam ser danificadas pelo calor. Recomenda-se a utilização de uma almofada isolante.

- Este utensílio não deve ser colocado sobre ou junto a qualquer potencial fonte de calor (como fornos a gás ou elétricos).
- Nunca permita que o cabo de alimentação fique pendurado na extremidade do balcão, em contacto com superfícies quentes ou que fique enlaçado, preso ou entalado.
- Não utilize o utensílio, caso ele tenha caído ou se estiver sinais visíveis de danos.
- Certifique-se de que o aparelho está desligado no interruptor e na tomada de alimentação, antes de remover ou substituir as placas para waffles e antes de limpar.
- Deixe sempre que o aparelho arrefeça antes de limpar ou arrumar.
- Não coloque o corpo principal, o cabo ou a ficha em água ou em qualquer espécie de líquido.
- Quando estiver a ser utilizado, nunca deixe o utensílio sem vigilância.

PEÇAS

- 1 Trinco
- 2 Pega
- 3 Ranhuras de posicionamento
- 4 Elementos térmicos
- 5 Luz de alimentação (verde)
- 6 Luz de pronto a utilizar (âmbar)
- 7 Botões de libertação
- 8 Placas para waffles com revestimento DuraCeramic™ (x2)
- 9 Patilhas de posicionamento

ANTES DA PRIMEIRA UTILIZAÇÃO

- Retire a forma para waffles da embalagem. Sugerimos que guarde a embalagem para uma utilização futura.
- Remova e lave bem as placas para waffles para remover quaisquer impurezas ou resíduos que possam ter ficado do processo de fabrico (siga as indicações em *Limpeza*).
- Limpe o exterior da forma para waffles com um pano húmido macio. A tampa pode ser limpa com um pano macio seco.

Da primeira vez que utilizar a forma para waffles, poderá notar um ligeiro cheiro a queimado e poderá surgir um pouco de fumo. Esta situação é completamente normal e desaparece rapidamente.

CARACTERÍSTICAS

Placas para waffles revestidas com DuraCeramic™

As placas para waffles possuem o revestimento exclusivo DuraCeramic™. Este revestimento de cerâmica natural especializado foi pensado para transferir o calor mais rapidamente e de forma mais eficiente do que os revestimentos anti-aderentes padrão - o que significa tempos de cozedura mais rápidos para os seus deliciosos snacks caseiros. Além disso, o revestimento DuraCeramic™ é resistente a riscos - este é um produto feito para durar. A paz de espírito provém do facto do revestimento DuraCeramic™ não conter PTFE e PFOA e este revestimento exclusivo é duradouro e fácil de limpar.

RevestimentoDuraCeramic™ – pensado para lidar facilmente com tudo o que lhe puser.

COMO UTILIZAR A SUA FORMA PARA WAFFLES

⚠ Tenha cuidado com as superfícies quentes. As placas para waffles ficam muito quentes. NÃO toque nos componentes nem tente retirar ou substituir as placas para waffles antes do aparelho ter arrefecido completamente.

Pode sair vapor à volta da forma para waffles durante a preparação dos alimentos.

Nunca deixe a forma para waffles sem supervisão enquanto estiver a uso.

1. Insira a ficha na tomada e ligue o interruptor da tomada, se necessário. Deve acender-se a luz verde que indica que a forma para waffles está ligada e que vai começar a aquecer.
2. Quando atingir a temperatura desejada, acende-se a luz âmbar, indicando que o aparelho está pronto a utilizar. Esta luz acende e apaga durante o processo de preparação dos alimentos.
3. Solte o trinco na pega e abra a tampa.
4. Deite cuidadosamente a mistura confeccionada na placa inferior. Para um waffle perfeito, recomendamos que deite uma concha de sopa (cerca de 75 ml) no centro de cada grelha da placa. Certifique-se de não encher demasiado a placa uma vez que a mistura pode derramar para fora.
5. Feche a tampa. NÃO feche o trinco durante a preparação de alimentos no aparelho. Deste modo, permitirá que o waffle cresça e que o vapor se liberte (verificará que a tampa sobe ligeiramente à medida que o waffle cresce). Cozinhe o waffle respeitando o tempo indicado na receita.
6. Quando o waffle estiver pronto, abra a tampa. Cuidado com o vapor que pode escapar. Utilize um pano da loiça ou use luvas de forno. Retire o waffle com uma espátula não metálica. Não utilize uma espátula metálica, uma vez que isto pode danificar a superfície das placas DuraCeramic™.
7. Desligue a forma para waffles da tomada de alimentação elétrica. Não deixe a forma para waffles ligada à tomada de alimentação elétrica quando não estiver a uso.

LIMPEZA

⚠ Desligue a forma para waffles e retire a ficha da tomada e, depois, deixe arrefecer completamente antes de a limpar. Nunca coloque o corpo principal, o cabo ou a ficha em água ou em qualquer espécie de líquido.

Nunca utilize palha de aço, esfregão, detergentes abrasivos ou utensílios metálicos para limpar a forma para waffles.

1. Limpe as placas para waffles com papel absorvente ou com um pano húmido macio.
2. Limpe o exterior da forma para waffles com um pano húmido macio. A tampa pode ser limpa com um pano macio seco.
3. Retire uma placa de cada vez. Prima o botão de libertação correspondente e retire a placa do elemento térmico.

4. Coloque as placas em água quente com detergente. Passe por água limpa. Seque bem com um pano macio.

Nota: Recomendamos que lave as placas para waffles apenas à mão, a fim de preservar o revestimento DuraCeramic™.

5. Volte a colocar as placas uma a uma. Coloque as patilhas de posicionamento nas ranhuras situadas no lado da dobradiça da forma para waffles. Pressione ligeiramente a placa para a fixar no devido lugar sobre o elemento térmico.

Nota: A placa inferior é ligeiramente menos profunda do que a de cima. Cada uma das placas apenas pode encaixar na posição correta da forma para waffles (inferior ou superior).

ARMAZENAMENTO

- Deixe que a forma para waffles arrefeça totalmente antes de a guardar e certifique-se de que o aparelho está limpo.
- Fixe as placas para waffle uma na outra prendendo o trinco para fechar. Enrole o cabo na respetiva área de armazenamento.
- Guarde o aparelho na vertical. Alternativamente, numa superfície plana e nivelada, longe da extremidade e onde não possa ser facilmente derrubado.

SUGESTÕES E DICAS

- Quando preparar a mistura para waffles clássicos e belgas, não deve misturar muito bem os ingredientes. O ideal é deixar estas misturas com aspeto ligeiramente grumoso. As massas muito bem misturadas resultarão em waffles massudos que não crescem bem.
- Se estiver a preparar mais de uma dose de waffles, mantenha os primeiros quentinhos no forno enquanto faz os outros. Coloque os primeiros numa só camada num tabuleiro de ir ao forno e coloque-os no forno a baixa temperatura. Deste modo, todos poderão saborear os seus waffles ao mesmo tempo.
- Congelar e reaquecer waffles é fácil. Deixe arrefecer completamente e, depois, empilhe os waffles dois a dois com um pedaço de papel vegetal entre eles. Envolve com película aderente ou coloque dentro de um saco apropriado e congele. Para reaquecer, basta colocar os waffles congelados na torradeira.

RECEITAS

Waffles clássico – 12 unidades

- 280g de farinha simples
- 2 colheres de chá de fermento em pó
- 50 g de açúcar em pó
- 1 colher de chá de sal
- 425ml de leite
- 1 colher de chá de extrato de baunilha
- 3 ovos grandes
- 125 g de manteiga derretida

1. Numa tigela, misture a farinha, o fermento em pó, o açúcar e o sal.
2. Numa tigela à parte, bata o leite, o extrato de baunilha e os ovos.
3. Faça um buraco nos ingredientes secos e adicione a mistura do leite juntamente com a manteiga. Bata tudo até ficar uma mistura não uniforme de aspeto algo grumoso. Não misture demais. Para melhores resultados, deixe a mistura descansar durante alguns minutos.
4. Pré-aqueça a forma para waffles até a luz de pronto se acender.
5. Unte as duas placas para waffles com um pouco de spray alimentar à base de óleo, em seguida deite de forma uniforme cerca de 75 ml de mistura para waffle no centro de cada grelha da placa para waffles.
6. Baixe a tampa mas não feche o trinco. Deixe cozinhar durante cerca de 7 minutos até ficarem dourados.

Ficam deliciosos com cobertura de iogurte grego, frutos silvestres frescos e um fio de mel.

Waffles belgas – 12 unidades

- 250 g de farinha simples
- 2 colheres de chá de fermento em pó
- 1 colher de sopa de açúcar
- ½ colher de chá de sal
- 3 gemas de ovo, batidas
- 3 claras de ovo, batidas em castelo
- 400ml de leite
- 115 ml de óleo vegetal

1. Numa tigela, misture a farinha, o fermento em pó, o açúcar e o sal.
2. Numa tigela à parte, bata o leite, as gemas e o óleo vegetal.
3. Faça um buraco nos ingredientes secos e adicione a mistura com leite. Bata tudo até ficar uma mistura não uniforme de aspeto algo grumoso. Não misture demais.
4. Envolve delicadamente as claras batidas em castelo até formar uma mistura não uniforme. Não misture bem.
5. Pré-aqueça a forma para waffles até a luz de pronto se acender.
6. Unte as duas placas para waffles com um pouco de spray alimentar à base de óleo, em seguida deite de forma uniforme cerca de 75 ml de mistura para waffle no centro de cada grelha da placa para waffles.

7. Baixe a tampa mas não feche o trinco. Deixe cozinhar durante cerca de 7 minutos até ficarem dourados.

Experimente confeccionar um waffle de suspiro de limão! Basta cobrir com creme de limão, suspiro esmagado e chantilly.

Waffles de chocolate – 12 unidades

- 200g de farinha simples
- 100g de açúcar em pó
- 45 g de cacau em pó
- 1 colher de chá de sal
- ½ colher de chá de fermento em pó
- 450ml de leite
- 1 colher de chá de extrato de baunilha
- 3 ovos grandes
- 60 g de manteiga derretida, arrefecida
- 110 g de pepitas de chocolate simples

1. Numa tigela, misture a farinha, o açúcar, o cacau em pó, o sal e o fermento em pó.
2. Numa tigela à parte, bata o leite, o extrato de baunilha e os ovos.
3. Faça um buraco nos ingredientes secos e adicione a mistura do leite juntamente com a manteiga. Bata tudo muito bem até obter uma mistura uniforme.
4. Adicione as pepitas de chocolate e misture.
5. Pré-aqueça a forma para waffles até a luz de pronto se acender.
6. Unte as duas placas para waffles com um pouco de spray alimentar à base de óleo, em seguida deite de forma uniforme cerca de 75 ml de mistura para waffle no centro de cada grelha da placa para waffles.
7. Baixe a tampa mas não feche o trinco. Cozinhe durante aproximadamente 7 minutos.

Experimente com uma cobertura de gelado de baunilha, pistachos esmagados e framboesas frescas!

Waffles multi-sementes de chia – 6 unidades

- 250 ml de soro de leite
- 190 ml de leite
- 50 g de chutney de cebola
- 1 ovo, batido
- 2 colheres de sopa de sementes de chia
- 1 colher de chá de extrato de baunilha
- 160 g de farinha do tipo granary flour
- 40 g de flocos de aveia prensados
- 25 g de amêndoa ralada
- 2 colheres de chá de fermento em pó
- 2 colheres de chá de açúcar
- ¼ colher de chá de sal

1. Numa tigela de tamanho médio, misture o soro de leite, o leite, o chutney de cebola, o ovo, as sementes de chia e o extrato de baunilha. Deixe repousar durante 2 minutos de modo a demolhar as sementes para que inchem.
2. Numa tigela à parte, misture a farinha, a aveia, a amêndoa ralada, o açúcar e o sal.

- Faça um buraco nos ingredientes secos e adicione a mistura à base de leite. Bata até formar uma massa espessa uniforme.
- Pré-aqueça a forma para waffles até a luz de pronto se acender.
- Unte as duas placas para waffles com um pouco de spray alimentar à base de óleo, em seguida deite de forma uniforme cerca de 75 ml de mistura para waffle no centro de cada grelha da placa para waffles.
- Baixe a tampa mas não feche o trinco. Deixe cozinhar durante cerca de 7 minutos até ficarem dourados.

Para uma refeição ligeira saudável, experimente servir estes waffles com espinafes ligeiramente cozinhados e um ovo escalfado!

Waffles de batata – 6 unidades

- 2 colheres de sopa de manteiga
 - 1 cebola, finamente picada
 - 1 colher de chá de alho, finamente picado
 - 360 g de batata esmagada
 - 30g de farinha simples
 - 2 ovos
 - ¼ colher de chá de sal
 - ¼ colher de chá de pimenta preta moída
- Aloire a cebola e o alho na manteiga até amolecer (cerca de 5 a 7 minutos).
 - Coloque a batata esmagada numa tigela e adicione a mistura de cebola, farinha, ovos e tempero. Misture bem até formar uma mistura espessa e uniforme.
 - Pré-aqueça a forma para waffles até a luz de pronto se acender.
 - Unte as duas placas para waffles com um pouco de spray alimentar à base de óleo, em seguida deite de forma uniforme cerca de 75 ml de mistura para waffle no centro de cada grelha da placa para waffles.
 - Baixe a tampa mas não feche o trinco. Deixe cozinhar durante cerca de 7 minutos até ficarem dourados.

Experimente servir os waffles de batata com cobertura de tiras finas de bife, rúcula e vinagre balsâmico!

GARANTIA

Guarde o seu recibo, já que ele será necessário para quaisquer reclamações ao abrigo desta garantia.

Este produto tem uma garantia de 2 anos após a compra, conforme o descrito neste documento.

Durante este período de garantia, no caso improvável de o aparelho deixar de funcionar devido a um defeito de concepção ou fabrico, devolva-o ao local da compra, acompanhado do recibo e de uma cópia desta garantia.

Os direitos e benefícios adquiridos ao abrigo desta garantia complementam e não afectam os seus direitos legais. Apenas a Jarden Consumer Solutions (Europe) Limited (“JCS (Europe)”) tem o direito de alterar estes termos.

A JCS (Europe) compromete-se, durante o período da garantia, a reparar ou substituir o aparelho ou qualquer peça do mesmo que não funcione devidamente, sem encargos, desde que:

- Comunique prontamente ao local de compra ou à JCS (Europe) o problema; e
- o aparelho não tenha sofrido qualquer alteração, nem tenha sido sujeito a danos, uso indevido, abuso, reparação ou alteração por alguém não autorizado pela JCS (Europe).

Esta garantia não cobre as avarias resultantes de uso indevido, danos, abuso, uso de voltagem incorrecta, actos da natureza, eventos fora do controlo da JCS (Europe), reparações ou alterações por alguém não autorizado pela JCS (Europe) ou incumprimento das instruções de utilização. A garantia não cobre igualmente o desgaste normal, incluindo, entre outros, ligeira descoloração e riscos.

Os direitos adquiridos ao abrigo desta garantia aplicam-se apenas ao comprador original e não são extensíveis a uma utilização comercial ou colectiva.

Se o seu aparelho incluir uma garantia ou um certificado específico para o país, por favor consulte os termos e as condições dessa garantia ou certificado em vez desta, ou contacte o seu revendedor local autorizado para mais informações.

A eliminação de produtos eléctricos não deve ser feita juntamente com o lixo doméstico. Recicle nas instalações corretas. Envie-nos um email para enquiriesEurope@jardencs.com para mais informação sobre reciclagem e REEE.

Jarden Consumer Solutions (Europe) Limited
 Edif. Vázquez Krasnow
 C/ Camino de la Zarzuela, 21
 1º - Oficina 1B
 28023 – Aravaca
 Madrid, España
 Tel: +34 902 515 588



IMPORTANTI INFORMAZIONI SULLA SICUREZZA

Leggere queste istruzioni prima di azionare l'apparecchio e conservarle per poterle consultare in futuro.

L'apparecchio può essere utilizzato da bambini di 8 anni o più e da individui con ridotte capacità fisiche, sensoriali o mentali, o privi di esperienza, se sotto supervisione oppure qualora siano state loro impartite istruzioni in merito all'utilizzo sicuro dell'apparecchio e qualora comprendano i rischi che ne possono derivare. I bambini non devono giocare con l'apparecchio. I bambini non devono eseguire la pulizia e la manutenzione a meno che non siano di età superiore agli 8 anni e sotto supervisione.

Tenere l'apparecchio e il cavo elettrico al di fuori della portata di bambini di età inferiore a 8 anni.

Non utilizzare mai l'apparecchio sotto armadi o tende oppure altri materiali infiammabili.

Non azionare mai l'apparecchio per mezzo di un timer esterno o di un telecomando separato.

⚠ Non toccare le parti metalliche dell'apparecchio durante l'utilizzo in quanto esse possono surriscaldarsi.

Non utilizzare mai il presente apparecchio per fini diversi da quello della sua destinazione d'uso. Il presente apparecchio è destinato esclusivamente all'uso domestico. Non utilizzare l'apparecchio all'aperto.

Nel caso in cui il cavo di alimentazione sia danneggiato, deve essere sostituito dalla casa produttrice, dal servizio di assistenza o da persone debitamente qualificate al fine di evitare possibili rischi.

- Controllare sempre che le mani siano asciutte prima di maneggiare la presa o di accendere l'apparecchio.
- Utilizzare sempre l'apparecchio su una superficie stabile, sicura, asciutta e piana.
- Adottare la debita cautela quando si utilizza l'apparecchio su superfici che potrebbero subire danni provocati dal calore. Si raccomanda l'utilizzo di un tappetino isolante.

- L'apparecchio non deve essere collocato sopra o in prossimità di superfici potenzialmente calde (come cucine a gas o elettriche).
- Evitare sempre che il cavo di alimentazione penzoli sopra il bordo di un piano di lavoro, tocchi superfici calde o si attorcigli, resti intrappolato o schiacciato.
- Non utilizzare l'apparecchio nel caso in cui sia stato fatto cadere o presenti segni visibili di danneggiamento.
- Verificare che l'apparecchio sia spento e scollegato dalla presa di alimentazione dopo l'uso, prima della rimozione o sostituzione delle piastre per waffle e prima della pulizia.
- Lasciare sempre raffreddare l'apparecchio prima della pulizia o della conservazione.
- Non immergere il corpo principale, il set di cavi o la spina nell'acqua o in liquidi di qualsiasi tipo.
- Non lasciare mai l'apparecchio incustodito quando in uso.

COMPONENTI

- 1 Chiusura
- 2 Impugnatura
- 3 Scanalature per il posizionamento
- 4 Elementi riscaldanti
- 5 Spia di accensione (verde)
- 6 Spia di pronto (arancione)
- 7 Pulsanti di rilascio
- 8 Piastre per waffle con rivestimento in DuraCeramic™ (x2)
- 9 Linguette di posizionamento

PRIMA DEL PRIMO UTILIZZO

- Disimballare la macchina per waffle. Può essere utile conservare i materiali di imballaggio per riutilizzarli in futuro.
- Rimuovere e lavare accuratamente le piastre per waffle al fine di eliminare eventuali impurità o residui lasciati dal processo di fabbricazione (attenersi alle istruzioni della sezione *Pulizia*).
- Pulire l'esterno della macchina per waffle con un panno morbido inumidito. Il coperchio può essere pulito con un panno morbido asciutto.

Tenere presente che, in occasione del primo utilizzo della macchina per waffle, si potrebbe percepire un lieve odore di bruciato e un po' di fumo. Si tratta di un fenomeno assolutamente normale, destinato a scomparire rapidamente.

CARATTERISTICHE**Piastre per waffle con rivestimento in DuraCeramic™**

Le piastre per waffle sono dotate dell'esclusivo rivestimento in DuraCeramic™. Questo particolare rivestimento in ceramica naturale è stato progettato per trasferire il calore in modo più rapido ed efficiente rispetto ai rivestimenti antiaderenti standard, il che significa tempi di cottura più veloci per deliziosi spuntini cucinati in casa. Inoltre, il rivestimento DuraCeramic™ è resistente ai graffi: questo è un prodotto costruito per durare nel tempo. La tranquillità

deriva dal fatto che DuraCeramic™ è privo di PTFE e PFOA, quindi questo rivestimento esclusivo è durevole e facile da pulire.

Rivestimento DuraCeramic™ – progettato per gestire qualsiasi ingrediente senza problemi.

UTILIZZO DELLA MACCHINA PER WAFFLE

▲ Procedere con cautela con le superfici calde. Le piastre per waffle diventano molto calde. NON toccare alcun componente e non tentare di rimuovere o riposizionare le piastre per waffle prima che l'apparecchio si sia raffreddato completamente.

Durante la cottura, dalla macchina per waffle potrebbe fuoriuscire del vapore.

Non lasciare mai la macchina per waffle incustodita quando è in uso.

1. Collegare la macchina per waffle alla presa elettrica dell'alimentazione di rete e accendere l'interruttore qualora necessario. La spia di accensione verde si accende e la macchina per waffle comincia a riscaldarsi.
2. Quando la macchina per waffle è completamente calda, la spia di pronto arancione si accende. Tale spia si accende e si spegne durante la cottura.
3. Sganciare il fermo sull'impugnatura e aprire il coperchio.
4. Versare delicatamente la miscela per pastella nella piastra inferiore. Per ottenere waffle perfetti, si consiglia di versare un mestolo (circa 75 ml) al centro di ciascuna griglia della piastra per waffle. Assicurarsi di non riempire in modo eccessivo la piastra per waffle in quanto la miscela potrebbe fuoriuscire dai bordi della piastra.
5. Chiudere il coperchio. NON agganciare il fermo durante la cottura. In questo modo il waffle può gonfiarsi e il vapore fuoriuscire (si potrebbe notare che il vassoio si solleva leggermente mentre il waffle si gonfia). Cuocere il waffle in base al tempo indicato nella ricetta.
6. Al termine della cottura, aprire il coperchio. Prestare attenzione alla fuoriuscita di vapore; utilizzare uno strofinaccio o indossare guanti da forno. Rimuovere il waffle con una spatola non metallica. Non utilizzare una lama metallica, onde evitare di danneggiare la superficie in DuraCeramic™ delle piastre.
7. Scollegare la macchina per waffle dalla presa dell'alimentazione di rete. Non lasciare collegata la macchina per waffle quando non in uso.

PULIZIA

▲ Scollegare e spegnere la macchina per waffle, quindi lasciarla raffreddare completamente prima della pulizia. Non immergere il corpo principale, il set di cavi o la spina nell'acqua o in liquidi di qualsiasi tipo.

Non utilizzare mai lana d'acciaio, pagliette, detersivi abrasivi o utensili metallici per pulire la macchina per waffle.

1. Pulire le piastre per waffle con carta assorbente o con un panno morbido inumidito.

2. Pulire l'esterno della macchina per waffle con un panno morbido inumidito. Il coperchio può essere pulito con un panno morbido asciutto.
3. Rimuovere una piastra per volta. Premere il pulsante di rilascio corrispondente e sollevare la piastra allontanandola dall'elemento riscaldante.
4. Immergere le piastre in acqua tiepida saponata. Risciacquare con acqua pulita. Asciugare con un panno morbido. Nota: si raccomanda di lavare le piastre esclusivamente a mano, al fine di preservare il rivestimento in DuraCeramic™.
5. Sostituire una piastra per volta. Guidare le linguette di posizionamento nelle apposite scanalature situate sul lato delle cerniere della macchina per waffle. Premere delicatamente la piastra per bloccarla in posizione sull'elemento riscaldante. Nota: la piastra inferiore è leggermente più sottile di quella superiore. Ciascuna piastra combacia esclusivamente con la posizione appropriata (superiore o inferiore) della macchina per waffle.

CONSERVAZIONE

- Attendere che la macchina per waffle si raffreddi completamente prima di riportarla e verificare che l'unità sia pulita.
- Bloccare insieme le piastre per waffle chiudendo il fermo. Avvolgere il cavo nell'apposito vano.
- Conservare l'apparecchio in posizione verticale. In alternativa, su una superficie orizzontale, a livello, lontano dal bordo e dove non può essere fatta cadere facilmente.

CONSIGLI E SUGGERIMENTI

- Durante la preparazione della pastella per i waffle classici e di lusso, assicurarsi di non mescolare in modo eccessivo. Idealmente, le pastelle dovranno essere leggermente grumose. Se le pastelle sono troppo uniformi, il risultato saranno waffle gommosi che non si gonfiano bene.
- Nel caso in cui si preparino più di 1 serie di waffle, tenerle in caldo in forno fino a quando le altre sono pronte. Disporre in un singolo strato in un vassoio da forno e mettere in forno a fuoco basso. In questo modo tutti possono gustare i waffle contemporaneamente.
- Congelare e riscaldare nuovamente i waffle non è difficile. Lasciare raffreddare completamente, quindi impilare 2 waffle con uno strato di carta da forno fra l'uno e l'altro. Avvolgere in una pellicola per uso alimentare o un sacchetto da freezer e congelare. Per riscaldare, introdurre i waffle surgelati nel tostapane.

RICETTE

Waffle classici – 12 porzioni

- 280g di farina normale
- 2 cucchiaini di lievito
- 50g di zucchero semolato
- 1 cucchiaino di sale
- 425 ml di latte
- 1 cucchiaino di estratto di vaniglia
- 3 uova grandi
- 125 g di burro sciolto

1. Mescolare la farina, il lievito, lo zucchero e il sale in una terrina.
2. Montare il latte, l'estratto di vaniglia e le uova in una terrina a parte.
3. Disporre a fontana gli ingredienti secchi e aggiungere la miscela di latte insieme al burro. Montare insieme fino a unire grossolanamente; la pastella sarà ancora leggermente grumosa. Non miscelare eccessivamente. Per ottenere risultati ottimali, lasciare riposare la pastella per alcuni minuti.
4. Preriscaldare la macchina per waffle fino a quando la spia di pronto si accende.
5. Ungere entrambe le piastre per waffle con un po' di spray per cottura a base di olio, quindi versare 75 ml circa di pastella distribuendola in modo uniforme al centro di ciascuna griglia della piastra per waffle.
6. Abbassare il coperchio senza agganciare il fermo. Cuocere per circa 7 minuti fino alla doratura.

Delizioso se guarnito con yogurt alla greca, frutti di bosco freschi e un filo di miele.

Waffle di lusso – 12 porzioni

- 250g di farina normale
- 2 cucchiaini di lievito
- 1 cucchiaino di zucchero
- ½ cucchiaino di sale
- 3 tuorli d'uovo, sbattuti
- 3 albumi, sbattuti
- 400ml di latte
- 115 ml di olio

1. Mescolare la farina, il lievito, lo zucchero e il sale in una terrina.
2. Montare il latte, i tuorli d'uovo e l'olio in una terrina a parte.
3. Disporre a fontana gli ingredienti secchi e aggiungere la miscela di latte. Montare insieme fino a unire grossolanamente; la pastella sarà ancora leggermente grumosa. Non miscelare eccessivamente.
4. Versare delicatamente gli albumi sbattuti fino a unirli grossolanamente; non miscelare in modo eccessivo.
5. Preriscaldare la macchina per waffle fino a quando la spia di pronto si accende.
6. Ungere entrambe le piastre per waffle con un po' di spray per cottura a base di olio, quindi versare 75 ml circa di pastella distribuendola in modo uniforme al centro di ciascuna griglia della piastra per waffle.

7. Abbassare il coperchio senza agganciare il fermo. Cuocere per circa 7 minuti fino alla doratura.

Perché non provare a preparare un waffle alla meringa di limone? Basta guarnire con crema al limone, meringa sbriciolata e panna montata.

Waffle al cioccolato – 12 porzioni

- 200 g di farina normale
- 100 g di zucchero semolato
- 45 g di cacao in polvere
- 1 cucchiaino di sale
- ½ cucchiaino di bicarbonato di sodio
- 450 ml di latte
- 1 cucchiaino di estratto di vaniglia
- 3 uova grandi
- 60 g di burro sciolto, fatto precedentemente raffreddare
- 110 g di gocce di cioccolato

1. Miscelare la farina, lo zucchero, il cacao in polvere, il sale e il bicarbonato di sodio in una terrina.
2. Montare il latte, l'estratto di vaniglia e le uova in una terrina a parte.
3. Disporre a fontana gli ingredienti secchi e aggiungere la miscela di latte insieme al burro. Montare insieme fino a ottenere una pastella senza grumi.
4. Aggiungere le gocce di cioccolato.
5. Preriscaldare la macchina per waffle fino a quando la spia di pronto si accende.
6. Ungere entrambe le piastre per waffle con un po' di spray per cottura a base di olio, quindi versare 75 ml circa di pastella distribuendola in modo uniforme al centro di ciascuna griglia della piastra per waffle.
7. Abbassare il coperchio senza agganciare il fermo. Cuocere per circa 7 minuti.

Perché non provare a guarnire con gelato alla vaniglia, pistacchi frantumati e lamponi freschi?

Waffle ai multicereali con semi di chia – 6 porzioni

- 250 ml di latticello
- 190 ml di latte
- 50 g di chutney di cipolle
- 1 uovo sbattuto
- 2 cucchiaini di semi di chia
- 1 cucchiaino di estratto di vaniglia
- 160 g di farina integrale
- 40 g di fiocchi d'avena
- 25 g di mandorle tritate
- 2 cucchiaini di lievito
- 2 cucchiaini di zucchero
- ½ cucchiaino di sale

1. Mescolare il latticello, il latte, il chutney di cipolle, l'uovo, i semi di chia e l'estratto di vaniglia in una terrina di grandezza media. Attendere 2 minuti per lasciare che i semi di chia si bagnino e si appesantiscano.

- Mescolare la farina, i fiocchi d'avena, le mandorle tritate, il lievito, lo zucchero e il sale in una terrina a parte.
- Disporre a fontana gli ingredienti secchi e aggiungere la miscela di latte, quindi sbattere fino a ottenere una pastella spessa omogenea.
- Preriscaldare la macchina per waffle fino a quando la spia di pronto si accende.
- Ungere entrambe le piastre per waffle con un po' di spray per cottura a base di olio, quindi versare 75 ml circa di pastella distribuendola in modo uniforme al centro di ciascuna griglia della piastra per waffle.
- Abbassare il coperchio senza agganciare il fermo. Cuocere per circa 7 minuti fino alla doratura.

Per uno spuntino sano, perché non servire i waffle con spinaci freschi e un uovo in camicia?

Waffle con patate – 6 porzioni

- 2 cucchiaini di burro
 - 1 cipolla, tritata finemente
 - 1 cucchiaino di aglio, tritato finemente
 - 360 g di purè di patate
 - 30 g di farina normale
 - 2 uova
 - ½ cucchiaino di sale
 - ¼ di cucchiaino di pepe nero macinato
- Soffriggere delicatamente la cipolla e l'aglio nel burro fino ad ammorbidire (circa 5–7 minuti).
 - Mettere il purè di patate in una terrina e aggiungere la miscela di cipolle, la farina, le uova e le spezie. Mescolare bene fino a formare una pastella spessa e omogenea.
 - Preriscaldare la macchina per waffle fino a quando la spia di pronto si accende.
 - Ungere entrambe le piastre per waffle con un po' di spray per cottura a base di olio, quindi versare 75 ml circa di pastella distribuendola in modo uniforme al centro di ciascuna griglia della piastra per waffle.
 - Abbassare il coperchio senza agganciare il fermo. Cuocere per 7 minuti fino a ottenere la doratura.

Perché non servire i waffle alle patate con guarnizioni di fettine di carne, rucola e un condimento balsamico?

GARANZIA

Conservare lo scontrino d'acquisto poiché esso sarà necessario per qualsiasi reclamo esposto in base alle condizioni di questo certificato di garanzia. Questo prodotto è garantito per 2 anni dall'acquisto, secondo le modalità descritte nel presente documento. Durante il decorso della garanzia, nell'improbabile eventualità che l'apparecchiatura si guasti a causa di un problema tecnico o di fabbricazione, riportarla al punto d'acquisto insieme allo scontrino fiscale e ad una copia di questo certificato di garanzia.

I diritti spettanti all'acquirente in base alle condizioni di questo certificato di garanzia sono in aggiunta a quelli previsti dalla legge che non risultano alterati dalle condizioni di questo certificato. Solo Jarden Consumer Solutions (Europe) Ltd. ("JCS (Europe)") ha l'autorità di modificare queste condizioni.

JCS (Europe) si impegna a riparare o a sostituire gratuitamente nell'arco del periodo di garanzia qualsiasi parte dell'apparecchiatura dovesse risultare difettosa, a condizione che:

- Si segnali tempestivamente il problema al punto d'acquisto o a JCS (Europe); e
- l'apparecchiatura non sia stata modificata in alcun modo né soggetta a danni, uso improprio o abuso, a riparazione o alterazione per opera di un tecnico non autorizzato da JCS (Europe).

I guasti intervenuti durante l'uso normale, per uso improprio, danno, abuso, tensione incorretta, cause naturali, eventi non determinati da JCS (Europe), riparazione o alterazione per opera di un tecnico non autorizzato da JCS (Europe) o la mancata ottemperanza alle istruzioni d'uso sono esclusi dalla presente garanzia. Inoltre, l'uso normale compreso, a titolo di esempio, una lieve alterazione del colore (sbiadimento) e i graffi, non sono coperti dalla presente garanzia.

I diritti spettante all'utente ai sensi della presente garanzia si applicano unicamente all'acquirente originale e non si estendono all'uso commerciale o comunitario.

Se l'apparecchiatura è fornita con un accordo specifico per il paese o una cartolina di garanzia, consultare le condizioni di tale accordo, che prevalgono su quelle esposte in questa sede oppure rivolgersi a un rivenditore autorizzato per ulteriori informazioni.

I prodotti elettrici vanno smaltiti separatamente dai rifiuti domestici. Consegnarli ad un centro di riciclaggio, se disponibile. Scrivere a enquiriesEurope@jardencs.com per istruzioni sul riciclaggio e informazioni sulla direttiva RAEE.

Jarden Consumer Solutions (Europe) Limited
5400 Lakeside
Cheadle Royal Business Park
Cheadle
SK8 3GQ
United Kingdom



BELANGRIJKE VEILIGHEIDSLINSTRUCTIES

Zorgvuldig lezen en bewaren voor toekomstig gebruik.

Dit apparaat kan worden gebruikt door kinderen van 8 jaar en ouder en personen met beperkt fysiek, zintuiglijk of mentaal vermogen, of een gebrek aan ervaring en kennis, indien zij voldoende begeleiding of instructies hebben ontvangen over het veilige gebruik van het apparaat en zij de eventuele gevaren ervan begrijpen. Laat kinderen niet met dit apparaat spelen. Reiniging en onderhoud door kinderen is alleen toegestaan indien zij 8 jaar of ouder zijn en onder toezicht van een volwassene.

Houd het apparaat en het snoer buiten het bereik van kinderen jonger dan 8 houden.

Gebruik het apparaat nooit onder keukenkastjes, gordijnen of andere brandbare materialen.

Het apparaat niet gebruiken in combinatie met een tijdschakelaar of een afstandsbediening.

⚠ Tijdens gebruik de metalen delen van het apparaat niet aanraken; deze kunnen erg heet worden.

Dit apparaat niet gebruiken voor een ander doel dan het bestemde doel. Dit apparaat is uitsluitend voor huishoudelijk gebruik. Het is niet geschikt voor gebruik buiten.

Indien het stroomsnoer is beschadigd, dient dit door de fabrikant, zijn onderhoudsbedrijf of gelijksoortige erkende personen te worden vervangen om gevaren te voorkomen.

- Altijd zorgen dat uw handen droog zijn alvorens de stekker in het stopcontact te steken of te verwijderen of het apparaat aan te zetten.
- Altijd zorgen dat het apparaat op een stabiel, stevig, droog en plat oppervlak staat.
- Wees voorzichtig wanneer het apparaat wordt gebruikt op een hittegevoelig oppervlak. U wordt aanbevolen een warmtebestendige onderzetter te gebruiken.
- Dit apparaat mag niet op of in de buurt van oppervlakken worden geplaatst die heet kunnen worden (zoals een fornuis).

- Het stroomsnoer nooit over de rand van een werkblad of aanrecht laten hangen, in aanraking laten komen met hete oppervlakken, of in de knoop, vast of bekneld laten raken.
- Het apparaat niet gebruiken als het is gevallen of zichtbare beschadiging vertoont.
- Na gebruik, alvorens wafelplaten aan te brengen of te verwijderen en alvorens het apparaat te reinigen, altijd controleren of het apparaat is uitgeschakeld en de stekker uit het stopcontact is verwijderd.
- Het apparaat altijd goed laten afkoelen voordat dit wordt gereinigd of opgeborgen.
- Geen enkel deel van het apparaat of het stroomsnoer onderdompelen in water of een andere vloeistof.
- Het apparaat nooit onbeheerd achterlaten wanneer dit in werking is.

ONDERDELEN

- 1 Vergrendeling
- 2 Handgreep
- 3 Wafelplaatsleuven
- 4 Verwarmingselementen
- 5 Aan/uit-lampje (groen)
- 6 Gereed-lampje (oranje)
- 7 Ontgrendelknoppen
- 8 Wafelplaten met DuraCeramic™ anti-aanbaklaag (2 stuks)
- 9 Wafelplaatlijpjes

VÓÓR HET EERSTE GEBRUIK

- Neem uw wafelapparaat uit de doos. U kunt de doos eventueel bewaren voor toekomstig gebruik.
- Verwijder en was de wafelplaten grondig af om eventuele verontreiniging of resten te verwijderen die na de productie zijn achtergebleven (volg de aanwijzingen in het gedeelte *Reinigen*).
- Neem de buitenkant van uw wafelapparaat af met een vochtige doek. De klep kan met een zachte, droge doek worden opgepoetst.

De eerste keer dat het wafelapparaat wordt gebruikt, kan er een vage brandlucht en een lichte rook worden waargenomen. Dit is normaal en is slechts van korte duur.

FUNCTIES

Wafelplaten met DuraCeramic™ anti-aanbaklaag

De wafelplaten zijn voorzien van de exclusieve DuraCeramic™ anti-aanbaklaag. Deze speciale, natuurlijke ceramische coating brengt warmte sneller en efficiënter over dan standaard anti-aanbaklagen, zodat u in minder tijd verrukkelijke snacks kunt bereiden. De DuraCeramic™ anti-aanbaklaag is bovendien krasbestendig: dit product is ontwikkeld met het oog op duurzaamheid! Voor extra gemoedsrust is DuraCeramic™ vrij van PTFE en PFOA. Deze exclusieve anti-aanbaklaag gaat lang mee en is makkelijk te reinigen.

DuraCeramic™ anti-aanbaklaag: bereid heerlijke snacks met het grootste gemak.

UW WAFELAPPARAAT GEBRUIKEN

⚠ Wees voorzichtig als u in de buurt van hete oppervlakken werkt. De wafelplaten worden erg heet. Zorg dat u GEEN onderdelen aanraakt en probeer nooit de wafelplaten te verwijderen of plaatsn tot ze volledig zijn afgekoeld.

Tijdens gebruik kan er stoom rondom het apparaat vrijkomen.

Laat het apparaat tijdens gebruik nooit onbeheerd achter.

1. Steek de stekker van uw wafelapparaat in het stopcontact en schakel het stopcontact indien nodig in. Het groene aan/uit-lampje gaat branden en uw wafelapparaat begint op te warmen.
2. Als uw wafelapparaat de juiste temperatuur heeft bereikt, gaat het oranje lampje branden. Tijdens gebruik gaat dit lampje zo nu en dan uit en weer aan.
3. Ontgrendel het handvat en zet de klep omhoog.
4. Giet het beslag voorzichtig op de onderste wafelplaat. Voor de perfecte wafel raden we u aan een volle gietpel (ongeveer 75 ml) in het midden van elk roosten van de wafelplaat te gieten. Wees voorzichtig dat u de wafelplaat niet te vol maakt, aangezien het beslag dan over de rand van de plaat kan lopen.
5. Sluit de klep. Vergrendel de klep NIET tijdens gebruik. Zo kan de wafel voldoende rijzen en kan de stoom ontsnappen (de klep kan iets naar boven komen als de wafel rijst). Bak de wafel volgens de tijdsduur in het recept.
6. Open de klep wanneer de wafel klaar is. Er kan hierbij hete stoom ontsnappen, dus gebruik een theedoek of ovenwanten. Verwijder de wafel met een kunststof of houten spatel. Gebruik geen metalen spatel; hiermee kan de DuraCeramic™ anti-aanbaklaag van de platen beschadigd raken.
7. Neem de stekker van het wafelapparaat uit het stopcontact. Laat de stekker niet in het stopcontact zitten wanneer het wafelapparaat niet wordt gebruikt.

REINIGEN

⚠ Schakel het wafelapparaat uit en verwijder de stekker uit het stopcontact. Laat het apparaat volledig afkoelen voordat dit wordt gereinigd. Dompel het apparaat, het stroom snoer en de stekker nooit onder in water of andere vloeistof.

Gebruik geen staalwol, schuursponsjes, schuurmiddelen of metalen voorwerpen om uw wafelapparaat te reinigen.

1. Neem de wafelplaten af met absorberend papier of met een zachte vochtige doek.
2. Neem de buitenkant van uw wafelapparaat af met een vochtige doek. De klep kan met een zachte, droge doek worden opgepoetst.
3. Verwijder één plaat tegelijk. Druk op de bijbehorende ontgrendelknop en neem de plaat van het verwarmingselement.
4. Dompel de platen onder in warm water met afwasmiddel. Spoel ze goed af met schoon water. Droog ze af met een zachte doek.

Opmerking: U wordt aanbevolen de wafelplaten uitsluitend met de hand af te wassen om de DuraCeramic™ anti-aanbaklaag te beschermen.

5. Plaats één plaat tegelijk. Plaats de wafelplaatlipjes in de sleuven aan de scharmierzijde van het wafelapparaat. Duw de plaat voorzichtig op zijn plaats op het verwarmingselement.
Opmerking: De onderste plaat is iets ondieper dan de bovenste plaat. Elke plaat past alleen op de juiste plaats in het wafelapparaat (boven of onder).

OPBERGEN

- Laat het wafelapparaat volledig afkoelen en maak het schoon voordat het wordt opgeborgen.
- Vergrendel de klep. Wikkel het snoer in de hiervoor bestemde ruimte.
- Berg het apparaat rechtopstaand op. Of zet dit op een platte, vlakke ondergrond uit de buurt van de rand van het werkblad op een plek waar het apparaat niet kan omvallen.

HINTS EN TIPS

- Zorg er bij het maken van klassieke en luxe wafels voor dat u het beslag niet te sterk klopt of mengt. Voor deze wafels moet het beslag nog iets klonterig zijn. Als het beslag te glad en egaal is, krijgt u taaiere wafels die niet goed rijzen.
- Als u meerdere porties wafels maakt, houd de wafels dan warm in de oven tot de andere porties klaar zijn. Leg ze in een enkele laag op een bakplaat en plaats deze in een op lage stand voorverwarmede oven. Zo kan iedereen tegelijk van de wafels genieten.
- Wafels kunnen eenvoudig worden ingevroren en opnieuw opgewarmd. Laat ze helemaal afkoelen en maak dan stapels van 2 wafels met een laag bakpapier ertussen. Verpak ze in plastic folie of in een vrieszak en leg ze in de diepvries. De ingevroren wafels kunnen gewoon in uw broodrooster worden opgewarmd.

RECEPTEN

Klassieke wafels, 12 stuks

- 280 gram bloem
- 2 theelepels bakpoeder
- 50 gram fijne kristalsuiker
- 1 theelepel zout
- 425 ml melk
- 1 theelepel vanille-extract
- 3 grote eieren
- 125 gram gesmolten boter

1. Meng de bloem, bakpoeder, suiker en het zout in een kom.
2. Klop in een andere kom de melk, vanille-extract en eieren op.
3. Maak in het midden van de droge ingrediënten een kuiltje en giet hier het melkmengsel en de gesmolten boter in. Meng dit even kort; de ingrediënten moeten amper zijn vermengd en het beslag moet iets klonterig zijn. Mix het beslag niet te veel. Laat voor de beste resultaten het beslag even een paar minuten staan.
4. Verwarm het wafelapparaat tot het Gereed-lampje gaat branden.
5. Vet beide wafelplaten licht in met een oliespray en giet dan ongeveer 75 ml beslag in het midden van het rooster van elke wafelplaat.
6. Sluit de klep maar vergrendel deze niet. Bak gedurende ongeveer 7 minuten tot de wafels goudbruin zijn.

Verrukkelijk met Griekse yoghurt, verse bosvruchten en besprenkeld met honing.

Luxe wafels, 12 stuks

- 250 gram bloem
- 2 theelepels bakpoeder
- 1 eetlepel suiker
- ½ theelepel zout
- 3 eierdooiers, geklopt
- het eiwit van 3 eieren, stijf geklopt
- 400 ml melk
- 115 ml plantaardige olie

1. Meng de bloem, bakpoeder, suiker en het zout in een kom.
2. Klop in een andere kom de melk, eierdooiers en plantaardige olie.
3. Maak in de droge ingrediënten een kuiltje en giet hier het melkmengsel in. Meng dit even kort; de ingrediënten moeten amper zijn vermengd en het beslag moet iets klonterig zijn. Mix het beslag niet te veel.
4. Schep voorzichtig het stijf geklopte eiwit door het mengsel tot dit amper is vermengd. Mix het beslag niet te veel.
5. Verwarm het wafelapparaat tot het Gereed-lampje gaat branden.
6. Vet beide wafelplaten licht in met een oliespray en giet dan ongeveer 75 ml beslag in het midden van het rooster van elke wafelplaat.

7. Sluit de klep maar vergrendel deze niet. Bak gedurende ongeveer 7 minuten tot de wafels goudbruin zijn.

Trek in een wafel met Citroenschuimgebak? Beleg de wafel met lemon curd, verbrokkeld schuimgebak en slagroom.

Chocoladewafels, 12 stuks

- 200 gram bloem
- 100 gram fijne kristalsuiker
- 45 gram cacao-poeder
- 1 theelepel zout
- ½ theelepel zuiveringszout (baking soda)
- 450 ml melk
- 1 theelepel vanille-extract
- 3 grote eieren
- 60 gram gesmolten boter, gekoeld
- 110 gram pure chocoladedruppels

1. Meng de bloem, suiker, cacao-poeder, het zout en zuiveringszout (baking soda) in een kom.
2. Klop in een andere kom de melk, vanille-extract en eieren op.
3. Maak in het midden van de droge ingrediënten een kuiltje en giet hier het melkmengsel en de gesmolten boter in. Klop dit tot een gelijkmatig, romig beslag.
4. Roer de chocoladedruppels door het beslag.
5. Verwarm het wafelapparaat tot het Gereed-lampje gaat branden.
6. Vet beide wafelplaten licht in met een oliespray en giet dan ongeveer 75 ml beslag in het midden van het rooster van elke wafelplaat.
7. Sluit de klep maar vergrendel deze niet. Bak de wafels ongeveer 7 minuten.

Deze wafels zijn bijvoorbeeld heerlijk met een topping van vanille roomijs, verbrokkelde pistachenoten en verse frambozen.

Meergrenenwafels met chia, 6 stuks

- 250 ml karnemelk
- 190 ml melk
- 50 gram uienchutney
- 1 geklopt ei
- 2 eetlepels chia-zaden
- 1 theelepel vanille-extract
- 160 gram volkorenmeel
- 40 gram gerolde havermout
- 25 gram gemalen amandelen
- 2 theelepels bakpoeder
- 2 theelepels suiker
- ¼ theelepel zout

1. Meng de karnemelk, melk, uienchutney, het ei, de chia-zaden en vanille-extract in een middelmatig grote kom. Laat het mengsel 2 minuten staan om de chia-zaden te laten verdikken.
2. Meng de bloem, havermout, amandelen, bakpoeder, suiker en het zout in een aparte kom.
3. Maak een kuiltje in de droge ingrediënten en giet hier het melkmengsel in. Klop het geheel tot een glad, egaal beslag.

- Verwarm het wafelapparaat tot het Gereed-lampje gaat branden.
- Vet beide wafelplaten licht in met een oliespray en giet dan ongeveer 75 ml beslag in het midden van het rooster van elke wafelplaat.
- Sluit de klep maar vergrendel deze niet. Bak gedurende ongeveer 7 minuten tot de wafels goudbruin zijn.

Serveer deze wafels met wat zacht gekookte spinazie en een zacht gepocheerd eitje voor een gezonde snack.

Aardappelwafels, 6 stuks

- 2 eetlepels boter
 - 1 ui, gesnipperd
 - 1 teentje knoflook, fijngesneden
 - 360 gram aardappelpuree
 - 30 gram bloem
 - 2 eieren
 - ¼ theelepel zout
 - ¼ theelepel gemalen zwarte peper
- Fruit de uitjes en knoflook langzaam tot ze zacht zijn (ongeveer 5 tot 7 minuten).
 - Doe de aardappelpuree in een schaal en voeg hier het mengsel van ui en knoflook, de bloem, eieren en peper en zout naar smaak aan toe. Meng het mengsel goed tot er een glad, dik beslag ontstaat.
 - Verwarm het wafelapparaat tot het Gereed-lampje gaat branden.
 - Vet beide wafelplaten licht in met een oliespray en giet dan ongeveer 75 ml beslag in het midden van het rooster van elke wafelplaat.
 - Sluit de klep maar vergrendel deze niet. Bak gedurende ongeveer 7 minuten tot de wafels goudbruin zijn.

Aardappelwafels zijn bijvoorbeeld verrukkelijk met een topping van dun gesneden biefstuk, rucola en balsamicoazijn.

GARANTIE

Bewaar uw reçu omdat u dit nodig hebt wanneer u een garantieclaim wilt indienen.

Het product wordt tot 2 jaar na de aanschafdatum gegarandeerd, zoals beschreven in dit document.

In het onwaarschijnlijke geval dat het apparaat tijdens de garantieperiode defect raakt door een ontwerp- of fabricagefout, brengt u het samen met uw reçu en een kopie van deze garantie terug naar de plaats van aanschaf.

Uw rechten en voordelen onder deze garantie staan los van uw wettelijke rechten, waarop deze garantie geen invloed heeft. Alleen JCS (Europe) Products (Europa) Ltd. ("JCS (Europe)") is gerechtigd deze voorwaarden te wijzigen.

JCS (Europe) verplicht zich ertoe binnen de garantieperiode het apparaat of ieder onderdeel van het apparaat dat niet juist werkt, gratis te repareren of vervangen op voorwaarde dat:

- U het probleem onmiddellijk meldt bij de plaats van aankoop of bij JCS (Europe), en dat
- het apparaat niet gewijzigd, beschadigd, onjuist gebruikt, misbruikt of gerepareerd is door een persoon die daartoe niet door JCS (Europe) is gemachtigd.

Storingen die optreden als gevolg van onjuist gebruik, schade, misbruik, gebruik met het verkeerde voltage, natuurrampen, gebeurtenissen die buiten de macht van JCS (Europe) vallen, reparatie door een persoon die daartoe niet is gemachtigd door JCS (Europe) of het niet opvolgen van de gebruiksinstructies, vallen niet onder deze garantie. Bovendien valt normale slijtage, inclusief maar niet beperkt tot lichte verkleuring en krassen, niet onder deze garantie.

De rechten onder deze garantie zijn alleen van toepassing op de oorspronkelijke koper en kunnen niet worden uitgebreid naar commercieel of algemeen gebruik.

Als uw apparaat onder een landspecifieke garantie valt, raadpleegt u de voorwaarden van die garantie in plaats van deze garantie, of neemt u contact op met uw lokale erkende dealer voor meer informatie.

Afgedankte elektrische producten mogen niet bij het huishoudelijk afval worden gegooid. Maak indien mogelijk gebruik van recyclemogelijkheden. E-mail ons op enquiriesEurope@jardencs.com voor meer recycling- en WEEE-informatie

Jarden Consumer Solutions (Europe) Limited
5400 Lakeside
Cheadle Royal Business Park
Cheadle
SK8 3GQ
United Kingdom



TÄRKEITÄ TURVAOHJEITA

LUE TARKOIN JA PIDÄ TALLESSA.

Kahdeksan vuotta täyttäneet lapset, fyysisesti tai henkisesti vammaiset, aistivammaiset ja riittävästä kokemuksesta tai tietämyksestä vailla olevat saavat käyttää laitetta, jos heitä on ohjattu tai opastettu laitteen turvallisessa käytössä ja jos he ymmärtävät sen käyttöön liittyvät riskit. Laitetta ei ole tarkoitettu lasten leikkikaluksi. Lapset eivät saa puhdistaa tai huoltaa laitetta, elleivät he ole yli kahdeksanvuotiaita ja aikuisen valvonnassa.

Pidä laite ja sen virtajohto alle 8-vuotiaiden lasten ulottumattomissa.

Älä koskaan käytä laitetta kaappien, verhojen äläkä muiden syttyvien materiaalien alla.

Älä koskaan käytä laitetta ulkoisen ajastimen tai erillisen kaukosäädinjärjestelmän välityksellä.

⚠ Älä koske laitteen metalliosiin käytön aikana, sillä ne voivat olla erittäin kuumia.

Laitetta saa käyttää vain sen aiottuun käyttötarkoitukseen. Laite on tarkoitettu vain kotitalouskäyttöön. Laitetta ei ole tarkoitettu ulkokäyttöön.

Jos laitteen virtajohto vaurioituu, se on turvallisuussyistä vaihdettava valmistajan, valtuutetun huoltoedustajan tai muun pätevän henkilön toimesta.

- Varmista aina, että kätesi ovat kuivat, ennen kuin käsittelet pistoketta tai kytket laitteeseen virtaa.
- Laitteen on käytön aikana oltava vakaalla, kuivalla ja tasaisella alustalla.
- Käytä laitetta varovasti pinnoilla, jotka eivät kestä lämpöä. Lämmöltä suojaavan alustan käyttöä suositellaan.
- Laitetta ei saa laittaa kuumille pinnoille (kuten kaasus- tai sähköhelleille) tai sellaisten läheisyyteen.
- Älä koskaan anna laitteen virtajohton roikkua pöydän reunan yli, koskettaa kuumaa pintaa, päästä takertumaan tai joutua solmulle tai puristuksiin.
- Laitetta ei saa käyttää, jos se on päässyt putoamaan tai jos siinä näkyy vaurioita.

- Katkaise laitteesta käytön jälkeen virta ja irrota virtajohto pistorasiasta ennen vohvelilevyjen irrotusta tai asettamista paikalleen ja laitteen puhdistamista.
- Anna laitteen jäähtyä aina, ennen kuin puhdistat laitetta tai laitat sitä säilytykseen.
- Älä upota varsinaista laitetta, johtoja tai pistotulppaa veteen tai muuhun nesteeseen.
- Älä koskaan jätä laitetta valvomatta, kun se on käytössä.

OSAT

- 1 Salpa
- 2 Kahva
- 3 Asetusaukot
- 4 Kuumennuselementit
- 5 Virran merkkivalo (vihreä)
- 6 Valmiustilan merkkivalo (keltainen)
- 7 Vapautuspainikkeet
- 8 DuraCeramic™-pinnoitetut vohvelilevyt (2 kpl)
- 9 Asetuskiekkheet

ENNEN ENSIMMÄISTÄ KÄYTTÖKERTAA

- Ota vohvelirauta pois pakkauksesta. Voit säilyttää pakkauksen mahdollista myöhempää tarvetta varten.
- Irrota ja pese vohvelilevyt huolellisesti mahdollisista valmistusprosessin epäpuhtauksista ja ainejäämistä (katso *Puhdistus*-kohdan ohjeet).
- Puhdista vohvelirauta ulkopuolelta pehmeällä kostealla liinalla. Kannen kiillottamiseen voi käyttää pehmeää kuivaa liinaa.

Huomaa, että kun vohvelirautaa käytetään ensimmäistä kertaa, ilmassa voi tuntua hienoista palaneen hajua ja savua. Tämä on aivan normaalia, ja hajua ja savua hälvenevät pian.

OMINAISUUDET

DuraCeramic™-pinnoitetut vohvelilevyt

Vohvelilevyissä on ainutlaatuinen DuraCeramic™-pinnoite. Luonnonkeraaminen erikoispinnoite on suunniteltu siirtämään lämpöä nopeammin ja tehokkaammin kuin tavalliset tarttumattomat pinnoitteet, mikä nopeuttaa herkullisten välipalojen ja pikkupurtavien valmistusta kotona. Lisäksi DuraCeramic™-pinnoite on vaikeastinaarmuuntuva, joten tuote on pitkäikäinen. DuraCeramic™-pinnoite ei sisällä PTFE- eikä PFOA-kemikaaleja, joten sen käyttö on turvallista. Ainutlaatuinen pinnoite on kestävä ja helppo puhdistaa.

DuraCeramic™-pinnoite on suunniteltu selviämään kaikista ruoanlaittoon liittyvistä haasteista.

VOHVELIRAUDAN KÄYTTÖ

▲ Ole varovainen kuumien paistopintojen läheisyydessä. Vohvelilevyt kuumenevat erittäin kuumiksi ÄLÄ kosketa mitään osaa tai yritä poistaa vohvelilevyjä tai asettaa niitä takaisin paikalleen ennen kuin ne ovat täysin jäähtyneet.

Vohveliraudasta voi tulla höyryä käytön aikana. Vohvelirautaa täytyy valvoa jatkuvasti käytön ajan.

1. Kytke vohvelirauta pistorasiaan ja kytke pistorasiaan tarvittaessa virta. Vihreä virran merkkivalo syttyy, ja vohvelirauta kuumenee.
2. Kun vohvelirauta on täysin kuumentunut, keltainen valmiustilan merkkivalo syttyy. Tämä valo syttyy ja sammuu laitteen käytön aikana.
3. Avaa kahvan salpa ja avaa kansi.
4. Kaada taikina varovasti alemmalle vohvelilevyille. Parhaat tulokset saadaan, kun taikinaa kaadetaan kauhallinen (noin 75 ml) vohvelilevyn kummakin ruudun keskelle. Älä kaada taikinaa liikaa, jotta sitä ei valu levyn reunojen yli.
5. Sulje kansi. ÄLÄ sulje salpaa vohvelien valmistuksen aikana. Näin vohveli voi kohota ja höyry vapautuu. (Kansi voi hieman nousta, kun vohveli kohoaa.) Paista vohvelia reseptissä kerrotun ajan verran.
6. Kun vohveli on paistunut, avaa kansi. Varo laitteesta tulevaa höyryä ja käytä käsipyyhettä tai patalappuja. Irrota vohveli muovisella tai puisella lastalla. Älä käytä metallilastaa, koska se voi vaurioittaa levyjen DuraCeramic™-pinnoitetta.
7. Irrota vohveliraudan virtajohto pistorasiasta. Älä jätä vohveliraudan virtajohtoa pistorasiaan, kun sitä ei käytetä.

PUHDISTUS

▲ Katkaise vohveliraudasta virta, irrota pistoke pistorasiasta ja anna sen jäähtyä kokonaan ennen puhdistusta. Älä upota laitteen runkoa, virtajohtoa tai pistoketta minkäänlaiseen veteen tai nesteeseen.

Älä puhdistaa vohvelirautaa teräsvillalla, hankaussienillä, syövyttävillä puhdistusaineilla tai metallisilla keittiövälineillä.

1. Pyyhi vohvelilevyt imukykyisellä paperilla tai pehmeällä kostealla liinalla.
2. Puhdistaa vohvelirauta ulkopuolelta pehmeällä kostealla liinalla. Kannen kiillottamiseen voi käyttää pehmeää kuivaa liinaa.
3. Irrota yksi levy kerrallaan. Paina levyn vapautuspainiketta ja nosta levy pois kuumennuselementiltä.
4. Upota levyt lämpimään pesuaineeseen. Huuhtelee puhtaalla vedellä. Kuivaa pehmeällä liinalla.
Huomaa: Suosittelemme pesemään levyt aina käsin, jotta DuraCeramic™-pinnoite ei vahingoittuisi.

5. Aseta yksi levy kerrallaan paikalleen. Työnnä asetuskiekkheet vohveliraudan saranasivulla oleviin aukkoihin. Paina levyä kevyesti, jotta se lukittuu paikalleen kuumennuselementin päälle.
Huomaa: Alalevy on hieman ylälevyä matalampi. Kumpikin levy sopii vain omalle paikalleen vohveliraudassa (ylös tai alas).

SÄILYTYS

1. Anna vohveliraudan jäähtyä täysin ja puhdistaa se ennen säilytykseen siirtämistä.
2. Lukitse vohvelilevyt yhteen sulkemalla salpa. Kiedo johto johdon säilytystilaan.
3. Säilytä laitetta pystyasennossa. Vaihtoehtoisesti voit säilyttää sitä tasaisella alustalla etäällä reunasta, jottei se pääse putoamaan.

OHJEITA JA VINKKEJÄ

- Älä sekoita perinteisten tai ylellisyys vohvelien taikinaa liikaa. Nämä taikinat ovat parhaimmillaan hieman kokkareisina. Liian tasaisesta taikinasta tehdyt vohvelit ovat sitkeitä, eivätkä ne kohoa hyvin.
- Jos valmistat useamman kuin yhden erän vohveleita, pidä valmiita vohveleita lämpimässä uunissa, kunnes muut erät ovat valmiit. Asettele vohvelit yhteen kerrokseen uuninpellille, laita pelti uuniin ja pidä uunin lämpö matalana. Näin vohvelit voidaan syödä samaan aikaan.
- Vohvelien pakastaminen ja uudelleen kuumentaminen on helppoa. Anna vohvelien jäähtyä kokonaan ja asettele kaksi vohvelia päällekkäin niin, että niiden väliin tulee leivinpaperia. Kääri muovikelmuun tai aseta pakastepussiin ja pakasta. Vohvelit on helppo kuumentaa uudelleen leivänpaahittimessa.

RESEPTIT

Perinteiset vohvelit – 12 kpl

- 280 g vehnä jauhoa
 - 2 tl leivinjauhetta
 - 50 g hieno sokeria
 - 1 tl suolaa
 - 425 ml maitoa
 - 1 tl vaniljauutetta
 - 3 isoa kananmunaa
 - 125 g voita, sulatettuna
1. Sekoita jauhot, leivinjauhe, sokeri ja suola kulhossa.
 2. Vatkaa maito, vaniljauute ja munat toisessa kulhossa.
 3. Tee kuivien ainesten keskelle aukko ja lisää siihen maitoseos ja voi. Vatkaa taikinaa niin, että se jää hieman kokkareiseksi. Älä vatkaa liikaa. Parhaat tulokset saadaan, kun taikinan annetaan levätä pari minuuttia.
 4. Esikuumenna vohvelirautaa, kunnes valmiustilan merkivalo syttyy.
 5. Voitele molemmat vohvelilevyt pienellä määrällä sumutettavaa öljyä ja kaada sitten noin 75 ml taikinaa tasaisesti vohvelilevyn kummakin ruudun keskelle.
 6. Laske kansi, mutta älä sulje salpaa. Paista noin seitsemän minuuttia, kunnes pinta on kullanruskea.

Vohvelit ovat herkullisia kreikkalaisen jogurtin, marjojen ja hunajan kanssa.

Ylellisyys vohvelit – 12 kpl

- 250 g vehnä jauhoa
 - 2 tl leivinjauhetta
 - 1 rkl sokeria
 - ½ tl suolaa
 - 3 munankeltuista, vatkatuna
 - 3 munanvalkuaista, kovaksi vatkatuna
 - 400 ml maitoa
 - 115 ml kasviöljyä
1. Sekoita jauhot, leivinjauhe, sokeri ja suola kulhossa.
 2. Vatkaa maito, munankeluiset ja kasviöljy toisessa kulhossa.
 3. Tee kuivien ainesten keskelle aukko ja lisää siihen maitoseos. Vatkaa taikinaa niin, että se jää hieman kokkareiseksi. Älä vatkaa liikaa.
 4. Kääntelee kovaksi vatkatut munanvalkuiset varovasti taikinaan. Älä sekoita liikaa.
 5. Esikuumenna vohvelirautaa, kunnes valmiustilan merkivalo syttyy.
 6. Voitele molemmat vohvelilevyt pienellä määrällä sumutettavaa öljyä ja kaada sitten noin 75 ml taikinaa tasaisesti vohvelilevyn kummakin ruudun keskelle.
 7. Laske kansi, mutta älä sulje salpaa. Paista noin seitsemän minuuttia, kunnes pinta on kullanruskea.

Kokeile sitruuna-marenkipiirakkavohvelia! Lisää vohvelin päälle sitruunatauhnaa, murskattua marenkia ja kermavaahtoa.

Suklaavohvelit – 12 kpl

- 200 g vehnä jauhoa
 - 100 g hieno sokeria
 - 45 g kaakaojauhetta
 - 1 tl suolaa
 - ½ tl ruokasoodaa
 - 450 ml maitoa
 - 1 tl vaniljauutetta
 - 3 isoa kananmunaa
 - 60 g sulatettua voita, jäähtyneenä
 - 110 g tummia suklaahippuja
1. Sekoita jauhot, sokeri, kaakaojauho, suola ja ruokasooda kulhossa.
 2. Vatkaa maito, vaniljauute ja munat toisessa kulhossa.
 3. Tee kuivien ainesten keskelle aukko ja lisää siihen maitoseos ja voi. Vatkaa tasaiseksi taikinaksi.
 4. Sekoita suklaahiput taikinaan.
 5. Esikuumenna vohvelirautaa, kunnes valmiustilan merkivalo syttyy.
 6. Voitele molemmat vohvelilevyt pienellä määrällä sumutettavaa öljyä ja kaada sitten noin 75 ml taikinaa tasaisesti vohvelilevyn kummakin ruudun keskelle.
 7. Laske kansi, mutta älä sulje salpaa. Paista noin seitsemän minuuttia.

Nauti vohvelit esimerkiksi vaniljajäätelön, murskattujen pistaasipähkinöiden ja vadelmien kera.

Chia-moniviljavohvelit – 6 kpl

- 250 ml kimupiiimää
 - 190 ml maitoa
 - 50 g sipulichutneytä
 - 1 muna, vatkatuna
 - 2 rkl chia-siemeniä
 - 1 tl vaniljauutetta
 - 160 g hiivaleipävehnä jauhoa
 - 40 g kaurahiutaleita
 - 25 g mantelijauhetta
 - 2 tl leivinjauhetta
 - 2 tl sokeria
 - ¼ tl suolaa
1. Sekoita kimupiiimä, maito, sipulichutney, muna, chia-siemenet ja vaniljauute keskikokoisessa kulhossa. Anna levätä kaksi minuuttia, jotta chia-siemenet turpoavat.
 2. Sekoita jauhot, kaurahiutaleet, mantelijauhe, leivinjauhe, sokeri ja suola toisessa kulhossa.
 3. Tee kuivien ainesten keskelle aukko, lisää siihen maitoseos ja sekoita taikina tasaiseksi.
 4. Esikuumenna vohvelirautaa, kunnes valmiustilan merkivalo syttyy.
 5. Voitele molemmat vohvelilevyt pienellä määrällä sumutettavaa öljyä ja kaada sitten noin 75 ml taikinaa tasaisesti vohvelilevyn kummakin ruudun keskelle.

6. Laske kansi, mutta älä sulje salpaa. Paista noin seitsemän minuuttia, kunnes pinta on kullanuskea.

Vohveleista saa terveellisiä välipaloja esimerkiksi höyrytetyn pinaatin ja pehmeän uppomunan kanssa nautittuna.

Perunavohvelit – 6 kpl

- 2 rkl voita
- 1 sipuli, hienonnettuna
- 1 tl hienonnettua valkosipulia
- 360 g perunaa, muussattuna
- 30 g vehnäjauhoa
- 2 munaa
- ¼ tl suolaa
- ¼ tl mustapippurirouhetta

1. Kuullota sipuli ja valkosipuli voissa pehmeäksi (noin 5–7 minuuttia).
2. Aseta muussattu peruna kulhoon ja lisää sipuliseos, jauhot, munat ja mausteet. Sekoita tasaiseksi, paksuksi taikinaksi.
3. Esikumenna vohvelirautaa, kunnes valmiustilan merkkivalo syttyy.
4. Voitele molemmat vohvelilevyt pienellä määrällä sumutettavaa öljyä ja kaada sitten noin 75 ml taikinaa tasaisesti vohvelilevyn kummakin ruudun keskelle.
5. Laske kansi, mutta älä sulje salpaa. Paista seitsemän minuuttia, kunnes pinta on kullanuskea.

Nauti perunavohvelit ohueksi viipaloidun pihvin, rucolan ja balsamicokastikkeen kera.

TAKUU

Säilytä kuitti, koska tarvitset sitä mahdollisia takuuvaateita varten.

Tuotteella on 2 vuoden takuu. Takuuajan lasketaan alkavan ostohetkellä.

Jos laite ei tämän takuuajan jälkeen enää toimi suunnittelu- tai valmistusvirheen johdosta, palauta se ostopaikkaan kuitenkin ja takuudistuksen kopion kanssa.

Tämän takuun myöntämät oikeudet ja edut myönnetään lakisäätöisten oikeuksiesi lisäksi, eikä takuu vaikuta kyseisiin lakisäätöisiin oikeuksiin. Vain Jarden Consumer Solutions (Europe) Limited ("JCS (Europe)") -yhtiöllä on oikeus muuttaa näitä takuehtoja.

JCS (Europe) sitoutuu määritettynä takuuajanjaksona korjaamaan tai vaihtamaan uuteen laitteeseen veloituksetta minkä tahansa viallisen laitteen osan seuraavien ehtojen täytyessä:

- Ostopaikalle tai JCS (Europe)ille ilmoitetaan ongelmasta heti; ja
- Laitetta ei ole muutettu mitenkään tai kohdeltu kaltoin tai vahingoitettu eikä sen korjaukseen tai muutostoihin ole osallistunut muita kuin JCS (Europe)in valtuuttamia henkilöitä.

Takuu ei kata virheellisestä käytöstä, vahingoittumisesta, laitteen kohtelemisesta väärin, laitteen väärällä jännitteellä käyttämisestä, luonnonmullistuksista, muista asioista, joihin JCS (Europe)illa ei ole vaikutusvaltaa, muun kuin JCS (Europe)in valtuuttaman henkilön tekemistä korjaus- tai muutostöistä tai ohjeiden noudattamatta jättämisestä aiheutuvia ongelmia. Lisäksi takuu ei kata tavallista kulumista, muun muassa pieniä värin muutoksia tai naarmuja.

Tässä takuussa myönnetty oikeudet koskevat vain alkuperäistä ostajaa eivätkä ne ulotu kaupalliseen tai yhteisölliseen käyttöön.

Jos laitteella on maakohtainen takuu, käytä kyseisen takuun ehtoja tämän takuun sijasta tai pyydä lisätietoja paikalliselta valtuutetulta jälleenmyyjältä.

Käytöstä poistettavia elektroniikkalaitteita ei saa hävittää kotitalousjätteen mukana. Kierrätä mahdollisuuksien mukaan. Kirjoittamalla sähköpostiosoitteeseemme enquiriesEurope@jardencs.com saat lisätietoja kierrätyksestä ja elektroniikkalaiteromusta.

Jarden Consumer Solutions (Europe) Limited
5400 Lakeside
Cheadle Royal Business Park
Cheadle
SK8 3GQ
United Kingdom



VIKTIGA SÄKERHETSANVISNINGAR**LÄS NOGA OCH SPARA DEM OM DU BEHÖVER LÄSA DEM IGEN.**

Denna apparat kan användas av barn från 8 års ålder och av personer med nedsatt fysisk, sensorisk eller mental kapacitet eller brist på erfarenhet och kunskap om de har fått handledning eller anvisningar om hur apparaten används på ett säkert sätt och förstår riskerna som är involverade. Barn får inte leka med produkten. Rengöring och användarunderhåll får inte utföras av barn såvida de inte är minst 8 år och det sker med handledning.

Förvara apparaten och dess sladd säkert, utom räckhåll för barn under 8 år.

Använd aldrig apparaten under skåp eller gardiner eller andra brandfarliga material.

Apparaten får aldrig sättas på/stängas av med en extern timer eller ett separat fjärrkontrollsystem.

⚠ Vidrör inte apparatens metalldelar under användning eftersom de kan bli mycket varma.

Använd aldrig denna apparat till någonting annat än det som den är avsedd för.

Denna apparat är endast avsedd för hushållsanvändning. Apparaten får inte användas utomhus.

Om nätsladden skadas måste den bytas ut av tillverkaren, dennes serviceombud eller en person med liknande kvalifikationer för att undvika risker.

- Se alltid till att dina händer är torra innan du hanterar stickkontakten eller slår på apparaten.
- Använd alltid apparaten på ett stabilt, säkert, torrt och jämnt underlag.
- Var försiktig när du använder produkten på ytor som kan skadas av värme. Vi rekommenderar att du använder ett kastrullunderlägg.
- Apparaten får inte placeras på eller i närheten av underlag som kan vara varma (t.ex. håll/platta på en gas- eller elspis).
- Låt aldrig nätsladden hänga över kanten på en arbetsbänk, vidröra varma underlag eller bli snodd, fastna eller bli klämd.

- Använd inte apparaten om den har blivit tappad eller om det finns synliga tecken på skador.
- Se till att apparaten är avstängd och att kontakten är utdragen ur eluttaget innan du lossar eller byter väffelp Plattorna eller rengör apparaten.
- Låt alltid apparaten svalna före rengöring eller förvaring.
- Doppa inte huvudenheten, elsladden eller kontakten i vatten eller någon annan vätska.
- Lämna aldrig apparaten utan uppsikt medan den är i bruk.

DELAR

- 1 Spärr
- 2 Handtag
- 3 Monteringsskåror
- 4 Värmeelement
- 5 Strömlampa (grön)
- 6 Klarlampa (orange)
- 7 Utlösarknappar
- 8 Väffelp Plattor med DuraCeramic -beläggning (2 st)
- 9 Monteringsflikar

INNAN APPARATEN ANVÄNDS FÖR FÖRSTA GÅNGEN

- Packa upp väffeljärnet. Det kan vara bra att behålla förpackningen för framtida bruk.
- Lossa väffelp Plattorna och rengör dem noggrant för att avlägsna eventuell smuts eller rester från tillverkningsprocessen (följ anvisningarna under *Rengöring*).
- Rengör väffeljärnets utsida med en mjuk fuktig trasa. Locket kan poleras med en mjuk torr trasa.

Observera att första gången du använder väffeljärnet kanske du lägger märke till en svagt bränd lukt och lite rök. Detta är helt normalt och försvinner snabbt.

FUNKTIONER**DuraCeramic™-belagda väffelp Plattor**

Väffelp Plattorna har försetts med en exklusiv DuraCeramic™-beläggning. Vår keramiska specialbeläggning är gjord på naturmaterial och leder värme snabbare och mer effektivt än vanliga non-stick-beläggningar. Det betyder kortare tillagningstid för dina utsökta hemlagade snacks. Dessutom är DuraCeramic™-beläggningen reptålig. Det här är med andra ord en produkt som håller länge. DuraCeramic™ är fri från PTFE och PFOA, och den exklusiva beläggningen är både hållbar och lätt att göra ren.

DuraCeramic™-beläggningen klarar det mesta utan problem.

ANVÄNDA VÄFFELJÄRNET

⚠ Var försiktig med de varma ytorna. Väffelplattorna blir mycket varma. Vidrör inga delar och försök inte att lossa eller byta väffelplattorna förrän de har svalnat helt.

Under tillagningen kan det komma ut ånga runt omkring väffeljäret.

Lämna aldrig väffeljäret obevakat medan det används.

1. Anslut väffeljäret till ett eluttag och slå på uttaget om det behövs. Den gröna strömlampan tänds och väffeljäret börjar värmas upp.
2. När väffeljäret är helt uppvärmt tänds den gula klarlampan. Lampan tänds och släcks under tillagningens gång.
3. Lossa spärren på handtaget och öppna locket.
4. Håll försiktigt väffelsmeten i den nedre väffelplattan. För en perfekt väffla rekommenderar vi att du håller en slev (ca 75 ml) smet i mitten av varje raster på väffelplattan. Se till att inte hålla för mycket smet i väffelplattan eftersom den då kan komma att rinna över kanten.
5. Stäng locket. Spärren på locket ska INTE vara låst vid tillagning. Tack vare att spärren är öppen kan väfflan jäsa och ångan slippa ut (det kan hända att du lägger märke till att locket höjer sig något medan väfflan jäser). Tillaga väfflan så länge som anges i receptet.
6. Öppna locket efter tillagningen. Se upp för ånga – använd en handduk eller en grytlapp/ugnsvante. Ta bort väfflan med en metallfri stekspade. Använd inte metallredskap eftersom det kan skada plattornas DuraCeramic™-yta.
7. Dra ut kontakten till väffeljäret ur eluttaget. Låt inte kontakten till väffeljäret sitta i när det inte används.

RENGÖRING

⚠ Dra ur kontakten och stäng av väffeljäret och låt det svalna helt innan du rengör det. Sänk aldrig ned själva väffeljäret, sladden eller kontakten i vatten eller någon annan vätska.

Använd aldrig stålull, skrubbsvampar, repande rengöringsmedel eller metallredskap för att rengöra väffeljäret.

1. Torka av väffelplattorna med absorberande papper eller en mjuk fuktig trasa.
2. Rengör väffeljärets utsida med en mjuk fuktig trasa. Locket kan poleras med en mjuk torr trasa.
3. Ta bort en platta i taget. Tryck på motsvarande utlösarknapp och lyft av plattan från värmeelementet.
4. Sänk ned väffelplattorna i varmt vatten med diskmedel. Sköj med rent vatten. Torka dem med en mjuk trasa.
Obs! Vi rekommenderar att du endast rengör plattorna för hand för att bevara DuraCeramic™-beläggningen.

5. Sätt tillbaka en platta i taget. För in monteringsflikarna i monteringsspårerna som sitter på gångjärnssidan av väffeljäret. Tryck försiktigt på plattan så att den låses på plats på värmeelementet.
Obs! Den nedre plattan är inte lika djup som den övre. Respektive platta passar bara på sin plats på väffeljäret (överst eller nederst).

FÖRVARING

- Låt väffeljäret svalna helt innan du ställer undan det och se till att det är rent.
- Lås ihop väffelplattorna genom att stänga spärren. Vira strömsladden runt sladdvindan.
- Förvara apparaten upprätt. Du kan också placera den på en plan, jämn yta en bit in från kanten så att den inte ramlar ned.

TIPS OCH TRICK

- När du gör smeten till klassiska eller lyx väfflor bör du se till att inte blanda den för mycket. Det ska helst finnas lite klumpar i smeten. En alltför slät smet ger sega väfflor som inte jäser lika bra.
- Om du ska tillaga mer än en omgång väfflor kan du hålla dem varma i ugnen tills alla är klara. Lägg väfflorna i ett enda lager på en plåt och ställ in i ugnen på svag värme. Då kan alla njuta av väfflorna tillsammans.
- Det är enkelt att frysa in och värma upp väfflorna. Låt väfflorna svalna helt och lägg dem två och två med ett lager bakplåtspapper emellan. Slå in i plastfolie eller lägg i en fryspåse och frys in. De frysta väfflorna kan enkelt tinas i brödrosten.

RECEPT

Klassiska väfflor – 12 st

- 280 g vetemjöl
- 2 tsk bakpulver
- 50 g strösocker
- 1 tsk salt
- 425 ml mjölk
- 1 tsk vaniljextrakt
- 3 stora ägg
- 125 g smör, smält

1. Blanda mjöl, bakpulver, socker och salt i en skål.
2. Vispa mjölk, vaniljextrakt och ägg i en annan skål.
3. Gör en grop i de torra ingredienserna och tillsätt mjölkblandningen och smöret. Vispa smeten tills den är ihopblandad men inte helt utan klumpar. Blanda inte smeten för mycket. För bästa resultat bör smeten få vila i några minuter.
4. Förvärm väffeljärnet tills klarlampan tänds.
5. Smörj båda väffelplattorna med lite oljebaserad matlagningsspray och håll sedan ca 75 ml av väffelsmeten jämnt i mitten av varje raster på väffelplattan.
6. Fäll ned locket men lås inte spärren. Tillaga i ca 7 minuter tills väfflorna är gyllenbruna.

Servera gärna med en klick grekisk yoghurt, färska bär och lite honung.

Lyx väfflor – 12 st

- 250 g vetemjöl
- 2 tsk bakpulver
- 1 msk socker
- ½ tsk salt
- 3 äggulor, vispade
- 3 äggvitor, hårt vispade
- 400 ml mjölk
- 115 ml vegetabilisk olja

1. Blanda mjöl, bakpulver, socker och salt i en skål.
2. Vispa mjölk, äggulor och vegetabilisk olja i en annan skål.
3. Gör en grop i de torra ingredienserna och tillsätt mjölkblandningen. Vispa smeten tills den är ihopblandad men inte helt utan klumpar. Blanda inte smeten för mycket.
4. Vänd försiktigt ned de vispade äggvitorna i smeten tills den precis är ihopblandad. Blanda inte för mycket.
5. Förvärm väffeljärnet tills klarlampan tänds.
6. Smörj båda väffelplattorna med lite oljebaserad matlagningsspray och håll sedan ca 75 ml av väffelsmeten jämnt i mitten av varje raster på väffelplattan.
7. Fäll ned locket men lås inte spärren. Tillaga i ca 7 minuter tills väfflorna är gyllenbruna.

Varför inte prova att göra en väffla med smak av citronmarängpaj? Det är bara att lägga citronkräm, krossade maränger och vispgräddade ovanpå.

Chokladväfflor – 12 st

- 200 g vetemjöl
- 100 g strösocker
- 45 g kakaopulver
- 1 tsk salt
- ½ tsk bikarbonat
- 450 ml mjölk
- 1 tsk vaniljextrakt
- 3 stora ägg
- 60 g smält smör, svalnat
- 110 g mörka chokladknappar

1. Blanda mjöl, socker, kakaopulver, salt och bikarbonat i en skål.
2. Vispa mjölk, vaniljextrakt och ägg i en annan skål.
3. Gör en grop i de torra ingredienserna och tillsätt mjölkblandningen och smöret. Vispa till en slät smet.
4. Rör ned chokladknapparna.
5. Förvärm väffeljärnet tills klarlampan tänds.
6. Smörj båda väffelplattorna med lite oljebaserad matlagningsspray och håll sedan ca 75 ml av väffelsmeten jämnt i mitten av varje raster på väffelplattan.
7. Fäll ned locket men lås inte spärren. Tillaga i ca 7 minuter.

Varför inte prova att servera med vaniljglass, krossade pistaschnötter och färska hallon?

Flerkornsväfflor med chiafrön – 6 st

- 250 ml kärnmjöl
- 190 ml mjölk
- 50 g lökchutney
- 1 ägg, vispat
- 2 msk chiafrön
- 1 tsk vaniljextrakt
- 160 g grahamsmjöl
- 40 g havregryn
- 25 g mald mandel
- 2 tsk bakpulver
- 2 tsk socker
- ¼ tsk salt

1. Blanda kärnmjöl, mjölk, lökchutney, ägg, chiafrön och vaniljextrakt i en medelstor skål. Låt smeten vila i 2 minuter så att chiafröna blöts upp och tjocknar.
2. Blanda mjöl, havregryn, mald mandel, bakpulver, socker och salt i en annan skål.
3. Gör en grop i de torra ingredienserna, tillsätt mjölkblandningen och vispa till en tjock, slät smet.
4. Förvärm väffeljärnet tills klarlampan tänds.
5. Smörj båda väffelplattorna med lite oljebaserad matlagningsspray och håll sedan ca 75 ml av väffelsmeten jämnt i mitten av varje raster på väffelplattan.
6. Fäll ned locket men lås inte spärren. Tillaga i ca 7 minuter tills väfflorna är gyllenbruna.

När du är sugen på ett nyttigt mellanmål kan du prova att servera väfflorna med lite ångad spenat och ett pocherat ägg.

Potatisväfflor – 6 st

- 2 msk smör
- 1 lök, finhackad
- 1 tsk finhackad vitlök
- 360 g potatismos
- 30 g vetemjöl
- 2 ägg
- ¼ tsk salt
- ¼ tsk mald svartpeppar

1. Stek löken och vitlöken lätt i smöret tills de har mjuknat (ca 5–7 minuter).
2. Lägg potatismosen i en skål och tillsätt lökblandningen, mjölet, äggen och kryddorna. Blanda väl till en slät, tjock smet.
3. Förvärm väffeljärnet tills klarlampan tänds.
4. Smörj båda väffelplattorna med lite oljebaserad matlagningsspray och håll sedan ca 75 ml av väffelmeten jämnt i mitten av varje raster på väffelplattan.
5. Fäll ned locket men läs inte spärren. Tillaga i ca 7 minuter tills väfflorna är gyllenbruna.

Varför inte servera potatisväfflorna med tunnskuren biff, rucicola och balsamdressing?

GARANTI

Spara ditt kvitto, vilket krävs vid reklamation under garantitiden.

Den här produkten garanteras i 2 år efter ditt inköp enligt beskrivningen i det här dokumentet.

Om det osannolika skulle inträffa under garantiperioden, att apparaten slutar fungera på grund av konstruktions- eller tillverkningsfel, ska du ta den med till inköpsplatsen tillsammans med kvittot och en kopia av garantin.

Rättigheter och förmåner i den här garantin gäller utöver dina lagstiftade rättigheter, som inte påverkas av garantin. Endast Jarden Consumer Solutions (Europe) Limited ("JCS (Europe)") har rätt att ändra villkoren.

JCS (Europe) åtar sig att utan kostnad reparera eller byta ut apparaten eller en del av apparaten som inte fungerar ordentligt under garantiperioden, under förutsättning att:

- du omedelbart meddelar inköpsstället eller JCS (Europe) om problemet.
- Apparaten inte har ändrats på något sätt eller har utsatts för skador, missbruk, felaktig användning, reparation eller modifieringar av en person annat än en person som är auktoriserad av JCS (Europe).

Garantin täcker inte fel som inträffar på grund av felaktig användning, skador, missbruk, användning med felaktigt spänning, naturfenomen, händelser som JCS (Europe) inte kan kontrollera, reparation eller ändringar av person annat än en person som är auktoriserad av JCS (Europe) eller försummelse att följa bruksanvisningen. Slitage vid normal användning täcks inte heller av garantin, inklusive, men inte begränsat till, mindre missfärgningar och repor. Rättigheterna i den här garantin gäller endast den ursprungliga köparen och avser inte kommersiellt eller offentligt bruk.

Om din apparat innefattar en landsspecifik garanti eller garantibilaga, ska du läsa villkoren i den garantin i stället för den här garantin eller kontakta din lokala auktoriserade försäljare för mer information.

Kasserade elektriska produkter ska inte slängas tillsammans med hushållsavfall. Återvinning ska ske på avsedd plats. Kontakta oss per e-post på enquiriesEurope@jardencs.com för mer information om återvinning och om avfall som utgörs av eller innehåller elektriska eller elektroniska produkter.

Jarden Consumer Solutions (Europe) Limited
5400 Lakeside
Cheadle Royal Business Park
Cheadle
SK8 3GQ
United Kingdom



VIGTIGE SIKKERHEDSOPLYSNINGER

Læs denne brugsanvisning, inden du tager apparatet i brug, og gem den til fremtidig reference.

Dette apparat må anvendes af børn på 8 år og derover samt af personer med fysiske, sansemæssige eller mentale handicap eller manglende erfaring og viden, såfremt vedkommende er under opsyn eller har modtaget anvisninger i forsvarlig brug af apparatet, og vedkommende forstår farene i forbindelse med brugen. Børn må ikke lege med apparatet. Rengøring og vedligeholdelse må ikke foretages af børn, med mindre de er over 8 år og under opsyn.

Hold apparatet og ledningen uden for rækkevidde af børn under 8 år.

Brug aldrig apparatet under skabe eller gardiner eller andre brandbare materialer.

Brug aldrig apparatet sammen med en separat timer eller et fjernbetjeningssystem.

⚠ Undlad at røre ved apparatets metaldele under brug, da de kan blive meget varme.

Brug aldrig dette apparat til andet, end det er beregnet til. Dette apparat er kun beregnet til husholdningsbrug. Brug ikke apparatet uden døre.

Hvis den monterede ledning er beskadiget, skal den udskiftes af producenten, dennes serviceagent eller en lignende kvalificeret person for at undgå sikkerhedsfarer.

- Sørg altid for, at dine hænder er tørre, inden du rører ved stikket eller tænder for apparatet.
- Brug altid apparatet på en stabil, fast, tør og plan overflade.
- Vær forsigtig, hvis apparatet bruges på overflader, der kan beskadiges af varme. Det anbefales at bruge en isolerende bordskåner.
- Apparatet må ikke stilles på eller i nærheden af potentielt varme overflader (f.eks. kogeplader).
- Lad aldrig ledningen hænge ud over kanten af et bord, komme i kontakt med varme overflader, slå knuder eller komme i klemme.
- Undlad at bruge apparatet, hvis det er blevet tabt, eller hvis det bærer synlige tegn på skader.
- Sørg for, at apparatet er slukket, og at stikket er trukket ud af stikkontakten efter brug, inden vaffelpladerne fjernes eller sættes i, og før apparatet rengøres.

- Lad altid apparatet køle ned inden rengøring eller opbevaring.
- Nedsænk ikke hovedlegemet, ledning eller stik i vand eller nogen form for væske.
- Lad aldrig apparatet være uden opsyn, når det er i brug.

DELE

- 1 Lås
- 2 Håndtag
- 3 Placeringsåbninger
- 4 Varmeelementer
- 5 Strømindikator (grøn)
- 6 Klarindikator (gul)
- 7 Udløserknapper
- 8 Vaffelplader med DuraCeramic™-belægning (x 2)
- 9 Placeringsstapper

FØR APPARATET BRUGES FØRSTE GANG

- Pak vaffeljernet ud. Du kan gemme emballagen til evt. senere brug.
- Tag vaffelpladerne ud, og vask dem grundigt for at fjerne alle urenheder eller eventuelle rester fra fremstillingsprocessen (følg vejledningen under *Rengøring*).
- Rengør ydersiden af vaffeljernet med en blød og fugtig klud. Låget kan poleres med en blød og tør klud.

Bemærk, at første gang du bruger vaffeljernet, kan det lugte en smule brændt, og der kan komme en smule røg. Det er helt normalt og forsvinder hurtigt.

FUNKTIONER

DuraCeramic™-belagte vaffelplader

Vaffelpladerne har den eksklusive DuraCeramic™-belægning. Denne særlige, naturlige keramiske belægning er designet til at overføre varme hurtigere og mere effektivt end almindelige non-stick-belægninger. Det betyder kortere tilberedningstid for dine lækre hjemmelavede måltider. Desuden er DuraCeramic™-belægningen ridsefast – dette er et produkt, der er fremstillet, så det holder. Det giver ro i sindet, at DuraCeramic™-belægningen er fri for PTFE og PFOA, og den eksklusive belægning er både holdbar og nem at rengøre.

DuraCeramic™-belægning – designet til nemt at håndtere alt, hvad du smider på den.

BRUG AF VAFFELJERNET

⚠ Vær forsigtig med varme overflader. Vaffelpladerne bliver meget varme. Rør IKKE ved nogen af delene, eller forsøg at fjerne eller sætte vaffelpladerne i, før apparatet er helt afkølet.

Der kan slippe damp ud af vaffeljernet under tilberedningen.

Efterlad aldrig vaffeljernet uden opsyn, mens det er i brug.

1. Sæt vaffeljernets stik i stikkontakten, og tænd for stikket, hvis det er nødvendigt. Den grønne strømindikator lyser, og vaffeljernet begynder at opvarme.
2. Når vaffeljernet er helt opvarmet, tændes den gule klarindikator. Denne indikator tændes og slukkes i løbet af tilberedningen.
3. Åbn låsen på håndtaget, og åbn låget.
4. Hæld forsigtigt dejblandingen i den nederste vaffelplade. Vi anbefaler, at du hælder en suppeskefuld (ca. 75 ml) i midten af hvert gitter på vaffelpladen for at lave perfekte vaffer. Sørg for, at du ikke overfylder vaffelpladen, da blandingen kan løbe over kanten på pladen.
5. Luk låget. Fastgør IKKE låsen under tilberedningen. På den måde kan vaffen hæve og dampen slippe ud (du vil måske bemærke, at låget løftes en smule, når vaffen hæver). Bag vaffen så længe, som det beskrives i opskriften.
6. Åbn låget, når den er færdig. Pas på dampen, der slipper ud – brug et viskestykke eller grydelapper. Fjern vaffen med en ikke-metallisk paletkniv. Brug ikke en metalkniv, da dette kan beskadige DuraCeramic™-pladernes overflade.
7. Tag vaffeljernets stik ud af stikkontakten. Vaffeljernets stik må ikke sidde i stikkontakten, når det ikke er i brug.

RENGØRING

⚠ Sluk vaffeljernet, træk stikket ud af stikkontakten, og lad det køle helt af, før du rengør det. Nedsænk aldrig hovedlegemet, ledning eller stik i vand eller nogen form for væske.

Brug ikke ståluld, skurebørster, slibende rengøringsmidler eller metalredskaber til at rengøre vaffeljernet med.

1. Aftør vaffelpladerne med en smule køkkenrulle eller en blød, fugtig klud.
2. Rengør ydersiden af vaffeljernet med en blød og fugtig klud. Låget kan poleres med en blød og tør klud.
3. Fjern en plade ad gangen. Tryk på den tilhørende udløserknop, og løft pladen af varmeelementet.
4. Læg pladerne i blød i varmt sæbevand. Skyl med rent vand. Tør af med en blød klud.
Bemærk: Vi anbefaler, at du kun vasker pladerne i hånden, for at bevare DuraCeramic™-belægningen.

5. Sæt en plade i ad gangen. Sæt placeringstapperne i åbningerne på siden med hængsler på vaffeljernet. Tryk forsigtigt på pladen for at låse den på plads på varmeelementet.
Bemærk: Bundpladen er lidt lavere end toppladen. Den enkelte plade passer kun i den korrekte position i vaffeljernet (bund eller top).

OPBEVARING

1. Lad vaffeljernet køle helt ned, inden det stilles til opbevaring, og sørg for, at apparatet er rent.
2. Lås vaffelpladerne sammen ved at fastgøre låsen. Vikl ledningen ind i området til ledningsopbevaring.
3. Opbevar apparatet i oprejst position. Alternativt kan det opbevares på en flad, jævn overflade på afstand af en kant, hvor det ikke nemt kan vælte.

RÅD OG TIP

- Når du laver klassisk og luksuvs vaffeldej, skal du sørge for, at du ikke pisker for længe. Ideelt set bør disse dejblandinger være lidt klumpede. Glat dej vil resultere i seje vaffer, som ikke hæver ordentligt.
- Hvis du laver mere end 1 portion vaffer, kan du holde dem varme i ovnen, indtil de resterende er klar. Læg dem i ét lag på en bageplade, og sæt dem i ovnen ved lav varme. På denne måde kan alle nyde deres vaffer på samme tid.
- Det er nemt at fryse og genopvarme vaffer. Lad dem køle helt af, og læg derefter 2 vaffer ovenpå hinanden med et lag bagepapir imellem. Vikl plastfilm omkring, eller læg dem i en frysepose, og frys dem. Vafferne kan nemt genopvarmes i en brødrister.

OPSKRIFTER

Klassiske vaffler – 12 stk.

- 280 g hvedemel
- 2 tsk. bagepulver
- 50 g strøsukker
- 1 tsk. salt
- 425 ml mælk
- 1 tsk. vaniljeekstrakt
- 3 store æg
- 125 g smør, smeltet

1. Bland mel, bagepulver, sukker og salt i en skål.
2. Pisk mælk, vaniljeekstrakt og æg i en separat skål.
3. Lav en udhulning i de tørre ingredienser, og tilsæt mælkeblandingen sammen med smørret. Pisk, indtil ingredienserne næsten er blandet sammen, dejen skal stadig være lidt klumpet. Pisk ikke dejen helt glat. Det bedste resultat opnås, hvis du lader dejen hvile i et par minutter.
4. Forvarm vaffeljernet, indtil klarindikatoren tændes.
5. Smør begge vaffelplader med lidt olie til madlavning (brug en oliespray), og hæld ca. 75 ml af dejblandingen jævnt i midten af hvert gitter på vaffelpladen.
6. Luk låget, men fastgør ikke låsen. Bages i ca. 7 minutter, indtil vafflen er gyldenbrun.

Vafflerne er lækre pyntet med græsk yoghurt, friske bær og en smule honning.

Luksuse vaffler – 12 stk.

- 250 g hvedemel
- 2 tsk. bagepulver
- 1 spsk. sukker
- ½ tsk. salt
- 3 æggeblommer, piskede
- 3 æggeghvider, piskede stive
- 400 ml mælk
- 115 ml vegetabilsk olie

1. Bland mel, bagepulver, sukker og salt i en skål.
2. Pisk mælk, æggeblommer og vegetabilsk olie i en separat skål.
3. Lav en udhulning i de tørre ingredienser, og tilsæt mælkeblandingen. Pisk, indtil ingredienserne næsten er blandet sammen, dejen skal stadig være lidt klumpet. Pisk ikke dejen helt glat.
4. Fold forsigtigt de piskede æggeghvider ind i blandingen, indtil ingredienserne næsten er blandet sammen. Bliv ikke ved for længe.
5. Forvarm vaffeljernet, indtil klarindikatoren tændes.

6. Smør begge vaffelplader med lidt olie til madlavning (brug en oliespray), og hæld ca. 75 ml af dejblandingen jævnt i midten af hvert gitter på vaffelpladen.
7. Luk låget, men fastgør ikke låsen. Bages i ca. 7 minutter, indtil vafflen er gyldenbrun.

Hvorfor ikke prøve at lave vaffler, der minder om citronmængstærte? Du skal bare pynte vafflerne med lemon curd, knust mærengs og flødeskum.

Chokoladevaffler – 12 stk.

- 200 g hvedemel
- 100 g strøsukker
- 45 g kakaopulver
- 1 tsk. salt
- ½ tsk. natron
- 450 ml mælk
- 1 tsk. vaniljeekstrakt
- 3 store æg
- 60 g smeltet smør, afkølet
- 110 g ren chokolade i små stykker

1. Bland mel, sukker, kakaopulver, salt og natron i en skål.
2. Pisk mælk, vaniljeekstrakt og æg i en separat skål.
3. Lav en udhulning i de tørre ingredienser, og tilsæt mælkeblandingen sammen med smørret. Pisk sammen, indtil dejen er glat.
4. Rør chokoladestykkerne i.
5. Forvarm vaffeljernet, indtil klarindikatoren tændes.
6. Smør begge vaffelplader med lidt olie til madlavning (brug en oliespray), og hæld ca. 75 ml af dejblandingen jævnt i midten af hvert gitter på vaffelpladen.
7. Luk låget, men fastgør ikke låsen. Bag i ca. 7 minutter.

Hvorfor ikke pynte med vaniljeis, knuste pistaciønødder og friske hindbær?

Fuldkornsvafler med chiafrø – 6 stk.

- 250 ml kærnemælk
- 190 ml mælk
- 50 g løgchutney
- 1 æg, pisket
- 2 spsk. chiafrø
- 1 tsk. vaniljееkstrakt
- 160 g grahamsmel (fuldkornsmel)
- 40 g havregryn
- 25 g hakkede mandler
- 2 tsk. bagepulver
- 2 tsk. sukker
- ¼ tsk. salt

1. Bland kærnemælk, mælk, løgchutney, æg, chiafrø og vaniljееkstrakt i en mellemstor skål. Lad blandingen hvile i 2 minutter, så chiafrøene kan stå i blød og trække væde til sig.
2. Bland mel, havregryn, hakkede mandler, bagepulver, sukker og salt i en separat skål.
3. Lav en udhulning i de tørre ingredienser, tilsæt mælkeblanding, og pisk, indtil dejen er tyk og glat.
4. Forvarm vaffeljernet, indtil klarindikatoren tændes.
5. Smør begge vaffelplader med lidt olie til madlavning (brug en oliespray), og hæld ca. 75 ml af dejblandingen jævnt i midten af hvert gitter på vaffelpladen.
6. Luk låget, men fastgør ikke låsen. Bages i ca. 7 minutter, indtil vafflen er gyldenbrun.

Du kan lave disse vafler til en sund snack ved at servere dem med sauteret spinat og et letpocheret æg.

Kartoffelvafler – 6 stk.

- 2 spsk. smør
- 1 løg, finthakket
- 1 tsk. finthakket hvidløg
- 360 g kartoffelmos
- 30 g hvedemel
- 2 æg
- ¼ tsk. salt
- ¼ tsk. fintmalet sort peber

1. Steg løg og hvidløg forsigtigt i smørret, indtil de er bløde (ca. 5-7 minutter).
2. Anbring kartoffelmosen i en skål, og tilsæt løgblanding, mel, æg og krydderier. Bland grundigt, indtil dejen er jævn og tyk.
3. Forvarm vaffeljernet, indtil klarindikatoren tændes.
4. Smør begge vaffelplader med lidt olie til madlavning (brug en oliespray), og hæld ca. 75 ml af dejblandingen jævnt i midten af hvert gitter på vaffelpladen.
5. Luk låget, men fastgør ikke låsen. Bages i ca. 7 minutter, indtil vafflen er gyldenbrun.

Hvorfor ikke servere dine kartoffelvafler med tyndskåret filet, rucolasalat og en balsamicodressing?

GARANTI

Gem venligst din kvittering, da den skal fremvises ved fremsættelse af eventuelle krav i forbindelse med garantien. Dette udstyr er omfattet af garantien i to år efter købet, sådan som det er beskrevet i dette dokument. Hvis udstyret i løbet af denne garantiperiode mod forventning skulle holde op med at fungere på grund af design- eller produktionsfejl, skal du returnere det til købsstedet sammen med købskvitteringen og en kopi af dette garantibevis. Rettighederne og fordelene ifølge denne garanti er et supplement til dine lovbestemte rettigheder, som ikke bliver påvirket af denne garanti. Kun Jarden Consumer Solutions (Europe) Ltd. ("JCS (Europe)") har ret til at ændre disse betingelser. I garantiperioden varetager JCS (Europe) at reparere eller udskifte udstyret eller enhver del af udstyret, som ikke fungerer korrekt, uden krav om betaling, forudsat at:

- du straks underretter købsstedet eller JCS (Europe) om problemet og
- udstyret ikke er blevet ændret på nogen måde eller udsat for beskadigelse, forkert brug, misbrug, reparation eller ændringer, der er foretaget af en person, der ikke er autoriseret af JCS (Europe).

Fejl, der opstår på grund af forkert brug, beskadigelse, misbrug, anvendelse af forkert spænding, naturfænomener, hændelser uden for JCS (Europe)s kontrol, reparation eller ændringer, der er foretaget af en person, der ikke er autoriseret af JCS (Europe), eller manglende overholdelse af brugsanvisningerne er ikke dækket af garantien.

Derudover dækkes normalt slid, herunder men ikke begrænset til mindre misfarvning eller ridser, ikke af denne garanti. Rettighederne ifølge denne garanti gælder kun for den oprindelige køber og omfatter ikke kommerciel eller kommunal anvendelse.

Hvis dit udstyr er omfattet af en garanti eller et garantibevis, der kun gælder for det pågældende land, skal du referere til vilkårene og betingelserne for en sådan garanti/et sådant garantibevis i stedet for denne garanti eller kontakte din lokale forhandler for at få flere oplysninger.

Brugte elektriske produkter må ikke bortskaffes sammen med husholdningsaffaldet. Benyt venligst en genbrugsordning, hvis en sådan findes. Send en e-mail til os på enquiriesEurope@jardens.com for at få yderligere oplysninger om genbrug og WEEE.

Jarden Consumer Solutions (Europe) Limited
5400 Lakeside
Cheadle Royal Business Park
Cheadle
SK8 3GQ
United Kingdom



VIKTIGE SIKKERHETSINSTRUKSJONER

LES DISSE INSTRUKSJONENE FØR DU BRUKER APPARATET, OG OPPBEVAR DEM FOR SENERE BRUK.

Dette produktet kan brukes av barn fra 8 år og oppover og personer med reduserte fysiske, sensoriske eller mentale evner eller manglende erfaring og kunnskap hvis de er under tilsyn eller er gitt instruksjoner om bruk på en trygg måte og forstår farene involvert. Barn skal ikke leke med produktet. Rengjøring og vedlikehold skal ikke foretas av barn som er under 8 år eller uten tilsyn.

Hold produktet og ledningen utenfor rekkevidden til barn under 8 år.

Bruk aldri apparatet under skap eller gardiner eller andre brennbare materialer.

Ikke bruk apparatet ved hjelp av en ekstern timer eller et separat fjernkontrollsystem.

⚠ Ikke berør metalldelene på apparatet under bruk ettersom de kan bli svært varme.

Bruk aldri dette apparatet til noe annet enn tiltenkt bruk. Dette apparatet er kun for husholdningsbruk. Ikke bruk apparatet utendørs.

Hvis tilførselsslagen er skadet må den erstattes av produsenten, en servicetekniker eller lignende kvalifisert person for å unngå skade.

- Sørg alltid for at hendene er tørre før du tar i strømkontakten eller slår på apparatet.
- Bruk alltid apparatet på en stabil, sikker, tørr og jevn overflate.
- Vær varsom når du bruker apparatet på overflater som kan skades av varme. Bruk av isolasjonsplaten anbefales.
- Dette apparatet må ikke plasseres på eller i nærheten av varme overflater (som f.eks. en gass- eller elektrisk komfyr).
- Aldri la strømledningen henge over kanten av en benkeplate, berøre varme overflater eller få knute, bli sittende fast eller komme i klem.
- Ikke bruk apparatet hvis det har falt i gulvet eller hvis det har synlige tegn på skader.
- Sørg for at apparatet er slått av og frakoblet strømmettet etter bruk, før bruk eller utskifting av vaffelplatene og før rengjøring.
- La alltid apparatet bli kaldt før rengjøring eller oppbevaring.

- Du må ikke senke hele apparatet, ledningen eller pluggen ned i vann eller andre former for væske.
- Ikke la apparatet være uten oppsyn når det er i bruk.

DELER

- 1 Sperre
- 2 Håndtak
- 3 Plasseringsspor
- 4 Varmeelementer
- 5 Strømlampe (grønn)
- 6 Klarlampe (gul)
- 7 Utløserknapper
- 8 Vaffelplater med DuraCeramic™-belegg (x2)
- 9 Plasseringstapper

FØR FØRSTE GANGS BRUK

- Pakk ut vaffeljernet. Du vil kanskje beholde emballasjen for fremtidig bruk.
- Fjern og vask vaffelplatene grundig for å fjerne urenheter eller rester som kan sitte igjen fra produksjonsprosessen (følg instruksjonene under *Rengjøring*).
- Utsiden av vaffeljernet rengjøres med en myk og fuktig klut. Deksløst kan pusses med en myk og tørr klut.

Vær oppmerksom på at du kan merke litt brent lukt og røyk første gang du bruker vaffeljernet. Dette er helt normalt og forsvinner raskt.

FUNKSJONER

Vaffelplater med DuraCeramic™-belegg

Vaffelplatene er belagt med eksklusivt DuraCeramic™-belegg. Dette spesialiserte, naturlige keramikbelegget er designet for å overføre varme raskere og mer effektivt enn standard klebefrie belegg – noe som betyr raskere tilberedningstid for dine velsmakende hjemmelagede mellommåltider. I tillegg er DuraCeramic™-belegget ripebestandig. Dette er et produkt som er laget for å vare lenge. DuraCeramic™-belegget er fritt for PTFE og PFOA, og dette eksklusive belegget er robust og enkelt å rengjøre.

DuraCeramic™-belegg – utformet for å håndtere det meste uten problemer.

BRUKE VAFFELJERNET

⚠ Vær forsiktig med varme overflater. Vaffelplatene blir svært varme. IKKE berør noen deler, eller prøv å fjerne eller bytte ut vaffelplatene før de er helt avkjølt.

Det kan komme damp fra vaffeljernet ved steking.

La aldri vaffeljernet stå uten tilsyn under bruk.

1. Koble vaffeljernet til et strømnett, og slå på uttaket om nødvendig. Den grønne strømlampen tennes og vaffeljernet begynner å varmes opp.
2. Når vaffeljernet er helt oppvarmet, tennes den gule klarlampen. Denne lampen tennes og slukkes underveis i matlagingen.
3. Løsne sperren på håndtaket og åpne lokket.
4. Hell røre forsiktig på den nedre vaffelplaten (bunnplaten). Vi anbefaler vi at du heller en øse med røre (ca. 75 ml) midt på hver vaffelplate, for å oppnå best mulig resultat. Ikke bruk for mye røre, da den kan renne ut over kantene på vaffelplaten.
5. Lukk lokket. Ikke klem igjen sperren under steking. Dette gjør det mulig for vaffelen å heve seg og at dampen slippes ut (du kan se at lokket løftes litt opp når vaffelen hever seg). La vaffelen steke som angitt i oppskriften.
6. Når vaffelen er ferdigstekt, åpne du lokket. Se opp for damp – bruk et kjøkkenhåndkle eller grytekluter. Bruk en ikke-metallisk stekespade til å ta ut vaffelen. Ikke bruk metallredskaper, da dette kan skade DuraCeramic™-overflatene på platene.
7. Trekk ut vaffeljernets støpsel ut av stikkkontakten. Vaffeljernet skal kobles fra når det ikke er i bruk.

RENGJØRING

⚠ Koble fra og slå av vaffeljernet, og la det kjøle seg helt ned før du rengjør det. Du må aldri senke hele apparatet, ledningen eller pluggen ned i vann eller andre former for væske.

Du må aldri bruke stålull, skuresvamper, skuremidler eller metalliske redskaper til å rengjøre vaffeljernet.

1. Tørk av vaffelplatene med absorberende papir eller en myk, fuktig klut.
2. Utsiden av vaffeljernet rengjøres med en myk og fuktig klut. Deksløst kan pusses med en myk og tørr klut.
3. Ta ut én plate om gangen. Trykk på tilhørende utløserknapp og løft platen bort fra varmeelementet.
4. Senk platene ned i varmt såpevann. Skyll med rent vann. Tørk av med en myk klut.
Merk: Vi anbefaler at du bare vasker platene for hånd, for å bevare DuraCeramic™-belegget.
5. Skift ut én plate om gangen. Før plasseringstappene inn i sporene på hengselsiden av vaffeljernet. Trykk platen forsiktig ned for å låse den på plass på varmeelementet.
Merknad: Bunnplaten er litt grunnere enn toppplaten. Hver plate passer kun i den tiltenkte posisjonen på vaffeljernet (bunn eller topp).

OPPBEVARING

- La vaffeljernet kjøle seg helt ned før oppbevaring, og påse at det er rent.
- Lås vaffelplatene sammen ved å klemme igjen sperren. Vikle ledningen rundt ledningsoppbevaringsområdet.
- Oppbevar vaffeljernet stående. Den kan også oppbevares på et flatt, jevnt underlag unna kanten, slik at den ikke kan velte.

RÅD OG TIPS

- Ikke bland vaffelrøren for mye når du skal lage klassiske eller luksus vaffler. Røren til slike vaffler skal helst være litt klumpete. Hvis røren er for jevn, lager den seige vaffler som ikke hever seg som de skal.
- Hvis du steker vaffler i flere omganger, kan du holde dem varme i stekeovnen til alle vafflene er klare. Legg dem i ett lag på stekebrettet, og plasser i ovnen på lav varme. På denne måten alle kan nyte deilige, varme vaffler samtidig.
- Det er enkelt å fryse ned og varme opp vaffler. La vafflene bli helt kalde, og legg deretter to vaffler oppå hverandre med bakepapir mellom. Pakk dem inn i plastfolie eller en frysepose, og legg i fryseren. Når du skal varme dem opp, kan du bare legge de frosne vafflene i brødristeren.

OPPSKRIFTER

Klassiske vafler – 12 stk.

- 280 g hvetemel
- 2 ts bakepulver
- 50 g strøsukker
- 1 ts salt
- 425 ml melk
- 1 ts vaniljeekstrakt
- 3 store egg
- 125 g smør, smeltet

1. Bland mel, bakepulver, sukker og salt i en bolle.
2. Visp sammen melk, vaniljeekstrakt og egg i en annen bolle.
3. Lag en fordypning i de tørre ingrediensene og tilsett melkeblandingen og smøret. Visp lett sammen, røren skal fortsatt være litt klumpete. Ikke bland for mye. La røren hvile i noen minutter for å oppnå best mulig resultat.
4. Varm opp vaffeljernet til klarlampen tennes.
5. Smør begge vaffelplatene med litt oljebasert stekespray, og hell deretter ca. 75 ml røre midt på hver vaffelplate.
6. Senk lokket, men ikke klem igjen sperren. Stek i ca. 7 minutter til gylne.

Deilige toppet med gresk yoghurt, friske bær og flytende honning.

Luksus vafler – 12 stk.

- 250 g hvetemel
- 2 ts bakepulver
- 1 ss sukker
- ½ ts salt
- 3 eggeplommer, vispet
- 3 eggehviter, stivpiskede
- 400 ml melk
- 115 ml vegetabilsk olje

1. Bland mel, bakepulver, sukker og salt i en bolle.
2. Visp sammen melk, eggeplommer og vegetabilsk olje i en annen bolle.
3. Lag en fordypning i de tørre ingrediensene og tilsett melkeblandingen. Visp lett sammen, røren skal fortsatt være litt klumpete. Ikke bland for mye.
4. Fold forsiktig inn de stivpiskede eggehvitene, ikke bland for mye.
5. Varm opp vaffeljernet til klarlampen tennes.
6. Smør begge vaffelplatene med litt oljebasert stekespray, og hell deretter ca. 75 ml røre midt på hver vaffelplate.
7. Senk lokket, men ikke klem igjen sperren. Stek i ca. 7 minutter til gylne.

Du kan enkelt lage en vaffelversjon av sitronmarengspai. Bare topp vaffelen med sitronkrem, knust marengs og pisket krem.

Sjokoladevafler – 12 stk.

- 200 g hvetemel
- 100 g strøsukker
- 45 g kakaopulver
- 1 ts salt
- ½ ts natron
- 450 ml melk
- 1 ts vaniljeekstrakt
- 3 store egg
- 60 g smeltet smør, avkjølt
- 110 g sjokoladebiter

1. Bland mel, sukker, kakaopulver, salt og natron i en bolle.
2. Visp sammen melk, vaniljeekstrakt og egg i en annen bolle.
3. Lag en fordypning i de tørre ingrediensene og tilsett melkeblandingen og smøret. Visp til røren er jevn.
4. Rør inn sjokoladebitene.
5. Varm opp vaffeljernet til klarlampen tennes.
6. Smør begge vaffelplatene med litt oljebasert stekespray, og hell deretter ca. 75 ml røre midt på hver vaffelplate.
7. Senk lokket, men ikke klem igjen sperren. Stek i ca. 7 minutter.

Smaker deilig toppet med vaniljeis, knuste pistasjenøtter og friske bringebær.

Flerkornsvafler med chiafrø – 6 stk.

- 250 ml kjernemelk
- 190 ml melk
- 50 g løkchutney
- 1 egg, pisket
- 2 ss chiafrø
- 1 ts vaniljeekstrakt
- 160 g sammalt hvetemel
- 40 g havregryn
- 25 g malte mandler
- 2 ts bakepulver
- 2 ts sukker
- ¼ ts salt

1. Bland kjernemelk, melk, løkchutney, egg, chiafrø og vaniljeekstrakt i en middels stor bolle. La stå i 2 minutter, slik at chiafrøene kan svulle og tykne røren.
2. Bland mel, havre, malte mandler, bakepulver, sukker og salt i en annen bolle.
3. Lag en fordypning i de tørre ingrediensene, tilsett melkeblandingen og rør til du har en jevn røre.
4. Varm opp vaffeljernet til klarlampen tennes.
5. Smør begge vaffelplatene med litt oljebasert stekespray, og hell deretter ca. 75 ml røre midt på hver vaffelplate.
6. Senk lokket, men ikke klem igjen sperren. Stek i ca. 7 minutter til gylne.

Server gjerne disse vaflene med forvellet spinat og et mykt, posjert egg for en sunn snack.

Potetvafler – 6 stk.

- 2 ss smør
- 1 løk, finhakket
- 1 ts finhakket hvitløk
- 360 g most potet
- 30 g hvetemel
- 2 egg
- ¼ ts salt
- ¼ ts malt sort pepper

1. Stek løk og hvitløk i smør på svak varme til de er myke (ca. 5–7 minutter).
2. Plasser de fleste potetene i en bolle og tilsett løkblanding, mel, egg og krydder. Bland godt for å lage en jevn, tykk røre.
3. Varm opp vaffeljernet til klarlampen tennes.
4. Smør begge vaffelplatene med litt oljebasert stekespray, og hell deretter ca. 75 ml røre midt på hver vaffelplate.
5. Senk lokket, men ikke klem igjen sperren. Stek i ca. 7 minutter til gyllen.

Potetvafle smaker deilig toppet med tynt oppskårne skiver av biff, rucola og en balsamicodressing.

GARANTI

Ta vare på kvitteringen da den kreves ved eventuelle garantikrav.

Dette apparatet har en garanti på to år etter kjøpsdato, som beskrevet i dette dokumentet.

Om apparatet slutter å fungere i løpet av garantiperioden på grunn av en design- eller produksjonsfeil, ta apparatet tilbake til kjøpsstedet sammen med kvitteringen og en kopi av denne garantien.

Rettighetene og fordelene under denne garantien er i tillegg til dine lovfestede rettigheter, som ikke påvirkes av denne garantien. Det er bare Jarden Consumer Solutions (Europe) Ltd. (JCS (Europe)) som har rett til å endre disse vilkårene. JCS (Europe) påtar seg, i garantiperioden, å reparere eller erstatte apparatet eller noen del av apparatet som ikke fungerer som det skal, kostnadsfritt, gitt at:

- du raskt gir beskjed til kjøpsstedet eller JCS (Europe) om problemet, og
- apparatet ikke har blitt endret på noen måte eller utsatt for skade, feil bruk, misbruk, reparasjoner eller ombygging utført av noen andre enn personer autorisert av JCS (Europe).

Feil som inntreffer på grunn av feil bruk, skade, misbruk, bruk med feil spenning, naturulykker, hendelser utenfor JCS (Europe) sin kontroll, reparasjoner eller ombygging utført av noen andre enn personer autorisert av JCS (Europe) eller unnlattelse å følge bruksinstruksjonene, dekkes ikke av denne garantien.

I tillegg dekkes ikke normal slitasje, inkludert, men ikke begrenset til, mindre misfarging og skraper, av denne garantien.

Rettighetene under denne garantien skal kun gjelde for den opprinnelige kjøperen, og skal ikke utvides til kommersielt eller offentlig bruk.

Hvis apparatet ditt inkluderer et landsspesifikt garantiark, se vilkårene i en slik garanti i stedet for denne garantien, eller ta kontakt med din lokale autoriserte forhandler for mer informasjon.

Elektriske produkter skal ikke avhendes sammen med husholdningsavfall. Lever elektriske produkter ved egnede anlegg. Send oss en e-post på enquiriesEurope@jardencs.com for mer informasjon om resirkulering og WEEE.

Jarden Consumer Solutions (Europe) Limited
5400 Lakeside
Cheadle Royal Business Park
Cheadle
SK8 3GQ
United Kingdom



WAŻNE ZASADY BEZPIECZEŃSTWA**UWAŻNIE PRZECZYTAJ I ZACHOWAJ NA PRZYSZŁOŚĆ.**

Urządzenie to może być używane przez dzieci od 8. roku życia oraz osoby o ograniczonej sprawności fizycznej, czuciowej lub psychicznej lub osoby niemające doświadczenia ani wiedzy, pod warunkiem że korzystają z urządzenia pod nadzorem lub zostały poinstruowane odnośnie do bezpiecznego używania urządzenia oraz mają świadomość ryzyka związanego z jego użytkowaniem. Dzieci nie powinny bawić się urządzeniem. Dzieci nie powinny czyścić ani konserwować urządzenia, chyba że mają więcej niż 8 lat i są nadzorowane.

Urządzenie i jego przewód z dala od dzieci w wieku poniżej 8 lat.

Nigdy nie używaj urządzenia pod szafkami lub zasłonami albo innymi materiałami łatwopalnymi.

Nigdy nie obsługuj urządzenia za pomocą osobnego wyłącznika czasowego lub systemu zdalnego sterowania.

⚠ Podczas działania urządzenia nie dotykaj jego metalowych części, ponieważ mogą być bardzo gorące.

Nigdy nie używaj urządzenia niezgodnie z jego przeznaczeniem. Urządzenie jest przeznaczone wyłącznie do użycia w gospodarstwie domowym. Nie wolno go używać na zewnątrz.

W celu uniknięcia zagrożenia uszkodzony przewód zasilający może być wymieniony jedynie przez producenta, autoryzowany serwis lub wykwalifikowaną osobę.

- Nigdy nie dotykaj wtyczki ani wyłącznika zasilania wilgotnymi rękami.
- Zawsze używaj urządzenia na stabilnej, bezpiecznej, suchej i poziomej powierzchni.
- Należy zachować ostrożność, gdy urządzenie jest używane na powierzchniach, które może uszkodzić wysoka temperatura. W takiej sytuacji zaleca się użycie podkładki izolacyjnej.

- Tego urządzenia nie można umieszczać na żadnych potencjalnie gorących powierzchniach (takich jak kuchenki gazowe lub elektryczne) ani w ich pobliżu.
- Przewód zasilający nie może zwisać nad krawędzią blatu ani dotykać gorących powierzchni; nie wolno go zapętleć, przycinać ani przyciskać.
- Nie używaj urządzenia, które zostało upuszczone lub posiada widoczne oznaki uszkodzenia.
- Przed wyjęciem lub włożeniem płyt grzejnych oraz przed czyszczeniem urządzenie musi zostać wyłączone i odłączone od gniazda zasilania.
- Przed czyszczeniem lub odłożeniem na miejsce przechowywania urządzenie musi ostygnąć.
- Nie zanurzaj w wodzie (ani innym płynie) obudowy, przewodu zasilającego ani wtyczki.
- Nigdy nie pozostawiaj działającego urządzenia bez nadzoru.

CZĘŚCI

- 1 Zatrzask
- 2 Uchwyt
- 3 Szczeliny wyrównujące
- 4 Elementy grzewcze
- 5 Kontrolka zasilania (zielona)
- 6 Kontrolka gotowości (pomarańczowa)
- 7 Przyciski zwalniania
- 8 Płyty grzejne z powłoką DuraCeramic™ (x2)
- 9 Blokady wyrównujące

PRZED PIERWSZYM UŻYCIEM

- Wyjmij gofrownicę z opakowania. Opakowanie może się przydać w przyszłości.
- Wyjmij i dokładnie umyj płyty grzejne, aby usunąć wszystkie zanieczyszczenia i pozostałości z procesu produkcyjnego (postępuj zgodnie ze wskazówkami w części *Czyszczenie*).
- Do czyszczenia zewnętrznej strony gofrownicy używaj wilgotnej, miękkiej szmatki. Pokrywek można wytrzeć suchą, miękką szmatką.

Podczas pierwszego użycia gofrownicy może być wyczuwalny śwąd i może się pojawić dym. To normalne objawy, które po chwili ustępują.

FUNKCJE

Płyty grzejne z powłoką DuraCeramic™

Płyty grzejne są pokryte wyjątkową powłoką DuraCeramic™. Ta specjalna naturalna powłoka ceramiczna przekazuje ciepło szybciej i wydajniej niż zwykle powłoki zapobiegające przywieraniu, dzięki czemu pyszne domowe przekąski można przygotować szybciej. Ponadto powłoka DuraCeramic™ jest odporna na zarysowania, co zwiększa trwałość produktu. Powłoka DuraCeramic™ nie zawiera PTFE ani PFOA, jest więc nie tylko trwała i łatwa do czyszczenia, ale też bezpieczna.

Powłoka DuraCeramic™ — sprawdzi się w każdej sytuacji.

OBSŁUGA GOFROWNICY

▲ Zachowaj ostrożność w pobliżu gorących powierzchni.

Płyty grzejne nagrzewają się do bardzo wysokiej temperatury. **NIE DOTYKAJ** żadnych części płyt grzejnych ani nie próbuj ich wyjmować lub zakładać, dopóki całkiem nie ostygną.

Podczas pracy z gofrownicy ze wszystkich stron wydobywa się para.

Nigdy nie pozostawiaj działającej gofrownicy bez nadzoru.

1. Podłącz gofrownicę do gniazdka zasilania. Zaświeci się zielona kontrolka zasilania i gofrownica zacznie się nagrzewać.
2. Gdy gofrownica w pełni się nagrzeje, zaświeci się pomarańczowa kontrolka gotowości. Kontrolka ta będzie się zaświecać i gasnąć podczas opiekania.
3. Otwórz zatrzask na uchwycie i otwórz pokrywę.
4. Ostrożnie wylej ciasto na dolną płytę grzejną. Aby uzyskać doskonałe gofry, zalecamy wlewać po łyżce ciasta (ok. 75 ml) na środek każdej kratki płyty grzejnej. Uważaj, aby nie wylać zbyt dużej ilości ciasta, ponieważ może ono wylać się poza krawędzie płyty grzejnej.
5. Zamknij pokrywę. **NIE** zamykaj pokrywy na zatrzask podczas pieczenia. Pozwala to na wyrośnięcie gofrów i uwolnienie pary (podczas wyrastania można zauważyć lekkie podnoszenie się pokrywy). Upiecz gofry zgodnie z czasem podanym w przepisie.
6. Po upieczeniu podnieś pokrywę. Uważaj na parę wydobywającą się z gofrownicy — użyj ściereczki lub załóż rękawice kuchenne. Wyjmij gofra, używając drewnianej lub silikonowej łopaty. Nie używaj metalowych przedmiotów, aby nie uszkodzić powłoki DuraCeramic™ na płytach grzejnych.
7. Odłącz gofrownicę od zasilania. Nie pozostawiaj włączonej gofrownicy, jeśli jest pusta.

CZYSZCZENIE

▲ **Przed czyszczeniem gofrownicy wyłącz ją, wyjmij wtyczkę z gniazdka i poczekaj, aż urządzenie całkiem ostygnie. Nie zanurzaj w wodzie (ani innym płynie) obudowy, przewodu zasilającego ani wtyczki.**

Do czyszczenia gofrownicy nie używaj stalowych zmywaków, myjek z twardej wełny, środków czyszczących o właściwościach ściernych ani metalowych narzędzi.

1. Przetrzyj płyty grzejne bibułą lub wilgotną, miękką szmatką.
2. Do czyszczenia zewnętrznej strony gofrownicy używaj wilgotnej, miękkiej szmatki. Pokrywę można wytrzeć suchą, miękką szmatką.
3. Wyjmij pokrywę kolejno. Naciśnij odpowiedni przycisk zwalnający i podnieś płytę, odsuwając ją od elementu grzewczego.
4. Umyj płyty ciepłą wodą z mydłem. Oplucz czystą wodą. Wytrzyj do sucha miękką szmatką.
Uwaga: Aby chronić powłokę DuraCeramic™, zalecamy myć płyty grzejne wyłącznie ręcznie.
5. Zakładaj pokrywę kolejno. Włóż blokady wyrównujące do szczelin umieszczonych po bokach gofrownicy. Delikatnie naciśnij płytę, aby zablokować ją na elemencie grzewczym.
Uwaga: Dolna płyta jest nieco płytsza od górnej. Każdą płytę można umieścić tylko w określonym położeniu na gofrownicy (na górze lub na dole).

PRZECHOWYWANIE

- Przed odłożeniem gofrownicy na miejsce przechowywania poczekaj, aż zupełnie ostygnie, i sprawdź, czy jest czysta.
- Zablokuj płyty grzejne za pomocą zatrzasku. Zwiń przewód zasilający w schowku.
- Przechowuj urządzenie w pozycji stojącej. Możesz też położyć je płaskiej, poziomej powierzchni, z dala od krawędzi blatu, tak aby nie można go było łatwo przewrócić.

WSKAZÓWKI I PORADY

- Podczas przygotowywania ciasta na gofry klasyczne lub luksus pamiętaj, aby nie mieszać go zbyt dokładnie. Ciasto powinno być nieco grudkowate. Zbyt gładkie ciasto da w efekcie gumiate gofry, które słabo wyrastają.
- Przygotowując więcej niż jedną partię gofrów, trzymaj je po upieczeniu w nagrzanym piekarniku, aż pozostałe będą gotowe. Ułóż je jedna warstwą na blasze i ustaw niską temperaturę. Dzięki temu wszyscy będą mogli zjeść gofry w tym samym czasie.
- Gofry można łatwo zamrażać i rozmrażać. Odstaw je do całkowitego ostygnięcia, a następnie ułóż na sobie dwa gofry, przekładając je papierem do pieczenia. Zawień w folię lub włóż do foliowej torebki i zamroź. Aby rozmrozić gofry, po prostu umieść je w tosterze.

PRZEPISY

Gofry klasyczne — 12 sztuk

- 280 g mąki
- 2 łyżeczki proszku do pieczenia
- 50 g cukru pudru
- 1 łyżeczka soli
- 425 ml mleka
- 1 łyżeczka ekstraktu waniliowego
- 3 duże jaja
- 125 g stopionego masła

1. W misce wymieszaj mąkę, proszek do pieczenia, cukier i sól.
2. W drugiej misce ubij mleko, ekstrakt z wanilii i jaja.
3. Zrób wgłębienie w suchych składnikach, dodaj masę mleczną i masło. Wymieszaj tylko do połączenia składników (ciasto powinno wciąż być grudkowate). Nie mieszaj zbyt dokładnie. Aby uzyskać najlepsze rezultaty, odstaw ciasto na kilka minut, aby odpoczęło.
4. Nagrzej gofrownicę, aż kontrolka gotowości zaświeci się.
5. Posmaruj płyty grzejne odrobiną oleju, następnie nalej ok. 75 ml ciasta na środek każdej kratki płyty grzejnej.
6. Opuść pokrywę, ale nie zamykaj zatrasku. Piecz przez około 7 minuty, aż gofry będą złociste.

Doskonale smakują z jogurtem greckim, świeżymi owocami jagodowymi i odrobiną miodu.

Luksus belgijskie — 12 sztuk

- 250 g mąki
- 2 łyżeczki proszku do pieczenia
- 1 łyżka cukru
- ½ łyżeczki soli
- 3 żółtka jaj, ubite
- 3 białka jaj, ubite na sztywną pianę
- 400 ml mleka
- 115 ml oleju roślinnego

1. W misce wymieszaj mąkę, proszek do pieczenia, cukier i sól.
2. W drugiej misce ubij mleko, żółtka i olej.
3. Zrób wgłębienie w suchych składnikach, dodaj masę mleczną. Wymieszaj tylko do połączenia składników (ciasto powinno wciąż być grudkowate). Nie mieszaj zbyt dokładnie.
4. Dodaj pianę z białek i delikatnie wymieszaj tylko do połączenia składników (nie mieszaj zbyt dokładnie).
5. Nagrzej gofrownicę, aż kontrolka gotowości zaświeci się.
6. Posmaruj płyty grzejne odrobiną oleju, następnie nalej ok. 75 ml ciasta na środek każdej kratki płyty grzejnej.
7. Opuść pokrywę, ale nie zamykaj zatrasku. Piecz przez około 7 minuty, aż gofry będą złociste.

Masz ochotę na cytrynowe gofry bezowe? Posyp je skórą z cytryny i pokruszoną bezą, dodaj bitą śmietaną.

Gofry czekoladowe — 12 sztuk

- 200 g mąki
- 100 g cukru pudru
- 45 g kakao naturalnego
- 1 łyżeczka soli
- ½ łyżeczki sody oczyszczonej
- 450 ml mleka
- 1 łyżeczka ekstraktu waniliowego
- 3 duże jaja
- 60 g stopionego masła, ostudzonego
- 110 g kawałków czekolady

1. W misce wymieszaj mąkę, cukier, kakao, sól i sodę oczyszczoną.
2. W drugiej misce ubij mleko, ekstrakt z wanilii i jaja.
3. Zrób wgłębienie w suchych składnikach, dodaj masę mleczną i masło. Zmiksuj na gładką masę.
4. Dodaj kawałki czekolady, wymieszaj.
5. Nagrzej gofrownicę, aż kontrolka gotowości zaświeci się.
6. Posmaruj płyty grzejne odrobiną oleju, następnie nalej ok. 75 ml ciasta na środek każdej kratki płyty grzejnej.
7. Opuść pokrywę, ale nie zamykaj zatrasku. Piecz przez około 7 minuty.

Doskonale smakują z lodami waniliowymi, pokruszonymi pistacjami i malinami.

Gofry wielozłaziste z chia — 6 sztuk

- 250 ml maślanki
- 190 ml mleka
- 50 g chutneyu z cebuli
- 1 jajo, ubite
- 2 łyżki nasion chia
- 1 łyżeczka ekstraktu waniliowego
- 160 g razowej mąki pszennej
- 40 g płatków owsianych
- 25 g zmielonych migdałów
- 2 łyżeczki proszku do pieczenia
- 2 łyżeczki cukru
- ¼ łyżeczki soli

1. W średniej misce wymieszaj maślankę, mleko, chutney z cebuli, jajo, nasiona chia i ekstrakt waniliowy. Odstaw na 2 minuty, aby nasiona chia nasiąkły i spęczniały.
2. W drugiej misce wymieszaj mąkę, płatki owsiane, mielone migdały, proszek do pieczenia, cukier i sól.
3. Zrób wgłębienie w suchych składnikach, dodaj masę mleczną i zmiksuj na gęste, gładkie ciasto.
4. Nagrzej gofrownicę, aż kontrolka gotowości zaświeci się.
5. Posmaruj płyty grzejne odrobiną oleju, następnie nalej ok. 75 ml ciasta na środek każdej kratki płyty grzejnej.
6. Opuść pokrywę, ale nie zamykaj zatrasku. Piecz przez około 7 minuty, aż gofry będą złociste.

Doskonała zdrowa przekąska z podsmażonym szpinakiem i jajkiem w koszulce.

Gofry ziemniaczane — 6 sztuk

- 2 łyżki masła
- 1 cebula, pokrojona w drobną kostkę
- 1 łyżeczka drobno posiekanego czosnku
- 360 g ziemniaków purée
- 30 g mąki
- 2 jajka
- ¼ łyżeczki soli
- ¼ łyżeczki mielonego pieprzu

1. Delikatnie zeszklij cebulę i czosnek na maśle (ok. 5–7 minut).
2. Do miski włóż purée ziemniaczane, dodaj podsmażoną cebulę, mąkę, jajka i przyprawy. Zmiksuj na gęste, gładkie ciasto.
3. Nagrzew gofrownicę, aż kontrolka gotowości zaświeci się.
4. Posmaruj płyty grzejne odrobiną oleju, następnie nalej ok. 75 ml ciasta na środek każdej kratki płyty grzejnej.
5. Opuść pokrywę, ale nie zamykaj zatrasku. Piecz przez około 7 minut, aż gofry będą złociste.

Doskonale smakują z cienko pokrojonym stekiem, rukolą i dressingiem z octu balsamicznego.

GWARANCJA

Prosimy o zachowanie rachunku, ponieważ jego okazanie będzie konieczne w przypadku jakichkolwiek roszczeń gwarancyjnych.

Niniejszy produkt objęty gwarancją obowiązującą przez okres 2 lat od daty zakupu produktu, zgodnie z warunkami określonymi w tym dokumencie.

Jeżeli w okresie gwarancyjnym urządzenie przestanie prawidłowo funkcjonować (co jest mało prawdopodobne) z powodu wad konstrukcyjnych lub wykonawczych, należy dokonać jego zwrotu w punkcie zakupu, załączając rachunek i kopię niniejszej gwarancji.

Prawa i świadczenia z tytułu niniejszej gwarancji uzupełniają prawa określone w przepisach, na które niniejsza gwarancja nie ma wpływu. Zmiany niniejszych warunków może dokonać tylko firma Jarden Consumer Solutions (Europe) Limited („JCS (Europe)”).

Firma JCS (Europe) zobowiązuje się w okresie gwarancyjnym do przeprowadzenia bezpłatnej naprawy lub wymiany urządzenia lub dowolnej jego części, która funkcjonuje nieprawidłowo, pod warunkiem, że:

- Użytkownik powinien natychmiast poinformować o zaistniałym problemie punkt sprzedaży lub firmę JCS (Europe); oraz
- Urządzenie nie było w żaden sposób modyfikowane, uszkodzone lub eksploatowane w niewłaściwy sposób ani naprawiane przez osobę nie posiadającą upoważnienia ze strony firmy JCS (Europe).

Gwarancją nie są objęte uszkodzenia będące wynikiem niewłaściwego używania, zniszczenia, użytkowania przy nieprawidłowym napięciu, działania sił natury lub zdarzeń, na które firma JCS (Europe) nie ma wpływu, napraw dokonywanych przez osoby nie posiadające upoważnienia ze strony firmy JCS (Europe) lub postępowania niezgodnego z zasadami określonymi w instrukcji użytkowania. Ponadto, niniejsza gwarancja nie obejmuje normalnego zużycia i zniszczenia, w tym między innymi, drobnych odbarwień i zadrapań.

Prawa określone w tej gwarancji dotyczą tylko pierwotnego nabywcy produktu i nie obejmują użytkownika o charakterze komercyjnym i komunalnym.

Jeżeli do urządzenia załączona jest ulotka gwarancyjna przeznaczona dla danego kraju, prosimy odwołać się do warunków określonych w tej gwarancji, która zastępuje niniejszą gwarancję, lub skontaktować się z lokalnym autoryzowanym dealerem w sprawie uzyskania dokładniejszych informacji.

Nie należy wyrzucać zużytych artykułów elektrycznych razem z odpadami domowymi. Należy je, w miarę możliwości, poddać recyklingowi. W celu uzyskania szczegółowych informacji na temat recyklingu lub dyrektywy WEEE, skontaktuj się z nami pod adresem enquiriesEurope@jardens.com.

Jarden Consumer Solutions (Europe) Limited
5400 Lakeside
Cheadle Royal Business Park
Cheadle
SK8 3GQ
United Kingdom



DŮLEŽITÉ BEZPEČNOSTNÍ POKYNY

ČTĚTE POZORNĚ A USCHOVEJTE PRO POZDĚJŠÍ POUŽITÍ

Toto zařízení mohou používat děti od 8 let, osoby s tělesným, sensorickým a mentálním hendikepem a nezkušení uživatelé za předpokladu, že budou pod dohledem nebo poučení o bezpečném použití zařízení a rizicích souvisejících s jeho používáním, a tomuto poučení porozumí. Děti si nesmí se zařízením hrát. Čištění a údržbu zařízení smí provádět pouze děti starší 8 let, a to pouze pod dohledem.

Zařízení i napájecí kabel uchovávejte mimo dosah dětí mladších 8 let.

Nikdy nepoužívejte toto zařízení pod kredencí, poličkami, záclonami či jiným hořlavým materiálem.

Zařízení nikdy neovládejte pomocí externího časovače nebo dálkového ovladače.

⚠ Během provozu topinkovače se nedotýkejte kovových částí zařízení. Mohou být velmi horké.

Nikdy nepoužívejte toto zařízení k jinému účelu, než k jakému je určeno. Toto zařízení je určeno pouze pro domácí použití.

Nepoužívejte toto zařízení venku.

Je-li napájecí kabel poškozen, je nutné, aby jeho výměnu provedl výrobce, jeho servisní zástupce nebo obdobně kvalifikovaná osoba, aby nedošlo k ohrožení.

- Před manipulací se zástrčkou nebo před zapnutím zařízení se ujistěte, že máte suché ruce.
- Zařízení vždy používejte na stabilním, bezpečném, suchém a rovném povrchu.
- Při používání zařízení na površích citlivých vůči teple je třeba dbát zvýšené opatrnosti. Doporučujeme použít izolační podložku.
- Toto zařízení nesmí být umístěno v blízkosti potenciálně horkých povrchů (jako jsou například plynové či elektrické plotny).
- Nikdy nenechávejte napájecí kabel viset z kuchyňské linky, dotýkat se horkých povrchů ani ho nenechávejte zamotaný, přiskřípnutý nebo stlačený.
- Pokud na zařízení v důsledku pádu zpozorujete poškození, přestaňte zařízení používat.

- Po použití, před vyjímáním nebo vkládáním plotýnek a před čištěním se vždy ujistěte, že je zařízení vypnuté.
- Před čištěním či uschováním vždy nechte zařízení vychladnout.
- Těleso sendvičovače, přívodní šňůru ani zástrčku nikdy neponořujte do vody ani žádné jiné kapaliny.
- Během používání nikdy nenechávejte zařízení bez dozoru.

SOUČÁSTI

- 1 Západa
- 2 Rukojeť
- 3 Otvory pro zarovnání
- 4 Topné prvky
- 5 Kontrolka napájení (zelená)
- 6 Kontrolka připravenosti (oranžová)
- 7 Tlačítka pro uvolnění
- 8 Dvě plotýnky s povrchovou vrstvou DuraCeramic™
- 9 Výstupky pro zarovnání

PŘED PRVNÍM POUŽITÍM

- Vybalte svůj vaflavač. Obal můžete uschovat pro pozdější použití.
- Chcete-li odstranit jakékoli nečistoty nebo případné pozůstatky z výrobního procesu, vyjměte plotýnky a umyjte je (dodržujte pokyny v části Čištění).
- Vnější části vaflavače můžete očistit vlhkým měkkým hadříkem. Kryt můžete přeleštit jemným suchým hadříkem.

Při prvním použití vaflavače je možné, že ucítíte mírný zápach spáleniny a zpozorujete trochu dýmu. Tyto jevy jsou zcela běžné a brzy zmizí.

FUNKCE

Plotýnky s povrchovou vrstvou DuraCeramic™

Plotýnky jsou opatřeny exkluzivní povrchovou vrstvou DuraCeramic™. Tato speciální povrchová vrstva z přírodní keramiky je navržena tak, aby přenášela teplo rychleji a efektivněji než standardní nepřílnavé vrstvy. Díky tomu své delikátní domácí svačinky připravíte rychleji. Povrchová vrstva DuraCeramic™ je navíc odolná proti poškrábání. Tento produkt zkrátka vydrží. Exkluzivní povrchová vrstva DuraCeramic™ neobsahuje škodlivé látky PTFE ani PFOA. Navíc je vysoce odolná a snadno se čistí. Povrchová vrstva DuraCeramic™ – poradí si se vším.

POUŽITÍ VAFLOVAČE

⚠ V blízkosti horkých povrchů buďte opatrní. Plotýnky budou během používání velmi horké. NEDOTÝKEJTE SE jakýchkoli částí ani se nepokoušejte vyjmát nebo vkládat plotýnky, dokud zcela nevychladnou.

Během provozu může kolem vaflovače unikat pára.

Vaflovač během používání nikdy nenechávejte bez dozoru.

1. Zapojte vaflovač do zásuvky a v případě potřeby ji zapněte. Rozsvítí se zelená kontrolka napájení a vaflovač se začne zahřívat.
2. Jakkmile se vaflovač plně zahřeje, rozsvítí se oranžová kontrolka připravenosti k použití. Tato kontrolka se bude během používání vaflovače střídavě rozsvěcovat a zase zhasínat.
3. Odjistěte západku na rukojeti a otevřete víko.
4. Opatrně nalijte připravené těsto na spodní plotýnku. Aby vafle byly perfektní, doporučujeme nalít jednu menší naběračku (asi 75 ml) těsta do středu mřížky každé plotýnky. Dejte pozor, abyste plotýnku nepřeplnili, protože těsto by vyteklo přes okraje.
5. Zavřete víko. Během pečení NEZAJIŠŤUJTE západku. Vafle tak budou mít možnost nabýt a vzniklá pára bude moci ucházet. Během pečení můžete pozorovat, že se víko mírně zvedá. Vafle pečte tak dlouho, jak je uvedeno v receptu.
6. Po upečení otevřete víko. Dávejte pozor, ať vás neopáří unikající pára – použijte utěrku na nádobí nebo chňapku. Hotové vafle vytáhněte pomocí lopatky vyrobené z nekovového materiálu. Nepoužívejte kovovou lopatku, neboť ta může poškodit povrchovou vrstvu DuraCeramic™ na plotýnkách.
7. Odpojte vaflovač ze zásuvky. Jestliže vaflovač právě nepoužíváte, nenechávejte ho zapojený do zásuvky.

ČIŠTĚNÍ

⚠ Vaflovač vypněte, odpojte ze sítě a před čištěním ho nechte zcela vychladnout. Tělo vaflovače, přívodní šňůru ani zástrčku nikdy neponořujte do vody ani žádné jiné kapaliny.

K čištění vaflovače nikdy nepoužívejte drátěnku, houbičky na mytí nádobí, pískové čisticí prostředky či kovové pomůcky.

1. Plotýnky otřete dobře sajícím papírem nebo jemným navlhčeným hadříkem.
2. Vnější části vaflovače můžete očistit vlhkým měkkým hadříkem. Kryt můžete přeštit jemným suchým hadříkem.
3. Plotýnky vyjmejte po jedné. Stiskněte odpovídající tlačítko pro uvolnění a vyjměte plotýnku z topného prvku.
4. Plotýnky omyjte v teplé vodě s trochou saponátu. Opláchněte je čistou vodou. Pomocí měkké utěrky je otřete dosucha. Poznámka: Plotýnky doporučujeme mýt pouze v ruce, aby zůstala zachována povrchová vrstva DuraCeramic™.

5. Plotýnky vkládejte po jedné. Výstupky pro zarovnání zasuňte do otvorů pro zarovnání na straně pantů. Mírně zatlačte na plotýnku, abyste ji zacvakli na topný prvek. Poznámka: Spodní plotýnka je o něco mělčí než horní. Každá plotýnka pasuje pouze do správné pozice ve vaflovači (horní nebo dolní).

SKLADOVÁNÍ

- Před uskladněním nechte vaflovač zcela vychladnout a zkontrolujte, zda je čistý.
- Uzavřením západky na rukojeti uzamkněte plotýnky k sobě. Kabel navíňte do úložného prostoru.
- Zařízení uchovávejte nastojato. Případně je uchovávejte na plochem a rovném povrchu dostatečně daleko od hran a míst, kde by se zařízení mohlo snadno převrátit.

TIPY A RADY

- Při přípravě klasických a luxusní vafli dejte pozor, abyste těsto nepřeshlehali. Tato těsta musí být mírně hrudkovitá. Jestliže těsto vyšleháte dohladka, vafle budou gumové a nenabudou.
- Pokud připravujete několik várek vafli, již hotové vafle schovejte do mírně nahřáté trouby, aby zůstaly teplé. Rozehřejte troubu na nízkou teplotu, vyskládejte vafle v jedné vrstvě na plech, který následně dejte do trouby. Takto si budou moci všichni vychutnat teplé a čerstvé vafle společně.
- Vafle také můžete snadno zmrazit a znovu ohřát. Chcete-li vafle zmrazit, nechejte je zcela vychladnout a poté položte na sebe vždy dvě vafle oddělené pečicím papírem. Zabalte je do potravinové fólie nebo do sáčku a zmrazte. Jakkmile budete chtít vafle rozmrazit, jednoduše je vložte do vaflovače.

RECEPTY

Klasické vafle – 12 porcí

- 280 g hladké mouky
- 2 čajové lžičky kypřicího prášku
- 50 g třtinového cukru
- 1 čajová lžička soli
- 425 ml mléka
- 1 čajová lžička extraktu z vanilky
- 3 velká vejce
- 125 g rozpuštěného másla

1. V nádobě smíchejte mouku, kypřicí prášek, cukr a sůl.
2. Ve druhé nádobě vyšlehejte mléko, extrakt z vanilky a vejce.
3. V suchých surovinách vytlačte dolík, vlijte do něj vyšlehanou směs a přidejte máslo. Vše vyšlehejte tak, aby se suroviny zhruba spojily, ale v těstu stále byly trochu hrudky. Pozor, abyste těsto nepřeshlehali! Nechejte těsto pár minut odpočinout.
4. Přehřejte vaflovač, dokud se nerozsvítí kontrolka připravenosti k použití.
5. Obě plotýnky vymastěte trochou oleje (můžete použít kuchyňský olej ve spreji nebo nanést rostlinný olej mašlovačkou) a pomalu nalijte přibližně 75 ml těsta do prostřed mřížky každé plotýnky.
6. Zavřete víko, ale nezajišťujte západku. Pečte dozlatova asi 7 minut.

Vafle skvěle chutnají ozdobené řeckým jogurtem, čerstvým ovocem a trochou medu.

Luxusní vafle – 12 porcí

- 250 g hladké mouky
- 2 čajové lžičky kypřicího prášku
- 1 polévková lžice cukru
- ½ čajové lžičky soli
- 3 žlutky, rozšlehané
- 3 bílky, vyšlehané do sněhu
- 400 ml mléka
- 115 ml rostlinného oleje

1. V nádobě smíchejte mouku, kypřicí prášek, cukr a sůl.
2. Ve druhé nádobě vyšlehejte mléko, žlutky a rostlinný olej.
3. V suchých surovinách vytlačte dolík a vlijte do něj vyšlehanou směs. Vše vyšlehejte tak, aby se suroviny zhruba spojily, ale v těstu stále byly trochu hrudky. Pozor, abyste těsto nepřeshlehali!
4. Jemně vmíchejte sníh z bílků. Opět dejte pozor, abyste těsto nepřeshlehali.
5. Přehřejte vaflovač, dokud se nerozsvítí kontrolka připravenosti k použití.
6. Obě plotýnky vymastěte trochou oleje (můžete použít kuchyňský olej ve spreji nebo nanést rostlinný olej mašlovačkou) a pomalu nalijte přibližně 75 ml těsta do prostřed mřížky každé plotýnky.

7. Zavřete víko, ale nezajišťujte západku. Pečte dozlatova asi 7 minut.

Vyzkoušejte také citronové vafle se sněhovými pusinkami! Jednoduše vafle ozdobte citronovým krémem, rozdrčenými pusinkami a šlehačkou.

Čokoládové vafle – 12 porcí

- 200 g hladké mouky
- 100 g třtinového cukru
- 45 g kakaového prášku
- 1 čajová lžička soli
- ½ čajové lžičky jedlé sody
- 450 ml mléka
- 1 čajová lžička extraktu z vanilky
- 3 velká vejce
- 60 g rozpuštěného másla, vychlazeného
- 110 g kousků hořké čokolády

1. V nádobě smíchejte mouku, cukr, kakaový prášek, sůl a jedlou sodu.
2. Ve druhé nádobě vyšlehejte mléko, extrakt z vanilky a vejce.
3. V suchých surovinách vytlačte dolík, vlijte do něj vyšlehanou směs a přidejte máslo. Společně vyšlehejte do hladkého těsta.
4. Vmíchejte kousky čokolády.
5. Přehřejte vaflovač, dokud se nerozsvítí kontrolka připravenosti k použití.
6. Obě plotýnky vymastěte trochou oleje (můžete použít kuchyňský olej ve spreji nebo nanést rostlinný olej mašlovačkou) a pomalu nalijte přibližně 75 ml těsta do prostřed mřížky každé plotýnky.
7. Zavřete víko, ale nezajišťujte západku. Pečte asi 7 minut.

Vyzkoušejte také s vanilkovou zmrzlinou, drčenými pistáciemi a čerstvými malinami.

Celozrné vafle s chia semínky – 6 porcí

- 250 ml podmáslí
- 190 ml mléka
- 50 g cibulového chutney
- 1 žloutek, rozšlehaný
- 2 polévkové lžice chia semínek
- 1 čajová lžička extraktu z vanilky
- 160 g celozrné nebo špaldové mouky
- 40 g ovesných vloček
- 25 g strouhaných mandlí
- 2 čajové lžičky kypřicího prášku
- 2 čajové lžičky cukru
- ¼ čajové lžičky soli

1. Ve středně velké nádobě smíchejte podmáslí, mléko, cibulové chutney, vejce, chia semínka a extrakt z vanilky. Počkejte 2 minuty, aby chia semínka nasákla a nabobtnala.
2. V druhé nádobě smíchejte mouku, ovesné vločky, strouhané mandle, kypřicí prášek, cukr a sůl.
3. V suchých surovinách vytlačte dolík a vlijte do něj připravenou směs. Šlehejte, dokud nezískáte husté a hladké těsto.

4. Předehřejte vaflovač, dokud se nerozsvítí kontrolka připravenosti k použití.
5. Obě plotýnky vymastěte trochou oleje (můžete použít kuchyňský olej ve spreji nebo nanést rostlinný olej mašlovačkou) a pomalu nalijte přibližně 75 ml těsta doprostřed mřížky každé plotýnky.
6. Zavřete víko, ale nezajišťujte západku. Pečte dozlatova asi 7 minut.

Jestliže si chcete dopřát zdravou a rychlou svačinku, podávejte tyto vafle se spařeným špenátem a vejcem naměkko.

Bramborové vafle – 6 porcí

- 2 polévkové lžíce másla
 - 1 cibule, najemno nakrájená
 - 1 čajová lžička najemno nakrájeného česneku
 - 360 g štouchaných brambor
 - 30 g hladké mouky
 - 2 vejce
 - ¼ čajové lžičky soli
 - ¼ čajové lžičky mletého pepře
1. Na másle jemně osmahněte cibuli a česnek, dokud nezměkknou (asi 5 až 7 minut).
 2. V nádobě rozmačkejte brambory a přidejte cibulovou směs, mouku, vejce a koření. Dobře promíchejte a vytvořte hladké husté těsto.
 3. Předehřejte vaflovač, dokud se nerozsvítí kontrolka připravenosti k použití.
 4. Obě plotýnky vymastěte trochou oleje (můžete použít kuchyňský olej ve spreji nebo nanést rostlinný olej mašlovačkou) a pomalu nalijte přibližně 75 ml těsta doprostřed mřížky každé plotýnky.
 5. Zavřete víko, ale nezajišťujte západku. Pečte dozlatova asi 7 minut.

Vafle výborně chutnají s natenka nakrájeným steakem, roketou a balzamikovým dresinkem.

ZÁRUKA

Doklad o koupi přístroje pečlivě uschovejte. Je potřeba při reklamaci v rámci této záruky.

Tento výrobek podléhá 2 leté záruční době od data zakoupení, jak je uvedeno dále v dokumentu.

Pokud během záruční doby dojde k nepravděpodobné situaci, že přístroj přestane fungovat kvůli konstrukční či výrobní závadě, dopravte ho do prodejny, kde jste jej zakoupili, včetně dokladu o koupi a tohoto záručního listu.

Práva a výhody v rámci této záruky doplňují vaše zákonná práva, která nejsou touto zárukou dotčena. Pouze Jarden Consumer Solutions (Europe) Limited (dále jen „JCS (Europe)“) má právo měnit tyto podmínky.

JCS (Europe) se během záruční doby zavazuje k bezúplatné opravě či náhradě přístroje nebo jakékoli součásti, která řádně nefunguje, za těchto podmínek:

- na daný problém neprodleně upozorníte příslušnou prodejnu nebo JCS (Europe), a
- na zařízení nebylo provedeno žádné změny, zařízení nebylo poškozeno ani používáno nesprávným způsobem nebo opraveno osobou, která nemá oprávnění JCS (Europe).

Tato záruka se nevztahuje na závady, k nimž dojde nesprávným užitím, poškozením, zneužitím, zavedením nesprávného napětí, vyšší moci či událostmi, nad nimiž JCS (Europe) nemá kontrolu, opravou či úpravou někoho jiného než osoby, která má oprávnění JCS (Europe), nebo kvůli jiným postupům než jsou popsány v návodu k obsluze. Tato záruka se navíc nevztahuje na běžné opotřebení včetně – ale bez omezení jen na ně – menších barevných změn a poškrábání povrchu.

Práva v rámci této záruky se týkají pouze osoby, která zařízení původně zakoupila, a nelze je rozšířit na komerční ani komunální využití.

Pokud se na vaše zařízení vztahuje záruka specifická pro konkrétní stát nebo pokud byl k zařízení přiložen záruční list, najdete další informace v podmínkách dané záruky nebo je získáte od místního autorizovaného prodejce.

Elektrická zařízení určená k likvidaci nesmí být zlikvidována jako domovní odpad. Jestliže je to možné, recyklujte prosím. Chcete-li získat více informací o recyklaci a směrnicích WEEE, napište nám na enquiriesEurope@jardencs.com.

Jarden Consumer Solutions (Europe) Limited
5400 Lakeside
Cheadle Royal Business Park
Cheadle
SK8 3GQ
United Kingdom



FONTOS BIZTONSÁGI UTASÍTÁSOK

FIGYELMESEN OLVASSA EL ÉS ŐRIZZE MEG KÉSŐBBI FELHASZNÁLÁS CÉLJÁBÓL.

A készüléket 8 évesnél idősebb gyerekek, korlátozott fizikai, érzékszervi és mentális képességekkel rendelkező személyek, valamint a készülék használatában gyakorlatlaltal és ismeretekkel nem rendelkező személyek is használhatják felügyelet mellett, vagy abban az esetben, ha tájékoztatást kaptak a készülék biztonságos használatáról, és megértették a használattal járó veszélyeket. Gyermek a készülékkel nem játszhatnak. A készülék tisztítását és felhasználói karbantartását nem végezheti gyermek, kivéve, ha legalább 8 éves és a tevékenységet felügyelet mellett végzi.

Tartsa a készüléket és annak tápvezetékét 8 évnél fiatalabb gyermekek által el nem érhető helyen.

Soha ne használja a készüléket konyhaszekrény, függöny vagy más gyúlékony anyag alatt.

A készüléket soha ne működtesse külső időzítővel vagy külön távirányítós rendszerrel.

⚠ Használat közben ne érintse meg a fémből készült alkatrészeket, mivel azok rendkívül felforrósodhatnak.

A készüléket soha ne használja a rendeltetésétől eltérő célra. A készülék kizárólag háztartási célra használható. A szabadban ne használja a készüléket.

Ha a vezeték sérült, annak cseréjét a veszély elkerülése érdekében a gyártó, szakszerviz vagy képesített szakember végezze el.

- A konnektorral való érintkezés, illetve a készülék bekapcsolása során a keze mindig legyen száraz.
- A készüléket mindig stabil, biztonságos, száraz és egyenes felületen használja.
- Különösen óvatosan járjon el, ha a berendezést olyan felületen használja, amelyben kárt tehet a közvetlen hőhatás. Ilyen esetben helyezzen a berendezés alá valamilyen hőszigetelő lapot.

- A készüléket ne helyezze potenciálisan forró felületekre vagy azok közelébe (pl. gázzal vagy villannyal működő főzőlap).
- A vezeték soha ne lógjon munkafelület széle fölé, ne érintkezzen forró felületekkel, illetve ne hagyja azt összebogozódni, beakadni vagy beszorulni.
- Ne használja a készüléket, ha azt leejtették, vagy ha az láthatóan megsérült.
- Ügyeljen arra, hogy használat után, a gofrisütő lapok kivétele és visszahelyezése előtt, valamint tisztítás előtt a készülék ki legyen kapcsolva és ki legyen húzva a konnektorból.
- Tisztítás vagy tárolás előtt mindig hagyja kihűlni a készüléket.
- Ne merítse vízbe vagy bármilyen folyadékba a készülék fő egységét, a tápkábelét vagy a csatlakozódugót.
- A működő készüléket soha ne hagyja felügyelet nélkül.

ALKATRÉSZEK

- 1 Zár
- 2 Fogantyú
- 3 Pozícionáló nyílások
- 4 Fűtőelemek
- 5 Bekapcsolást jelző lámpa (zöld)
- 6 Sütésre kész állapotot jelző lámpa (sárga)
- 7 Kioldó gombok
- 8 DuraCeramic™ bevonatú gofrisütő lapok (2 db)
- 9 Pozícionáló fülek

AZ ELSŐ HASZNÁLAT ELŐTT

- Vegye ki a gofrisütőt a csomagolásból. A csomagolást megőrizheti, hátha később szükség lesz rá.
- A gyártási folyamatból esetlegesen visszamaradt szennyeződések vagy maradványok eltávolítása érdekében vegye ki és mossa el alaposan a gofrisütő lapokat (lásd a *Tisztítás* részben leírt utasításokat).
- Tisztítsa meg a gofrisütő külső felületét puha, nedves ruhával. A fedelet puha, száraz ruhával fényesítheti.

Amikor első alkalommal használja a gofrisütőt, enyhe égett szagot érezhet és egy kevés füstöt is tapasztalhat. Ez teljesen normális jelenség és hamar elmúlik.

JELLEMZŐK

DuraCeramic™ bevonatú gofrisütő lapok

A gofrisütő lapok exkluzív DuraCeramic™ bevonattal vannak ellátva. Ez a speciális természetes kerámia bevonat a hagyományos tapadásmentes bevonatokhoz képest gyorsabb és hatékonyabb hőátadásra képes, ami lerövidíti az ízletes házi készítésű ételek főzési idejét. Mindemellett a DuraCeramic™ bevonat még karcolásálló is – ez a termék valóban tartós használatra készült. Ön teljes nyugalommal használhatja a grillsütőt, hiszen a DuraCeramic™ bevonat PTFE- és PFOA-mentes; ez az exkluzív bevonat tartós és könnyen tisztítható.

A DuraCeramic™ bevonat könnyedén megbirkózik minden feladattal.

A GOFRISÜTŐ HASZNÁLATA

▲ Ügyeljen a forró felületekre. A gofrisütő lapok nagyon felforrósodhatnak. **NE ÉRINTSE MEG** a készülék egyik alkatrészét sem, illetve ne próbálja meg kivenni vagy visszahelyezni a gofrisütő lapokat, amíg azok teljesen le nem hűtek.

Sütés közben a gofrisütőből gőz szabadulhat fel.

A működő gofrisütőt soha ne hagyja felügyelet nélkül.

1. Dugja be a gofrisütőt a konnektorbá, és amennyiben szükséges, kapcsolja be a konnektort. Ekkor kigyullad a bekapcsolt állapotot jelző zöld lámpa és a gofrisütő melegegdeni kezd.
2. Amikor a gofrisütő teljesen felmelegedett, kigyullad a sütésre kész állapotot jelző sárga lámpa. Ez a lámpa a sütés közben időnként kigyullad, majd újra elalszik.
3. Nyissa ki a fogantyún található zárat és nyissa fel a fedelet.
4. Óvatosan öntse rá a tésztakeveréket az alsó gofrisütő lapra. A tökéletes állagú gofrihoz javasolt egy merőkanálnyi (kb. 75 ml) tésztakeveréket önteni a gofrisütő lap mindkét tálcájának a közepébe. Ügyeljen arra, hogy ne töltse túl a gofrisütő lapot, mert a keverék kifolyhat a lap széleinél.
5. Csukja le a fedelet. Sütés közben **NE** zárja vissza a zárat. Így a gofrisütő meg tud kelni és a gőz ki tud szabadulni (megfigyelheti, hogy a tészta kelésével párhuzamosan a fedél egy kicsit megemelkedik). Süsse a gofrit a receptben megadott ideig.
6. A sütés befejeztével nyissa fel a fedelet. Használjon konyharuhát vagy konyhai kesztyűt, mivel felnyitáskor a készülékből gőz szabadulhat ki. Egy nem fém spatulával vegye ki a gofrit a készülékből. Ne használjon erre a célra fémből készült eszközt, mivel könnyen megsértheti a sütőlapok DuraCeramic™ bevonatát.
7. Húzza ki a gofrisütőt a konnektorból. Használaton kívül ne hagyja bedugva a gofrisütőt.

TISZTÍTÁS

▲ Tisztítás előtt húzza ki a konnektorból és kapcsolja ki a gofrisütőt, majd hagyja teljesen lehűlni. Soha ne merítse vízbe vagy bármilyen folyadékba a készülék fő egységét, a tápkábelt vagy a csatlakozódugót.

A gofrisütő tisztítása során ne használjon fémsúrolót, durva felületű szivacsot, dörzsölő hatású tisztítószerket és fém eszközöket.

1. Nedvszívó papírral vagy puha, nedves ruhával törölje át a gofrisütő lapokat.
2. Tisztítsa meg a gofrisütő külső felületét puha, nedves ruhával. A fedelet puha, száraz ruhával fényesítheti.
3. Egyszerre csak egy sütőlapot vegyen ki. Nyomja meg a megfelelő kioldógombot, és emelje le a sütőlapot a fűtőelemről.

4. Merítse a sütőlapokat meleg, mosószeres vízbe. Tiszta vízzel öblítse le. Puha ruhával törölje szárazra. Figyelem: Javasoljuk, hogy a DuraCeramic™ bevonat megóvása érdekében a sütőlapokat kizárólag kézzel mosogassa.
5. Egyszerre csak egy sütőlapot helyezzen vissza. Illeszze bele a pozicionáló füleket a gofrisütő csuklópántos oldalán található nyílásokba. Finoman nyomja le a sütőlapot, hogy a helyére illeszkedjen a fűtőelemen. Figyelem: Az alsó sütőlap kissé sekélyebb, mint a felső. A sütőlapok kizárólag a megfelelő helyekre illeszthetők a gofrisütőn (alulra vagy felülre).

TÁROLÁS

- Tárolás előtt várja meg, amíg a gofrisütő teljesen lehűl, és tisztítsa meg a készüléket.
- A fogantyún lévő zár lezárásával rögzítse egymáshoz a gofrisütő lapokat. Hajtogassa bele a kábelt a kábeltartóba.
- A készüléket függőleges helyzetben tárolja. Tárolhatja sík, vízszintes felületen is, a szélektől távol olyan helyen, ahonnan nem lehet könnyen levern.

TANÁCSOK ÉS TIPPEK

- Klasszikus és luxus gofri készítésénél ügyeljen arra, hogy ne keverje túl a tésztát. Ezek a tészták akkor jók, ha egy kicsit darabosak. A túl sima tésztától a gofri rágós lesz és nem kel meg rendszeren.
- Ha 1-nél több sütet gofrit készít, tartsa melegen az elkészült gofrikat a sütőben, amíg a többi is elkészül. Egy rétegben helyezze őket egy tepsire, és tegye be az alacsony hőfokra állított sütőbe. Így mindenki egyszerre fogyaszthatja a gofriját.
- A gofrikat egyszerűen lefagyaszthatja és újramelegítheti. Hagyja őket teljesen kihűlni, majd tegyen egymásra 2 gofrit úgy, hogy sütőpapírt tesz közéjük. Csomagolja be fóliába vagy fagyasztózacskóba, és fagyassza le. A felmelegítéshez csak tegye be gofrikat a gofrisütőbe.

RECEPTEK

Klasszikus gofri – 12 darabhoz

- 280 g finomliszt
- 2 teáskanál sütőpor
- 50 g finomszemcséjű kristálycukor
- 1 teáskanál só
- 425 ml tej
- 1 teáskanál vanília kivonat
- 3 nagy tojás
- 125 g olvasztott vaj

1. Egy tálban keverje össze a lisztet, a sütőport, a cukrot és a sót.
2. Egy másik tálban verje fel a tojásokat a tejjel és a vanília kivonattal.
3. Készítsen mélyedést a száraz hozzávalók közepében, és öntse bele a tejes keveréket és a vajat. Keverje tovább a hozzávalókat, de csak addig, amíg éppen elegyednek; jó, ha tészta egy kicsit darabos marad. Ne keverje túl. A legjobb eredmény érdekében hagyja a tésztakeveréket néhány percig pihenni.
4. Melegítse elő a gofrisütőt a sütésre kész állapotot jelző lámpa kigyulladásáig.
5. Fújja be a gofrisütő lapokat egy kevés olajos sütőspray-el, majd öntsön bele kb. 75 ml tésztakeveréket a gofrisütő lap mindkét tálcájának a közepébe. A keveréket egyenletesen oszlassa el.
6. Hajtsa le a fedelet, de ne zárja vissza a zárat. Süsse a tésztát körülbelül 7 percig, amíg aranybarna színt nem kap.

Tegyen a tetejére görög joghurtot, friss bogyós gyümölcsöket és egy kevés mézet – így igazán finom lesz.

Luxus gofri – 12 darabhoz

- 250 g finomliszt
- 2 teáskanál sütőpor
- 1 evőkanál cukor
- ½ teáskanál só
- 3 tojás felvert sárgája
- 3 tojás kemény habbá vert fehérje
- 400 ml tej
- 115 ml növényi olaj

1. Egy tálban keverje össze a lisztet, a sütőport, a cukrot és a sót.
2. Egy másik tálban verje fel a tojások sárgáját a tejjel és a növényi olajjal.
3. Készítsen mélyedést a száraz hozzávalók közepében, és öntse bele a tejes keveréket. Keverje tovább a hozzávalókat, de csak addig, amíg éppen elegyednek; jó, ha tészta egy kicsit darabos marad. Ne keverje túl.
4. Óvatosan forgassa bele a keverékbe a felvert tojásfehérjét, de csak addig, amíg éppen elegyedik; ne keverje túl a tésztát.
5. Melegítse elő a gofrisütőt a sütésre kész állapotot jelző lámpa kigyulladásáig.

6. Fújja be a gofrisütő lapokat egy kevés olajos sütőspray-el, majd öntsön bele kb. 75 ml tésztakeveréket a gofrisütő lap mindkét tálcájának a közepébe. A keveréket egyenletesen oszlassa el.
7. Hajtsa le a fedelet, de ne zárja vissza a zárat. Süsse a tésztát körülbelül 7 percig, amíg aranybarna színt nem kap.

Próbálja ki a citromkrémes habcsókos gofrit is! Csak tegyen a gofri tetejére citromkrémet, összetört habcsókot és tejszínhabot.

Csokoládés gofri – 12 darabhoz

- 200 g finomliszt
- 100 g finomszemcséjű kristálycukor
- 45 g kakaópor
- 1 teáskanál só
- ½ teáskanál szódadikarbóna
- 450 ml tej
- 1 teáskanál vanília kivonat
- 3 nagy tojás
- 60 g olvasztott vaj lehűtve
- 110 g étcsokoládé csepp

1. Egy tálban keverje össze a lisztet, a cukrot, a kakaóport, a sót és a szódadikarbónát.
2. Egy másik tálban verje fel a tojásokat a tejjel és a vanília kivonattal.
3. Készítsen mélyedést a száraz hozzávalók közepében, és öntse bele a tejes keveréket és a vajat. Keverje össze a tésztát a sima állag eléréseig.
4. Keverje bele a csokoládé cseppeket.
5. Melegítse elő a gofrisütőt a sütésre kész állapotot jelző lámpa kigyulladásáig.
6. Fújja be a gofrisütő lapokat egy kevés olajos sütőspray-el, majd öntsön bele kb. 75 ml tésztakeveréket a gofrisütő lap mindkét tálcájának a közepébe. A keveréket egyenletesen oszlassa el.
7. Hajtsa le a fedelet, de ne zárja vissza a zárat. Süsse a tésztát kb. 7 percig.

Próbálja ki a következőt: tegyen a gofirra vaníliafagylaltot, zúzott pisztáciát és friss epret.

Chías sokgabonás gofri – 6 darabhoz

- 250 ml író
- 190 ml tej
- 50 g hagymacsatni
- 1 egész felvert tojás
- 2 evőkanál chia mag
- 1 teáskanál vanília kivonat
- 160 g teljes kiőrlésű liszt
- 40 g lapított zabpehely
- 25 g őrölt mandula
- 2 teáskanál sütőpor
- 2 teáskanál cukor
- ¼ teáskanál só

1. Egy közepes méretű tálban keverje össze az író, a tejet, a hagymacsatnit, a tojást, a chia magokat és a vanília kivonatot.

Pihentesse a keveréket 2 percig, hogy a chia magok magukba szívják a nedvességet és megdagadjanak.

2. Egy másik tálban keverje össze a lisztet, a gabonaféléket, az őrölt mandulát, a sütőport, a cukrot és a sót.
3. Készítsen mélyedést a száraz hozzávalók közepében, öntsé bele a tejes keveréket, és keverje addig, amíg sűrű, sima tésztát nem kap.
4. Melegítse elő a gofrisütőt a sütésre kész állapotot jelző lámpa kigyulladásáig.
5. Fújja be a gofrisütő lapokat egy kevés olajos sütőspray-vel, majd öntsön bele kb. 75 ml tésztakeveréket a gofrisütő lap mindkét tálcájának a közepébe. A keveréket egyenletesen oszlassa el.
6. Hajtsa le a fedelet, de ne zárja vissza a zárat. Süssé a tésztát körülbelül 7 percig, amíg aranybarna színt nem kap.

Ha bármikor fogyasztható egészséges falatokra vágyik, találja a gofrit párolt spenóttal és buggyantott tojással.

Burgonyás gofri – 6 darabhoz

- 2 evőkanál vaj
- 1 vöröshagyma, finomra aprítva
- 1 teáskanál finomra aprított fokhagyma
- 360 g tört burgonya
- 30 g finomliszt
- 2 tojás
- ¼ teáskanál só
- ¼ teáskanál őrölt fekete bors

1. Pírítsa puhulásig a hagymát és fokhagymát a vajban (kb. 5–7 perc).
2. Tegye a tört burgonyát egy tálba, majd adja hozzá a hagymakeveréket, a lisztet, a tojásokat és a fűszereket. Keverje jól össze, hogy sima, sűrű tésztát kapjon.
3. Melegítse elő a gofrisütőt a sütésre kész állapotot jelző lámpa kigyulladásáig.
4. Fújja be a gofrisütő lapokat egy kevés olajos sütőspray-vel, majd öntsön bele kb. 75 ml tésztakeveréket a gofrisütő lap mindkét tálcájának a közepébe. A keveréket egyenletesen oszlassa el.
5. Hajtsa le a fedelet, de ne zárja vissza a zárat. Süssé a tésztát körülbelül 7 percig, amíg aranybarna színt nem kap.

Próbálja ki a következőt: találja a burgonyás gofrit vékonyra szeletelt steakkel és borsmustáros-balsamecetes öntettel.

GARANCIA

Kérjük, őrizze meg nyugtáját, mivel a jelen jótállás érvényesítéséhez szükségesé lesz rá.

A termékre a jelen dokumentumban leírtak szerint a vásárlás dátumától számított 2 évre jótállást nyújtunk.

Amennyiben a jótállási időszak alatt készüléke esetleg konstrukciós vagy gyártási hiba miatt meghibásodna, kérjük, hogy a pénztári nyugtával és a jelen jótállással együtt vigye vissza az üzletbe, ahol vásárolta.

A jelen jótállás szerinti jogok és előnyök kiegészítik az Ön törvény szerinti jogait, és azokat a jelen jótállás nem befolyásolja. A jelen feltételek változtatására kizárólag a Jarden Consumer Solutions (Europe) Limited („JCS (Europe)”) jogosult.

A JCS (Europe) vállalja, hogy a jótállási időszak alatt a készüléket vagy annak bármely helytelen működésű részét megjavítja vagy kicseréli, feltéve, hogy:

- Ön azonnal értesíti a problémáról a vásárlás helyét vagy a JCS (Europe)-t, és
- a készüléket a JCS (Europe) által meghatalmazott személyen kívül senki semmilyen módon nem változtatta meg, nem használta rendellenes vagy nem üzemszerű módon, nem javította és nem módosította.

A jelen jótállás nem vonatkozik olyan hibákra, amelyek oka helytelen vagy nem üzemszerű használat, sérülés, helytelen tápfeszültség, természeti ok, a JCS (Europe) hatókörén kívüli esemény, nem a JCS (Europe) meghatalmazottja általi javítás vagy módosítás, vagy a használati utasítások be nem tartása. Ezenfelül a jelen jótállás nem vonatkozik a szokásos elhasználódásra, többek között a kismértékű elszineződésre és karcolásokra sem.

A jelen jótállás szerinti jogok kizárólag az eredeti vásárlót illetik meg, és nem terjednek ki a kereskedelmi célú vagy közösségi használatra.

Ha készülékéhez országspecifikus garancia- vagy szavatossági dokumentum van mellékelve, akkor annak feltételeit tekintse érvényesnek a jelen garancia feltételei helyett, vagy kérjen további tájékoztatást a meghatalmazott helyi kereskedőtől.

A kiselejtezett elektromos termékeket nem szabad a háztartási hulladékkal együtt kidobni. Ezeket újra kell hasznosítani, ha van rá lehetőség. Ha bővebb információt szeretne az újrahasznosítással és a WEEE direktívával kapcsolatban, írjon nekünk az enquiriesEurope@jardencs.com címre.

Jarden Consumer Solutions (Europe) Limited
5400 Lakeside
Cheadle Royal Business Park
Cheadle
SK8 3GQ
United Kingdom



INFORMAȚII IMPORTANTE PRIVIND SIGURANȚA

CITIȚI ACESTE INSTRUCȚIUNI ÎNAINTE DE A UTILIZA APARATUL ȘI PĂSTRAȚI-LE PENTRU CONSULTARE VIITOARE.

Acest aparat poate fi utilizat de copiii cu vârsta de peste 8 ani și de persoane cu capacități fizice, senzoriale sau mentale reduse sau lipsă de experiență și cunoștințe, cu condiția ca aceștia să fie supravegheați sau instruiți în privința utilizării în siguranță a aparatului și să fi înțelese pericolele implicate. Copiii nu trebuie să se joace cu acest produs. Curățarea și întreținerea de către utilizator nu vor fi efectuate de copii, cu excepția cazului în care au peste 8 ani și sunt supravegheați.

Nu lăsați aparatul și cablul la îndemâna copiilor cu vârsta mai mică de 8 ani.

Nu utilizați niciodată aparatul sub dulapuri, perdele sau alte materiale inflamabile.

Nu utilizați niciodată aparatul prin intermediul unui temporizator extern sau al unei telecomenzi.

⚠ Nu atingeți piesele metalice ale aparatului în timpul utilizării deoarece acestea se pot înfierbânta foarte tare.

Nu utilizați niciodată aparatul în scopuri diferite de destinația de utilizare prevăzută a acestuia. Acest aparat este destinat exclusiv uzului casnic. Nu utilizați acest aparat în exterior.

Pentru evitarea pericolelor, în cazul deteriorării cablului de alimentare, acesta trebuie înlocuit de producător, de personalul autorizat de service sau de alte persoane calificate.

- Asigurați-vă întotdeauna că aveți mâinile uscate înainte de a manevra ștecherul sau de a porni aparatul.
- Utilizați întotdeauna aparatul pe o suprafață stabilă, sigură, uscată și plană.
- Este necesară o atenție deosebită la utilizarea aparatului pe suprafețe care pot fi deteriorate de căldură. Se recomandă folosirea unei plăci izolate.
- Acest aparat nu trebuie plasat pe sau lângă suprafețe care pot atinge temperaturi înalte (cum ar fi plitele cu gaz sau electrice).

- Nu lăsați niciodată cablul de alimentare să atârne peste marginea unui blat de lucru, să atingă suprafețe fierbinți sau să fie înnodat, prins sau strivit.
- Nu utilizați aparatul dacă a fost scăpat pe jos sau dacă prezintă semne vizibile de deteriorare.
- Asigurați-vă că aparatul este oprit și deconectat de la priza de alimentare după utilizare, înainte de demontarea sau înlocuirea plăcilor pentru gofre și înainte de curățare.
- Lăsați întotdeauna aparatul să se răcească înainte de curățarea sau depozitarea acestuia.
- Nu scufundați corpul principal, cablul sau ștecherul în apă sau în alt lichid.
- Nu lăsați niciodată aparatul nesupravegheat în timpul funcționării.

COMPONENTE

- 1 Încuietoare
- 2 Mâner
- 3 Fante de poziționare
- 4 Elemente de încălzire
- 5 Indicator luminos de alimentare (verde)
- 6 Indicator luminos de disponibilitate (portocaliu)
- 7 Butoane de eliberare
- 8 Plăci pentru gofre cu strat de acoperire DuraCeramic™ (x2)
- 9 Aripioare de poziționare

ÎNAINTE DE PRIMA UTILIZARE

- Despachetați aparatul pentru gofre. Puteți păstra ambalajul pentru utilizare ulterioară.
- Scoateți și spălați bine plăcile pentru gofre, pentru a îndepărta impuritățile și reziduurile care pot rămâne după fabricație (urmați indicațiile din secțiunea *Curățarea*).
- Curățați exteriorul aparatului pentru gofre folosind o lavetă moale, umedă. Capacul se poate lustrui cu o lavetă moale și uscată.

Vă atragem atenția că, la prima utilizare a aparatului pentru gofre, este posibil să simțiți un miros ușor de ars și puțin fum. Acest lucru este perfect normal și va dispărea în scurt timp.

FUNCȚII

Plăci pentru gofre cu strat DuraCeramic™

Plăcile pentru gofre sunt acoperite cu stratul unic DuraCeramic™. Acest strat ceramic natural special este conceput în așa fel încât să transfere căldura mai rapid și mai eficient decât straturile neaderente standard, ceea ce înseamnă că gustările delicioase preparate acasă sunt gata mai repede. În plus, stratul DuraCeramic™ este rezistent la zgâriere – acest produs are o durată de viață îndelungată. Siguranța și ușurința în utilizare este asigurată de faptul că stratul DuraCeramic™ nu conține PTFE (politetrafluoretilenă) și PFOA (acid perfluoro-octanoic) și că acest strat exclusiv este rezistent și ușor de curățat.

DuraCeramic™ – un strat de acoperire conceput pentru a rezista la orice provocare.

UTILIZAREA APARATULUI PENTRU GOFRE

▲ Nu atingeți suprafețele fierbinți. Plăcile pentru gofre ating temperaturi foarte înalte. NU ATINGEȚI nicio componentă și nu încercați să demontați sau să înlocuiți plăcile pentru gofre înainte de răcirea completă a aparatului.

În timpul preparării, pe la marginile aparatului pentru gofre poate ieși abur.

Nu lăsați niciodată aparatul pentru gofre nesupravegheat în timpul funcționării.

1. Conectați aparatul pentru gofre la priza de alimentare și porniți priza de la întrerupător, dacă este cazul. Ledul verde de alimentare se va aprinde, iar aparatul pentru gofre va începe să se încălzească.
2. Când aparatul pentru gofre este complet încălzit, se va aprinde ledul portocaliu care indică disponibilitatea. Acest led se va aprinde și se va stinge în timpul preparării.
3. Deblocați încuietorea de pe mâner și deschideți capacul.
4. Turnați cu grijă aluatul în placa inferioară pentru gofre. Pentru o gofră perfectă, vă recomandăm să turnați un polonic (cca 75 ml) în centrul fiecărei celule a plăcii pentru gofre. Evitați umplerea excesivă a plăcii pentru gofre, deoarece amestecul se poate revărsa peste marginile acesteia.
5. Închideți capacul. NU blocați încuietorea în timpul preparării. Acest lucru permite creșterea aluatului și eliberarea aburului (puteți observa capacul ridicându-se ușor pe măsură ce aluatul de gofre crește). Preparați gofra conform timpului indicat în rețetă.
6. La sfârșit, deschideți capacul. Aveți grijă la aburul care iese; folosiți un șervet sau purtați mănuși pentru cuptor. Scoateți gofra cu o spatulă nemetalică. Nu folosiți o lamă metalică, deoarece aceasta va deteriora suprafața DuraCeramic™ a plăcilor.
7. Deconectați aparatul pentru gofre de la priza electrică. Nu lăsați aparatul pentru gofre conectat la priză atunci când nu îl utilizați.

CURĂȚAREA

▲ Opriți aparatul pentru gofre, deconectați-l de la priză și lăsați-l să se răcească complet înainte de a îl curăța. Nu scufundați corpul principal, cablul sau ștecherul în apă sau în alt lichid.

Nu utilizați niciodată bureții din sârmă, lavete abrazive, substanțe de curățare abrazive sau ustensile metalice pentru a curăța aparatul pentru gofre.

1. Ștergeți plăcile pentru gofre cu hârtie absorbantă sau cu o lavetă moale, umedă.
2. Curățați exteriorul aparatului pentru gofre folosind o lavetă moale, umedă. Capacul se poate lustrui cu o lavetă moale și uscată.
3. Demontați plăcile pe rând. Apăsăți butonul de eliberare corespunzător și ridicați placa de pe elementul de încălzire.
4. Scufundați plăcile în apă călduță cu săpun. Clătiți cu apă curată. Uscați prin ștergere cu o lavetă moale.
Notă: Recomandăm spălarea manuală a plăcilor, care va permite protejarea stratului DuraCeramic™.
5. Instalați plăcile pe rând. Ghidați aripioarele de poziționare în fantele aflate pe partea cu balamale a aparatului pentru gofre. Presați ușor placa în poziție, pe elementul de încălzire.
Notă: Placa de jos este puțin mai subțire decât cea de sus. Plăcile pot fi montate numai în poziția corespunzătoare (superioară sau inferioară) de pe aparatul pentru gofre.

DEPOZITAREA

- Lăsați aparatul pentru gofre să se răcească complet și asigurați-vă că este curat înainte de a îl depozita.
- Blocați plăcile pentru gofre cu ajutorul încuietorii. Înfășurați cablul de alimentare în zona de depozitare a acestuia.
- Depozitați aparatul în poziție verticală. Alternativ, o puteți depozita pe o suprafață plată și orizontală, la distanță de margine, într-o poziție din care nu poate fi răsturnată cu ușurință.

SFATURI ȘI RECOMANDĂRI

- Atunci când pregătiți aluatul pentru gofre clasice și de lux, nu amestecați prea mult. În mod ideal, aceste aluaturi trebuie să rămână puțin neomogenizate. Un aluat omogen va avea ca rezultat gofre greu de mestecat, care nu vor crește bine.
- Dacă preparați mai multe serii de gofre, le puteți păstra calde în cuptor până ce vor fi gata toate seriile. Aranjați-le într-un singur strat pe o tavă de cuptor și introduceți-le în cuptorul reglat la temperatură redusă. În acest mod, toată lumea se va putea bucura de gofre în același timp.
- Gofrele sunt ușor de congelat și reîncălzit. Lăsați-le să se răcească complet, apoi așezați 2 gofre una peste cealaltă, cu o bucată de hârtie de copt între ele. Înfășurați-le în folie de plastic sau introduceți-le într-o pungă de congelator. Pentru a le reîncălzi, este suficient să introduceți gofrele congelate în prăjitorul de pâine.

REȚETE

Gofre clasice – pentru 12 buc.

- 280 g de făină simplă
- 2 lingurițe de praf de copt
- 50 g zahăr pudră
- 1 linguriță de sare
- 425 ml de lapte
- 1 linguriță de esență de vanilie
- 3 ouă mari
- 125 g de unt topit

1. Amestecați făina, praful de copt, zahărul și sarea într-un vas.
2. Bateți laptele, esența de vanilie și ouăle într-un alt vas.
3. Realizați o cavitate în ingredientele uscate și adăugați amestecul de lapte, împreună cu untul. Bateți ingredientele până ce acestea abia încep să se amestece; aluatul va fi încă neomogenizat. Nu amestecați prea mult. Pentru rezultate optime, lăsați aluatul câteva minute.
4. Preîncălziți aparatul pentru gofre până când se aprinde indicatorul de disponibilitate.
5. Ungeți ambele plăci pentru gofre folosind un spray cu ulei alimentar, apoi turnați uniform cca 75 ml de aluat în centrul fiecărei celule a plăcii pentru gofre.
6. Coborâți capacul, însă nu blocați încuietoarea. Lăsați gofra la preparat timp de aproximativ 7 minute, până ce devine aurie.

Aceasta va fi delicioasă dacă este servită cu iaurt grecesc, fructe de pădure proaspete și puțină miere.

Gofre de lux – pentru 12 buc.

- 250 g de făină simplă
- 2 lingurițe de praf de copt
- 1 lingură de zahăr
- ½ linguriță de sare
- 3 gălbenușuri de ou, bătute
- 3 albușuri de ou, bătute spumă tare
- 400 ml de lapte
- 115 ml ulei vegetal

1. Amestecați făina, praful de copt, zahărul și sarea într-un vas.
2. Bateți laptele, gălbenușurile de ou și uleiul vegetal într-un vas separat.
3. Realizați o cavitate în ingredientele uscate și adăugați amestecul de lapte. Bateți ingredientele până ce acestea abia încep să se amestece; aluatul va fi încă neomogenizat. Nu amestecați prea mult.
4. Introduceți cu grijă în amestec albușurile de ou bătute, până ce acestea încep să se combine cu restul ingredientelor; nu amestecați prea mult.
5. Preîncălziți aparatul pentru gofre până când se aprinde indicatorul de disponibilitate.
6. Ungeți ambele plăci pentru gofre folosind un spray cu ulei alimentar, apoi turnați uniform cca 75 ml de aluat în centrul fiecărei celule a plăcii pentru gofre.

7. Coborâți capacul, însă nu blocați încuietoarea. Lăsați gofra la preparat timp de aproximativ 7 minute, până ce devine aurie.

Ce-ar fi să încercați gofrele cu beza și lămâie? Este suficient să acoperiți gofra cu cremă de lămâie, bezele zdrobite și frișcă.

Gofră cu ciocolată – pentru 12 buc.

- 200 g de făină simplă
- 100 g zahăr pudră
- 45 g pudră de cacao
- 1 linguriță de sare
- ½ linguriță bicarbonat de sodiu
- 450 ml de lapte
- 1 linguriță de esență de vanilie
- 3 ouă mari
- 60 g unt topit și răcit
- 110 g fulgi de ciocolată simpli

1. Amestecați făina, zahărul, pudra de cacao, sarea și bicarbonatul de sodiu într-un vas.
2. Bateți laptele, esența de vanilie și ouăle într-un alt vas.
3. Realizați o cavitate în ingredientele uscate și adăugați amestecul de lapte, împreună cu untul. Amestecați până ce aluatul este bine omogenizat.
4. Adăugați fulgii de ciocolată și amestecați.
5. Preîncălziți aparatul pentru gofre până când se aprinde indicatorul de disponibilitate.
6. Ungeți ambele plăci pentru gofre folosind un spray cu ulei alimentar, apoi turnați uniform cca 75 ml de aluat în centrul fiecărei celule a plăcii pentru gofre.
7. Coborâți capacul, însă nu blocați încuietoarea. Lăsați la preparat timp de cca 7 minute.

Ce spuneți de puțină înghețată de vanilie, fistic zdrobit și zmeură proaspătă ca sugestie de servire?

Gofre multocereale cu chia – pentru 6 buc.

- 250 ml lapte bătut
 - 190 ml lapte
 - 50 g chutney de ceapă
 - 1 ou bătut
 - 2 linguri de semințe de chia
 - 1 linguriță de esență de vanilie
 - 160 g de făină integrală
 - 40 g fulgi de ovăz
 - 25 g migdale măcinate
 - 2 lingurițe de praf de copt
 - 2 lingurițe zahăr
 - ¼ linguriță de sare
1. Amestecați laptele bătut, laptele, chutney-ul de ceapă, oul, semințele de chia și esența de vanilie într-un vas de dimensiuni medii. Lăsați amestecul timp de 2 minute pentru a permite îmbibarea și îngroșarea semințelor de chia cu amestecul.
 2. Amestecați făina, fulgii de ovăz, migdalele măcinate, praful de copt, zahărul și sarea într-un vas separat.

- Realizați o cavitate în ingredientele uscate și adăugați amestecul de lapte; apoi, amestecați până ce obțineți un aluat gros și omogen.
- Preîncălziți aparatul pentru gofre până când se aprinde indicatorul de disponibilitate.
- Ungeți ambele plăci pentru gofre folosind un spray cu ulei alimentar, apoi turnați uniform cca 75 ml de aluat în centrul fiecărei celule a plăcii pentru gofre.
- Coborâți capacul, însă nu blocați încuietoarea. Lăsați gofra la preparat timp de aproximativ 7 minute, până ce devine aurie.

Pentru o gustare sănătoasă în orice moment al zilei, ce-ar fi să serviți aceste gofre cu spanac călit și un ou poșat moale?

Gofre cu cartofi – pentru 6 buc.

- 2 linguri de unt
 - 1 ceapă tăiată fin
 - 1 linguriță de usturoi tocat fin
 - 360 g de piure de cartofi
 - 30 g de făină simplă
 - 2 ouă
 - ¼ linguriță de sare
 - ¼ linguriță de piper negru măcinat
- Căliți ușor ceapa și usturoiul în unt până ce se înmoaie (cca 5–7 minute).
 - Adăugați într-un vas piureul de cartofi, amestecul de ceapă, făina, ouăle și condimentele. Amestecați bine pentru a obține un aluat gros, omogen.
 - Preîncălziți aparatul pentru gofre până când se aprinde indicatorul de disponibilitate.
 - Ungeți ambele plăci pentru gofre folosind un spray cu ulei alimentar, apoi turnați uniform cca 75 ml de aluat în centrul fiecărei celule a plăcii pentru gofre.
 - Coborâți capacul, însă nu blocați încuietoarea. Lăsați gofra la preparat timp de 7 minute, până ce devine aurie.

Ce-ar fi să serviți gofrele de cartofi cu friptură de vită tăiată în felii subțiri, rucola și un sos balsamic?

GARANȚIE

Vă rugăm să păstrați chitanța, prezența acesteia fiind solicitată în cazul oricăror solicitări de reparație acoperite de garanție.

Garanția acestui aparat este de 2 ani de la data achiziției, conform informațiilor din acest document.

În timpul perioadei de garanție, în cazul puțin probabil în care aparatul nu mai funcționează din cauza unei defecțiuni de design sau de fabricație, înapoiați-l magazinului de unde l-ați achiziționat, împreună cu bonul de casă și o copie a acestei garanții.

Drepturile și beneficiile oferite conform acestei garanții sunt suplimentare față de drepturile dvs. legale, care nu sunt afectate de această garanție. Jarden Consumer Solutions (Europe) Ltd. („JCS (Europe)”) își rezervă dreptul de a modifica acești termeni.

JCS (Europe) își asumă, pe perioada garanției, obligația de a repara sau de a înlocui gratuit aparatul sau orice componentă a aparatului care se dovedește a nu funcționa, în următoarele condiții:

- să anunțați imediat magazinul sau JCS (Europe) despre apariția problemei; și
- aparatul să nu fi fost modificat în niciun fel sau să nu fi fost supus deteriorărilor, întrebuințării greșite, abuzurilor, reparațiilor sau modificărilor efectuate de către alte persoane decât cele autorizate de JCS (Europe).

Defecțiunile care apar în urma utilizării neadecvate, deteriorării, abuzului, alimentării la tensiuni neadecvate, catastrofelor naturale, evenimentelor neprevăzute de JCS (Europe), reparației sau modificării de către o altă persoană decât cele autorizate de JCS (Europe) sau nerespectării instrucțiunilor de utilizare nu sunt acoperite de această garanție. În plus, uzura normală, incluzând, fără a se limita la, decolorările minore și zgârieturile nu sunt acoperite de această garanție.

Drepturile prevăzute în această garanție se vor aplica numai primului cumpărător și nu se extind în cazul utilizării comerciale sau comune.

Deșeurile provenite din produsele electrice nu trebuie eliminate împreună cu deșeurile menajere. Vă rugăm să le reciclați dacă aveți această posibilitate. Pentru informații suplimentare privind reciclarea și deșeurile provenite din echipamentele electrice și electronice, contactați-ne prin e-mail la adresa enquiriesEurope@jardencs.com.

Jarden Consumer Solutions (Europe) Limited
5400 Lakeside
Cheadle Royal Business Park
Cheadle
SK8 3GQ
United Kingdom



Breville®

UK: Jarden Consumer Solutions (Europe) Limited
Cheadle Royal Business Park, Cheadle, SK8 3GQ, United Kingdom
e-mail: enquiriesEurope@jardencs.com
Tel: +44 (0)161 621 6900

France: Jarden Consumer Solutions (Europe) Limited
420 Rue D'Estienne D'Orves, 92700 Colombes, France
email: serviceinfoFrance@jardencs.com
Téléphone: +33 (0)1 49 64 20 60

España: Jarden Consumer Solutions (Europe) Limited
Edif. Vázquez Krasnow
C/ Camino de la Zarzuela, 21
1º - Oficina 1B, 28023 – Aravaca, Madrid, España
Tif: +34 90 251 55 88

For Customer Service details, please see the website.
Pour le service consommateurs, veuillez consultez le site web.
Para más información de servicio, por favor visite nuestra página web.

www.breville.eu



© 2016 Jarden Consumer Solutions (Europe) Limited.

All rights reserved. Imported and distributed by Jarden Consumer Solutions (Europe) Limited, 5400 Lakeside, Cheadle Royal Business Park, Cheadle, SK8 3GQ, United Kingdom.
Jarden Consumer Solutions (Europe) Limited is a subsidiary of Newell Brands Inc. (NYSE: NWL).

The product supplied may differ slightly from the one illustrated due to continuing product development.
Printed In China

Tous droits réservés. Distribué par Jarden Consumer Solutions (Europe) Limited, 5400 Lakeside, Cheadle Royal Business Park, Cheadle, SK8 3GQ, Royaume-Uni.
Jarden Consumer Solutions (Europe) Limited est une filiale de Newell Brands Inc. (NYSE: NWL).

En raison du développement continu de nos produits, le produit livré risque de varier légèrement de l'illustration.
Imprimé en Chine

Todos los derechos reservados. Distribuido por Jarden Consumer Solutions (Europe) Limited, 5400 Lakeside, Cheadle Royal Business Park, Cheadle, SK8 3GQ, Reino Unido.
Jarden Consumer Solutions (Europe) Limited es una filial de Newell Brands Inc. (NYSE: NWL).

El producto suministrado puede diferir ligeramente del mostrado en la imagen debido al desarrollo permanente de los productos.
Impreso en China